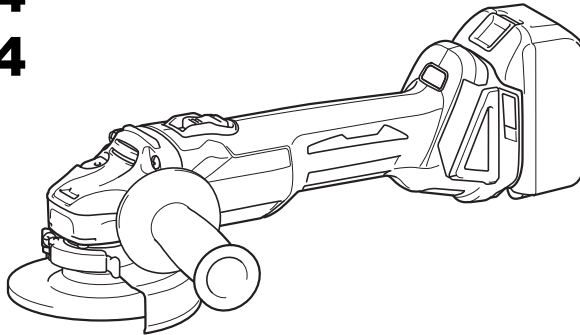




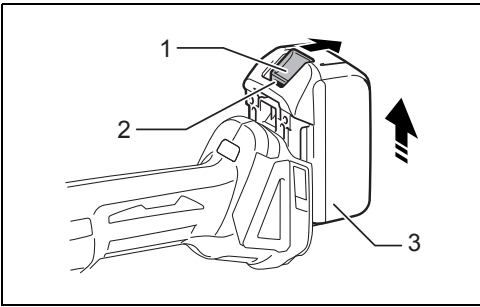
<b>GB</b>	<b>Cordless Angle Grinder</b>	<b>Instruction manual</b>
<b>F</b>	<b>Meuleuse d'Angle sans Fil</b>	<b>Manuel d'instructions</b>
<b>D</b>	<b>Akku-Winkelschleifer</b>	<b>Betriebsanleitung</b>
<b>I</b>	<b>Smerigliatrice angolare a batteria</b>	<b>Istruzioni per l'uso</b>
<b>NL</b>	<b>Haakse accuslijpmachine</b>	<b>Gebruiksaanwijzing</b>
<b>E</b>	<b>Esmeriladora Angular Inalámbrica</b>	<b>Manual de instrucciones</b>
<b>P</b>	<b>Esmerilhadeira Angular a Bateria</b>	<b>Manual de instruções</b>
<b>DK</b>	<b>Ledningsfri vinkelsliber</b>	<b>Brugsanvisning</b>
<b>GR</b>	<b>Φορητός γωνιακός τροχός</b>	<b>Οδηγίες χρήσης</b>
<b>TR</b>	<b>Akülü Avuç Taşlama Makinesi</b>	<b>Kullanım kılavuzu</b>

**DGA404**  
**DGA454**  
**DGA504**



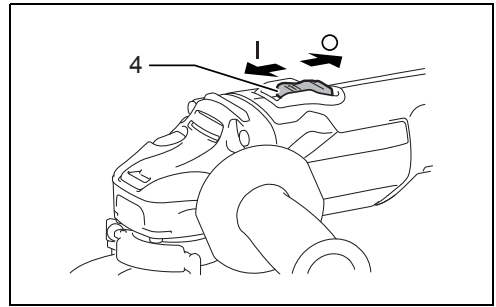
015078





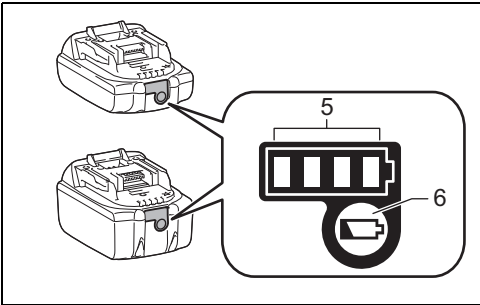
1

015079



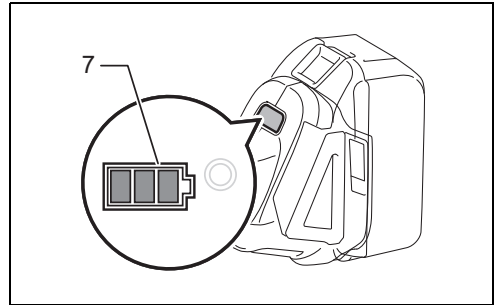
2

015082



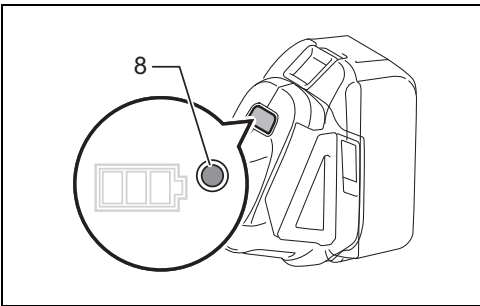
3

1007701



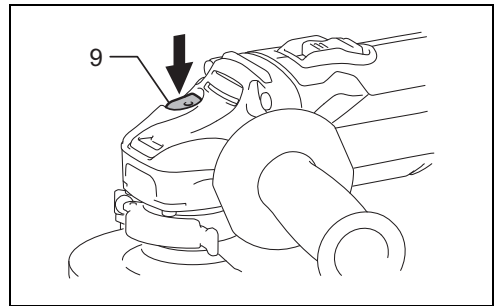
4

015141



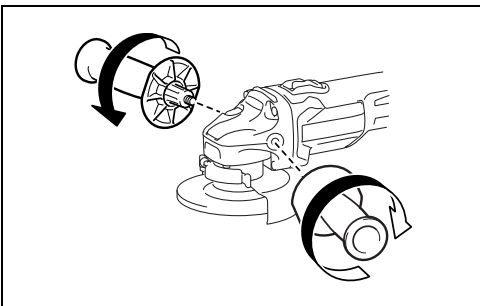
5

015142



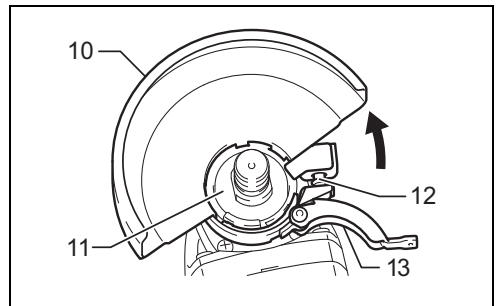
6

015081



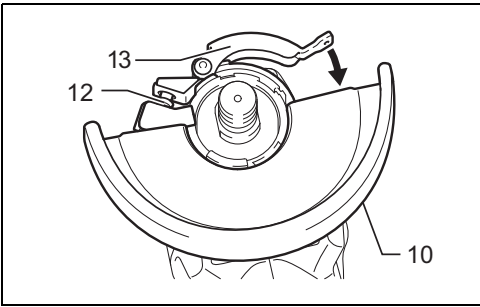
7

015083



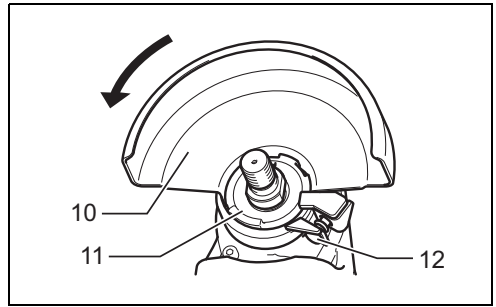
8

015084



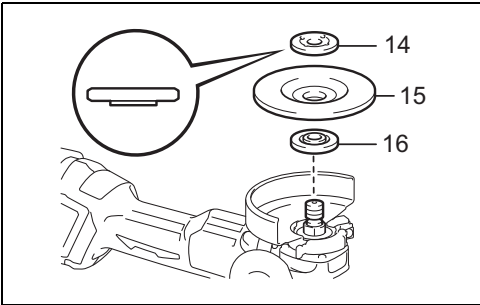
9

015085



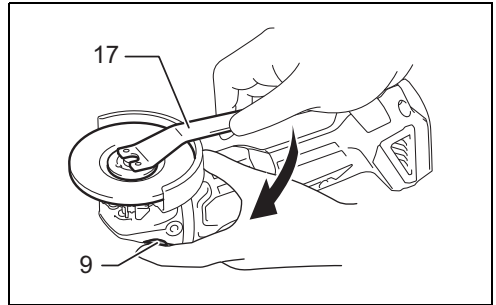
10

015303



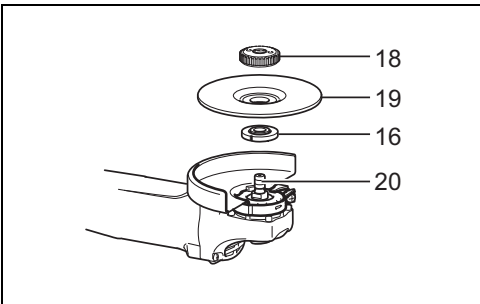
11

015088



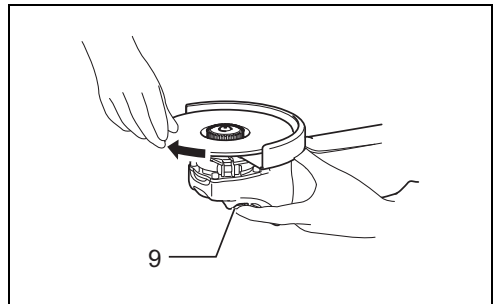
12

015089



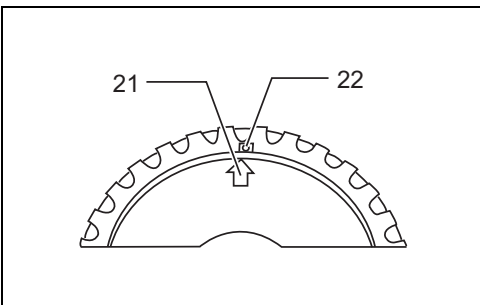
13

012772



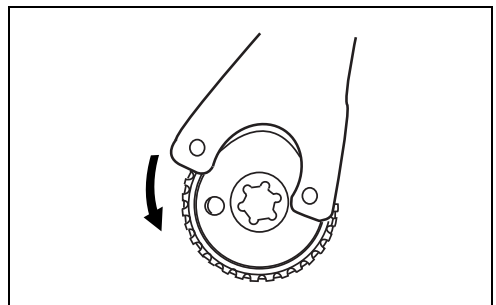
14

012773



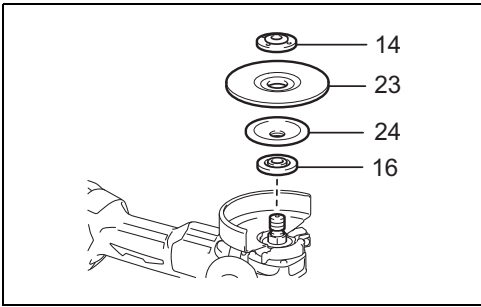
15

010846



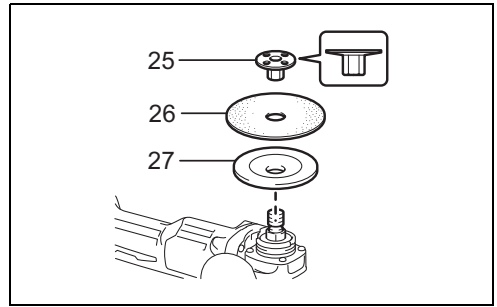
16

010863



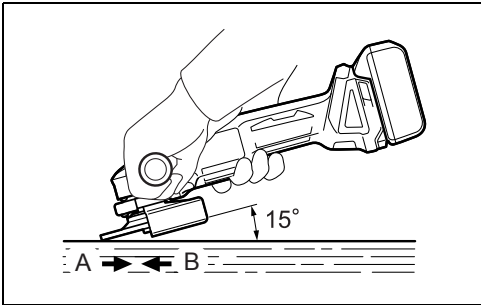
17

015091



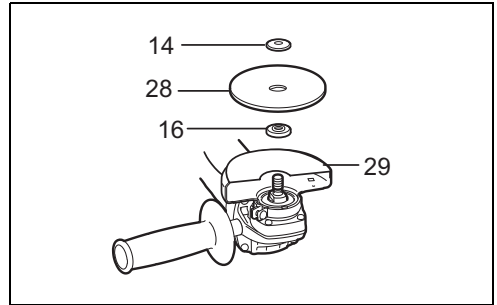
18

015092



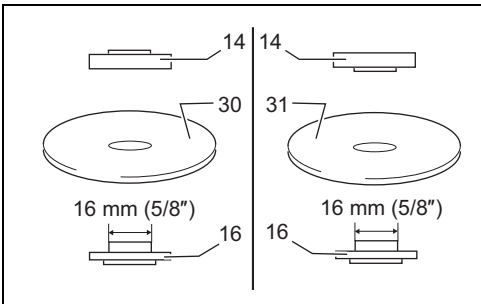
19

015097



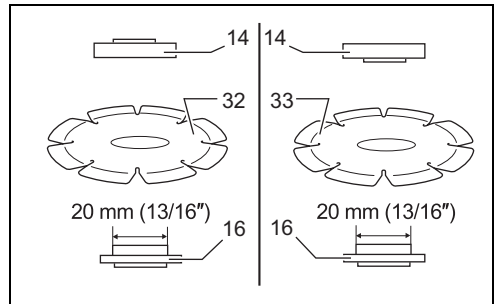
20

010855



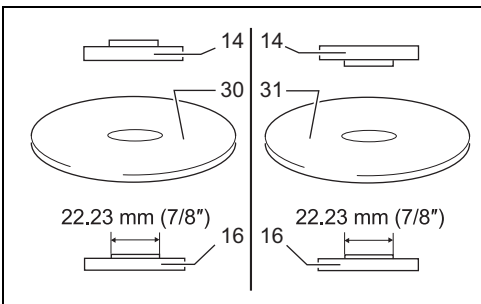
21

1088801



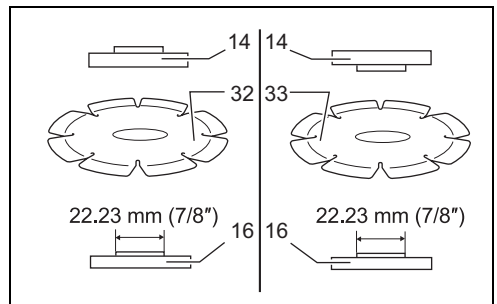
22

1088802



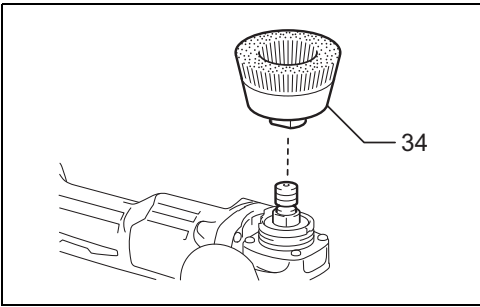
23

1088803



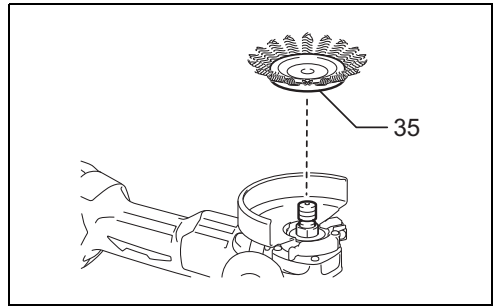
24

1088804



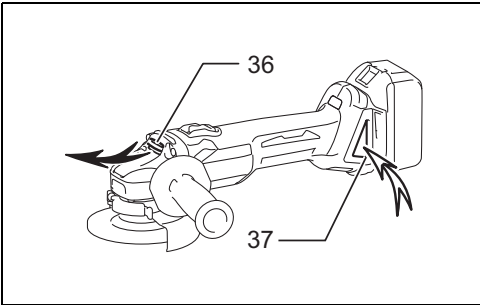
**25**

015093



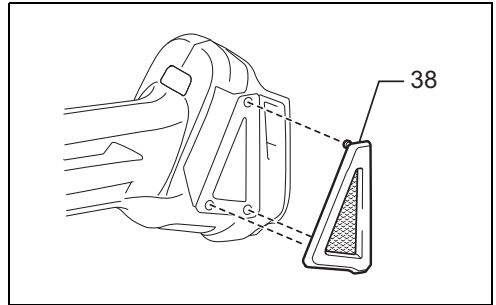
**26**

015094



**27**

015086



**28**

015087

## ENGLISH (Original instructions)

### Explanation of general view

- |                            |  |  |
|----------------------------|--|--|
| 1. Button                  | 16. Inner flange                         | 29. Wheel guard for abrasive cut-off wheel/diamond wheel |
| 2. Red indicator           | 17. Lock nut wrench                      | 30. Abrasive cut-off wheel                               |
| 3. Battery cartridge       | 18. Ezynut                               | (Thinner than 4 mm (5/32"))                              |
| 4. Slide switch            | 19. Abrasive wheel                       | 31. Abrasive cut-off wheel                               |
| 5. Indicator lamps         | 20. Spindle                              | (4 mm (5/32") or thicker)                                |
| 6. Check button            | 21. Arrow                                | 32. Diamond wheel  |
| 7. Battery indicator       | 22. Notch                                | (Thinner than 4 mm (5/32"))                              |
| 8. Mode indicator          | 23. Flex wheel                           | 33. Diamond wheel  |
| 9. Shaft lock              | 24. Back up pad                          | (4 mm (5/32") or thicker)                                |
| 10. Wheel guard            | 25. Sanding lock nut                     | 34. Wire cup brush                                       |
| 11. Bearing box            | 26. Abrasive disc                        | 35. Wire wheel brush                                     |
| 12. Screw                  | 27. Rubber pad                           | 36. Exhaust vent   |
| 13. Lever                  | 28. Abrasive cut-off wheel/diamond wheel | 37. Inhalation vent                                      |
| 14. Lock nut               |  | 38. Dust cover   |
| 15. Depressed center wheel |  |  |

## SPECIFICATIONS

Model		DGA404	DGA454	DGA504
Wheel diameter		100 mm (4")	115 mm (4-1/2")	125 mm (5")
Max. wheel thickness		6.4 mm (1/4")	6.4 mm (1/4")	6.4 mm (1/4")
Spindle thread		M10	M14 or 5/8" (country specific)	
Rated speed (n)/No load speed (n <sub>0</sub> )		8,500 min <sup>-1</sup>		
Overall length	With battery cartridge BL1815N, BL1820, BL1820B	348 mm		
	With battery cartridge BL1830, BL1830B, BL1840, BL1840B, BL1850, BL1850B, BL1860B	362 mm		
Net weight	With battery cartridge BL1815N, BL1820, BL1820B	2.2 kg	2.3 kg	2.3 kg
	With battery cartridge BL1830, BL1830B, BL1840, BL1840B, BL1850, BL1850B, BL1860B	2.4 kg	2.5 kg	2.5 kg
Rated voltage		D.C. 18 V		

- Due to our continuing program of research and development, the specifications herein are subject to change without notice.
- Specifications and battery cartridge may differ from country to country.
- Weight, with battery cartridge, according to EPTA-Procedure 01/2003

### Intended use

ENE048-1

The tool is intended for grinding, sanding and cutting of metal and stone materials without the use of water.

## General Power Tool Safety Warnings

GEA010-1

**⚠ WARNING** Read all safety warnings and all instructions. Failure to follow the warnings and instructions may result in electric shock, fire and/or serious injury.

**Save all warnings and instructions for future reference.**

## CORDLESS GRINDER SAFETY WARNINGS

GEB059-4

**Safety Warnings Common for Grinding, Sanding, Wire Brushing, or Abrasive Cutting-Off Operations:**

1. **This power tool is intended to function as a grinder, sander, wire brush or cut-off tool. Read all safety warnings, instructions, illustrations and specifications provided with this power tool.** Failure to follow all instructions listed below may result in electric shock, fire and/or serious injury.
2. **Operations such as polishing are not recommended to be performed with this power tool.** Operations for which the power tool was not designed may create a hazard and cause personal injury.
3. **Do not use accessories which are not specifically designed and recommended by the tool manufacturer.** Just because the accessory can be

attached to your power tool, it does not assure safe operation.

4. **The rated speed of the accessory must be at least equal to the maximum speed marked on the power tool.** Accessories running faster than their rated speed can break and fly apart.
5. **The outside diameter and the thickness of your accessory must be within the capacity rating of your power tool.** Incorrectly sized accessories cannot be adequately guarded or controlled.
6. **Threaded mounting of accessories must match the grinder spindle thread. For accessories mounted by flanges, the arbour hole of the accessory must fit the locating diameter of the flange.** Accessories that do not match the mounting hardware of the power tool will run out of balance, vibrate excessively and may cause loss of control.
7. **Do not use a damaged accessory. Before each use inspect the accessory such as abrasive wheels for chips and cracks, backing pad for cracks, tear or excess wear, wire brush for loose or cracked wires. If power tool or accessory is dropped, inspect for damage or install an undamaged accessory. After inspecting and installing an accessory, position yourself and bystanders away from the plane of the rotating accessory and run the power tool at maximum no-load speed for one minute.** Damaged accessories will normally break apart during this test time.
8. **Wear personal protective equipment. Depending on application, use face shield, safety goggles or safety glasses. As appropriate, wear dust mask, hearing protectors, gloves and workshop apron capable of stopping small abrasive or workpiece fragments.** The eye protection must be capable of stopping flying debris generated by various operations. The dust mask or respirator must be capable of filtrating particles generated by your operation. Prolonged exposure to high intensity noise may cause hearing loss.
9. **Keep bystanders a safe distance away from work area. Anyone entering the work area must wear personal protective equipment.** Fragments of workpiece or of a broken accessory may fly away and cause injury beyond immediate area of operation.
10. **Hold the power tool by insulated gripping surfaces only, when performing an operation where the cutting tool may contact hidden wiring.** Contact with a "live" wire will also make exposed metal parts of the power tool "live" and could give the operator an electric shock.
11. **Never lay the power tool down until the accessory has come to a complete stop.** The spinning accessory may grab the surface and pull the power tool out of your control.
12. **Do not run the power tool while carrying it at your side.** Accidental contact with the spinning accessory could snag your clothing, pulling the accessory into your body.
13. **Regularly clean the power tool's air vents.** The motor's fan will draw the dust inside the housing and excessive accumulation of powdered metal may cause electrical hazards.

14. **Do not operate the power tool near flammable materials.** Sparks could ignite these materials.
15. **Do not use accessories that require liquid coolants.** Using water or other liquid coolants may result in electrocution or shock.

#### **Kickback and Related Warnings**

Kickback is a sudden reaction to a pinched or snagged rotating wheel, backing pad, brush or any other accessory. Pinching or snagging causes rapid stalling of the rotating accessory which in turn causes the uncontrolled power tool to be forced in the direction opposite of the accessory's rotation at the point of the binding.

For example, if an abrasive wheel is snagged or pinched by the workpiece, the edge of the wheel that is entering into the pinch point can dig into the surface of the material causing the wheel to climb out or kick out. The wheel may either jump toward or away from the operator, depending on direction of the wheel's movement at the point of pinching. Abrasive wheels may also break under these conditions.

Kickback is the result of power tool misuse and/or incorrect operating procedures or conditions and can be avoided by taking proper precautions as given below.

- a) **Maintain a firm grip on the power tool and position your body and arm to allow you to resist kickback forces. Always use auxiliary handle, if provided, for maximum control over kickback or torque reaction during start-up.** The operator can control torque reactions or kickback forces, if proper precautions are taken.
- b) **Never place your hand near the rotating accessory.** Accessory may kickback over your hand.
- c) **Do not position your body in the area where power tool will move if kickback occurs.** Kickback will propel the tool in direction opposite to the wheel's movement at the point of snagging.
- d) **Use special care when working corners, sharp edges etc. Avoid bouncing and snagging the accessory.** Corners, sharp edges or bouncing have a tendency to snag the rotating accessory and cause loss of control or kickback.
- e) **Do not attach a saw chain woodcarving blade or toothed saw blade.** Such blades create frequent kickback and loss of control.

#### **Safety Warnings Specific for Grinding and Abrasive Cutting-Off Operations:**

- a) **Use only wheel types that are recommended for your power tool and the specific guard designed for the selected wheel.** Wheels for which the power tool was not designed cannot be adequately guarded and are unsafe.
- b) **The grinding surface of centre depressed wheels must be mounted below the plane of the guard lip.** An improperly mounted wheel that projects through the plane of the guard lip cannot be adequately protected.
- c) **The guard must be securely attached to the power tool and positioned for maximum safety, so the least amount of wheel is exposed towards the operator.** The guard helps to protect the operator from broken wheel fragments, accidental contact with wheel and sparks that could ignite clothing.

- d) **Wheels must be used only for recommended applications. For example: do not grind with the side of cut-off wheel.** Abrasive cut-off wheels are intended for peripheral grinding, side forces applied to these wheels may cause them to shatter.
- e) **Always use undamaged wheel flanges that are of correct size and shape for your selected wheel.** Proper wheel flanges support the wheel thus reducing the possibility of wheel breakage. Flanges for cut-off wheels may be different from grinding wheel flanges.
- f) **Do not use worn down wheels from larger power tools.** Wheel intended for larger power tool is not suitable for the higher speed of a smaller tool and may burst.

#### **Additional Safety Warnings Specific for Abrasive Cutting-Off Operations:**

- a) **Do not “jam” the cut-off wheel or apply excessive pressure. Do not attempt to make an excessive depth of cut.** Overstressing the wheel increases the loading and susceptibility to twisting or binding of the wheel in the cut and the possibility of kickback or wheel breakage.
- b) **Do not position your body in line with and behind the rotating wheel.** When the wheel, at the point of operation, is moving away from your body, the possible kickback may propel the spinning wheel and the power tool directly at you.
- c) **When wheel is binding or when interrupting a cut for any reason, switch off the power tool and hold the power tool motionless until the wheel comes to a complete stop. Never attempt to remove the cut-off wheel from the cut while the wheel is in motion otherwise kickback may occur.** Investigate and take corrective action to eliminate the cause of wheel binding.
- d) **Do not restart the cutting operation in the workpiece. Let the wheel reach full speed and carefully re-enter the cut.** The wheel may bind, walk up or kickback if the power tool is restarted in the workpiece.
- e) **Support panels or any oversized workpiece to minimize the risk of wheel pinching and kickback.** Large workpieces tend to sag under their own weight. Supports must be placed under the workpiece near the line of cut and near the edge of the workpiece on both sides of the wheel.
- f) **Use extra caution when making a “pocket cut” into existing walls or other blind areas.** The protruding wheel may cut gas or water pipes, electrical wiring or objects that can cause kickback.

#### **Safety Warnings Specific for Sanding Operations:**

- a) **Do not use excessively oversized sanding disc paper. Follow manufacturers recommendations, when selecting sanding paper.** Larger sanding paper extending beyond the sanding pad presents a laceration hazard and may cause snagging, tearing of the disc or kickback.

#### **Safety Warnings Specific for Wire Brushing Operations:**

- a) **Be aware that wire bristles are thrown by the brush even during ordinary operation. Do not overstress the wires by applying excessive load**

- to the brush.** The wire bristles can easily penetrate light clothing and/or skin.
- b) **If the use of a guard is recommended for wire brushing, do not allow interference of the wire wheel or brush with the guard.** Wire wheel or brush may expand in diameter due to work load and centrifugal forces.

#### **Additional Safety Warnings:**

16. **When using depressed centre grinding wheels, be sure to use only fiberglass-reinforced wheels.**
17. **NEVER USE Stone Cup type wheels with this grinder.** This grinder is not designed for these types of wheels and the use of such a product may result in serious personal injury.
18. **Be careful not to damage the spindle, the flange (especially the installing surface) or the lock nut. Damage to these parts could result in wheel breakage.**
19. **Make sure the wheel is not contacting the workpiece before the switch is turned on.**
20. **Before using the tool on an actual workpiece, let it run for a while. Watch for vibration or wobbling that could indicate poor installation or a poorly balanced wheel.**
21. **Use the specified surface of the wheel to perform the grinding.**
22. **Do not leave the tool running. Operate the tool only when hand-held.**
23. **Do not touch the workpiece immediately after operation; it may be extremely hot and could burn your skin.**
24. **Observe the instructions of the manufacturer for correct mounting and use of wheels. Handle and store wheels with care.**
25. **Do not use separate reducing bushings or adaptors to adapt large hole abrasive wheels.**
26. **Use only flanges specified for this tool.**
27. **For tools intended to be fitted with threaded hole wheel, ensure that the thread in the wheel is long enough to accept the spindle length.**
28. **Check that the workpiece is properly supported.**
29. **Pay attention that the wheel continues to rotate after the tool is switched off.**
30. **If working place is extremely hot and humid, or badly polluted by conductive dust, use a short-circuit breaker (30 mA) to assure operator safety.**
31. **Do not use the tool on any materials containing asbestos.**
32. **When use cut-off wheel, always work with the dust collecting wheel guard required by domestic regulation.**
33. **Cutting discs must not be subjected to any lateral pressure.**
34. **Do not use cloth work gloves during operation.** Fibers from cloth gloves may enter the tool, which causes tool breakage.

## **SAVE THESE INSTRUCTIONS.**



#### **WARNING:**

**DO NOT** let comfort or familiarity with product (gained from repeated use) replace strict adherence to safety rules for the subject product. **MISUSE** or failure to



follow the safety rules stated in this instruction manual may cause serious personal injury.

## IMPORTANT SAFETY INSTRUCTIONS FOR BATTERY CARTRIDGE

ENC007-12

1. Before using battery cartridge, read all instructions and cautionary markings on (1) battery charger, (2) battery, and (3) product using battery.
2. Do not disassemble battery cartridge.
3. If operating time has become excessively shorter, stop operating immediately. It may result in a risk of overheating, possible burns and even an explosion.
4. If electrolyte gets into your eyes, rinse them out with clear water and seek medical attention right away. It may result in loss of your eyesight.
5. Do not short the battery cartridge:
  - (1) Do not touch the terminals with any conductive material.
  - (2) Avoid storing battery cartridge in a container with other metal objects such as nails, coins, etc.
  - (3) Do not expose battery cartridge to water or rain.

A battery short can cause a large current flow, overheating, possible burns and even a breakdown.

6. Do not store the tool and battery cartridge in locations where the temperature may reach or exceed 50°C (122°F).
7. Do not incinerate the battery cartridge even if it is severely damaged or is completely worn out. The battery cartridge can explode in a fire.
8. Be careful not to drop or strike battery.
9. Do not use a damaged battery.
10. The contained lithium-ion batteries are subject to the Dangerous Goods Legislation requirements. For commercial transports e.g. by third parties, forwarding agents, special requirement on packaging and labeling must be observed. For preparation of the item being shipped, consulting an expert for hazardous material is required. Please also observe possibly more detailed national regulations. Tape or mask off open contacts and pack up the battery in such a manner that it cannot move around in the packaging.
11. Follow your local regulations relating to disposal of battery.
12. Use the batteries only with the products specified by Makita. Installing the batteries to non-compliant products may result in a fire, excessive heat, explosion, or leak of electrolyte.

## SAVE THESE INSTRUCTIONS.

**⚠ CAUTION:** Only use genuine Makita batteries. Use of non-genuine Makita batteries, or batteries that have been altered, may result in the battery bursting causing fires, personal injury and damage. It will also void the Makita warranty for the Makita tool and charger.

## Tips for maintaining maximum battery life

1. Charge the battery cartridge before completely discharged. Always stop tool operation and charge the battery cartridge when you notice less tool power.
2. Never recharge a fully charged battery cartridge. Overcharging shortens the battery service life.
3. Charge the battery cartridge with room temperature at 10°C - 40°C (50°F - 104°F). Let a hot battery cartridge cool down before charging it.
4. Charge the battery cartridge if you do not use it for a long period (more than six months).

## FUNCTIONAL DESCRIPTION

### ⚠ CAUTION:

- Always be sure that the tool is switched off and the battery cartridge is removed before adjusting or checking function on the tool.

## Installing or removing battery cartridge (Fig. 1)

### ⚠ CAUTION:

- Always switch off the tool before installing or removing of the battery cartridge.
- Hold the tool and the battery cartridge firmly when installing or removing battery cartridge. Failure to hold the tool and the battery cartridge firmly may cause them to slip off your hands and result in damage to the tool and battery cartridge and a personal injury.

To remove the battery cartridge, slide it from the tool while sliding the button on the front of the cartridge.

To install the battery cartridge, align the tongue on the battery cartridge with the groove in the housing and slip it into place. Insert it all the way until it locks in place with a little click. If you can see the red indicator on the upper side of the button, it is not locked completely.

### ⚠ CAUTION:

- Always install the battery cartridge fully until the red indicator cannot be seen. If not, it may accidentally fall out of the tool, causing injury to you or someone around you.
- Do not install the battery cartridge forcibly. If the cartridge does not slide in easily, it is not being inserted correctly.

## Switch action

### ⚠ CAUTION:

- Before installing the battery cartridge into the tool, always check to see that the slide switch actuates properly and returns to the "OFF" position when the rear of the slide switch is depressed.
- Switch can be locked in "ON" position for ease of operator comfort during extended use. Apply caution when locking tool in "ON" position and maintain firm grasp on tool.

To start the tool, slide the slide switch toward the "I (ON)" position by pushing the rear of the slide switch. For continuous operation, press the front of the slide switch to lock it.

To stop the tool, press the rear of the slide switch, then slide it toward the "O (OFF)" position. (Fig. 2)

## Accidental re-start preventive function

Even if the battery cartridge is installed on the tool with the slide switch in the "I (ON)" position, the tool does not start. To start the tool, first slide the slide switch toward the "O (OFF)" position and then slide it toward the "I (ON)" position.

## Electronic torque control function


















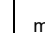
The tool electronically detects situations where the wheel or accessory may be at risk to be bound. In the situation, the tool is automatically shut off to prevent further rotation of the spindle (it does not prevent kickback).

To restart the tool, switch off the tool first, remove the cause of sudden drop in the rotation speed, and then turn the tool on.

## Indicating the remaining battery capacity

**Only for battery cartridges with the indicator (Fig. 3)**

Press the check button on the battery cartridge to indicate the remaining battery capacity. The indicator lamps light up for few seconds.

Indicator lamps			Remaining capacity
 Lighted	 Off	 Blinking	
			75% to 100%
			50% to 75%
			25% to 50%
			0% to 25%
			Charge the battery.
			The battery may have malfunctioned.
			

015658

### NOTE:


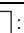


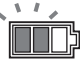
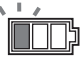

- Depending on the conditions of use and the ambient temperature, the indication may differ slightly from the actual capacity.

## Indicating remaining battery capacity

(Country specific) (Fig. 4)


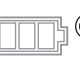
When you turn the tool on, the battery indicator shows the remaining battery capacity.

The remaining battery capacity is shown as the following table.

Battery indicator status			Remaining battery capacity
 : On	 : Off	 : Blinking	
			50% - 100%
			20% - 50%
			0% - 20%
			Charge the battery

015096

## Automatic speed change function (Fig. 5)

Mode indicator status	Operation mode
	High speed mode
	High torque mode

015098

This tool has "high speed mode" and "high torque mode". It automatically changes operation mode depending on the work load. When mode indicator lights up during operation, the tool is in high torque mode.

## Tool/battery protection system

The tool is equipped with a tool/battery protection system. This system automatically cuts off power to the motor to extend tool and battery life.


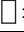


The tool will automatically stop during operation if the tool or battery is placed under one of the following conditions. In some conditions, the indicator lights up.

### Overload protection

When the tool is operated in a manner that causes it to draw an abnormally high current, the tool automatically stops without any indications. In this situation, turn the tool off and stop the application that caused the tool to become overloaded. Then turn the tool on to restart.

### Overheat protection for tool

When the tool is overheated, the tool stops automatically and the battery indicator shows following state. In this situation, let the tool cool before turning the tool on again.

Battery indicator	 : On	 : Off	 : Blinking
			
Tool is overheated			

015140

### Releasing protection lock

When the protection system works repeatedly, the tool is locked and the battery indicator shows the following state.

Battery indicator	 : On	 : Off	 : Blinking
	Protection lock works		

015200

In this situation, the tool does not start even if turning the tool off and on. To release the protection lock, remove the battery, set it to the battery charger and wait until the charging finishes.

## Shaft lock

### CAUTION:

- Never actuate the shaft lock when the spindle is moving. The tool may be damaged.

Press the shaft lock to prevent spindle rotation when installing or removing accessories. (Fig. 6)

## ASSEMBLY

### CAUTION:

- Always be sure that the tool is switched off and the battery cartridge is removed before carrying out any work on the tool.

## Installing side grip (handle)

### CAUTION:

- Always be sure that the side grip is installed securely before operation.

Screw the side grip securely on the position of the tool as shown in the figure. (Fig. 7)

## Installing or removing wheel guard (For depressed center wheel, multi disc/abrasive cut-off wheel, diamond wheel)

### WARNING:

- When using a depressed center grinding wheel/Multi-disc, flex wheel, wire wheel brush, cut-off wheel or diamond wheel, the wheel guard must be fitted on the tool so that the closed side of the guard always points toward the operator.
- When using an abrasive cut-off/diamond wheel, be sure to use only the special wheel guard designed for use with cut-off wheels. (In some European countries, when using a diamond wheel, the ordinary guard can be used. Follow the regulations in your country.)

### For tool with clamp lever type wheel guard

Loosen the lever on the wheel guard after loosening the screw. Mount the wheel guard with the protrusion on the wheel guard band aligned with the notch on the bearing box. Then rotate the wheel guard to such an angle that it can protect the operator according to work. (Fig. 8)

Tighten the lever to fasten the wheel guard. If the lever is too tight or too loose to fasten the wheel guard, loosen or tighten the screw to adjust the tightening of the wheel guard band. (Fig. 9)

To remove wheel guard, follow the installation procedure in reverse.

### For tool with locking screw type wheel guard (Fig. 10)

Mount the wheel guard with the protrusions on the wheel guard band aligned with the notches on the bearing box. Then rotate the wheel guard around 180° counterclockwise. Be sure to tighten the screw securely. To remove wheel guard, follow the installation procedure in reverse.

## Installing or removing depressed center wheel or flap disc (optional accessory)

### WARNING:

- When using a depressed center wheel or flap disc, the wheel guard must be fitted on the tool so that the closed side of the guard always points toward the operator.
- Only actuate the shaft lock when the spindle is not moving.

Mount the inner flange onto the spindle. Fit the wheel/disc on the inner flange and screw the lock nut onto the spindle. (Fig. 11)

To tighten the lock nut, press the shaft lock firmly so that the spindle cannot revolve, then use the lock nut wrench and securely tighten clockwise. (Fig. 12)

To remove the wheel, follow the installation procedure in reverse.

## Installing or removing Ezynut (optional accessory)

### CAUTION:

- Do not use Ezynut with Super Flange or angle grinder with "F" on the end of the model No. Those flanges are so thick that the entire thread cannot be retained by the spindle.

Mount inner flange, abrasive wheel and Ezynut onto the spindle so that Makita Logo on Ezynut faces outside. (Fig. 13)

Press shaft lock firmly and tighten Ezynut by turning the abrasive wheel clockwise as far as it turns.

Turn the outside ring of Ezynut counterclockwise to loosen. (Fig. 14)

### NOTE:

- Ezynut can be loosened by hand as long as the arrow points the notch. Otherwise a lock nut wrench is required to loosen it. Insert one pin of the wrench into a hole and turn Ezynut counterclockwise. (Fig. 15 & 16)

## Installing or removing flex wheel

### Optional accessory

### WARNING:

- **Always use supplied guard when flex wheel is on tool.** Wheel can shatter during use and guard helps to reduce chances of personal injury. (Fig. 17)

Follow instructions for depressed center wheel but also use back up pad over wheel. See order of assembly on accessories page in this manual.

## Installing or removing abrasive disc (optional accessory) (Fig. 18)

Mount the rubber pad onto the spindle. Fit the disc on the rubber pad and screw the lock nut onto the spindle. To

tighten the lock nut, press the shaft lock firmly so that the spindle cannot revolve, then use the lock nut wrench and securely tighten clockwise.

To remove the disc, follow the installation procedure in reverse.

#### NOTE:

- Use sander accessories specified in this manual. These must be purchased separately.

## OPERATION

### WARNING:

- It should never be necessary to force the tool. The weight of the tool applies adequate pressure. Forcing and excessive pressure could cause dangerous wheel breakage.
- ALWAYS replace wheel if tool is dropped while grinding.
- NEVER bang or hit grinding disc or wheel onto work.
- Avoid bouncing and snagging the wheel, especially when working corners, sharp edges etc. This can cause loss of control and kickback.
- NEVER use tool with wood cutting blades and other sawblades. Such blades when used on a grinder frequently kick and cause loss of control leading to personal injury.

### CAUTION:

- Never switch on the tool when it is in contact with the workpiece, it may cause an injury to operator.
- Always wear safety goggles or a face shield during operation.
- After operation, always switch off the tool and wait until the wheel has come to a complete stop before putting the tool down.

## Grinding and sanding operation (Fig. 19)

ALWAYS hold the tool firmly with one hand on housing and the other on the side handle. Turn the tool on and then apply the wheel or disc to the workpiece.

In general, keep the edge of the wheel or disc at an angle of about 15 degrees to the workpiece surface.

During the break-in period with a new wheel, do not work the grinder in the B direction or it will cut into the workpiece. Once the edge of the wheel has been rounded off by use, the wheel may be worked in both A and B direction.

## Operation with abrasive cut-off/diamond wheel

### Optional accessory

#### WARNING:

- **When using an abrasive cut-off/diamond wheel, be sure to use only the special wheel guard designed for use with cut-off wheels.**  
(In some European countries, when using a diamond wheel, the ordinary guard can be used. Follow the regulations in your country.)
- **NEVER use cut-off wheel for side grinding.**
- **Do not “jam” the wheel or apply excessive pressure. Do not attempt to make an excessive depth of cut.** Overstressing the wheel increases the loading and susceptibility to twisting or binding of the

wheel in the cut and the possibility of kickback, wheel breakage and overheating of the motor may occur.

- **Do not start the cutting operation in the workpiece. Let the wheel reach full speed and carefully enter into the cut moving the tool forward over the workpiece surface.** The wheel may bind, walk up or kickback if the power tool is started in the workpiece.
- **During cutting operations, never change the angle of the wheel.** Placing side pressure on the cut-off wheel (as in grinding) will cause the wheel to crack and break, causing serious personal injury.
- **A diamond wheel shall be operated perpendicular to the material being cut. (Fig. 20)**

As for the installation, follow the instructions for depressed center wheel.

**The direction for mounting the lock nut and the inner flange varies by wheel type and thickness.**

Refer to the following figures.

## For 100 mm (4”) model

When installing the abrasive cut-off wheel: (Fig. 21)

When installing the diamond wheel: (Fig. 22)

## For 115 mm (4 - 1/2”)/125 mm (5”) model

When installing the abrasive cut-off wheel: (Fig. 23)

When installing the diamond wheel: (Fig. 24)

## Operation with wire cup brush (optional accessory)

### CAUTION:

- Check operation of brush by running tool with no load, insuring that no one is in front of or in line with brush.
- Do not use brush that is damaged, or which is out of balance. Use of damaged brush could increase potential for injury from contact with broken brush wires.

Remove the battery cartridge from the tool and place it upside down allowing easy access to spindle. Remove any accessories on spindle. Thread wire cup brush onto spindle and tighten with supplied wrench. When using brush, avoid applying too much pressure which causes over bending of wires, leading to premature breakage. (Fig. 25)

## Operation with wire wheel brush (optional accessory)

### CAUTION:

- Check operation of wire wheel brush by running tool with no load, insuring that no one is in front of or in line with the wire wheel brush.
- Do not use wire wheel brush that is damaged, or which is out of balance. Use of damaged wire wheel brush could increase potential for injury from contact with broken wires.
- ALWAYS use guard with wire wheel brushes, assuring diameter of wheel fits inside guard. Wheel can shatter during use and guard helps to reduce chances of personal injury.

Remove the battery cartridge from the tool and place it upside down allowing easy access to spindle. Remove

any accessories on spindle. Thread wire wheel brush onto spindle and tighten with the wrenches. **(Fig. 26)**

When using wire wheel brush, avoid applying too much pressure which causes over bending of wires, leading to premature breakage.

## MAINTENANCE

### CAUTION:

- Always be sure that the tool is switched off and the battery cartridge is removed before attempting to perform inspection or maintenance.
  - Never use gasoline, benzine, thinner, alcohol or the like. Discoloration, deformation or cracks may result. The tool and its air vents have to be kept clean. Regularly clean the tool's air vents or whenever the vents start to become obstructed. **(Fig. 27)**
- Remove the dust cover from inhalation vent and clean it for smooth air circulation. **(Fig. 28)**

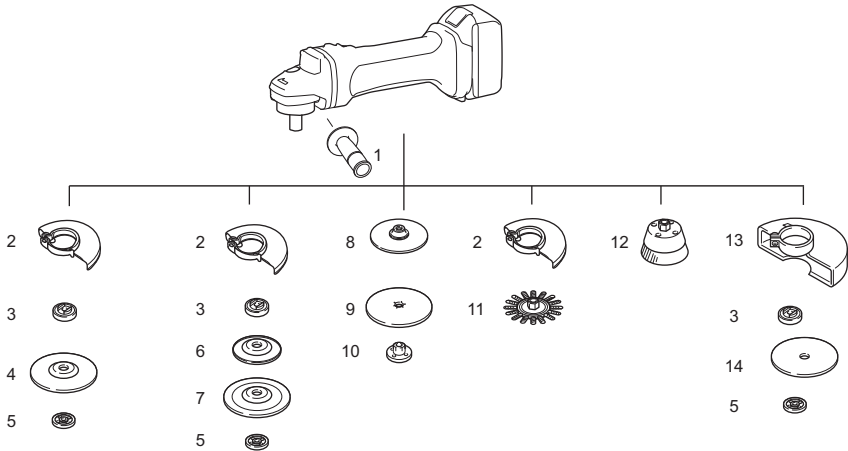
### NOTE:

- Clean out the dust cover when it is clogged with dust or foreign matters. Continuing operation with a clogged dust cover may damage the tool.
- To maintain product SAFETY and RELIABILITY, repairs, any other maintenance or adjustment should be performed by Makita Authorized Service Centers, always using Makita replacement parts.

## OPTIONAL ACCESSORIES

### CAUTION:

- These accessories or attachments are recommended for use with your Makita tool specified in this manual. The use of any other accessories or attachments might present a risk of injury to persons. Only use accessory or attachment for its stated purpose.
- If you need any assistance for more details regarding these accessories, ask your local Makita Service Center.
- Makita genuine battery and charger



	100 mm (4") model	115 mm (4-1/2") model	125 mm (5") model
1	Grip 36		
2	Wheel Guard (for grinding wheel)		
3	Inner flange	Inner flange/Super flange *1 *2	Inner flange/Super flange
4	Depressed center wheel/Flap disc		
5	Lock nut	Lock nut/Ezynut *1 *2	Lock nut/Ezynut *2
6	Backup pad		
7	Flex wheel		
8	Rubber pad 76	Rubber pad 100	Rubber pad 115
9	Abrasive disc		
10	Sanding lock nut		
11	Wire wheel brush		
12	Wire cup brush		
13	Wheel guard (for cut-off wheel) *3		
14	Abrasive cut-off wheel/Diamond wheel		
-	Lock nut wrench		

Note:

\*1 Only for tools with M14 spindle thread.

\*2 Do not use Super flange and Ezynut together.

\*3 In some European countries, when using a diamond wheel, the ordinary guard can be used instead of the special guard covering the both side of the wheel. Follow the regulations in your country.

015100-2

**NOTE:**

- Some items in the list may be included in the tool package as standard accessories. They may differ from country to country.

**Noise**

ENG905-1

The typical A-weighted noise level determined according to EN60745:

**Model DGA404**

Sound pressure level ( $L_{pA}$ ): 80 dB (A)

Sound power level ( $L_{WA}$ ): 91 dB (A)

Uncertainty (K): 3 dB (A)

**Model DGA454, DGA504**

Sound pressure level ( $L_{pA}$ ): 79 dB (A)

Uncertainty (K): 3 dB (A)

The noise level under working may exceed 80 dB (A).

**Wear ear protection.**

## Vibration

ENG900-1

The vibration total value (tri-axial vector sum) determined according to EN60745:

### Model DGA404

Work mode: surface grinding with normal side grip

Vibration emission ( $a_{h,AG}$ ): 4.5 m/s<sup>2</sup>

Uncertainty (K): 1.5 m/s<sup>2</sup>

Work mode: surface grinding with anti vibration side grip

Vibration emission ( $a_{h,AG}$ ): 4.0 m/s<sup>2</sup>

Uncertainty (K): 1.5 m/s<sup>2</sup>

Work mode: disc sanding

Vibration emission ( $a_{h,DS}$ ): 2.5 m/s<sup>2</sup> or less

Uncertainty (K): 1.5 m/s<sup>2</sup>

### Model DGA454, DGA504

Work mode: surface grinding with normal side grip

Vibration emission ( $a_{h,AG}$ ): 6.5 m/s<sup>2</sup>

Uncertainty (K): 1.5 m/s<sup>2</sup>

Work mode: surface grinding with anti vibration side grip

Vibration emission ( $a_{h,AG}$ ): 6.0 m/s<sup>2</sup>

Uncertainty (K): 1.5 m/s<sup>2</sup>

Work mode: disc sanding

Vibration emission ( $a_{h,DS}$ ): 2.5 m/s<sup>2</sup> or less

Uncertainty (K): 1.5 m/s<sup>2</sup>

ENG902-1

- The declared vibration emission value has been measured in accordance with the standard test method and may be used for comparing one tool with another.
- The declared vibration emission value may also be used in a preliminary assessment of exposure.
- The declared vibration emission value is used for main applications of the power tool. However if the power tool is used for other applications, the vibration emission value may be different.

### **WARNING:**

- The vibration emission during actual use of the power tool can differ from the declared emission value depending on the ways in which the tool is used.
- Be sure to identify safety measures to protect the operator that are based on an estimation of exposure in the actual conditions of use (taking account of all parts of the operating cycle such as the times when the tool is switched off and when it is running idle in addition to the trigger time).

### **EC Declaration of Conformity**

#### ***For European countries only***

The EC declaration of conformity is included as Annex A to this instruction manual.

# FRANÇAIS (Instructions d'origine)

## Descriptif

- |                             |  |   |
|-----------------------------|--|---|
| 1. Bouton                   | 16. Flasque intérieur                  | 29. Carter de meule pour meule à tronçonner/meule diamantée |
| 2. Voyant rouge             | 17. Clé à contre-écrou                 | 30. Meule à tronçonner abrasive (Inférieure à 4 mm)         |
| 3. Batterie                 | 18. Ezynut                             | 31. Meule à tronçonner abrasive (4 mm ou plus)              |
| 4. Interrupteur à glissière | 19. Meule abrasive                     | 32. Meule diamantée (Inférieure à 4 mm)                     |
| 5. Voyants                  | 20. Axe                                | 33. Meule diamantée (4 mm ou plus)                          |
| 6. Bouton de vérification   | 21. Flèche                             | 34. Brosse coupe métallique                                 |
| 7. Voyant de batterie       | 22. Entaille                           | 35. Brosse roue métallique                                  |
| 8. Voyant de mode           | 23. Meule souple                       | 36. Sortie d'air  |
| 9. Blocage de l'arbre       | 24. Semelle                            | 37. Entrée d'air  |
| 10. Carter de meule         | 25. Contre-écrou de ponçage            | 38. Capuchon anti-poussière                                 |
| 11. Boîtier d'engrenage     | 26. Disque abrasif                     |   |
| 12. Vis                     | 27. Plateau en caoutchouc              |   |
| 13. Levier                  | 28. Meule à tronçonner/meule diamantée |   |
| 14. Contre-écrou            |  |   |
| 15. Meule à moyeu déporté   |  |   |

## SPÉCIFICATIONS

Modèle		DGA404	DGA454	DGA504
Diamètre de la meule		100 mm (4")	115 mm (4-1/2")	125 mm (5")
Épaisseur maximale de la meule		6,4 mm (1/4")	6,4 mm (1/4")	6,4 mm (1/4")
Filetage de l'axe		M10	M14 ou 5/8" (selon le pays)	
Vitesse nominale (n)/Vitesse à vide (n <sub>0</sub> )		8 500 min <sup>-1</sup>		
Longueur totale	Avec la batterie BL1815N, BL1820, BL1820B	348 mm		
	Avec la batterie BL1830, BL1830B, BL1840, BL1840B, BL1850, BL1850B, BL1860B	362 mm		
Poids net	Avec la batterie BL1815N, BL1820, BL1820B	2,2 kg	2,3 kg	2,3 kg
	Avec la batterie BL1830, BL1830B, BL1840, BL1840B, BL1850, BL1850B, BL1860B	2,4 kg	2,5 kg	2,5 kg
Tension nominale		18 V C.C.		

- Étant donné l'évolution constante de notre programme de recherche et de développement, les spécifications contenues dans ce manuel sont sujettes à des modifications sans préavis.
- Les spécifications et la batterie peuvent varier d'un pays à l'autre.
- Poids, batterie incluse, selon la procédure EPTA 01/2003

### Utilisations

ENE048-1

L'outil est conçu pour le meulage, le ponçage et la coupe des métaux et pierres sans utilisation d'eau.

## Consignes de sécurité générales des outils électriques

GEA010-1

**⚠ AVERTISSEMENT** Veuillez lire toutes les consignes de sécurité et les instructions. Il y a un risque de choc électrique, d'incendie et/ou de blessure grave si les consignes et les instructions ne sont pas toutes respectées.

**Conservez toutes les consignes et instructions pour référence ultérieure.**

## AVERTISSEMENTS DE SÉCURITÉ CONCERNANT LA MEULEUSE SANS FIL

GEB059-4

**Consignes de sécurité pour des opérations de meulage, ponçage, brossage avec brosse métallique ou tronçonnage :**

- Cet outil électrique est prévu pour fonctionner comme un outil de meulage, ponçage, tronçonnage ou brossage à brosse métallique. Lisez tous les avertissements concernant la sécurité, les instructions, les illustrations et les caractéristiques fournis avec cet outil électrique.** Il y a risque d'électrocution, d'incendie et/ou de blessures graves si les instructions énumérées ci-dessous ne sont pas respectées.
- Les opérations comme le polissage sont déconseillées avec cet outil électrique.** Les opérations pour lesquelles l'outil électrique n'a pas été



conçu peuvent générer un danger et occasionner des blessures.

3. **N'utilisez pas d'accessoires qui ne sont pas spécifiquement conçus et recommandés par le fabricant de l'outil.** Le simple fait que l'accessoire puisse être fixé à votre outil électrique ne signifie pas que le fonctionnement sera sécurisé.
4. **La vitesse nominale de l'accessoire doit être au moins égale à la vitesse maximale indiquée sur l'outil électrique.** Les accessoires fonctionnant plus rapidement que leur vitesse nominale risquent de se casser et de voler en éclats.
5. **Le diamètre externe et l'épaisseur de votre accessoire doivent correspondre à la puissance nominale de votre outil électrique.** Des accessoires aux dimensions inappropriées ne peuvent pas être protégés ou contrôlés correctement.
6. **Le montage fileté des accessoires doit correspondre au filetage de l'axe de la meuleuse. Pour les accessoires montés à l'aide de flasques, l'orifice de tonnelle de l'accessoire doit correspondre au diamètre du flasque.** Les accessoires qui ne correspondent pas au matériel de montage de l'outil électrique seront déséquilibrés et subiront des vibrations excessives, susceptibles d'occasionner une perte de contrôle.
7. **N'utilisez pas d'accessoire endommagé. Avant chaque utilisation, vérifiez que les accessoires, comme les meules tronçonneuses, ne comportent pas de copeaux et de fissures, que la semelle n'est pas fissurée, déchirée ou excessivement usée et que les fils de la brosse métallique ne sont pas lâches ou cassés. En cas de chute de l'outil électrique ou d'un accessoire, assurez-vous qu'il n'est pas endommagé et remplacez-le au besoin par un accessoire en bon état. Après avoir inspecté et installé un accessoire, positionnez-vous ainsi que les spectateurs à distance du plan de l'accessoire en rotation et faites fonctionner l'outil électrique à la vitesse maximale à vide pendant une minute.** Normalement, tout accessoire endommagé se brisera au cours de ce temps d'essai.
8. **Portez un équipement de protection corporelle. En fonction du type de travail à effectuer, utilisez un écran facial, des lunettes étanches ou des lunettes de protection. Au besoin, portez un masque anti-poussières, des protège-tympans, des gants et un tablier d'atelier capable d'arrêter les petits fragments abrasifs ou des morceaux de la pièce à travailler.** La protection pour les yeux doit pouvoir stopper les projections de débris générées par diverses opérations. Le masque anti-poussières ou le masque filtrant doit pouvoir filtrer les particules générées lors des travaux. L'exposition prolongée à un bruit d'intensité élevée peut entraîner la surdité.
9. **Gardez les spectateurs à une distance de sécurité de la zone de travail. Quiconque pénètre dans la zone de travail doit porter un équipement de protection corporelle.** Des fragments de la pièce à travailler ou d'un accessoire cassé peuvent être projetés hors de la zone de travail immédiate et entraîner des blessures.
10. **Saisissez l'outil électrique par ses surfaces de poigne isolées uniquement, lorsque vous**

**effectuez une opération au cours de laquelle l'outil tranchant peut entrer en contact avec des fils cachés.** Le contact avec un fil sous tension mettra également les parties métalliques exposées de l'outil sous tension, risquant ainsi de provoquer un choc électrique chez l'utilisateur.

11. **Ne posez jamais l'outil électrique à terre tant que l'accessoire ne s'est pas complètement arrêté.** L'accessoire rotatif peut accrocher la surface et vous risquez de perdre le contrôle de l'outil électrique.
12. **Ne faites pas tourner l'outil électrique si vous le transportez à côté de vous.** Un contact accidentel avec l'accessoire rotatif pourrait accrocher vos vêtements et attirer l'accessoire vers votre corps.
13. **Nettoyez régulièrement les aérations de l'outil électrique.** Le ventilateur du moteur tirera la poussière à l'intérieur du logement et une accumulation excessive de poudre métallique peut entraîner des chocs électriques.
14. **Ne faites pas fonctionner l'outil électrique à proximité de matériaux inflammables.** Les étincelles risquent d'enflammer ces matériaux.
15. **N'utilisez pas d'accessoires qui nécessitent des liquides de refroidissement.** L'utilisation d'eau ou de liquides de refroidissement peut entraîner une électrocution ou un choc électrique.

#### **Rebond et avertissements afférents**

Le rebond est une réaction soudaine suite à un pincement ou accrochage d'une meule en rotation, d'un patin de renfort, d'une brosse ou d'un autre accessoire. Un pincement ou un accrochage peut entraîner le calage rapide de l'accessoire rotatif, ce qui peut alors forcer l'outil électrique hors de contrôle à tourner dans la direction opposée au sens de rotation de l'accessoire, jusqu'à ce qu'ils se bloquent.

Par exemple, si une meule est accrochée ou pincée par la pièce à travailler, le rebond de la meule qui pénètre dans le point de pincement peut creuser dans la surface du matériau, ce qui peut faire sortir la meule. La meule risque de sauter en direction de l'opérateur ou dans la direction opposée, en fonction du sens de rotation de la meule au niveau du point de pincement. Les meules peuvent également se casser dans certaines conditions.

Le rebond est dû à une mauvaise utilisation de l'outil et/ou à des procédures ou conditions de travail inappropriées. Il peut être évité en prenant les mesures appropriées, telles que celles indiquées ci-dessous.

- a) **Maintenez une prise ferme sur l'outil électrique et positionnez votre corps et vos bras de façon à pouvoir résister aux forces du rebond. Utilisez toujours une poignée auxiliaire, le cas échéant, pour contrôler au maximum les rebonds ou la réaction du couple au démarrage.** L'opérateur peut contrôler les réactions du couple ou les forces du rebond s'il prend les précautions nécessaires.
- b) **Ne placez jamais la main à proximité de l'accessoire rotatif.** L'accessoire risque de rebondir sur votre main.
- c) **Ne positionnez pas votre corps dans la zone où l'outil électrique se déplacera en cas de rebond.** Le rebond propulsera l'outil dans la direction opposée au mouvement de la meule, au point d'accrochage.

- d) **Soyez particulièrement prudent lorsque vous travaillez dans des recoins, sur des rebords tranchants, etc. Évitez de faire rebondir ou d'accrocher l'accessoire.** Les recoins, les rebords tranchants ou les rebonds ont tendance à accrocher l'accessoire rotatif et à provoquer une perte de contrôle ou un rebond.
- e) **Ne fixez pas une lame de sculpteur à chaîne coupante ou une lame de scie dentée.** De telles lames peuvent créer de fréquents rebonds et pertes de contrôle.

#### Consignes de sécurité spécifiques aux opérations de meulage et de tronçonnage :

- a) **N'utilisez que les types de meules qui sont recommandées pour votre outil électrique et le carter spécifique conçu pour la meule sélectionnée.** Les meules pour lesquelles l'outil électrique n'a pas été conçu ne peuvent pas être protégées de manière adéquate et ne sont pas sûres.
- b) **La surface de meulage des meules à moyeu déporté doit être montée sous le plan de la lèvre du carter.** Une meule mal montée qui se projette à travers le plan de la lèvre du carter ne peut pas être correctement protégée.
- c) **Pour une sécurité maximale, le carter doit être solidement fixé à l'outil électrique et positionné pour une sécurité optimale, de manière à exposer la meule au minimum en direction de l'opérateur.** Le carter contribue à protéger l'opérateur des fragments de meule brisée, du contact accidentel avec la meule et des étincelles susceptibles d'enflammer les vêtements.
- d) **Les meules doivent être utilisées uniquement pour les applications recommandées. Par exemple : ne pas meuler avec la face latérale de la meule à tronçonner.** Les meules à tronçonner sont conçues pour un meulage périphérique, les forces latérales appliquées à ces meules peuvent les briser.
- e) **Utilisez toujours des flasques de meule en bon état dont la taille et la forme sont adaptées à la meule que vous avez choisie.** Des flasques de meule appropriés soutiennent la meule, réduisant ainsi le risque de cassure de la meule. Les flasques pour les meules tronçonneuses peuvent être différents des flasques de meule ordinaire.
- f) **N'utilisez pas de meules usées issues d'outils électriques plus grands.** La meule conçue pour les outils électriques plus grands ne convient pas à la vitesse plus élevée d'un outil plus petit et elle risque d'exploser.

#### Consignes de sécurité supplémentaires spécifiques aux opérations de tronçonnage :

- a) **Ne bloquez pas la meule à tronçonner et n'appliquez pas de pression excessive. Ne tentez pas d'effectuer une découpe d'une profondeur excessive.** Une surcharge de la meule augmente la charge et la susceptibilité aux torsions ou coincements de la meule lors de la découpe ainsi que le risque de rebond ou de cassure de la meule.
- b) **Ne positionnez pas votre corps en ligne avec et derrière la meule en mouvement.** Lorsque la meule en fonctionnement s'écarte de votre corps, le rebond

éventuel peut propulser la meule en rotation et l'outil électrique directement sur vous.

- c) **Lorsque la meule se coince ou lors de l'interruption d'une découpe, quelle qu'en soit la raison, éteignez l'outil électrique et maintenez-le immobile jusqu'à ce que la meule s'arrête complètement. Ne tentez jamais de retirer la meule à tronçonner de la coupe lorsque la meule est en mouvement, sans quoi un rebond risque de se produire.** Identifiez la cause du coincement de la lame et prenez les mesures correctives pour éliminer ladite cause.

d) **Ne reprenez pas l'opération de découpe dans la pièce à travailler. Laissez la meule atteindre sa vitesse pleine et rentrez à nouveau dans la coupe avec prudence.** La meule peut se coincer, retourner en arrière ou rebondir si l'outil électrique est redémarré dans la pièce à travailler.

e) **Soutenez les panneaux ou une pièce à travailler de taille excessive pour minimiser les risques de pincement et de rebond de la meule.** Les pièces à travailler de grande dimension ont tendance à s'affaisser sous leur propre poids. Des supports doivent être installés sous la pièce à travailler, près de la ligne de coupe et des rebords de la pièce à travailler, de chaque côté de la meule.

f) **Soyez extrêmement prudent lorsque vous effectuez une coupe en plongée dans un mur ou toute autre surface derrière laquelle peuvent se trouver des objets non visibles.** La meule en saillie peut couper des conduites de gaz ou d'eau, des fils électriques ou des objets qui peuvent provoquer un rebond.

#### Consignes de sécurité particulières aux opérations de ponçage :

- a) **N'utilisez pas de disque de ponçage aux dimensions excessives. Suivez les conseils des fabricants pour sélectionner le papier de verre.** Un papier de verre trop grand qui dépasse du patin de ponçage présente des risques de lacération et peut entraîner un accrochage ou un déchirement du disque ou un rebond.

#### Consignes de sécurité spécifiques aux opérations à la brosse métallique :

- a) **N'oubliez pas que la brosse rejette des fils métalliques, même lors d'un fonctionnement normal. Ne surchargez pas les fils en appliquant une charge excessive sur la brosse.** Les fils métalliques peuvent facilement transpercer des vêtements légers et/ou la peau.
- b) **S'il est conseillé d'utiliser un carter pour la brosse métallique, ne laissez pas la roue métallique ou la brosse interférer avec le carter.** Le diamètre de la roue métallique ou de la brosse peut s'agrandir en raison de la charge de travail et des forces centrifuges.

#### Autres avertissements de sécurité :

16. **Lors de l'utilisation de meules à moyeu déporté, assurez-vous d'utiliser exclusivement des meules renforcées de fibre de verre.**
17. **N'UTILISEZ JAMAIS de meule pour couper la pierre avec cette meuleuse.** Cette meuleuse n'est pas destinée à ce type de meule et l'utilisation de ce

genre de produit peut entraîner de graves blessures corporelles.

18. Prenez garde de ne pas endommager l'axe, le flasque (tout particulièrement la surface d'installation) ou le contre-écrou. La meule risque de casser si ces pièces sont endommagées.
19. Assurez-vous que la meule n'entre pas en contact avec la pièce à travailler avant de mettre l'outil sous tension.
20. Avant d'utiliser l'outil sur la pièce elle-même, laissez-le tourner un instant. Soyez attentif à toute vibration ou sautellement pouvant indiquer que la meule n'est pas bien installée ou qu'elle est mal équilibrée.
21. Utilisez la face spécifiée de la meule pour meuler.
22. N'abandonnez pas l'outil alors qu'il tourne. Ne faites fonctionner l'outil qu'une fois que vous l'avez bien en main.
23. Ne touchez jamais la pièce à travailler juste après l'opération ; elle peut être extrêmement chaude et vous risquez de vous brûler.
24. Pour installer et utiliser correctement la meule, veuillez suivre les instructions du fabricant. Manipulez les meules avec soin et rangez-les en lieu sûr.
25. N'utilisez aucun raccord de réduction ou adaptateur séparé pour adapter un trou de meule trop grand.
26. Utilisez exclusivement les flasques spécifiés pour cet outil.
27. Dans le cas des outils conçus pour l'utilisation avec une meule à trou fileté, assurez-vous que la longueur du filetage de la meule convient à la longueur de l'axe.
28. Assurez-vous que la pièce à travailler est correctement soutenue.
29. Gardez à l'esprit que la meule continue de tourner même une fois le contact coupé sur l'outil.
30. Si le site de travail est extrêmement chaud et humide ou s'il y a beaucoup de poussières conductrices dans l'air, utilisez un coupe-circuit (30 mA) pour assurer votre sécurité.
31. N'utilisez l'outil sur aucun matériau contenant de l'amiante.
32. Lorsque vous utilisez une meule à tronçonner, travaillez toujours avec le carter de collecte des poussières exigé par la réglementation locale.
33. Aucune pression latérale ne doit être appliquée sur le disque pendant la coupe.
34. Ne portez pas de gants de travail en tissu lors de l'utilisation. Les fibres des gants en tissu pourraient pénétrer à l'intérieur de l'outil et l'endommager.

## CONSERVEZ CES INSTRUCTIONS.

### AVERTISSEMENT :

NE vous laissez PAS tromper (au fil d'une utilisation répétée) par un sentiment d'aisance et de familiarité avec le produit, en négligeant le respect rigoureux des consignes de sécurité qui accompagnent l'outil. Une UTILISATION INCORRECTE de l'outil ou le non-respect des consignes de sécurité indiquées dans ce

manuel d'instructions peuvent causer des blessures graves.

## CONSIGNES DE SECURITE IMPORTANTES POUR LA BATTERIE

ENC007-12

1. Avant d'utiliser la batterie, veuillez lire toutes les instructions et tous les avertissements inscrits sur (1) le chargeur, (2) la batterie et (3) l'appareil alimenté par la batterie.
2. Ne démontez pas la batterie.
3. Cessez immédiatement d'utiliser l'outil si le temps de fonctionnement devient excessivement court. Il y a risque de surchauffe, de brûlures, voire d'explosion.
4. Si l'électrolyte pénètre dans vos yeux, rincez-les à l'eau claire et consultez immédiatement un médecin. Il y a risque de perte de la vue.
5. Évitez de court-circuiter la batterie :
  - (1) Ne touchez les bornes avec aucun matériau conducteur.
  - (2) Évitez de ranger la batterie dans un contenant où se trouvent d'autres objets métalliques tels que des clous, pièces de monnaie, etc.
  - (3) N'exposez pas la batterie à l'eau ou à la pluie. Un court-circuit de la batterie risque de provoquer un fort courant, une surchauffe, parfois des brûlures et même une panne.
6. Ne rangez pas l'outil ou la batterie dans des endroits où la température risque d'atteindre ou de dépasser 50 °C (122 °F).
7. Ne jetez pas la batterie au feu même si elle est sérieusement endommagée ou complètement épuisée. La batterie peut exploser au contact du feu.
8. Veillez à ne pas laisser tomber ou heurter la batterie.
9. N'utilisez pas de batterie endommagée.
10. Les batteries au lithium-ion contenues sont soumises aux exigences de la législation sur les marchandises dangereuses.

Lors du transport commercial par des tierces parties ou des transitaires par exemple, des exigences spécifiques en matière d'étiquetage et d'emballage doivent être respectées.

Pour la préparation de l'article expédié, il est nécessaire de consulter un expert en matériel dangereux. Veuillez également respecter les réglementations nationales susceptibles d'être plus détaillées.

Recouvrez les contacts exposés avec du ruban adhésif ou du ruban de masquage et emballez la batterie de telle sorte qu'elle ne puisse pas bouger dans l'emballage.
11. Respectez les réglementations locales relatives à la mise au rebut des batteries.
12. Utilisez les batteries uniquement avec les produits spécifiés par Makita. L'installation des batteries sur des produits non conformes peut entraîner un incendie, une chaleur excessive, une explosion ou une fuite d'électrolyte.

## CONSERVEZ CES INSTRUCTIONS.

**⚠ ATTENTION :** N'utilisez que des batteries Makita d'origine.

L'utilisation de batteries de marque autre que Makita ou de batteries modifiées peut provoquer l'explosion des batteries, ce qui présente un risque d'incendie, de dommages matériels et corporels. Cela annulera également la garantie Makita pour l'outil et le chargeur Makita.

### Conseils pour assurer la durée de vie optimale de la batterie

1. **Rechargez la batterie avant qu'elle ne soit complètement épuisée.**  
**Arrêtez toujours l'outil et rechargez la batterie quand vous constatez que la puissance de l'outil diminue.**
2. **Ne rechargez jamais une batterie complètement chargée.**  
**La surcharge réduit la durée de service de la batterie.**
3. **Chargez la batterie alors que la température de la pièce se trouve entre 10 °C et 40 °C (50 °F et 104 °F). Si une batterie est chaude, laissez-la refroidir avant de la charger.**
4. **Chargez la batterie si vous ne l'avez pas utilisée pendant une longue période (plus de six mois).**

## DESCRIPTION DU FONCTIONNEMENT

**⚠ ATTENTION :**

- Veillez toujours à ce que l'outil soit éteint et la batterie retirée avant d'effectuer des réglages ou de vérifier le fonctionnement de l'outil.

### Installation ou retrait de la batterie (Fig. 1)

**⚠ ATTENTION :**

- Éteignez toujours l'outil avant d'installer ou de retirer la batterie.
- **Tenez fermement l'outil et la batterie lors de l'installation ou du retrait de la batterie.** Si vous ne tenez pas fermement l'outil et la batterie, ils risquent de glisser et de s'abîmer ou de vous blesser.

Pour retirer la batterie, faites glisser le bouton à l'avant de la batterie et sortez la batterie.

Pour installer la batterie, alignez sa languette sur la rainure qui se trouve à l'intérieur du capot, puis faites glisser la batterie pour la mettre en place. Insérez-la bien à fond, jusqu'à ce qu'elle se verrouille en émettant un léger clic. Si vous pouvez voir le voyant rouge sur la face supérieure du bouton, la batterie n'est pas parfaitement verrouillée.

**⚠ ATTENTION :**

- Installez toujours la batterie à fond, de sorte que le voyant rouge ne soit plus visible. Sinon, elle risque de tomber accidentellement de l'outil, en vous blessant ou en blessant une personne située près de vous.

- Ne forcez pas pour installer la batterie. Si la batterie ne glisse pas aisément, elle n'est pas insérée correctement.

### Interrupteurs

**⚠ ATTENTION :**

- Avant d'installer la batterie dans l'outil, vérifiez toujours que l'interrupteur à glissière fonctionne bien et revient en position d'ARRÊT lorsque vous enfoncez sa partie arrière.
- Le commutateur peut être verrouillé en position de MARCHE pour le confort de l'opérateur pendant un usage prolongé. Soyez vigilant lorsque vous verrouillez l'outil en position de MARCHE et gardez-le bien en main.

Pour démarrer l'outil, faites glisser l'interrupteur à glissière vers la position « I » (MARCHE) en appuyant sur sa partie arrière. Pour une utilisation continue, appuyez sur la partie avant de l'interrupteur à glissière pour le verrouiller. Pour arrêter l'outil, appuyez sur la partie arrière de l'interrupteur à glissière, puis glissez ce dernier en position « O » (ARRÊT). (Fig. 2)

### Fonction de prévention des redémarrages accidentels

Même si la batterie est installée dans l'outil alors que l'interrupteur à glissière se trouve en position « I » (MARCHE), l'outil ne démarre pas.

Pour démarrer l'outil, glissez d'abord l'interrupteur à glissière vers la position « O » (ARRÊT) puis glissez-le vers la position « I » (MARCHE).

### Fonction de commande de couple électronique

L'outil détecte électroniquement les situations qui présentent un risque de coincement de la meule ou de l'accessoire. Dans ce cas, l'outil s'éteint automatiquement pour éviter que l'axe continue de tourner (cela n'empêche pas les rebonds).

Pour redémarrer l'outil, commencez par l'éteindre, corrigez le problème ayant entraîné une chute soudaine de la vitesse de rotation, puis mettez l'outil sous tension.

### Indication de l'autonomie restante de la batterie

**Uniquement pour les batteries avec voyant (Fig. 3)**

Appuyez sur le bouton de vérification pour indiquer l'autonomie restante de la batterie. Les voyants s'allument alors pendant quelques secondes.

Voyants			Autonomie restante
Allumé	Éteint	Clignotant	
			75 % à 100 %
			50 % à 75 %
			25 % à 50 %
			0 % à 25 %
			Recharger la batterie.
			Il est possible que la batterie ait mal fonctionné.

015658

#### REMARQUE :

- Selon les conditions d'utilisation et la température ambiante, les indications peuvent différer légèrement de l'autonomie réelle restante.

### Indication de l'autonomie restante de la batterie

(varie selon les pays) (Fig. 4)

Lorsque vous mettez l'outil sous tension, le voyant de batterie indique l'autonomie restante de la batterie. Les différentes autonomies restantes de la batterie sont présentées dans le tableau suivant.

État du voyant de la batterie	Autonomie restante de la batterie
: allumé    : éteint    : clignotant	
	50 % à 100 %
	20 % à 50 %
	0 % à 20 %
	Recharger la batterie

015096

### Fonction de changement de vitesse automatique (Fig. 5)

État du voyant de mode	Mode de fonctionnement
	Mode vitesse élevée
	Mode couple élevé

015098

Cet outil dispose d'un « mode vitesse élevée » et d'un « mode couple élevé ». Il change automatiquement de mode de fonctionnement selon la charge utile. Si le voyant de mode s'allume pendant le fonctionnement, l'outil est en mode couple élevé.

### Système de protection de l'outil/la batterie

L'outil est équipé d'un système de protection de l'outil/la batterie. Ce système coupe automatiquement l'alimentation en électricité vers le moteur afin de prolonger la durée de vie de l'outil et de la batterie. L'outil s'arrête automatiquement pendant le fonctionnement lorsque celui-ci ou la batterie se trouve dans l'une des situations suivantes. Dans certains cas, le voyant s'allume.

#### Protection contre les surcharges

Si l'outil est utilisé de telle sorte qu'il entraîne une augmentation anormalement élevée de la demande de courant, il s'arrête automatiquement sans aucune précision. Dans ce cas, mettez l'outil hors tension et arrêtez l'application ayant provoqué la surcharge de l'outil. Mettez ensuite l'outil sous tension pour le redémarrer.

#### Protection contre les surchauffes de l'outil

Si l'outil est en surchauffe, il s'arrête automatiquement et le voyant de batterie présente l'état suivant. Dans ce cas, laissez l'outil refroidir avant de le remettre sous tension.

Voyant de batterie	: allumé	: éteint	: clignotant
	L'outil est en surchauffe		

015140

#### Déverrouillage de la protection

Si le système de protection est activé de façon répétée, l'outil se verrouille et le voyant de batterie présente les états suivants.

Voyant de batterie	: allumé	: éteint	: clignotant
	Protection activée		

015200

Dans ce cas, l'outil ne démarre pas, même si vous le mettez hors tension puis de nouveau sous tension. Pour

déverrouiller la protection, retirez la batterie, placez-la sur le chargeur de batterie et attendez la fin du chargement.

## Blocage de l'arbre

### ATTENTION :

- N'activez jamais le blocage de l'arbre alors que l'axe bouge. Vous pourriez endommager l'outil.

Appuyez sur le blocage de l'arbre pour empêcher l'axe de tourner lors de l'installation ou du retrait des accessoires. (Fig. 6)

## MONTAGE

### ATTENTION :

- Assurez-vous toujours que l'outil est hors tension et la batterie retirée avant d'effectuer toute intervention sur l'outil.

## Installation de la poignée latérale (manche)

### ATTENTION :

- Avant d'utiliser l'outil, assurez-vous toujours que la poignée latérale est installée de façon sûre.

Vissez la poignée latérale à fond sur la position prévue, comme indiqué sur la figure. (Fig. 7)

## Installation ou retrait du carter de meule (pour meule à moyeu déporté, multidisques/meule à tronçonner, meule diamantée)

### AVERTISSEMENT :

- Lors de l'utilisation d'une meule à moyeu déporté/d'un multidisque, d'une meule souple, d'une brosse roue métallique, d'une meule à tronçonner ou d'une meule diamantée, le carter de meule doit être installé sur l'outil de sorte que la partie fermée du carter soit toujours orientée vers l'utilisateur.
- Lorsque vous utilisez une meule à tronçonner/meule diamantée, veillez à utiliser uniquement le carter de meule spécifique, conçu pour être utilisé avec des meules à tronçonner. (Dans certains pays d'Europe, en cas d'utilisation d'une meule diamantée, un carter classique peut être utilisé. Suivez les réglementations de votre pays.)

## Pour les outils équipés d'un carter de meule de type à levier de serrage

Desserrez le levier sur le carter de meule après avoir desserré la vis. Montez le carter de meule en alignant la partie saillante de la bande du carter sur l'entaille du boîtier d'engrenage. Faites ensuite pivoter le carter de meule selon un angle qui permette de protéger l'utilisateur selon le travail à exécuter. (Fig. 8)

Serrez le levier pour fixer le carter de meule. Si le levier est trop serré ou trop lâche pour permettre de fixer le carter de meule, desserrez ou serrez la vis afin d'ajuster le serrage de la bande du carter de meule. (Fig. 9)

Pour retirer le carter de meule, suivez la procédure d'installation en sens inverse.

## Pour les outils équipés d'un carter de meule de type à vis de verrouillage (Fig. 10)

Montez le carter de meule en alignant les parties saillantes de la bande du carter de meule sur les entailles du boîtier d'engrenage. Faites ensuite pivoter le carter de meule à 180° dans le sens inverse des aiguilles d'une montre. Assurez-vous d'avoir serré la vis fermement. Pour retirer le carter de meule, suivez la procédure d'installation en sens inverse.

## Installation ou retrait d'une meule à moyeu déporté ou d'un disque à lamelles (accessoire en option)

### AVERTISSEMENT :

- Lors de l'utilisation d'une meule à moyeu déporté ou d'un disque à lamelles, vous devez installer le carter de meule sur l'outil, de sorte que la partie fermée du carter soit toujours orientée vers l'opérateur.
- Activez uniquement le blocage de l'arbre lorsque l'axe ne bouge pas.

Montez le flasque intérieur sur l'axe. Ajustez la meule/le disque sur le flasque intérieur et vissez le contre-écrou sur l'axe. (Fig. 11)

Pour serrer le contre-écrou, appuyez à fond sur le blocage de l'arbre pour empêcher l'axe de tourner, puis utilisez la clé à contre-écrou pour serrer fermement dans le sens des aiguilles d'une montre. (Fig. 12)

Pour retirer la meule, suivez la procédure d'installation en sens inverse.

## Installation ou retrait d'un Ezynut (accessoire en option)

### ATTENTION :

- N'utilisez pas d'Ezynut avec un super flasque ou une meuleuse d'angle dont le numéro de modèle se termine par la lettre « F ». Ces flasques sont si épais que l'axe n'est pas en mesure de retenir l'ensemble du filetage.

Montez le flasque intérieur, la meule abrasive et l'Ezynut sur l'axe, de sorte que le logo Makita sur l'Ezynut apparaisse à l'extérieur. (Fig. 13)

Appuyez fermement sur le blocage de l'arbre et serrez l'Ezynut en tournant à fond la meule abrasive dans le sens des aiguilles d'une montre.

Tournez l'anneau extérieur de l'Ezynut dans le sens inverse des aiguilles d'une montre pour le desserrer. (Fig. 14)

### REMARQUE :

- Vous pouvez desserrer l'Ezynut à la main tant que la flèche est orientée vers l'entaille. Dans le cas contraire, vous aurez besoin d'une clé à contre-écrou pour le desserrer. Insérez l'une des broches de la clé dans un orifice et tournez l'Ezynut dans le sens inverse des aiguilles d'une montre. (Fig. 15 et 16)

## Pose ou dépose de la meule flexible

### Accessoire en option

### AVERTISSEMENT :

- Lorsque la meule flexible est posée sur l'outil, utilisez toujours le carter de protection fourni. La

meule peut se briser en éclats pendant l'utilisation ; le cas échéant, le carter contribue à réduire les risques de blessure. (Fig. 17)

Suivez les instructions pour la meule à moyeu déporté, mais posez également la semelle sur la meule. Pour l'ordre d'assemblage, reportez-vous à la page des accessoires dans le présent manuel.

## Installation ou retrait d'un disque abrasif (accessoire en option) (Fig. 18)

Montez le plateau en caoutchouc sur l'axe. Ajustez le disque sur le plateau en caoutchouc et vissez le contre-écrou sur l'axe. Pour serrer le contre-écrou, appuyez fermement sur le blocage de l'arbre pour empêcher l'axe de tourner, puis utilisez la clé à contre-écrou pour serrer fermement dans le sens des aiguilles d'une montre. Pour retirer le disque, suivez la procédure d'installation en sens inverse.

### REMARQUE :

- Utilisez les accessoires de ponçage spécifiés dans le présent manuel. Ceux-ci doivent être achetés séparément.

## FONCTIONNEMENT

### ⚠ AVERTISSEMENT :

- Il n'est jamais nécessaire de forcer l'outil. Le poids de l'outil lui-même suffit à assurer une pression adéquate. En forçant l'outil ou en appliquant une pression excessive dessus, vous courez le risque dangereux de casser la meule.
- Remplacez TOUJOURS la meule si vous laissez tomber l'outil pendant le meulage.
- Ne frappez JAMAIS le disque de meulage ou la meule contre la pièce à travailler.
- Évitez de laisser la meule sautiller ou accrocher, tout spécialement lorsque vous travaillez dans les coins, sur les bords tranchants, etc. Cela peut causer une perte de contrôle et un choc en retour.
- N'utilisez JAMAIS cet outil avec des lames à bois et d'autres lames de scie. Ce type de lame saute fréquemment lorsqu'il est utilisé sur une meuleuse et risque d'entraîner une perte de contrôle pouvant causer des blessures.

### ⚠ ATTENTION :

- Pour éviter de vous blesser, ne mettez jamais l'outil en marche alors qu'il se trouve en contact avec la pièce à travailler.
- Pendant l'utilisation, portez toujours des lunettes de sécurité ou un masque de protection.
- Après l'utilisation, mettez toujours l'outil hors tension et attendez l'arrêt complet de la meule avant de reposer l'outil.

## Meulage et ponçage (Fig. 19)

Tenez TOUJOURS l'outil fermement en posant une main sur le carter et l'autre main sur le manche latéral. Mettez l'outil en marche puis posez la meule ou le disque sur la pièce à travailler.

En général, vous devez maintenir le bord de la meule ou du disque sur un angle d'environ 15 degrés par rapport à la surface de la pièce à travailler.

Pendant la période de rodage d'une meule neuve, ne faites pas avancer la meuleuse dans le sens B, sinon elle risque de couper la pièce à travailler. Une fois le tranchant de la meule émoussé par son utilisation, la meule peut être utilisée dans les sens A et B.

## Utilisation avec une meule à tronçonner abrasive/meule diamantée

### Accessoire en option

### ⚠ AVERTISSEMENT :

- **Pendant l'utilisation d'une meule à tronçonner abrasive/meule diamantée, vous devez utiliser exclusivement le carter de meule spécialement conçu pour les meules à tronçonner.** (Dans certains pays d'Europe, il est possible d'utiliser le carter de protection ordinaire avec une meule diamantée. Respectez la réglementation en vigueur dans votre pays.)
- **N'utilisez JAMAIS une meule à tronçonner pour faire du meulage latéral.**
- **Évitez de « bloquer » la meule ou d'appliquer une pression excessive. N'essayez pas de couper trop profondément.** Un travail trop intense augmente la charge de l'outil, peut forcer la meule à se tordre ou à coincer dans la pièce, ce qui comporte un risque de choc en retour, d'éclatement de la meule ou de surchauffe du moteur.
- **Ne commencez pas la coupe avec l'outil engagé dans la pièce à travailler. Attendez que la meule ait atteint sa pleine vitesse, puis faites pénétrer l'outil prudemment dans la ligne de coupe en le faisant avancer à la surface de la pièce à travailler.** La meule peut se coincer, remonter hors de la ligne de coupe ou effectuer un choc en retour si vous faites démarrer l'outil électrique alors qu'il est engagé dans la pièce à travailler.
- **Ne modifiez jamais l'angle de la meule pendant l'exécution de la coupe.** L'application d'une pression latérale sur la meule à tronçonner (comme pour le meulage) fera se fissurer et éclater la meule, ce qui comporte un risque de blessure grave.
- **Une meule diamantée doit être utilisée perpendiculairement au matériau à couper.** (Fig. 20)

Pour la pose, suivez les instructions de la meule à moyeu déporté.

**Le sens de montage du contre-écrou et du flasque intérieur varie suivant le type et l'épaisseur de la meule.**

Reportez-vous aux figures suivantes.

## Pour le modèle 100 mm

Lors de la pose de la meule à tronçonner abrasive : (Fig. 21)

Lors de la pose de la meule diamantée : (Fig. 22)

## Pour le modèle 115 mm/125 mm

Lors de la pose de la meule à tronçonner abrasive : (Fig. 23)

Lors de la pose de la meule diamantée : (Fig. 24)

## Utilisation avec une brosse coupe métallique (accessoire en option)

### ATTENTION :

- Vérifiez le fonctionnement de la brosse en actionnant l'outil à vide, après vous être assuré que personne ne se trouve face à ou dans le prolongement de la brosse.
- N'utilisez pas de brosse endommagée ou déséquilibrée. L'utilisation d'une brosse endommagée est susceptible d'augmenter les risques de blessure par contact avec des fils brisés.

Retirez la batterie de l'outil et placez celui-ci à l'envers en facilitant l'accès à l'axe. Retirez tous les accessoires montés sur l'axe. Placez la brosse coupe métallique sur l'axe et serrez-la avec la clé fournie. Lors de l'utilisation de la brosse, évitez d'appliquer une pression trop importante provoquant une courbure excessive des fils et entraînant une rupture prématurée. (Fig. 25)

## Utilisation avec une brosse roue métallique (accessoire en option)

### ATTENTION :

- Vérifiez le fonctionnement de la brosse roue métallique en actionnant l'outil à vide, après vous être assuré que personne ne se trouve face à ou dans le prolongement de la brosse roue métallique.
- N'utilisez pas de brosse roue métallique endommagée ou déséquilibrée. L'utilisation d'une brosse roue métallique endommagée est susceptible d'augmenter les risques de blessure par contact avec des fils brisés.
- Utilisez TOUJOURS le carter de meule avec des brosses roue métalliques, en vous assurant que le diamètre de la meule est inférieur à celui du carter. Comme la meule peut se rompre pendant l'utilisation, le carter de meule réduit les risques de blessure.

Retirez la batterie de l'outil et placez celui-ci à l'envers en facilitant l'accès à l'axe. Retirez tous les accessoires montés sur l'axe. Faites passer la brosse roue métallique sur l'axe et serrez-la avec les clés. (Fig. 26)

Lors de l'utilisation de la brosse roue métallique, évitez d'appliquer une pression trop importante susceptible de provoquer une courbure excessive des fils et une rupture prématurée.

## ENTRETIEN

### ATTENTION :

- Assurez-vous toujours que l'outil est hors tension et que la batterie est retirée avant d'y effectuer tout travail d'inspection ou d'entretien.
- N'utilisez jamais d'essence, de benzine, de diluant, d'alcool ou de produit similaire. Ces produits risquent de provoquer des décolorations, des déformations ou des fissures.

L'outil et ses orifices d'aération doivent être maintenus propres. Nettoyez les orifices d'aération de l'outil régulièrement ou chaque fois qu'ils commencent à se boucher. (Fig. 27)

Retirez le capuchon anti-poussière de l'entrée d'air et nettoyez-le pour faciliter la circulation de l'air. (Fig. 28)

### REMARQUE :

- Nettoyez le capuchon anti-poussière lorsqu'il est obstrué par de la poussière ou des corps étrangers. Le

fonctionnement continu lorsque le capuchon anti-poussière est obstrué risque d'endommager l'outil. Pour garantir la SÉCURITÉ et la FIABILITÉ du produit, les réparations ainsi que tout autre travail d'entretien ou de réglage doivent être effectués dans un centre d'entretien Makita agréé, exclusivement avec des pièces de rechange Makita.

## ACCESSOIRES FOURNIS EN OPTION

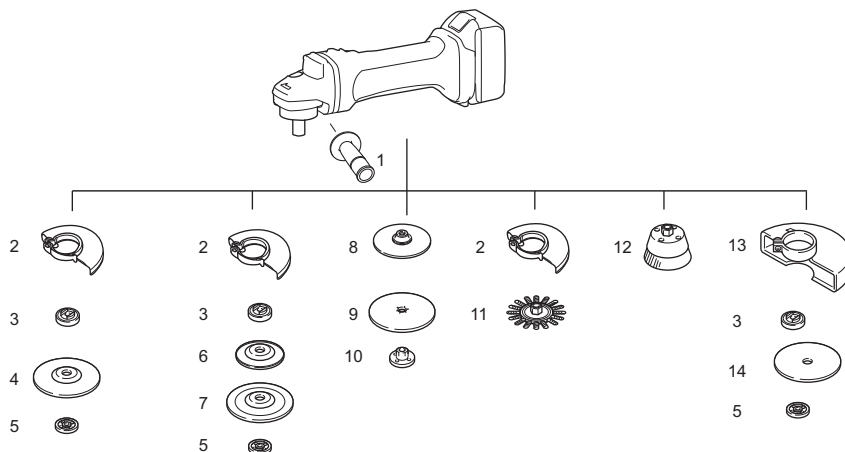
### ATTENTION :

- Ces accessoires ou pièces complémentaires sont recommandés pour être utilisés avec l'outil Makita spécifié dans ce mode d'emploi. L'utilisation de tout autre accessoire ou pièce complémentaire peut comporter un risque de blessure. N'utilisez les accessoires ou pièces qu'aux fins auxquelles ils ont été conçus.

Pour obtenir plus de détails sur ces accessoires, contactez votre Centre de service local Makita.

- Batterie et chargeur Makita d'origine





	Modèle 100 mm	Modèle 115 mm	Modèle 125 mm
1	Poignée 36		
2	Carter de meule (pour meule ordinaire)		
3	Flasque intérieur	Flasque intérieur/ Super flasque *1*2	Flasque intérieur/Super flasque
4	Meule à moyeu déporté/Disque à lamelles		
5	Contre-écrou	Contre-écrou/écrou Ezynut *1*2	Contre-écrou/écrou Ezynut *2
6	Semelle		
7	Meule flexible		
8	Coussinet de caoutchouc 76	Coussinet de caoutchouc 100	Coussinet de caoutchouc 115
9	Disque abrasif		
10	Contre-écrou de ponçage		
11	Brosse métallique circulaire		
12	Brosse métallique à coupelle		
13	Carter de meule (pour meule à tronçonner) *3		
14	Meule à tronçonner abrasive/Meule diamantée		
-	Clé à contre-écrou		

**Remarque :**

\*1 Uniquement pour les outils avec filetage de l'axe M14.

\*2 N'utilisez pas ensemble le Super flasque et l'écrou Ezynut.

\*3 Dans certains pays d'Europe, avec une meule diamantée, il est possible d'utiliser le carter de protection ordinaire au lieu du carter spécial qui recouvre les deux côtés de la meule. Respectez la réglementation en vigueur dans votre pays.

015100-2

**REMARQUE :**

- Certains éléments de la liste peuvent être inclus en tant qu'accessoires standard dans le coffret de l'outil envoyé. Ils peuvent varier suivant les pays.

**Bruit**

ENG905-1

Les niveaux de bruit pondéré A typiques ont été mesurés selon la norme EN60745 :

**Modèle DGA404**

Niveau de pression sonore ( $L_{pA}$ ) : 80 dB (A)

Niveau de puissance sonore ( $L_{WA}$ ) : 91 dB (A)

Incertitude (K) : 3 dB (A)

### Modèle DGA454, DGA504

Niveau de pression sonore ( $L_{pA}$ ) : 79 dB (A)

Incertitude (K) : 3 dB (A)

Le niveau de bruit peut dépasser 80 dB (A) lors de l'utilisation.

**Portez des protections auditives.**

### Vibrations

ENG900-1

La valeur totale de vibration (somme du vecteur triaxial) a été déterminée selon la norme EN60745 :

#### Modèle DGA404

Mode de fonctionnement : meulage de surface avec poignée latérale normale

Émission des vibrations ( $a_{h,AG}$ ) : 4,5 m/s<sup>2</sup>

Incertitude (K) : 1,5 m/s<sup>2</sup>

Mode de fonctionnement : meulage de surface avec poignée latérale anti-vibrations

Émission des vibrations ( $a_{h,AG}$ ) : 4,0 m/s<sup>2</sup>

Incertitude (K) : 1,5 m/s<sup>2</sup>

Mode de fonctionnement : ponçage au disque

Émission des vibrations ( $a_{h,DS}$ ) : 2,5 m/s<sup>2</sup> au maximum

Incertitude (K) : 1,5 m/s<sup>2</sup>

#### Modèle DGA454, DGA504

Mode de fonctionnement : meulage de surface avec poignée latérale normale

Émission des vibrations ( $a_{h,AG}$ ) : 6,5 m/s<sup>2</sup>

Incertitude (K) : 1,5 m/s<sup>2</sup>

Mode de fonctionnement : meulage de surface avec poignée latérale anti-vibrations

Émission des vibrations ( $a_{h,AG}$ ) : 6,0 m/s<sup>2</sup>

Incertitude (K) : 1,5 m/s<sup>2</sup>

Mode de fonctionnement : ponçage au disque

Émission des vibrations ( $a_{h,DS}$ ) : 2,5 m/s<sup>2</sup> au maximum

Incertitude (K) : 1,5 m/s<sup>2</sup>

ENG902-1

- La valeur de l'émission des vibrations déclarée a été mesurée conformément à la méthode de test standard et peut être utilisée afin de comparer des outils entre eux.
- La valeur de l'émission des vibrations déclarée peut également être utilisée lors d'une évaluation préliminaire de l'exposition.
- La valeur de l'émission des vibrations déclarée est utilisée pour les principales applications de l'outil électrique. Cependant, si l'outil est utilisé pour d'autres applications, la valeur de l'émission des vibrations peut être différente.

### AVERTISSEMENT :

- Selon la manière dont l'outil est utilisé, il est possible que l'émission des vibrations pendant l'utilisation réelle de l'outil électrique diffère de la valeur de l'émission déclarée.
- Veillez à identifier les mesures de sécurité destinées à protéger l'opérateur et établies à partir de l'estimation de l'exposition dans les conditions réelles d'utilisation (en prenant en compte toutes les étapes du cycle de fonctionnement, telles que les périodes de mise hors tension de l'outil, les périodes de fonctionnement au ralenti et les périodes de mise en route).

### Déclaration de conformité CE

#### **Pour les pays d'Europe uniquement**

La Déclaration de conformité CE figure en Annexe A du présent mode d'emploi.

# DEUTSCH (Originalanweisungen)

## Erklärung der Gesamtdarstellung

- |                                   |  |   |
|-----------------------------------|--|---|
| 1. Taste                          | 16. Innenflansch                           | 29. Schutzhaube für<br>Trennschleifscheibe/   |
| 2. Roter Bereich                  | 17. Sicherungsmutterschlüssel              | Diamantscheibe                                |
| 3. Akkublock                      | 18. Ezy-Mutter                             | 30. Trennschleifscheibe<br>(dünner als 4 mm)  |
| 4. Schiebeschalter                | 19. Schleifscheibe                         | 31. Trennschleifscheibe<br>(4 mm oder dicker) |
| 5. Anzeigenlampe                  | 20. Spindel                                | 32. Diamantscheibe (dünner als 4 mm)          |
| 6. Akkuprüftaste                  | 21. Pfeil                                  | 33. Diamantscheibe (4 mm oder dicker)         |
| 7. Anzeige Akkuladestatus         | 22. Einkerbung                             | 34. Topfdrabtbürste                           |
| 8. Anzeige Betriebsart            | 23. Flexscheibe                            | 35. Drahrundbürste                            |
| 9. Spindelarretierung             | 24. Stützsteller                           | 36. Lüftungsschlitz                           |
| 10. Schutzhaube                   | 25. Schmirgel-Sicherungsmutter             | 37. Schlitz für Lufteintritt                  |
| 11. Lagergehäuse                  | 26. Schleifscheibe                         | 38. Staubfänger                               |
| 12. Schraube                      | 27. Gummiteller                            |   |
| 13. Hebel                         | 28. Trennschleifscheibe/<br>Diamantscheibe |   |
| 14. Sicherungsmutter              |  |   |
| 15. Gekröpfte Trennschleifscheibe |  |   |

## TECHNISCHE DATEN

Modell		DGA404	DGA454	DGA504
Scheibendurchmesser		100 mm (4")	115 mm (4-1/2")	125 mm (5")
Max. Scheibendicke		6,4 mm (1/4")	6,4 mm (1/4")	6,4 mm (1/4")
Spindelgewinde		M10	M14 oder 5/8" (länderspezifisch)	
Nennrehzahl (n)/Leerlaufrehzahl (n <sub>0</sub> )		8.500 min <sup>-1</sup>		
Gesamtlänge	Mit Akkublock BL1815N, BL1820, BL1820B	348 mm		
	Mit Akkublock BL1830, BL1830B, BL1840, BL1840B, BL1850, BL1850B, BL1860B	362 mm		
Nettogewicht	Mit Akkublock BL1815N, BL1820, BL1820B	2,2 kg	2,3 kg	2,3 kg
	Mit Akkublock BL1830, BL1830B, BL1840, BL1840B, BL1850, BL1850B, BL1860B	2,4 kg	2,5 kg	2,5 kg
Nennspannung		18 V Gleichspannung		

- Aufgrund unserer beständigen Forschungen und Weiterentwicklungen sind Änderungen an den hier angegebenen Technischen Daten ohne Vorankündigung vorbehalten.
- Die Technischen Daten und der Akkublock können in den einzelnen Ländern Abweichungen aufweisen.
- Gewicht, mit Akkublock, ermittelt gemäß EPTA-Verfahren 01/2003

### Verwendungszweck

ENE048-1

Das Werkzeug ist für das Schleifen, Schmirgeln und Schneiden von Metall und Stein ohne Verwendung von Wasser vorgesehen.

## Allgemeine Sicherheitshinweise für Elektrowerkzeuge

GEA010-1

**⚠️ WARNUNG** Lesen Sie alle Sicherheitshinweise und Anweisungen sorgfältig durch. Wenn die Hinweise und Anweisungen nicht beachtet werden, besteht die Gefahr eines Stromschlags, Brands und/oder das Risiko von ernsthaften Verletzungen.

**Bewahren Sie alle Hinweise und Anweisungen zur späteren Referenz gut auf.**

## SICHERHEITSHINWEISE FÜR AKKU-SCHLEIFER

GEB059-4

**Allgemeine Sicherheitshinweise für das Schleifen, Schmirgeln, Drahtbürsten oder Trennschleifen:**

1. Dieses Werkzeug wurde für die Verwendung zum Schleifen, Schmirgeln, Drahtbürsten oder Trennen hergestellt. Lesen Sie alle Sicherheitshinweise, Anweisungen, Abbildungen und Spezifikationen durch, die mit diesem Elektrowerkzeug geliefert wurden. Werden nicht alle der unten aufgeführten Anweisungen befolgt, besteht die Gefahr eines Stromschlags, Brands und/oder die Gefahr schwerer Verletzungen.
2. Andere Arbeiten, wie zum Beispiel Polieren, sollten nicht mit diesem Elektrowerkzeug durchgeführt werden. Bei Arbeiten, für die das Elektrowerkzeug nicht vorgesehen ist, kann es zu gefährlichen Situationen und zu Verletzungen kommen.

3. **Verwenden Sie nur Zubehör, das vom Hersteller des Geräts entwickelt oder vom Hersteller ausdrücklich empfohlen wurde.** Nur weil Sie ein bestimmtes Zubehör am Werkzeug befestigen können, bedeutet dies nicht, dass die Verwendung gefahrlos möglich ist.
  4. **Die Nenn Drehzahl des Zubehörs muss mindestens der auf dem Elektrowerkzeug angegebenen Höchst Drehzahl entsprechen.** Zubehör, das mit einer höheren Drehzahl als der zulässigen Drehzahl betrieben wird, kann zerbersten, wobei Teile mit hoher Geschwindigkeit durch die Luft fliegen.
  5. **Außendurchmesser und Dicke von Zubehör müssen innerhalb der Nennwerte des Elektrowerkzeugs liegen.** Zubehör in unzulässiger Größe kann nicht angemessen abgedeckt oder betrieben werden.
  6. **Bei Gewindemontage muss das Zubehörteil auf das Gewinde der Schleifspindel passen. Bei Flanschmontage muss die Bohrung des Zubehörteils die richtige Größe für den Flansch besitzen.** Zubehörteile, die nicht den Montageteilen des Elektrowerkzeugs entsprechen, laufen exzentrisch, schwingen stark und führen zum Kontrollverlust.
  7. **Verwenden Sie kein beschädigtes Zubehör. Überprüfen Sie vor jeder Verwendung das Zubehör, beispielsweise die Schleifscheiben auf Splitter und Risse, die Stützlager auf Risse, Abrisse oder übermäßigen Verschleiß, und die Drahtbürsten auf lose oder gebrochene Borsten. Wenn das Elektrowerkzeug über ein Zubehör zu Boden gefallen sein sollte, überprüfen Sie Werkzeug bzw. Zubehör auf Beschädigungen und tauschen Sie ggf. beschädigte Teile gegen unbeschädigte Teile aus. Nachdem Sie das Zubehör überprüft und montiert haben, halten Sie und Umstehende Abstand vom rotierenden Zubehörteil, und lassen Sie das Elektrowerkzeug eine Minute mit maximaler Leerlaufdrehzahl laufen.** Möglicherweise beschädigtes Zubehör würde üblicherweise innerhalb dieser Testzeit zerbersten.
  8. **Tragen Sie Schutzausrüstung. Tragen Sie je nach Arbeitsaufgabe einen Gesichtsschild oder eine Schutzbrille. Soweit angemessen, tragen Sie Staubmaske, Gehörschutz, Schutzhandschuhe oder Spezialschürze, um kleine Schleif- und Materialpartikel von Ihnen fernzuhalten.** Der Augenschutz muss umherfliegende Fremdkörper abhalten können, die bei verschiedenen Arbeiten auftreten können. Die Staub- oder Atemschutzmaske muss Partikel herausfiltern können, die bei verschiedenen Arbeiten entstehen. Lange und intensive Lärmeinwirkung kann zu Gehörverlust führen.
  9. **Achten Sie darauf, dass Umstehende den Sicherheitsabstand zum Arbeitsbereich einhalten. Jeder, der den Arbeitsbereich betritt, muss eine Schutzausrüstung tragen.** Splitter des Werkstücks oder eines geborstenen Zubehörteils können umherfliegen und auch außerhalb des eigentlichen Arbeitsbereichs noch zu Verletzungen führen.
  10. **Halten Sie das Elektrowerkzeug ausschließlich an den isolierten Griffflächen, wenn Sie unter Bedingungen arbeiten, bei denen das Schneidwerkzeug verborgene Kabel berühren kann.** Bei Kontakt mit einem stromführenden Kabel wird der Strom an die Metallteile des Elektrowerkzeugs und dadurch an den Bediener weitergeleitet, und der Bediener erleidet einen Stromschlag.
  11. **Legen Sie das Elektrowerkzeug erst ab, nachdem rotierendes Zubehör zum völligen Stillstand gekommen ist.** Das rotierende Zubehör könnte in Kontakt mit der Auflagefläche kommen, sodass Sie die Kontrolle über das Elektrowerkzeug verlieren.
  12. **Lassen Sie das Elektrowerkzeug nicht in Betrieb, während Sie es tragen.** Ihre Kleidung könnte durch versehentlichen Kontakt mit dem sich drehenden Zubehör erfasst werden, wodurch sich das Zubehör in Ihren Körper bohren könnte.
  13. **Reinigen Sie die Lüftungsschlitze des Elektrowerkzeugs regelmäßig.** Der Motorventilator zieht Staub in das Gehäuse hinein, wobei eine übermäßige Ansammlung von Metallspänen Gefahren durch elektrischen Strom verursachen kann.
  14. **Betreiben Sie das Elektrowerkzeug nicht in der Nähe brennbarer Materialien.** Diese Materialien könnten durch Funken entflammt werden.
  15. **Verwenden Sie keine Zubehörteile, die flüssige Kühlmittel benötigen.** Bei Verwendung von Wasser oder anderen flüssigen Kühlmitteln könnten Sie einen Stromschlag erleiden.
- Rückschläge und entsprechende Warnhinweise**  
 Ein Rückschlag ist eine plötzliche Reaktion einer verklemmten oder verfangenen rotierenden Schleifscheibe, Stützscheibe, der Bürste oder anderen Zubehörs. Durch Verklemmen oder Verfangen kommt es zu einem plötzlichen Stillstand des rotierenden Zubehörs, sodass das Elektrowerkzeug am Punkt des Festfahrens in die der Rotationsrichtung des Zubehörs entgegengesetzte Richtung gezwungen wird. Verklemmt sich beispielsweise eine Schleifscheibe im Werkstück, kann die Kante, die in den Punkt des Verklemmens eindringt, in die Oberfläche des Materials eindringen, sodass die Scheibe ausschlägt. Die Scheibe springt entweder in Richtung des Bedieners oder vom Bediener weg, dies hängt von der Richtung der Scheibenbewegung am Punkt der Blockade ab. Unter diesen Umständen können Schleifscheiben auch zerbersten.  
 Ein Rückschlag ist auf eine Zweckentfremdung bzw. inkorrekte Betriebsweise oder auf einen fehlerhaften Zustand des Elektrowerkzeugs zurückzuführen und kann durch die im Folgenden aufgeführten Vorsichtsmaßnahmen verhindert werden.
- a) **Halten Sie das Elektrowerkzeug stets mit beiden Händen gut fest und halten Sie Ihren Körper und Ihre Arme so, dass Sie Rückschläge abfangen können. Verwenden Sie, sofern vorhanden, immer den Zusatzgriff, um größtmögliche Kontrolle über Rückschlagkräfte oder Reaktionsmomente beim Startvorgang zu haben.** Bei geeigneten Vorsichtsmaßnahmen können Rückschlag- und Reaktionskräfte sicher von der Bedienperson beherrscht werden.

- b) **Bringen Sie Ihre Hand nie in die Nähe von rotierendem Zubehör.** Das Zubehör könnte über Ihre Hand zurückschlagen.
- c) **Meiden Sie mit Ihrem Körper den Bereich, in den sich das Elektrowerkzeug bei einem Rückschlag bewegen würde.** Das Elektrowerkzeug wird am Punkt der Blockade in die der Rotationsrichtung der Scheibe entgegengesetzte Richtung zurückgeschlagen.
- d) **Arbeiten Sie im Bereich von Ecken, scharfen Kanten usw. besonders vorsichtig. Verhindern Sie, dass das Zubehör vom Werkstück zurückprallt und verklemmt.** Das rotierende Zubehör neigt bei Ecken, scharfen Kanten oder beim Abprallen dazu, sich zu verklemmen. Dies verursacht einen Verlust der Kontrolle oder Rückschlag.
- e) **Verwenden Sie kein Ketten- oder gezähntes Sägeblatt.** Derartige Blätter verursachen häufig ein Rückschlagen und führen zum Kontrollverlust.

#### **Besondere Warnhinweise zum Schneiden und Trennschleifen:**

- a) **Verwenden Sie ausschließlich die für dieses Elektrowerkzeug zugelassenen Schleifkörper und die für diese Schleifkörper vorgesehene Schutzhaube.** Schleifkörper, die nicht für das Elektrowerkzeug vorgesehen sind, können nicht ausreichend abgeschirmt werden und stellen Gefahrenquellen dar.
- b) **Die Schleifoberfläche von gekröpften Schleifscheiben muss unterhalb der Ebene der Schutzhaube montiert werden.** Ein unsachgemäß montierter Schleifkörper, der über die Ebene der Schutzhaube hinausragt, kann nicht ausreichend geschützt werden.
- c) **Zur optimalen Sicherheit muss die Schutzhaube sicher am Elektrowerkzeug angebracht und positioniert sein, sodass der kleinstmögliche Teil des Schleifkörpers in Richtung Bedienerperson frei liegt.** Die Schutzabdeckung soll die Bedienerperson vor Bruchstücken und zufälligem Kontakt mit dem Schleifkörper und Funken, die die Kleidung entzünden könnten, schützen.
- d) **Schleifscheiben dürfen ausschließlich für die vorgesehenen Arbeiten verwendet werden. Schleifen Sie beispielsweise nie mit der Seitenfläche einer Trennscheibe.** Trennscheiben sind zum Materialabtrag mit der Kante der Scheibe bestimmt. Bei seitlicher Kräfteinwirkung auf diese Scheiben können sie zerbrechen.
- e) **Verwenden Sie immer unbeschädigte Spannfansche in der richtigen Größe und Form für die von Ihnen gewählte Schleifscheibe.** Die richtigen Scheibenfansche unterstützen die Schleifscheibe, sodass die Gefahr des Scheibenbruchs vermindert wird. Fansche für Trennscheiben unterscheiden sich möglicherweise von Fanschen für Schleifscheiben.
- f) **Verwenden Sie keine abgenutzten Schleifscheiben von größeren Elektrowerkzeugen.** Schleifscheiben für größere Elektrowerkzeuge sind nicht für die höheren Drehzahlen von kleineren Elektrowerkzeugen ausgelegt und könnten bersten.

#### **Weitere Sicherheitshinweise für das Trennschleifen:**

- a) **Klemmen Sie die Trennscheibe nicht fest und üben Sie keinen übermäßigen Druck aus. Führen Sie keine übermäßig tiefen Schnitte aus.** Eine Überlastung der Scheibe erhöht deren Beanspruchung und die Anfälligkeit zum Verkanten oder Blockieren und damit die Möglichkeit eines Rückschlags oder Schleifkörperbruchs.
- b) **Meiden Sie den Bereich vor und hinter der rotierenden Trennscheibe.** Wenn sich die Scheibe während des Betriebs von Ihrem Körper wegbewegt, kann im Falle eines Rückschlags das Elektrowerkzeug mit der sich drehenden Scheibe direkt auf Sie zugeschleudert werden.
- c) **Falls die Trennscheibe verklemmt oder Sie die Arbeit unterbrechen, schalten Sie das Elektrowerkzeug aus und halten Sie es ruhig, bis die Scheibe zum Stillstand gekommen ist. Versuchen Sie nie, die noch laufende Trennscheibe aus dem Schnitt zu ziehen, sonst kann ein Rückschlag erfolgen.** Überprüfen Sie die Ursache für das Verkanten der Scheibe und ergreifen Sie Korrekturmaßnahmen.
- d) **Starten Sie den Schnitvorgang nicht im Werkstück. Lassen Sie die Trennscheibe erst ihre volle Drehzahl erreichen, bevor Sie den Schnitt vorsichtig fortsetzen.** Die Scheibe kann verkanten, hochspringen oder zurückschlagen, wenn das Werkzeug im Werkstück eingeschaltet wird.
- e) **Stützen Sie Platten oder große Werkstücke ab, um das Risiko eines Rückschlags durch eine eingeklemmte Scheibe zu vermindern.** Große Werkstücke können sich unter ihrem eigenen Gewicht durchbiegen. Bringen Sie Stützen nahe der Schnittlinie und der Werkstückkante unter dem Werkstück zu beiden Seiten der Scheibe an.
- f) **Seien Sie besonders vorsichtig, wenn Sie einen „Tauschnitt“ in Wände oder andere nicht einsehbare Bereiche ausführen.** Die eintauchende Trennscheibe kann in Gas- oder Wasserleitungen, elektrische Leitungen oder andere Objekte schneiden, wodurch es zu einem Rückschlag kommt.

#### **Spezifische Sicherheitshinweise für das Schleifen:**

- a) **Verwenden Sie kein zu großes Schleifscheibepapier. Befolgen Sie bei der Auswahl des Schleifpapiers die Empfehlungen der Hersteller.** Schleifblätter, die über den Schleifeller hinausragen, können Verletzungen verursachen sowie zum Blockieren, Zerreißen der Schleifblätter oder zum Rückschlag führen.

#### **Spezifische Sicherheitshinweise für das Drahtbürsten:**

- a) **Beachten Sie, dass Drahtborsten auch während des normalen Betriebs aus der Bürste fallen. Überlasten Sie die Drähte nicht durch zu hohen Anpressdruck.** Die Drahtborsten können leicht in lockere Kleidung und/oder die Haut eindringen.
- b) **Wird eine Schutzhaube empfohlen, so achten Sie darauf, dass sich Schutzhaube und Drahtbürste nicht berühren können.** Auf Grund der Last und der Zentrifugalkräfte kann sich der Durchmesser der Drahtbürste vergrößern.

#### Zusätzliche Sicherheitshinweise:

16. Verwenden Sie nur glasfaserverstärkte Scheiben als gekröpfte Trennschleifscheiben.
17. Verwenden Sie mit diesem Schleifer NIEMALS Steinschleiftöpfe. Dieser Schleifer ist nicht für diese Scheibentypen ausgelegt und die Verwendung dieser Scheiben kann zu schweren Verletzungen führen.
18. Achten Sie sorgfältig darauf, dass Spindel, Flansch (insbesondere die Ansatzfläche) und Sicherungsmutter nicht beschädigt werden. Eine Beschädigung dieser Teile kann zu einem Scheibenbruch führen.
19. Stellen Sie vor dem Einschalten des Werkzeugs sicher, dass die Scheibe das Werkstück nicht berührt.
20. Bevor Sie das Werkzeug auf das zu bearbeitende Werkstück ansetzen, lassen Sie es einige Zeit ohne Last laufen. Achten Sie auf Vibrationen und Schlägen; beide Anzeichen können auf eine schlecht ausgewuchtete oder nicht fachgerecht eingebaute Schleifscheibe hindeuten.
21. Verwenden Sie für Schleifarbeiten ausschließlich die dafür vorgesehene Fläche der Schleifscheibe.
22. Lassen Sie das Werkzeug nicht unbeaufsichtigt eingeschaltet. Das Werkzeug darf nur dann in Betrieb sein, wenn es von Hand festgehalten wird.
23. Vermeiden Sie eine Berührung des Werkstücks unmittelbar nach der Bearbeitung, da es dann noch sehr heiß sein und somit Hautverbrennungen verursachen kann.
24. Befolgen Sie die Anweisungen des Herstellers zur korrekten Montage und Verwendung von Schleifscheiben. Behandeln und lagern Sie Schleifscheiben mit Sorgfalt.
25. Verwenden Sie keine separaten Reduzierbuchsen oder Adapter zur Anpassung von Schleifscheiben mit großem Durchmesser.
26. Verwenden Sie ausschließlich die für dieses Werkzeug vorgeschriebenen Flansche.
27. Wenn eine Trennscheibe mit Gewindebohrung am Werkzeug montiert werden soll, achten Sie darauf, dass ihr Gewinde tief genug für die Spindellänge ist.
28. Vergewissern Sie sich, dass das Werkstück sicher eingespannt ist.
29. Beachten Sie, dass sich die Schleifscheibe nach dem Ausschalten des Werkzeugs noch weiterdreht.
30. Falls der Arbeitsplatz sehr heiß, feucht oder durch leifähigen Staub stark verschmutzt ist, verwenden Sie zum Schutz des Bedieners einen Kurzschlusschalter (30 mA).
31. Verwenden Sie dieses Werkzeug nicht zum Bearbeiten von asbesthaltigen Materialien.
32. Verwenden Sie bei Arbeiten mit der Trennscheibe immer eine gesetzlich vorgeschriebene Staubsammelhaube.
33. Die Trennscheiben dürfen keinem seitlichen Druck ausgesetzt werden.
34. Benutzen Sie zum Arbeiten keine Stoffhandschuhe. Fasern könnten von den Stoffhandschuhen ins Werkzeug gelangen und zu Schäden am Werkzeug führen.

## BEWAHREN SIE DIESE ANLEITUNG SORGFÄLTIG AUF.

### WARNUNG:

Lassen Sie sich NIE durch Bequemlichkeit oder (aus fortwährendem Gebrauch gewonnener) Vertrautheit mit dem Werkzeug dazu verleiten, die Sicherheitsregeln für das Werkzeug zu missachten. Bei MISSBRÄUCLICHER Verwendung des Werkzeugs oder bei Missachtung der in diesem Handbuch enthaltenen Sicherheitshinweise kann es zu schweren Verletzungen kommen.

## WICHTIGE SICHERHEITSANWEISUNGEN FÜR AKKU

ENC007-12

1. Lesen Sie vor der Verwendung des Akkublocks alle Anweisungen und Sicherheitshinweise für das Akkuladegerät (1), den Akku (2) und das Produkt (3), für das der Akku verwendet wird, sorgfältig durch.
2. Der Akkublock darf nicht zerlegt werden.
3. Falls die Betriebsdauer erheblich kürzer wird, beenden Sie den Betrieb umgehend. Andernfalls besteht die Gefahr einer Überhitzung sowie das Risiko möglicher Verbrennungen und sogar einer Explosion.
4. Wenn Elektrolyt in Ihre Augen gerät, waschen Sie diese mit klarem Wasser aus und suchen Sie sofort einen Arzt auf. Andernfalls können Sie Ihre Sehfähigkeit verlieren.
5. Vermeiden Sie einen Kurzschluss des Akkublocks:
  - (1) Die Kontakte dürfen nicht mit leitendem Material in Berührung kommen.
  - (2) Der Akkublock darf nicht in einem Behälter aufbewahrt werden, in dem sich andere metallische Gegenstände wie beispielsweise Nägel, Münzen usw. befinden.
  - (3) Der Akkublock darf weder Feuchtigkeit noch Regen ausgesetzt werden.Ein Kurzschluss des Akkus kann zu hohem Kriechstrom, Überhitzung, möglichen Verbrennungen und sogar zu einer Zerstörung des Werkzeugs führen.
6. Werkzeug und Akkublock dürfen nicht an Orten aufbewahrt werden, an denen Temperaturen von 50°C oder darüber erreicht werden können.
7. Beschädigte oder verbrauchte Akkus dürfen nicht verbrannt werden. Der Akkublock kann in den Flammen explodieren.
8. Lassen Sie den Akku nicht fallen und vermeiden Sie Schläge gegen den Akku.
9. Verwenden Sie niemals einen beschädigten Akku.
10. Die enthaltenen Lithium-Ionen-Akkus unterliegen den Anforderungen der Gefahrengut-Gesetzgebung.

Für kommerzielle Transporte, z. B. durch Dritte oder Spediteure, müssen besondere Anforderungen zu Verpackung und Etikettierung beachtet werden. Zur Vorbereitung des zu transportierenden Artikels ist eine Beratung durch einen Experten für Gefahrengut

erforderlich. Bitte beachten Sie möglicherweise ausführlichere nationale Vorschriften.

Überkleben oder verdecken Sie offene Kontakte, und verpacken Sie den Akku so, dass er sich in der Verpackung nicht umher bewegen kann.

- Befolgen Sie die in Ihrem Land geltenden Bestimmungen bzgl. der Entsorgung von Akkus.**
- Verwenden Sie die Akkus nur mit den von Makita genannten Produkten.** Der Einsatz der Akkus in nicht kompatiblen Produkten kann Brände, extreme Wärmeentwicklung, Explosionen oder einen Austritt von Elektrolyt verursachen.

## BEWAHREN SIE DIESE ANLEITUNG SORGFÄLTIG AUF.

**⚠ VORSICHT: Verwenden Sie nur Original-Makita-Akkus.**

Die Verwendung von Nicht-Original-Makita-Akkus oder von Akkus, die abgeändert worden sind, kann zum Bersten des Akkus und daraus resultierenden Bränden, Personenschäden und Beschädigung führen. Außerdem wird dadurch die Makita-Garantie für das Makita-Werkzeug und -Ladegerät ungültig.

## Tipps für eine maximale Nutzungsdauer von Akkus

- Laden Sie den Akkublock auf, bevor der Akku vollständig entladen ist.**  
**Sobald Sie eine verringerte Leistung des Werkzeugs bemerken, beenden Sie stets den Betrieb des Werkzeugs und laden Sie den Akkublock auf.**
- Ein voll aufgeladener Akkublock darf niemals erneut geladen werden.**  
**Durch Überladungen wird die Lebensdauer des Akkus verkürzt.**
- Laden Sie den Akkublock bei einer Zimmertemperatur von 10°C bis 40°C auf. Lassen Sie einen heißen Akkublock vor dem Aufladen abkühlen.**
- Laden Sie den Akkublock auf, wenn Sie diesen für längere Zeit nicht verwenden (mehr als sechs Monate).**

## FUNKTIONSBESCHREIBUNG

**⚠ ACHTUNG:**

- Schalten Sie das Werkzeug stets aus und nehmen Sie den Akkublock vom Werkzeug ab, bevor Sie Einstellungen oder Funktionsprüfungen am Werkzeug vornehmen.

## Einsetzen und Entfernen des Akkublocks (Abb. 1)

**⚠ ACHTUNG:**

- Schalten Sie das Werkzeug stets aus, bevor Sie den Akkublock einsetzen oder abnehmen.
- Halten Sie das Werkzeug und den Akkublock gut fest, wenn Sie den Akkublock einsetzen oder herausnehmen.** Andernfalls könnte Ihnen das Werkzeug oder der Akkublock aus den Händen fallen,

so dass das Werkzeug oder der Akkublock beschädigt werden oder diese Verletzungen verursachen.

Zum Abnehmen des Akkublocks müssen Sie die Taste auf der Vorderseite des Akkublocks schieben und gleichzeitig den Akkublock aus dem Gerät herausziehen. Zum Einsetzen des Akkublocks müssen Sie die Zunge des Akkublocks an der Rille im Gehäuse ausrichten und in die gewünschte Position schieben. Setzen Sie den Akkublock ganz ein, bis er mit einem leisen Klick einrastet. Wenn Sie den roten Bereich oben auf der Taste sehen können, ist der Akkublock nicht ganz eingerastet.

**⚠ ACHTUNG:**

- Setzen Sie den Akkublock unbedingt ganz ein, bis der rote Bereich nicht mehr zu sehen ist. Andernfalls kann der Akkublock versehentlich aus dem Werkzeug fallen und Sie oder umstehende Personen verletzen.
- Wenden Sie beim Einsetzen des Akkublocks keine Gewalt an. Wenn der Akkublock nicht leicht hineingleitet, ist er nicht richtig angesetzt.

## Einschalten

**⚠ ACHTUNG:**

- Stellen Sie vor dem Einsetzen des Akkublocks in das Werkzeug sicher, dass sich der Schiebeschalter korrekt bedienen lässt und in die Stellung „OFF“ (AUS) zurückkehrt, sobald das hintere Ende des Schiebeschalters nach unten gedrückt wird.
- Um die Bedienung bei längerem Gebrauch zu vereinfachen, kann der Schalter in der Stellung „ON“ (EIN) arretiert werden. Seien Sie vorsichtig, wenn der Schalter des Werkzeugs in der Stellung „ON“ (EIN) arretiert ist, und halten Sie das Werkzeug gut fest.

Um das Werkzeug einzuschalten, schieben Sie den Schiebeschalter in die Stellung „I (ON)“. Drücken Sie dazu auf die Rückseite des Schalters. Zum Dauerbetrieb muss das vordere Ende des Schiebeschalters gedrückt werden, um den Schalter zu arretieren.

Wenn Sie das Werkzeug anhalten möchten, drücken Sie das hintere Ende des Schiebeschalters und schieben Sie diesen dann in die Stellung „O (OFF)“. (**Abb. 2**)

## Funktion zur Vermeidung eines versehentlichen Neustarts

Selbst wenn sich der Schiebeschalter in der Stellung „I (ON)“ befindet und der Akkublock eingesetzt wurde, wird das Werkzeug nicht gestartet.

Um das Werkzeug einzuschalten, schieben Sie den Schiebeschalter in die Stellung „O (OFF)“ und anschließend in die Stellung „I (ON)“.

## Elektronische Drehmomentsteuerung

Das Werkzeug erkennt elektronisch Situationen, in denen die Schleifscheibe oder Zubehörteile behindert werden könnten. Das Werkzeug wird dann automatisch abgeschaltet, um ein Weiterdrehen der Spindel zu verhindern (Rückschläge werden dadurch nicht verhindert).

Um das Werkzeug wieder zu starten, schalten Sie das Werkzeug zuerst aus, beseitigen Sie die Ursache des plötzlichen Drehzahlabfalls und schalten Sie dann das Werkzeug wieder ein.

## Anzeige der verbleibenden Akkuladung

### Nur für Akkublöcke mit der Anzeige (Abb. 3)

Drücken Sie zum Anzeigen der Restladung des Akkus die Akkuprüftaste. Die Anzeigelampen leuchten dann wenige Sekunden lang auf.

Anzeigelampen			Verbleibende Akkuladung
Leuchtet	Aus	Blinkt	
■	□	◐	75% bis 100%
■	■	□	50% bis 75%
■	□	□	25% bis 50%
■	□	□	0% bis 25%
◐	□	□	Laden Sie den Akku auf.
■	■	□	Möglicherweise liegt ein Defekt des Akkus vor.
□	□	■	

015658

### HINWEIS:

- In Abhängigkeit von den Bedingungen bei Gebrauch und von der Umgebungstemperatur kann der angezeigte Ladezustand geringfügig vom tatsächlichen Ladezustand abweichen.

## Anzeige der verbleibenden Akkuladung

### (länderspezifisch) (Abb. 4)

Wenn Sie das Werkzeug einschalten, erscheint eine Anzeige der verbleibenden Akkuladung.

Die verbleibende Akkuladung wird gemäß der folgenden Tabelle angezeigt.

Status Anzeige Akkuladungszustand	Verbleibende Akkuladung
■ : Ein □ : Aus ◐ : Blinkt	
	50% - 100%
	20% - 50%
	0% - 20%
	Akkublock aufladen

015096

## Automatische Drehzahlumschaltung

### (Abb. 5)

Status Anzeige Betriebsart	Betriebsart
	Betriebsart für hohe Drehzahlen
	Betriebsart für hohe Drehmomente

015098

Dieses Werkzeug verfügt über eine „Betriebsart für hohe Drehzahlen“ und eine „Betriebsart für hohe Drehmomente“. Die Betriebsart wechselt automatisch je nach Arbeitsbelastung. Wenn die Betriebsart-Anzeige während des Betriebs aufleuchtet, befindet sich das Werkzeug in der Betriebsart für hohe Drehmomente.

## Werkzeug-/Akku-Schutzsystem

Das Werkzeug ist mit einem Werkzeug-/Akku-Schutzsystem ausgestattet. Dieses System schaltet die Stromversorgung des Motors automatisch aus, um die Lebensdauer des Werkzeugs und des Akkus zu verlängern.

Unter folgenden Bedingungen des Werkzeugs und/oder des Akkus kann das Werkzeug während des Betriebs automatisch stoppen. Unter einigen dieser Bedingungen leuchtet die Anzeige auf.

### Überlastungsschutz

Wird das Werkzeug auf eine Weise betrieben, die zu einer abnormal hohen Stromaufnahme führt, stoppt das Werkzeug automatisch ohne jede Anzeige. Schalten Sie in dieser Situation das Werkzeug aus und beenden Sie die Arbeiten, die zu der Überlastung des Werkzeugs geführt haben. Schalten Sie dann das Werkzeug zum erneuten Starten wieder ein.

### Überhitzungsschutz für das Werkzeug

Ist das Werkzeug überhitzt, stoppt das Werkzeug automatisch und die Akkuanzeige zeigt den in der folgenden Abbildung dargestellten Zustand. Lassen Sie in dieser Situation das Werkzeug erst abkühlen, bevor Sie es wieder einschalten.

Anzeige Akkuladungszustand	■ : Ein □ : Aus ◐ : Blinkt
	Werkzeug ist überhitzt

015140

### Freigabe der Schutzsperre

Wenn das Schutzsystem wiederholt anspricht, wird das Werkzeug gesperrt und die Akkuanzeige zeigt folgenden Zustand an.

Anzeige Akkuladungszustand	■ : Ein □ : Aus ◐ : Blinkt
	Schutzsperre aktiviert

015200



In diesem Zustand lässt sich das Werkzeug nicht in Betrieb nehmen, selbst wenn es aus- und wieder eingeschaltet wird. Um die Schutzsperre freizugeben, entfernen Sie den Akku, setzen Sie ihn in das Akku-Ladegerät ein und warten Sie, bis der Ladevorgang beendet ist.

## Spindelarretierung

### **ACHTUNG:**

- Betätigen Sie die Spindelarretierung niemals bei rotierender Spindel. Andernfalls kann das Werkzeug beschädigt werden.

Drücken Sie die Spindelarretierung, um die Spindel beim Montage und Demontage von Zubehör zu blockieren.

(Abb. 6)

## MONTAGE

### **ACHTUNG:**

- Schalten Sie das Werkzeug stets aus und entfernen Sie den Akkublock, bevor Sie Arbeiten am Werkzeug ausführen.

## Einsetzen des Seitengriffs (Handgriff)

### **ACHTUNG:**

- Vergewissern Sie sich vor dem Betrieb stets, dass der Seitengriff einwandfrei montiert ist.

Schrauben Sie den Seitengriff an der in der Abbildung gezeigten Position am Werkzeug fest. (Abb. 7)

## Montage und Demontage der Schutzhaube (für gekröpfte Trennschleifscheiben, Multi-Scheiben/ Trennschleifscheiben, Diamantscheiben)

### **WARNUNG:**

- Bei Verwendung einer gekröpfen Trennschleifscheibe/ Multi-Scheibe, Flexscheibe, Drahrundbürste, Trennscheibe oder Diamantscheibe muss die Schutzhaube so am Werkzeug angebracht werden, dass die geschlossene Seite stets in Richtung Bediener zeigt.
- Vergewissern Sie sich bei Verwendung einer Trennschleifscheibe/Diamantscheibe, dass Sie die spezielle Schutzhaube für diese Trennscheiben verwenden. (In einigen europäischen Ländern: Bei Verwendung einer Diamantscheibe kann der gewöhnliche Schutz verwendet werden. Halten Sie die örtlich geltenden Bestimmungen ein.)

### **Für Werkzeug mit Klemmhebel-Schutzhaube**

Lösen Sie nach dem Lösen der Schraube den Hebel an der Schutzhaube. Montieren Sie die Schutzhaube so, dass der Vorsprung am Schutzhaubenring an der Einkerbung im Lagergehäuse ausgerichtet ist. Drehen Sie anschließend die Schutzhaube in einen solchen Winkel, in dem der Bediener bei seiner Arbeit entsprechend geschützt wird. (Abb. 8)

Ziehen Sie den Hebel fest, um die Schutzhaube zu befestigen. Falls der Hebel zu fest oder zu lose ist, um die Schutzhaube zu sichern, lösen oder ziehen Sie die Schraube fest an, um die Spannung des Schutzhaubenrings einzustellen. (Abb. 9)

Zum Demontieren der Schutzhaube befolgen Sie die Vorgehensweise zum Einbauen in umgekehrter Reihenfolge.

### **Für Werkzeug mit Schutzhaube, gesichert mit Sicherungsschraube (Abb. 10)**

Montieren Sie die Schutzhaube so, dass die Vorsprünge am Schutzhaubenring zu den Nuten im Lagergehäuse ausgerichtet sind. Drehen Sie anschließend die Schutzhaube um 180° gegen den Uhrzeigersinn. Achten Sie darauf, die Schraube fest anzuziehen. Zum Demontieren der Schutzhaube befolgen Sie die Vorgehensweise zum Einbauen in umgekehrter Reihenfolge.

## Montage und Demontage der gekröpfen Trennschleifscheibe oder der Fächerschleifscheibe (Sonderzubehör)

### **WARNUNG:**

- Bei Verwendung einer gekröpfen Trennschleifscheibe oder einer Fächerschleifscheibe muss die Schutzhaube so am Werkzeug angebracht werden, dass die geschlossene Seite stets in Richtung Bediener zeigt.
- Betätigen Sie die Spindelarretierung niemals bei rotierender Spindel.

Setzen Sie den Innenflansch auf die Spindel. Setzen Sie die Trenn-/Schleifscheibe auf den Innenflansch und schrauben Sie die Sicherungsmutter auf die Spindel.

(Abb. 11)

Drücken Sie zum Anziehen der Sicherungsmutter die Spindelarretierung fest, um die Spindel zu blockieren; ziehen Sie dann die Mutter mit dem Sicherungsmutterschlüssel im Uhrzeigersinn fest an.

(Abb. 12)

Zum Entnehmen der Scheibe befolgen Sie die Vorgehensweise zum Einbauen in umgekehrter Reihenfolge.

## Montage und Demontage der Ezy-Mutter (Sonderzubehör)

### **ACHTUNG:**

- Verwenden Sie die Ezy-Mutter nicht mit dem Superflansch oder mit Winkelschleifern, die ein „F“ am Ende der Modellnummer haben. Diese Flansche sind so dick, dass der gesamte Draht von der Spindel nicht gehalten werden kann.

Montieren Sie Innenflansch, Schleifscheibe und Ezy-Mutter so auf die Spindel, dass das Makita-Logo auf der Ezy-Mutter nach außen zeigt. (Abb. 13)

Drücken Sie die Spindelarretierung fest und ziehen Sie die Ezy-Mutter fest, indem Sie die Schleifscheibe so weit wie möglich im Uhrzeigersinn drehen.

Drehen Sie den Außenring der Ezy-Mutter zum Lösen entgegen dem Uhrzeigersinn. (Abb. 14)

### **HINWEIS:**

- Die Ezy-Mutter kann gelöst werden, wenn der Pfeil auf die Einkerbung zeigt. Andernfalls benötigen Sie zum Lösen einen Sicherungsmutterschlüssel für die Sicherungsmutter. Setzen Sie einen Bolzen des Mutternschlüssels in ein Loch ein und drehen Sie die

Ezy-Mutter entgegen dem Uhrzeigersinn. (Abb. 15 und 16)

## Anbringen oder Abnehmen einer Flexscheibe

### Sonderzubehör

#### **WARNUNG:**

- **Benutzen Sie immer die mitgelieferte Schutzhaube, wenn eine Flexscheibe am Werkzeug montiert ist.** Die Schutzhaube reduziert die Gefahr von Personenschäden, falls die Scheibe während des Betriebs zerbricht. (Abb. 17)

Folgen Sie den Anweisungen für eine gekröpfte Trennschleifscheibe, aber benutzen Sie auch eine Stützteller auf der Schleifscheibe. Die Montagerihenfolge ist auf der Zubehörseite in dieser Anleitung ersichtlich.

## Montage und Demontage der Schleifscheibe (Sonderzubehör) (Abb. 18)

Setzen Sie den Gummiteller auf die Spindel. Setzen Sie die Scheibe auf den Gummiteller und schrauben Sie die Sicherungsmutter auf die Spindel. Drücken Sie zum Anziehen der Sicherungsmutter die Spindelarretierung fest, um die Spindel zu blockieren; ziehen Sie dann die Mutter mit dem Sicherungsmutterschlüssel im Uhrzeigersinn fest an.

Zum Entnehmen der Scheibe befolgen Sie die Vorgehensweise zum Einbauen in umgekehrter Reihenfolge.

### HINWEIS:

- Verwenden Sie nur das in diesem Handbuch angegebene Schleifzubehör. Es muss separat erworben werden.

## BETRIEB

#### **WARNUNG:**

- Das Werkzeug darf auf keinen Fall gewaltsam angedrückt werden. Das Eigengewicht des Werkzeugs übt ausreichenden Druck aus. Gewaltanwendung und übermäßiger Druck können zu einem gefährlichen Schleifscheibenbruch führen.
- Wechseln Sie die Schleifscheibe IMMER aus, falls das Werkzeug während der Arbeit fallen gelassen wurde.
- Eine Schleif- oder Trennscheibe darf NIEMALS gegen das Werkstück geschlagen oder gestoßen werden.
- Achten Sie besonders beim Bearbeiten von Ecken, scharfen Kanten usw. darauf, dass die Schleifscheibe nicht springt oder hängen bleibt. Dies könnte den Verlust der Kontrolle und Rückschläge verursachen.
- Verwenden Sie das Werkzeug NIEMALS mit Holzschneide- oder anderen Sägeblättern. Solche Sägeblätter verursachen bei Verwendung an einem Schleifer häufiges Rückschlagen und Verlust der Kontrolle, was zu Verletzungen führen kann.

#### **ACHTUNG:**

- Schalten Sie das Werkzeug niemals ein, wenn es in Kontakt mit dem Werkstück steht, da dies eine Verletzungsgefahr für den Bediener darstellt.

- Tragen Sie bei der Arbeit stets eine Schutzbrille oder einen Gesichtsschutz.
- Schalten Sie das Werkzeug nach der Arbeit stets aus und warten Sie, bis die Scheibe zum völligen Stillstand gekommen ist, bevor Sie das Werkzeug ablegen.

## Schleifen und Schmirgeln (Abb. 19)

Halten Sie das Werkzeug IMMER mit einer Hand am Gehäuse und mit der anderen am Seitengriff gut fest. Schalten Sie das Werkzeug ein und bringen Sie die Trenn- oder Schleifscheibe an das Werkstück. Halten Sie die Trenn- oder Schleifscheibe im Allgemeinen in einem Winkel von etwa 15 Grad zur Werkstoffoberfläche. Bewegen Sie die Schleifer beim Einschleifen einer neuen Schleifscheibe nicht in Richtung B, weil die Schleifscheibe sonst in das Werkstück einschneidet. Sobald die Schleifscheibenkante durch Gebrauch abgerundet ist, kann die Schleifscheibe sowohl in Richtung A als auch in Richtung B bewegt werden.

## Betrieb mit Trennschleifscheibe/ Diamantscheibe

### Sonderzubehör

#### **WARNUNG:**

- **Benutzen Sie beim Arbeiten mit einer Trennschleifscheibe/Diamantscheibe nur die spezielle Schutzhaube, die für den Einsatz mit Trennscheiben ausgelegt ist.** (In manchen europäischen Ländern kann bei Verwendung einer Diamantscheibe die gewöhnliche Schutzhaube benutzt werden. Befolgen Sie die Vorschriften in Ihrem Land.)
- **Benutzen Sie Trennscheiben NIEMALS für Seitenschleifen.**
- **Vermeiden Sie „Verkanten“ der Trennscheibe oder die Ausübung übermäßigen Drucks. Versuchen Sie nicht, übermäßig tiefe Schnitte zu machen.** Überbeanspruchung der Trennscheibe erhöht die Belastung und die Empfänglichkeit für Verdrehen oder Klemmen der Trennscheibe im Schnitt sowie die Möglichkeit von Rückschlag, Scheibenbruch und Überhitzung des Motors.
- **Starten Sie den Schnittbetrieb nicht mit im Werkstück sitzender Trennscheibe. Warten Sie, bis die Trennscheibe ihre volle Drehzahl erreicht hat, bevor Sie sie vorsichtig in den Schnitt senken und das Werkzeug über die Werkstückoberfläche vorschieben.** Wird das Elektrowerkzeug mit im Werkstück sitzender Trennscheibe eingeschaltet, kann die Trennscheibe klemmen, hochsteigen oder zurückschlagen.
- **Ändern Sie während der Schneidarbeiten niemals den Winkel der Trennscheibe.** Die Ausübung von Seitendruck auf die Trennscheibe (wie beim Schleifen) verursacht Reißen und Brechen der Trennscheibe, was schwere Personenschäden zur Folge haben kann.
- **Eine Diamantscheibe muss senkrecht zum Werkstückmaterial angesetzt werden. (Abb. 20)** Befolgen Sie zur Montage die Anweisungen für gekröpfte Trennschleifscheibe.

## Die Montagerichtung der Sicherungsmutter und des Innenflansches hängt vom Scheibentyp und der Scheibendicke ab.

Siehe die nachstehenden Abbildungen.

### Für 100-mm-Modell

Bei Montage einer Trennschleifscheibe: (Abb. 21)

Bei Montage einer Diamantscheibe: (Abb. 22)

### Für 115-mm-/125-mm-Modell

Bei Montage einer Trennschleifscheibe: (Abb. 23)

Bei Montage einer Diamantscheibe: (Abb. 24)

## Betrieb mit einer Topfdrahtbürste (Sonderzubehör)

### ⚠ ACHTUNG:

- Überprüfen Sie die Funktionstüchtigkeit der Bürste, indem Sie das Werkzeug ohne Last laufen lassen. Stellen Sie sicher, dass sich niemand vor oder in einer Linie mit der Bürste befindet.
- Verwenden Sie niemals eine Bürste, die beschädigt oder aus dem Gleichgewicht ist. Die Verwendung einer beschädigten Bürste erhöht das Verletzungsrisiko durch den Kontakt mit gebrochenen Bürstendrähten.

Entfernen Sie den Akkublock aus dem Werkzeug und drehen Sie es um, um einen einfachen Zugang zur Spindel zu ermöglichen. Bauen Sie alle Zubehörteile von der Spindel ab. Schrauben Sie die Topfdrahtbürste auf die Spindel und ziehen Sie diese mit dem mitgelieferten Schlüssel fest. Achten Sie bei der Verwendung der Bürste darauf, nicht zu viel Druck auszuüben, da sich die Drähte sonst zu stark verbiegen, was zu einem vorzeitigen Zerbrechen führt. (Abb. 25)

## Betrieb mit einer Drahrundbürste (Sonderzubehör)

### ⚠ ACHTUNG:

- Überprüfen Sie die Funktionstüchtigkeit der Drahrundbürste, indem Sie das Werkzeug ohne Last laufen lassen. Stellen Sie sicher, dass sich niemand vor oder in einer Linie mit der Drahrundbürste befindet.
- Verwenden Sie niemals eine Drahrundbürste, die beschädigt oder schlecht ausgewuchtet ist. Die Verwendung einer beschädigten Drahrundbürste erhöht das Verletzungsrisiko durch den Kontakt mit gebrochenen Bürstendrähten.
- Verwenden Sie mit Drahrundbürsten STETS einen Schutz, wobei der Scheibendurchmesser in den Schutz hineinpassen muss. Die Scheibe kann während des Gebrauchs zerbersten. Durch die Schutzhaube wird die Verletzungsgefahr deutlich verringert.

Entfernen Sie den Akkublock aus dem Werkzeug und drehen Sie es um, um einen einfachen Zugang zur Spindel zu ermöglichen. Bauen Sie alle Zubehörteile von der Spindel ab. Drehen Sie die Drahrundbürste auf die Spindel und ziehen Sie diese mit den Schlüsseln fest. (Abb. 26)

Vermeiden Sie bei Verwendung der Drahrundbürste übermäßigen Druck, denn dadurch werden die Drähte verbogen und können vorzeitig brechen.

## WARTUNG

### ⚠ ACHTUNG:

- Schalten Sie das Gerät stets aus und ziehen Sie den Akkublock ab, bevor Sie Inspektionen oder Wartungsarbeiten am Gerät vornehmen.
- Verwenden Sie zum Reinigen niemals Kraftstoffe, Benzin, Verdünner, Alkohol oder ähnliches. Dies kann zu Verfärbungen, Verformungen oder Rissen führen.

Halten Sie das Werkzeug und die Lüftungsschlitze des Werkzeugs stets sauber. Reinigen Sie die Lüftungsschlitze des Werkzeugs regelmäßig oder bei Beginn einer Verstopfung. (Abb. 27)

Entfernen Sie den Staubfänger vom Schlitz für den Lufttritt und reinigen Sie ihn, um eine ungestörte Luftzirkulation zu ermöglichen. (Abb. 28)

### HINWEIS:

- Reinigen Sie den Staubfänger, wenn dieser mit Staub oder anderen Materialien verunreinigt ist. Wenn Sie die Arbeiten mit einem verstopften Staubfänger fortsetzen, kann dies das Werkzeug beschädigen.

Zur Gewährleistung von SICHERHEIT und ZUVERLÄSSIGKEIT des Produkts sollten Reparaturen, Wartungsarbeiten und Einstellungen nur durch von Makita autorisierte Servicecenter durchgeführt und ausschließlich Makita-Ersatzteile verwendet werden.

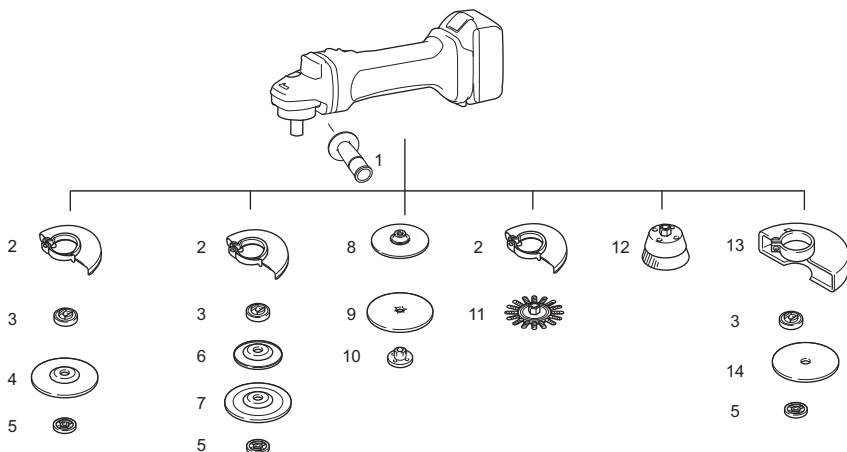
## SONDERZUBEHÖR

### ⚠ ACHTUNG:

- Für das in diesem Handbuch beschriebene Makita-Gerät werden die folgenden Zubehör- und Zusatzteile empfohlen. Bei Verwendung anderer Zubehör- und Zusatzteile kann es zu Verletzungen kommen. Verwenden Sie Zubehör- und Zusatzteile nur für den vorgesehenen Zweck.

Informationen zu diesem Zubehör erhalten Sie von Ihrem Makita-Servicecenter.

- Original-Akku und Original-Ladegerät von Makita



	100-mm-Modell	115-mm-Modell	125-mm-Modell
1	Griff 36		
2	Schutzhaube (für Schleifscheibe)		
3	Innenflansch	Innenflansch/Superflansch *1*2	Innenflansch/Superflansch
4	Gekröpfte Trennschleifscheibe/Fächerscheibe		
5	Sicherungsmutter	Sicherungsmutter/Ezynut *1*2	Sicherungsmutter/Ezynut *2
6	Stützteller		
7	Flexscheibe		
8	Gummiteller 76	Gummiteller 100	Gummiteller 115
9	Schleifblatt		
10	Schleifscheiben-Sicherungsmutter		
11	Rotordrahtbürste		
12	Topfdrabtbürste		
13	Schutzhaube (für Trennscheibe) *3		
14	Trennschleifscheibe/Diamantscheibe		
-	Sicherungsmutterschlüssel		

#### Hinweis:

\*1 Nur für Modelle mit M14-Spindelgewinde.

\*2 Verwenden Sie Superflansch und Ezynut nicht zusammen.

\*3 In manchen europäischen Ländern kann bei Verwendung einer Diamantscheibe die gewöhnliche Schutzhaube anstelle der Spezialschutzhaube verwendet werden, die beide Seiten der Schleifscheibe abdeckt. Befolgen Sie die Vorschriften in Ihrem Land.

015100-2

#### HINWEIS:

- Einige der in der Liste aufgeführten Elemente sind dem Werkzeugpaket als Standardzubehör beigelegt. Diese können in den einzelnen Ländern voneinander abweichen.

#### Modell DGA454, DGA504

Schalldruckpegel ( $L_{pA}$ ): 79 dB (A)

Abweichung (K): 3 dB (A)

Unter Arbeitsbedingungen kann der Schallpegel 80 dB (A) überschreiten.

**Tragen Sie Gehörschutz.**

#### Schallpegel

ENG905-1

Typischer A-bewerteter Schallpegel nach EN60745:

#### Modell DGA404

Schalldruckpegel ( $L_{pA}$ ): 80 dB (A)

Schallleistungspegel ( $L_{WA}$ ): 91 dB (A)

Abweichung (K): 3 dB (A)

## Schwingung

ENG900-1

Schwingungsgesamtwerte (Vektorsumme dreier Achsen)  
nach EN60745:

### Modell DGA404

Betriebsart: Planschleifen mit normalem Seitengriff

Schwingungsbelastung ( $a_{h,AG}$ ): 4,5 m/s<sup>2</sup>

Abweichung (K): 1,5 m/s<sup>2</sup>

Betriebsart: Planschleifen mit Anti-Vibrations-  
Seitengriff

Schwingungsbelastung ( $a_{h,AG}$ ): 4,0 m/s<sup>2</sup>

Abweichung (K): 1,5 m/s<sup>2</sup>

Betriebsart: Blattschleifen

Schwingungsbelastung ( $a_{h,DS}$ ): 2,5 m/s<sup>2</sup> oder weniger

Abweichung (K): 1,5 m/s<sup>2</sup>

### Modell DGA454, DGA504

Betriebsart: Planschleifen mit normalem Seitengriff

Schwingungsbelastung ( $a_{h,AG}$ ): 6,5 m/s<sup>2</sup>

Abweichung (K): 1,5 m/s<sup>2</sup>

Betriebsart: Planschleifen mit Anti-Vibrations-  
Seitengriff

Schwingungsbelastung ( $a_{h,AG}$ ): 6,0 m/s<sup>2</sup>

Abweichung (K): 1,5 m/s<sup>2</sup>

Betriebsart: Blattschleifen

Schwingungsbelastung ( $a_{h,DS}$ ): 2,5 m/s<sup>2</sup> oder weniger

Abweichung (K): 1,5 m/s<sup>2</sup>

ENG902-1

- Der hier angegebene Wert für die erzeugten Schwingungen wurde gemäß dem genormten Testverfahren ermittelt und kann als Vergleich zu anderen Werkzeugen herangezogen werden.
- Der angegebene Wert für die erzeugten Schwingungen ist außerdem für eine vorbeugende Bewertung der Belastung zu verwenden.
- Der angegebene Wert für die erzeugten Schwingungen gilt, wenn das Elektrowerkzeug für den vorgesehenen Zweck verwendet wird. Wenn das Werkzeug für andere Zwecke verwendet wird, kann der Wert für die Schwingungsbelastung jedoch von dem hier aufgeführten Wert abweichen.

### **WARNUNG:**

- Die Schwingungsbelastung kann bei tatsächlichem Gebrauch des Elektrowerkzeugs in Abhängigkeit von der Handhabung des Elektrowerkzeugs von dem hier aufgeführten Wert abweichen.
- Stellen Sie sicher, dass Schutzmaßnahmen für den Bediener getroffen werden, die auf den unter den tatsächlichen Arbeitsbedingungen zu erwartenden Belastungen beruhen (beziehen Sie alle Bestandteile des Arbeitsablaufs ein, also zusätzlich zu den Arbeitszeiten auch Zeiten, in denen das Werkzeug ausgeschaltet ist oder ohne Last läuft).

### **EG-Konformitätserklärung**

#### **Nur für europäische Länder**

Die EG-Konformitätserklärung liegt dieser Betriebsanleitung als Anhang A bei.

## ITALIANO (Istruzioni originali)

### Spiegazione della vista generale

- |                                  |   |   |
|----------------------------------|---|---|
| 1. Pulsante                      | 16. Flangia interna                           | 29. Protezione per disco di taglio abrasivo/disco diamantato        |
| 2. Indicatore rosso              | 17. Chiave per controdadi                     | 30. Mola troncatrice abrasiva (più sottile di 4 mm)                 |
| 3. Batteria                      | 18. Ezynut                                    | 31. Mola troncatrice abrasiva (di spessore pari o superiore a 4 mm) |
| 4. Interruttore scorrevole       | 19. Disco abrasivo                            | 32. Disco diamantato (più sottile di 4 mm)                          |
| 5. Spie luminose                 | 20. Mandrino                                  | 33. Disco diamantato (di spessore pari o superiore a 4 mm)          |
| 6. Pulsante di controllo         | 21. Freccia                                   | 34. Spazzola metallica a coppa                                      |
| 7. Indicatore della batteria     | 22. Tacca                                     | 35. Spazzola metallica a disco                                      |
| 8. Indicatore della modalità     | 23. Disco flessibile                          | 36. Apertura di scarico   |
| 9. Blocco dell'albero            | 24. Platorello di sostegno                    | 37. Apertura di aspirazione   |
| 10. Protezione del disco         | 25. Controdado di carteggiatura               | 38. Coperchio antipolvere   |
| 11. Alloggiamento del cuscinetto | 26. Dischetto abrasivo                        |   |
| 12. Vite                         | 27. Cuscinetto in gomma                       |   |
| 13. Leva                         | 28. Disco di taglio abrasivo/disco diamantato |   |
| 14. Controdado                   |   |   |
| 15. Disco con centro depresso    |   |   |

## SPECIFICHE

Modello		DGA404	DGA454	DGA504
Diametro del disco		100 mm (4")	115 mm (4-1/2")	125 mm (5")
Spessore massimo del disco		6,4 mm (1/4")	6,4 mm (1/4")	6,4 mm (1/4")
Filettatura del mandrino		M10	M14 o 5/8" (specifico per il paese)	
Velocità nominale (n)/Velocità a vuoto (n <sub>0</sub> )		8.500 min <sup>-1</sup>		
Lunghezza complessiva	Con batteria BL1815N, BL1820, BL1820B	348 mm		
	Con batteria BL1830, BL1830B, BL1840, BL1840B, BL1850, BL1850B, BL1860B	362 mm		
Peso netto	Con batteria BL1815N, BL1820, BL1820B	2,2 kg	2,3 kg	2,3 kg
	Con batteria BL1830, BL1830B, BL1840, BL1840B, BL1850, BL1850B, BL1860B	2,4 kg	2,5 kg	2,5 kg
Tensione nominale		18 V CC		

- Le caratteristiche tecniche riportate di seguito sono soggette a modifiche senza preavviso in virtù del nostro programma continuo di ricerca e sviluppo.
- Le caratteristiche tecniche e le batterie possono differire da paese a paese.
- Peso, comprensivo di batterie, calcolato in base alla Procedura EPTA 01/2003

### Uso previsto

ENE048-1

L'utensile va utilizzato per la smerigliatura, la carteggiatura e il taglio di metalli e pietre senza l'uso di acqua.

## Avvertenze generali di sicurezza per l'uso dell'utensile

GEA010-1

**⚠ AVVERTENZA Leggere attentamente tutte le avvertenze di sicurezza e le istruzioni.** La mancata osservanza delle istruzioni e delle avvertenze riportate di seguito potrebbe provocare scosse elettriche, incendi e/o lesioni gravi.

## Conservare le avvertenze e le istruzioni per riferimenti futuri.

## AVVERTENZE DI SICUREZZA PER LA SMERIGLIATRICE A BATTERIA

GEB059-4

**Avvertenze di sicurezza comuni per la smerigliatura, la carteggiatura, la spazzolatura metallica o le operazioni di taglio abrasivo:**

- Questo utensile va utilizzato come smerigliatrice, levigatrice, spazzola d'acciaio o strumento di taglio. Leggere tutti gli avvisi di sicurezza, le istruzioni, le illustrazioni e le caratteristiche tecniche fornite con questo utensile.** La mancata osservanza delle istruzioni riportate di seguito può provocare scosse elettriche, incendi e/o gravi infortuni.
- È sconsigliabile utilizzare questo utensile elettrico per eseguire operazioni quali la lucidatura.** Le operazioni per cui l'utensile non è stato progettato possono creare un rischio e lesioni personali.

3. **Non utilizzare accessori non appositamente progettati e consigliati dal produttore dell'utensile.** Il semplice fissaggio dell'accessorio al proprio utensile non garantisce un funzionamento sicuro.
4. **La velocità nominale dell'accessorio deve essere almeno equivalente alla velocità massima indicata sull'utensile elettrico.** Gli accessori che funzionano più velocemente della velocità nominale possono rompersi in più pezzi.
5. **Il diametro esterno e lo spessore dell'accessorio devono corrispondere alla capacità nominale dell'utensile elettrico.** Gli accessori con dimensioni errate non possono essere custoditi o controllati adeguatamente.
6. **Il montaggio filettato degli accessori deve corrispondere alla filettatura del mandrino della smerigliatrice. Per gli accessori montati mediante flange, il foro dell'albero dell'accessorio deve corrispondere al diametro di posizionamento della flangia.** Gli accessori che non corrispondono alla ferramenta di montaggio dell'utensile elettrico risulteranno squilibrati, vibreranno eccessivamente e potrebbero causare la perdita di controllo.
7. **Non utilizzare un accessorio danneggiato. Controllare l'accessorio prima di ogni utilizzo, verificando ad esempio l'assenza di scheggiature e fessure nei dischi abrasivi, l'assenza di crepe, lacerazioni o segni eccessivi di usura sui cuscinetti di supporto e l'assenza di fili allentati o spezzati nelle spazzole metalliche. Se l'utensile elettrico o l'accessorio è caduto, verificare l'eventuale presenza di danni o montare un accessorio intatto. Dopo aver esaminato e installato un accessorio, scostarsi e allontanare eventuali persone presenti dal piano di rotazione dell'accessorio, quindi azionare l'utensile alla massima velocità a vuoto per un minuto.** Solitamente gli accessori danneggiati si rompono durante questa verifica.
8. **Indossare l'equipaggiamento di protezione individuale. Utilizzare uno schermo facciale, una maschera protettiva oppure degli occhiali di sicurezza in base all'applicazione da effettuare. Se necessario, indossare una maschera antipolvere, guanti e un grembiule da officina in grado di fermare frammenti piccoli o abrasivi del pezzo in lavorazione.** La protezione per gli occhi deve essere in grado di fermare i residui scagliati durante le varie operazioni. La maschera antipolvere o il respiratore deve essere in grado di filtrare le particelle generate dall'operazione. L'esposizione prolungata al rumore ad alta intensità può causare la perdita dell'udito.
9. **Mantenere gli astanti a distanza di sicurezza dall'area di lavoro. Tutte le persone che entrano nella zona di lavoro devono indossare l'equipaggiamento di protezione individuale.** I frammenti del pezzo in lavorazione o di un accessorio rotto possono essere scagliati e provocare infortuni anche oltre l'area dell'operazione.
10. **Se vengono eseguite operazioni in cui l'utensile di taglio può toccare fili nascosti, impugnare l'utensile solo dai punti di presa isolati.** In caso di contatto con un filo percorso da corrente, le parti metalliche esposte dell'utensile si troveranno

anch'esse sotto tensione e potrebbero provocare scosse elettriche all'operatore.

11. **Non appoggiare l'utensile elettrico a terra se l'accessorio non è completamente fermo.** L'accessorio rotante può agganciare la superficie causando la perdita di controllo dell'utensile.
12. **Non avviare l'utensile mentre lo si trasporta sul fianco.** In caso di contatto accidentale, l'accessorio rotante può impigliarsi nei vestiti provocando lesioni fisiche.
13. **Pulire regolarmente le aperture di ventilazione dell'utensile elettrico.** La ventola del motore attraversa la polvere all'interno dell'alloggiamento e l'accumulo eccessivo di polvere metallica può causare pericoli elettrici.
14. **Non utilizzare l'utensile elettrico vicino a materiali infiammabili.** Le scintille possono provocare l'accensione di questi materiali.
15. **Non utilizzare accessori che richiedano refrigeranti liquidi.** L'utilizzo di acqua o altri refrigeranti liquidi può provocare elettrocuzione o scosse elettriche.

#### **Contraccolpi e relative avvertenze**

Il contraccolpo è una reazione improvvisa dovuta all'inceppamento di un disco in rotazione, di un cuscinetto di supporto, di una spazzola o di qualunque altro accessorio. L'inceppamento causa un improvviso stallo dell'accessorio rotante, che a sua volta spinge l'utensile elettrico privo di controllo nella direzione opposta al verso di rotazione dell'accessorio.

Ad esempio, se un disco abrasivo si incastra nel pezzo in lavorazione, il bordo del disco inceppato potrebbe attaccarsi alla superficie del materiale, causando l'innalzamento o l'espulsione del disco. Il disco potrebbe schizzare contro l'operatore o nella direzione opposta, a seconda della direzione di movimento del disco nel punto di inceppamento. In queste circostanze i dischi abrasivi possono anche rompersi.

Il contraccolpo è determinato dall'uso improprio dell'utensile elettrico e/o da procedure o condizioni operative errate; può essere evitato adottando le precauzioni specifiche illustrate di seguito.

- a) **Stringere con forza l'utensile posizionando il proprio corpo e il braccio in modo da resistere alla forza del contraccolpo. Utilizzare sempre la maniglia ausiliaria, se in dotazione, per il massimo controllo in caso di reazione contro la coppia di torsione o i contraccolpi in fase di avviamento.** Adottando le precauzioni adeguate, l'operatore può controllare le reazioni alla coppia di torsione o alla forza del contraccolpo.
- b) **Non avvicinare le mani all'accessorio rotante.** Potrebbe verificarsi un contraccolpo dell'accessorio contro la mano.
- c) **Se si verificano contraccolpi, non posizionare il corpo nel raggio di spostamento dell'utensile elettrico.** Il contraccolpo spingerà l'utensile nella direzione opposta al movimento del disco nel punto di inceppamento.
- d) **Prestare particolare attenzione durante le operazioni su spigoli, bordi appuntiti e così via. Evitare di fare rimbalzare o inceppare l'accessorio.** Gli spigoli, i bordi appuntiti o i rimbalzi

tendono a far inceppare l'accessorio rotante, provocando contraccolpi o perdite di controllo.

e) **Non utilizzare una lama per scolpire il legno munita di catena o una lama di taglio dentata.**

Queste lame tendono a creare frequenti contraccolpi e perdite di controllo.

#### **Avvertenze di sicurezza specifiche per le operazioni di smerigliatura e taglio abrasivo:**

a) **Utilizzare esclusivamente i tipi di dischi consigliati per l'utensile elettrico in uso e la protezione specifica progettata per il disco scelto.** I dischi non progettati per l'utensile elettrico in uso non possono essere controllati adeguatamente e sono pertanto pericolosi.

b) **La superficie di smerigliatura dei dischi a centro depresso deve essere montata sotto il piano del lembo della protezione.** Un disco montato in maniera impropria, che sporge attraverso il piano del lembo della protezione, non può essere protetto adeguatamente.

c) **La protezione deve essere saldamente fissata all'utensile elettrico e posizionata in modo da garantire la massima sicurezza, così che solo una minima parte del disco sia esposta verso l'operatore.** La protezione aiuta a proteggere l'operatore da frammenti di disco rotti e dal contatto accidentale con il disco e con le scintille che potrebbero incendiare gli abiti.

d) **I dischi devono essere utilizzati soltanto per le applicazioni consigliate. Ad esempio: non smerigliare con il lato del disco da taglio.** I dischi abrasivi da taglio devono essere utilizzati per la smerigliatura periferica, le forze laterali applicate a questi dischi possono causarne la frantumazione.

e) **Utilizzare sempre flange del disco intatte, con le dimensioni e la forma corrette per il disco scelto.** Le flange idonee sostengono il disco e riducono quindi la possibilità che si rompa. Le flange per i dischi di taglio possono essere diverse dalle flange per i dischi di smerigliatura.

f) **Non utilizzare dischi usurati di utensili elettrici con dimensioni maggiori.** I dischi destinati a utensili elettrici più grandi non sono adatti per le velocità più elevate di un utensile più piccolo e possono esplodere.

#### **Ulteriori avvertenze di sicurezza specifiche per le operazioni di taglio abrasivo:**

a) **Non "bloccare" il disco di taglio o applicare una pressione eccessiva. Non tentare di applicare una profondità di taglio eccessiva.** La sollecitazione eccessiva del disco aumenta il carico e la predisposizione all'avvitamento o al grippaggio del disco nel taglio e la possibilità di contraccolpi o rotture del disco.

b) **Non posizionare il corpo in linea e dietro al disco in rotazione.** Se il disco, nel punto di mobilità, si sposta lontano dal corpo, gli eventuali contraccolpi possono spingere il disco in rotazione e l'utensile elettrico direttamente verso l'operatore.

c) **Quando il disco sta grippando o interrompe un taglio per qualsiasi motivo, spegnere l'utensile e mantenere l'utensile fermo fino a quando il disco si arresta completamente. Durante il taglio, non**

**cercare mai di rimuovere il disco di taglio durante lo spostamento del disco, altrimenti possono verificarsi contraccolpi.** Esaminare le condizioni operative e adottare le misure necessarie per eliminare le cause del grippaggio del disco.

d) **Non ricominciare l'operazione di taglio sul pezzo in lavorazione. Attendere che il disco raggiunga la piena velocità e riprendere il taglio con la massima attenzione.** Se l'utensile elettrico viene riavviato sul pezzo in lavorazione, il disco può grippare, sollevarsi o causare un contraccolpo.

e) **Utilizzare supporti per sostenere i pannelli o eventuali pezzi in lavorazione sovradimensionati per ridurre al minimo il rischio di contraccolpi e incastramenti del disco.** I pezzi in lavorazione di grandi dimensioni tendono a flettersi sotto il loro stesso peso. Collocare i supporti al di sotto del pezzo in lavorazione, in prossimità della linea di taglio e del bordo del pezzo in lavorazione su entrambi i lati del disco.

f) **Prestare particolare attenzione nel caso sia necessario eseguire "tagli con cavità" in cui occorre inserire la lama in una parete esistente o in un'altra superficie chiusa.** Il disco sporgente può tagliare tubi dell'acqua o del gas, cavi elettrici e oggetti che possono causare il contraccolpo.

#### **Avvisi di sicurezza specifici per le operazioni di carteggiatura:**

a) **Non utilizzare una carta abrasiva eccessivamente sovradimensionata. Nel selezionare la carta abrasiva, seguire le raccomandazioni dei produttori.** Una carta abrasiva di dimensioni maggiori che si estende oltre il cuscinetto da smerigliatura presenta un rischio di lacerazione e può causare la sbavatura, l'usura del disco o contraccolpi.

#### **Avvisi di sicurezza specifici per le operazioni di spazzolatura:**

a) **Le setole di ferro cadono dalla spazzola persino durante le operazioni normali. Non sollecitare eccessivamente i fili applicando un carico eccessivo sulla spazzola.** Le setole di ferro possono penetrare facilmente nei vestiti leggeri e/o nella pelle.

b) **Se per la spazzola metallica è consigliato l'utilizzo di una protezione, non fare interferire il disco a raggi o la spazzola con il dispositivo di protezione.** Il diametro del disco a raggi o della spazzola può espandersi a causa del carico di lavoro e delle forze centrifughe.

#### **Avvertenze di sicurezza supplementari:**

- Se vengono utilizzati dischi con centro depresso, accertarsi che si tratti esclusivamente di dischi in fibra di vetro rinforzata.**
- NON UTILIZZARE MAI dischi a tazza in pietra con questa smerigliatrice.** La presente smerigliatrice non è progettata per questo tipo di dischi e l'uso di tale prodotto potrebbe causare gravi lesioni personali.
- Fare attenzione a non danneggiare il mandrino, la flangia (soprattutto la superficie di installazione) o il controdatto. Se queste parti vengono danneggiate, il disco potrebbe rompersi.**



19. Verificare che il disco non tocchi il pezzo in lavorazione prima di accendere l'interruttore.
20. Prima di utilizzare l'utensile su un pezzo in lavorazione, lasciarlo funzionare a vuoto per qualche minuto. Prestare attenzione a vibrazioni e oscillazioni che potrebbero indicare difetti di installazione o il bilanciamento errato del disco.
21. Per la smerigliatura, utilizzare la superficie specificata del disco.
22. Non lasciare l'utensile acceso. Azionare l'utensile solo quando viene tenuto in mano.
23. Non toccare il pezzo subito dopo il lavoro, poiché può raggiungere temperature elevate e provocare ustioni.
24. Osservare le istruzioni del produttore per il corretto montaggio e utilizzo dei dischi. Maneggiare e conservare i dischi con cura.
25. Non utilizzare boccole di riduzione o adattatori separati per montare dischi abrasivi con foro largo.
26. Utilizzare soltanto flange specifiche per questo utensile.
27. Se si utilizzano utensili su cui montare dischi con foro filettato, accertarsi che la filettatura del disco sia sufficientemente lunga da accettare la lunghezza del mandrino.
28. Accertarsi che il pezzo in lavorazione sia fissato stabilmente nei supporti.
29. Tenere presente che il disco continua a girare anche dopo aver spento l'utensile.
30. Se l'ambiente di lavoro è estremamente caldo o umido, oppure contaminato da polvere conduttiva, utilizzare un salvavita (30 mA) per garantire la sicurezza dell'operatore.
31. Non utilizzare l'utensile su materiali che contengono amianto.
32. Quando si usano dischi diamantati, utilizzare sempre la protezione del disco per raccogliere la polvere, come previsto dalle normative in vigore nel paese.
33. I dischi di taglio non devono essere soggetti ad alcuna pressione laterale.
34. Non indossare guanti da lavoro in tessuto durante le operazioni. Le fibre del tessuto dei guanti potrebbero penetrare nell'utensile, provocandone la rottura.

## CONSERVARE QUESTE ISTRUZIONI.

### ⚠ AVVERTENZA:

NON lasciare che la familiarità acquisita con il prodotto (dovuta all'uso ripetuto) provochi l'inosservanza delle norme di sicurezza. L'USO IMPROPRIO o la mancata osservanza delle norme di sicurezza indicate in questo manuale di istruzioni possono provocare gravi danni alla persona.

## ISTRUZIONI DI SICUREZZA IMPORTANTI PER LA

## CARTUCCIA DELLA BATTERIA

ENC007-12

1. Prima di utilizzare la batteria, leggere tutte le istruzioni e gli avvisi di sicurezza relativi a (1) caricabatteria, (2) batteria e (3) prodotto utilizzato con la batteria.
2. Non smontare la batteria.
3. Se il tempo di funzionamento è diventato eccessivamente breve, non utilizzare l'utensile. Potrebbero verificarsi surriscaldamenti, ustioni o esplosioni.
4. In caso di contatto dell'elettrolita della batteria con gli occhi, sciacquare con acqua fresca e rivolgersi immediatamente a un medico. Potrebbero verificarsi danni permanenti alla funzionalità visiva.
5. Non cortocircuitare la batteria:
  - (1) Non toccare i terminali della batteria con materiale in grado di condurre elettricità.
  - (2) Evitare di conservare la batteria a contatto con oggetti metallici quali chiodi, monete e così via.
  - (3) Non esporre le batterie all'acqua o alla pioggia.

Un cortocircuito può provocare un elevato flusso di corrente, surriscaldamento, ustioni o rotture.

6. Non conservare l'utensile e la batteria a una temperatura superiore a 50 °C.
7. Evitare di smaltire le batterie danneggiate o esaurite bruciandole. Se esposte al fuoco, le batterie possono esplodere.
8. Evitare di far cadere o di colpire la batteria.
9. Non utilizzare batterie danneggiate.
10. Le batterie a ioni di litio contenute sono soggette ai requisiti del regolamento sul trasporto di merci pericolose (Dangerous Goods Legislation). Per trasporti commerciali, ad esempio da parte di terzi o spedizionieri, è necessario osservare dei requisiti speciali sull'imballaggio e sull'etichetta. Per la preparazione dell'articolo da spedire, è richiesta la consulenza di un esperto in materiali pericolosi. Attenersi anche alle normative nazionali, che potrebbero essere più dettagliate. Nasstrare o coprire i contatti aperti e imballare la batteria in modo tale che non si possa muovere liberamente all'interno dell'imballaggio.
11. Attenersi alle normative della propria area geografica relative allo smaltimento delle batterie.
12. Utilizzare le batterie solo con i prodotti specificati da Makita. L'installazione delle batterie in prodotti non compatibili potrebbe causare incendi, calore eccessivo, esplosione o perdita di elettroliti.

## CONSERVARE QUESTE ISTRUZIONI.

### ⚠ ATTENZIONE: Utilizzare solo batterie originali Makita.

L'utilizzo di batterie Makita non originali, o di batterie che siano state alterate, potrebbe risultare nello scoppio della batteria, causando incendi, lesioni personali e danni. Inoltre, ciò potrebbe invalidare la garanzia Makita per l'utensile e il caricabatterie Makita.

## Suggerimenti per il prolungamento della durata della batteria

1. **Caricare le batterie prima di scaricarle completamente.**  
Se si nota una diminuzione di potenza dell'utensile, interrompere il lavoro e ricaricare la batteria.
2. **Non ricaricare una batteria già completamente carica.**  
In caso contrario, la durata operativa della batteria potrebbe ridursi.
3. **Caricare la batteria in ambienti con temperatura compresa tra 10 °C e 40 °C.** Prima di caricare una batteria surriscaldata, lasciarla raffreddare.
4. **Caricare la batteria qualora non venga utilizzata per un lungo periodo (superiore a sei mesi).**

## DESCRIZIONE FUNZIONALE

### ⚠ ATTENZIONE:

- Prima di regolare o controllare le funzioni dell'utensile, verificare sempre di averlo spento e di aver rimosso la batteria.

## Inserimento o rimozione della batteria (Fig. 1)

### ⚠ ATTENZIONE:

- Spegnere sempre l'utensile prima di inserire o rimuovere la batteria.
- **Tenere saldamente l'utensile e la batteria durante l'inserimento o la rimozione della batteria stessa.** In caso contrario potrebbero scivolare dalle mani, causando danni all'utensile e alla batteria o lesioni personali.

Per rimuovere la batteria, è sufficiente estrarla dall'utensile facendo scorrere il pulsante sulla parte anteriore della batteria.

Per inserire la batteria, allineare la linguetta sulla batteria con la scanalatura nell'alloggiamento e farla scorrere in posizione. Inserirla a fondo fino a bloccarla in posizione con uno scatto. Se è visibile l'indicatore rosso sul lato superiore del pulsante, significa che la batteria non è completamente inserita.

### ⚠ ATTENZIONE:

- Inserire sempre a fondo la batteria, fino alla scomparsa dell'indicatore rosso. In caso contrario, potrebbe fuoriuscire accidentalmente dall'utensile, provocando danni all'operatore o a eventuali osservatori.
- Non forzare l'inserimento della batteria. Se la batteria non scorre agevolmente, significa che la manovra di inserimento non è corretta.

## Azionamento dell'interruttore

### ⚠ ATTENZIONE:

- Prima di inserire la batteria nell'utensile, controllare se l'interruttore scorrevole funziona correttamente e ritorna alla posizione "OFF" quando viene premuta la parte posteriore dell'interruttore.
- È possibile bloccare l'interruttore nella posizione "ON" per garantire comodità all'operatore durante l'uso prolungato dell'utensile. Prestare attenzione quando si

blocca l'utensile nella posizione "ON" e mantenere una presa sicura.

Per avviare l'utensile, spostare l'interruttore scorrevole verso la posizione "I (ON)" premendo la parte posteriore dell'interruttore. Per il funzionamento continuo, premere la parte anteriore dell'interruttore scorrevole per bloccarlo. Per fermare l'utensile, premere la parte posteriore dell'interruttore scorrevole, quindi portarlo nella posizione "O (OFF)". (Fig. 2)

## Funzione di prevenzione del riavvio accidentale

Anche se la batteria è inserita nell'utensile con l'interruttore scorrevole nella posizione "I (ON)", l'utensile non si avvia.

Per accendere l'utensile, portare l'interruttore scorrevole prima nella posizione "O (OFF)", quindi nella posizione "I (ON)".

## Funzione di controllo elettronico della coppia

L'utensile rileva elettronicamente eventuali rischi di blocco per il disco o l'accessorio. In tal caso, l'utensile si spegne automaticamente per evitare che il mandrino continui a girare (senza però evitare contraccolpi).

Per riavviare l'utensile, iniziare spegnendo l'utensile stesso, rimuovere ciò che ha rallentato bruscamente la rotazione del mandrino, quindi riaccendere l'utensile.

## Indicazione della capacità residua della batteria

### Solo per batterie con spia (Fig. 3)

Premere il pulsante di controllo sulla batteria per visualizzare la capacità residua della batteria. Le spie luminose si illuminano per qualche secondo.

Spie luminose			Capacità residua
Accesa	Spenta	Lampeggiante	
■	□	◻	Dal 75% al 100%
■	■	□	Dal 50% al 75%
■	■	□	Dal 25% al 50%
■	□	□	Dal 0% al 25%
◻	□	□	Caricare la batteria.
■	■	□	Probabile malfunzionamento della batteria.
□	□	■	

015658

### NOTA:








- Il valore indicato potrebbe variare leggermente dalla capacità effettiva in base alle condizioni di utilizzo e alla temperatura ambientale.

## Indicazione della capacità residua della batteria

(in base al Paese) (Fig. 4)



All'accensione dell'utensile, l'indicatore della batteria segnala la capacità residua della batteria.

La capacità residua della batteria è indicata come descritto nella tabella di seguito.

Stato dell'indicatore della batteria			Capacità residua della batteria
 : acceso	 : spento	 : lampeggiante	
			50% - 100%
			20% - 50%
			0% - 20%
			Caricare la batteria

015096

## Funzione di cambiamento automatico della velocità (Fig. 5)

Stato dell'indicatore della modalità	Modalità di funzionamento
	Modalità ad alta velocità
	Modalità a coppia elevata

015098

Questo utensile è dotato di una "modalità ad alta velocità" e di una "modalità a coppia elevata". La modalità di funzionamento viene cambiata automaticamente in base al carico di lavoro. Se l'indicatore della modalità è acceso durante il funzionamento, l'utensile è nella modalità a coppia elevata.

## Sistema di protezione dell'utensile e della batteria

L'utensile è dotato di un sistema di protezione dell'utensile e della batteria. Questo sistema interrompe automaticamente l'alimentazione del motore per prolungare la durata dell'utensile e della batteria. L'utensile si spegne automaticamente durante l'uso se l'utensile stesso o la batteria si trovano in una delle seguenti condizioni. In alcune condizioni, l'indicatore si accende.





### Protezione dal sovraccarico

Se viene usato in modo da causare un assorbimento anormalmente alto di corrente, l'utensile si spegne automaticamente senza alcuna indicazione. In questa situazione, spegnere l'utensile e interrompere

l'operazione che ha provocato il sovraccarico dell'utensile. Successivamente, accendere nuovamente l'utensile per riavviarlo.

### Protezione dal surriscaldamento dell'utensile




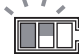
In caso di surriscaldamento dell'utensile, l'utensile si spegne automaticamente e l'indicatore della batteria mostra lo stato indicato di seguito. In questa situazione, far raffreddare l'utensile prima di azionarlo nuovamente.

Indicatore della batteria	 : acceso	 : spento	 : lampeggiante
	L'utensile si è surriscaldato		

015140

### Disattivazione del blocco protezione

Quando il sistema di protezione si attiva ripetutamente, l'utensile si blocca e l'indicatore della batteria mostra lo stato seguente.

Indicatore della batteria	 : acceso	 : spento	 : lampeggiante
	Il blocco protezione è attivo		

015200

In questo caso, l'utensile non parte neanche spegnendolo e riaccendendolo. Per disattivare il blocco protezione, togliere la batteria, posizionarla nel caricabatterie e aspettare che la carica sia terminata.

## Blocco dell'albero

### ⚠ ATTENZIONE:

- Non azionare il blocco dell'albero mentre il mandrino è in movimento. L'utensile potrebbe subire danni.

Premere il blocco dell'albero per evitare la rotazione del mandrino durante l'installazione o la rimozione degli accessori. (Fig. 6)

## MONTAGGIO

### ⚠ ATTENZIONE:

- Prima di eseguire qualsiasi operazione sull'utensile, verificare sempre di averlo spento e di aver rimosso la batteria.

## Installazione dell'impugnatura laterale

### ⚠ ATTENZIONE:

- Accertarsi sempre che l'impugnatura laterale sia montata correttamente prima di azionare l'utensile.

Avvitare saldamente l'impugnatura laterale sul punto dell'utensile mostrato nella figura. (Fig. 7)

## Installazione e rimozione della protezione del disco (per dischi con centro depresso, dischi di taglio abrasivi/multidisco, dischi diamantati)

### ⚠ AVVERTENZA:

- Durante l'uso di un disco di smerigliatura con centro depresso/multidisco, di un disco flessibile, di una spazzola metallica a disco, di un disco di taglio o di un disco diamantato, la protezione del disco deve essere montata sull'utensile in modo che il lato chiuso della protezione sia sempre rivolto verso l'operatore.
- Se si utilizza un disco di taglio abrasivo/diamantato, accertarsi di utilizzare solo l'apposita protezione del disco progettata per l'uso con i dischi di taglio (in alcuni paesi europei, se si utilizza un disco diamantato è possibile usare la protezione normale; attenersi alle normative in vigore nel proprio paese).

### Per utensili con protezione del disco di tipo leva a morsetto

Dopo aver allentato la vite, allentare la leva posizionata sulla protezione del disco. Montare la protezione del disco con la sporgenza della banda di protezione allineata con la tacca sull'alloggiamento del cuscinetto. Ruotare quindi la protezione del disco a un'angolazione tale da proteggere l'operatore, in base al tipo di lavoro. (Fig. 8) Serrare la leva per fissare la protezione del disco. Se la leva è troppo stretta o troppo allentata per fissare la protezione del disco, allentare o serrare la vite per regolare il fissaggio della banda di protezione del disco. (Fig. 9)

Per rimuovere la protezione del disco, attenersi alla procedura di installazione procedendo in senso inverso.

### Per utensili con protezione del disco di tipo chiusura con vite (Fig. 10)

Montare la protezione del disco con le sporgenze sulla banda della protezione del disco allineate con le tacche sull'alloggiamento del cuscinetto. Ruotare quindi la protezione del disco di 180° in senso antiorario. Serrare la vite fino in fondo.

Per rimuovere la protezione del disco, attenersi alla procedura di installazione procedendo in senso inverso.

## Installazione o rimozione del disco con centro depresso o del disco ad alette (accessorio opzionale)

### ⚠ AVVERTENZA:

- Durante l'uso di un disco con centro depresso o di un disco ad alette, la protezione del disco deve essere montata sull'utensile in modo che il lato chiuso della protezione sia sempre rivolto verso l'operatore.
- Azionare il blocco dell'albero solo mentre il mandrino non è in movimento.

Montare la flangia interna sul mandrino. Montare il disco o la mola sulla flangia interna e avvitare il controdado sul mandrino. (Fig. 11)

Per serrare il controdado, premere saldamente il blocco dell'albero in modo da evitare la rotazione del mandrino, quindi utilizzare l'apposita chiave per serrare il controdado in senso orario. (Fig. 12)

Per rimuovere il disco, attenersi alla procedura di installazione procedendo in senso inverso.

## Installazione o rimozione di Ezynut (accessorio opzionale)

### ⚠ ATTENZIONE:

- Non utilizzare Ezynut con una superflangia o una smerigliatrice angolare il cui numero di modello termina con "F". Queste flange sono così spesse che il mandrino non è in grado di trattenere l'intera filettatura. Montare la flangia interna, il disco abrasivo ed Ezynut sul mandrino, avendo cura che il logo Makita su Ezynut sia rivolto verso l'esterno. (Fig. 13) Premere saldamente il blocco dell'albero e serrare Ezynut ruotando il disco abrasivo in senso orario fino al suo arresto. Ruotare l'anello esterno di Ezynut in senso antiorario per allentarlo. (Fig. 14)

### NOTA:

- Ezynut può essere allentato manualmente a condizione che la freccia sia rivolta verso la tacca. In caso contrario, è necessaria una chiave per controdadi per allentarlo. Inserire un'estremità della chiave in un foro e ruotare Ezynut in senso antiorario. (Fig. 15 e 16)

## Installazione o rimozione del disco flessibile

### Accessorio opzionale

### ⚠ AVVERTIMENTO:

- **Utilizzare sempre la protezione in dotazione quando il disco flessibile è montato sull'utensile.** Il disco potrebbe frantumarsi durante l'uso, e la protezione contribuisce a ridurre il rischio di lesioni personali. (Fig. 17)

Seguire le istruzioni per il disco a centro depresso, ma usare anche il platorello di sostegno sopra il disco. Vedere l'ordine di montaggio nella pagina degli accessori del presente manuale.

## Installazione o rimozione del dischetto abrasivo (accessorio opzionale) (Fig. 18)

Montare il cuscinetto in gomma sul mandrino. Montare il disco sul cuscinetto in gomma e avvitare il controdado sul mandrino. Per serrare il controdado, premere saldamente il blocco dell'albero in modo da evitare la rotazione del mandrino, quindi utilizzare l'apposita chiave per serrare il controdado in senso orario.

Per rimuovere il disco, attenersi alla procedura di installazione procedendo in senso inverso.

### NOTA:

- Utilizzare soltanto gli accessori di carteggiatura indicati nel presente manuale. Devono essere acquistati separatamente.

## FUNZIONAMENTO

### ⚠ AVVERTENZA:

- Non dovrebbe essere mai necessario forzare l'utensile. Il peso stesso dell'utensile esercita una pressione

adeguata. Una forza o una pressione eccessiva possono provocare una rottura pericolosa del disco.

- Sostituire SEMPRE il disco se l'utensile è caduto durante la smerigliatura.
- Non sbattere MAI né fare urtare il disco o la mola contro il pezzo in lavorazione.
- Evitare di fare rimbalzare o urtare il disco, in particolare durante il lavoro negli angoli, sui bordi aguzzi e così via. Questo comportamento potrebbe causare la perdita di controllo e contraccolpi.
- Non usare MAI l'utensile con lame di taglio per il legno o altre lame per sega. Se utilizzate con le smerigliatrici, tali lame provocano frequentemente dei contraccolpi, causando perdite di controllo con pericolo di lesioni.

#### **⚠ ATTENZIONE:**

- Non accendere l'utensile quando è a contatto con il pezzo in lavorazione, poiché potrebbe causare lesioni all'operatore.
- Indossare sempre occhiali di protezione o uno schermo facciale durante il lavoro.
- Dopo l'uso, spegnere sempre l'utensile e attendere che il disco si fermi completamente prima di riporre l'utensile.

### **Smerigliatura e carteggiatura (Fig. 19)**

Tenere SEMPRE saldamente l'utensile con una mano sull'alloggiamento e l'altra sull'impugnatura laterale.

Accendere l'utensile e posizionare il disco o la mola sul pezzo in lavorazione.

In linea generale, tenere il bordo del disco o della mola a un angolo di circa 15 gradi rispetto alla superficie del pezzo in lavorazione.

Durante il periodo di rodaggio di un nuovo disco, non spostare la smerigliatrice nella direzione B, poiché taglierebbe il pezzo in lavorazione. Una volta che il bordo del disco è stato arrotondato dall'uso, il disco può essere spostato in entrambe le direzioni A e B.

### **Funzionamento con mola troncatrice abrasiva/disco diamantato**

#### **Accessorio opzionale**

#### **AVVERTIMENTO:**

- **Quando si intende utilizzare una mola troncatrice o un disco diamantato, accertarsi di utilizzare esclusivamente la protezione disco speciale progettata per l'impiego con le mole troncatrici.** (in alcune nazioni europee è possibile utilizzare la protezione ordinaria quando si utilizza un disco diamantato. Attenersi alle normative della propria nazione).
- **Non utilizzare MAI una mola troncatrice per la molatura laterale.**
- **Non spingere forzatamente il disco né applicare una pressione eccessiva. Non tentare di realizzare tagli eccessivamente profondi.** La sollecitazione eccessiva del disco aumenta il carico e la sua suscettibilità alla torsione o all'inceppamento nel taglio, nonché la possibilità di contraccolpi, rottura del disco stesso e surriscaldamento del motore.
- **Non iniziare l'operazione di taglio all'interno del pezzo in lavorazione. Lasciare che il disco raggiunga la piena velocità ed entrare con cura nel**

- taglio spostando l'utensile in avanti sulla superficie del pezzo in lavorazione.** Il disco potrebbe incepparsi, rialzarsi o causare un contraccolpo, se l'utensile elettrico viene avviato all'interno del pezzo.
- **Durante le operazioni di taglio, non cambiare mai l'angolazione del disco.** L'applicazione di una pressione laterale su una mola troncatrice (come per la molatura), causa la spaccatura e la rottura della mola, causando gravi lesioni personali.
- **Un disco diamantato va utilizzato perpendicolarmente al materiale da tagliare.** (Fig. 20)

Come per l'installazione, attenersi alle istruzioni per il disco a centro depresso.

**La direzione di montaggio del controdado e della flangia interna varia a seconda del tipo e dello spessore del disco.**

Fare riferimento alle figure seguenti.

### **Per il modello da 100 mm**

**Quando si intende installare una mola troncatrice abrasiva: (Fig. 21)**

**Quando si intende installare un disco diamantato: (Fig. 22)**

### **Per il modello da 115 mm/125 mm**

**Quando si intende installare una mola troncatrice abrasiva: (Fig. 23)**

**Quando si intende installare un disco diamantato: (Fig. 24)**

### **Funzionamento con la spazzola metallica a coppa (accessorio opzionale)**

#### **⚠ ATTENZIONE:**

- Per controllare il funzionamento della spazzola, avviare l'utensile a vuoto, assicurandosi che non vi siano persone davanti alla spazzola.
- Non utilizzare spazzole danneggiate o non equilibrate. L'uso di una spazzola danneggiata potrebbe aumentare la possibilità di infortuni dovuti al contatto con i fili rotti della spazzola.

Estrarre la batteria dall'utensile e posizionarlo capovolto in modo da accedere facilmente al mandrino. Rimuovere eventuali accessori dal mandrino. Avvitare la spazzola metallica a coppa sul mandrino e serrarla con la chiave in dotazione. Durante l'uso della spazzola, evitare di applicare una pressione eccessiva che può causare la piegatura oltre i limiti dei fili, causando rotture premature. (Fig. 25)

### **Funzionamento con la spazzola metallica a disco (accessorio opzionale)**

#### **⚠ ATTENZIONE:**

- Per controllare il funzionamento della spazzola metallica a disco, avviare l'utensile a vuoto, assicurandosi che non vi siano persone davanti alla spazzola.
- Non utilizzare spazzole metalliche a disco danneggiate o non equilibrate. L'uso di una spazzola metallica a

disco danneggiata potrebbe aumentare la possibilità di infortuni dovuti al contatto con i fili rotti della spazzola.

- Utilizzare SEMPRE la protezione con le spazzole metalliche a disco, verificando che il diametro del disco possa essere contenuto all'interno della protezione. Il disco può frantumarsi durante l'uso e la protezione aiuta a ridurre le possibilità di infortuni.

Estrarre la batteria dall'utensile e posizionarlo capovolto in modo da accedere facilmente al mandrino. Rimuovere eventuali accessori dal mandrino. Montare la spazzola metallica a disco sul mandrino e serrarla con le chiavi.

**(Fig. 26)**

Durante l'uso della spazzola metallica a disco, evitare di applicare una pressione eccessiva che può causare la piegatura oltre i limiti dei fili, causando rotture premature.

## MANUTENZIONE

### **ATTENZIONE:**

- Prima di effettuare controlli e operazioni di manutenzione, verificare sempre di aver spento l'utensile e di aver rimosso la batteria.
- Evitare assolutamente di usare benzina, diluenti, solventi, alcol o sostanze simili. In caso contrario, potrebbero verificarsi scoloriture, deformazioni o incrinature.

L'utensile e le aperture di ventilazione devono essere mantenuti puliti. Pulire le aperture di ventilazione dell'utensile regolarmente o quando iniziano a essere ostruite. **(Fig. 27)**

Rimuovere il coperchio antipolvere dall'apertura di aspirazione e pulirlo per garantire un'adeguata circolazione dell'aria. **(Fig. 28)**

### **NOTA:**

- Pulire il coperchio antipolvere quando appare ostruito da polvere o da corpi estranei. Il funzionamento continuato con un coperchio antipolvere ostruito può danneggiare l'utensile.

Per preservare la SICUREZZA e l'AFFIDABILITÀ del prodotto, qualsiasi riparazione o intervento di manutenzione e regolazione deve essere eseguito dai centri assistenza autorizzati Makita utilizzando sempre ricambi Makita.

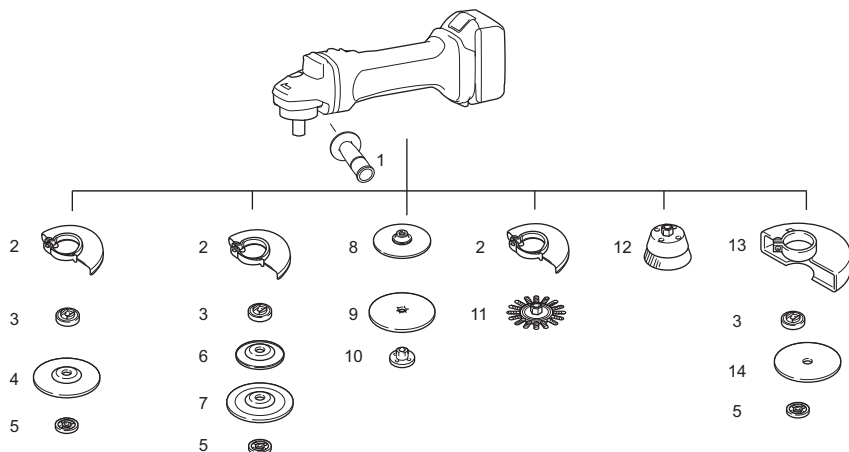
## ACCESSORI OPZIONALI

### **ATTENZIONE:**

- Si consiglia l'uso dei seguenti accessori per l'utensile Makita descritto in questo manuale. L'uso di qualsiasi altro accessorio potrebbe provocare lesioni personali. Utilizzare gli accessori esclusivamente per l'uso dichiarato.

Per l'assistenza e per ulteriori informazioni su tali accessori, rivolgersi al centro assistenza Makita di zona.

- Batteria e caricabatterie originali Makita



	Modello da 100 mm	Modello da 115 mm	Modello da 125 mm
1	Impugnatura 36		
2	Protezione disco (per la mola)		
3	Flangia interna	Flangia interna/Super flangia *1*2	Flangia interna/Super flangia
4	Disco a centro depresso/disco lamellare		
5	Controdado	Controdado/Ezynut *1*2	Controdado/Ezynut *2
6	Platorello di sostegno		
7	Disco flessibile		
8	Platorello di gomma 76	Platorello di gomma 100	Platorello di gomma 115
9	Disco abrasivo		
10	Controdado di carteggiatura		
11	Spazzola metallica a disco		
12	Spazzola metallica a tazza		
13	Protezione disco (per mola troncatrice abrasiva) *3		
14	Mola troncatrice abrasiva/disco diamantato		
-	Chiave per controdadi		

Nota:

\*1 Solo per utensili con filettatura del mandrino M14.

\*2 Non utilizzare assieme la Super flangia e l'Ezynut.

\*3 In alcune nazioni europee, quando si utilizza un disco diamantato è possibile utilizzare la protezione ordinaria al posto della protezione speciale che copre entrambi i lati del disco. Attenersi alle normative della propria nazione.

015100-2

#### NOTA:

- Alcuni degli accessori elencati potrebbero essere inclusi nella confezione dell'utensile come accessori standard. Gli accessori standard possono differire da paese a paese.

#### Rumore

ENG905-1

Il tipico livello di rumore ponderato A è determinato in conformità alla norma EN60745:

#### Modello DGA404

Livello di pressione sonora ( $L_{pA}$ ): 80 dB (A)

Livello di potenza sonora ( $L_{WA}$ ): 91 dB (A)

Variazione (K): 3 dB (A)

### Modello DGA454, DGA504

Livello di pressione sonora ( $L_{pA}$ ): 79 dB (A)

Variazione (K): 3 dB (A)

Il livello di rumore durante il funzionamento può superare 80 dB (A).

**Indossare una protezione acustica.**

### Vibrazioni

ENG900-1

Il valore totale delle vibrazioni (somma vettoriale triassiale) è determinato in conformità alla norma EN60745:

#### Modello DGA404

Modalità di lavoro: smerigliatura della superficie con impugnatura laterale normale

Emissione di vibrazioni ( $a_{h,AG}$ ): 4,5 m/s<sup>2</sup>

Variazione (K): 1,5 m/s<sup>2</sup>

Modalità di lavoro: smerigliatura della superficie con impugnatura laterale anti-vibrazioni

Emissione di vibrazioni ( $a_{h,AG}$ ): 4,0 m/s<sup>2</sup>

Variazione (K): 1,5 m/s<sup>2</sup>

Modalità di lavoro: smerigliatura con disco

Emissione di vibrazioni ( $a_{h,DS}$ ): 2,5 m/s<sup>2</sup> o inferiore

Variazione (K): 1,5 m/s<sup>2</sup>

#### Modello DGA454, DGA504

Modalità di lavoro: smerigliatura della superficie con impugnatura laterale normale

Emissione di vibrazioni ( $a_{h,AG}$ ): 6,5 m/s<sup>2</sup>

Variazione (K): 1,5 m/s<sup>2</sup>

Modalità di lavoro: smerigliatura della superficie con impugnatura laterale anti-vibrazioni

Emissione di vibrazioni ( $a_{h,AG}$ ): 6,0 m/s<sup>2</sup>

Variazione (K): 1,5 m/s<sup>2</sup>

Modalità di lavoro: smerigliatura con disco

Emissione di vibrazioni ( $a_{h,DS}$ ): 2,5 m/s<sup>2</sup> o inferiore

Variazione (K): 1,5 m/s<sup>2</sup>

ENG902-1

- Il valore di emissione delle vibrazioni dichiarato è stato misurato in conformità con il metodo di test standard e può essere utilizzato per confrontare tra loro diversi utensili.
- Il valore di emissione delle vibrazioni dichiarato può anche essere utilizzato per stime preliminari dell'esposizione.
- Il valore dell'emissione delle vibrazioni dichiarato è utilizzato per le applicazioni principali dello strumento. Tuttavia, se lo strumento viene utilizzato per altre applicazioni, il valore dell'emissione delle vibrazioni potrebbe essere diverso.

### AVVERTENZA:

- L'emissione delle vibrazioni durante l'uso effettivo dell'utensile elettrico può risultare diversa rispetto al valore dichiarato, in base alla modalità d'uso dell'utensile.
- Assicurarsi di individuare le necessarie misure di sicurezza per proteggere l'operatore in base a una stima dell'esposizione nelle condizioni reali di utilizzo (prendendo in considerazione tutte le fasi del ciclo operativo, come quante volte l'utensile viene spento e i periodi in cui rimane inattivo, oltre al tempo di avviamento).

### Dichiarazione di conformità CE

#### **Solo per i paesi europei**

La dichiarazione di conformità CE è inclusa nell'Allegato A di questo manuale di istruzioni.



## NEDERLANDS (Originele instructies)

### Verklaring van het onderdelenoverzicht

1. Knop	15. Schijf met een verzonken middengat	28. Doorslijpschijf of diamantschijf
2. Rode deel	16. Binnenflens	29. Beschermpak voor doorslijpschijf of diamantschijf
3. Accu	17. Borgmoersleutel	30. Doorslijpschijf (dunner dan 4 mm)
4. Aan-uitschakelaar	18. Ezynut	31. Doorslijpschijf (4 mm of dikker)
5. Indicatorlampjes	19. Slijpschijf	32. Diamantschijf (dunner dan 4 mm)
6. Testknop	20. As	33. Diamantschijf (4 mm of dikker)
7. Accu-indicator	21. Pijlpunt	34. Komvormige draadborstel
8. Functie-indicator	22. Uitsparing	35. Schijfvormige draadborstel
9. Asvergrendeling	23. Flexischijf	36. Luchtuitlaatopening
10. Beschermpak	24. Rugschijf	37. Luchtinlaatopening
11. Lagerhuis	25. Borgmoer voor schuren	38. Stofrooster
12. Schroef	26. Schuur- en slijpschijf	
13. Hendel	27. Rubberen rugschijf	
14. Borgmoer		

## TECHNISCHE GEGEVENS

Model		DGA404	DGA454	DGA504
Schijfdiameter		100 mm (4")	115 mm (4-1/2")	125 mm (5")
Max. schijfdikte		6,4 mm (1/4")	6,4 mm (1/4")	6,4 mm (1/4")
Asschroefdraad		M10	M14 of 5/8" (afhankelijk van het land)	
Nominale toerental (n)/Nullasttoerental (n <sub>0</sub> )		8.500 min <sup>-1</sup>		
Totale lengte	Met accu BL1815N, BL1820, BL1820B	348 mm		
	Met accu BL1830, BL1830B, BL1840, BL1840B, BL1850, BL1850B, BL1860B	362 mm		
Nettogewicht	Met accu BL1815N, BL1820, BL1820B	2,2 kg	2,3 kg	2,3 kg
	Met accu BL1830, BL1830B, BL1840, BL1840B, BL1850, BL1850B, BL1860B	2,4 kg	2,5 kg	2,5 kg
Nominale spanning		18 V gelijkstroom		

- Als gevolg van ons doorlopende onderzoeks- en ontwikkelingsprogramma, zijn de technische gegevens van dit gereedschap onderhevig aan veranderingen zonder voorafgaande kennisgeving.
- Specificaties en accu's kunnen van land tot land verschillen.
- Gewicht, inclusief de accu, volgens de EPTA-procedure 01/2003


### Gebruiksdoelstellingen

ENE048-1

Het gereedschap is bedoeld voor het slijpen, schuren en doorslijpen van metaal en steen zonder gebruik van water.

## Algemene veiligheidsaankuwingen voor elektrisch gereedschap

GEA010-1

 **WAARSCHUWING** Lees alle veiligheidsaankuwingen en alle instructies. Het niet volgen van de waarschuwingen en instructies kan leiden tot elektrische schokken, brand en/of ernstig letsel.

**Bewaar alle waarschuwingen en instructies om in de toekomst te kunnen raadplegen.**

## VEILIGHEIDSWAARSCHUWINGEN SPECIFIEK VOOR EEN ACCUSLIJPMACHINE

GEB059-4

**Gemeenschappelijke veiligheidsaankuwingen voor slijp-, schuur-, draadborstel- en doorslijpwerkzaamheden:**

- Dit elektrisch gereedschap is bedoeld voor gebruik als slijp-, schuur-, draadborstel- of doorslijpwerkzaamheden. Lees alle veiligheidsaankuwingen, instructies, afbeeldingen en technische gegevens die bij dit elektrisch gereedschap worden geleverd. Als u nalaat alle onderstaande instructies te volgen, kan dit leiden tot een elektrische schok, brand en/of ernstig letsel.
- Werkzaamheden zoals polijsten worden niet aangeraden met dit elektrisch gereedschap. Werkzaamheden waarvoor dit elektrisch gereedschap

niet is bedoeld kunnen gevaarlijke situaties opleveren en tot persoonlijk letsel leiden.

3. **Gebruik geen accessoires die niet specifiek zijn ontworpen en aanbevolen door de fabrikant van het gereedschap.** Ook wanneer het accessoire kan worden bevestigd op uw elektrisch gereedschap, is een veilige werking niet gegarandeerd.
4. **Het nominaal toerental van het accessoire moet minstens gelijk zijn aan het maximumtoerental vermeld op het elektrisch gereedschap.** Accessoires die met een hoger toerental draaien dan hun nominaal toerental kunnen stuk breken en in het rond vliegen.
5. **De buitendiameter en de dikte van het accessoire moet binnen het capaciteitsbereik van het elektrisch gereedschap vallen.** Accessoires met verkeerde afmetingen kunnen niet afdoende worden afgeschermd of beheerst.
6. **Als accessoires met schroefdraadbevestiging worden aangebracht, moet de schroefdraad overeenkomen met de schroefdraad op de as van de slijpmachine. Als accessoires met flensbevestiging worden aangebracht, moet het asgat van het accessoire overeenkomen met de diameter van de pasrand op de flens.** Accessoires die niet overeenkomen met de bevestigingshardware van het elektrisch gereedschap, zullen niet gebalanceerd draaien en buitensporig trillen, en kunnen leiden tot verlies van controle over het gereedschap.
7. **Gebruik nooit een beschadigd accessoire. Inspecteer het accessoire vóór ieder gebruik, bijvoorbeeld een slijpschijf op ontbrekende schijfers en barsten; een rugschijf op barsten, scheuren of buitensporige slijtage; en een draadborstel op losse of gebarsten draden. Nadat het elektrisch gereedschap is gevallen, inspecteert u het op schade of monteert u een onbeschadigd accessoire. Na inspectie en montage van een accessoire, zorgt u ervoor dat u en omstanders niet in het rotatie vlak van het accessoire staan, en laat u het elektrisch gereedschap draaien op het maximaal, onbelast toerental gedurende één minuut.** Beschadigde accessoires breken normaal gesproken in stukken gedurende deze testduur.
8. **Gebruik persoonlijke veiligheidsmiddelen. Afhankelijk van de toepassing gebruikt u een spatscherm, een beschermende bril of een veiligheidsbril. Al naar gelang van toepassing draagt u een stofmasker, gehoorbeschermers, handschoenen en een werkschort die in staat zijn kleine stukjes slijpsel of werkstukfragmenten te weerstaan.** De oogbescherming moet in staat zijn rondvliegend afval te stoppen dat ontstaat bij de diverse werkzaamheden. Het stofmasker of ademhalingsapparaat moet in staat zijn deeltjes te filteren die ontstaat bij de werkzaamheden. Langdurige blootstelling aan zeer intens geluid kan leiden tot gehoorbeschadiging.
9. **Houd omstanders op veilige afstand van het werkgebied. Iedereen die zich binnen het werkgebied begeeft, moet persoonlijke veiligheidsmiddelen gebruiken.** Fragmenten van

het werkstuk of van een uiteengevallen accessoire kunnen rondvliegen en letsel veroorzaken buiten de onmiddellijke werkomgeving.

10. **Houd het elektrisch gereedschap alleen vast aan het geïsoleerde oppervlak van de handgrepen wanneer u werkt op plaatsen waar het zaaggarnituur met verborgen bedrading in aanraking kan komen.** Door aanraking van onder spanning staande draden, zullen de niet-geïsoleerde metalen delen van het gereedschap onder spanning komen te staan zodat de gebruiker een elektrische schok kan krijgen.
11. **Leg het elektrisch gereedschap nooit neer voordat het accessoire volledig tot stilstand is gekomen.** Het ronddraaiende accessoire kan de ondergrond pakken zodat u de controle over het elektrisch gereedschap verliest.
12. **Laat het elektrisch gereedschap niet draaien terwijl u het naast u draagt.** Als het ronddraaiende accessoire u per ongeluk raakt, kan het verstrikt raken in uw kleding waardoor het accessoire in uw lichaam wordt getrokken.
13. **Maak de ventilatieopeningen van het gereedschap regelmatig schoon.** De ventilator van de motor zal het stof de behuizing in trekken, en een grote opeenhoping van metaalslijpsel kan leiden tot elektrisch gevaarlijke situaties.
14. **Gebruik het elektrisch gereedschap niet in de buurt van brandbare materialen.** Vonken kunnen deze materialen doen ontvlammen.
15. **Gebruik geen accessoires die met vloeistof moeten worden gekoeld.** Het gebruik van water of andere vloeibare koelmiddelen kan leiden tot elektrocutie of elektrische schokken.

#### **Terugslag en aanverwante waarschuwingen**

Terugslag is een plotselinge reactie op een beknelde of vastgelopen draaiende schijf, rugschijf, draadborstel of enig ander accessoire. Beknellen of vastlopen veroorzaakt een snelle stilstand van het draaiende accessoire dat op zijn beurt ertoe leidt dat het elektrisch gereedschap zich ongecontroleerd beweegt in de tegenovergestelde richting van de draairichting van het accessoire op het moment van vastlopen.

Bijvoorbeeld, als een slijpschijf bekneld raakt of vastloopt in het werkstuk, kan de rand van de schijf die het beknellingspunt ingaat, zich invreten in het oppervlak van het materiaal waardoor de schijf eruit klimt of eruit slaat. De schijf kan daarbij naar de gebruiker toe of weg springen, afhankelijk van de draairichting van de schijf op het beknellingspunt. Slijpschijven kunnen in dergelijke situaties ook breken.

Terugslag is het gevolg van misbruik van het elektrisch gereedschap en/of onjuiste gebruiksprocedures of -omstandigheden, en kan worden voorkomen door goede voorzorgsmaatregelen te treffen, zoals hieronder vermeld:

- a) **Houd het gereedschap stevig vast en houdt uw armen en lichaam zodanig dat u in staat bent een terugslag op te vangen. Gebruik altijd de extra handgreep (indien aanwezig) voor een maximale controle over het gereedschap in geval van terugslag en koppelreactie bij het starten.** De gebruiker kan een terugslag of de koppelreactie opvangen indien de juiste voorzorgsmaatregelen worden getroffen.

- b) **Plaats uw hand nooit in de buurt van het draaiende accessoire.** Het accessoire kan terugslaan over uw hand.
- c) **Plaats uw lichaam niet in het gebied waar het elektrisch gereedschap naar toe gaat wanneer een terugslag optreedt.** Een terugslag zal het gereedschap bewegen in de tegenovergestelde richting van de draairichting van de schijf op het moment van beknellen.
- d) **Wees bijzonder voorzichtig bij het werken met hoeken, scherpe randen, enz. Voorkom dat het accessoire springt of bekneld raakt.** Hoeken, scherpe randen of springen veroorzaken vaak beknellen van het draaiende accessoire wat leidt tot terugslag of verlies van controle over het gereedschap.
- e) **Bevestig geen houtbewerkingsblad van een zaagketting of getand zaagblad.** Dergelijke accessoires leiden vaak tot terugslag of verlies van controle over het gereedschap.

#### Veiligheidswaarschuwingen specifiek voor slijp- en doorslijpwerkzaamheden:

- a) **Gebruik uitsluitend schijven van het type aanbevolen voor uw elektrisch gereedschap en de specifieke beschermkap voor de te gebruiken schijf.** Schijven waarvoor het elektrisch gereedschap niet is ontworpen, kunnen niet goed worden afgeschermd en zijn niet veilig.
- b) **Het slijpvlak van slijpschijven met een verzonken middengat moet lager liggen dan het vlak van de lip op de beschermkap.** Een onjuist aangebrachte schijf die uitsteekt door het vlak van de lip op de beschermkap kan niet afdoende worden beschermd.
- c) **De beschermkap moet stevig worden vastgezet aan het elektrisch gereedschap en in de maximaal beschermende stand worden gezet zodat het kleinste mogelijke deel van de schijf is blootgesteld in de richting van de gebruiker.** De beschermkap helpt de gebruiker te beschermen tegen afgebroken stukjes van de schijf, het per ongeluk aanraken van de schijf en vonken die kleding kunnen doen ontvlammen.
- d) **De schijven mogen uitsluitend worden gebruikt voor de aanbevolen toepassingen. Bijvoorbeeld: u mag niet slijpen met de zijkant van een doorslijpschijf.** Doorslijpschijven zijn bedoeld voor slijpen met de rand. Krachten op het zijoppervlak kunnen deze schijven doen breken.
- e) **Gebruik altijd onbeschadigde schijfflenzen van de juiste afmetingen en vorm voor de te gebruiken schijf.** Een goede schijfflens ondersteunt de schijf en verkleint daarmee de kans op het breken van de schijf. Flenzen voor doorslijpschijven kunnen verschillen van flenzen voor slijpschijven.
- f) **Gebruik geen afgesleten schijven van grotere elektrische gereedschappen.** Schijven die zijn bedoeld voor grotere elektrische gereedschappen zijn niet geschikt voor de hogere snelheid van een kleiner elektrisch gereedschap en kunnen in stukken breken.

#### Aanvullende veiligheidswaarschuwingen specifiek voor doorslijpwerkzaamheden:

- a) **Laat de doorslijpschijf niet vastlopen en oefen geen buitensporige druk uit. Probeer niet een buitensporig diepe snede te snijden.** Een te grote kracht op de schijf verhoogt de belasting en de kans dat de schijf in de snede verdraait of vastloopt, waardoor terugslag kan optreden of de schijf kan breken.
- b) **Plaats uw lichaam niet in één lijn achter de ronddraaiende schijf.** Wanneer de schijf, op het aangrijppunt in het werkstuk, zich van uw lichaam af beweegt, kunnen door de mogelijke terugslag de ronddraaiende schijf en het elektrisch gereedschap in uw richting worden geworpen.
- c) **Wanneer de schijf vastloopt of u het slijpen onderbreekt, schakelt u het elektrisch gereedschap uit en houdt u dit stil totdat de schijf volledig tot stilstand is gekomen. Probeer nooit de doorslijpschijf uit de snede te halen terwijl de schijf nog draait omdat hierdoor een terugslag kan optreden.** Onderzoek waarom de schijf is vastgelopen en tref afdoende maatregelen om de oorzaak ervan op te heffen.
- d) **Begin niet met doorslijpen terwijl de schijf al in het werkstuk steekt. Wacht totdat de schijf de volle snelheid heeft bereikt en breng daarna de schijf voorzichtig terug in de snede.** Wanneer het elektrisch gereedschap opnieuw wordt gestart terwijl de schijf al in het werkstuk steekt, kan de schijf vastlopen, omhoog lopen of terugslaan.
- e) **Ondersteun platen en grote werkstukken om de kans op het beknellen van de schijf en terugslag te minimaliseren.** Grote werkstukken neigen door te zakken onder hun eigen gewicht. U moet het werkstuk ondersteunen vlakbij de snijlijn en vlakbij de rand van het werkstuk aan beide kanten van de schijf.
- f) **Wees extra voorzichtig bij blind slijpen in bestaande wanden of op andere plaatsen.** De uitstekende schijf kan gas- of waterleidingen, elektrische bedrading of voorwerpen die terugslag veroorzaken raken.

#### Veiligheidswaarschuwingen specifiek voor schuurwerkzaamheden:

- a) **Gebruik geen veel te grote schuurpapierenschijven. Volg de aanwijzingen van de fabrikant bij uw keuze van het schuurpapier.** Te groot schuurpapier dat uitsteekt tot voorbij de rand van het schuurkussen levert snijgevaar op en kan beknellen of scheuren van de schuurpapierenschijf of terugslag veroorzaken.

#### Veiligheidswaarschuwingen specifiek voor draadborstelwerkzaamheden:

- a) **Wees erop bedacht dat ook tijdens normaal gebruik borsteldraden door de draadborstel worden rondgeslingerd. Oefen niet te veel kracht uit op de borsteldraden door een te hoge belasting van de draadborstel.** De borsteldraden kunnen met gemak door dunne kleding en/of de huid dringen.
- b) **Als het gebruik van een beschermkap wordt aanbevolen voor draadborstelen, zorgt u ervoor**

dat de draadschijf of draadborstel niet in aanraking komt met de beschermkap. De draadschijf of draadborstel kan in diameter toenemen als gevolg van de werkbelasting en centrifugale krachten.

het gereedschap terecht komen, waardoor het gereedschap defect kan raken.

## BEWAAR DEZE INSTRUCTIES.

### WAARSCHUWING:

Laat u NIET misleiden door een vals gevoel van comfort en bekendheid met het gereedschap (na veelvuldig gebruik) en neem alle veiligheidsvoorschriften van het betreffende product altijd strikt in acht. VERKEERD GEBRUIK of het niet volgen van de veiligheidsinstructies in deze gebruiksaanwijzing kan leiden tot ernstig persoonlijk letsel.

## BELANGRIJKE VEILIGHEIDSinSTRUCTIES VOOR EEN ACCU

ENC007-12

1. Alvorens de accu in gebruik te nemen, leest u eerst alle instructies en waarschuwingsopdrachten op (1) de acculader, (2) de accu en (3) het apparaat waarin de accu wordt aangebracht.
2. Haal de accu niet uit elkaar.
3. Als de gebruikstijd aanzienlijk korter is geworden, stopt u onmiddellijk met het gebruik. Anders kan dit leiden tot kans op oververhitting, mogelijke brandwonden en zelfs een explosie.
4. Als de elektrolyt in uw ogen komt, wast u deze uit met schoon water en raadpleegt u onmiddellijk een arts. Dit kan leiden tot verlies van gezichtsvermogen.
5. Sluit de accu niet kort:
  - (1) Raak de accupolen niet aan met enig geleidend materiaal.
  - (2) Bewaar de accu niet op een plaats waar deze in aanraking kan komen met andere metalen voorwerpen, zoals spijkers, munten, enz.
  - (3) Stel de accu niet bloot aan water of regen. Kortsluiting van de accu kan leiden tot een hoge stroomsterkte, oververhitting, mogelijke brandwonden en zelfs een defect.
6. Bewaar het gereedschap en de accu niet op plaatsen waar de temperatuur kan oplopen tot 50 °C of hoger.
7. Werp de accu niet in een vuur, zelfs niet als deze al ernstig beschadigd of helemaal versleten is. De accu kan in een vuur exploderen.
8. Wees voorzichtig dat u de accu niet laat vallen of ergens tegenaan stoot.
9. Gebruik nooit een beschadigde accu.
10. De bijgeleverde lithium-ionbatterijen zijn onderhevig aan de vereisten in de wetgeving omtrent gevaarlijke stoffen.  
Voor commercieel transport en dergelijke door derden en transporteurs moeten speciale vereisten ten aanzien van verpakking en etikettering worden nageleefd.  
Als voorbereiding van het artikel dat wordt getransporteerd is het noodzakelijk een expert op het gebied van gevaarlijke stoffen te raadplegen. Houd u tevens aan mogelijk strengere nationale regelgeving. Blootliggende contactpunten moeten worden afgedekt

### Aanvullende veiligheids waarschuwingen:

16. Bij gebruik van een slijpschijf met een verzonken middengat, mag u uitsluitend met glasvezel versterkte schijven gebruiken.
17. **GEBRUIK NOOIT** een stenen komschijf op deze slijpmachine. Deze slijpmachine is niet ontworpen voor dit type schijven en het gebruik ervan kan leiden tot ernstig persoonlijk letsel.
18. Let erop dat u de as, de flens (met name de montagekant) en de borgmoer niet beschadigt. Als deze onderdelen beschadigd raken, kan de schijf breken.
19. Zorg ervoor dat de schijf niet in aanraking is met het werkstuk voordat u het gereedschap hebt ingeschakeld.
20. Laat het gereedschap een tijdje draaien voordat u het op het werkstuk gebruikt. Controleer op trillingen of schommelingen die op onjuiste montage of een slecht uitgebalanceerde schijf kunnen wijzen.
21. Gebruik de aangegeven kant van de schijf om mee te slijpen.
22. Laat het gereedschap niet ingeschakeld liggen. Bedien het gereedschap alleen wanneer u het vasthoudt.
23. Raak de schijf niet onmiddellijk na gebruik aan. Deze kan bijzonder heet zijn en brandwonden op uw huid veroorzaken.
24. Houd u aan de instructies van de fabrikant voor juiste montage en gebruik van de schijven. Behandel en bewaar de schijven zorgvuldig.
25. Gebruik geen afzonderlijke verkleinbussen of adapteringen om slijpschijven met een groot middengat te kunnen monteren.
26. Gebruik uitsluitend flenzen die geschikt zijn voor dit gereedschap.
27. Voor gereedschappen waarop schijven met schroefdraad in het middengat kunnen worden gemonteerd, controleert u dat de schroefdraad van de schijf lang genoeg is voor de lengte van de as.
28. Controleer of het werkstuk goed wordt ondersteund.
29. Wees erop bedacht dat de schijf blijft doordraaien nadat het gereedschap is uitgeschakeld.
30. Als de werkruimte bijzonder heet en vochtig is, of sterk vervuild is met geleidend stof, gebruik dan een kortsluitonderbreker (30 mA) om de veiligheid van de gebruiker te garanderen.
31. Gebruik het gereedschap niet op materiaal dat asbest bevat.
32. Bij gebruik van een doorslijpschijf, gebruikt u altijd de stofbeschermer, zoals vereist door plaatselijke regelgeving.
33. Doorslijpschijven mogen niet worden blootgesteld aan enige laterale druk.
34. **Draag geen stoffen werkhandschoenen tijdens het gebruik.** Vezels van stoffen handschoenen kunnen in

met tape en de accu moet zodanig worden verpakt dat deze niet kan bewegen in de verpakking.

11. **Neem de plaatselijke regelgeving met betrekking tot het weggooien van de accu in acht.**
12. **Gebruik de accu's uitsluitend met de apparaten opgegeven door Makita.** Als de accu's worden geplaatst in niet-compatibele apparaten, kan dat leiden tot brand, buitensporige hitte, een explosie of lekkage van elektrolyt.

## BEWAAR DEZE INSTRUCTIES.

**⚠ LET OP: Gebruik uitsluitend originele Makita accu's.**

Het gebruik van niet-originele accu's, of accu's die zijn gewijzigd, kan ertoe leiden dat de accu ontploft en brand, persoonlijk letsel en schade veroorzaakt. Ook vervalt daarmee de garantie van Makita op het gereedschap en de lader van Makita.

### Tips voor een lange levensduur van de accu

1. **Laad de accu op voordat deze volledig leeg is. Wanneer u merkt dat het gereedschap minder vermogen heeft, stopt u met het gebruik ervan en laadt u eerst de accu op.**
2. **Laad nooit een volledig opgeladen accu op. Te lang opladen verkort de levensduur van de accu.**
3. **Laad de accu op bij een omgevingstemperatuur van 10 °C tot 40 °C. Laat een warme accu eerst afkoelen voordat u deze oplaadt.**
4. **Als de accu gedurende een lange tijd (meer dan zes maanden) niet gebruikt, laadt u deze eerst op alvorens deze te gebruiken.**

## BESCHRIJVING VAN DE FUNCTIES

**⚠ LET OP:**

- Zorg ervoor dat het gereedschap is uitgeschakeld en dat de accu is verwijderd voordat u de werking van het gereedschap aanpast of controleert.

### De accu aanbrengen en verwijderen (zie afb. 1)

**⚠ LET OP:**

- Schakel het gereedschap altijd uit voordat u de accu aanbrengt of verwijderd.
- **Houd het gereedschap en de accu stevig vast tijdens het aanbrengen of verwijderen van de accu.** Als u het gereedschap en de accu niet stevig vasthoudt, kunnen deze uit uw handen glijpen en beschadigd raken, of kan persoonlijk letsel worden veroorzaakt.

Om de accu te verwijderen verschuift u de knop aan de voorkant van de accu en schuift u tegelijkertijd de accu eraf.

Om de accu aan te brengen, lijnt u de lip op de accu uit met de groef in de behuizing en duwt u de accu op zijn plaats. Steek de accu zo ver mogelijk erin tot u een klikgeluid hoort. Als u het rode deel aan de bovenkant van de knop kunt zien, is de accu niet goed aangebracht.

**⚠ LET OP:**

- Breng de accu altijd helemaal aan totdat het rode deel niet meer zichtbaar is. Als u dit niet doet, kan de accu per ongeluk uit het gereedschap vallen en letsel veroorzaken bij u of anderen in uw omgeving.
- Breng de accu niet met kracht aan. Als de accu niet gemakkelijk erin kan worden geschoven, wordt deze niet goed aangebracht.

### Werking van de aan-uitschakelaar

**⚠ LET OP:**

- Controleer altijd, voordat u de accu in het gereedschap aanbrengt, of de aan-uitschakelaar op de juiste manier schakelt en weer terugkeert naar de uit-stand wanneer op de achterkant van de aan-uitschakelaar wordt gedrukt.
- De aan-uitschakelaar kan worden vergrendeld in de aan-stand ten behoeve van het gebruikersgemak bij langdurig gebruik. Wees voorzichtig wanneer het gereedschap in de aan-stand is vergrendeld en houd het gereedschap stevig vast.

Om het gereedschap in te schakelen, schuift u de aan-uitschakelaar naar de stand "I" (aan) door tegen de achterkant van de aan-uitschakelaar te duwen. Om het gereedschap continu te laten werken, drukt u op de voorkant van de aan-uitschakelaar om deze te vergrendelen.

Om het gereedschap te stoppen, drukt u op de achterkant van de aan-uitschakelaar en schuift u deze naar de stand "O" (uit) (zie afb. 2).

### Beveiliging tegen onopzettelijk herstarten

Zelfs als de accu in het gereedschap is aangebracht terwijl de aan-uitschakelaar in de stand "I" (aan) staat, start het gereedschap niet.

Om het gereedschap te starten schuift u de aan-uitschakelaar eerst naar de stand "O" (uit) en vervolgens naar de stand "I" (aan).

### Elektronische koppelregelfunctie

Het gereedschap detecteert elektronisch situaties waarin de schijf of het accessoire gevaar loopt om vast te lopen. In dergelijke situaties wordt het gereedschap automatisch uitgeschakeld om verder ronddraaien van de as te voorkomen (dit voorkomt niet terugslag).

Om het gereedschap weer te starten, schakelt u eerst het gereedschap uit, heft u vervolgens de oorzaak van de plotselinge afname van het toerental op, en schakelt u tenslotte het gereedschap weer in.

### De resterende acculading controleren

**Alleen voor accu's met de indicator (zie afb. 3)**

Druk op de testknop op de accu om de resterende acculading af te lezen. De indicatorlampjes branden gedurende enkele seconden.

Indicatorlampjes			Resterende acculading
Brandt	Uit	Knippert	
			75% tot 100%
			50% tot 75%
			25% tot 50%
			0% tot 25%
			Laad de accu op.
			Er kan een storing in de accu zijn opgetreden.

015658

#### OPMERKING:

- Afhankelijk van de gebruiksomstandigheden en de omgevingstemperatuur, is het mogelijk dat de aangegeven acculading verschilt van de werkelijke acculading.

### De resterende acculading controleren

(Afhankelijk van het land) (zie afb. 4)

Wanneer u het gereedschap inschakelt, geeft de accu-indicator de resterende acculading aan.

De resterende acculading wordt aangegeven volgens de onderstaande tabel.

Toestand van accu-indicator			Resterende acculading
: Aan	: Uit	: Knippert	
			50% tot 100%
			20% tot 50%
			0% tot 20%
			Laad de accu op.

015096

### Automatische toerentalwisselfunctie (zie afb. 5)

Toestand van functie-indicator	Bedrijfsfunctie
	Hoog-toerentalfunctie
	Hoog-koppelfunctie

015098

Dit gereedschap heeft een "hoog-toerentalfunctie" en een "hoog-koppelfunctie". De bedrijfsfunctie wordt automatisch veranderd aan de hand van de werkbelasting. Wanneer tijdens gebruik de functie-indicator gaat branden, staat het gereedschap in de hoog-koppelfunctie.

### Gereedschap-/accubeveiligingssysteem

Het gereedschap is uitgerust met een gereedschap-/accubeveiligingssysteem. Dit systeem schakelt automatisch de voeding naar de motor uit om de levensduur van het gereedschap en de accu te verlengen. Het gereedschap zal tijdens gebruik automatisch stoppen wanneer het gereedschap of de accu zich in een van de volgende omstandigheden bevindt. Onder bepaalde omstandigheden gaat het indicatorlampje branden.

#### Overbelastingsbeveiliging

Wanneer het gereedschap wordt gebruikt op een manier waardoor een abnormaal hoge stroom wordt getrokken, stopt het gereedschap automatisch zonder dat een indicatorlampje gaat branden. Schakel in die situatie het gereedschap uit en stop het gebruik dat ertoe leidde dat het gereedschap overbelast werd. Schakel daarna het gereedschap in om het weer te starten.

#### Oververhittingsbeveiliging voor het gereedschap

Wanneer het gereedschap oververhit is, stopt het gereedschap automatisch en toont de accu-indicator de volgende toestand. In die situatie laat u het gereedschap eerst afkoelen voordat u het gereedschap opnieuw inschakelt.

Accu-indicator	: Aan	: Uit	: Knippert
			Gereedschap is oververhit

015140

#### De beveiligingsvergrendeling opheffen

Wanneer het beveiligingssysteem herhaaldelijk in werking treedt, wordt het gereedschap vergrendeld en geeft de accu-indicator de volgende toestand aan.

Accu-indicator	: Aan	: Uit	: Knippert
			Beveiligingsvergrendeling in werking

015200

In deze toestand start het gereedschap niet, ook niet wanneer het gereedschap wordt uitgeschakeld en weer

ingeschakeld. Om de beveiligingsvergrendeling op te heffen, verwijdert u de accu, plaatst u hem in de acculader en wacht u tot het opladen klaar is.

## Asvergrendeling

### ⚠ LET OP:

- Bedien de asvergrendeling nooit terwijl de as nog draait. Het gereedschap kan hierdoor worden beschadigd.

Druk op de asvergrendeling om te voorkomen dat de as kan draaien tijdens het monteren of verwijderen van schijven of accessoires (zie afb. 6).

## DE ONDERDELEN MONTEREN

### ⚠ LET OP:

- Controleer altijd of het gereedschap is uitgeschakeld en de accu is verwijderd alvorens enige werkzaamheden aan het gereedschap te verrichten.

### De zijhandgreep monteren (handvat)

#### ⚠ LET OP:

- Controleer altijd voor gebruik dat de zijhandgreep stevig vastzit.

Draai de zijhandgreep vast op het gereedschap in een van de standen aangegeven in de afbeelding (zie afb. 7).

### De beschermkap aanbrengen en verwijderen (voor schijf met een verzonken middengat, multischijf, doorslijpschijf, diamantschijf)

#### ⚠ WAARSCHUWING:

- Bij gebruik van een slijpschijf met een verzonken middengat/multischijf, flexischijf, schijfvormige draadborstel, doorslijpschijf of diamantschijf, moet de beschermkap zodanig op het gereedschap worden gemonteerd dat de gesloten zijde van de kap altijd naar de gebruiker is gekeerd.
- Wanneer u een doorslijpschijf of diamantschijf gebruikt, moet u altijd een beschermkap gebruiken die speciaal ontworpen is voor gebruik met doorslijpschijven. (In sommige Europese landen kan bij gebruik van een diamantschijf de normale beschermkap worden gebruikt. Houd u aan de regelgeving in uw land.)

#### Voor gereedschap met een beschermkap met een klemhendel

Zet de hendel op de beschermkap los nadat de schroef is losgedraaid. Monteer de beschermkap met het uitsteeksel op de beschermkap-band uitgelijnd met de uitsparing in het lagerhuis. Draai vervolgens de beschermkap naar een dusdanige hoek dat deze de gebruiker beschermt tijdens de werkzaamheden (zie afb. 8).

Draai de hendel vast om de beschermkap vast te zetten. Als de hendel te vast of te los zit om de beschermkap te bevestigen, draait u de schroef los of vast om de klemkracht van de beschermkap-band in te stellen (zie afb. 9).

Om de beschermkap te verwijderen, volgt u de procedure in omgekeerde volgorde.

#### Voor gereedschap met een beschermkap met een borgschroef (zie afb. 10)

Monteer de beschermkap met het uitsteeksel op de beschermkaprand uitgelijnd met de inkepingen in het lagerhuis. Draai vervolgens de beschermkap 180° linksom. Draai tenslotte de schroef stevig vast.

Om de beschermkap te verwijderen, volgt u de procedure in omgekeerde volgorde.

### Een schijf met een verzonken middengat of een lamellenschijf (optioneel accessoire) aanbrengen en verwijderen

#### ⚠ WAARSCHUWING:

- Bij gebruik van een slijpschijf met een verzonken middengat of een lamellenschijf, moet de beschermkap zodanig op het gereedschap worden gemonteerd dat de gesloten zijde van de kap altijd naar de gebruiker is gekeerd.
- Bedien de asvergrendeling nooit terwijl de as nog draait.

Breng de binnenflens aan op de as. Monteer de schijf op de binnenflens en schroef de borgmoer op de as (zie afb. 11).

Om de borgmoer vast te draaien, drukt u de asvergrendeling stevig in zodat de as niet kan draaien, en gebruikt u vervolgens de borgmoersleutel om de borgmoer stevig rechtsom vast te draaien (zie afb. 12).

Om de schijf te verwijderen, volgt u de procedure in omgekeerde volgorde.

### De Ezynut (optioneel accessoire) aanbrengen of verwijderen

#### ⚠ LET OP:

- Gebruik Ezynut niet met een superflens of een haakse slijpmachine met een "F" achteraan de modelnaam. Dergelijke flenzen zijn zo dik dat niet de gehele schroefdraad op de as kan worden gedraaid.

Breng de binnenflens, slijpschijf en Ezynut zodanig aan op de as dat het Makita-logo op de Ezynut naar buiten is gericht (zie afb. 13).

Druk de asvergrendeling in en draai de Ezynut vast door de slijpschijf zo ver mogelijk rechtsom te draaien.

Draai de buitenring van de Ezynut linksom om deze los te draaien (zie afb. 14).

#### OPMERKING:

- De Ezynut kan met de hand worden losgedraaid wanneer de pijl naar de uitsparing wijst. Anders is een borgmoersleutel nodig om hem los te draaien. Steek één pen van de sleutel in een gat en draai de Ezynut linksom (zie afb. 15 en 16).

### Een flexischijf aanbrengen of verwijderen

#### Optioneel accessoire

#### ⚠ WAARSCHUWING:

- Gebruik altijd de bijgeleverde beschermkap wanneer een flexischijf op het gereedschap is aangebracht. De schijf kan tijdens het gebruik kapotslaan en de beschermkap helpt om persoonlijk letsel te voorkomen (zie afb. 17).

Houd u aan de instructies voor een schijf met een verzonken middengat, maar gebruik tevens een rugschijf onder de schijf. Raadpleeg de volgorde van aanbrengen op de accessoire-pagina in deze gebruiksaanwijzing.

## Een schuurschijf (optioneel accessoire) aanbrengen of verwijderen (zie afb. 18)

Breng de rubberen rugschijf aan op de as. Breng de schuurschijf aan op de rubberen rugschijf en draai de borgmoer op de as. Om de borgmoer vast te draaien, drukt u de asvergrendeling stevig in zodat de as niet kan draaien, en gebruikt u vervolgens de borgmoersleutel om de borgmoer stevig rechtsom vast te draaien.

Om de schuurschijf te verwijderen, volgt u de procedure in omgekeerde volgorde.

### OPMERKING:

- Gebruik uitsluitend schuuraccessoires die in deze gebruiksaanwijzing worden aangegeven. Deze dienen apart te worden aangeschaft.

## BEDIENING

### ⚠ WAARSCHUWING:

- Het moet nooit nodig zijn om grote kracht uit te oefenen op het gereedschap. Het gewicht van het gereedschap zorgt al voor voldoende druk op het werkstuk. Grote kracht en hoge druk uitoefenen kunnen ertoe leiden dat de schijf breekt. Dit is zeer gevaarlijk.
- Vervang de schijf ALTIJD als het gereedschap tijdens het slijpen is gevallen.
- Stoot of sla NOOIT met de slijpschijf tegen het werkstuk.
- Voorkom dat de schijf over het werkstuk huppelt of bekneld raakt tijdens het werken in hoeken, op scherpe randen, enz. Hierdoor kunt u de controle over het gereedschap verliezen of kan terugslag worden veroorzaakt.
- Gebruik het gereedschap NOOIT met zaagbladen en dergelijke. Als dergelijke zaagbladen op een slijpmachine worden gebruikt, verspringen ze veelal waardoor u de controle over het gereedschap verliest en persoonlijk letsel kan ontstaan.

### ⚠ LET OP:

- Schakel het gereedschap nooit in terwijl dit het werkstuk raakt omdat hierdoor de gebruiker kan worden verwond.
- Draag tijdens het gebruik altijd een veiligheidsbril of spatscherm.
- Schakel na gebruik altijd het gereedschap uit en wacht totdat de schijf volledig tot stilstand is gekomen alvorens het gereedschap neer te leggen.

## Gebruik als slijpmachine of schuurmachine (zie afb. 19)

Houd het gereedschap ALTIJD stevig vast met een hand op de behuizing en de andere hand aan de zijhandgreep. Schakel het gereedschap in en breng daarna de schijf in aanraking met het werkstuk.

In het algemeen geldt: houd de rand van de schijf onder een hoek van ongeveer 15 graden op het oppervlak van het werkstuk.

Tijdens de inlooperperiode van een nieuwe schijf, mag u de slijpmachine niet in de richting van pijl B gebruiken omdat de schijf dan in het werkstuk zal snijden. Nadat de rand van de schijf is afgerond door gebruik, kunt u de schijf in de richting van zowel pijl A als B gebruiken.

## Gebruik met een doorslijpschijf of diamantschijf

### Optioneel accessoire

#### ⚠ WAARSCHUWING:

- **Wanneer u een doorslijpschijf of diamantschijf gebruikt, moet u altijd een beschermkap gebruiken die speciaal ontworpen is voor gebruik met doorslijpschijven.**

(In sommige Europese landen kan bij gebruik van een diamantschijf de normale beschermkap worden gebruikt. Houd u aan de regelgeving in uw land.)

- **Gebruik NOOIT een doorslijpschijf om zijdelings mee te slijpen.**
- **Laat de schijf niet vastlopen en oefen geen buitensporige druk uit. Probeer niet een buitensporig diepe snede te slijpen.** Een te grote kracht op de schijf verhoogt de belasting en de kans dat de schijf in de snede verdraait of vastloopt, waardoor terugslag kan optreden, de schijf kan breken of de motor oververhit kan raken.
- **Begin niet met doorslijpen terwijl de schijf al in het werkstuk steekt. Wacht totdat de schijf op maximaal toerental draait en breng daarna de schijf voorzichtig in de snede terwijl u het gereedschap voorwaarts beweegt over het oppervlak van het werkstuk.** Wanneer het elektrisch gereedschap wordt ingeschakeld terwijl de schijf al in het werkstuk steekt, kan de schijf vastlopen, omhoog lopen of terugslaan.
- **Tijdens het doorslijpen mag u nooit de hoek van de schijf veranderen.** Door zijdelingse druk uit te oefenen op de doorslijpschijf (zoals bij slijpen), zal de schijf barsten en breken waardoor ernstig persoonlijk letsel wordt veroorzaakt.
- **Een diamantschijf moet haaks op het door te slijpen werkstuk worden gebruikt (zie afb. 20).**

Volg voor het aanbrengen de instructies voor een schijf met een verzonken middengat.

**De montagerichting van de borgmoer en binnenflens verschilt afhankelijk van het type en de dikte van de schijf.**

Zie de volgende afbeeldingen.

### Voor model voor 100 mm

Een doorslijpschijf aanbrengen: (zie afb. 21)

Een diamantschijf aanbrengen: (zie afb. 22)

### Voor model voor 115 mm en 125 mm

Een doorslijpschijf aanbrengen: (zie afb. 23)

Een diamantschijf aanbrengen: (zie afb. 24)



## Gebruik met een komvormige draadborstel (optioneel accessoire)

### LET OP:

- Controleer de werking van de draadborstel door het gereedschap onbelast te laten draaien terwijl u erop let dat niemand vóór of in één lijn met de draadborstel staat.
- Gebruik de draadborstel niet wanneer deze beschadigd is of onbalans heeft. Het gebruik van een beschadigde draadborstel verhoogt de kans op verwonding door aanraking van afgebroken borsteldraadjes.

Verwijder de accu uit het gereedschap en leg het ondersteboven zodat u goed bij de as kan. Verwijder het accessoire vanaf de as. Draai de komvormige draadborstel op de as en draai hem vast met behulp van de bijgeleverde sleutel. Voorkom tijdens gebruik van de draadborstel te veel druk waardoor de draadjes te veel verbuigen en daardoor te vroeg afbreken (zie afb. 25).

## Gebruik met een schijfvormige draadborstel (optioneel accessoire)

### LET OP:

- Controleer de werking van de schijfvormige draadborstel door het gereedschap onbelast te laten draaien terwijl u erop let dat niemand vóór of in één lijn met de schijfvormige draadborstel staat.
- Gebruik de schijfvormige draadborstel niet wanneer deze beschadigd is of onbalans heeft. Het gebruik van een beschadigde schijfvormige draadborstel verhoogt de kans op verwonding door aanraking van afgebroken borsteldraadjes.
- Gebruik bij de schijfvormige draadborstel ALTIJD de beschermkap, waarbij de buitendiameter van de schijfvormige draadborstel binnenin de beschermkap moet vallen. De schijf kan tijdens het gebruik kapotslaan en de beschermkap helpt verwondingen voorkomen.

Verwijder de accu uit het gereedschap en leg het ondersteboven zodat u goed bij de as kan. Verwijder het accessoire vanaf de as. Draai de schijfvormige draadborstel op de as en zet hem vast met de sleutels (zie afb. 26).

Voorkom tijdens gebruik van de schijfvormige draadborstel te veel druk waardoor de draadjes te veel verbuigen en daardoor te vroeg afbreken.

## ONDERHOUD

### LET OP:

- Zorg er altijd voor dat de machine is uitgeschakeld en de accu is verwijderd voordat u een inspectie of onderhoud uitvoert.
- Gebruik nooit benzine, wasbenzine, thinner, alcohol, enz. Dit kan leiden tot verkleuren, vervormen of barsten.

Het gereedschap en de luchtinlaat- en luchtuitlaatopeningen moeten schoon gehouden worden. Maak de luchtinlaat- en luchtuitlaatopeningen van het gereedschap regelmatig schoon of zodra de openingen verstopt dreigen te raken (zie afb. 27).

Verwijder het stofrooster vanaf de luchtinlaatopening en maak hem schoon voor een goede luchtdoorstroming (zie afb. 28).

### OPMERKING:

- Maak het stofrooster schoon wanneer het verstopt raakt met stof en vreemde stoffen. Doorwerken met een verstopt stofrooster kan het gereedschap beschadigen.

Om de VEILIGHEID en BETROUWBAARHEID van het gereedschap te handhaven, dienen alle reparaties, onderhoud en afstellingen te worden uitgevoerd door een erkend Makita-servicecentrum, en altijd met gebruikmaking van originele Makita-ervangingsonderdelen.

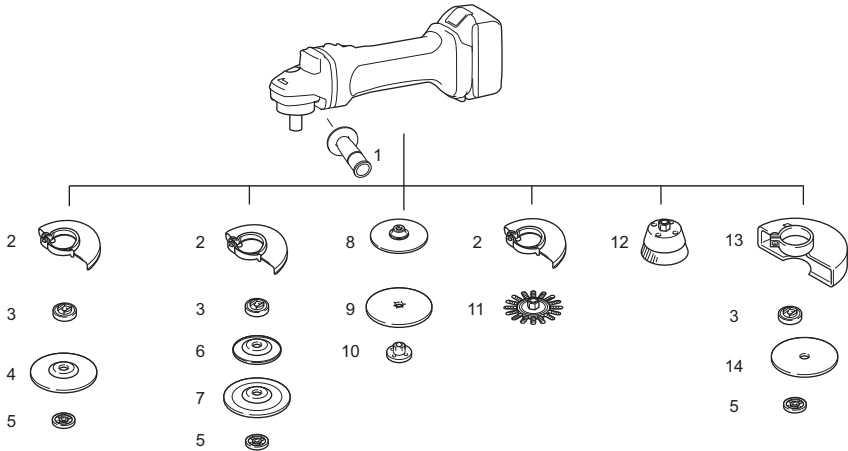
## VERKRIJGBARE ACCESSOIRES

### LET OP:

- Deze accessoires of hulpstukken worden aanbevolen voor gebruik met het Makita-gereedschap dat in deze gebruiksaanwijzing wordt beschreven. Het gebruik van andere accessoires of hulpstukken kan gevaar voor persoonlijk letsel opleveren. Gebruik de accessoires of hulpstukken uitsluitend voor de aangegeven gebruiksdoeleinden.

Mocht u meer informatie willen hebben over deze accessoires, dan kunt u contact opnemen met uw plaatselijke Makita-servicecentrum.

- Originele Makita-accu en -lader



	Model voor 100 mm	Model voor 115 mm	Model voor 125 mm
1	Zijhandgreep 36		
2	Beschermkap (voor slijpschijf)		
3	Binnenflens	Binnenflens/Superflens *1*2	Binnenflens/Superflens
4	Schijf met een verzonken middengat of lamenschijf		
5	Borgmoer	Borgmoer/Ezynut *1*2	Borgmoer/Ezynut *2
6	Rugschijf		
7	Flexischijf		
8	Rubber rugschijf 76	Rubber rugschijf 100	Rubber rugschijf 115
9	Schuurpapierschijf		
10	Borgmoer voor schuren		
11	Schijfvormige draadborstel		
12	Komvormige draadborstel		
13	Beschermkap (voor doorslijpschijf) *3		
14	Doorslijpschijf of diamantschijf		
-	Borgmoersleutel		

Opmerking:

\*1 Alleen voor gereedschappen met M14-asschroefdraad.

\*2 De Superflens en de Ezynut mogen niet tezamen worden gebruikt.

\*3 In sommige Europese landen kan bij gebruik van een diamantschijf de normale beschermkap worden gebruikt in plaats van de speciale beschermkap die beide zijden van de schijf afschermt. Houd u aan de regelgeving in uw land.

015100-2

**OPMERKING:**

- Sommige items op de lijst kunnen zijn inbegrepen in de doos van het gereedschap als standaard toebehoren. Zij kunnen van land tot land verschillen.

**Geluid** ENG905-1  
De typische, A-gewogen geluidsniveaus zijn gemeten volgens EN60745:

**Model DGA404**

Geluidsdrukniveau ( $L_{pA}$ ): 80 dB (A)  
Geluidsvermogeniveau ( $L_{WA}$ ): 91 dB (A)  
Onzekerheid (K): 3 dB (A)

**Model DGA454, DGA504**

Geluidsdrukniveau ( $L_{pA}$ ): 79 dB (A)  
Onzekerheid (K): 3 dB (A)

Het geluidsniveau kan tijdens gebruik hoger worden dan 80 dB (A).

**Draag gehoorbescherming.**

## Trillingen

ENG900-1

De totale trillingswaarde (triaxiale vectorsom) zoals vastgesteld volgens EN60745:

### Model DGA404

Gebruikstoepassing: slijpen van oppervlakken met normale zijhandgreep

Trillingsemmissie ( $a_{h,AG}$ ): 4,5 m/s<sup>2</sup>

Onzekerheid (K): 1,5 m/s<sup>2</sup>

Gebruikstoepassing: slijpen van oppervlakken met trillingsbestendige zijhandgreep

Trillingsemmissie ( $a_{h,AG}$ ): 4,0 m/s<sup>2</sup>

Onzekerheid (K): 1,5 m/s<sup>2</sup>

Gebruikstoepassing: schuren met schijf

Trillingsemmissie ( $a_{h,DS}$ ): 2,5 m/s<sup>2</sup> of lager

Onzekerheid (K): 1,5 m/s<sup>2</sup>

### Model DGA454, DGA504

Gebruikstoepassing: slijpen van oppervlakken met normale zijhandgreep

Trillingsemmissie ( $a_{h,AG}$ ): 6,5 m/s<sup>2</sup>

Onzekerheid (K): 1,5 m/s<sup>2</sup>

Gebruikstoepassing: slijpen van oppervlakken met trillingsbestendige zijhandgreep

Trillingsemmissie ( $a_{h,AG}$ ): 6,0 m/s<sup>2</sup>

Onzekerheid (K): 1,5 m/s<sup>2</sup>

Gebruikstoepassing: schuren met schijf

Trillingsemmissie ( $a_{h,DS}$ ): 2,5 m/s<sup>2</sup> of lager

Onzekerheid (K): 1,5 m/s<sup>2</sup>

ENG902-1

- De opgegeven trillingsemmissiewaarde is gemeten volgens de standaardtestmethode en kan worden gebruikt om dit gereedschap te vergelijken met andere gereedschappen.
- De opgegeven trillingsemmissiewaarde kan ook worden gebruikt voor een beoordeling vooraf van de blootstelling.
- De opgegeven trillingsemmissiewaarde wordt gebruikt bij veel toepassingen van het elektrisch gereedschap. Echter, indien het elektrisch gereedschap wordt gebruikt bij andere toepassingen, dan kan de trillingsemmissiewaarde anders zijn.

### WAARSCHUWING:

- De trillingsemmissie tijdens het gebruik van het elektrisch gereedschap in de praktijk kan verschillen van de opgegeven trillingsemmissiewaarde afhankelijk van de manier waarop het gereedschap wordt gebruikt.
- Zorg ervoor dat veiligheidsmaatregelen worden getroffen ter bescherming van de operator die zijn gebaseerd op een schatting van de blootstelling onder praktijkomstandigheden (rekening houdend met alle fasen van de bedrijfscyclus, zoals de tijdsduur gedurende welke het gereedschap is uitgeschakeld en stationair draait, naast de ingeschakelde tijdsduur).

### EU-verklaring van conformiteit

#### *Alleen voor Europese landen*

De EU-verklaring van conformiteit is opgenomen als Bijlage A in deze instructiehandleiding.

# ESPAÑOL (Instrucciones originales)

## Explicación de los dibujos

- |                              |   |  |
|------------------------------|---|--|
| 1. Botón                     | 16. Brida interior                            | 29. Protector de disco para el disco de corte abrasivo/disco de diamante |
| 2. Indicador rojo            | 17. Llave de contratuerca                     | 30. Muela de corte abrasivo (más fino de 4 mm)                           |
| 3. Cartucho de la batería    | 18. Ezynut                                    | 31. Muela de corte abrasivo (de 4 mm o más grueso)                       |
| 4. Interruptor deslizante    | 19. Disco abrasivo                            | 32. Muela de diamante (más fino de 4 mm)                                 |
| 5. Luces indicadoras         | 20. Eje                                       | 33. Muela de diamante (de 4 mm o más grueso)                             |
| 6. Botón de comprobación     | 21. Flecha                                    | 34. Cepillo de copa de alambre   |
| 7. Indicador de la batería   | 22. Muesca                                    | 35. Cepillo de disco de alambre  |
| 8. Indicador de modo         | 23. Disco flexible                            | 36. Salida de ventilación  |
| 9. Bloqueo del eje           | 24. Plato de respaldo                         | 37. Entrada de ventilación   |
| 10. Protector de disco       | 25. Contratuerca de lijado                    | 38. Cubierta antipolvo   |
| 11. Alojamiento de cojinetes | 26. Disco abrasivo                            |  |
| 12. Tornillo                 | 27. Plato de goma                             |  |
| 13. Palanca                  | 28. Disco de corte abrasivo/disco de diamante |  |
| 14. Contratuerca             |   |  |
| 15. Disco de centro hundido  |   |  |

## ESPECIFICACIONES

Modelo		DGA404	DGA454	DGA504
Diámetro del disco		100 mm (4")	115 mm (4-1/2")	125 mm (5")
Grosor máx. del disco		6,4 mm (1/4")	6,4 mm (1/4")	6,4 mm (1/4")
Rosca del eje		M10	M14 o 5/8" (específico del país)	
Velocidad nominal (n)/Velocidad en vacío (n <sub>0</sub> )		8.500 min <sup>-1</sup>		
Longitud total	Con el cartucho de la batería BL1815N, BL1820, BL1820B	348 mm		
	Con el cartucho de la batería BL1830, BL1830B, BL1840, BL1840B, BL1850, BL1850B, BL1860B	362 mm		
Peso neto	Con el cartucho de la batería BL1815N, BL1820, BL1820B	2,2 kg	2,3 kg	2,3 kg
	Con el cartucho de la batería BL1830, BL1830B, BL1840, BL1840B, BL1850, BL1850B, BL1860B	2,4 kg	2,5 kg	2,5 kg
Tensión nominal		CC 18 V		

- Debido a nuestro programa continuo de investigación y desarrollo, las especificaciones aquí descritas están sujetas a cambios sin previo aviso.
- Las especificaciones y el cartucho de la batería pueden variar de un país a otro.
- Peso, con el cartucho de la batería, de acuerdo con el procedimiento EPTA 01/2003

### Uso previsto

Esta herramienta está pensada para esmerilar, pulir y cortar metales y piedras sin usar agua.

ENE048-1

## Advertencias de seguridad generales para herramientas eléctricas

GEA010-1

**⚠ ADVERTENCIA** Lea todas las advertencias de seguridad y todas las instrucciones. La no observancia de las advertencias y las instrucciones puede provocar descargas eléctricas, incendios y/o lesiones graves.

## Guarde todas las advertencias e instrucciones para futuras consultas.

## ADVERTENCIAS DE SEGURIDAD DE LA ESMERILADORA INALÁMBRICA

GEB059-4

**Advertencias de seguridad generales para operaciones de esmerilado, lijado, cepillado con alambre o corte abrasivo:**

1. Esta herramienta eléctrica está pensada para ser utilizada como esmeriladora, lijadora, cepillo de alambre o cortadora. Lea todas las advertencias de seguridad, instrucciones, ilustraciones y especificaciones que acompañan a esta herramienta eléctrica. No seguir todas las instrucciones que se indican a continuación podría provocar una descarga eléctrica, incendio y/o heridas graves.
2. No se recomienda utilizar esta herramienta para operaciones tales como pulir. El uso de la

herramienta eléctrica en aplicaciones para las cuales no ha sido diseñada puede generar peligros y ocasionar daños personales.

3. **No utilice accesorios diferentes de aquellos que el fabricante haya diseñado o recomendado especialmente para esta herramienta.** El hecho de que el accesorio pueda montarse en la herramienta eléctrica no garantiza que sea seguro.
4. **Las revoluciones nominales del accesorio deben ser como mínimo iguales a la velocidad máxima indicada en la herramienta eléctrica.** Si un accesorio se mueve a una velocidad mayor a la admisible, podría romperse y salir despedido.
5. **El diámetro exterior y el grosor del accesorio deben encontrarse dentro de la capacidad de la herramienta eléctrica.** Los accesorios de tamaño incorrecto no pueden protegerse ni controlarse correctamente.
6. **La rosca de los accesorios que se montan debe coincidir con la rosca del husillo de esmeriladora. Para accesorios montados mediante bridas, el agujero del eje del accesorio debe encajar en el diámetro de la brida.** Los accesorios que no se ajustan correctamente a las piezas de montaje de la herramienta giran descentrados, vibran en exceso y pueden hacer perder el control de la herramienta.
7. **No utilice accesorios dañados. Antes de cada uso inspeccione los accesorios con el fin de detectar, por ejemplo, si un disco abrasivo está astillado o agrietado, si un plato lijador está agrietado, roto o desgastado en exceso, o si un cepillo de alambre contiene púas sueltas o rotas. Si se cae la herramienta eléctrica o el accesorio, compruebe si ha sufrido algún daño o monte un accesorio en buen estado. Una vez revisado y montado un accesorio, colóquese usted y las personas circundantes fuera del plano de rotación del accesorio y deje funcionar la herramienta eléctrica en vacío a velocidad máxima durante un minuto.** Por norma general, los accesorios que están dañados se rompen durante este tipo de prueba.
8. **Utilice equipo de protección personal. Dependiendo del trabajo, utilice una careta, protección para los ojos o gafas de seguridad. Si fuera necesario, utilice una mascarilla antipolvo, protectores auditivos, guantes y un mandil adecuado para protegerse de los pequeños fragmentos que pudieran salir proyectados.** Las gafas de protección deberán ser indicadas para detener los pequeños fragmentos que pudieran salir proyectados al trabajar. La mascarilla antipolvo o respiratoria debe ser apta para filtrar las partículas producidas al trabajar. Una exposición prolongada al ruido puede producir pérdidas auditivas.
9. **Encárguese de que todas las personas se mantengan a suficiente distancia de la zona de trabajo. Toda persona que acceda a la zona de trabajo deberá utilizar equipo de protección personal.** Podría sufrir daños, incluso fuera del área de trabajo inmediata, al salir proyectados fragmentos de la pieza de trabajo o del accesorio.
10. **Sujete la herramienta solamente por las superficies de agarre aisladas al realizar una operación en que la herramienta de corte pueda**

**entrar en contacto con cables ocultos.** Si entra en contacto con un cable con corriente, puede que las piezas metálicas expuestas de la herramienta eléctrica se carguen también de corriente y que el operario reciba una descarga.

11. **Jamás deposite la herramienta eléctrica hasta que el accesorio se haya detenido por completo.** El accesorio en funcionamiento podría entrar en contacto con la superficie de apoyo y hacerle perder el control sobre la herramienta eléctrica.
12. **No deje funcionar la herramienta eléctrica mientras la transporta.** El accesorio en funcionamiento podría ocasionarle daños personales al engancharse accidentalmente en su vestimenta.
13. **Limpie periódicamente los orificios de ventilación de la herramienta.** El ventilador del motor aspira polvo hacia el interior de la carcasa y, en caso de acumularse un exceso de polvo metálico, podría provocar una descarga eléctrica.
14. **No utilice la herramienta eléctrica cerca de materiales inflamables.** Las chispas podrían inflamarlos.
15. **No emplee accesorios que requieran ser refrigerados con líquidos.** El uso de agua u otros refrigerantes líquidos puede provocar una descarga o electrocución.

#### **Contragolpes y advertencias al respecto**

El contragolpe es una reacción brusca que se produce al atascarse o engancharse un disco de esmerilar, un plato lijador, un cepillo de alambre u otro accesorio. Al engancharse o pellizcarse el accesorio en funcionamiento, éste es frenado bruscamente y puede hacer perder el control sobre la herramienta eléctrica, impulsándola en la dirección opuesta al sentido de giro que tenía el accesorio en el momento de agarrotarse. Por ejemplo, si un disco de esmerilar se atasca o engancha en la pieza de trabajo, puede suceder que el borde del accesorio que entra en el material quede bloqueado, provocando la rotura del accesorio o un contragolpe. Según el sentido de giro del disco en el momento de bloquearse, puede que éste resulte despedido en dirección al operario o en sentido opuesto. En este caso también puede suceder que los discos abrasivos se rompan.

El contragolpe es el resultado de un mal uso de la herramienta eléctrica o de condiciones o procedimientos de uso incorrectos y se puede evitar tomando las precauciones que se indican a continuación.

- a) **Sujete con firmeza la herramienta eléctrica y mantenga su cuerpo y brazos en una posición que le permita resistir los contragolpes. Si forma parte del equipo, utilice siempre la empuñadura auxiliar para poder controlar mejor las fuerzas derivadas del contragolpe o los pares de reacción durante la puesta en marcha.** El operario puede controlar los pares de reacción y las fuerzas derivadas del contragolpe si toma las medidas oportunas.
- b) **Jamás aproxime la mano al accesorio en funcionamiento.** En caso de contragolpe el accesorio podría dañarle la mano.
- c) **No se coloque en el área hacia donde se movería la herramienta eléctrica en caso de contragolpe.** En caso de contragolpe la herramienta

saldrá rechazada en sentido opuesto al movimiento del disco.

- d) **Preste especial atención al trabajar en esquinas, bordes afilados, etc. Evite que el accesorio rebote o se atasque.** En las esquinas, bordes afilados, o al rebotar, el accesorio en funcionamiento tiende a atascarse y puede provocar la pérdida de control o un contragolpe.
- e) **No utilice discos de sierra para maderas ni otros accesorios dentados.** Estos accesorios son propensos al contragolpe y pueden hacerle perder el control.

#### **Advertencias de seguridad específicas para operaciones de esmerilado y corte abrasivo:**

- a) **Utilice únicamente los tipos de discos recomendados para su herramienta eléctrica y el protector correcto para el disco en cuestión.** Los discos que no fueron diseñados para esta herramienta no pueden quedar suficientemente protegidos y suponen un peligro.
- b) **La superficie de esmerilado de los discos con el anillo central rebajado debe montarse debajo del plano de la lengüeta de protección.** Un disco montado incorrectamente que sobresalga del plano de la lengüeta de protección no se puede proteger adecuadamente.
- c) **Para obtener el nivel máximo de seguridad, el protector debe estar bien sujeto y colocado en la herramienta eléctrica, de forma que el operario esté expuesto a una parte mínima del disco.** El protector ayuda a proteger al operario de fragmentos de disco rotos, un contacto accidental con el disco y chispas que podrían prender fuego a la ropa.
- d) **Utilice el disco solamente en aquellos trabajos para los que fue concebido. Por ejemplo: no emplee las caras de un disco de corte para esmerilar.** Los discos de corte abrasivos están previstos para esmerilar utilizando su periferia; la aplicación de fuerzas en sus caras puede hacer que se rompan.
- e) **Utilice siempre bridas que estén en buen estado y que tengan las dimensiones y la forma correctas para el disco utilizado.** Una brida adecuada soporta correctamente el disco reduciendo así el peligro de rotura. Las bridas para discos de corte pueden ser diferentes de aquellas para los discos de esmerilar.
- f) **No utilice discos gastados de herramientas eléctricas de mayor tamaño.** Los discos destinados a una herramienta eléctrica más grande no son aptos para soportar la mayor velocidad de las herramientas más pequeñas y podrían romperse.

#### **Advertencias de seguridad adicionales específicas para operaciones de corte abrasivo:**

- a) **No haga demasiada fuerza ni aplique demasiada presión con el disco de corte. No intente hacer cortes de una profundidad excesiva.** Si el disco se somete a una fuerza excesiva, aumenta la carga y las posibilidades de que se doble o se agarrote en el corte, así como de que se rompa o se produzca un contragolpe.
- b) **No se coloque en línea ni detrás del disco en funcionamiento.** Cuando el disco está en

funcionamiento y se mueve en dirección opuesta a usted, un contragolpe podría proyectar el disco y la herramienta en dirección a usted.

- c) **Cuando la hoja esté agarrotada o se interrumpa la operación de corte, apague la herramienta eléctrica y manténgala en posición inmóvil hasta que el disco se detenga por completo. No intente extraer el disco del corte mientras esté en funcionamiento, ya que de lo contrario podría producirse un contragolpe.** Investigue y tome las acciones correctoras para eliminar la causa del agarrotamiento del disco.
- d) **No reanude la operación de corte con la herramienta en la pieza de trabajo. Deje que el disco alcance la velocidad máxima y vuelva a introducirlo en el corte con cuidado.** Si la herramienta se vuelve a poner en marcha dentro de la pieza de trabajo, el disco podría doblarse, salirse o provocar un contragolpe.
- e) **Apoye los paneles y otras piezas de trabajo de tamaño excesivo para reducir el peligro de que el disco se atasque o se produzca un contragolpe.** Las piezas de trabajo grandes tienden a hundirse bajo su propio peso. Deben colocarse soportes bajo la pieza de trabajo a ambos lados, cerca de la línea de corte y del borde de la pieza de trabajo.
- f) **Tenga especial cuidado cuando realice un "corte de inmersión" en paredes u otras áreas ciegas.** Al salir por el otro lado, el disco podría cortar un tubo de gas o de agua, un cable eléctrico u otro objeto que podría provocar un contragolpe.

#### **Advertencias de seguridad específicas para operaciones de lijado:**

- a) **No utilice papel de lija de tamaño excesivo para el disco. Seleccione el papel de lija conforme a las recomendaciones del fabricante.** El exceso de papel de lija que sobresale del plato lijador supone un peligro de desgarrar y puede provocar que el disco se enganche o se rompa o que se produzca un contragolpe.

#### **Advertencias de seguridad específicas para las operaciones de cepillado con alambre:**

- a) **Tenga en cuenta que el cepillo despide cerdas de alambre incluso durante las operaciones más comunes. No sobrecargue los alambres aplicando una fuerza excesiva al cepillo.** Los alambres pueden penetrar con facilidad a través de una prenda delgada y / o la piel.
- b) **Si se recomienda utilizar un protector durante las operaciones de cepillado, impida que el disco o cepillo de alambre interfiera en el protector.** El diámetro del disco o cepillo de alambre puede aumentar a causa de la carga de trabajo y las fuerzas centrífugas.

#### **Advertencias de seguridad adicionales:**

16. **Cuando utilice discos de esmerilar con el centro hundido, asegúrese de emplear solamente discos reforzados con fibra de vidrio.**
17. **NUNCA UTILICE discos de copa para piedra con esta esmeriladora.** Esta esmeriladora no se ha diseñado para este tipo de discos y su uso puede provocar graves lesiones corporales.

18. Tenga cuidado de no dañar el husillo, la brida (especialmente la superficie de instalación) ni la contratuerca. Si se dañan estas piezas, el disco podría romperse.
19. Asegúrese de que el disco no esté tocando la pieza de trabajo antes de activar el interruptor.
20. Antes de utilizar la herramienta en la pieza de trabajo definitiva, déjala funcionar durante un rato. Esté atento por si se producen vibraciones u oscilaciones, lo que indicaría que el disco no se ha instalado correctamente o que está mal equilibrado.
21. Para realizar las tareas de esmerilado, use la superficie del disco especificada.
22. No deje la herramienta encendida. Póngala en marcha solamente cuando la tenga en las manos.
23. No toque la pieza de trabajo inmediatamente después de la tarea, ya que puede estar extremadamente caliente y producir quemaduras en la piel.
24. Observe las instrucciones del fabricante para montar y utilizar correctamente los discos. Maneje y guarde con cuidado los discos.
25. No utilice bujes de reducción ni adaptadores separados para adaptar discos abrasivos de orificio grande.
26. Utilice solo las bridas especificadas para esta herramienta.
27. En herramientas que vayan a ser utilizadas con discos de orificio roscado, asegúrese de que la rosca del disco sea lo suficientemente larga como para acomodar la longitud del eje.
28. Compruebe que la pieza de trabajo esté bien sujeta.
29. Tenga en cuenta que el disco continuará girando después de haber apagado la herramienta.
30. Si el lugar de trabajo es muy caluroso y húmedo, o si está muy contaminado con polvo conductor, utilice un disyuntor de cortocircuito (30 mA) para garantizar la seguridad del operario.
31. No utilice la herramienta con ningún material que contenga amianto.
32. Cuando utilice un disco de cortar, trabaje siempre con el protector de disco colector de polvo requerido por el reglamento de su país o región.
33. Los discos de cortar no deben ser sometidos a ninguna presión lateral.
34. No utilice guantes de tela durante las operaciones. Las fibras de los guantes de tela pueden introducirse en la herramienta, lo que puede provocar la rotura de la herramienta.

## GUARDE ESTAS INSTRUCCIONES.

**⚠ ADVERTENCIA:**  
**NO** deje que la comodidad o la familiaridad con el producto (a base de utilizarlo repetidamente) sustituya la estricta observancia de las normas de seguridad del producto en cuestión. El **MAL USO** o la no observancia de las normas de seguridad expuestas en este manual de instrucciones pueden ocasionar graves daños corporales.

## INSTRUCCIONES DE SEGURIDAD IMPORTANTES PARA EL CARTUCHO DE BATERÍA

ENC007-12

1. Antes de utilizar el cartucho de la batería, lea todas las instrucciones y referencias de precaución que se encuentran en (1) el cargador de baterías, (2) la batería y (3) el producto que utiliza la batería.
2. No desmonte el cartucho de la batería.
3. Si el tiempo de funcionamiento es excesivamente corto, deje de utilizar la herramienta de inmediato. De lo contrario, existe el riesgo de sobrecalentamiento, quemaduras e incluso explosión.
4. Si se produce contacto ocular con electrolito, enjuáguese los ojos con agua limpia y acuda de urgencia al médico. Corre el riesgo de perder la visión.
5. No cortocircuite el cartucho de la batería:
  - (1) No toque los terminales con material conductor.
  - (2) Evite guardar el cartucho de la batería en un recipiente con otros objetos metálicos, como clavos, monedas, etc.
  - (3) No exponga el cartucho de la batería al agua o a la lluvia.

Un cortocircuito puede provocar un elevado flujo de corriente, sobrecalentamiento, quemaduras o incluso una avería.
6. No almacene la herramienta ni el cartucho de la batería en lugares donde la temperatura supere los 50 °C (122 °F).
7. No queme el cartucho de la batería aunque esté gravemente dañado o completamente gastado. El cartucho de la batería puede explotar si entra en contacto con fuego.
8. Procure que la batería no sufra golpes ni caídas.
9. No utilice una batería dañada.
10. Las baterías de litio-ion contenidas están sujetas a los requisitos de la Legislación para Materiales Peligrosos.
 

Para transportes comerciales, p.ej., por terceras personas y agentes de transportes, se deberán observar requisitos especiales para el empaquetado y etiquetado.

Para la preparación del artículo que se va a enviar, se requiere consultar con un experto en materiales peligrosos. Por favor, observe también la posibilidad de reglamentos nacionales más detallados.

Cubra con cinta aislante o enmascare los contactos expuestos y empaquete la batería de tal manera que no se pueda mover alrededor dentro del embalaje.
11. Siga las normativas locales relativas al desecho de la batería.
12. Utilice las baterías solo con los productos especificados por Makita. La instalación de las baterías en productos no compatibles puede provocar un incendio, un calor excesivo, una explosión o fuga de electrolitos.

## GUARDE ESTAS INSTRUCCIONES.

**⚠ PRECAUCIÓN: Utilice solamente baterías genuinas de Makita.**

La utilización de baterías no genuinas de Makita, o baterías que han sido alteradas, puede resultar en una explosión de la batería ocasionando incendios, heridas personales y daños. También anulará la garantía de Makita para la herramienta y el cargador de Makita.

## Consejos para conseguir una mayor duración de la batería

1. **Cargue la batería antes de que se descargue por completo.**  
Cuando observe que la herramienta tiene menos potencia, deje de utilizarla y cargue el cartucho de la batería.
2. **No recargue nunca un cartucho de batería completamente cargado.**  
La sobrecarga acorta la vida útil de la batería.
3. **Cargue el cartucho de la batería a una temperatura ambiente que oscile entre 10 °C y 40 °C (50 °F - 104 °F).** Antes de cargar un cartucho de batería caliente, deje que se enfríe.
4. **Cargue el cartucho de la batería si no lo ha utilizado durante un periodo prolongado (más de seis meses).**

## DESCRIPCIÓN DEL FUNCIONAMIENTO

**⚠ PRECAUCIÓN:**

- Antes de ajustar o comprobar la herramienta, asegúrese siempre de que esté apagada y de que el cartucho de la batería se haya extraído.

### Instalación o extracción del cartucho de la batería (Fig. 1)

**⚠ PRECAUCIÓN:**

- Apague siempre la herramienta antes de instalar o extraer el cartucho de la batería.
- **Sujete la herramienta y el cartucho de la batería firmemente cuando instale o extraiga el cartucho de la batería.** Si no sujeta la herramienta y el cartucho de la batería firmemente, pueden resbalar de sus manos y se pueden provocar daños en la herramienta y el cartucho de la batería y lesiones personales.

Para quitar el cartucho de la batería, mantenga pulsado el botón de la parte frontal del cartucho y retírelo.

Para instalar el cartucho de la batería, alinee la lengüeta situada en el cartucho de la batería con la ranura del chasis e insértelo. Insértelo completamente hasta que quede firmemente encajado con un clic. Si puede ver el indicador rojo de la zona superior del botón, significa que el cartucho no está encajado completamente.

**⚠ PRECAUCIÓN:**

- Instale siempre completamente el cartucho de la batería de forma que el indicador rojo quede oculto. De lo contrario, el cartucho puede desprenderse accidentalmente de la herramienta y causar lesiones al operario o a alguna persona que se encuentre cerca.
- No presione excesivamente el cartucho de la batería para instalarlo. Si el cartucho no entra con suavidad, significa que no lo está instalando correctamente.

## Acción del interruptor

**⚠ PRECAUCIÓN:**

- Antes de instalar el cartucho de la batería en la herramienta, asegúrese siempre de que el interruptor deslizante funcione como es debido y que vuelva a la posición "OFF" (Apagado) al ejercer presión sobre la parte posterior del interruptor deslizante.
- El interruptor se puede bloquear en la posición "ON" (Encendido) para aumentar la comodidad del operario durante el uso prolongado. Tenga cuidado cuando bloquee la herramienta en la posición "ON" (Encendido) y sujete la herramienta firmemente.

Para poner la herramienta en marcha, deslice el interruptor deslizante hasta la posición "I (Encendido)" ejerciendo presión sobre la parte posterior del interruptor deslizante. Para un uso continuo, presione la parte delantera del interruptor deslizante para bloquearlo. Para detener la herramienta, presione la parte posterior del interruptor deslizante y, a continuación, deslícelo hacia la posición "O (Apagado)". (Fig. 2)

## Función de prevención de puesta en marcha accidental

Aunque el cartucho de la batería se instale en la herramienta con el interruptor deslizante en la posición "I (Encendido)", la herramienta no se pone en marcha. Para poner en marcha la herramienta, primero debe deslizar el interruptor deslizante hasta la posición "O (Apagado)" y después debe deslizarlo hasta la posición "I (Encendido)".

## Función de control de par electrónico

La herramienta detecta electrónicamente situaciones en las que el disco o el accesorio puede estar en riesgo de quedar atrapado. En esa situación, la herramienta se apaga automáticamente para evitar la rotación del eje (no evita el contragolpe).

Para reiniciar la herramienta, apague la herramienta primero, elimine la causa de la repentina bajada de velocidad de rotación y, a continuación, encienda la herramienta.

## Indicación de la capacidad restante de la batería

### ***Solamente para cartuchos de batería con el indicador (Fig. 3)***

Pulse el botón de comprobación del cartucho de la batería para indicar la capacidad restante de la batería. Las luces indicadoras se encienden durante unos segundos.



Luces indicadoras			Capacidad restante
Iluminada	Apagado	Parpadea	
			75% a 100%
			50% a 75%
			25% a 50%
			0% a 25%
			Cargue la batería.
			Es posible que la batería se haya averiado.

015658

#### NOTA:

- En función de las condiciones de uso y de la temperatura ambiente, la indicación puede diferir ligeramente de la capacidad real.

### Indicación de la capacidad restante de la batería

(Específico de cada país) (Fig. 4)

Cuando encienda la herramienta, el indicador de la batería mostrará la capacidad de la batería restante. La capacidad de la batería restante se mostrará como en la siguiente tabla.

Estado del indicador de la batería			Capacidad restante de la batería
: Encendido	: Apagado	: Parpadea	
			50% - 100%
			20% - 50%
			0% - 20%
			Carga de la batería

015096

### Función de cambio de velocidad automático (Fig. 5)

Estado del indicador de modo	Modo de utilización
	Modo de alta velocidad
	Modo de alto par

015098

Esta herramienta tiene un “modo de alta velocidad” y un “modo de alto par”. Cambia automáticamente de modo de utilización en función de la carga de trabajo. Cuando el indicador de modo se enciende durante la utilización, la herramienta está en modo de alto par.

### Sistema de protección de la herramienta/batería

La herramienta está equipada con un sistema de protección de la herramienta/batería. Este sistema corta automáticamente la alimentación al motor para ampliar la duración de la herramienta y la batería.

El funcionamiento de la herramienta se detendrá automáticamente si la herramienta o la batería están sometidas a las siguientes condiciones. En algunas condiciones, el indicador se enciende.

#### Protección contra la sobrecarga

Cuando la herramienta se utilice de una forma que haga que consuma una cantidad anormalmente alta de corriente, la herramienta se detendrá automáticamente sin indicaciones. En ese caso, apague la herramienta y detenga la aplicación que hizo que la herramienta se sobrecargara. A continuación, encienda la herramienta para reiniciar las operaciones.

#### Protección contra el sobrecalentamiento de la herramienta

Cuando la herramienta se sobrecaliente, la herramienta se detendrá automáticamente y el indicador de la batería mostrará el siguiente estado. En ese caso, deje que la herramienta se enfríe antes de volver a encenderla.

Indicador de la batería	: Encendido	: Apagado	: Parpadea
	La herramienta se ha sobrecalentado		

015140

#### Desactivación del bloqueo de protección

Cuando el sistema de protección se activa repetidamente, la herramienta se bloquea y el indicador de la batería muestra el siguiente estado.

Indicador de la batería	: Encendido	: Apagado	: Parpadea
	El bloqueo de protección está activado		

015200

En esta situación, la herramienta no se pone en marcha aunque se apague y se encienda. Para desactivar el bloqueo de protección, retire la batería, colóquela en el cargador de baterías y espere hasta que la carga finalice.

## Bloqueo del eje

### PRECAUCIÓN:

- No accione nunca el bloqueo del eje cuando el eje se esté moviendo, ya que, de lo contrario, la herramienta podría averiarse.

Al instalar o extraer los accesorios, presione el bloqueo del eje para evitar que gire. (Fig. 6)

## MONTAJE

### PRECAUCIÓN:

- Asegúrese siempre de apagar la herramienta y extraer el cartucho de la batería antes de intentar realizar cualquier tipo de operación en la herramienta.

## Instalación de la empuñadura lateral (mango)

### PRECAUCIÓN:

- Antes de utilizar la herramienta, asegúrese siempre de que la empuñadura lateral está instalada firmemente.

Atornille con firmeza la empuñadura lateral en la herramienta, tal como se muestra en la figura. (Fig. 7)

## Instalación o extracción del protector de disco (para disco de centro hundido, multidisco/disco de corte abrasivo, disco de diamante)

### ADVERTENCIA:

- Cuando utilice un disco de esmerilar de centro hundido/multidisco, un disco flexible, un cepillo de disco de alambre, un disco de corte o un disco de diamante, debe montarse en la herramienta el protector de disco de forma que el lado cerrado del protector siempre apunte hacia el operario.
- Cuando utilice un disco de corte abrasivo/disco de diamante, utilice exclusivamente el protector de disco especial diseñado para los discos de corte. (En algunos países europeos, cuando se utilice un disco de diamante, se podrá utilizar la protección normal. Siga la normativa de su país.)

## Para herramientas con protector de disco de tipo de palanca de bloqueo

Afloje la palanca del protector de disco tras aflojar el tornillo. Monte el protector de disco de forma que la protuberancia de la cinta del protector de disco quede alineada con la muesca del alojamiento de cojinetes. A continuación, gire el protector de disco hasta un ángulo en el que pueda proteger al operario mientras realiza el trabajo. (Fig. 8)

Apriete la palanca para fijar el protector de disco. Si la palanca está demasiado apretada o demasiado floja para sujetar el protector de disco, afloje o apriete el tornillo para ajustar el apriete de la cinta del protector de disco. (Fig. 9)

Para extraer el protector de disco, siga el procedimiento de instalación en orden inverso.

## Para herramientas con protector de disco de tipo de tornillo de bloqueo (Fig. 10)

Monte el protector de disco de forma que las protuberancias de la cinta del protector de disco queden alineadas con las muescas del alojamiento de cojinetes. Acto seguido, gire el protector de disco 180° en el sentido contrario a las agujas del reloj. Asegúrese de que el tornillo esté bien apretado.

Para extraer el protector de disco, siga el procedimiento de instalación en orden inverso.

## Montaje o extracción del disco de centro hundido o el disco de láminas (acesorio opcional)

### ADVERTENCIA:

- Cuando utilice un disco de centro hundido o un disco de láminas, debe montarse en la herramienta el protector de disco de forma que el lado cerrado del protector siempre apunte hacia el operario.
- Accione el bloqueo del eje solamente cuando el eje no se esté moviendo.

Monte la brida interior en el eje. Encaje el disco en la brida interior y enrosque la contratuerca en el eje. (Fig. 11)

Para apretar la contratuerca, ejerza presión sobre el bloqueo del eje para que el eje no pueda girar, y utilice la llave de contratuerca para ajustarla con firmeza en el sentido de las agujas del reloj. (Fig. 12)

Para extraer el disco, siga el procedimiento de instalación en orden inverso.

## Montaje o extracción de Ezynut (acesorio opcional)

### PRECAUCIÓN:

- No utilice Ezynut con la brida superior o la esmeriladora angular con "F" al final del n.º de modelo. Esas bridas son tan gruesas que el eje no puede retener toda la rosca.

Monte la brida interior, el disco abrasivo y Ezynut en el eje de forma que el logotipo de Makita de Ezynut mire hacia fuera. (Fig. 13)

Presione el bloqueo del eje firmemente y apriete Ezynut girando el disco abrasivo en el sentido de las agujas del reloj lo máximo posible.

Gire la anilla exterior de Ezynut en el sentido contrario a las agujas del reloj para aflojarlo. (Fig. 14)

### NOTA:

- Ezynut se puede aflojar a mano mientras la flecha apunte a la muesca. De lo contrario, se necesita una llave de contratuerca para aflojarla. Inserte una clavija de la llave en un orificio y gire Ezynut en el sentido contrario a las agujas del reloj. (Fig. 15 y 16)

## Instalación o desmontaje de un disco flexible

### Accesorios opcionales

### ADVERTENCIA:

- Utilice siempre el protector suministrado cuando haya un disco flexible en la herramienta. El disco puede desintegrarse durante la utilización y el

protector ayuda a reducir las posibilidades de que se produzcan heridas personales. (Fig. 17)

Siga las instrucciones para muela de centro hundido pero también utilice un plato de respaldo sobre la muela. Vea el orden de montaje en la página de accesorios de este manual.

## Montaje o extracción del disco abrasivo (accesorio opcional) (Fig. 18)

Monte el plato de goma en el eje. Encaje el disco en el plato de goma y enrosque la contratuerca en el eje. Para apretar la contratuerca, ejerza presión sobre el bloqueo del eje para que el eje no pueda girar, y utilice la llave de contratuerca para ajustarla con firmeza en el sentido de las agujas del reloj.

Para extraer el disco, siga el procedimiento de instalación en orden inverso.

### NOTA:

- Utilice solamente los accesorios de pulido especificados en este manual. Se deben comprar por separado.

## FUNCIONAMIENTO

### ⚠ ADVERTENCIA:

- No deberá ser nunca necesario forzar la herramienta. El peso de la herramienta ya aplica la presión adecuada. Si la fuerza y ejerce una presión excesiva, podría romperse el disco con el peligro que eso conlleva.
- Reemplace el disco SIEMPRE si se cae la herramienta durante el esmerilado.
- No golpee NUNCA el disco de esmerilar u otros discos contra la pieza de trabajo.
- Evite que el disco rebote o se enganche, especialmente cuando trabaje en esquinas, bordes afilados, etc. Podría ocasionar la pérdida del control y contragolpes.
- No utilice NUNCA esta herramienta con discos para cortar madera ni otros discos de sierra. Con estos discos, la esmeriladora podría rebotar con fuerza y causarle lesiones.

### ⚠ PRECAUCIÓN:

- No encienda nunca la herramienta cuando esté en contacto con la pieza de trabajo, ya que podría ocasionar heridas al operario.
- Póngase siempre gafas de seguridad o una careta protectora cuando utilice la herramienta.
- Después de finalizar la tarea, apague siempre la herramienta y espere hasta que el disco se haya detenido completamente antes de dejar la herramienta.

## Operación de esmerilado y lijado (Fig. 19)

Sujete SIEMPRE la herramienta firmemente con una mano en el cuerpo de la herramienta y otra mano en la empuñadura lateral. Enciéndala y aplique el disco a la pieza de trabajo.

Normalmente, mantenga el borde del disco en un ángulo de unos 15 grados con respecto a la superficie de la pieza de trabajo.

Durante el período de funcionamiento inicial con un disco nuevo, no haga funcionar la esmeriladora en la dirección

B porque cortarían la pieza de trabajo. Una vez que se haya redondeado el borde del disco, ya podrá utilizarlo en las direcciones A y B.

## Operación con muela de corte abrasivo/ muela de diamante

### Accesorios opcionales

### ⚠ ADVERTENCIA:

- **Cuando utilice una muela de corte abrasivo/muela de diamante, asegúrese de utilizar solamente el protector de muela especial diseñado para usar con muelas de corte.**  
(En algunos países europeos, cuando utilice una muela de diamante, podrá utilizar el protector ordinario. Siga los reglamentos de su país.)
- **No utilice NUNCA una muela de corte para esmerilar lateralmente.**
- **No “atasque” la muela o aplique presión excesiva. No intente hacer un corte de excesiva profundidad.** Si fatiga en exceso la muela aumentará la carga y la susceptibilidad de retorcer o doblar la muela en el corte y la posibilidad de que se produzca un retroceso brusco, rotura de la muela y recalentamiento del motor.
- **No comience la operación de corte en la pieza de trabajo. Deje que la muela alcance plena velocidad y entre con cuidado en el corte moviendo la herramienta hacia adelante sobre la superficie de la pieza de trabajo.** Si pone en marcha la herramienta eléctrica en la pieza de trabajo, la muela podrá estancarse, saltar o retroceder bruscamente.
- **Durante las operaciones de corte, no cambie nunca el ángulo de la muela.** La aplicación de presión lateral en la muela de corte (al igual que en el esmerilado) hará que la muela se agriete y se rompa, ocasionando graves heridas personales.
- **Una muela de diamante deberá ser utilizada perpendicularmente al material que se esté cortando. (Fig. 20)**

En cuanto a la instalación, siga las instrucciones para la muela de centro hundido.

**La dirección para montar la contratuerca y la brida interior varía según el tipo y grosor de la muela.**

Consulte las figuras siguientes.

## Para el modelo de 100 mm

**Cuando se instala la muela de corte abrasivo: (Fig. 21)**

**Cuando se instala la muela de diamante: (Fig. 22)**

## Para el modelo de 115 mm/125 mm

**Cuando se instala la muela de corte abrasivo: (Fig. 23)**

**Cuando se instala la muela de diamante: (Fig. 24)**

## Operaciones con el disco con cepillo de copa de alambre (accesorio opcional)

### ⚠ PRECAUCIÓN:

- Compruebe el funcionamiento del cepillo haciendo funcionar la herramienta sin carga, asegurándose de que no haya nadie delante o en línea con el cepillo.

- No utilice un cepillo que esté dañado o que no esté equilibrado. El uso de un cepillo dañado puede aumentar la posibilidad de lesiones por contacto con alambres del cepillo rotos.

Retire el cartucho de la batería de la herramienta y colóquelo boca arriba para permitir un acceso sencillo al eje. Retire cualquier accesorio del eje. Enrosque el cepillo de copa de alambre en el eje y apriételo con la llave proporcionada. Cuando utilice el cepillo, no ejerza demasiada presión, ya que provocaría que se doblaran los alambres, lo que conduciría a una rotura prematura. (Fig. 25)

## Operaciones con el cepillo de disco de alambre (accesorio opcional)

### PRECAUCIÓN:

- Compruebe el funcionamiento del cepillo de disco de alambre haciendo funcionar la herramienta sin carga, asegurándose de que no haya nadie delante o en línea con el cepillo de disco de alambre.
- No utilice un cepillo de disco de alambre que esté dañado o que no esté equilibrado. El uso de un cepillo de disco de alambre dañado puede aumentar la posibilidad de lesiones por contacto con alambres rotos.
- Utilice SIEMPRE el protector de disco con cepillos de disco de alambre, asegurándose de que el diámetro del disco encaje dentro del protector. El disco puede romperse durante el uso y el protector ayuda a reducir las posibilidades de lesiones personales.

Retire el cartucho de la batería de la herramienta y colóquelo boca arriba para permitir un acceso sencillo al eje. Retire cualquier accesorio del eje. Monte el cepillo de disco de alambre de en el eje y apriételo con las llaves. (Fig. 26)

Cuando utilice el cepillo de disco de alambre, no ejerza demasiada presión, ya que provocaría que se doblaran los alambres, lo que conduciría a una rotura prematura.

## MANTENIMIENTO

### PRECAUCIÓN:

- Asegúrese de apagar siempre la herramienta y extraer el cartucho de la batería antes de intentar realizar cualquier trabajo de inspección o mantenimiento en ella.
- Nunca utilice gasolina, benceno, disolvente, alcohol o un producto similar. Se puede provocar una decoloración, una deformación o grietas.

La herramienta y los orificios de ventilación deben mantenerse siempre limpios. Limpie los orificios de ventilación periódicamente o siempre que perciba cualquier obstrucción. (Fig. 27)

Retire la cubierta antipolvo de la entrada de ventilación y límpiela para una circulación de aire fluida. (Fig. 28)

### NOTA:

- Limpie la cubierta antipolvo cuando esté obstruida con suciedad o cuerpos extraños. El uso continuado con una cubierta antipolvo obstruida puede dañar la herramienta.

Para mantener la SEGURIDAD y la FIABILIDAD del producto, las reparaciones y cualquier otra tarea de mantenimiento o ajuste deberán ser realizadas en centros

de servicio autorizados por Makita, utilizando siempre repuestos Makita.

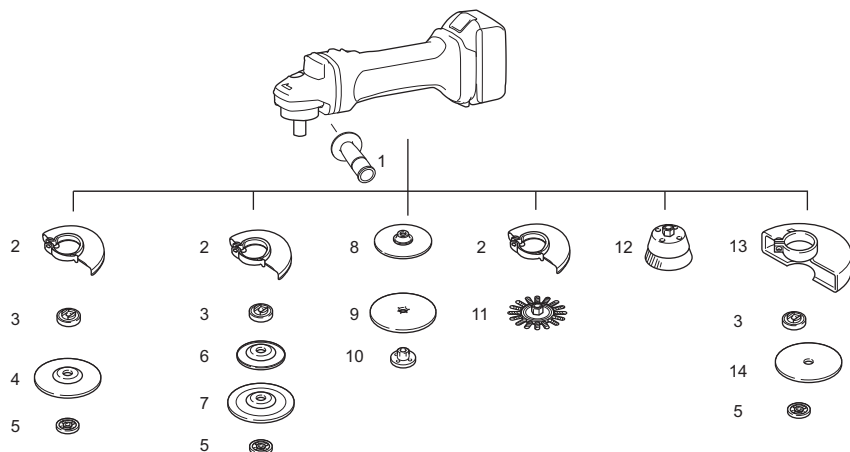
## ACCESORIOS OPCIONALES

### PRECAUCIÓN:

- Se recomienda el uso de estos accesorios o complementos con la herramienta Makita especificada en este manual. El uso de otros accesorios o complementos puede conllevar el riesgo de ocasionar daños corporales. Utilice los accesorios o complementos solamente para su fin establecido.

Si necesita cualquier ayuda para obtener más información relativa a estos accesorios, pregunte a su centro de servicio Makita local.

- Batería y cargador originales de Makita



	Modelo de 100 mm	Modelo de 115 mm	Modelo de 125 mm
1	Empuñadura de 36		
2	Protector de muela (para muela de esmerilar)		
3	Brida interior	Brida interior/Súper brida *1*2	Brida interior/Súper brida
4	Muela de centro hundido/disco flap		
5	Contratuercas	Contratuercas/tuerca Ezynut *1*2	Contratuercas/tuerca Ezynut *2
6	Plato de respaldo		
7	Disco flexible		
8	Plato de caucho de 76	Plato de caucho de 100	Plato de caucho de 115
9	Disco abrasivo		
10	Contratuercas para lijar		
11	Cepillo circular de alambres		
12	Cepillo de alambres en copa		
13	Protector de muela (para muela de corte) *3		
14	Muela de corte abrasivo/muela de diamante		
-	Llave de contratuerca		

- Nota:
- \*1 Solamente para herramientas con rosca de mandril de M14.
  - \*2 No utilice la Súper brida y la tuerca Ezynut juntas.
  - \*3 En algunos países europeos, cuando utilice una muela de diamante, podrá utilizar el protector ordinario en lugar del protector especial que cubre ambos lados de la muela. Siga los reglamentos de su país.

015100-2

**NOTA:**

- Algunos elementos de la lista se pueden incluir en el paquete de la herramienta como accesorios estándar. Pueden ser diferentes de un país a otro.

**Ruido**

ENG905-1

Niveles típicos de ruido ponderado A determinados conforme a EN60745:

**Modelo DGA404**

Nivel de presión sonora ( $L_{pA}$ ): 80 dB (A)  
 Nivel de potencia sonora ( $L_{WA}$ ): 91 dB (A)  
 Incertidumbre (K): 3 dB (A)

**Modelo DGA454, DGA504**

Nivel de presión sonora ( $L_{pA}$ ): 79 dB (A)  
 Incertidumbre (K): 3 dB (A)

El nivel de ruido durante el trabajo puede superar los 80 dB (A).

**Utilice protección para los oídos.**

## Vibración

ENG900-1

Valor total de la vibración (suma de vectores triaxiales) determinado según el estándar EN60745:

### Modelo DGA404

Modo de trabajo: esmerilado de superficies con empuñadura lateral normal

Emisión de vibraciones ( $a_{h,AG}$ ): 4,5 m/s<sup>2</sup>

Incertidumbre (K): 1,5 m/s<sup>2</sup>

Modo de trabajo: esmerilado de superficies con empuñadura lateral antivibración

Emisión de vibraciones ( $a_{h,AG}$ ): 4,0 m/s<sup>2</sup>

Incertidumbre (K): 1,5 m/s<sup>2</sup>

Modo de trabajo: lijado con disco

Emisión de vibraciones ( $a_{h,DS}$ ): 2,5 m/s<sup>2</sup> o menos

Incertidumbre (K): 1,5 m/s<sup>2</sup>

### Modelo DGA454, DGA504

Modo de trabajo: esmerilado de superficies con empuñadura lateral normal

Emisión de vibraciones ( $a_{h,AG}$ ): 6,5 m/s<sup>2</sup>

Incertidumbre (K): 1,5 m/s<sup>2</sup>

Modo de trabajo: esmerilado de superficies con empuñadura lateral antivibración

Emisión de vibraciones ( $a_{h,AG}$ ): 6,0 m/s<sup>2</sup>

Incertidumbre (K): 1,5 m/s<sup>2</sup>

Modo de trabajo: lijado con disco

Emisión de vibraciones ( $a_{h,DS}$ ): 2,5 m/s<sup>2</sup> o menos

Incertidumbre (K): 1,5 m/s<sup>2</sup>

ENG902-1

- El valor de emisión de vibraciones se ha medido de acuerdo con el método de prueba estándar y se puede utilizar para comparar herramientas.
- El valor de emisión de vibraciones declarado también se puede usar en una evaluación preliminar de la exposición.
- El valor de emisión de vibraciones declarado se usa para las aplicaciones principales de la herramienta eléctrica. No obstante, si se utiliza la herramienta eléctrica para otras aplicaciones, el valor de emisión de vibraciones puede ser diferente.

### ADVERTENCIA:

- La emisión de vibraciones durante el uso de la herramienta eléctrica puede diferir del valor de emisiones declarado, dependiendo de las formas en que se utiliza la herramienta.
- Asegúrese de identificar las mediciones correctas para proteger al operario, que se basan en una estimación de la exposición en condiciones de uso reales (teniendo en cuenta todas las partes del ciclo de operaciones, como los momentos en los que la herramienta está apagada y cuando funciona al ralentí además del tiempo en que está activado el interruptor).

### Declaración de conformidad de la CE

#### *Sólo para países europeos*

La Declaración de conformidad de la CE se incluye como Anexo A en este manual de instrucciones.

# PORTUGUÊS (Instruções de origem)

## Descrição geral

- |                           |  |   |
|---------------------------|--|---|
| 1. Botão                  | 16. Flange interior                          | 29. Resguardo do disco de corte abrasivo/disco diamantado |
| 2. Indicador vermelho     | 17. Chave da porca de bloqueio               | 30. Roda de corte abrasiva (espessura inferior a 4 mm)    |
| 3. Bateria                | 18. Ezynut                                   | 31. Roda de corte abrasiva (espessura de 4 mm ou mais)    |
| 4. Interruptor deslizando | 19. Disco abrasivo                           | 32. Roda diamantada (espessura inferior a 4 mm)           |
| 5. Lâmpadas indicadoras   | 20. Fuso                                     | 33. Roda diamantada (espessura de 4 mm ou mais)           |
| 6. Botão de verificação   | 21. Seta                                     | 34. Escova tipo taça                                      |
| 7. Indicador da bateria   | 22. Entalhe                                  | 35. Disco de escova de arame                              |
| 8. Indicador de modo      | 23. Disco flexível                           | 36. Ventilação de saída                                   |
| 9. Bloqueio do veio       | 24. Almofada de apoio                        | 37. Ventilação de entrada                                 |
| 10. Resguardo do disco    | 25. Porca de bloqueio de lixagem             | 38. Protecção para o pó                                   |
| 11. Caixa de rolamentos   | 26. Disco abrasivo                           |   |
| 12. Parafuso              | 27. Apoio de borracha                        |   |
| 13. Alavanca              | 28. Disco de corte abrasivo/disco diamantado |   |
| 14. Porca de bloqueio     |  |   |
| 15. Disco côncavo         |  |   |

## ESPECIFICAÇÕES

Modelo		DGA404	DGA454	DGA504
Diâmetro do disco		100 mm (4")	115 mm (4-1/2")	125 mm (5")
Espessura máxima do disco		6,4 mm (1/4")	6,4 mm (1/4")	6,4 mm (1/4")
Rosca do fuso		M10	M14 ou 5/8" (consoante o país)	
Velocidade nominal (n)/Velocidade sem carga (n <sub>0</sub> )		8.500 min <sup>-1</sup>		
Comprimento total	Com bateria BL1815N, BL1820, BL1820B	348 mm		
	Com bateria BL1830, BL1830B, BL1840, BL1840B, BL1850, BL1850B, BL1860B	362 mm		
Peso líquido	Com bateria BL1815N, BL1820, BL1820B	2,2 kg	2,3 kg	2,3 kg
	Com bateria BL1830, BL1830B, BL1840, BL1840B, BL1850, BL1850B, BL1860B	2,4 kg	2,5 kg	2,5 kg
Tensão nominal		C.C. 18 V		

- Devido à pesquisa e desenvolvimento constantes, estas especificações estão sujeitas a alteração sem aviso prévio.
- As especificações e o cartucho da bateria podem ser diferentes consoante o país.
- Peso, com a bateria, de acordo com o procedimento EPTA de 01/2003

### Utilização prevista

ENE048-1

A ferramenta destina-se a rectificar, lixar e cortar materiais em metal e pedra, sem a utilização de água.

## Avisos gerais de segurança para ferramentas eléctricas

GEA010-1

**⚠ AVISO** Leia todos os avisos de segurança e todas as instruções. O não cumprimento dos avisos e instruções pode resultar na ocorrência de choques eléctricos, incêndios e/ou ferimentos graves.

**Guarde todos os avisos e instruções para referência futura.**

## AVISOS DE SEGURANÇA PARA A ESMERILHADEIRA A BATERIA

GEB059-4

**Avisos de Segurança Comuns para Afilar, Lixar, Escovar com arame ou para Operações de corte abrasivas:**

1. **Esta ferramenta serve como esmerilhadeira, lixadora, escovadora com arame e cortador. Leia todos os avisos, instruções, ilustrações e especificações de segurança fornecidos juntamente com a ferramenta.** Caso não siga todas as instruções indicadas em baixo, poderão ocorrer choques eléctricos, incêndios e/ou ferimentos graves.
2. **As operações, tais como polir, não devem ser desempenhadas com esta ferramenta.** Operações para as quais a ferramenta não foi concebida podem criar perigos e causar ferimentos pessoais.
3. **Não utilize acessórios que não sejam especificamente concebidos e recomendados pelo fabricante da ferramenta.** Mesmo que o

acessório encaixe na ferramenta, isso não garante uma operação segura.

4. **A velocidade nominal do acessório deve ser no mínimo igual à velocidade máxima marcada na ferramenta.** Os acessórios a funcionar mais rapidamente do que a velocidade nominal podem quebrar e sair projectados.
5. **O diâmetro exterior e a espessura do acessório deve estar dentro da capacidade nominal da ferramenta.** Os acessórios com tamanhos incorrectos não podem ser guardados ou controlados adequadamente.
6. **A montagem rosçada de acessórios tem de corresponder à rosca do veio da esmerilhadeira. Para acessórios montados por flanges, o orifício de alojamento do acessório tem de corresponder ao diâmetro da flange.** Os acessórios que não correspondem ao hardware de instalação da ferramenta perderão o equilíbrio, vibrarão excessivamente e podem causar perda de controlo.
7. **Não utilize um acessório danificado. Antes de cada utilização, inspeccione sempre o acessório, em busca de fissuras e fendas nos discos abrasivos, fendas, desgaste ou uso excessivo nos discos de apoio e arames partidos ou soltos na escova de arame. Se a ferramenta ou acessório cair, inspeccione para a existência de danos ou instale um acessório não danificado. Depois de inspeccionar e instalar um acessório, afaste-se e afaste outras pessoas na proximidade do plano do acessório rotativo e ligue a ferramenta eléctrica na velocidade máxima sem carga durante um minuto.** Normalmente, os acessórios danificados partem-se durante este teste.
8. **Use equipamento pessoal de protecção. Consoante a aplicação, use protecção para a cara ou óculos de segurança. Use máscara de pó, protectores auditivos, luvas e avental adequados, capazes de parar pequenos fragmentos abrasivos ou da peça de trabalho.** A protecção dos olhos deve ser capaz de parar detritos projectados gerados por várias utilizações. A máscara de pó ou respirador deve conseguir filtrar partículas geradas pela operação que estiver a efectuar. Uma exposição prolongada a ruído de alta intensidade pode causar perda de audição.
9. **Mantenha as pessoas presentes a uma distância segura da área de trabalho. Qualquer pessoa que entre na área de trabalho deve usar equipamento pessoal de protecção.** Os fragmentos da peça de trabalho ou de um acessório partido podem ser projectados e causar ferimentos para além da área imediata da operação.
10. **Quando executar operações em que a máquina de corte possa entrar em contacto com fios eléctricos ocultos, tenha o cuidado de tocar apenas nas superfícies isoladas da máquina.** Se entrar em contacto com um cabo sob tensão, as partes metálicas expostas da ferramenta eléctrica podem ficar igualmente sob tensão, podendo provocar um choque eléctrico no operador.
11. **Nunca pouse a ferramenta antes do acessório parar por completo.** O acessório rotativo pode

apanhar a superfície e fazê-lo perder o controlo da ferramenta.

12. **Não ligue a ferramenta eléctrica enquanto a transporta perto do corpo.** O contacto accidental com o acessório rotativo pode arrancar a sua roupa, puxando o acessório para o corpo.
13. **Limpe regularmente as aberturas de ventilação da ferramenta.** A ventoinha do motor atrairá o pó para dentro da caixa e acumulação excessiva de metal em pó pode causar perigos eléctricos.
14. **Não utilize a ferramenta perto de materiais inflamáveis.** As faíscas podem acender esses materiais.
15. **Não utilize acessórios que requeiram arrefecedores líquidos.** Usar água ou outro líquido arrefecedor poderá resultar em electrocussão ou choque.

### Recuos e Avisos Relacionados

Um recuo é uma reacção repentina a um disco rotativo, disco de apoio, escova ou outro qualquer acessório encravado ou movimentado bruscamente. Pressionar ou mover bruscamente causa um rápido bloqueio do acessório rotativo, o que por sua vez faz com que a ferramenta descontrolada seja forçada na direcção oposta à da rotação do acessório ao ponto de empeno. Por exemplo, se um disco abrasivo for movimentado bruscamente ou encravado pela peça de trabalho, a ponta do disco que está entrar no ponto de encravamento pode perfurar a superfície do material, fazendo com que o disco salte fora ou ressalte. O disco pode saltar em direcção ao operador ou na direcção oposta, consoante o movimento no ponto de perfuração. Os discos abrasivos podem também quebrar nestas condições. O recuo é o resultado de uma má utilização da ferramenta e/ou procedimentos de funcionamento incorrectos e pode ser evitado tomando as devidas precauções, tal como indicado em baixo.

- a) **Segure firmemente na ferramenta e posicione o corpo e o braço de forma a resistir às forças do recuo. Se fornecida, utilize sempre uma pega auxiliar para um controlo máximo sobre o recuo ou reacção de força durante o início.** Se tomar medidas de precaução adequadas, o operador pode controlar as reacções de força ou de recuo.
- b) **Nunca posicione a mão perto do acessório rotativo.** O acessório pode recuar sobre a sua mão.
- c) **Não posicione o corpo na área para onde a ferramenta se moverá se ocorrer um recuo.** O recuo projectará a ferramenta na direcção oposta ao movimento do disco, no ponto de movimento brusco.
- d) **Tenha especial atenção ao trabalhar cantos, extremidades afiadas, etc. Evite fazer ressaltar e movimentar bruscamente o acessório.** Os cantos, extremidades afiadas ou ressaltos têm uma tendência de movimentar bruscamente o acessório rotativo e causam perda de controlo ou recuo.
- e) **Não colocar uma serra de cortar madeira ou uma serra dentada.** Tais lâminas criam recuos frequentes e perda de controlo.

### Avisos de Segurança Específicos para Operações de Cortes Abrasivos e Afiar:

- a) **Use apenas tipos de discos que são recomendados para a ferramenta e a protecção**



**específica concebida para o disco seleccionado.**

Discos para os quais a ferramenta não foi concebida não podem ser protegidos e não são seguros.

**b) A superfície de afiar dos discos côncavos tem de ser montada abaixo do bordo da protecção.**

Um disco montado incorrectamente que sobressai do plano do bordo da protecção não pode ser protegido correctamente.

**c) A protecção deve estar encaixada de forma segura à ferramenta e posicionada para segurança máxima, para que o disco esteja minimamente exposto na direcção do operador.** A protecção ajuda a proteger o operador de fragmentos partidos do disco, contacto accidental com o disco e faíscas que podem incendiar a roupa.

**d) Os discos devem ser usados apenas para as aplicações recomendadas. Por exemplo: não afie com o lado da roda de corte.** As rodas de corte abrasivas destinam-se a afiamento periférico e as forças laterais aplicadas a estas rodas podem fazer com que as mesmas se partam.

**e) Use sempre flanges de discos não danificadas de tamanho e forma certos para o disco escolhido.** Flanges de rodas adequadas apoiam a roda, reduzindo assim a possibilidade da roda partir. As flanges para os discos de corte podem ser diferentes das flanges dos discos de afiar.

**f) Não usar discos desgastados de ferramentas maiores.** Um disco destinado a ferramentas maiores não é apropriado à velocidade superior de uma ferramenta mais pequena, podendo rebentar.

**Avisos de Segurança Específicos Adicionais para as Operações de Cortes Abrasivos:**

**a) Não “encravar” o disco de corte ou aplicar pressão excessiva. Não tentar fazer um corte de profundidade excessiva.** Esforçar o disco aumenta o pressão e a susceptibilidade de girar ou empenar do disco no corte e a possibilidade de recuo ou do disco partir.

**b) Não posicione o corpo alinhado e atrás do disco rotativo.** Quando o disco, aquando da utilização, está movimentar-se na direcção oposta do seu corpo, o recuo possível pode projectar o disco giratório e a ferramenta na sua direcção.

**c) Quando o disco está a empenar ou quando interrompe um corte por qualquer razão, desligue a ferramenta e segure-a estaticamente até o disco parar por completo. Nunca tente remover o disco do corte enquanto o disco está em movimento, caso contrário pode ocorrer um recuo.** Investigue e tome acções correctivas para eliminar a causa do empeno da lâmina.

**d) Não recomece a operação de corte na peça de trabalho. Deixe o disco atingir a velocidade máxima e reentre cuidadosamente no corte.** O disco pode empenar, subir ou recuar se a ferramenta for reiniciada na peça de trabalho.

**e) Para minimizar o risco de recuo e de encravamento do disco, apoie convenientemente painéis ou qualquer peça de trabalho de grandes dimensões.** Peças de trabalho de grandes dimensões tendem a abater sob o seu próprio peso. Os suportes devem ser colocados debaixo da peça de trabalho em ambos os lados do disco, perto da

linha de corte e perto da margem da extremidade da peça de trabalho.

**f) Utilize um cuidado adicional quando fizer um “corte a fundo” em paredes existentes ou outras zonas cegas.** O disco saliente pode cortar canos de gás e água, fios eléctricos ou objectos que podem causar um recuo.

**Avisos de Segurança Específicos para Operações de Lixar:**

**a) Não usar lixas excessivamente grandes. Siga as recomendações do fabricante, quando escolher a lixa.** Lixas maiores que o apoio de lixar representam um perigo de laceração e podem causar movimentos bruscos, destruição do disco ou recuo.

**Avisos Específicos para Operações de Escovar com Arames:**

**a) Tenha consciência de que fragmentos de arame são atirados pela escova, mesmo durante as operações normais. Não esforce os arames ao aplicar carga excessiva na escova.** Os fragmentos dos arames podem facilmente penetrar na roupa leve e/ou pele.

**b) Se o uso de protecção é recomendado para escovar arames, não permita interferência do disco de arame ou escova com a protecção.** Disco ou escova de arame pode expandir em diâmetro devido à carga de trabalho e forças centrífugas.

**Avisos de segurança adicionais:**

- 16. Quando utilizar os discos de lixar centrais com reentrância, certifique-se de que utiliza apenas discos reforçados com fibra de vidro.**
- 17. NUNCA UTILIZE discos tipo taça de pedra com esta esmerilhadeira.** Esta esmerilhadeira não se destina a estes tipos de discos e a utilização de tal produto pode resultar em ferimentos pessoais graves.
- 18. Não danifique o veio, a flange (especialmente a superfície de instalação) ou a porca de bloqueio.** Os danos nestas peças podem resultar em quebra dos discos.
- 19. Certifique-se de que o disco não está em contacto com a peça de trabalho antes de ligar o interruptor.**
- 20. Antes de utilizar a ferramenta numa peça de trabalho, deixe-a a trabalhar durante algum tempo. Procure a existência de vibrações ou oscilações que possam indicar uma má fixação ou um disco mal equilibrado.**
- 21. Utilize a superfície especificada do disco para afiar.**
- 22. Não abandone a ferramenta a funcionar. Ponha-a a funcionar apenas quando estiver a segurá-la.**
- 23. Não toque na peça de trabalho logo após a operação, uma vez que pode estar demasiado quente e provocar queimaduras.**
- 24. Cumpra as instruções do fabricante sobre a instalação e utilização correctas dos discos. Manuseie e guarde os discos com cuidado.**
- 25. Não utilize casquilhos de redução separados ou adaptadores para adaptar discos abrasivos com orifícios de grandes dimensões.**
- 26. Utilize apenas as flanges especificadas para esta ferramenta.**

27. Para ferramentas que sejam instaladas com o disco de orifício roscado, certifique-se de que a rosca no disco é suficientemente longa para aceitar o comprimento do fuso.
28. Verifique se a peça de trabalho está bem suportada.
29. Tome atenção uma vez que o disco continua a rodar após a ferramenta ser desligada.
30. Se o local de trabalho for extremamente quente e húmido ou muito poluído pelo pó, utilize um disjuntor (30 mA) para garantir a segurança do operador.
31. Não utilize a ferramenta ou quaisquer materiais que contenham amianto.
32. Quando utilizar o disco de corte, trabalhe sempre com a protecção do disco de recolha de pó exigida pelas normas nacionais.
33. Os discos de corte não devem ser sujeitos a qualquer pressão lateral.
34. Não utilize luvas de pano durante a utilização. As fibras das luvas de pano podem entrar na ferramenta causando avarias na ferramenta.
6. Não guarde a ferramenta e a bateria em locais onde a temperatura possa atingir ou exceder 50°C (122°F).
7. Não incinere a bateria, nem mesmo se esta estiver irremediavelmente danificada ou completamente gasta. Pode explodir num incêndio.
8. Não a deixe cair e evite o choque com outros objectos.
9. Não utilize uma bateria danificada.
10. As baterias de íões de lítio contidas na ferramenta são sujeitas aos requisitos da DGL (Dangerous Goods Legislation - Legislação de bens perigosos).  
Para o transporte comercial, por exemplo, por terceiros ou agentes de expedição, têm de ser observados os requisitos referentes à embalagem e etiquetagem.  
Para preparação do artigo a ser expedido, é necessário consultar um perito em materiais perigosos. Tenha ainda em conta a possibilidade de existirem regulamentos nacionais mais detalhados. Coloque fita-cola ou tape os contactos abertos e embale a bateria de tal forma que não possa mover-se dentro da embalagem.

## GUARDE ESTAS INSTRUÇÕES.

### AVISO:

NÃO deixe que o conforto ou familiaridade com o produto (obtida de uma utilização regular) substituam um cumprimento severo das regras de segurança do produto em causa. Uma UTILIZAÇÃO INCORRECTA ou não cumprimento das regras de segurança indicadas neste manual de instruções podem provocar ferimentos pessoais sérios.

## INSTRUÇÕES DE SEGURANÇA IMPORTANTES PARA A BATERIA

ENC007-12

1. Antes de utilizar a bateria, leias as instruções e chamadas de atenção sobre: (1) o carregador da bateria, (2) a bateria e (3) o produto que utiliza a bateria.
2. Não desmonte a bateria.
3. Se o tempo de utilização com a bateria se tornar demasiado curto, deve parar imediatamente. Se continuar, pode causar sobreaquecimento, incêndio e mesmo explosão.
4. Se o electrólito entrar em contacto com os olhos, enxágue-os com água limpa e consulte imediatamente um médico. Os riscos incluem perda de visão.
5. Não provoque um curto-circuito na bateria:
  - (1) Não deixe que quaisquer materiais condutores entrem em contacto com os terminais da bateria.
  - (2) Evite guardar a bateria juntamente com outros objectos de metal como pregos, moedas, etc.
  - (3) Não exponha a bateria a água ou chuva. Um curto-circuito na bateria pode criar uma grande carga eléctrica, sobreaquecimento, possíveis queimaduras e mesmo uma avaria.

11. Siga os regulamentos locais relacionados com a eliminação da bateria.
12. Use as baterias apenas com os produtos especificados pela Makita. A instalação de baterias em produtos que não estão em conformidade pode resultar num incêndio, calor excessivo, explosão ou fuga de electrólito.

## GUARDE ESTAS INSTRUÇÕES.

### PRECAUÇÃO: Utilize apenas baterias genuínas da Makita.

A utilização de baterias não genuínas da Makita ou de baterias que foram alteradas, pode resultar no reabentamento da bateria provocando incêndios, ferimentos pessoais e danos. Além disso, anulará da garantia da Makita no que se refere à ferramenta e ao carregador Makita.

### Sugestões para o máximo de tempo de vida da bateria

1. Não espere que a bateria se gaste completamente para voltar a carregá-la. Pare a ferramenta e carregue a bateria sempre que detectar um baixo nível de energia.
2. Nunca volte a carregar uma bateria já completamente carregada. O carregamento excessivo diminui o tempo de vida das baterias.
3. Carregue a bateria em locais onde a temperatura se situe entre 10°C e 40°C (50°F - 104°F). Se a bateria estiver quente, deixe-a arrefecer antes de iniciar o carregamento.
4. Carregue a bateria em caso de inatividade durante um longo período de tempo (mais de seis meses).

## DESCRIÇÃO DO FUNCIONAMENTO

### ⚠️ PRECAUÇÃO:

- Certifique-se sempre de que a ferramenta está desligada e que a bateria foi removida antes de proceder a ajustes ou testar acessórios.

### Instalar ou retirar a bateria (Fig. 1)

#### ⚠️ PRECAUÇÃO:

- Desligue sempre a ferramenta antes de instalar ou retirar a bateria.
- **Segure bem a ferramenta e a bateria ao instalar ou retirar a bateria.** Se não segurar bem a ferramenta e a bateria, pode fazer com que caiam das mãos e provoquem danos na ferramenta e na bateria e ferimentos pessoais.

Para retirar a bateria, mantenha premido o botão na frente da bateria e puxe.

Para colocar a bateria, alinhe a respectiva saliência com a calha do compartimento e encaixe-a. Insira-a completamente até fixar em posição com um clique. Se ainda estiver visível o indicador vermelho na parte superior do botão, não estará bem encaixada.

#### ⚠️ PRECAUÇÃO:

- Instale sempre a bateria completamente, até deixar de ver o indicador vermelho. Caso contrário, pode cair da ferramenta e causar ferimentos em si, ou em alguém que esteja perto de si.
- Não instale a bateria forçosamente. Se não encaixar facilmente é porque não está correctamente posicionada.

### Ação do interruptor

#### ⚠️ PRECAUÇÃO:

- Antes de instalar a bateria na ferramenta, verifique sempre se o interruptor deslizante está a funcionar correctamente e se volta à posição “OFF” (desligada) quando é premida a parte de trás do interruptor deslizante.
- O interruptor pode ser bloqueado na posição “ON” (ligada) para um maior conforto do operador durante uma utilização prolongada. Tenha cuidado quando bloquear a ferramenta na posição “ON” (ligada) e segure bem a ferramenta.

Para ligar a ferramenta, deslize o interruptor para a posição “I” (ligada) premindo a parte traseira do interruptor deslizante. Para uma utilização contínua, prima a parte da frente do interruptor deslizante para o bloquear.

Para desligar a ferramenta, prima a parte de trás do interruptor deslizante, depois mova-o para a posição “O” (desligada). (Fig. 2)

### Função preventiva de arranque accidental

Mesmo que a bateria esteja colocada na ferramenta com o interruptor deslizante na posição “I” (ligada), a ferramenta não liga.

Para ligar a ferramenta, primeiro mova o interruptor deslizante para a posição “O” (desligada) e, depois, para a posição “I” (ligada).


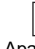













### Função de controlo eletrónico da potência

A ferramenta deteta eletronicamente situações onde o disco ou acessório pode ficar preso. Neste caso, a ferramenta é automaticamente desligada para parar a rotação do fuso (não evita os recuos). Para reiniciar a ferramenta, desligue primeiro a ferramenta, elimine a causa da súbita redução da velocidade de rotação e, de seguida, ligue a ferramenta.

### Indicar a carga restante da bateria

#### Apenas para baterias com o indicador (Fig. 3)

Prima o botão de verificação na bateria para indicar a carga restante da bateria. As lâmpadas indicadoras acendem-se durante alguns segundos.

Lâmpadas indicadoras			Carga restante
 Acesa	 Apagada	 Intermitente	
			75% a 100%
			50% a 75%
			25% a 50%
			0% a 25%
			Carregue a bateria.
			A bateria pode ter avariado.

015658

#### NOTA:

- Consoante as condições de utilização e a temperatura ambiente, a indicação pode ser ligeiramente diferente da carga real.

### Indicar a carga restante da bateria

(Consoante o país) (Fig. 4)

Quando liga a ferramenta, o indicador da bateria mostra a carga restante da bateria.

A carga restante da bateria é mostrada na tabela seguinte.

Estado do indicador da bateria		Carga restante da bateria
: Acesso	: Apagado	
		50% - 100%
		20% - 50%
		0% - 20%
		Carregue a bateria

015096

## Função de mudança automática da velocidade (Fig. 5)

Estado do indicador de modo	Modo de funcionamento
	Modo de alta velocidade
	Modo de alta potência

015098

Esta ferramenta possui “modo de alta velocidade” e “modo de alta potência”. Muda automaticamente o modo de funcionamento dependendo da carga de trabalho. Quando o indicador de modo acende durante o funcionamento, a ferramenta está no modo de alta potência.

## Sistema de protecção da ferramenta/bateria

A ferramenta está equipada com um sistema de protecção da ferramenta/bateria. Este sistema corta automaticamente a alimentação para prolongar a vida útil da ferramenta e bateria.

A ferramenta pára automaticamente durante o funcionamento quando a ferramenta ou bateria são colocadas numa das condições seguintes. Em algumas condições, o indicador acende.

### Protecção contra sobrecarga

Quando a ferramenta é utilizada de uma forma que faz com que consuma uma corrente invulgarmente alta, a ferramenta pára automaticamente sem quaisquer indicações. Nesta situação, desligue a ferramenta e pare a aplicação que causou a sobrecarga. De seguida, ligue a ferramenta para reiniciar.

### Protecção contra sobreaquecimento para a ferramenta

Quando a ferramenta está sobreaquecida, a ferramenta pára automaticamente e o indicador da bateria apresenta

o estado seguinte. Nesta situação, deixe a ferramenta arrefecer antes de voltar a ligá-la.

Indicador da bateria	: Acesso	: Apagado	: Intermitente
	A ferramenta está sobreaquecida		

015140

### Libertar o bloqueio de protecção

Quando o sistema de protecção funciona repetidamente, a ferramenta é bloqueada e o indicador da bateria apresenta o estado seguinte.

Indicador da bateria	: Acesso	: Apagado	: Intermitente
	Bloqueio de protecção activado		

015200

Nesta situação, a ferramenta não arranca mesmo ao desligar e ligar a ferramenta. Para libertar o bloqueio de protecção, retire a bateria, ligue-a ao carregador de bateria e aguarde até o carregamento concluir.

## Bloqueio do veio

### ⚠ PRECAUÇÃO:

- Nunca accione o bloqueio do veio quando o fuso estiver em movimento. Pode avariar a ferramenta. Prima o bloqueio do veio para evitar a rotação do fuso quando instalar ou remover acessórios. (Fig. 6)

## MONTAGEM

### ⚠ PRECAUÇÃO:

- Certifique-se sempre de que a ferramenta está desligada e a bateria removida, antes de efectuar qualquer operação na ferramenta.

## Instalar a pega lateral (manipulo)

### ⚠ PRECAUÇÃO:

- Certifique-se sempre de que a pega lateral está bem instalada antes de utilizar a ferramenta.

Aparafuse bem a pega lateral em posição na ferramenta, tal como indicado na ilustração. (Fig. 7)

## Instalar ou retirar o resguardo do disco (Para disco côncavo, multi-discos/disco de corte abrasivo, disco diamantado)

### ⚠ AVISO:

- Quando utilizar o disco de afiar côncavo/multi-discos, disco flex, escova tipo taça, disco de corte ou disco diamantado, o resguardo do disco deve ser instalado na ferramenta, de forma a que o lado fechado do resguardo aponte sempre na direcção do operador.
- Quando usar um disco de corte abrasivo/disco diamantado, use apenas o resguardo de disco especial concebido para utilizar com discos de corte. (Em alguns países europeus, ao utilizar um disco

diamantado, o resguardo normal pode ser utilizado.  
Cumpra a legislação do seu país.)

### Para ferramentas com resguardo de disco do tipo alavanca de fixação

Solte a alavanca do resguardo do disco, depois de soltar o parafuso. Instale o resguardo do disco com a saliência na banda do resguardo do disco alinhada com o entalhe na caixa de rolamentos. De seguida, rode o resguardo do disco para um ângulo em que possa proteger o operador durante o trabalho. (Fig. 8)

Aperte a alavanca para apertar o resguardo do disco. Se a alavanca estiver demasiado apertada ou demasiado solta para apertar o resguardo do disco, desaperte ou aperte o parafuso para ajustar o nível de aperto da cinta do resguardo do disco. (Fig. 9)

Para remover o resguardo do disco, siga o procedimento inverso da instalação.

### Para ferramentas com resguardo de disco do tipo parafuso de bloqueio (Fig. 10)

Instale o resguardo do disco com as saliências na banda do resguardo do disco alinhadas com os entalhes na caixa de rolamentos. De seguida, rode o resguardo do disco 180° no sentido contrário ao dos ponteiros do relógio. Certifique-se de que aperta bem o parafuso.

Para remover o resguardo do disco, siga o procedimento inverso da instalação.

### Instalar ou remover disco côncavo ou disco estriado (acessório opcional)

#### ⚠️ AVISO:

- Ao utilizar um disco côncavo ou um disco estriado, o resguardo do disco deve ser instalado na ferramenta, de forma a que o lado fechado do resguardo aponte sempre na direcção do operador.
- Apenas accione o bloqueio do veio quando o fuso não estiver em movimento.

Instale a flange interior no fuso. Instale o disco na flange interior e aparafuse a porca de bloqueio no fuso. (Fig. 11)

Para apertar a porca de bloqueio, prima o bloqueio do veio firmemente, para evitar que o fuso rode, e utilize a chave da porca de bloqueio para a apertar com segurança no sentido dos ponteiros do relógio. (Fig. 12)  
Para remover o disco, siga o procedimento inverso de instalação.

### Instalar ou retirar a Ezynut (acessório opcional)

#### ⚠️ PRECAUÇÃO:

- Não utilize a Ezynut com Super Flange ou esmerilhadeira angular com "F" na extremidade do nº de modelo. Estas flanges são tão espessas que a totalidade da rosca não pode ser retida pelo fuso.

Monte a flange interna, disco abrasivo e a Ezynut no fuso de modo a que o logótipo da Makita na Ezynut esteja virado para fora. (Fig. 13)

Pressione o bloqueio do veio com firmeza e aperte a Ezynut rodando ao máximo o disco abrasivo no sentido dos ponteiros do relógio.

Rode o anel exterior da Ezynut no sentido contrário aos ponteiros do relógio para desapertar. (Fig. 14)

#### NOTA:

- A Ezynut pode ser desapertada manualmente desde que a seta aponte para o entalhe. Caso contrário, é necessária uma chave de porca de bloqueio para a desapertar. Introduza um perno da chave num orifício e rode a Ezynut no sentido contrário aos ponteiros do relógio. (Fig. 15 & 16)

### Instalar ou retirar a roda flexível

#### Acessório opcional

#### ⚠️ AVISO:

- **Utilize sempre o resguardo fornecido quando a roda flexível estiver na ferramenta.** A roda pode partir-se durante a utilização e o resguardo ajuda a reduzir os riscos de ferimentos pessoais. (Fig. 17)

Siga as instruções referentes à roda com centro rebaixado, mas utilize, igualmente, uma almofada de apoio sobre a roda. Veja a ordem de montagem na página dos acessórios neste manual.

### Instalar ou retirar o disco abrasivo (acessório opcional) (Fig. 18)

Instale a o apoio de borracha no fuso. Instale o disco no apoio de borracha e aparafuse a porca de bloqueio no fuso. Para apertar a porca de bloqueio, prima o bloqueio do veio firmemente, para evitar que o fuso rode, e utilize a chave da porca de bloqueio para a apertar com segurança no sentido dos ponteiros do relógio.

Para remover o disco, siga o procedimento inverso de instalação.

#### NOTA:

- Utilize os acessórios da lixadora especificados neste manual. Estes têm de ser adquiridos separadamente.

## FUNCIONAMENTO

#### ⚠️ AVISO:

- Nunca deverá ser necessário forçar a ferramenta. O peso da ferramenta aplica pressão adequada. Forçar e pressão excessiva poderão ser perigosos e partir o disco.
- Substitua SEMPRE o disco se deixar cair a ferramenta enquanto rectifica.
- NUNCA atire ou embata com o disco de afiar na peça de trabalho.
- Evite fazer ressaltar e movimentar bruscamente o disco, especialmente quando estiver a trabalhar cantos, extremidades afiadas, etc. Isto pode provocar a perda de controlo e ressaltos.
- NUNCA utilize a ferramenta com lâminas de cortar madeira e outras lâminas de serra. Tais lâminas, quando utilizadas numa esmerilhadeira, provocam com frequência ressaltos e perda de controlo, que podem provocar ferimentos pessoais.

#### ⚠️ PRECAUÇÃO:

- Nunca ligue a ferramenta quando esta estiver em contacto com a peça de trabalho, uma vez que poderá causar ferimentos no operador.
- Use sempre óculos de segurança ou uma viseira facial durante o funcionamento.

- Após a utilização, desligue sempre a ferramenta e aguarde até que o disco pare completamente antes de pousar a ferramenta.

## Rectificar e lixar (Fig. 19)

Segure SEMPRE firmemente a ferramenta colocando uma mão sobre o respectivo corpo e a outra na pega lateral. Ligue a ferramenta e coloque o disco sobre a peça de trabalho.

De maneira geral, mantenha a extremidade do disco a um ângulo de cerca de 15 graus da superfície da peça de trabalho.

Durante o período de rodagem de um novo disco, não coloque a esmerilhadeira a funcionar na direcção B ou esta cortará a peça de trabalho. Quando a extremidade do disco ficar arredondada pelo uso, o disco pode ser trabalhado nas direcções A e B.

## Operação com uma roda de corte abrasiva/roda diamantada

### Acessório opcional

#### ⚠ AVISO:

- **Quando utilizar uma roda de corte abrasiva/roda diamantada, certifique-se que utiliza apenas o resguardo da roda especialmente projetada para utilização com as rodas de corte.** (Em alguns países europeus, pode-se utilizar um resguardo comum quando se utilizam rodas diamantadas. Siga os regulamentos do seu país).
- **NUNCA utilize rodas de corte para a esmerilagem lateral.**
- **Não “encrave” a roda nem aplique pressão excessiva. Não tente efetuar um corte demasiadamente profundo.** Sujeitar a roda a esforço excessivo aumenta a carga e a suscetibilidade de torção ou prisão da roda no corte e a possibilidade de ocorrência de recuo, rotura da roda e sobreaquecimento do motor.
- **Não inicie a operação de corte na peça de trabalho. Aguarde até que a roda atinja a velocidade máxima e coloque-a no corte cuidadosamente, movendo a ferramenta para a frente sobre a superfície da peça de trabalho.** A roda pode prender, saltar ou ressaltar se ligar a ferramenta elétrica na peça de trabalho.
- **Nunca altere o ângulo da roda durante as operações de corte.** Exercer pressão lateral na roda de corte (como na esmerilagem) pode provocar fissuras e rotura, provocando ferimentos graves.
- **Uma roda diamantada deve ser utilizada perpendicularmente ao material a ser cortado.** (Fig. 20)

Quanto à instalação, siga as instruções para a roda com centro rebaixado.

**A direcção de montagem da porca de bloqueio e da flange interior varia de acordo com o tipo e a espessura da roda.**

Consulte as figuras seguintes.

## Para o modelo de 100 mm

**Quando instalar a roda de corte abrasiva: (Fig. 21)**

**Quando instalar a roda diamantada: (Fig. 22)**

## Para o modelo de 115 mm/125 mm

**Quando instalar a roda de corte abrasiva: (Fig. 23)**

**Quando instalar a roda diamantada: (Fig. 24)**

## Funcionamento com escova tipo taça (acessório opcional)

#### ⚠ PRECAUÇÃO:

- Verifique o funcionamento da escova colocando-a em funcionamento sem carga, certificando-se de que ninguém se encontra à frente ou na direcção da escova.
- Não utilize escovas danificadas ou desequilibradas. A utilização de escovas danificadas pode aumentar o risco de ferimentos devido ao contacto com arames da escova partidos.

Retire a bateria da ferramenta e vire-a ao contrário permitindo um acesso fácil ao fuso. Retire quaisquer acessórios no fuso. Enrosque a escova tipo taça no fuso e aperte com a chave fornecida. Quando utilizar a escova, evite aplicar demasiada pressão que causa a curvatura excessiva dos fios, resultando em quebra prematura. (Fig. 25)

## Funcionamento com escova de disco de arame (acessório opcional)

#### ⚠ PRECAUÇÃO:

- Verifique o funcionamento da escova de disco de arame colocando-a em funcionamento sem carga, certificando-se de que ninguém se encontra à frente ou na direcção da escova de disco de arame.
- Não utilize escovas de disco de arame danificadas ou desequilibradas. A utilização de escovas de disco de arame danificadas pode aumentar o risco de ferimentos devido ao contacto com arames partidos.
- Use SEMPRE o resguardo com escovas de disco de arame, garantindo que o diâmetro do disco cabe dentro do resguardo. O disco pode partir durante a utilização e o resguardo ajuda a reduzir a ocorrência de ferimentos pessoais.

Retire a bateria da ferramenta e vire-a ao contrário permitindo um acesso fácil ao fuso. Retire quaisquer acessórios no fuso. Enrosque a escova de disco de arame no fuso e aperte com as chaves. (Fig. 26) Quando utilizar a escova de disco de arame, evite aplicar demasiada pressão que causa a curvatura excessiva dos fios, resultando em quebra prematura.

## MANUTENÇÃO

#### ⚠ PRECAUÇÃO:

- Certifique-se sempre de que a ferramenta está desligada e a bateria removida antes de efectuar operações de inspecção ou de manutenção.
- Nunca utilize gasolina, benzina, diluente, álcool ou semelhante. Podem formar-se descolorações, deformações ou fissuras.

A ferramenta e as respectivas aberturas de ventilação devem ser mantidas limpas. Limpe regularmente as aberturas de ventilação da ferramenta ou sempre que as aberturas comecem a ficar obstruídas. **(Fig. 27)**  
Retire a protecção para o pó da ventilação de entrada e limpe-a para uma circulação suave do ar. **(Fig. 28)**

**NOTA:**

- Limpe a protecção para o pó quando está colmatada com pó ou substâncias estranhas. Um funcionamento contínuo com uma protecção para o pó obstruída pode danificar a ferramenta.

Para manter os níveis de SEGURANÇA e FIABILIDADE definidos para este produto, as reparações e os procedimentos de manutenção ou ajustes devem ser executados por centros de assistência Makita autorizados, utilizando sempre peças de substituição Makita.

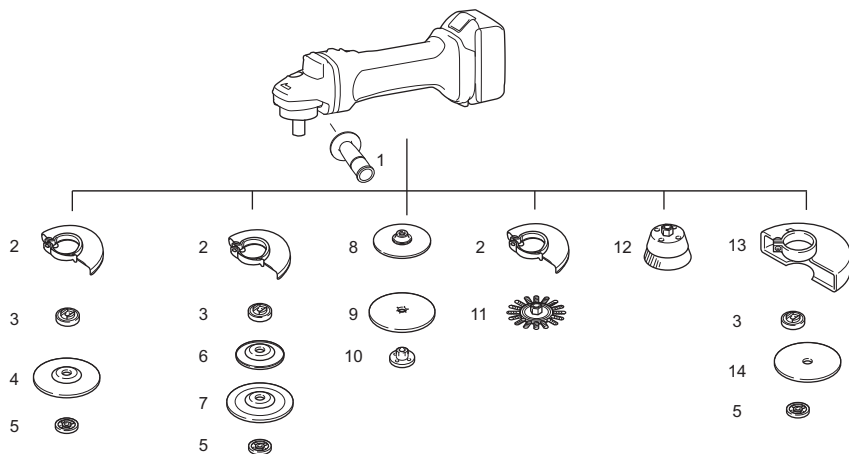
## ACESSÓRIOS OPCIONAIS

### PRECAUÇÃO:

- Os seguintes acessórios ou extensões são os recomendados para utilizar com a ferramenta Makita especificada neste manual. A utilização de quaisquer outros acessórios poderá representar um risco de ferimento para as pessoas. Apenas utilize o acessório para o fim indicado.

Se precisar de informações adicionais relativas aos acessórios, contacte o centro local de assistência Makita.

- Bateria e carregador Makita genuínos



	Modelo de 100 mm	Modelo de 115 mm	Modelo de 125 mm
1	Punho 36		
2	Resguardo da roda (para roda de esmerilagem)		
3	Flange interior	Flange interior/Super flange *1*2	Flange interior/Super flange
4	Roda com centro rebaixado/Disco de aba		
5	Porca de bloqueio	Porca de bloqueio/Ezynut *1*2	Porca de bloqueio/Ezynut *2
6	Almofada de apoio		
7	Roda flexível		
8	Almofada de borracha 76	Almofada de borracha 100	Almofada de borracha 115
9	Disco abrasivo		
10	Porca de bloqueio de lixagem		
11	Escova de arame tipo roda		
12	Escova de arame tipo copo		
13	Resguardo da roda (para roda de corte) *3		
14	Roda de corte abrasiva/roda diamantada		
-	Chave para porcas de bloqueio		

Nota:

\*1 Apenas para ferramentas com rosca do eixo M14.

\*2 Não utilize a Super flange e a Ezynut em conjunto.

\*3 Em alguns países europeus, pode-se utilizar um resguardo comum em vez de um resguardo especial que cobre ambos os lados da roda quando utilizar rodas diamantada. Siga os regulamentos do seu país.

015100-2

#### NOTA:

- Alguns itens na lista podem estar incluídos no pacote de ferramentas como acessórios de série. Podem diferir de país para país.

#### Ruído

O nível de ruído ponderado A típico determinado, de acordo com EN60745:

ENG905-1

#### Modelo DGA404

Nível de pressão sonora ( $L_{pA}$ ): 80 dB (A)

Nível de potência ( $L_{WA}$ ): 91 dB (A)

Incerteza (K): 3 dB (A)

#### Modelo DGA454, DGA504

Nível de pressão sonora ( $L_{pA}$ ): 79 dB (A)

Incerteza (K): 3 dB (A)

O nível de ruído quando em funcionamento pode exceder os 80 dB (A).

**Use protecção para os ouvidos.**



## Vibração

ENG900-1

O valor total de vibração (soma vector triaxial) determinado, de acordo com EN60745:

### Modelo DGA404

Modo de trabalho: rectificar à superfície com pega lateral normal

Emissão de vibrações ( $a_{h,AG}$ ): 4,5 m/s<sup>2</sup>

Incerteza (K): 1,5 m/s<sup>2</sup>

Modo de trabalho: rectificar à superfície com pega lateral anti-vibrações

Emissão de vibrações ( $a_{h,AG}$ ): 4,0 m/s<sup>2</sup>

Incerteza (K): 1,5 m/s<sup>2</sup>

Modo de trabalho: lixagem por disco

Emissão de vibrações ( $a_{h,DS}$ ): 2,5 m/s<sup>2</sup> ou menos

Incerteza (K): 1,5 m/s<sup>2</sup>

### Modelo DGA454, DGA504

Modo de trabalho: rectificar à superfície com pega lateral normal

Emissão de vibrações ( $a_{h,AG}$ ): 6,5 m/s<sup>2</sup>

Incerteza (K): 1,5 m/s<sup>2</sup>

Modo de trabalho: rectificar à superfície com pega lateral anti-vibrações

Emissão de vibrações ( $a_{h,AG}$ ): 6,0 m/s<sup>2</sup>

Incerteza (K): 1,5 m/s<sup>2</sup>

Modo de trabalho: lixagem por disco

Emissão de vibrações ( $a_{h,DS}$ ): 2,5 m/s<sup>2</sup> ou menos

Incerteza (K): 1,5 m/s<sup>2</sup>

ENG902-1

- O valor da emissão de vibração declarado foi medido de acordo com o método de teste padrão e pode ser utilizado para comparar uma ferramenta com outra.
- O valor da emissão de vibração declarado pode também ser utilizado numa avaliação preliminar de exposição.
- O valor da emissão de vibração declarado é utilizado para as aplicações principais da ferramenta eléctrica. No entanto, se a ferramenta eléctrica for utilizada para outras aplicações, o valor da emissão de vibração pode ser diferente.

### AVISO:

- A emissão de vibração durante a utilização real da ferramenta eléctrica pode ser diferente do valor de emissão declarado, dependendo da forma como a ferramenta é utilizada.
- Certifique-se de que identifica medidas de segurança, para proteger o operador, que são baseadas numa estimativa de exposição nas condições reais de utilização (tendo em conta todas as partes do ciclo de funcionamento, como as vezes que a ferramenta é desligada e quando está a trabalhar ao ralenti, além do tempo de utilização).

### Declaração de conformidade CE

#### ***Apenas para os países europeus***

A declaração de conformidade CE está incluída como Anexo A neste manual de instruções.

## DANSK (Originalvejledning)

### Forklaring til generel oversigt

- |                       |                                     |   |
|-----------------------|-------------------------------------|---|
| 1. Knap               | 15. Forsænket centerslibeskive      | 29. Beskyttelsesskærm til vinkelslibeskive/diamantskive |
| 2. Rød indikator      | 16. Indre flange                    | 30. Slibende afskæringsskive (Tyndere end 4 mm)         |
| 3. Batteripakke       | 17. Skruenøgle til sikringsmøtrik   | 31. Slibende afskæringsskive (4 mm eller tykkere)       |
| 4. Glidekontakt       | 18. Ezynut                          | 32. Diamantskive (Tyndere end 4 mm)                     |
| 5. Indikatorlamper    | 19. Slibeskive                      | 33. Diamantskive (4 mm eller tykkere)                   |
| 6. Kontrolknap        | 20. Spindel                         | 34. Koptrådbørste                                       |
| 7. Batteriindikator   | 21. Pål                             | 35. Skivetrådbørste                                     |
| 8. Tilstandsindikator | 22. Indhak                          | 36. Udstødningsåbning                                   |
| 9. Aksellås           | 23. Flexskive                       | 37. Indsugningsåbning                                   |
| 10. Beskyttelsesskærm | 24. Bagskive                        | 38. Støvdæksel  |
| 11. Kuglelejoboks     | 25. Sikringsmøtrik til sandslibning |   |
| 12. Skrue             | 26. Slibedisk                       |   |
| 13. Håndtag           | 27. Gummimatte                      |   |
| 14. Sikringsmøtrik    | 28. Vinkelslibeskive/diamantskive   |   |

## SPECIFIKATIONER

Model		DGA404	DGA454	DGA504
Skivediameter		100 mm (4")	115 mm (4-1/2")	125 mm (5")
Maks. skivetykkelse		6,4 mm (1/4")	6,4 mm (1/4")	6,4 mm (1/4")
Spindelgevind		M10	M14 eller 5/8" (landespecifik)	
Nominel hastighed (n)/hastighed uden belastning (n <sub>0</sub> )		8.500 min <sup>-1</sup>		
Længde i alt	Med batteripakke BL1815N, BL1820, BL1820B	348 mm		
	Med batteripakke BL1830, BL1830B, BL1840, BL1840B, BL1850, BL1850B, BL1860B	362 mm		
Nettovægt	Med batteripakke BL1815N, BL1820, BL1820B	2,2 kg	2,3 kg	2,3 kg
	Med batteripakke BL1830, BL1830B, BL1840, BL1840B, BL1850, BL1850B, BL1860B	2,4 kg	2,5 kg	2,5 kg
Nominel spænding		18 V jævnstrøm		

- På grund af vores løbende forsknings- og udviklingsprogram kan specifikationerne heri ændres uden forudgående varsel.
- Specifikationerne og batteripakken kan variere fra land til land.
- Vægt, inklusive batteripakken, i henhold til EPTA-Procedure 01/2003


### Tilsigtet brug

ENE048-1

Maskinen er beregnet til afslibning, sandslibning og skæring i metal- og stenmaterialer uden brug af vand.

## Generelle sikkerhedsadvarsler for maskiner

GEA010-1

 **ADVARSEL** Læs alle sikkerhedsadvarsler og alle instruktioner. Hvis De ikke følger alle advarsler og instruktioner, kan det medføre elektrisk stød, brand og/eller alvorlig personskade.

## Gem alle advarsler og instruktioner til senere reference.

## SIKKERHEDSADVARSLER FOR LEDNINGSFRI SLIBEMASKINE

GEB059-4

Fælles sikkerhedsadvarsler for afslibning, sandslibning, trådbørstning og vinkelslibning:

1. Denne maskine er beregnet til brug som afsliber, sandsliber, trådbørste eller vinkelsliber. Læs alle sikkerhedsadvarsler, instruktioner, illustrationer og specifikationer, der følger med maskinen. Hvis du ikke følger alle instruktionerne nedenfor, kan det medføre elektrisk stød, brand og/eller alvorlig personskade.
2. Det anbefales ikke at benytte maskinen til formål som f.eks. polering. Anvendelser, som maskinen ikke er beregnet til, kan udgøre en risiko og medføre personskade.
3. Undlad at benytte tilbehør, som ikke er specielt udviklet og anbefalet af værktøjsproducenten.

Selvom tilbehøret kan monteres på maskinen, er anvendelsen ikke nødvendigvis sikker.

4. **Tilbehørets nominelle hastighed skal være mindst lig med den maksimale hastighed, der er angivet på maskinen.** Tilbehør, der kører hurtigere end dets nominelle hastighed, kan gå i stykker og blive slynget bort.
5. **Tilbehørets udvendige diameter og tykkelse skal overholde maskinens kapacitet.** Tilbehør med forært størrelse kan ikke fastgøres eller kontrolleres korrekt.
6. **Ved montering af tilbehør med gevind skal de passe til sliberens spindelgevind. Ved tilbehør, der monteres med flanger, skal akselhullet på tilbehøret passe til den modsvarende diameter på flangen.** Tilbehør, der ikke passer til monteringsudstyret på maskinen, vil komme ud af balance, vibrere voldsomt og kan medføre, at du mister kontrollen.
7. **Undlad brug af beskadiget tilbehør. Kontroller tilbehør som f.eks. slibeskiver, hver gang de bruges, for flænger og revner, bagpolstringer for revner, nedslidning eller kraftigt slid, trådbørster for løse eller knækkede tråde. Hvis du taber maskinen eller tilbehøret, skal du se efter for beskadigelser eller montere ubeskadiget tilbehør. Efter kontrol og montering af tilbehør skal du placere dig selv og tilskuere væk fra tilbehørets drejningsplan og lade maskinen køre ved maksimal hastighed uden belastning i et minut.** Beskadiget tilbehør vil normalt gå i stykker inden for denne testperiode.
8. **Bær personligt sikkerhedsudstyr. Afhængigt af anvendelsen skal du bære ansigtsskærm, beskyttelsesbriller eller sikkerhedsbriller. Bær om nødvendigt støvmaske, hørevarm, handsker og arbejdsforklæde, der kan stoppe små slibningsstykker eller stumper af arbejdsemnet.** Øjenbeskyttelsen skal kunne stoppe flyvende stumper, der frembringes ved forskellige anvendelser. Støvmasken eller åndedrætsbeskyttelsen skal kunne filtrere partikler, der frembringes ved anvendelsen. Længerevarende udsættelse for kraftig støj kan medføre høreskader.
9. **Hold andre tilstedeværende på sikker afstand af arbejdsområdet. Alle, der kommer ind i arbejdsområdet, skal bære personligt sikkerhedsudstyr.** Dele af arbejdsemnet eller ødelagt tilbehør kan flyve væk og medføre personskade uden for det umiddelbare anvendelsesområde.
10. **Hold kun maskinen i de isolerede gribeblader, når du udfører arbejde, hvor skæreværktøjet kan komme i kontakt med skjulte ledninger.** Kontakt med en strømførende ledning gør også udsatte metaldele på maskinen strømførende, hvorved operatøren muligvis kan få elektrisk stød.
11. **Læg aldrig maskinen fra dig, før tilbehøret er stoppet helt.** Det roterende tilbehør kan gribe fat i overfladen og trække i maskinen, så du mister kontrollen.
12. **Lad ikke maskinen køre, mens du bærer den ved siden.** Hvis dit tøj kommer i kontakt med det roterende tilbehør, kan det gribe fat i tøjet og trække tilbehøret ind imod kroppen på dig.

13. **Rengør regelmæssigt maskinens ventilationsåbninger.** Motorventilatoren trækker støvet ind i kabinettet, og koncentration af forstøvet metal kan medføre elektriske risici.
14. **Undlad at betjene maskinen i nærheden af brændbare materialer.** Gnister kan antænde disse materialer.
15. **Undlad at benytte tilbehør, der kræver flydende kølemidler.** Brug af vand eller andre flydende kølemidler kan medføre elektrisk stød eller chok.

#### Tilbageslag og relaterede advarsler

Tilbageslag er en pludselig reaktion på, at en roterende skive, bagpolstring, børste eller andet tilbehør sidder fast eller kommer i klemme. Hvis tilbehøret sidder fast eller kommer i klemme, går det roterende tilbehør pludselig i stå, hvorved den ikke-kontrollerede maskine tvinges i den modsatte retning af tilbehørets rotationsretning på det sted, hvor det sidder fast.

Hvis en slibeskive f.eks. kommer i klemme eller sidder fast på arbejdsemnet, kan den kant på skiven, der sidder ind i fastklemningspunktet, skære sig ind i emnets overflade, så skiven klatrer ud eller slås ud. Skiven kan enten springe mod eller bort fra operatøren, afhængigt af skivens bevægelse på det sted, hvor den sidder fast. Slibeskiver kan også gå i stykker under disse forhold. Tilbageslag skyldes forkert brug af maskinen og/eller forkerte betjeningsprocedurer eller forhold og kan undgås ved at træffe de nødvendige forsigtighedsregler som beskrevet nedenfor.

- a) **Hold godt fast i maskinen, og placer kroppen og armen, så du kan modstå tilbageslag. Benyt altid det ekstra håndtag, hvis det er tilgængeligt, for at opnå størst mulig kontrol med tilbageslag eller drejningsreaktion ved start.** Operatøren kan kontrollere drejningsreaktioner eller tilbageslag, hvis der træffes de rette forholdsregler.
- b) **Placer aldrig hånden i nærheden af roterende tilbehør.** Tilbehøret kan blive slået tilbage hen over hånden.
- c) **Placer ikke dig selv i det område, hvor maskinen vil bevæge sig, hvis der opstår tilbageslag.** Ved tilbageslag bliver maskinen slynget i modsat retning af skivens bevægelse på det sted, hvor den sidder fast.
- d) **Vær særligt forsigtig ved arbejde på hjørner, skarpe kanter osv. Undgå at støde og vride tilbehøret.** Hjørner, skarpe kanter og stød har tendens til at få det roterende tilbehør til at sidde fast og forårsage tab af kontrollen eller tilbageslag.
- e) **Montér ikke en klinge til savning i træ eller en savklinge med tænder.** Sådanne klinger forårsager ofte tilbageslag og tab af kontrollen.

#### Specifikke sikkerhedsadvarsler for afslibning og vinkelslibning:

- a) **Anvend kun skivetyper, der anbefales til maskinen, og den specifikke beskyttelsesskærm, der er beregnet til den valgte skive.** Skiver, som maskinen ikke er beregnet til, kan ikke beskyttes ordentligt og er ikke sikre at bruge.
- b) **Slibeoverfladen på centerforsænkede skiver skal monteres nedenfor beskyttelsesskærmkantens plan.** En forkert monteret skive, som rager ud gennem

beskyttelsesskærmen plan, kan ikke beskyttes tilstrækkeligt.

c) **Beskyttelsesskærmen skal sidde korrekt fast på maskinen og placeres med henblik på maksimal sikkerhed, så mindst muligt af skiven er blottet ud mod operatøren.**

Beskyttelsesskærmen hjælper med at beskytte operatøren mod dele af brækkede skiver, utilsigtet kontakt med skiven og gnister, der kan antænde tøjet.

d) **Skiver må kun benyttes til de anbefalede anvendelser. Eksempel: Undlad at bruge siden af en slibeskive til vinkelslibning.** Vinkelslibeskiver er beregnet til slibning i periferien. Hvis skiverne udsættes for kræfter fra siden, kan de gå i stykker.

e) **Anvend altid ubeskadigede skiveflanger af den korrekte størrelse og form til den valgte skive.**

Korrekte skiveflanger understøtter skiven, så der er mindre risiko for, at den går i stykker. Flanger til vinkelslibeskiver kan være forskellige fra flanger til slibeskiver.

f) **Undlad at benytte nedslidte skiver fra større maskiner.** Skiver, der er beregnet til større maskiner, er ikke beregnet til en mindre maskines større hastigheder og kan gå i stykker.

#### **Specifikke sikkerhedsadvarsler for vinkelslibning:**

a) **Undlad at "låse" vinkelslibeskiven eller anvende unødigt pres. Undlad at skære for dybt.**

Hvis skiven overbelastes, forøges belastningen og risikoen for at bøje skiven, eller at den sidder fast i snittet, hvilket øger risikoen for tilbageslag, eller at skiven går i stykker.

b) **Undlad at placere dig selv på linje med og bagved den roterende skive.** Når skiven på anvendelsesstedet bevæger sig bort fra dig selv, vil et eventuelt tilbageslag slynge den roterende skive og maskinen direkte tilbage mod dig selv.

c) **Hvis skiven sidder fast, eller hvis du af en anden grund afbryder et snit, skal du slukke for maskinen og holde den stille, indtil skiven er stoppet helt. Forsøg aldrig at fjerne vinkelslibeskiven fra snittet, mens skiven bevæger sig, da dette kan forårsage tilbageslag.**

Se efter og tag modforholdsregler imod årsager til, at skiven binder.

d) **Start ikke snittet igen i arbejdsemnet. Lad skiven nå fuld hastighed, og sæt den forsigtigt tilbage i snittet.** Skiven kan binde, springe op eller forårsage tilbageslag, hvis maskinen genstartes i arbejdsemnet.

e) **Støt paneler eller store arbejdsemner for at reducere risikoen for, at skiven binder og forårsager tilbageslag.** Store arbejdsemner har tendens til at bøje under deres egen vægt. Der skal placeres støtter under arbejdsemnet i nærheden af skæringslinjen og nær arbejdsemnets kanter på begge sider af skiven.

f) **Vær ekstra forsigtig, når du foretager et "lømmesnit" i eksisterende vægge eller andre områder, du ikke kan se.** Den fremstikkende skive kan skære i gas- eller vandrør, elektriske kabler eller genstande, der kan forårsage tilbageslag.

#### **Specifikke sikkerhedsadvarsler for sandslibning:**

a) **Anvend ikke en for stor størrelse sandpapir.**

**Følg producentens anbefalinger ved valg af sandpapir.** Større sandpapir, der stikker ud over sandpladen, kan skære i personer og sidde fast, blive revet af disken eller forårsage tilbageslag.

#### **Specifikke sikkerhedsadvarsler for trådbørstning:**

a) **Vær opmærksom på, at tråde kan blive slynget af børsten selv ved normal betjening. Overbelast ikke trådene ved at belaste børsten for hårdt.**

Trådene kan nemt gennemtrænge let beklædning og/eller huden.

b) **Hvis brug af en beskyttelsesskærm anbefales til trådbørstning, må du ikke lade trådskiven eller børsten støde mod skærmen.** Diameteren af trådskiven eller børsten kan blive større på grund af arbejdsbelastning eller centrifugalkræfter.

#### **Yderligere sikkerhedsadvarsler:**

- 16. Ved brug af forsænkede centerslibeskiver må du kun benytte fiberglasforstærkede skiver.**
- 17. BRUG ALDRIG stenskiver af koptypen til denne slibemaskine.** Denne slibemaskine er ikke designet til disse typer skiver og brugen af et sådan produkt kan muligvis resultere i alvorlig personskade.
- 18. Vær forsigtig med ikke at beskadige spindelen, flangen (især monteringsområdet) eller sikringsmøtrikken.** Beskadigelse af disse dele kan medføre beskadigelse af skiven.
- 19. Sørg for, at skiven ikke har kontakt med arbejdsemnet, før der tændes på kontakten.**
- 20. Lad maskinen køre et stykke tid, før den benyttes på et arbejdsemne.** Hold øje med vibrationer eller svinger, der kan være tegn på en dårlig montering eller en dårligt afbalanceret skive.
- 21. Anvend den tilsigtede overflade på skiven til at udføre slibningen.**
- 22. Gå ikke fra maskinen, mens den kører. Lad kun maskinen køre, mens du holder den i hænderne.**
- 23. Berør ikke arbejdsemnet umiddelbart efter arbejdet.** Det kan være meget varmt og forårsage forbrændinger af huden.
- 24. Overhold producentens instruktioner for korrekt montering og brug af skiver. Vær omhyggelig med håndteringen og opbevaringen af skiverne.**
- 25. Anvend ikke separate reduktionsbøsninger eller adaptere til tilpasning af slibeskiver med store huller.**
- 26. Brug kun flanger, der er beregnet til maskinen.**
- 27. For maskiner, der er beregnet til brug med skiver med gevind, skal du sikre dig, at gevindet i skiven er tilstrækkeligt langt til at modsvare længden af spindelen.**
- 28. Kontroller, at arbejdsemnet er korrekt understøttet.**
- 29. Vær opmærksom på, at skiven fortsætter med at rotere, efter at der slukkes for maskinen.**
- 30. Hvis arbejdspladsen er meget varm og fugtig, eller hvis den er kraftigt forurenet af ledende støv, skal du bruge en kortslutningsafbryder (30 mA) til at beskytte operatøren.**
- 31. Anvend ikke maskinen på materialer, der indeholder asbest.**

32. Ved brug af vinkelslibeskiver skal du altid benytte den beskyttelsesskærm til støvopsamling, som den lokale lovgivning foreskriver.
33. Slibeskiver må ikke udsættes for tryk fra siden.
34. Anvend ikke stofarbejdshandsker under arbejdet.  
Fibre fra stofhandsker kan komme ind i værktøjet, hvilket forårsager sammenbrud på værktøjet.

## GEM DISSE INSTRUKTIONER.

### ⚠ ADVARSEL:

LAD IKKE tryghed eller kendskab til produktet (fra gentagen brug) føre til, at du ikke strengt overholder sikkerhedsreglerne for det gældende produkt. MISBRUG eller manglende overholdelse af sikkerhedsreglerne i denne brugsanvisning kan medføre alvorlig personskade.

## VIGTIGE SIKKERHEDSINSTRUKTIONER FOR AKKUEN

ENC007-12

1. Før brugen af batteripakken skal du læse alle instruktioner og advarsler på (1) batteriopladeren, (2) batteriet og (3) det produkt, som batteriet anvendes i.
2. Skil ikke batteripakken ad.
3. Hvis driftstiden bliver betydeligt kortere, skal du straks ophøre med brugen. Brug kan medføre risiko for overophedning, risiko for forbrændinger eller endog eksplosion.
4. Hvis du får elektrolyt i øjnene, skal du med det samme rense øjnene med rent vand og søge læge. Dette kan medføre tab af synet.
5. Kortslut ikke batteripakken:
  - (1) Undgå at røre ved terminalerne med ledende materiale.
  - (2) Undgå at opbevare batteripakken i en beholder med andre metalgenstande som f.eks. søm, mønter osv.
  - (3) Udsæt ikke batteripakken for vand eller regn. Hvis batteriet kortsluttes, kan det medføre voldsom strøm, overophedning, mulige forbrændinger og endog nedbrud.
6. Undgå at opbevare værktøjet og batteripakken på steder, hvor temperaturen kan komme op på eller overstige 50°C.
7. Sæt ikke ild til batteripakken, selvom den er alvorligt beskadiget eller helt udtjent. Batteripakken kan eksplodere ved brand.
8. Undgå at tabe eller slå på batteriet.
9. Undlad brug af et beskadiget batteri.
10. De indbyggede litium-ion-batterier er underlagt lovkrav vedrørende farligt gods.  
Ved kommerciel transport, f.eks. af tredjeparts transportselskaber, skal særlige krav til forpakning og mærkning overholdes.  
Ved forberedelse af udstyret til forsendelse skal du kontakte en ekspert i farligt gods. Overhold også eventuel mere detaljeret national lovgivning.  
Tape eller tildæk åbne kontakter, og pak batteriet på en måde, så det ikke kan flytte sig rundt i pakningen.
11. Følg de lokale bestemmelser med hensyn til bortskaffelse af batteri.

12. Brug kun batterierne med de produkter, som er specificeret af Makita. Monteres batterierne i produkter, som ikke er kompatible, kan det muligvis resultere i brand, kraftig varmeudvikling, eksplosion eller lækage af elektrolyt.

## GEM DISSE INSTRUKTIONER.

### ⚠ FORSIGTIG: Brug kun originale batterier fra Makita.

Brug af uoriginale Makita-batterier, eller batterier som er blevet ændret, kan muligvis medføre brud på batteriet, hvilket kan forårsage brand, personskade eller beskadigelse. Det ugyldiggør også Makita-garantien for Makita-maskinen og opladeren.

### Tips til, hvordan du forlænger batteriets levetid

1. Oplad batteripakken, før den bliver helt afladet. Ophør med at bruge værktøjet, og udskift batteripakken, hvis strømmen til værktøjet aftager.
2. Oplad aldrig en fuldt opladet batteripakke. Overopladning forkorter batteriets levetid.
3. Oplad batteripakken ved stuetemperatur på 10°C - 40°C. Lad batteripakken køle ned før den oplades, hvis den er varm.
4. Oplad batteripakken, hvis du ikke skal anvende den i en længere periode (mere end seks måneder).

## FUNKTIONSBESKRIVELSE

### ⚠ FORSIGTIG:

- Sørg altid for, at maskinen er slukket, og at batteripakken er taget ud, før du justerer maskinen eller kontrollerer dens funktion.

### Montering eller afmontering af batteripakke (Fig. 1)

### ⚠ FORSIGTIG:

- Sluk altid for maskinen inden montering eller afmontering af batteripakken.
- Hold godt fast i maskinen og batteripakken, når du monterer eller afmonterer batteripakken. Hvis maskinen og batteripakken ikke holdes ordentligt fast, kan de glide ud af hænderne og resultere i skader på maskinen og batteripakken samt personskade.

Afmonter batteripakken ved at holde ned på knappen foran på batteripakken og skubbe den af maskinen. Ved montering af batteripakken justeres tungen på batteripakken med rillen i huset, hvorefter pakken skubbes ind på plads. Sæt den hele vejen ind, indtil den låses på plads med et lille klik. Hvis den røde indikator øverst på knappen er synlig, er batteripakken ikke låst helt fast.

### ⚠ FORSIGTIG:

- Sæt altid batteripakken helt ind, indtil den røde indikator ikke længere er synlig. Ellers kan den falde ud af maskinen og skade dig eller andre personer i nærheden.
- Anvend ikke kræfter ved monteringen af batteripakken. Hvis den ikke glider let ind, er den ikke indsat korrekt.

## Betjening af kontakt

### ⚠ FORSIGTIG:

- Før batteripakken installeres i maskinen, skal du altid kontrollere, at glidekontakten reagerer korrekt og vender tilbage i stillingen "OFF", når der trykkes bag på glidekontakten.
- Kontakten kan låses i "ON"-positionen for at gøre det nemmere for brugeren ved længere tids brug af maskinen. Vær forsigtig når du låser maskinen i "ON"-stillingen og hold godt fast på maskinen.

For at starte maskinen skal du skubbe glidekontakten mod "I (ON)"-stillingen ved at trykke bag på glidekontakten. For kontinuerlig betjening skal du trykke foran på glidekontakten for at låse den fast.

Når du vil stoppe maskinen, skal du trykke bag på glidekontakten og derefter trykke den mod "O (OFF)"-positionen. (Fig. 2)

## Funktion til forhindring af genstart ved et uheld

Maskinen starter ikke, selv hvis batteripakken indsættes i maskinen med glidekontakten i stillingen "I (ON)".

For at starte maskinen skal du først skubbe glidekontakten til stillingen "O (OFF)" og derefter til stillingen "I (ON)".

## Elektronisk momentkontroloffunktion

Maskinen detekterer elektronisk situationer, hvor skiven eller tilbehøret muligvis er i fare for at sidde fast. I den situation slukker maskinen automatisk for at forhindre yderligere rotation af spindlen (det forhindrer ikke tilbageslag).

For at genstarte maskinen skal du slukke for maskinen, fjerne årsagen til det pludselige tab i rotationshastighed, og derefter tænde for maskinen.

## Angivelse af den resterende batterikapacitet

### Kun til batteripakker med indikatoren (Fig. 3)

Tryk på kontrolknappen på batteripakken for at få angivet den resterende batterikapacitet. Indikatorlamperne lyser i nogle få sekunder.

Indikatorlamper			Resterende kapacitet
Tændt	Slukket	Blinker	
■	□	◐	75% til 100%
■	■	□	50% til 75%
■	■	□	25% til 50%
■	□	□	0% til 25%
◐	□	□	Oplad batteriet.
■	■	□	Der opstod muligvis funktionsfejl på batteriet.
□	□	■	

015658

### BEMÆRK:

- Afhængigt af anvendelsesforholdene og den omgivende temperatur, kan angivelsen muligvis afvige en smule fra den egentlige kapacitet.

## Angivelse af den resterende batterikapacitet

(Landespecifik) (Fig. 4)



Når du tænder for maskinen, viser batteriindikatoren den resterende batterikapacitet.

Den resterende batterikapacitet vises som den følgende tabel.

Batteriindikatorstatus			Resterende batterikapacitet
■ : Tændt	□ : Slukket	◐ : Blinker	
			50% - 100%
			20% - 50%
			0% - 20%
			Oplad batteriet

015096

## Funktion til automatisk hastighedsændring (Fig. 5)

Tilstandsindikatorstatus	Driftstilstand
	Højhastighedstilstand
	Højt moment-tilstand

015098

Denne maskine har en "højhastighedstilstand" og en "højt moment-tilstand". Den skifter automatisk driftstilstanden afhængigt af arbejdsbelastningen. Når tilstandsindikatoren lyser under driften, er maskinen i højt moment-tilstand.

## Maskin-/batteribeskyttelsessystem

Maskinen er udstyret med et maskin-/batteribeskyttelsessystem. Dette system slukker automatisk for strømmen til motoren for at forlænge maskin- og batterilevetiden.





Maskinen stopper automatisk under anvendelsen, hvis maskinen eller batteriet udsættes for en af de følgende situationer. I visse situationer lyser indikatoren.

### Overbelastningsbeskyttelse

Når maskinen anvendes på en måde, der får den til at trække unormalt meget strøm, standser maskinen automatisk uden nogen indikationer. I denne situation skal du slukke for maskinen og standse den anvendelse, som gjorde maskinen overbelastet. Tænd derefter på maskinen for starte igen.

### Overophedningsbeskyttelse for maskine

Når maskinen overophedes, stopper maskinen automatisk, og batteriindikatoren viser den følgende tilstand. I denne situation skal du lade maskinen køle af, inden du tænder for maskinen igen.

Batteriindikator	 : Tændt	 : Slukket	 : Blinker
	Maskinen er overophedet		

015140

### Ophævelse af beskyttelselås

Når beskyttelsessystemet aktiveres gentagne gange, låses maskinen, og batteriindikatoren viser den følgende tilstand.

Batteriindikator	 : Tændt	 : Slukket	 : Blinker
	Beskyttelselås aktiveret		

015200

I denne situation starter maskinen ikke, selv hvis du slukker og tænder for maskinen. For at ophæve beskyttelselåsen skal du tage batteriet ud, sætte det ind i batteriopladeren, og vente indtil opladningen er færdig.

## Aksellås

### ⚠ FORSIGTIG:

- Udlås aldrig aksellåsen, mens spindelen bevæger sig. Dette kan beskadige maskinen.

Tryk på aksellåsen for at forhindre, at spindelen roterer, mens du monterer eller afmonterer tilbehør. (Fig. 6)

## MONTERING

### ⚠ FORSIGTIG:

- Sørg altid for, at maskinen er slukket, og at batteripakken er taget ud, før du udfører nogen form for arbejde på maskinen.

### Montering af sidegreb (håndtag)

#### ⚠ FORSIGTIG:

- Sørg altid for, at sidegrebet er korrekt monteret før brugen.

Skru sidegrebene godt på plads på maskinen som vist i figuren. (Fig. 7)

### Montering eller afmontering af beskyttelsesskærm (til forsænket centerslibeskiye, multidisk/ vinkelslibeskiye, diamantskiye)

#### ⚠ ADVARSEL:

- Ved brug af en forsænket centerslibeskiye/multidisk, flexskive, skivetrådbørste, vinkelslibeskiye eller diamantskiye skal beskyttelsesskærmen monteres på maskinen, så den lukkede side af skærmen altid vender mod operatøren.
- Ved brug af en vinkelslibeskiye/diamantskiye skal du sørge for kun at benytte den særlige beskyttelsesskærm, der er beregnet til brug med slibeskiver. (I visse europæiske lande kan den almindelige beskyttelsesskærm anvendes ved brug af en diamantskiye. Du skal følge bestemmelserne i dit land.)

### Til værktøjer med beskyttelsesskærm af håndtagstypen

Løsn håndtaget på beskyttelsesskærmen, efter at du har løsnet skruen. Montér beskyttelsesskærmen, så fremspringet på båndet på skærmen er justeret med indhakked på kuglelejevoksen. Roter derefter beskyttelsesskærmen hen på en sådan vinkel at den kan beskytte operatøren i henhold til arbejdet. (Fig. 8) Stram håndtaget for at låse beskyttelsesskærmen fast. Hvis håndtaget sidder for stramt eller for løst til at fastgøre beskyttelsesskærmen, løsnes eller strammes skruen for at indstille stramningen af båndet på skærmen. (Fig. 9) Følg fremgangsmåden til montage i omvendt rækkefølge for at afmontere beskyttelsesskærmen.

### Til værktøjer med beskyttelsesskærm af låseskruetypen (Fig. 10)

Montér beskyttelsesskærmen, så fremspringene på båndet på beskyttelsesskærmen er justeret ind med mærkerne på kuglelejevoksen. Drej derefter beskyttelsesskærmen 180° mod uret. Sørg for at stramme skruen godt.

Følg fremgangsmåden til montering i omvendt rækkefølge for at afmontere beskyttelsesskærmen.

## Montering eller afmontering af forsænket centerslibeskive eller flapdisk (fås som tilbehør)

### ADVARSEL:

- Ved brug af en forsænket centerslibeskive eller flapdisk skal beskyttelsesskærmen monteres på maskinen, så den lukkede side af skærmen altid vender mod operatøren.
- Udløs kun aksellåsen, når spindelen ikke bevæger sig. Montér den indre flange på spindelen. Montér skiven/disken på den indre flange, og skru sikringsmøtrikken på spindelen. (Fig. 11)

For at stramme sikringsmøtrikken trykkes der fast på aksellåsen, så spindelen ikke kan dreje rundt. Brug derefter skruenøglen til sikringsmøtrikken til at stramme godt med uret. (Fig. 12)

Følg fremgangsmåden til montering i omvendt rækkefølge for at afmontere skiven.

## Montering eller afmontering af Ezynut (fås som tilbehør)

### FORSIGTIG:

- Brug ikke Ezynut sammen med en superflange eller vinkelsliber med "F" til sidst i modelnummeret. Disse flanger er så tykke, at spindlen ikke kan holde hele gevinddelen.

Monter den indre flange, slibeskiven og Ezynut på spindlen så Makita-logoet på Ezynut'en vender udad.

(Fig. 13)

Hold et fast tryk på aksellåsen og spænd Ezynut'en ved at dreje slibeskiven så langt med uret som muligt.

Drej yderringen på Ezynut mod uret for løsne den.

(Fig. 14)

### BEMÆRK:

- Ezynut kan løsnes med håndkraft så længe pilen peger mod indhakked. Ellers kræves der en skruenøgle til at løsne den. Sæt skruenøglens ene ben ind i et hul og drej Ezynut'en mod uret. (Fig. 15 og 16)

## Montering og afmontering af flex-skive

### Ekstraudstyr

### ADVARSEL:

- **Brug altid den medfølgende beskyttelsesskærm, når flex-skiven er monteret på maskinen.** Skiven kan brække under brugen, og beskyttelsesskærmen bidrager til at reducere risikoen for tilskadekomst. (Fig. 17)

Følg instruktionerne for den forsænkede centerskive, men brug også bagskiven over skiven. Se rækkefølgen for samling på siden med beskrivelse af tilbehør i denne brugsanvisning.

## Montering eller afmontering af slibedisk (fås som tilbehør) (Fig. 18)

Montér gummimåtten på spindelen. Montér disken på den gummimåtten, og skru sikringsmøtrikken på spindelen. For at stramme sikringsmøtrikken trykkes der fast på

aksellåsen, så spindelen ikke kan dreje rundt. Brug derefter skruenøglen til sikringsmøtrikken til at stramme godt mod uret. Følg fremgangsmåden til montering i omvendt rækkefølge for at afmontere disken.

### BEMÆRK:

- Brug af slibetilbehør specificeret i denne brugsanvisning. Disse skal anskaffes separat.

## BETJENING

### ADVARSEL:

- Det bør aldrig være nødvendigt at anvende magt på maskinen. Maskinens egen vægt sørger for det nødvendige tryk. Tvang og kraftigt tryk kan medføre farlig beskadigelse af skiven.
- Udskift ALTID skiven, hvis maskinen tabes under slibning.
- Stød eller slå ALDRIG disken eller skiven mod arbejdsemnet.
- Undgå at støde og vride skiven, især ved arbejde på hjørner, skarpe kanter osv. Det kan medføre tab af kontrollen og tilbageslag.
- Anvend ALDRIG maskinen med klinger til skæring i træ og andre savklinger. Ved brug på en sliber forårsager sådanne klinger ofte tilbageslag og tab af kontrollen, hvilket kan resultere i personskade.

### FORSIGTIG:

- Tænd aldrig for maskinen, mens det er i kontakt med arbejdsemnet. Operatøren kan komme til skade.
- Bær altid beskyttelsesbriller eller ansigtsmaske under brugen.
- Efter brugen skal du altid slukke for maskinen og vente, indtil skiven er stoppet helt, før du lægger maskinen fra dig.

## Anvendelse til vinkelslibning og slibning (Fig. 19)

Hold ALTID godt fast i maskinen med den ene hånd på motorhuset og den anden hånd på sidehåndtaget. Tænd for maskinen, og sæt derefter skiven eller disken mod arbejdsemnet.

Skiven eller disken skal som regel holdes i en vinkel på cirka 15 grader mod overfladen af arbejdsemnet. Under indkøring af en ny skive må sliberen ikke anvendes i retningen B, da den ellers vil skære ned i arbejdsemnet. Når kanten af skiven er blevet rundet af ved brug, kan skiven benyttes i både A- og B-retningen.

## Anvendelse med slibende afskæringsskive/diamantskive

### Ekstraudstyr

### ADVARSEL:

- **Ved brug af en slibende afskæringsskive/diamantskive skal man sørge for kun at anvende den særlige beskyttelsesskærm, der er beregnet til brug med afskæringsskiver.**

(I nogle lande i Europa kan den almindelige beskyttelsesskærm anvendes, når man anvender en diamantskive. Følg bestemmelserne for det pågældende land.)



- Anvend **ALDRIG** en afskæringsskive til sideslibning.
- Vær påpasselig med ikke at "klemme" skiven eller udsætte den for ekstremt tryk. Forsøg ikke at lave et snit af ekstrem dybde. Et for stort pres på skiven vil øge belastningen og risikoen for at skiven vrider eller binder i snittet samt risikoen for tilbageslag, brud på skiven og overophedning af motoren.
- **Begynd ikke skæringen i arbejdsområdet. Lad skiven komme op på fuld hastighed og gå omhyggeligt ind i snittet, idet maskinen bevæges fremad over arbejdsområdets overflade.** Skiven kan binde, presses op eller give tilbageslag, hvis maskinen startes i arbejdsområdet.
- **Under skæring må man aldrig ændre skivens vinkel.** Hvis man øver sidelæns tryk på afskæringsskiven (som ved slibning), vil det bevirke, at skiven revner eller brækker med alvorlig tilskadekomst til følge.
- **En diamantskive skal anvendes vinkelret på det materiale, der skæres i. (Fig. 20)**

Med hensyn til monteringen skal instruktionerne for forsænkede centerskiver følges.

**Retningen for montering af låsemøtrikken og den indvendige flange afhænger af skivetyper og -tykkelsen.**

Se de følgende figurer.

## For 100 mm model

Når den slibende afskæringsskive monteres: (Fig. 21)

Når diamantskiven monteres: (Fig. 22)

## For 115 mm/125 mm model

Når den slibende afskæringsskive monteres: (Fig. 23)

Når diamantskiven monteres: (Fig. 24)

## Anvendelse af koptrådbørste (fås som tilbehør)

### ⚠ FORSIGTIG:

- Kontroller funktionen af børsten ved at køre maskinen uden belastning, mens du sikrer dig, at der ikke er nogen foran eller på linje med børsten.
- Anvend ikke en beskadiget børste, eller en der ikke er afbalanceret. Anvendelse af en beskadiget børste kan forøge den potentielle skaderisiko pga. kontakt med knækkede børstetråde.

Tag batteripakken ud af maskinen og placer den på hovedet, så der er nem adgang til spindelen. Fjern alt tilbehør på spindelen. Skru koptrådbørsten på spindelen og spænd til med den medfølgende skruenøgle. Ved brug af børsten skal unødigt tryk undgås, da det får trådene til at bøje og medfører, at børsten går for hurtigt i stykker. (Fig. 25)

## Anvendelse af skivetrådbørste (fås som tilbehør)

### ⚠ FORSIGTIG:

- Kontroller funktionen af skivetrådbørsten ved at køre maskinen uden belastning, mens du sikrer dig, at der ikke er nogen foran eller på linje med skivetrådbørsten.

- Anvend ikke en beskadiget skivetrådbørste, eller en der ikke er afbalanceret. Anvendelse af en beskadiget skivetrådbørste kan forøge den potentielle skaderisiko pga. kontakt med knækkede tråde.
- Anvend **ALTID** beskyttelseskærmen sammen med skivetrådbørster, hvis skivediameteren passer inden i skærmen. Skiven kan splintres under brug, og skærmen hjælper med at forebygge personskade.

Tag batteripakken ud af maskinen og placer den på hovedet, så der er nem adgang til spindelen. Fjern alt tilbehør på spindelen. Skru skivetrådbørsten på spindelen og spænd til med skruenøglerne. (Fig. 26)  
Ved brug af skivetrådbørsten skal unødigt tryk undgås, da det får trådene til at bøje og medfører, at børsten går for hurtigt i stykker.

## VEDLIGEHOLDELSE

### ⚠ FORSIGTIG:

- Sørg altid for, at maskinen er slukket, og at batteripakken er taget ud, før du forsøger at udføre inspektion eller vedligeholdelse.
- Brug aldrig benzin, benzen, fortynder eller lignende. Det kan muligvis medføre misfarvning, deformation eller revner.

Maskinen og ventilationsåbningerne skal holdes rene. Rengør maskinens ventilationsåbninger regelmæssigt, eller når åbningerne begynder at blive tilstoppede. (Fig. 27)

Afmonter støvdækslet fra indsnugsåbningen og rengør det for problemfri luftcirkulation. (Fig. 28)

### BEMÆRK:

- Rengør støvdækslet når det er tilstoppet med støv eller fremmedlegemer. Fortsæt brug med et tilstoppet støvdæksel kan muligvis medføre skade på maskinen.
- For at holde produktet SIKKERT og PÅLIDELIGT skal reparationer samt al anden vedligeholdelse eller justering udføres af autoriserede Makita-servicecentre, og der skal altid benyttes Makita-reservedele.

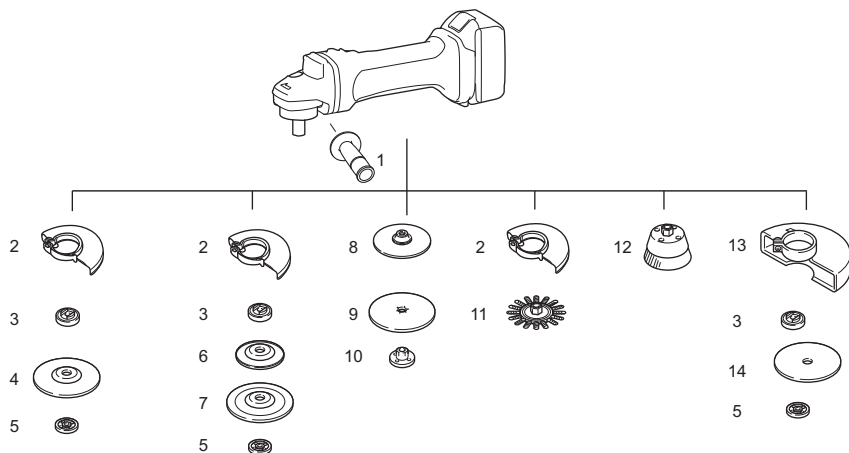
## EKSTRAUDSTYR

### ⚠ FORSIGTIG:

- Dette tilbehør eller ekstraudstyr anbefales til brug med det Makita-værktøj, som er beskrevet i denne brugsanvisning. Brug af andet tilbehør eller ekstraudstyr kan forårsage personskade. Brug kun tilbehør eller ekstraudstyr til det formål, det er beregnet til.

Henvend dig til dit lokale Makita-servicecenter, hvis du har brug for hjælp eller yderligere oplysninger vedrørende tilbehøret.

- Originalt batteri og oplader fra Makita



	100 mm model	115 mm model	125 mm model
1	Håndtag 36		
2	Beskyttelsesskærm (til slibeskive)		
3	Indvendig flange	Indvendig flange/Superflange *1*2	Indvendig flange/Superflange
4	Forsænket centerskive/bladdisk		
5	Låsemøtrik	Låsemøtrik/Ezynut *1*2	Låsemøtrik/Ezynut *2
6	Bagskive		
7	Flex-skive		
8	Gummipude 76	Gummipude 100	Gummipude 115
9	Slibedisk		
10	Sandslibelåsemøtrik		
11	Trådslibebørste		
12	Trådkopbørste		
13	Beskyttelsesskærm (til afskæringsskive) *3		
14	Slibende afskæringsskive/diamantskive		
-	Låsemøtriknøgle		

Bemærk:

\*1 Kun for maskiner med M14-spindelgevind.

\*2 Brug ikke Superflangen og Ezynut sammen.

\*3 I nogle lande i Europa kan den almindelige beskyttelsesskærm anvendes i stedet for den specielle beskyttelsesskærm, som dækker begge sider af skiven, når man anvender en diamantskive. Følg bestemmelserne i det pågældende land.

015100-2

**BEMÆRK:**

- Visse dele på listen er muligvis indeholdt maskinindpakningen som standardtilbehør. De kan variere fra land til land.

## Støj

ENG905-1

Det typiske A-vægtede støjniveau bestemt i overensstemmelse med EN60745:

### Model DGA404

Lydtryksniveau ( $L_{pA}$ ): 80 dB (A)  
Lydeffektniveau ( $L_{WA}$ ): 91 dB (A)  
Usikkerhed (K): 3 dB (A)

### Model DGA454, DGA504

Lydtryksniveau ( $L_{pA}$ ): 79 dB (A)  
Usikkerhed (K): 3 dB (A)

Støjniveauet under arbejdet kan være større end 80 dB (A).

### Bær høreværn.

## Vibration

ENG900-1

Den samlede vibrationsværdi (treaksial vektorsum) bestemt i overensstemmelse med EN60745:

### Model DGA404

Arbejdstilstand: overfladeslibning med normalt sidegreb

Vibrationsemission ( $a_{h,AG}$ ): 4,5 m/s<sup>2</sup>  
Usikkerhed (K): 1,5 m/s<sup>2</sup>

Arbejdstilstand: overfladeslibning med normalt sidegreb

Vibrationsemission ( $a_{h,AG}$ ): 4,0 m/s<sup>2</sup>  
Usikkerhed (K): 1,5 m/s<sup>2</sup>

Arbejdstilstand: sandslibning med disk

Vibrationsemission ( $a_{h,DS}$ ): 2,5 m/s<sup>2</sup> eller mindre  
Usikkerhed (K): 1,5 m/s<sup>2</sup>

### Model DGA454, DGA504

Arbejdstilstand: overfladeslibning med normalt sidegreb

Vibrationsemission ( $a_{h,AG}$ ): 6,5 m/s<sup>2</sup>  
Usikkerhed (K): 1,5 m/s<sup>2</sup>

Arbejdstilstand: overfladeslibning med normalt sidegreb

Vibrationsemission ( $a_{h,AG}$ ): 6,0 m/s<sup>2</sup>  
Usikkerhed (K): 1,5 m/s<sup>2</sup>

Arbejdstilstand: sandslibning med disk

Vibrationsemission ( $a_{h,DS}$ ): 2,5 m/s<sup>2</sup> eller mindre  
Usikkerhed (K): 1,5 m/s<sup>2</sup>

ENG902-1

- Den opgivne vibrationsemissionsværdi er målt i overensstemmelse med standardtestmetoden og kan bruges til at sammenligne et værktøj med et andet.
- Den opgivne vibrationsemissionsværdi kan muligvis også bruges til en indledende eksponeringsvurdering.
- Den opgivne vibrationsemissionsværdi gælder, når maskinen benyttes til dens hovedfunktioner. Men hvis maskinen bruges til andre formål, vil vibrationsemissionsværdien muligvis være en anden.

### ADVARSEL:

- Vibrationsemissionen under den faktiske brug af maskinen kan afvige fra den opgivne emissionsværdi afhængigt af den måde, maskinen anvendes på.
- Sørg for at bestemme sikkerhedsforanstaltninger for beskyttelse af operatøren, som er baseret på en eksponeringsvurdering for brug under faktiske forhold (hvor alle anvendelsescyklussens dele inddrages, som f.eks. antal gange maskinen slukkes, og når den kører i tomgang ud over triggertiden).

## EF-overensstemmelseserklæring

### Kun for europæiske lande

EF-overensstemmelseserklæringen er inkluderet som appendiks A til denne betjeningsvejledning.

## ΕΛΛΗΝΙΚΑ (Πρωτογενείς οδηγίες)

### Περιγραφή γενικής όψης

- |                                  |  |   |
|----------------------------------|--|---|
| 1. Κουμπί                        | 16. Εσωτερική φλάντζα                            | 29. Προφυλακτήρας λειαντικού τροχού κοπής/διαμαντινίου τροχού |
| 2. Κόκκινη ένδειξη               | 17. Κλειδί ασφαλιστικού παξιμαδιού               | 30. Τροχός λείανσης κοπής (πάχος μικρότερο από 4 mm)          |
| 3. Κασέτα μπαταρίας              | 18. Ezyput                                       | 31. Τροχός λείανσης κοπής (4 mm ή μεγαλύτερου πάχους)         |
| 4. Συρόμενος διακόπτης           | 19. Λειαντικός τροχός                            | 32. Διαμαντοτροχός (πάχος μικρότερο από 4 mm)                 |
| 5. Ενδεικτικές λυχνίες           | 20. Ατρακτος                                     | 33. Διαμαντοτροχός (4 mm ή μεγαλύτερου πάχους)                |
| 6. Κουμπί ελέγχου                | 21. Βέλος  | 34. Κυπελλοειδής συρματόβουρτσα                               |
| 7. Δείκτης μπαταρίας             | 22. Εγκοπή                                       | 35. Συρματόβουρτσα τροχού                                     |
| 8. Ενδεικτική λυχνία λειτουργίας | 23. Τροχός πολλαπλών χρήσεων                     | 36. Άνοιγμα εξαέρωσης   |
| 9. Κλειδίωμα άξονα               | 24. Πέλιμα υποστήριξης                           | 37. Άνοιγμα εισόδου αέρα                                      |
| 10. Προφυλακτήρας τροχού         | 25. Ασφαλιστικό παξιμάδι λείανσης                | 38. Κάλυμμα σκόνης  |
| 11. Κιβώτιο ρουλεμάν             | 26. Λειαντικός δίσκος                            |   |
| 12. Βίδα                         | 27. Λαστιχένιο επίθεμα                           |   |
| 13. Μοχλός                       | 28. Λειαντικός τροχός κοπής/ διαμαντινίου τροχός |   |
| 14. Ασφαλιστικό παξιμάδι         |  |   |
| 15. Τροχός χαμηλωμένου κέντρου   |  |   |

## ΠΡΟΔΙΑΓΡΑΦΕΣ

Μοντέλο		DGA404	DGA454	DGA504
Διάμετρος τροχού		100 mm (4")	115 mm (4-1/2")	125 mm (5")
Μέγιστο πάχος τροχού		6,4 mm (1/4")	6,4 mm (1/4")	6,4 mm (1/4")
Σπείρωμα ατράκτου		M10	M14 ή 5/8" (εξαρτάται από τη χώρα)	
Ονομαστική ταχύτητα (n)/Ταχύτητα χωρίς φορτίο (n <sub>0</sub> )		8.500 min <sup>-1</sup>		
Ολικό μήκος	Με κασέτα μπαταρίας BL1815N, BL1820, BL1820B	348 mm		
	Με κασέτα μπαταρίας BL1830, BL1830B, BL1840, BL1840B, BL1850, BL1850B, BL1860B	362 mm		
Καθαρό βάρος	Με κασέτα μπαταρίας BL1815N, BL1820, BL1820B	2,2 kg	2,3 kg	2,3 kg
	Με κασέτα μπαταρίας BL1830, BL1830B, BL1840, BL1840B, BL1850, BL1850B, BL1860B	2,4 kg	2,5 kg	2,5 kg
Ονομαστική τιμή τάσης		D.C. 18 V		

- Λόγω του συνεχόμενου προγράμματος που εφαρμόζουμε για έρευνα και ανάπτυξη, τα τεχνικά χαρακτηριστικά στο παρόν έντυπο υπόκεινται σε αλλαγή χωρίς προειδοποίηση.
- Τα τεχνικά χαρακτηριστικά και η μπαταρία ενδέχεται να διαφέρουν από χώρα σε χώρα.
- Βάρος μαζί με την μπαταρία σύμφωνα με τη διαδικασία της EPTA 01/2003

### Προοριζόμενη χρήση

ENE048-1

Το εργαλείο προορίζεται για τρόχισμα, λείανση και κοπή μεταλλικών και πέτρινων υλικών χωρίς τη χρήση νερού.

## Γενικές Προειδοποιήσεις Ασφαλείας Του Ηλεκτρικού Εργαλείου

GEA010-1

**⚠ ΠΡΟΕΙΔΟΠΟΙΗΣΗ Διαβάστε όλες τις προειδοποιήσεις ασφαλείας και όλες τις οδηγίες.** Αν δεν ακολουθήσετε όλες τις προειδοποιήσεις και τις οδηγίες, υπάρχει κίνδυνος ηλεκτροπληξίας, πυρκαγιάς ή/και σοβαρού τραυματισμού.

## Φυλάξτε όλες τις προειδοποιήσεις και τις οδηγίες για μελλοντική αναφορά.

## ΠΡΟΕΙΔΟΠΟΙΗΣΕΙΣ ΑΣΦΑΛΕΙΑΣ ΦΟΡΗΤΟΥ ΤΡΟΧΟΥ

GEB059-4

Προειδοποιήσεις Ασφάλειας που Συνηθίζονται για Τρόχισμα, Λείανση, Χρήση Συρματόβουρτσας ή Λειαντικές Εργασίες Κοπής:

1. Αυτό το ηλεκτρικό εργαλείο προορίζεται για να λειτουργεί ως εργαλείο τρόχισματος, λείανσης, συρματόβουρτσας ή κοπής. Διαβάστε όλες τις προειδοποιήσεις ασφαλείας, τις οδηγίες, τις εικόνες και τις προδιαγραφές που παρέχονται με αυτό το ηλεκτρικό εργαλείο. Αν δεν ακολουθήσετε όλες τις οδηγίες που παρατίθενται παρακάτω, υπάρχει κίνδυνος ηλεκτροπληξίας, πυρκαγιάς ή/και σοβαρού τραυματισμού.
2. Δεν συνιστάται η πραγματοποίηση εργασιών όπως το γυάλισμα με αυτό το ηλεκτρικό εργαλείο. Αν χρησιμοποιηθεί το ηλεκτρικό εργαλείο για εργασίες

- για τις οποίες δεν έχει σχεδιαστεί, ενδεχομένως να προκληθεί κίνδυνος και προσωπικός τραυματισμός.
3. **Μην χρησιμοποιείτε εξαρτήματα που δεν είναι ειδικά σχεδιασμένα από τον κατασκευαστή του εργαλείου και τα οποία δεν συνιστά ο κατασκευαστής του εργαλείου.** Αν και είναι δυνατό να προσαρτηθεί ένα εξάρτημα στο ηλεκτρικό εργαλείο σας, αυτό δεν σημαίνει ότι μπορεί να λειτουργεί με ασφάλεια.
  4. **Η ονομαστική ταχύτητα του εξαρτήματος πρέπει να είναι τουλάχιστον ίση με τη μέγιστη ταχύτητα που αναγράφεται στο ηλεκτρικό εργαλείο.** Τα εξαρτήματα που λειτουργούν με ταχύτερη υψηλότερη από την ονομαστική ταχύτητά τους μπορεί να σπάσουν και να εκτιναχθούν τα μέρη τους.
  5. **Η εξωτερική διάμετρος και το πάχος του εξαρτήματος σας πρέπει να βρίσκονται εντός των δυνατοτήτων του ηλεκτρικού εργαλείου σας.** Τα εξαρτήματα που λανθασμένο μέγεθος δεν προστατεύονται ούτε ελέγχονται ικανοποιητικά.
  6. **Το σπείρωμα για τη στερέωση των εξαρτημάτων πρέπει να ταιριάζει με το σπείρωμα της ατράκτου του τροχού.** Για εξαρτήματα που στερεώνονται με φλάντζες, η τρύπα του άξονα του εξαρτήματος πρέπει να ταιριάζει με τη διάμετρο έδρασης της φλάντζας. Τα εξαρτήματα που δεν ταιριάζουν με τον εξοπλισμό στερέωσης του ηλεκτρικού εργαλείου θα λειτουργούν ιδιόρρυθμα, προκαλώντας υπερβολικούς κραδασμούς και ενδεχομένως απώλεια ελέγχου.
  7. **Μην χρησιμοποιείτε εξαρτήματα που έχουν υποστεί βλάβη.** Πριν από κάθε χρήση να ελέγχετε τα εξαρτήματα, για παράδειγμα, τους λιπαντικούς τροχούς για θραύσματα και ραγίσματα, τα επιθέματα στήριξης για ραγίσματα, σχισίματα ή υπερβολική φθορά, τη συρματοβούρτσα για χαλαρά ή ραγισμένα σύρματα. Αν το ηλεκτρικό εργαλείο ή ένα εξάρτημα πέσει κάτω, ελέγξτε για ζημιές ή εγκαταστήστε ένα εξάρτημα που δεν έχει υποστεί βλάβη. Μετά την εξέταση και την εγκατάσταση ενός εξαρτήματος, παραμεινετε σεις και οι παρευρισκόμενοι μακριά από το επίπεδο του περιστρεφόμενου εξαρτήματος και λειτουργήστε το ηλεκτρικό εργαλείο στη μέγιστη ταχύτητα χωρίς φορτίο για ένα λεπτό. Τα εξαρτήματα που έχουν υποστεί βλάβη, συνήθως σπάνε κατά τη διάρκεια αυτής της δοκιμής.
  8. **Να φοράτε προσωπικό προστατευτικό εξοπλισμό.** Ανάλογα με την εφαρμογή, να χρησιμοποιείτε προσωπίδα, προστατευτικά ματιών ή προστατευτικά γυαλιά. Αν είναι απαραίτητο, να φοράτε προσωπίδα κατά της σκόνης, γυαλιά, γάντια και φόρμα συνεργείου που έχουν τη δυνατότητα να σταματούν την κίνηση μικρών θραυσμάτων που προέρχονται από τη λείανση ή το τεμάχιο εργασίας. Ο προστατευτικός εξοπλισμός για τα μάτια πρέπει να έχει τη δυνατότητα να σταματά την κίνηση των εκτινασόμενων θραυσμάτων που δημιουργούνται από τις διάφορες εργασίες. Η προσωπίδα κατά της σκόνης ή ο αντανευστήρας πρέπει να έχει τη δυνατότητα να φιλτράρει τα σωματίδια που δημιουργούνται από την εργασία που εκτελείται. Η παρατεταμένη έκθεση σε θόρυβο υψηλής έντασης μπορεί να προκαλέσει απώλεια ακοής.
  9. **Να απομακρύνετε τους μη έχοντες εργασία σε ασφαλή απόσταση από το χώρο εργασίας.** Κάθε άτομο που εισέρχεται στο χώρο εργασίας πρέπει να φορά προσωπικό προστατευτικό εξοπλισμό. Μπορεί να εκτιναχθούν θραύσματα από το τεμάχιο εργασίας ή από ένα σπασμένο εξάρτημα και να προκαλέσουν τραυματισμό σε άτομα που βρίσκονται μακριά από την άμεση περιοχή της εργασίας.
  10. **Να κρατάτε το ηλεκτρικό εργαλείο μόνο από τις μονωμένες λαβές όταν εκτελείτε εργασίες κατά τις οποίες το κοπτικό εργαλείο μπορεί να έρθει σε επαφή με κρυμμένα καλώδια.** Αν υπάρχει επαφή με κάποιο ηλεκτροφόρο καλώδιο, τα εκτεθειμένα μεταλλικά μέρη του ηλεκτρικού εργαλείου θα γίνουν κι αυτά ηλεκτροφόρα και μπορεί να προκληθεί ηλεκτροπληξία στο χειριστή.
  11. **Ποτέ να μην τοποθετείτε κάτω το ηλεκτρικό εργαλείο έως ότου το εξάρτημα σταματήσει τελείως.** Το περιστρεφόμενο εξάρτημα ενδεχομένως να πισωθεί στην επιφάνεια και να χάσετε τον έλεγχο του ηλεκτρικού εργαλείου.
  12. **Μη λειτουργείτε το ηλεκτρικό εργαλείο όσο το μεταφέρετε στο πλάι σας.** Η τυχαία επαφή με το περιστρεφόμενο εξάρτημα μπορεί να έχει ως αποτέλεσμα να πισωθούν τα ρούχα σας και το εξάρτημα να τραβηχτεί προς το σώμα σας.
  13. **Να καθαρίζετε τακτικά τα ανοίγματα εξαερισμού του ηλεκτρικού εργαλείου.** Ο ανεμιστήρας του μοτέρ τραβεί τη σκόνη στο σωτηρικό του περιβλήματος και η υπερβολική συσσώρευση μετάλλου σε μορφή σκόνης ενδεχομένως να προκαλέσει κίνδυνο ηλεκτροπληξίας.
  14. **Μην βέτετε σε λειτουργία το ηλεκτρικό εργαλείο κοντά σε εύφλεκτα υλικά.** Οι σπινθήρες μπορούν να προκαλέσουν ανάφλεξη αυτών των υλικών.
  15. **Μην χρησιμοποιείτε εξαρτήματα που απαιτούν υγρά ψυκτικά.** Η χρήση νερού ή άλλων υγρών ψυκτικών μπορεί να έχει ως αποτέλεσμα την ηλεκτροπληξία.
- Κλώσημα και σχετικές προειδοποιήσεις**  
Το κλώσημα είναι μια ξαφνική αντίδραση όταν αποκοπεί ή σκαλώσει ο περιστρεφόμενος τροχός, το επίθεμα στήριξης, η βούρτσα ή κάποιο άλλο εξάρτημα. Η αποκοπή ή το σκάλωμα προκαλεί την απότομη εμπλοκή του περιστρεφόμενου εξαρτήματος, το οποίο με τη σειρά του προκαλεί την κίνηση του ανεξέλεγκτου ηλεκτρικού εργαλείου προς την αντίθετη κατεύθυνση της περιστροφής του εξαρτήματος στο σημείο της εμπλοκής. Για παράδειγμα, αν ένας λιπαντικός τροχός αποκοπεί ή σκαλώσει στο τεμάχιο εργασίας, το άκρο του τροχού που εισέρχεται στο σημείο αποκοπής μπορεί να σκάψει μέσα στην επιφάνεια του υλικού και να έχει ως αποτέλεσμα ο τροχός να εξέλθει από αυτό ή να κλωτσήσει. Ο τροχός μπορεί να πεταχτεί προς το χειριστή ή μακριά από αυτόν, ανάλογα με την κατεύθυνση κίνησης του τροχού στο σημείο της αποκοπής. Οι λιπαντικοί τροχοί μπορεί και να σπάσουν κάτω από αυτές τις συνθήκες.  
Το κλώσημα προκαλείται όταν το ηλεκτρικό εργαλείο χρησιμοποιείται λανθασμένα ή/και όταν οι διαδικασίες ή οι συνθήκες λειτουργίας είναι λανθασμένες, ενώ μπορεί να αποφευχθεί αν ληφθούν οι κατάλληλες προφυλάξεις που αναφέρονται παρακάτω.
- a) **Να κρατάτε το ηλεκτρικό εργαλείο γερά και να τοποθετείτε το σώμα και τους βραχιόνες σας έτσι**

ώστε να μπορείτε να αντισταθείτε στις δυνάμεις του κλωστήματος. Να χρησιμοποιείτε πάντα τη βοηθητική λαβή, αν παρέχεται, για μέγιστο έλεγχο κατά του κλωστήματος ή της αντίδρασης ροπής κατά την έναρξη της λειτουργίας. Ο χειριστής μπορεί να ελέγξει τις αντιδράσεις ροπής ή τις δυνάμεις κλωστήματος αν λάβει τις κατάλληλες προφυλάξεις.

b) **Μην τοποθετείτε ποτέ τα χέρια σας κοντά στο περιστρεφόμενο εξάρτημα.** Το εξάρτημα μπορεί να κλωστήσει επάνω από το χέρι σας.

c) **Μην τοποθετείτε το σώμα σας στην περιοχή που θα κινηθεί το ηλεκτρικό εργαλείο στην περίπτωση που αυτό κλωστήσει.** Το κλώστημα θα προωθησει το εργαλείο προς την αντίθετη κατεύθυνση της κίνησης του τροχού στο σημείο του σκαλώματος.

d) **Να είστε ιδιαίτερα προσεκτικοί όταν εργάζεστε σε γωνίες, αιχμηρές άκρες, κτλ. Να αποφεύγετε την αναπήδηση και το σκάλωμα του εξαρτήματος.** Οι γωνίες, οι αιχμηρές άκρες ή η αναπήδηση έχουν την τάση να σκαλώνουν το περιστρεφόμενο εξάρτημα και να προκαλούν την απώλεια ελέγχου ή το κλώστημα.

e) **Μην προσαρτάτε μια λάμα αλυσοπρίονου για ξύλο ή οδοντωτή λάμα.** Τέτοιες λάμες δημιουργούν συχνά κλώσματα και απώλεια του ελέγχου.

#### **Ειδικές Προειδοποιήσεις Ασφάλειας για Τρόχισμα και Λειαντικές Εργασίες Κοπής:**

a) **Να χρησιμοποιείτε μόνο είδη τροχών που συνιστώνται για το ηλεκτρικό εργαλείο σας και να χρησιμοποιείτε τον ειδικό προφυλακτήρα που έχει σχεδιαστεί για τον επιλεγμένο τροχό.** Οι τροχοί για τους οποίους δεν είναι σχεδιασμένοι το ηλεκτρικό εργαλείο δεν μπορούν να προστατευτούν ικανοποιητικά και είναι ανασφαλείς.

b) **Η λειαντική επιφάνεια των τροχών με χαμηλωμένο κέντρο πρέπει να στερεωθεί κάτω από το επίπεδο του άκρου του προφυλακτήρα.** Ένας λανθασμένα τοποθετημένος τροχός που προεξέχει από το επίπεδο του άκρου του προφυλακτήρα δεν μπορεί να προστατευθεί επαρκώς.

c) **Ο προφυλακτήρας πρέπει να προσαρτηθεί με ασφάλεια στο ηλεκτρικό εργαλείο και να τοποθετηθεί ώστε να παρέχει μέγιστη ασφάλεια, με τρόπο ώστε ο χειριστής να είναι εκτεθειμένος σε όσο το δυνατό μικρότερο μέρος του τροχού.** Ο προφυλακτήρας βοηθά στην προστασία του χειριστή από σπασμένα τμήματα του τροχού, ακούσια επαφή με τον τροχό και από τους σπινθήρες που μπορούν να προκαλέσουν ανάφλεξη του ρουχισμού.

d) **Πρέπει να χρησιμοποιείτε τους τροχούς μόνο για τις συνιστώμενες εφαρμογές. Για παράδειγμα: μην τροχίζετε με την πλευρά του τροχού κοπής.** Οι λειαντικοί τροχοί κοπής προορίζονται για περιφερειακό τρόχισμα, οι πλευρικές δυνάμεις που ασκούνται σε αυτούς τους τροχούς ενδεχομένως να προκαλέσουν το θρυμματισμό τους.

e) **Να χρησιμοποιείτε πάντα φλάντζες τροχού με το σωστό μέγεθος και σχήμα για τον επιλεγμένο τροχό σας, οι οποίες δεν έχουν υποστεί βλάβη.** Οι σωστές φλάντζες τροχού υποστηρίζουν τον τροχό

μειώνοντας κατά αυτόν τον τρόπο την πιθανότητα σπασίματος του τροχού. Οι φλάντζες για τους τροχούς κοπής ενδεχομένως να διαφέρουν από τις φλάντζες λειαντικών τροχών.

f) **Μη χρησιμοποιείτε φθαρμένους τροχούς από μεγαλύτερα ηλεκτρικά εργαλεία.** Ο τροχός που προορίζεται για μεγαλύτερα ηλεκτρικά εργαλεία δεν είναι κατάλληλος για την υψηλότερη ταχύτητα των μικρότερων εργαλείων και ενδεχομένως να σπάσει.

#### **Πρόσθετες Ειδικές Προειδοποιήσεις Ασφάλειας για Λειαντικές Εργασίες Κοπής:**

a) **Μη “φρακάρετε” τον τροχό κοπής και μην ασκείτε υπερβολική πίεση σε αυτόν. Μην επιχειρήσετε να κάνετε υπερβολικά βαθιά κοπή.** Αν ασκείται υπερβολική πίεση στον τροχό αυξάνεται το φορτίο και η ευπάθεια στις δυνάμεις στρέψης και δέσμευσης του τροχού στην κοπή, ενώ αυξάνεται και η πιθανότητα κλωστήματος ή σπασίματος του τροχού.

b) **Μην τοποθετείτε το σώμα σας στην ίδια ευθεία με τον περιστρεφόμενο τροχό ή πίσω από αυτόν.** Όταν ο τροχός μετακινείται μακριά από το σώμα σας, ένα πιθανό κλώστημα ενδεχομένως να προωθησει τον περιστρεφόμενο τροχό και το ηλεκτρικό εργαλείο κατευθειαν επάνω σας τη στιγμή που τον θέτετε σε λειτουργία.

c) **Όταν εμποδίζεται η κίνηση του τροχού ή όταν διακόπεται η κοπή για οποιονδήποτε λόγο, σβήστε το ηλεκτρικό εργαλείο και κρατήστε το ακίνητο έως ότου ο τροχός σταματήσει να κινείται εντελώς. Μην επιχειρήσετε ποτέ να βγάλετε τον τροχό κοπής από την κοπή όταν ο τροχός κινείται, επειδή το εργαλείο μπορεί να κλωστήσει.** Διερευνήστε την αιτία λόγω της οποίας εμποδίζεται η κίνηση του τροχού και λάβετε διορθωτικά μέτρα.

d) **Μην ξεκινήσετε ξανά την εργασία κοπής στο τεμάχιο εργασίας. Αφήστε τον τροχό να αποκτήσει την πλήρη ταχύτητά του και εισάγετε τον ξανά στην κοπή προσεκτικά.** Αν θέσετε το ηλεκτρικό εργαλείο ξανά σε λειτουργία μέσα στο τεμάχιο εργασίας, μπορεί να εμποδιστεί η κίνηση του τροχού ή μπορεί ο τροχός να αναπηδήσει ή να κλωστήσει.

e) **Πρέπει να στηρίζετε τις πλάκες και τα υπερμεγέθη τεμάχια εργασίας για να ελαχιστοποιείτε τον κίνδυνο αποκοπής και κλωστήματος του τροχού.** Τα μεγάλα τεμάχια εργασίας τείνουν να βαθουλώνουν από το ίδιο τους το βάρος. Πρέπει να τοποθετείτε στηρίγματα κάτω από το τεμάχιο εργασίας, κοντά στη γραμμή κοπής και κοντά στην άκρη του τεμαχίου εργασίας, και στις δύο πλευρές του τροχού.

f) **Να είστε ιδιαίτερα προσεκτικοί όταν εκτελείτε “κοπές βυλάκα” σε τοίχους ή άλλες περιοχές για τις οποίες δεν γνωρίζετε τι κρύβουν στο εσωτερικό τους.** Αν ο τροχός προεξέχει, μπορεί να κόψει σωλήνες υγραερίου ή νερού, ηλεκτρικά καλώδια ή αντικείμενα που θα προκαλέσουν το κλώστημά του.

## Ειδικές Προειδοποιήσεις Ασφαλείας για τις Λειτουργίες Λείανσης:

- a) Μη χρησιμοποιείτε υπερβολικά υπερμεγέθη γυαλόχαρτα στο δίσκο. Να ακολουθείτε τις συστάσεις των κατασκευαστών, όταν επιλέγετε γυαλόχαρτο. Αν το γυαλόχαρτο προεξέχει από το επίθεμα του γυαλόχαρτου, υπάρχει κίνδυνος να σκιστεί και ενδεχομένως να προκαλέσει σκάλωμα και σκίσιμο του δίσκου ή κλώστημα.

## Ειδικές Προειδοποιήσεις Ασφαλείας για τις Εργασίες με Χρήση Συρματόβουρτσας:

- a) Να γνωρίζετε ότι οι συρματινές τριχές πετάγονται από τη βούρτσα ακόμα και κατά την κανονική λειτουργία. Μην πιέζετε υπερβολικά τα σύρματα ασκώντας υπερβολικό φορτίο στη βούρτσα. Οι συρματινές τριχές μπορούν εύκολα να διαπεράσουν τον ελαφρύ ρουχισμό ή/και το δέρμα.
- b) Αν συνιστάται η χρήση προφυλακτήρα κατά τη χρήση της συρματόβουρτσας, μην αφήνετε τον τροχό σύρματος ή τη συρματόβουρτσα να εμπλακεί στον προφυλακτήρα. Ενδεχομένως να μεγαλώσει η διάμετρος του τροχού του σύρματος ή της συρματόβουρτσας εξαιτίας του φόρτου εργασίας και των φυγοκεντρικών δυνάμεων.

## Επιπρόσθετες προειδοποιήσεις ασφαλείας:

16. Όταν χρησιμοποιείτε τροχούς τροχίσματος με χαμηλωμένο κέντρο, βεβαιωθείτε να χρησιμοποιήσετε μόνο τροχούς ενισχυμένους με υαλοίνες.
17. Μην χρησιμοποιείτε ΠΟΤΕ πέτρινους κυπελλοειδείς τύπου τροχούς με αυτό το εργαλείο τροχίσματος. Αυτό το εργαλείο τροχίσματος δεν είναι σχεδιασμένο για τους τροχούς αυτού του τύπου και η χρήση ενός τέτοιου προϊόντος μπορεί να προκαλέσει σοβαρό προσωπικό τραυματισμό.
18. Να προσέχετε ώστε να μην καταστρέψετε την άτρακτο, τη φλάντζα (ειδικά την επιφάνεια τοποθέτησης) ή το ασφαλιστικό παξιμαδί. Αν τα εξαρτήματα αυτά είναι κατεστραμμένα, μπορεί να επέλθει ως αποτέλεσμα το σπάσιμο του τροχού.
19. Βεβαιωθείτε ότι ο τροχός δεν ακουμπά το τεμάχιο εργασίας πριν ενεργοποιήσετε το διακόπτη λειτουργίας.
20. Πριν χρησιμοποιήσετε το εργαλείο σε ένα πραγματικό τεμάχιο εργασίας, να το αφήνετε να λειτουργεί για λίγη ώρα. Να προσέχετε για κραδασμούς ή κινήσεις που θα μπορούσαν να υποδείξουν κακή τοποθέτηση ή κακή ισορροπηση του τροχού.
21. Να χρησιμοποιείτε την καθορισμένη επιφάνεια του τροχού για την εκτέλεση του τροχίσματος.
22. Μην αφήνετε το εργαλείο σε λειτουργία. Το εργαλείο πρέπει να βρίσκεται σε λειτουργία μόνο όταν το κρατάτε.
23. Μην αγγίζετε το τεμάχιο εργασίας αμέσως μετά τη λειτουργία του εργαλείου. Μπορεί να είναι εξαιρετικά θερμό και να προκληθεί έγκαυμα στο δέρμα σας.
24. Να τηρείτε τις οδηγίες που κατασκευαστή όσον αφορά τη σωστή τοποθέτηση και χρήση των τροχών. Να χειρίζεστε και να αποθηκεύετε τους τροχούς με προσοχή.

25. Μη χρησιμοποιείτε ξεχωριστές ροδέλες ή προσαρμογείς για να προσαρμόσετε λειαντικούς τροχούς με μεγάλη οπή.
26. Να χρησιμοποιείτε μόνο φλάντζες κατάλληλες για αυτό το εργαλείο.
27. Για εργαλεία στα οποία πρόκειται να τοποθετήσετε τροχό με οπή με σπείρωμα, να βεβαιώνεστε ότι το σπείρωμα στον τροχό είναι αρκετά μακρύ για να δεχτεί το μήκος του άξονα.
28. Ελέγξτε ότι το τεμάχιο εργασίας υποστηρίζεται σωστά.
29. Να προσέχετε όταν ο τροχός συνεχίζει να περιστρέφεται ακόμη και αφού απενεργοποιήσετε το εργαλείο.
30. Εάν το περιβάλλον εργασίας είναι πολύ ζεστό και υγρό ή εάν υπάρχει υπερβολική αγωγή σκόνης, να χρησιμοποιείτε ασφάλεια βραχυκυκλώματος (30 mA) για να εξασφαλίσετε την ασφάλεια του χειριστή.
31. Μην χρησιμοποιείτε το εργαλείο σε κανένα υλικό που περιέχει αμίαντο.
32. Όταν χρησιμοποιείτε τροχό κοπής, να εργάζεστε πάντοτε με το προστατευτικό συλλογής σκόνης του τροχού όπως απαιτείται από τους τοπικούς κανονισμούς.
33. Οι δίσκοι κοπής δεν πρέπει να υφίστανται καμία πλευρική πίεση.
34. Μην χρησιμοποιείτε υφασμάτινα γάντια εργασίας κατά τη διάρκεια της λειτουργίας. Οι ίνες από τα υφασμάτινα γάντια μπορεί να εισέλθουν στο εργαλείο, πράγμα που προκαλεί θραύση του εργαλείου.

## ΦΥΛΑΞΤΕ ΑΥΤΕΣ ΤΙΣ ΟΔΗΓΙΕΣ.

**⚠️ ΠΡΟΕΙΔΟΠΟΙΗΣΗ:**  
ΜΗΝ επιτρέψετε στη βολικότητα ή στην εξοικειώσή σας με το προϊόν (που αποκτήθηκε από επανειλημμένη χρήση) να αντικαταστήσει την αυστηρή προσήλωση στον κανόνα ασφαλείας του εν λόγω προϊόντος. Η ΛΑΝΘΑΣΜΕΝΗ ΧΡΗΣΗ ή η μη τήρηση των κανόνων ασφαλείας που διτυπώνονται στο παρόν εγχειρίδιο οδηγιών μπορεί να προκαλέσει σοβαρό τραυματισμό.

## ΣΗΜΑΝΤΙΚΕΣ ΟΔΗΓΙΕΣ ΑΣΦΑΛΕΙΑΣ ΓΙΑ ΚΑΣΕΤΑ ΜΠΑΤΑΡΙΩΝ

ENC007-12

1. Πριν χρησιμοποιήσετε την μπαταρία, διαβάστε όλες τις οδηγίες και τις ενδείξεις προφύλαξης στο (1) φορτιστή μπαταρίας, (2) την μπαταρία και (3) το προϊόν στο οποίο χρησιμοποιείται η μπαταρία.
2. Μην αποσυρμαρμολογείτε την μπαταρία.
3. Αν ο χρόνος λειτουργίας της μπαταρίας είναι υπερβολικά σύντομος, διακόψτε αμέσως τη λειτουργία. Αν συνεχίσετε, μπορεί να έχει ως αποτέλεσμα τον κίνδυνο υπερθέρμανσης, πιθανών εκκαυμάτων και ακόμη έκρηξης.
4. Αν μπει στα μάτια σας ηλεκτρολύτης, ξεπλύνετε με καθαρό νερό και αναζητήστε αμέσως ιατρική βοήθεια. Μπορεί να χάσετε την όρασή σας.
5. Μη βραχυκυκλώνετε την μπαταρία:
  - (1) Μην αγγίζετε τους ακροδέκτες με αγώγιμο υλικό.

- (2) Μην αποθηκεύετε την μπαταρία σε δοχείο με άλλα μεταλλικά αντικείμενα, όπως καρφιά, νομίσματα, κτλ.
- (3) Μην εκθέτετε την μπαταρία σε νερό ή βροχή. Αν βραχυκυκλωθεί η μπαταρία, μπορεί να προκληθεί μεγάλη ροή ηλεκτρικού ρεύματος, υπερθέρμανση, πιθανά εγκαύματα και ακόμη και καταστροφή της μπαταρίας.
6. Μην αποθηκεύετε το εργαλείο και την μπαταρία σε μέρη όπου η θερμοκρασία μπορεί να φτάσει ή να ξεπεράσει τους 50°C (122°F).
7. Μην αποτεφρώνετε την μπαταρία ακόμη κι αν παρουσιάζει σοβαρή ζημιά ή είναι εντελώς φθαρμένη. Η μπαταρία μπορεί να εκραγεί σε φωτιά.
8. Να προσέχετε να μη σας πέσει η μπαταρία και να μη συγκρουστεί με κάποιο αντικείμενο.
9. Μη χρησιμοποιείτε μια μπαταρία που έχει υποστεί βλάβη.
10. Οι μπαταρίες ιόντων λιθίου που περιέχονται υπόκεινται στις απαιτήσεις της νομοθεσίας για επικίνδυνα αγαθά.  
Για εμπορικές μεταφορές, για παράδειγμα από τρίτα μέρη, πρέπει να τηρούνται οι διαμεταφορές, οι ειδικές απαιτήσεις στη συσκευασία και η επισήμανση. Για προετοιμασία του στοιχείου που αποστέλλεται, είναι απαραίτητο να συμβουλευτείτε έναν ειδικό για επικίνδυνα υλικά. Επίσης, τηρήστε τους πιθανούς, πιο αναλυτικούς εθνικούς κανονισμούς.  
Καλύψτε με αυτοκόλλητη ταινία ή κρύψτε τις ανοικτές επαφές και συσκευάστε την μπαταρία με τρόπο που να μην μπορεί να μετακινείται μέσα στη συσκευασία.
11. Ακολουθήστε τους τοπικούς κανονισμούς σχετικά με την απόρριψη της μπαταρίας.
12. Χρησιμοποιείτε τις μπαταρίες μόνο με τα προϊόντα που καθορίζει η Makita. Η τοποθέτηση των μπαταριών σε μη συμμορφούμενα προϊόντα μπορεί να προκαλέσει πυρκαγιά, υπερβολική ζέστη, έκρηξη ή διαρροή ηλεκτρολύτη.

## ΦΥΛΑΞΤΕ ΑΥΤΕΣ ΤΙΣ ΟΔΗΓΙΕΣ.

**⚠ ΠΡΟΣΟΧΗ:** Να χρησιμοποιείτε μόνο γνήσιες μπαταρίες της Makita.

Η χρήση μη γνήσιων μπαταριών Makita, ή μπαταριών που έχουν τροποποιηθεί, μπορεί να έχει ως αποτέλεσμα τη ρήξη της μπαταρίας, προκαλώντας πυρκαγιά, προσωπικό τραυματισμό και βλάβη. Επίσης, θα ακυρωθεί η εγγύηση της Makita για το εργαλείο και φορτιστή Makita.

## Συμβουλές για τη διατήρηση της μέγιστης ζωής της μπαταρίας

1. **Να φορτίζετε την μπαταρία πριν αποφορτιστεί εντελώς.**  
Πάντοτε να διακόπτετε τη λειτουργία του εργαλείου και να φορτίζετε την μπαταρία όταν παρατηρείται μειωμένη ισχύ του εργαλείου.
2. **Ποτέ μην επαναφορτίζετε μια πλήρως φορτισμένη μπαταρία.**  
Αν υπερφορτίσετε την μπαταρία, μειώνεται η ωφέλιμη διάρκεια ζωής της.
3. **Να φορτίζετε την μπαταρία σε θερμοκρασία δωματίου, δηλαδή στους 10°C έως 40°C (50°F έως**

104°F). Αν η μπαταρία είναι θερμή, αφήστε την να ψυχθεί πριν τη φορτίσετε.

4. **Φορτίστε την κασέτα μπαταρίας εάν δεν πρόκειται να την χρησιμοποιήσετε για περισσότερους από έξι μήνες.**

## ΠΕΡΙΓΡΑΦΗ ΛΕΙΤΟΥΡΓΙΑΣ

### ⚠ ΠΡΟΣΟΧΗ:

- Να βεβαιώνετε πάντοτε ότι έχετε σβήσει το εργαλείο και έχετε βγάλει την κασέτα μπαταρίας πριν ρυθμίσετε ή ελέγξετε κάποια λειτουργία του εργαλείου.

## Τοποθέτηση ή αφαίρεση της κασέτας μπαταρίας (Εικ. 1)

### ⚠ ΠΡΟΣΟΧΗ:

- Πάντοτε να απενεργοποιείτε το εργαλείο πριν από την τοποθέτηση ή την αφαίρεση της κασέτας μπαταρίας.
- **Κρατήστε το εργαλείο και την κασέτα μπαταρίας γερά κατά την τοποθέτηση ή την αφαίρεση της κασέτας μπαταρίας.** Εάν δεν κρατήσετε γερά το εργαλείο και την κασέτα μπαταρίας μπορεί να γλιστρήσουν από τα χέρια σας και να προκληθεί ζημιά στο εργαλείο και στην κασέτα μπαταρίας αλλά και προσωπικό τραυματισμό.

Για να βγάλετε την κασέτα μπαταρίας, σύρτε την από το εργαλείο σέρνοντας το κουμπί στο μπροστινό μέρος της κασέτας.

Για να τοποθετήσετε την κασέτα μπαταρίας, ευθυγραμμίστε τη γλωττίδα της κασέτας μπαταρίας με την εγκοπή στο περίβλημα και σύρτε τη στη θέση της. Τοποθετήστε την έως το τέρμα, δηλαδή έως ότου ασφαλίσει στη θέση της και ακουστεί ένας χαρακτηριστικός ήχος "κλικ". Αν μπορείτε να δείτε την κόκκινη ένδειξη στην πάνω πλευρά του κουμπιού, η μπαταρία δεν είναι πλήρως ασφαλισμένη.

### ⚠ ΠΡΟΣΟΧΗ:

- Πάντοτε να τοποθετείτε πλήρως την κασέτα μπαταρίας για να μη φαίνεται η κόκκινη ένδειξη. Σε αντίθετη περίπτωση, μπορεί να πέσει κατά λάθος από το εργαλείο και να τραυματίσει εσάς ή κάποιον παρευρισκόμενο.
- Μην εισαγάγετε με τη βία την κασέτα μπαταρίας. Αν η κασέτα δεν σέρνεται με ευκολία, δεν την εισαγάγετε σωστά.

## Δράση διακόπτη

### ⚠ ΠΡΟΣΟΧΗ:

- Πριν τοποθετείτε την κασέτα μπαταρίας στο εργαλείο, πάντοτε να ελέγχετε ότι ο συρόμενος διακόπτης ενεργοποιείται σωστά και επιστρέφει στη θέση "OFF" όταν πιέξετε το πίσω μέρος του.
- Ο διακόπτης μπορεί να κλειδώσει στην ενεργή θέση "ON" για τη διευκόλυνση του χειριστή κατά την παρατεταμένη χρήση. Δώστε προσοχή όταν το εργαλείο βρίσκεται κλειδωμένο στην ενεργή θέση "ON" και κρατάτε το γερά.

Για να ξεκινήσετε τη λειτουργία του εργαλείου, σύρτε τον συρόμενο διακόπτη στη θέση "I (ON)" σπρώχνοντας το πίσω μέρος του. Για συνεχόμενη λειτουργία, πιέστε το μπροστινό μέρος του συρόμενου διακόπτη για να τον ασφαλίσετε.



Για να διακόψετε τη λειτουργία του εργαλείου, πιέστε το πίσω μέρος του συρόμενου διακόπτη και κατόπιν σύρτε τον στη θέση "Ο (OFF)". (Εικ. 2)

## Λειτουργία αποφυγής τυχαίας επανεκκίνησης

Ακόμα κι αν η κασέτα μπαταρίας έχει τοποθετηθεί στο εργαλείο και ο συρόμενος διακόπτης βρίσκεται στη θέση "Ι (ON)", η λειτουργία του εργαλείου δεν ξεκινά.

Για να ξεκινήσετε τη λειτουργία του εργαλείου, πρώτα σύρτε τον συρόμενο διακόπτη στη θέση "Ο (OFF)" και κατόπιν σύρτε τον στη θέση "Ι (ON)".

## Ηλεκτρονική λειτουργία ελέγχου ροπήs

Το εργαλείο ανιχνεύει ηλεκτρονικά καταστάσεις στις οποίες υπάρχει ενδεχόμενος κίνδυνος δέσμησης του τροχού ή του προσαρτήματος. Στην περίπτωση αυτή το εργαλείο σβήνει αυτόματα για την αποτροπή της περαιτέρω περιστροφής της ατράκτου (δεν αποτρέπει το κλώσημα).

Για να ξεκινήσετε ξανά το εργαλείο, απενεργοποιήστε πρώτα το εργαλείο, διορθώστε την αιτία της ξαφνικής πτώσης της περιστροφικής ταχύτητας και στη συνέχεια ενεργοποιήστε το εργαλείο.

## Ένδειξη της εναπομένουσας χωρητικότητας της μπαταρίας

*Μόνο για κασέτες μπαταρίας με την ένδειξη (Εικ. 3)*

Πατήστε το κουμπί ελέγχου στην κασέτα μπαταρίας για να εμφανιστεί η υπολειπόμενη χωρητικότητα της μπαταρίας. Οι ενδεικτικές λυχνίες θα ανάψουν για μερικά δευτερόλεπτα.

Ενδεικτικές λυχνίες			Εναπομένουσα χωρητικότητα
Αναμμένες	Σβηστές	Αναβοσβήνουν	
■ ■ ■ ■			75% έως 100%
■ ■ ■	□		50% έως 75%
■ ■	□ □		25% έως 50%
■	□ □ □		0% έως 25%
▧	□ □ □		Φορτίστε τη μπαταρία.
■ ■ □ □	□ □		Η μπαταρία μπορεί να δυσλειτουργεί.

015658

### ΣΗΜΕΙΩΣΗ:

- Ανάλογα με τις συνθήκες χρήσης και τη θερμοκρασία περιβάλλοντος, η ένδειξη μπορεί να διαφέρει ελαφρώς από την πραγματική χωρητικότητα.

## Ένδειξη εναπομένουσας ισχύος της μπαταρίας

(Εξαρτάται από τη χώρα) (Εικ. 4)

Όταν ενεργοποιείτε το εργαλείο, ο δείκτης της μπαταρίας εμφανίζει την υπολειπόμενη ισχύ της μπαταρίας.

Η υπολειπόμενη ισχύς της μπαταρίας εμφανίζεται όπως δείχνει ο παρακάτω πίνακας.

Κατάσταση δείκτη μπαταρίας	Εναπομένουσα ισχύς μπαταρίας
■ : Αναμμένες □ : Σβηστές ▧ : Αναβοσβήνει	
	50% - 100%
	20% - 50%
	0% - 20%
	Φορτίστε την μπαταρία

015096

## Λειτουργία αυτόματης αλλαγής ταχύτητας (Εικ. 5)

Κατάσταση ενδεικτικής λυχνίας λειτουργίας	Κατάσταση λειτουργίας
	Λειτουργία υψηλής ταχύτητας
	Λειτουργία υψηλής ροπήs

015098

Αυτή η συσκευή διαθέτει "λειτουργία υψηλής ταχύτητας" και "λειτουργία υψηλής ροπήs". Αυτόματα αλλάζει τρόπο λειτουργίας ανάλογα με το φόρτο εργασίας. Όταν η ενδεικτική λυχνία λειτουργίας ανάβει κατά τη λειτουργία, η συσκευή βρίσκεται στη λειτουργία υψηλής ροπήs.

## Σύστημα προστασίας εργαλείου/ μπαταρίας

Το εργαλείο είναι εφοδιασμένο με ένα σύστημα προστασίας εργαλείου/μπαταρίας. Αυτό το σύστημα διακόπτει αυτόματα το ρεύμα στον κινητήρα για να παρατείνεται η διάρκεια ζωής του εργαλείου και της μπαταρίας.

Το εργαλείο θα σταματήσει αυτόματα κατά τη λειτουργία όταν το εργαλείο ή η μπαταρία βρεθούν σε μια από τις παρακάτω συνθήκες. Σε ορισμένες περιπτώσεις ανάβει ο δείκτης.

### Προστασία υπερφόρτωσης

Όταν το εργαλείο λειτουργεί με τρόπο που το κάνει να τραβά μια ασυνήθιστα μεγάλη ποσότητα ρεύματος, το εργαλείο σταματά αυτόματα χωρίς κάποια ένδειξη. Στην περίπτωση αυτή, απενεργοποιήστε το εργαλείο και

σταματήστε την εφαρμογή που προκάλεσε την υπερφόρτωση του εργαλείου. Στη συνέχεια ενεργοποιήστε το εργαλείο για να ξαναρχίσετε πάλι.

### Προστασία υπερφόρτωσης για το εργαλείο

Όταν το εργαλείο έχει υπερθερμανθεί, το εργαλείο σταματά αυτόματα και ο δείκτης μπαταρίας δείχνει την ακόλουθη κατάσταση. Στην περίπτωση αυτή, αφήστε το εργαλείο να κρυώσει πριν ενεργοποιήσετε ξανά το εργαλείο.

Δείκτης μπαταρίας	: Αναμμένος	: Σβηστός	: Αναβοσβήνει
	Το εργαλείο έχει υπερθερμανθεί		

015140

### Απενεργοποίηση ασφάλειας προστασίας

Όταν το σύστημα προστασίας λειτουργεί επανειλημμένα, το εργαλείο κλειδώνει και δείκτης μπαταρίας εμφανίζει την ακόλουθη κατάσταση.

Δείκτης μπαταρίας	: Αναμμένος	: Σβηστός	: Αναβοσβήνει
	Λειτουργεί η ασφάλεια προστασίας		

015200

Σε αυτή την κατάσταση, το εργαλείο δεν ξεκινά ακόμη και αν το εργαλείο ενεργοποιηθεί και στη συνέχεια τεθεί εκτός λειτουργίας. Για να απενεργοποιήσετε την ασφάλεια προστασίας, αφαιρέστε την μπαταρία, τοποθετήστε την στο φορτιστή μπαταρίας και περιμένετε μέχρι να ολοκληρωθεί η φόρτιση.

### Κλειδωμα άξονα

#### ΠΡΟΣΟΧΗ:

- Ποτέ μην ενεργοποιείτε το κλειδωμα του άξονα όταν κινείται η άτρακτος. Μπορεί να προκληθεί βλάβη στο εργαλείο.

Να πιέζετε το κλειδωμα του άξονα για να αποφύγετε την περιστροφή της άτρακτος κατά την τοποθέτηση ή την αφαίρεση εξαρτημάτων. **(Εικ. 6)**

### ΣΥΝΑΡΜΟΛΟΓΗΣΗ

#### ΠΡΟΣΟΧΗ:

- Να βεβαιώνετε πάντοτε ότι έχετε σβήσει το εργαλείο και έχετε βγάλει την κασέτα μπαταρίας πριν εκτελέσετε οποιαδήποτε εργασία σε αυτό.

### Τοποθέτηση πλευρικής λαβής (χερούλι)

#### ΠΡΟΣΟΧΗ:

- Πριν από τη λειτουργία, να βεβαιώνετε πάντοτε ότι είναι τοποθετημένη με ασφάλεια η πλαϊνή λαβή. Να βιδώνετε με ασφάλεια την πλαϊνή λαβή στη θέση του εργαλείου όπως απεικονίζεται στην εικόνα. **(Εικ. 7)**

### Τοποθέτηση ή αφαίρεση του προφυλακτήρα του τροχού, πολυδίσκου/ χαμηλωμένου κέντρου, πολυδίσκου/

### Λειαντικό τροχό κοπής, διαμαντένιο τροχό)

#### ΠΡΟΕΙΔΟΠΟΙΗΣΗ:

- Όταν χρησιμοποιείτε τροχό λείανσης χαμηλωμένου κέντρου/πολυδίσκο, τροχό πολλαπλών χρήσεων, συρματόβουρτσα τροχού, τροχό κοπής ή διαμαντένιο τροχό, ο προφυλακτήρας του τροχού πρέπει να είναι προσαρμοσμένος στο εργαλείο με τρόπο ώστε η κλειστή πλευρά του προφυλακτήρα να είναι πάντοτε στραμμένη προς τη μεριά του χειριστή.
- Όταν χρησιμοποιείτε το λειαντικό τροχό κοπής/ διαμαντένιο τροχό, βεβαιωθείτε να χρησιμοποιείτε μόνο τον ειδικό προφυλακτήρα του τροχού που έχει σχεδιαστεί για χρήση με τροχούς κοπής. (Σε μερικές Ευρωπαϊκές χώρες, κατά τη χρήση ενός διαμαντένιου τροχού, ο συνηθισμένος προφυλακτήρας μπορεί να χρησιμοποιηθεί. Ακολουθήστε τους κανονισμούς της χώρας σας.)

#### Για εργαλείο με προφυλακτήρα τροχού που ασφαλίζει με μοχλό

Ξεσφίξτε το μοχλό στον προφυλακτήρα του τροχού αφού ξεσφίξετε τη βίδα. Τοποθετήστε τον προφυλακτήρα του τροχού με τρόπο ώστε η προεξοχή στη ζώνη του προφυλακτήρα του τροχού να είναι ευθυγραμμισμένη με την εγκοπή στο κιβώτιο ρουλεμάν. Στη συνέχεια περιστρέψτε τον προφυλακτήρα του τροχού σε τέτοια γωνία ώστε να προστατεύει το χειριστή ανάλογα με την εργασία. **(Εικ. 8)**

Σφίξτε το μοχλό για να στερεώσετε τον προφυλακτήρα του τροχού. Εάν ο μοχλός είναι πολύ σφικτός ή πολύ χαλαρός για να στερεώσετε τον προφυλακτήρα του τροχού, ξεσφίξτε ή σφίξτε τη βίδα για να ρυθμίσετε το σφίξιμο της ζώνης του προφυλακτήρα του τροχού. **(Εικ. 9)** Για να αφαιρέσετε τον προφυλακτήρα του τροχού, ακολουθήστε τη διαδικασία τοποθέτησης με αντίστροφη σειρά.

#### Για εργαλείο με προφυλακτήρα τροχού που ασφαλίζει με βίδα (Εικ. 10)

Στερεώστε τον προφυλακτήρα του τροχού με τρόπο ώστε οι προεξοχές στη ζώνη του προφυλακτήρα του τροχού να είναι ευθυγραμμισμένες με τις εγκοπές στο κιβώτιο των ρουλεμάν. Κατόπιν περιστρέψτε τον προφυλακτήρα του τροχού κατά 180° αριστερόστροφα. Βεβαιωθείτε να σφίξετε καλά τις βίδες. Για να αφαιρέσετε τον προφυλακτήρα του τροχού, ακολουθήστε τη διαδικασία τοποθέτησης με αντίστροφη σειρά.

### Τοποθέτηση ή αφαίρεση τροχού χαμηλωμένου κέντρου ή πτυσσόμενου δίσκου (προαιρετικό εξάρτημα)

#### ΠΡΟΕΙΔΟΠΟΙΗΣΗ:

- Όταν χρησιμοποιείτε τροχό χαμηλωμένου κέντρου ή πτυσσόμενο δίσκο, ο προφυλακτήρας του τροχού πρέπει να είναι προσαρμοσμένος στο εργαλείο με τρόπο ώστε η κλειστή πλευρά του προφυλακτήρα να είναι πάντοτε στραμμένη προς τη μεριά του χειριστή.
- Να ενεργοποιείτε το κλειδωμα άξονα μόνο όταν η άτρακτος δεν κινείται.

Στερεώστε την εσωτερική φλάντζα στην άτρακτο. Προσαρμόστε τον τροχό/δίσκο στην εσωτερική φλάντζα

και βιδώστε το ασφαλιστικό παξιμάδι στην άτρακτο. (Εικ. 11)

Για να σφίξετε το ασφαλιστικό παξιμάδι, πιέστε καλά το κλειδί του άξονα ώστε να μην μπορεί να περιστρέφεται η άτρακτος, κατόπιν, χρησιμοποιήστε το κλειδί του ασφαλιστικού παξιμαδιού και σφίξτε καλά δεξιόστροφα. (Εικ. 12)

Για να αφαιρέσετε τον τροχό, ακολουθήστε τη διαδικασία τοποθέτησης με αντίστροφη σειρά.

## Τοποθέτηση ή αφαίρεση του Ezyrut (προαιρετικό εξάρτημα)

### ⚠ ΠΡΟΣΟΧΗ:

- Μην χρησιμοποιήσετε το Ezyrut με τη Μεγάλη Φλάντζα ή με το γωνιακό τροχό με την ένδειξη "F" στο τέλος του Αρ. μοντέλου. Οι φλάντζες αυτές είναι τόσο παχιές που όλο το σπειρώμα δεν μπορεί να κρατηθεί από την άτρακτο.

Στερεώστε την εσωτερική φλάντζα, τον λειαντικό τροχό και το Ezyrut πάνω στην άτρακτο έτσι ώστε ο Λογότυπος της Makita που βρίσκεται πάνω στο Ezyrut να βλέπει προς τα έξω. (Εικ. 13)

Πιέστε καλά το κλειδί του άξονα και σφίξτε το Ezyrut περιστρέφοντας τον λειαντικό τροχό δεξιόστροφα όσο περισσότερο μπορεί να περιστραφεί.

Για να ξεσφίξετε, περιστρέψτε τον εξωτερικό δακτύλιο του Ezyrut αριστερόστροφα. (Εικ. 14)

### ΣΗΜΕΙΩΣΗ:

- Μπορείτε να ξεσφίξετε το Ezyrut με το χέρι όσο το βέλος δείχνει την εγκοπή. Διαφορετικά, απαιτείται ένα κλειδί ασφαλιστικού παξιμαδιού για να ξεσφίξετε. Εισαγάγετε την ακίδα του κλειδιού μέσα στην τρύπα και περιστρέψτε αριστερόστροφα το Ezyrut. (Εικ. 15 και 16)

## Τοποθέτηση ή αφαίρεση εύκαμπτου τροχού

### Προαιρετικό εξάρτημα

### ⚠ ΠΡΟΕΙΔΟΠΟΙΗΣΗ:

- Να χρησιμοποιείτε πάντα τον παρεχόμενο προφυλακτήρα όταν ο εύκαμπτος τροχός βρίσκεται στο εργαλείο. Ο τροχός μπορεί να υποστεί θραύση κατά τη χρήση και ο προφυλακτήρας διευκολύνει στη μείωση των πιθανοτήτων πρόκλησης τραυματισμού. (Εικ. 17)

Να ακολουθείτε τις οδηγίες για τον τροχό χαμηλωμένου κέντρου αλλά να χρησιμοποιείτε και το πέλιμα υποστηρίξης επάνω από τον τροχό. Δείτε τη σειρά συναρμολόγησης στη σελίδα των εξαρτημάτων του παρόντος εγχειριδίου.

## Τοποθέτηση ή αφαίρεση λειαντικού δίσκου (προαιρετικό εξάρτημα) (Εικ. 18)

Στερεώστε το λαστιχένιο επίθεμα στην άτρακτο. Προσαρμόστε το δίσκο πάνω στο λαστιχένιο επίθεμα και βιδώστε το ασφαλιστικό παξιμάδι στην άτρακτο. Για να σφίξετε το ασφαλιστικό παξιμάδι, πιέστε καλά το κλειδί του άξονα ώστε να μην μπορεί να περιστρέφεται η άτρακτος, κατόπιν, χρησιμοποιήστε το κλειδί του ασφαλιστικού παξιμαδιού και σφίξτε καλά δεξιόστροφα.

Για να αφαιρέσετε το δίσκο, ακολουθήστε τη διαδικασία τοποθέτησης με αντίστροφη σειρά.

### ΣΗΜΕΙΩΣΗ:

- Να χρησιμοποιείτε μόνο τα εξαρτήματα του λειαντή που καθορίζονται στο εγχειρίδιο αυτό. Αυτά θα πρέπει να αγοραστούν ξεχωριστά.

## ΛΕΙΤΟΥΡΓΙΑ

### ⚠ ΠΡΟΕΙΔΟΠΟΙΗΣΗ:

- Δεν θα πρέπει ποτέ να ασκείτε δύναμη στο εργαλείο. Το βάρος του εργαλείου εφαρμόζει αρκετή πίεση. Ο εξαναγκασμός και η υπερβολική πίεση μπορεί να προκαλέσουν το σπάσιμο του τροχού.
- ΠΑΝΤΟΤΕ να αντικαθιστάτε τον τροχό αν το εργαλείο πέσει κάτω κατά το τρόχισμα.
- ΠΟΤΕ μη χτυπάτε τον δίσκο ή τον τροχό λείανσης επάνω στο αντικείμενο εργασίας.
- Να αποφεύγετε την αναπήδηση και το σκάλωμα του τροχού, ιδιαίτερα όταν εργάζεστε σε γωνίες, αιχμηρές άκρες, κτλ. Μπορεί να προκληθεί απώλεια του ελέγχου και κλώσημα.
- ΠΟΤΕ μη χρησιμοποιείτε το εργαλείο με λάμες κοπής ξύλου και λάμες άλλου είδους. Όταν χρησιμοποιούνται τέτοιες λάμες στον τροχό, προκαλείται συχνά κλώσημα και απώλεια του ελέγχου προκαλώντας το προσωπικό τραυματισμό.

### ⚠ ΠΡΟΣΟΧΗ:

- Ποτέ μη θέτετε το εργαλείο σε λειτουργία όταν βρίσκεται σε επαφή με το τεμάχιο εργασίας, διαφορετικά μπορεί να προκληθεί τραυματισμός του χειριστή.
- Κατά τη διάρκεια της λειτουργίας, να φοράτε πάντοτε προστατευτικά γυαλιά ή προσωπίδα.
- Μετά τη λειτουργία, να σβήνετε πάντοτε το εργαλείο και να περιμένετε έως ότου ακινοποιηθεί ο τροχός πριν αφήσετε το εργαλείο κάτω.

## Λειτουργία τροχίσματος και λείανσης (Εικ. 19)

Να κρατάτε ΠΑΝΤΟΤΕ το εργαλείο σταθερά με το ένα χέρι στο περιβλήμα και με το άλλο χέρι στην πλαϊνή λαβή. Θέστε το εργαλείο σε λειτουργία και κατόπιν τοποθετήστε τον τροχό ή τον δίσκο επάνω στο τεμάχιο εργασίας. Σε γενικές γραμμές, να κρατάτε την άκρη του τροχού ή του δίσκου σε γωνία περίπου 15 μοιρών ως προς την επιφάνεια του τεμαχίου εργασίας. Κατά τη διάρκεια της περιόδου στρωσίματος ενός καινούργιου τροχού, μη χειρίζεστε τον τροχό προς την κατεύθυνση Β επειδή θα κόψει μέσα στο τεμάχιο εργασίας. Μόλις στρωγυλοποιηθεί η άκρη του τροχού λόγω χρήσης, μπορείτε να χρησιμοποιήσετε τον τροχό και προς τις δύο κατευθύνσεις Α και Β.

## Λειτουργία με τροχό λείανσης κοπής/ διαμαντοτροχό

### Προαιρετικό εξάρτημα

### ⚠ ΠΡΟΕΙΔΟΠΟΙΗΣΗ:

- Όταν χρησιμοποιείτε τροχό κοπής/διαμαντοτροχό λείανσης, φροντίστε να χρησιμοποιείτε μόνο τον ειδικό προφυλακτήρα τροχού που έχει σχεδιαστεί

## για χρήση με τροχούς κοπής.

(Σε μερικές ευρωπαϊκές χώρες, όταν χρησιμοποιείται διαμαντοτροχός, μπορεί να χρησιμοποιηθεί ο συνήθιστος προφυλακτήρας. Τηρήστε τους κανονισμούς στη χώρα σας.)

- **Μην χρησιμοποιείτε ΠΟΤΕ τροχό κοπής για πλευρική λείανση.**
- **Μην προκαλείτε “μάγκωμα” του τροχού κοπής και μην ασκείτε υπερβολική πίεση. Μην επιχειρείτε να δημιουργήσετε τομή υπερβολικού βάθους. Η άσκηση υπερβολικής δύναμης στον τροχό αυξάνει το φορτίο και τη δεκτικότητα σε συστορή ή εμπλοκή του τροχού εντός της κοπής και την πιθανότητα κλοστήματος ή θραύσης του τροχού όπως και υπερθέρμανσης του κινητήρα.**
- **Μην αρχίζετε την εργασία κοπής στο τεμάχιο εργασίας. Περιμένετε έως ότου ο τροχός αποκτήσει πλήρη ταχύτητα και φροντίστε για την εισαγωγή του με προσοχή στο εσωτερικό της κοπής μετακινώντας το εργαλείο προς τα εμπρός πάνω στην επιφάνεια του τεμαχίου εργασίας. Ο τροχός μπορεί να παρουσιάσει εμπλοκή, αναπήδηση ή ανάκρουση αν ενεργοποιήσετε το ηλεκτρικό εργαλείο ενώ βρίσκεται εντός του τεμαχίου εργασίας.**
- **Στη διάρκεια των εργασιών κοπής, μην αλλάζετε ποτέ τη γωνία του τροχού.** Αν ασκήσετε πλευρική πίεση στον τροχό κοπής (όπως στη λείανση), θα προκληθεί ράγισμα και θραύση του τροχού, με αποτέλεσμα σοβαρό τραυματισμό.
- **Απαιτείται χειρισμός ενός διαμαντοτροχού κάθετα προς το υλικό που πρόκειται να κοπεί. (Εικ. 20)**

Όσον αφορά την τοποθέτηση, ακολουθήστε τις οδηγίες για τον τροχό χαμηλωμένου κέντρου.

**Η κατεύθυνση στερέωσης του παξιμαδιού ασφάλισης και της εσωτερικής φλάντζας διαφέρει ανάλογα με τον τύπο και το πάχος τροχού.**

Ανατρέξτε στις παρακάτω τιμές.

## Για μοντέλο 100 mm

Όταν τοποθετείτε τον τροχό λείανσης κοπής: (Εικ. 21)

Όταν τοποθετείτε τον διαμαντοτροχό: (Εικ. 22)

## Για μοντέλο 115 mm/125 mm

Όταν τοποθετείτε τον τροχό λείανσης κοπής: (Εικ. 23)

Όταν τοποθετείτε τον διαμαντοτροχό: (Εικ. 24)

## Λειτουργία με κυπελλοειδή συρματόβουρτσα (προαιρετικό εξάρτημα)

### ⚠ ΠΡΟΣΟΧΗ:

- Ελέγξτε τη λειτουργία της βούρτσας λειτουργώντας το εργαλείο χωρίς φορτίο, διασφαλίζοντας ότι δεν βρίσκεται κανείς μπροστά ή στην ίδια γραμμή με την βούρτσα.
- Μην χρησιμοποιήσετε κάποια βούρτσα η οποία έχει υποστεί ζημιά ή δεν είναι ζυγισμένη. Η χρήση μιας βούρτσας που έχει υποστεί ζημιά μπορεί να αυξήσει την πιθανότητα τραυματισμού λόγω της επαφής με τα σπασμένα σύρματα της βούρτσας.

Αφαιρέστε την κασέτα μπαταρίας από το εργαλείο και τοποθετήστε το ανάποδα ώστε να έχετε εύκολη πρόσβαση στην άτρακτο. Αφαιρέστε τα οποιαδήποτε

εξαρτήματα από την άτρακτο. Στερεώστε την κυπελλοειδή συρματόβουρτσα πάνω στην άτρακτο και σφίξτε την με το παρεχόμενο κλειδί. Κατά την χρήση της βούρτσας αποφεύγετε να ασκείτε μεγάλη πίεση, η οποία προκαλεί την κάμψη των συρμάτων οδηγώντας στην πρόωρη θραύση. (Εικ. 25)

## Λειτουργία με συρματόβουρτσα τροχού (προαιρετικό εξάρτημα)

### ⚠ ΠΡΟΣΟΧΗ:

- Ελέγξτε τη λειτουργία της συρματόβουρτσας τροχού λειτουργώντας το εργαλείο χωρίς φορτίο, διασφαλίζοντας ότι δεν βρίσκεται κανείς μπροστά ή στην ίδια γραμμή με την συρματόβουρτσα τροχού.
- Μην χρησιμοποιήσετε κάποια συρματόβουρτσα τροχού η οποία έχει υποστεί ζημιά ή δεν είναι ζυγισμένη. Η χρήση μιας συρματόβουρτσας τροχού που έχει υποστεί ζημιά μπορεί να αυξήσει την πιθανότητα τραυματισμού λόγω της επαφής με τα σπασμένα σύρματα.
- ΠΑΝΤΟΤΕ να χρησιμοποιείτε ένα προφυλακτήρα μαζί με την συρματόβουρτσα τροχού, διασφαλίζοντας ότι η διάμετρος του τροχού ταιριάζει με το εσωτερικό του προφυλακτήρα. Ο τροχός μπορεί να θρυμματιστεί κατά τη χρήση και ο προφυλακτήρας βοηθάει ώστε να μειωθούν οι πιθανότητες για προσωπικό τραυματισμό.

Αφαιρέστε την κασέτα μπαταρίας από το εργαλείο και τοποθετήστε το ανάποδα ώστε να έχετε εύκολη πρόσβαση στην άτρακτο. Αφαιρέστε τα οποιαδήποτε εξαρτήματα από την άτρακτο. Περάστε την συρματόβουρτσα τροχού πάνω στην άτρακτο και σφίξτε την με τα κλειδιά. (Εικ. 26)

Κατά την χρήση της συρματόβουρτσας τροχού αποφεύγετε να ασκείτε μεγάλη πίεση, η οποία προκαλεί την κάμψη των συρμάτων οδηγώντας στην πρόωρη θραύση.

## ΣΥΝΤΗΡΗΣΗ

### ⚠ ΠΡΟΣΟΧΗ:

- Να βεβαιώνετε πάντοτε ότι έχετε σβήσει το εργαλείο και έχετε βγάλει την κασέτα μπαταρίας πριν εκτελέσετε οποιαδήποτε εργασία ελέγχου ή συντήρησης σε αυτό.
- Μην χρησιμοποιήσετε βενζίνη, βενζόλη, διαλυτικό, αλκοόλη ή κάτι παρόμοιο. Μπορεί να προκληθεί αποχρωματισμός, παραμόρφωση ή ρωγμές.

Το εργαλείο και τα ανοίγματα εξαερισμού του πρέπει να διατηρούνται καθαρά. Να καθαρίζετε τακτικά τα ανοίγματα εξαερισμού του εργαλείου ή όταν αυτά αρχίσουν να μπλοκάρουν. (Εικ. 27)

Αφαιρέστε το κάλυμμα σκόνης από το άνοιγμα εισόδου αέρα και καθαρίστε το για την ομαλή κυκλοφορία του αέρα. (Εικ. 28)

### ΣΗΜΑΙΩΣΗ:

- Καθαρίστε το κάλυμμα σκόνης όταν έχει βουλώσει με σκόνη ή ξένα αντικείμενα. Η συνέχιση της λειτουργίας με βουλωμένο το κάλυμμα σκόνης μπορεί να προκαλέσει ζημιά στο εργαλείο.

Για να διατηρείται η ΑΣΦΑΛΕΙΑ και η ΑΞΙΟΠΙΣΤΙΑ του προϊόντος, οι εργασίες επισκευής, καθώς και οποιαδήποτε άλλη εργασία συντήρησης ή ρύθμισης, θα πρέπει να εκτελούνται σε εξουσιοδοτημένα κέντρα

εξυπηρέτησης της Makita, και πάντοτε με τη χρήση ανταλλακτικών της Makita.

## ΠΡΟΑΙΡΕΤΙΚΑ ΑΞΕΣΟΥΑΡ

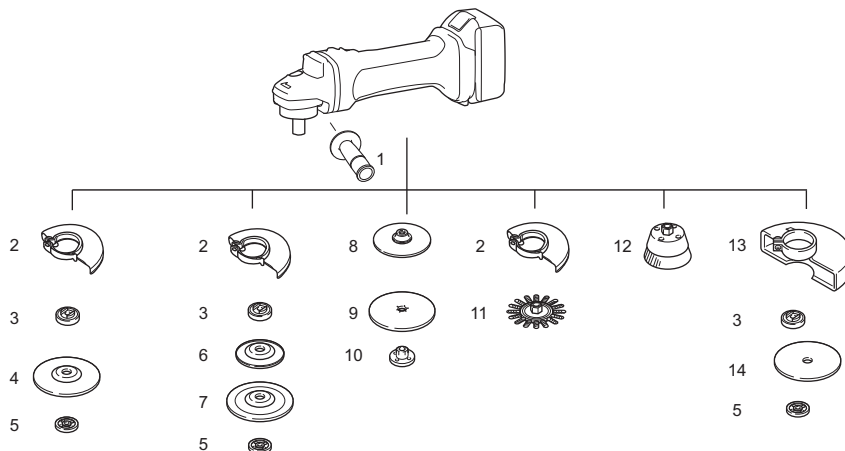
### ⚠️ ΠΡΟΣΟΧΗ:

- Συνιστάται η χρήση αυτών των αξεσουάρ ή εξαρτημάτων με το εργαλείο της Makita, όπως περιγράφεται στο παρόν εγχειρίδιο. Αν

χρησιμοποιήσετε άλλα αξεσουάρ ή εξαρτήματα μπορεί να παρουσιαστεί κίνδυνος για πρόκληση τραυματισμού προσώπων. Να χρησιμοποιείτε τα αξεσουάρ και τα εξαρτήματα μόνο για το σκοπό για τον οποίο προορίζονται.

Αν χρειάζεστε κάποια βοήθεια ή περισσότερες πληροφορίες σχετικά με τα αξεσουάρ αυτά, απευθυνθείτε στο πλησιέστερο κέντρο εξυπηρέτησης της Makita.

- Αυθεντική μπαταρία και φορτιστής της Makita



	Μοντέλο 100 mm	Μοντέλο 115 mm	Μοντέλο 125 mm
1	Λαβή 36		
2	Προφυλακτήρας τροχού (για τροχό λείανσης)		
3	Εσωτερική φλάντζα	Εσωτερική φλάντζα/Υπερφλάντζα *1*2	Εσωτερική φλάντζα/Υπερφλάντζα
4	Τροχός χαμηλωμένου κέντρου/Δίσκος λείανσης		
5	Παξιμάδι ασφάλισης	Παξιμάδι ασφάλισης/Εζυγντ *1*2	Παξιμάδι ασφάλισης/Εζυγντ *2
6	Πέλμα υποστήριξης		
7	Εύκαμπτος τροχός		
8	Ελαστικό πέλημα 76	Ελαστικό πέλημα 100	Ελαστικό πέλημα 115
9	Δίσκος λείανσης		
10	Παξιμάδι ασφάλισης τριψίματος		
11	Συρμάτινη βούρσα σχήματος τροχού		
12	Συρμάτινη βούρσα σχήματος κούπας		
13	Προφυλακτήρας τροχού (για τροχό κοπής) *3		
14	Τροχός λείανσης κοπής/Διαμαντοτροχός		
-	Κλειδί παξιμαδιού ασφάλισης		

Σημείωση:

\*1 Μόνο για εργαλεία με σπειρώμα ατράκτου M14.

\*2 Μην χρησιμοποιείτε Υπερφλάντζα και Εζυγντ μαζί.

\*3 Σε μερικές ευρωπαϊκές χώρες, όταν χρησιμοποιείται διαμαντοτροχός, μπορεί να χρησιμοποιηθεί ο συνηθισμένος προφυλακτήρας αντί για τον ειδικό προφυλακτήρα που καλύπτει και τις δύο πλευρές του τροχού. Τηρήστε τους κανονισμούς στη χώρα σας.

015100-2

### ΣΗΜΕΙΩΣΗ:

- Ορισμένα από τα στοιχεία της λίστας μπορεί να περιέχονται στη συσκευασία του εργαλείου ως

κανονικά αξεσουάρ. Αυτά ενδέχεται να διαφέρουν από χώρα σε χώρα.

## Θόρυβος

ENG905-1

Το σύνθημα σταθμισμένο επίπεδο θορύβου που έχει καθοριστεί σύμφωνα με την EN60745:

### Μοντέλο DGA404

Επίπεδο ηχητικής πίεσης ( $L_{pA}$ ): 80 dB (A)  
Επίπεδο ηχητικής ισχύος ( $L_{WA}$ ): 91 dB (A)  
Αβεβαιότητα (K): 3 dB (A)

### Μοντέλα DGA454, DGA504

Επίπεδο ηχητικής πίεσης ( $L_{pA}$ ): 79 dB (A)  
Αβεβαιότητα (K): 3 dB (A)

Το επίπεδο θορύβου κατά τη λειτουργία ενδέχεται να υπερβεί τα 80 dB (A).

### Να φοράτε ωτοασπίδες.

## Δόνηση

ENG900-1

Η συνολική τιμή δόνησης (διανυσματικό άθροισμα τριών αξόνων) που έχει καθοριστεί σύμφωνα με την EN60745:

### Μοντέλο DGA404

Τρόπος εργασίας: τρόχισμα επιφάνειας με κανονική πλευρική λαβή  
Εκπομπή κραδασμών ( $a_{h,AG}$ ): 4,5 m/s<sup>2</sup>  
Αβεβαιότητα (K): 1,5 m/s<sup>2</sup>

Τρόπος εργασίας: τρόχισμα επιφάνειας με αντικραδασμική πλευρική λαβή  
Εκπομπή κραδασμών ( $a_{h,AG}$ ): 4,0 m/s<sup>2</sup>  
Αβεβαιότητα (K): 1,5 m/s<sup>2</sup>

Τρόπος εργασίας: δίσκος λείανσης  
Εκπομπή δόνησης ( $a_{h,DS}$ ): 2,5 m/s<sup>2</sup> ή λιγότερο  
Αβεβαιότητα (K): 1,5 m/s<sup>2</sup>

### Μοντέλα DGA454, DGA504

Τρόπος εργασίας: τρόχισμα επιφάνειας με κανονική πλευρική λαβή  
Εκπομπή κραδασμών ( $a_{h,AG}$ ): 6,5 m/s<sup>2</sup>  
Αβεβαιότητα (K): 1,5 m/s<sup>2</sup>

Τρόπος εργασίας: τρόχισμα επιφάνειας με αντικραδασμική πλευρική λαβή  
Εκπομπή κραδασμών ( $a_{h,AG}$ ): 6,0 m/s<sup>2</sup>  
Αβεβαιότητα (K): 1,5 m/s<sup>2</sup>

Τρόπος εργασίας: λείανση με δίσκο  
Εκπομπή δόνησης ( $a_{h,DS}$ ): 2,5 m/s<sup>2</sup> ή λιγότερο  
Αβεβαιότητα (K): 1,5 m/s<sup>2</sup>

ENG902-1

- Η δηλωθείσα τιμή των παραγομένων κραδασμών έχει καταμετρηθεί σύμφωνα με την τυποποιημένη μέθοδο δοκιμασίας και μπορεί να χρησιμοποιηθεί για τη σύγκριση ενός εργαλείου με ένα άλλο.
- Η δηλωθείσα τιμή των παραγομένων κραδασμών μπορεί επίσης να χρησιμοποιηθεί για μια προκαταρκτική αξιολόγηση της έκθεσης στους κραδασμούς.
- Η δηλωθείσα τιμή των παραγομένων κραδασμών χρησιμοποιείται για τις κύριες χρήσεις του ηλεκτρικού εργαλείου. Ωστόσο, εάν το ηλεκτρικό εργαλείο χρησιμοποιηθεί για άλλες εφαρμογές, η τιμή των παραγομένων κραδασμών μπορεί να είναι διαφορετική.

## ΠΡΟΕΙΔΟΠΟΙΗΣΗ:

- Η εκπομπή κραδασμών κατά τη διάρκεια της πραγματικής χρήσης του ηλεκτρικού εργαλείου μπορεί να διαφέρει από τη δηλωθείσα τιμή των εκπομπών,

ανάλογα με τον τρόπο με τον οποίο χρησιμοποιείται το εργαλείο.

- Φροντίστε να λάβετε τα μέτρα ασφαλείας που απαιτούνται για την προστασία του χρήστη που βασίζονται σε μια εκτίμηση της έκθεσης σε πραγματικές συνθήκες χρήσης (λαμβάνοντας υπόψη όλα τα μέρη του κύκλου λειτουργίας, όπως είναι οι περιπτώσεις κατά τις οποίες το εργαλείο είναι απενεργοποιημένο και όταν λειτουργεί στο μελαντί επιπρόσθετως του χρόνου κατά τον οποίο το εργαλείο βρίσκεται σε χρήση).

## ΕΚ Δήλωση συμμόρφωσης

### Για Ευρωπαϊκές χώρες μόνο

Η δήλωση συμμόρφωσης EK περιλαμβάνεται ως παράρτημα Α σε αυτό το εγχειρίδιο οδηγιών.

## TÜRKÇE (Orijinal talimatlar)

### Genel görünüm

1. Düğme
2. Kırmızı gösterge
3. Akü
4. Açma/kapama düğmesi
5. Gösterge lambaları
6. Kontrol düğmesi
7. Akü göstergesi
8. Mod göstergesi
9. Şaft kilidi
10. Disk muhafazası
11. Yatak kutusu
12. Vida
13. Mandal
14. Kilit somunu
15. Ortası çukur disk
16. İç flanş
17. Kilit somunu anahtarı
18. Ezynut
19. Zımpara disk
20. Mil
21. Ok
22. Tırnak
23. Esnek disk
24. Yedek altlık
25. Zımparalama kilit somunu
26. Taşlama disk
27. Kauçuk altlık
28. Kesici taşlama disk/elmas disk
29. Kesici taşlama disk/elmas disk için disk muhafazası
30. Aşındırıcı kesme disk (4 mm'den ince)
31. Aşındırıcı kesme disk (4 mm veya daha kalın)
32. Elmas disk (4 mm'den ince)
33. Elmas disk (4 mm veya daha kalın)
34. Tel temizleme fırçası
35. Tel disk fırçası
36. Hava çıkış kanalı
37. Hava giriş kanalı
38. Toz kapağı

## TEKNİK ÖZELLİKLER

Model		DGA404	DGA454	DGA504
Disk çapı		100 mm (4")	115 mm (4-1/2")	125 mm (5")
Maks. disk kalınlığı		6,4 mm (1/4")	6,4 mm (1/4")	6,4 mm (1/4")
Mil dişi		M10	M14 veya 5/8" (ülkeye özel)	
Anma devri (n)/Yüksüz devri (n <sub>0</sub> )		8.500 dak <sup>-1</sup>		
Toplam uzunluk	Aküyle birlikte BL1815N, BL1820, BL1820B	348 mm		
	Aküyle birlikte BL1830, BL1830B, BL1840, BL1840B, BL1850, BL1850B, BL1860B	362 mm		
Net ağırlık	Aküyle birlikte BL1815N, BL1820, BL1820B	2,2 kg	2,3 kg	2,3 kg
	Aküyle birlikte BL1830, BL1830B, BL1840, BL1840B, BL1850, BL1850B, BL1860B	2,4 kg	2,5 kg	2,5 kg
Anma gerilimi		D.C. 18V		

- Sürekli yapılan araştırma ve geliştirmelerden dolayı, burada belirtilen özellikler önceden bildirilmeksizin değiştirilebilir.
- Özellikler ve akü ülkeye göre farklılıklar gösterebilir.
- EPTA Prosedürü 01/2003 uyarınca ağırlık (akü dahil)

### Kullanım amacı

ENE048-1

Bu makine, metal ve taş malzemeleri su kullanmadan taşlamak, zımparalamak ve kesmek için tasarlanmıştır.

## Genel Elektrikli Aletler Güvenlik Uyarıları

GEA010-1

**⚠ UYARI** Tüm güvenlik uyarılarını ve tüm talimatları okuyun. Verilen uyarılara ve talimatlara uyulmaması elektrik çarpmasına, yangına ve/veya ciddi yaralanmalara yol açabilir.

## Tüm uyarıları ve talimatları ilerde başvurmak üzere saklayın.

## AKÜLÜ TAŞLAMA MAKİNESİYLE İLGİLİ GÜVENLİK UYARILARI

GEB059-4

**Taşlama, Zımparalama, Tel Fırçalama ve Kesme İşlemleri İçin Genel Güvenlik Uyarıları:**

1. **Bu elektrikli alet taşlama, zımparalama, tel fırçalama ve kesme aleti olarak kullanılmak üzere tasarlanmıştır. Bu makineyle birlikte verilen tüm uyarıları, talimatları, çizimleri ve özellikleri dikkatli bir şekilde inceleyin.** Aşağıda verilen talimatların herhangi birine uyulmaması elektrik çarpmasına, yangına ve/veya ciddi yaralanmalara yol açabilir.
2. **Bu aletin parlatma vs. gibi işlemler için kullanılması önerilmemektedir.** Bu makine kullanılarak, makine için tasarlanmamış işlemlerin yapılması tehlikeli olabilir ve yaralanmalara yol açabilir.
3. **Makine üreticisi tarafından özel olarak tasarlanmamış ve önerilmeyen aksesuarları kesinlikle kullanmayın.** Herhangi bir aksesuarın

- makineye tam olarak takılabilmesi, o aksesuarın kullanımının güvenli olduğu anlamına gelmez.
4. **Kullanılacak aksesuarın anma hızı en azından makine üzerinde belirtilen maksimum hıza eşit olmalıdır.** Anma hızından daha hızlı çalışan aksesuarlar kırılabilir veya fırlayabilir.
  5. **Kullanılacak aksesuarın dış çapı ve kalınlığı mutlaka makine kapasite değeri aralığı içerisinde olmalıdır.** Boyutu doğru seçilmemiş aksesuarlar gerektiği şekilde muhafaza ve kontrol edilemez.
  6. **Aksesuarların dişli büyüklüğü mutlaka taşıma makinesinin mil dişlisine karşılık gelmelidir.** Flanşlar yardımıyla monte edilen aksesuarların delik çapı mutlaka flanşın oturma çapına eşit olmalıdır. Makinenin montaj donanımına uygun olmayan aksesuarlar dengesi çalışır, aşırı titreşim ve kontrol kaybına neden olabilir.
  7. **Hasarlı aksesuarları kesinlikle kullanmayın. Her kullanımdan önce taşıma disklerinde herhangi bir çapak veya çatlama olup olmadığını, disk altlığında çatlama, yırtık veya aşırı yıpranma olup olmadığını ve tel fırça üzerinde gevşek veya çatlama tel olup olmadığını kontrol edin.** Makinenin veya herhangi bir aksesuarının yere düşmesi halinde, makinede ve aksesuarlarda hasar olup olmadığını kontrol edin ve gerekli olması halinde hasarlı aksesuarları değiştirin. Aksesuarı kontrol edip makineye taktıktan sonra aksesuarın dönme düzleminde çekilin ve etrafındaki kişilerin de bu düzlemde durmadığından emin olun, daha sonra makineyi maksimum yüksüz hızda bir dakika çalıştırın. Hasarlı aksesuarlar normal koşulda bu test süresi içerisinde çıkar.
  8. **Uygun kişisel koruyucu ekipmanlar kullanın. Uygulamaya bağlı olarak yüz koruyucu maskeler ve geniş veya normal koruyucu gözlükler kullanın. Toz maskesi, kulak koruyucu, eldivenler ve küçük disk ve işparçası parçalarını durdurabilecek nitelikte çalışma önlüğü kullanın.** Koruyucu gözlüğün mutlaka farklı işlemler sırasında fırlayabilecek küçük parçaları durdurabilecek nitelikte olması gerekir. Kullanılacak toz maskesi veya respiratör mutlaka çalışma sırasında ortaya çıkabilecek partikülleri engelleyebilecek nitelikte olmalıdır. Yüksek seviyeli gürültüye uzun süre maruz kalınması duyma bozukluklarına yol açabilir.
  9. **Çevredeki kişileri çalışma alanından güvenli bir uzaklıkta tutun. Çalışma alanına giren herkes mutlaka uygun kişisel koruyucu ekipmanlar kullanmalıdır.** İşparçasının veya kırılan bir aksesuarın kopan parçaları sıçrayabilir ve makinenin yakın çevresinde bulunan kişilerin yaralanmasına neden olabilir.
  10. **Kesici parçanın, gömülü elektrik kablolarına temas edebileceği uygulamalarda makineyi yalnızca yalıtılmış saplarından tutun.** "Akım" geçen bir kabloya temas edilmesi durumunda, üzerindeki metal parçalara da "akım" iletilir ve kullanıcıyı elektrik çarptırabilir.
  11. **Aksesuar tamamen durmadan makineyi kesinlikle elinizden bırakmayın.** Hareketli aksesuar yüzeye çarparak makinenin kontrolünüzden çıkmasına neden olabilir.

12. **Taşıma esnasında kesinlikle makineyi çalıştırmayın.** Hareketli aksesuar kazara kıyafetinize temas etmesi halinde yaralanmanıza neden olabilir.
13. **Makinenin hava kanallarını düzenli olarak temizleyin.** Motor fanı, tozu muhafazanın içine doğru çeker ve metal tozlarının aşırı şekilde birikmesi elektrik tehlikelerinin ortaya çıkmasına yol açabilir.
14. **Makineyi tutuşabilir malzemelerin yakınında çalıştırmayın.** Kıvılcımlar bu malzemelerin tutuşmasına neden olabilir.
15. **Sıvı soğutucu gerektiren aksesuarlar kullanmayın.** Su veya diğer soğutucu sıvılarının kullanılması, elektrik çarpmasına veya elektrik şokuna neden olabilir.

### **Geri Tepme ve İlgili Uyarılar**

Geri tepme dönen disk, disk altlığının, fırçanın veya diğer aksesuarların sıkışması veya takılmasına karşı doğan ani bir tepkidir. Hareketli aksesuarın sıkışması veya takılması, aksesuarın hızını kaybetmesine ve dolayısıyla makinenin kontrolsüz şekilde aksesuarın sıkıştığı veya takıldığı noktadaki yönünün tersine zorlanmasına neden olur.

Örnek olarak, bir zımpara diskinin sıkışması veya takılması halinde diskin sıkışma noktasına giren kenarı, malzeme yüzeyine girerek diskin çıkmasına veya geri tepmesine neden olabilir. Disk, diskin sıkışma noktasındaki hareket yönüne bağlı olarak operatöre doğru geri tepileceği gibi, operatörden uzağa doğru da tepelir. Ayrıca, zımpara diskleri bu tür koşulların meydana gelmesi halinde kırılabilir.

Geri tepme, makinenin yanlış kullanımının ve/veya makinenin yanlış işlemlerle ya da yanlış koşullarda çalıştırılmasının bir sonucudur ve bundan kaçınmak için aşağıda sıralanan önlemlerin alınması gerekir.

- a) **Makineyi sıkıca kavrayın ve vücudunuza ve kollarınızı geri tepme kuvvetine karşı koyacak biçimde konumlandırın. Başlatma sırasında geri tepmeyi veya tork reaksiyonunu maksimum düzeyde kontrol edebilmek için, ürünle birlikte verilmesi halinde mutlaka yardımcı kolu kullanın.** Uygun önlemlerin alınması halinde operatör, tork reaksiyonlarını ve geri tepme kuvvetlerini kontrol edebilir.
- b) **Elinizi kesinlikle dönen aksesuara yaklaştırmayın.** Aksesuar elinize doğru geri tepelir.
- c) **Herhangi bir geri tepme durumunda makinenin hareket alanında durmayın.** Geri tepme durumunda makine, diskin sıkışma noktasındaki hareket yönüne ters yönde itilebilir.
- d) **Özellikle köşeli, sivri kenarlı vb. işparçaları ile çalışırken dikkatli olun. Aksesuarın sekmesine veya takılmasına izin vermeyin.** Köşeler, sivri kenarlar veya sıçrayan malzemeler dönen aksesuara takılabilir ve makinenin kontrol dışına çıkmasına veya geri tepmesine neden olabilir.
- e) **Makineye testere zinciri, ağaç oyma bıçağı veya dişli testere bıçağı takmayın.** Bu tür bıçaklar sıkça geri tepmeye neden olur ve kontrolün kaybedilmesine yol açar.

### **Taşıma ve Kesme İşlemlerine Özel Güvenlik Uyarıları:**

- a) **Yalnızca makineniz için önerilen disk tiplerini ve seçilen disk tipi için özel olarak tasarlanmış**



**koruyucu kapağı kullanın.** Makineniz için özel olarak tasarlanmamış diskler, yeterli ölçüde muhafazaya alınamazlar ve bu nedenle güvenli değildir.

**b) Ortası çukur disklerin taşlama yüzeyi mutlaka muhafaza kenarı düzleminin altına monte edilmelidir.** Yanlış monte edilerek muhafaza kenarı düzleminden çıkan diskler yeterince korunamaz.

**c) Koruyucu kapak mutlaka güvenli şekilde takılmalı ve güvenliği maksimum ölçüde sağlayacak ve diskin kullancısına bakan kısmını mümkün olduğunca kapatacak şekilde yerleştirilmelidir.** Muhafaza, operatörü kırılan disk parçalarına, kazara diske temas etmesine ve kıyafetlerinin tutuşmasına neden olabilecek kivilcimlere karşı korur.

**d) Diskler mutlaka sadece önerilen uygulamalarda kullanılmalıdır. Örneğin: kesme diskinin kenarını kesinlikle taşlama amacıyla kullanmayın.** Kesici taşlama diskleri çevresel taşlama için tasarlanmıştır ve bu disklere uygulanan yan kuvvetler disklerin kırılmasına neden olabilir.

**e) Mutlaka seçilen disk için hasarsız, doğru büyüklükte ve şekilde disk flanşları kullanın.** Uygun disk flanşları diski destekleyecek ve böylece diskin kırılma olasılığını azaltacaktır. Kesme diskleri için kullanılan flanşlar, taşlama diski flanşlarından farklı olabilir.

**f) Daha büyük makinelere ait aşınmış diskleri kesinlikle kullanmayın.** Daha büyük makineler için tasarlanan diskler, daha küçük ve daha hızlı makineler için uygun değildir ve kırılabilir.

#### **Taşlama ve Kesici Taşlama İşlemlerine Özel İlave Güvenlik Uyarıları:**

**a) Kesme diskinin "sıkışmasına" izin vermeyin ve aşırı basınç uygulamayın. Aşırı derinlikte kesme yapmaya çalışmayın.** Diskin aşırı derincede zorlanması disk üzerindeki yükleri artırır, diskin daha kolay eğilmesine ve bükülmesine yol açar ve geri tepme ve diskin kırılma ihtimalini artırır.

**b) Dönen disk ile aynı hizada veya dönen diskin arkasında durmayın.** Disk çalışma noktasında operatörden uzağa doğru hareket ederken bir geri tepme olması halinde dönen disk ve alet doğrudan operatöre doğru savrulabilir.

**c) Diskin sıkışması veya herhangi bir nedenden dolayı işleme ara verilmesi durumunda, aleti kapatın ve disk tamamen durana kadar aleti bırakmayın.** Disk dönerken kesinlikle kesme diskinin iş parçasından çıkarmaya çalışmayın, aksi takdirde geri tepebilir. Diskin sıkışmasının nedenlerini araştırın ve bunları ortadan kaldırmak için gerekli düzeltici önlemleri alın.

**d) Disk, işparçasındayken kesme işlemine yeniden başlamayın.** Diskin tekrar tam hıza ulaşmasını bekleyin ve işparçasını dikkatli bir şekilde yeniden kesmeye başlayın. Disk, işparçasındayken makinenin yeniden çalıştırılması halinde disk sıkışabilir, kayabilir veya geri tepebilir.

**e) Diskin sıkışma ve geri tepme riskini minimum seviyeye indirmek için levhaları ve normalden büyük iş parçalarını destekleyin.** Büyük işparçaları kendi ağırlıkları altında bükülme eğilimi gösterirler. Kesim çizgisinin yanına ve diskin her iki tarafında

işparçasının kenarlarına gelecek şekilde işparçasının altına destekler yerleştirilmelidir.

**f) Mevcut duvarlara veya diğer kör noktalara "dalma kesmesi" yaparken daha dikkatli olun.** Malzeme içine dalan diskler kesme işlemi sırasında gaz ve su borularına, elektrik kablolarına veya benzeri parçalara rastlayarak geri tepme kuvveti oluşturabilir.

#### **Zımparalama İşlemleri İçin Özel Güvenlik Uyarıları:**

**a) Aşırı büyük zımpara diski kağıdı kullanmayın. Zımpara kağıdını seçerken üreticinin önerilerini dikkate alın.** Zımpara altlığından taşan zımpara kağıtları yaralanma tehlikesi oluşturabilir ve diskin sıkışmasına veya yırtılmasına veya geri tepme kuvvetlerinin oluşmasına neden olabilir.

#### **Tel Fırçalama İşlemlerine Özel Güvenlik Uyarıları:**

**a) Tel fırçanın normal çalışma koşullarında da tellerini kaybettiğine dikkat edin. Tellerin fazla gerilmemesi için fırçaya aşırı yük uygulamayın.** Kopan veya fırlayan tel parçaları ince kıyafetleri veya derinizi kolaylıkla delebilir.

**b) Tel fırçalama işlemi için bir koruyucu kapağın kullanılması öneriliyorsa, koruyucu kapak ile tel diskin veya tel fırçanın temas etmesini önleyin.** Tel disklerin veya fırçaların çapları, çalışma yükü ve merkezkaç kuvvetleri nedeniyle genişleyebilir.

#### **Ek Güvenlik Uyarıları:**

- 16. Ortası çukur taşlama diskleri ile sadece fibreglas ile güçlendirilmiş disklerin kullanıldığından emin olun.**
- 17. Bu taşlama makinesiyle birlikte KESİNLİKLE Konik Taşlama diskleri KULLANMAYIN.** Bu taşlama makinesi bu tür disklerle birlikte kullanılmı için tasarlanmamıştır ve böyle bir ürünün kullanımı ciddi yaralanmalara neden olabilir.
- 18. Mile, flanşa (özellikle montaj yüzeyine) ve kilit somununa zarar vermeye dikkat edin. Bu parçalara verilecek zararlar diskin kırılmasına neden olabilir.**
- 19. Diskin, makine çalıştırılmadan önce işparçasıyla temas etmesine dikkat edin.**
- 20. Makineyi gerçek bir işparçası üzerinde kullanmadan önce bir süre boş çalıştırın. Diskin yanlış takıldığından veya uygun şekilde dengelenmediğinin göstergesi olan titreşim veya sarsıntı olmadığına dikkat edin.**
- 21. Taşlama yaparken, diskin taşlama için belirtilen yüzeyini kullanın.**
- 22. Çalışır durumdayken makinenin başından ayrılmayın. Makineyi yalnızca ellerinizle tutarken çalıştırın.**
- 23. Çalışmanız bittikten hemen sonra işparçasına dokunmayın. İşparçası, aşırı sıcak olabileceğinden yanıklara yol açabilir.**
- 24. Diskleri takarken ve kullanırken üreticinin talimatlarını dikkate alın. Diskleri dikkatli kullanın ve saklayın.**
- 25. Büyük delikli zımpara disklerini alete uydurmak için bağımsız daraltma burçları veya adaptörleri kullanmayın.**
- 26. Yalnızca bu makine için belirtilen flanşları kullanın.**

27. Dişli delikli disk takılması öngörülen aletlerde diskteki dişlinin, mil uzunluğunu karşılayacak kadar uzun olmasına dikkat edin.
28. İşparçasının sağlam şekilde desteklendiğinden emin olun.
29. Makineyi kapattıktan sonra diskin bir süre daha dönmeye devam edeceğine dikkat edin.
30. Çalıştığınız ortam aşırı sıcak ve nemli veya yoğun biçimde iletken tozla kaplı ise güvenli bir çalışma için bir kısa devre kesicisi (30 mA) kullanın.
31. Makineyi asbest içeren malzemelerde kullanmayın.
32. Kesme diskini kullanırken, mutlaka ilgili yönetmelikte belirtilen toz toplayıcı disk koruyucusu ile çalışın.
33. Kesme diskleri hiçbir yanal basınca maruz bırakılmamalıdır.
34. Çalışma sırasında kumaş iş eldiveni takmayın. Kumaş eldivenlerden çıkan tüyler makineye girerek makinenin arızalanmasına yol açabilir.

## BU TALİMATLARI SAKLAYIN.

### ⚠ UYARI:

Ürünü kullanırken defalarca kullanmanızı getirdiği rahatlık ve tanıdıklık duygusunun, güvenlik kurallarına sıkı sıkıya bağlı kalmanızı önlemesine İZİN VERMEYİN. YANLIŞ KULLANIM veya bu kullanım kılavuzunda belirtilen güvenlik kurallarına uyulmaması ciddi yaralanmalara neden olabilir.

## BATARYA KARTUŞU HAKKINDA ÖNEMLİ GÜVENLİK TALİMATLARI

ENC007-12

1. Aküyü kullanmaya başlamadan önce (1) akü şarj cihazı, (2) akü ve (3) akünün takıldığı ürüne ilişkin tüm talimatları ve uyarıları okuyun.
2. Aküyü sökmeye çalışmayın.
3. Çalışma süresinde önemli bir kısılma gözlerseniz, hemen çalışmayı bırakın. Bu durum aşırı ısınmaya, yangına ve hatta patlamaya yol açabilir.
4. Elektrolit (akü sıvısı) gözlerinize temas ederse, bol temiz suyla yıkayın ve derhal bir doktora başvurun. Elektrolit körlüğe neden olabilir.
5. Akünün kısa devre yapmasını önleyin:
  - (1) Herhangi bir iletken nesne ile akü uçlarına dokunmayın.
  - (2) Aküyü çivi, madeni para vb. metal nesnelerin bulunduğu bir yerde saklamayın.
  - (3) Aküyü suya veya yağmura maruz bırakmayın. Aküde oluşan kısa devre büyük bir elektrik akımına, aşırı ısınmaya, yangına ve aletin bozulmasına yol açabilir.
6. Aleti ve aküyü 50°C (122°F) sıcaklığa ulaşabilecek veya bu değeri aşabilecek ortamlarda saklamayın.
7. Önemli ölçüde hasar görmüş veya tümüyle tükenmiş olsa da aküyü kesinlikle yakarak imha etmeye çalışmayın. Akü ateşe atıldığında patlayabilir.
8. Akünün düşmemesine ve darbe almamasına dikkat edin.
9. Hasarlı bir aküyü kesinlikle kullanmayın.

10. **Aletin içerdiği lityum-iyon bataryalar Tehlikeli Eşyalar Yönetmeliğinin gereksinimlerine tabidir.** Ticari nakliye işlemleri için, örneğin üçüncü taraflar, nakliye acenteleri tarafından yapılan nakliyelerde, paketleme ve etiketleme gereksinimlerine uyulmalıdır. Nakliyesi yapılacak ürünün hazırlanması için, tehlikeli maddeler konusunda uzman bir kişiye danışın. Lütfen muhtemelen daha ayrıntılı olan ulusal yönetmeliklere de uyun. Açık kontakları bantlayın ya da maskeleyin ve bataryayı paketin içinde hareket etmeyecek şekilde paketleyin.
11. **Akünün atılması sırasında ilgili yönetmeliklere uyun.**
12. **Akülerini sadece Makita tarafından belirtilen ürünlerle kullanın.** Akülerin, uyumlu olmayan ürünlere takılması yangına, aşırı ısınmaya, patlamaya veya elektrolit sızıntısına neden olabilir.

## BU TALİMATLARI SAKLAYIN.

### ⚠ DİKKAT: Sadece orijinal Makita bataryalarını kullanın.

Orijinal olmayan Makita bataryaları ya da üzerine değişiklik yapılmış bataryaların kullanımı bataryanın patlamasına ve sonuç olarak yangın, kişisel yaralanma ve hasara neden olabilir. Ayrıca Makita aleti ve şarj aletinin Makita tarafından sunulan garantisine de geçersiz olur.

### Akünün öngörülen maksimum ömrü dolana kadar kullanılması için öneriler

1. Aküyü tamamen boşalmasını beklemeden şarj edin. Aletin çalışma gücünde bir azalma gördüğünüzde, mutlaka çalışmayı bırakıp, aküyü şarj edin.
2. Tam olarak şarj edilmiş bir aküyü tekrar şarj etmeyin. Akünün normalden fazla şarj edilmesi ömrünü kısaltır.
3. Aküyü 10°C - 40°C (50°F - 104°F) değerlerini aşmayan oda sıcaklığında şarj edin. Akü ısınmışsa, şarj etmeden önce soğumasını bekleyin.
4. Uzun (altı ayı aşkın) bir süredir kullanmıyorsanız aküyü şarj edin.

## KULLANIMA İLİŞKİN TANIMLAR

### ⚠ DİKKAT:

- Makine üzerinde ayar veya başka bir kontrol işlemi gerçekleştirmeden önce makinenin kapalı ve aküsünün çıkarılmış olduğundan emin olun.

### Akünün takılması ve çıkarılması (Şekil 1)

### ⚠ DİKKAT:

- Aküyü takmadan ve çıkarmadan önce mutlaka makineyi kapalı konuma getirin.
- Aküyü takarken ve çıkartırken makineyi ve aküyü sıkıca tutun. Aksi takdirde, makine ve akü elinizden kayarak düşebilir ve neticesinde makine ve akü hasarları ve yaralanmalar meydana gelebilir. Aküyü çıkarmak için akünün ön tarafında bulunan düğmeyi bastırın ve aküyü çekerek makineden çıkartın.

Aküyü takmak için aküdeki dili makine gövdesindeki yuvayla aynı hizaya getirin ve aküyü iterek yerine oturmasını sağlayın. Akünün tam yerine oturduğunu klik sesinden anlayabilirsiniz. Düğmenin üst tarafında bulunan kırmızı göstereyi görüyorsanız, akü tam olarak kilitlememiştir.

#### ⚠ DİKKAT:

- Kırmızı göstere tamamen kayboluncaya kadar aküyü itin. Aksi takdirde, akü makineden kayıp düşebilir ve operatörün veya çevredeki kişilerin yaralanmasına neden olabilir.
- Aküyü zorlayarak takmaya çalışmayın. Akünün makineye rahatça takılmaması, yanlış takıldığını gösterir.

## Açma/kapama işlemi

#### ⚠ DİKKAT:

- Aküyü makineye takmadan önce, açma/kapama düğmesinin doğru çalıştığını ve açma/kapama düğmesinin arkasına basıldığında makinenin “KAPALI” konuma döndüğünü kontrol edin.
- Uzun süreli kullanımlarda operatöre kolaylık sağlanması için açma/kapama düğmesi “AÇIK” konumda kilitlenebilir. Makineyi “AÇIK” konumda kilitletken dikkatli olun ve makineyi sıkıca kavrayın.

Makineyi çalıştırmak için, açma/kapama düğmesini arkasına bastırarak “I (AÇIK)” konumuna kaydırın. Devamlı çalıştırma için, açma/kapama düğmesinin ön kısmına bastırarak kilitleyin.

Makineyi durdurmak için, açma/kapama düğmesinin arkasına basın ve ardından “O (KAPALI)” konumuna kaydırın. (Şekil 2)

## Kazara çalışmayı önleme işlevi

Makineye akü takılıken açma/kapama düğmesi “I (AÇIK)” konumunda olsa dahi, makine çalışmaz. Makineyi çalıştırmak için, öncelikle açma/kapama düğmesini “O (KAPALI)” konumuna kaydırın ve ardından “I (AÇIK)” konumuna getirin.

## Elektronik tork kontrol işlevi










Makine, diskin veya aksesuarın sıkışma riskinin olduğu durumları elektronik olarak tespit eder. Böyle bir durumda makine, milin daha fazla dönmesini engellemek üzere otomatik olarak kapanır (Ancak, geri tepmeyi engellemez).

Makineyi yeniden başlatmak için öncelikle makineyi kapalı konuma getirin, dönüş devrindeki ani düşüşün nedenini oradan kaldırın ve ardından makineyi açık konuma getirin.

## Kalan akü kapasitesinin kontrol edilmesi

### Sadece göstergeli aküler için (Şekil 3)

Kalan akü kapasitesini görmek için akü üzerindeki kontrol düğmesine basın. Ardından, gösterge lambaları birkaç saniye yanar.

Gösterge lambaları			Kalan kapasite
 Açık	 Kapalı	 Yanıp sönüyor	
			%75 ile %100 arası
			%50 ile %75 arası
			%25 ile %50 arası
			%0 ile %25 arası
			Aküyü şarj edin.
			Akü bozulmuş olabilir.

015658

#### NOT:






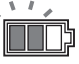

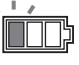


- Gösterilen kapasite seviyesi, kullanım koşullarına ve ortam sıcaklığına bağlı olarak gerçek seviyeden bir miktar farklı olabilir.

## Kalan akü kapasitesinin kontrol edilmesi

(Ülkeye özel) (Şekil 4)



Makineyi açık konuma getirdiğinizde, akü göstergesinde kalan akü kapasitesi görüntülenir.

Kalan akü kapasitesi aşağıdaki tablodaki gibi gösterilir.

Akü göstergesinin durumu			Kalan akü kapasitesi
 : Açık	 : Kapalı	 : Yanıp sönüyor	
			%50 - %100
			%20 - %50
			%0 - %20
			Aküyü şarj edin

015096

## Otomatik hız deęiřtirme iřlevi (řekil 5)

Mod gstergesinin durumu	alıřma modu
	Yksek devir modu
	Yksek tork modu

015098

Bu makine “yksek devir moduna” ve “yksek tork moduna” sahiptir. alıřma ykne baęlı olarak, alıřma modunu otomatik olarak deęiřtirir. alıřma sırasındaki otomatik mod gstergesi yanıyorrsa, makine yksek tork modundadır.

## Makine/ak koruma sistemi

Bu makinede bir makine/ak koruma sistemi mevcuttur. Bu sistem, makine ve ak mrn uzatmak iin motora beslenen gc otomatik olarak keser.





Makine veya ak iin ařaęıda sıralanan durumlardan birinin geerli olması halinde, alıřmayı otomatik olarak durdurur. Bazı durumlarda gsterge yanar.

### Ařır yk koruması

Makine, ařırı derecede yksek akım ekecek řekilde alıřtırıldıęında herhangi bir uyarı vermeksizin otomatik olarak durur. Byle bir durumda, makineyi kapalı konuma getirin ve makinenin ařırı yklenmesine neden olan uygulamayı durdurun. Ardından, yeniden bařlatmak zere makineyi tekrar aık konuma getirin.

### Makine iin ařır ısınma koruması





Makine ařır ısınırsa, makine otomatik olarak durur ve ak gstergesi ařaęıdaki durumları gsterir. Byle bir durumda, makineyi tekrar aık konuma getirmeden nce makinenin soęumasını bekleyin.

Ak gstergesi	 : Aık	 : Kapalı	 : Yanıp snyor
	Makine ařır ısınmıřtır		

015140

### Koruma kilidinin devre dıřı bırakılması

Koruma sistemi arka arkaya devreye girerse, makine kilitletir ve ak gstergesi ařaęıda gsterildięi řekilde yanar.

Ak gstergesi	 : Aık	 : Kapalı	 : Yanıp snyor
	Koruma kilidi devrededir		

015200

Bu durumda aık ve kapalı konuma getirilse dahi makine alıřmaz. Koruma kilidini devre dıřı bırakmak iin, aky ıkartın, aky řarj cihazına takın ve řarj iřlemi sona erene kadar bekleyin.

## řaft kilidi

### ⚠ DİKKAT:

- Mil dnerken řaft kilidini kesinlikle devreye sokmayın. Aksi takdirde makine hasar grebilir.
- Aksesuarları ıkartırken veya takarken milin dnmesini engellemek iin řaft kilidine basın. (řekil 6)

## MONTAJ

### ⚠ DİKKAT:

- Makine zerinde herhangi bir iřlem yapmadan nce makinenin kapalı ve aksnn ıkartılmış olduęundan emin olun.

## Yan kolun (sapın) takılması

### ⚠ DİKKAT:

- alıřmaya bařlamadan nce yan kolun gvenli bir řekilde sabitlendięinden emin olun.
- Makine, řekilde gsterilen konumdayken yan kolu sıkıca vidalayın. (řekil 7)

## Disk muhafazasının takılması ve sklmesi (Ortası ukur diskler, oklu diskler/kesci tařlama diskleri, elmas diskler iin)

### ⚠ UYARI:

- Ortası ukur bir tařlama diski/oklu disk, esnek disk, tel disk fıra, kesme diski veya elmas disk kullanırken, disk muhafazası mutlaka kapalı tarafı operatre bakacak řekilde takılı olmalıdır.
- Kesici tařlama diski/elmas disk kullanılırken, kesme diskleriyle kullanım iin tasarlanan zel bir disk muhafazasının kullanıldıęından emin olun. (Bazı Avrupa lkelerinde elmas disk kullanılırken, normal muhafaza kullanılabilir. Bulunduęunuz lkede yrrlkte olan kurallara uyun.)

## Sıkıřtırma mandalı tipinde disk muhafazasına sahip makineler iin

Vidayı gesettikten sonra disk muhafazası zerindeki mandalı gesettin. Disk muhafazası, disk muhafazası bandı zerindeki ıkıntı, yatak kutusu zerindeki tırnakla aynı hizaya gelecek řekilde takın. Daha sonra disk muhafazasını, operatr alıřma pozisyonuna gre koruyacaęı bir aıya getirin. (řekil 8)

Disk muhafazasını sabitlemek iin mandalı sıkın. Disk muhafazasını sabitleyen mandalın ok sıkı veya ok gesek olması durumunda, disk muhafazası bandını ayarlamak iin vidayı gesettin veya sıkın. (řekil 9)

Disk muhafazasını ıkartmak iin takma iřlemlerini ters sırayla uygulayın.

## Kilit vidası tipinde disk muhafazasına sahip makineler iin (řekil 10)

Disk muhafazasını, disk muhafazası bandı zerindeki ıkıntılar, yatak kutusu zerindeki girintilerle aynı hizaya gelecek řekilde takın. Ardından, disk muhafazasını saat ynnn tersine 180° dndrn. Vidanın saęlam řekilde sıkıldıęından emin olun.

Disk muhafazasını ıkartmak iin takma iřlemlerini ters sırayla uygulayın.

## Ortası çukur diskin veya flap diskin (opsiyonel aksesuar) takılması ve çıkartılması

### ⚠ UYARI:

- Ortası çukur disk veya flap disk kullanılırken, diskin muhafazası mutlaka kapalı tarafı operatöre bakacak şekilde takılı olmalıdır.
- Şaft kilidini yalnızca mil çalışmadığı zaman devreye sokun.

İç flanşı mil üzerine takın. Diski iç flanşın üzerine yerleştirin ve kilit somununu mile vidalayın. (Şekil 11) Kilit somununu sıkarak için şaft kilidini sıkıca bastırarak milin dönmelerini önleyin ve ardından bir somun anahtarı kullanarak kilit somununu saat yönünde çevirerek iyice sıkın. (Şekil 12) Diski sökmek için takma işlemlerini ters sırayla uygulayın.

## Ezynut'un (opsiyonel aksesuar) takılması veya çıkartılması

### ⚠ DİKKAT:

- Ezynut'ı Süper Flanş veya model numarasının sonunda "F" harfi bulunan açılı taşlama makineleriyle birlikte kullanmayın. Bu flanşlar çok kalındır, bu nedenle tüm diş, mil tarafından tutulamaz.

İç flanşı, zımpara diskinin ve Ezynut'ı mil üzerine takarken Ezynut üzerindeki Makita Logosunun dışarı baktığından emin olun. (Şekil 13) Şaft kilidini sıkıca bastırın ve zımpara diskinin saat yönünde sonuna kadar çevirerek Ezynut'ı sıkın. Gevşetmek için, Ezynut'un dış halkasını saat yönünün tersine çevirin. (Şekil 14)

### NOT:

- Ok, tırnak yönünü gösterdiği sürece Ezynut elle gevşetilebilir. Aksi takdirde, bu işlem için bir somun anahtarı gereklidir. Anahtarın bir pimini bir deliğe sokun ve Ezynut'ı saat yönünün tersine çevirin. (Şekil 15 ve 16)

## Fleks diskin takılması veya çıkarılması

### İsteğe bağlı aksesuar

### ⚠ UYARI:

- Fleks disk alet üzerindeyken daima verilen siperi kullanın.** Disk kullanım sırasında kırılabilir ve siper kişisel yaralanma olasılığını azaltır. (Şekil 17) Merkezden basmalı disk için verilen talimatları izleyin fakat ayrıca diskin üzerinde yedek altlık kullanın. Bu kılavuzun aksesuarlar sayfasında verilen montaj düzenine bakın.

## Taşlama diskinin (opsiyonel aksesuar) takılması veya çıkartılması (Şekil 18)

Kauçuk altlığı mile monte edin. Diski kauçuk altlığa yerleştirin ve kilit somununu mile vidalayın. Kilit somununu sıkarak için şaft kilidini sıkıca bastırarak milin dönmelerini önleyin ve ardından bir somun anahtarı kullanarak kilit somununu saat yönünde çevirerek iyice sıkın. Diski sökmek için, montaj işlemlerini ters sırayla uygulayın.

### NOT:

- Yalnızca bu kullanım kılavuzunda belirtilen zımparalama aksesuarlarını kullanın. Bu aksesuarların ayrıca satın alınması gerekir.

## ÇALIŞTIRMA

### ⚠ UYARI:

- Hiçbir durumda makineyi zorlamanıza gerek olmayacaktır. Makinenin ağırlığı yeterli baskı uygular. Zorlama ve aşırı baskı diskin tehlikeli bir şekilde kırılmasına yol açabilir.
- Taşlama esnasında makineyi düşürürseniz, disk MUTLAKA değiştirin.
- Taşlama diskinin ya da çarkının KESİNLİKLE iş parçası üzerine çarpmayın veya vurmayın.
- Özellikle köşelerde, keskin kenarlarda vs. çalışırken diskin sekmesine veya takılmasına izin vermeyin. Bu, kontrol kaybına ve geri tepmeye neden olabilir.
- Makinede KESİNLİKLE ahşap kesme bıçakları ve diğer testere bıçaklarını kullanmayın. Bu bıçaklar bir taşlama makinesinde kullanıldıkları zaman, sık sık tepme yaparak kontrol kaybına ve dolayısıyla yaralanmalara neden olabilir.

### ⚠ DİKKAT:

- İş parçasıyla temas halindeyken makineyi asla çalıştırmayın. Aksi takdirde yaralanabilirsiniz.
- Çalışma sırasında daima koruyucu gözlük veya yüz maskesi kullanın.
- Çalışma sonrasında makineyi mutlaka kapatın ve makineyi bırakmadan önce diskin tamamen durmasını bekleyin.

## Taşlama ve zımparalama işlemi (Şekil 19)

Makineyi DAİMA bir elinizle gövdeden ve diğer elinizle sapını sıkıca tutarak çalıştırın. Makineyi çalıştırın ve disk iş parçasına uygulayın.

Genel olarak, disk iş parçası yüzeyine yaklaşık 15 derecelik bir açıyla tutmaya dikkat edin.

Yeni bir diskle ilk uygulamayı yaparken, taşlama makinesini B yönünde çalıştırmayın, aksi takdirde iş parçası kesilecektir. Disk kenarı kullanım nedeniyle yuvarlaklaşınca, disk hem A hem de B yönünde kullanılabilirsiniz.

## Aşındırıcı kesme disk/elmas disk ile çalışma

### İsteğe bağlı aksesuar

### ⚠ UYARI:

- Bir aşındırıcı kesme disk/elmas disk kullanıldığı zaman, sadece kesme diskleriyle kullanılmak için belirlenmiş özel disk siperini kullandığınızdan emin olun.** (Bazı Avrupa ülkelerinde, elmas disk kullanılırken normal siper kullanılabilir. Ülkenizdeki yönetmeliklere uygun davranın.)
- Kenar taşlama için ASLA kesme disk kullanmayın.**
- Diski "sıkıştırılmayın" veya aşırı basınç uygulamayın. Aşırı derinlikte bir kesme yapmaya çalışmayın.** Diskin aşırı zorlanması yükü ve diskin kesik içinde bükülme veya takılma olasılığını arttırarak,

geri tepmeye, diskin kırılmasına ve motorun aşırı ısınmasına neden olabilir.

- **İş parçasında kesme işlemine başlamayın. Diskin tam hızı ulaşmasını bekleyin ve dikkatli şekilde kesişin içine girerek, aleti iş parçasının yüzeyi boyunca ileri doğru ilerletin.** Elektrikli alet iş parçası içinde çalıştırılırsa, disk takılabilir, yukarı tırmanabilir veya geri tepebilir.
- **Kesme işlemleri sırasında, diskin açısını kesinlikle değiştirmeyin.** Kesme diskine (taşlamada olduğu gibi) yan basınç uygulanması diskin kırılmasına ve kopmasına neden olarak, ciddi yaralanmalara yol açabilir.
- **Bir elmas disk kesilecek malzemeye dik olarak çalıştırılmalıdır. (Şekil 20)**

Takmak için, merkezden basmalı disk için olan talimatları izleyin.

**Kilit somununu ve iç flanş monte etme yönü disk tipi ve kalınlığına göre değiştir.**

Aşağıdaki şekillere bakın.

## 100 mm model için

**Aşındırıcı kesme diskini takarken: (Şekil 21)**

**Elmas disk takarken: (Şekil 22)**

## 115 mm/125 mm model için

**Aşındırıcı kesme diskini takarken: (Şekil 23)**

**Elmas disk takarken: (Şekil 24)**

## Tel temizleme fırçasının (opsiyonel aksesuar) kullanımı

### ⚠ DİKKAT:

- Makineyi yüksüz çalıştırarak fırçanın çalışmasını kontrol edin ve bu sırada fırçanın önünde veya çevresinde kimsenin olmadığından emin olun.
- Hasarlı veya dengesiz fırçaları kesinlikle kullanmayın. Hasarlı bir fırçanın kullanılması, kopmuş fırça tellerinden dolayı yaralanma riskini artırabilir.

Aküyü makeden çıkartın ve mile kolayca ulaşabilmek için makineyi ters çevirin. Mildeki tüm aksesuarları çıkartın. Tel temizleme fırçasını mile yerleştirin ve ürüne verilen anahtarı kullanarak sıkın. Fırça kullanılırken, çok fazla basınç uygulamaktan kaçının, aksi takdirde teller eğilebilir ve aksesuarın zamanından önce yıpranmasına neden olabilir. (Şekil 25)

## Tel disk fırçasının (opsiyonel aksesuar) kullanımı

### ⚠ DİKKAT:

- Makineyi yüksüz çalıştırarak tel disk fırçasının çalışmasını kontrol edin ve bu sırada fırçanın önünde veya çevresinde kimsenin olmadığından emin olun.
- Hasarlı veya dengesiz tel disk fırçalarını kesinlikle kullanmayın. Hasarlı bir tel disk fırçasının kullanılması, kopmuş fırça telleri nedeniyle yaralanma riskini artırabilir.
- Tel disk fırçaları ile birlikte DAİMA muhafaza kullanın ve diskin çapının muhafazanın yuvasına uygun olduğundan emin olun. Kullanım esnasında disk

kırılabilir. Bu durumda muhafaza yaralanma riskini azaltacaktır.

Aküyü makeden çıkartın ve mile kolayca ulaşabilmek için makineyi ters çevirin. Mildeki tüm aksesuarları çıkartın. Tel disk fırçasını mile yerleştirin ve anahtarlar yardımıyla sıkın. (Şekil 26)

Tel disk fırçasını kullanırken, çok fazla basınç uygulamaktan kaçının, aksi takdirde teller eğilebilir ve aksesuarın zamanından önce yıpranmasına neden olabilir.

## BAKIM

### ⚠ DİKKAT:

- Makinede herhangi bir kontrol veya bakım işlemine başlamadan önce makinenin kapalı ve aküsünün çıkartılmış olduğundan emin olun.
- Kesinlikle gazolin, benzin, tiner, alkol veya benzeri bir madde kullanmayın. Aksi takdirde renk bozulması, deformasyon veya çatlaklar meydana gelebilir.

Makine ve havalandırma kanalları mutlaka temiz tutulmalıdır. Makinenin havalandırma kanallarını düzenli olarak ya da kanallar tıkanmaya başlayınca temizleyin. (Şekil 27)

Toz kapağını hava girişi kanalından çıkartın ve sorunsuz hava sirkülasyonu için temizleyin. (Şekil 28)

### NOT:

- Toz kapağını toz veya diğer yabancı maddelerle tıkandığı zaman temizleyin. Tıkalı bir toz kapağı ile çalışmayı sürdürmek alete zarar verebilir.

Ürünün EMNİYETLİ ve GÜVENİLİR durumda kalmasını sağlamak için tüm onarımlar, bakım ve ayarlar Makita yetkili servisleri veya fabrika servis merkezleri tarafından Makita yedek parçaları kullanılarak yapılmalıdır.

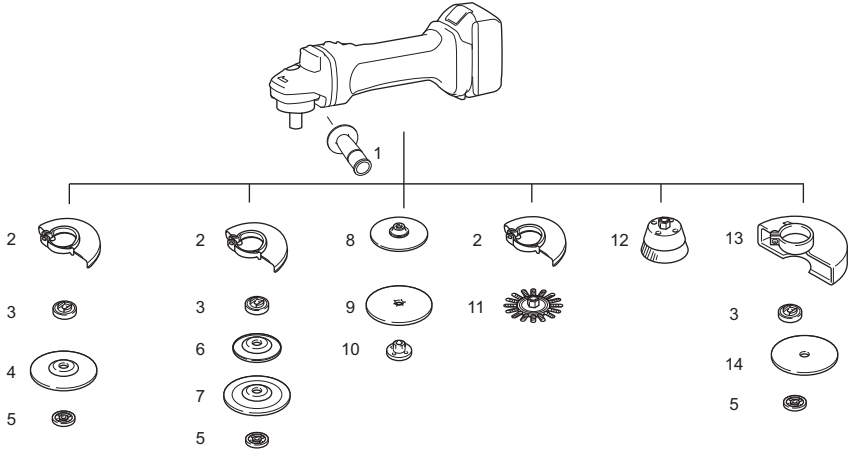
## OPSİYONEL AKSESUARLAR

### ⚠ DİKKAT:

- Bu kullanım kılavuzunda tanıtılan Makita marka makineyle aşağıdaki aksesuarların ve parçaların kullanılması önerilir. Bunların dışında başka aksesuarların veya parçaların kullanılması yaralanmalara yol açabilir. Aksesuarlar ve parçalar doğru şekilde ve öngörüldükleri işlevler için kullanılmalıdır.

Aksesuarlara ilişkin daha ayrıntılı bilgi almak için size en yakın yetkili Makita servisine başvurabilirsiniz.

- Orijinal Makita akü ve şarj cihazı



	100 mm model	115 mm model	125 mm model
1	Sap 36		
2	Disk Siperi (taşıma disk için)		
3	İç flanş	İç flanş/Süper flanş *1*2	İç flanş/Süper flanş
4	Merkezden basmalı disk/Flap disk		
5	Kilit somunu	Kilit somunu/Ezynut *1*2	Kilit somunu/Ezynut *2
6	Yedek altlık		
7	Fleks disk		
8	Kauçuk altlık 76	Kauçuk altlık 100	Kauçuk altlık 115
9	Zımpara kağıdı disk		
10	Zımpara kilit somunu		
11	Tel disk fırça		
12	Tel tas fırça		
13	Disk Siperi (kesme disk için) *3		
14	Aşındırıcı kesme disk/Elmas disk		
-	Kilit somunu anahtar		

Not:

\*1 Sadece M14 mil dişli aletler için.

\*2 Süper flanş ve Ezynut'u birlikte kullanmayın.

\*3 Bazı Avrupa ülkelerinde, elmas bir disk kullanılırken diskin her iki yanını kaplayan özel siper yerine normal siper kullanılabilir. Ülkenizdeki yönetmeliklere uygun davranın.

015100-2

**NOT:**

- Listedeki bazı parçalar makineyle birlikte standart aksesuar olarak verilebilir. Ürünle verilen aksesuarlar ülkeden ülkeye farklılıklar gösterebilir.

## Gürültü

ENG905-1

ENG902-1

EN60745 uyarınca belirlenen tipik A ağırlıklı gürültü seviyesi:

### Model DGA404

Ses basıncı seviyesi ( $L_{pA}$ ): 80 dB (A)  
Ses gücü seviyesi ( $L_{WA}$ ): 91 dB (A)  
Belirsizlik (K): 3 dB (A)

### Model DGA454, DGA504

Ses basıncı seviyesi ( $L_{pA}$ ): 79 dB (A)  
Belirsizlik (K): 3 dB (A)

Çalışma sırasında gürültü seviyesi 80 dB(A)'yı aşabilir.  
**Koruyucu kulaklık takın.**

## Titreşim

ENG900-1

EN60745'e göre belirlenen toplam titreşim değeri (üç eksenli vektörel toplam):

### Model DGA404

Çalışma modu: normal yan kol yardımıyla yüzey taşılama

Titreşim emisyonu ( $a_{h,AG}$ ): 4,5 m/sn<sup>2</sup>  
Belirsizlik (K): 1,5 m/sn<sup>2</sup>

Çalışma modu: titreşim önleyici yan kol yardımıyla yüzey taşılama

Titreşim emisyonu ( $a_{h,AG}$ ): 4,0 m/sn<sup>2</sup>  
Belirsizlik (K): 1,5 m/sn<sup>2</sup>

Çalışma modu: diskli zımparalama

Titreşim emisyonu ( $a_{h,DS}$ ): 2,5 m/sn<sup>2</sup> ve altı  
Belirsizlik (K): 1,5 m/sn<sup>2</sup>

### Model DGA454, DGA504

Çalışma modu: normal yan kol yardımıyla yüzey taşılama

Titreşim emisyonu ( $a_{h,AG}$ ): 6,5 m/sn<sup>2</sup>  
Belirsizlik (K): 1,5 m/sn<sup>2</sup>

Çalışma modu: titreşim önleyici yan kol yardımıyla yüzey taşılama

Titreşim emisyonu ( $a_{h,AG}$ ): 6,0 m/sn<sup>2</sup>  
Belirsizlik (K): 1,5 m/sn<sup>2</sup>

Çalışma modu: diskli zımparalama

Titreşim emisyonu ( $a_{h,DS}$ ): 2,5 m/sn<sup>2</sup> ve altı  
Belirsizlik (K): 1,5 m/sn<sup>2</sup>

- Belirtilen titreşim emisyonu değeri, standart test yöntemine göre ölçülmüştür ve makinenin diğer makinelerle karşılaştırılması için kullanılabilir.
- Belirtilen titreşim emisyonu değeri ayrıca maruziyetin ön değerlendirilmesinde de kullanılabilir.
- Belirtilen titreşim emisyonu değeri, bu makinenin temel uygulamaları için kullanılır. Ancak, makinenin başka uygulamalarda kullanılması durumunda titreşim emisyonu değeri değişebilir.

### ⚠ UYARI:

- Elektrikli aletin gerçek kullanımı sırasında ortaya çıkacak titreşim emisyonu, aletin kullanılma şekline bağlı olarak belirtilen emisyon değerinden farklı olabilir.
- Gerçek kullanım koşullarındaki maruziyeti tahmin ederek (örneğin, aletin açılma süresine ek olarak kapalı konuma getirildiği ve rölanide çalıştığı süreler gibi çalışma döngüsünün tüm bileşenlerini dikkate alın), kullanıcıyı korumak için gerekli güvenlik önlemlerinin alındığından emin olun.

### AT Uygunluk Beyanı

#### Sadece Avrupa ülkeleri için

AT uygunluk beyanı bu kullanım kılavuzunun Ek A'sında verilmiştir.

Makita Europe N.V.

Jan-Baptist Vinkstraat 2,  
3070 Kortenberg, Belgium

Makita Corporation

3-11-8, Sumiyoshi-cho,  
Anjo, Aichi 446-8502 Japan