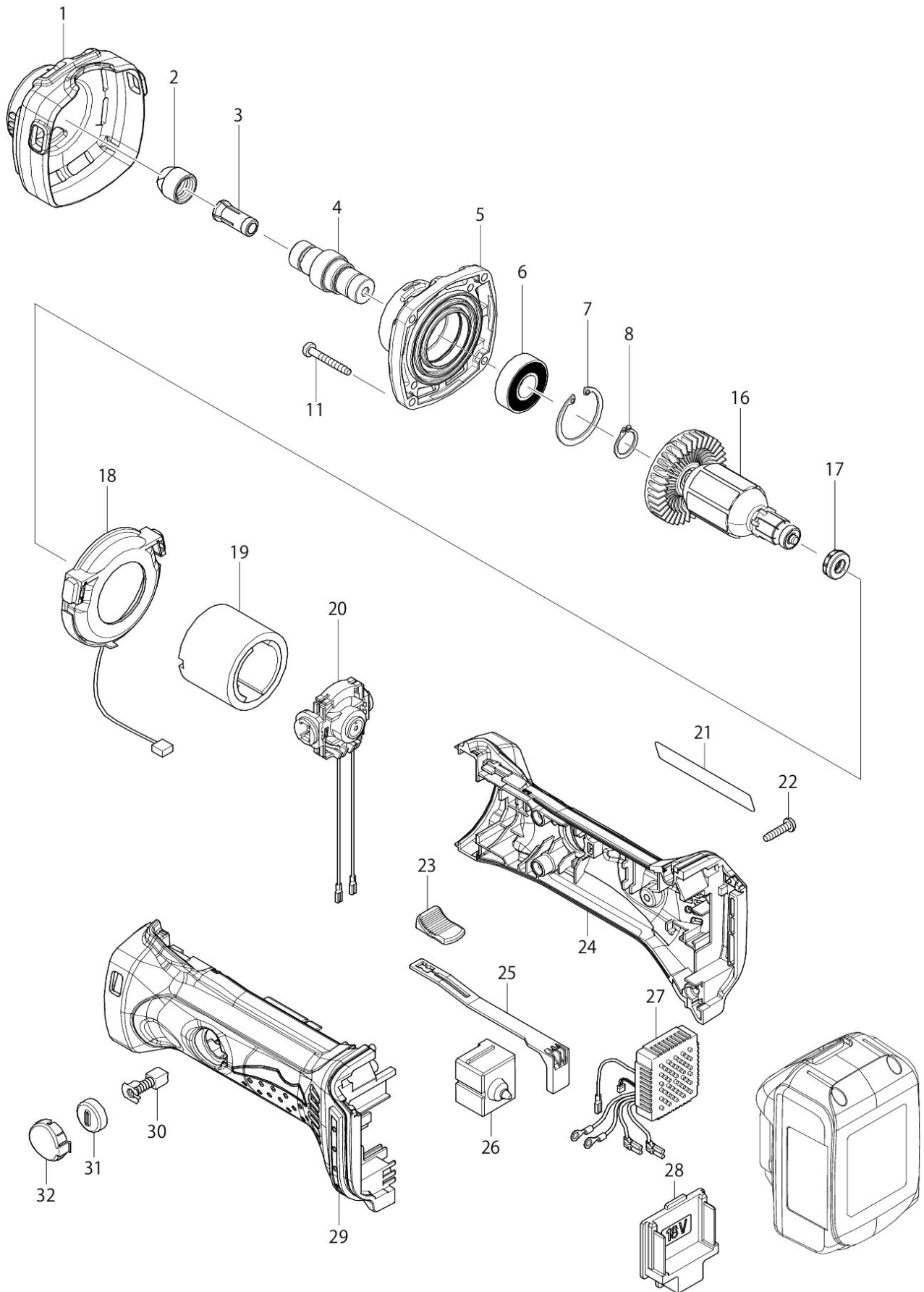


# Partdrawing for DGD801Z - Rechte slijper



2014/02  
DGD801