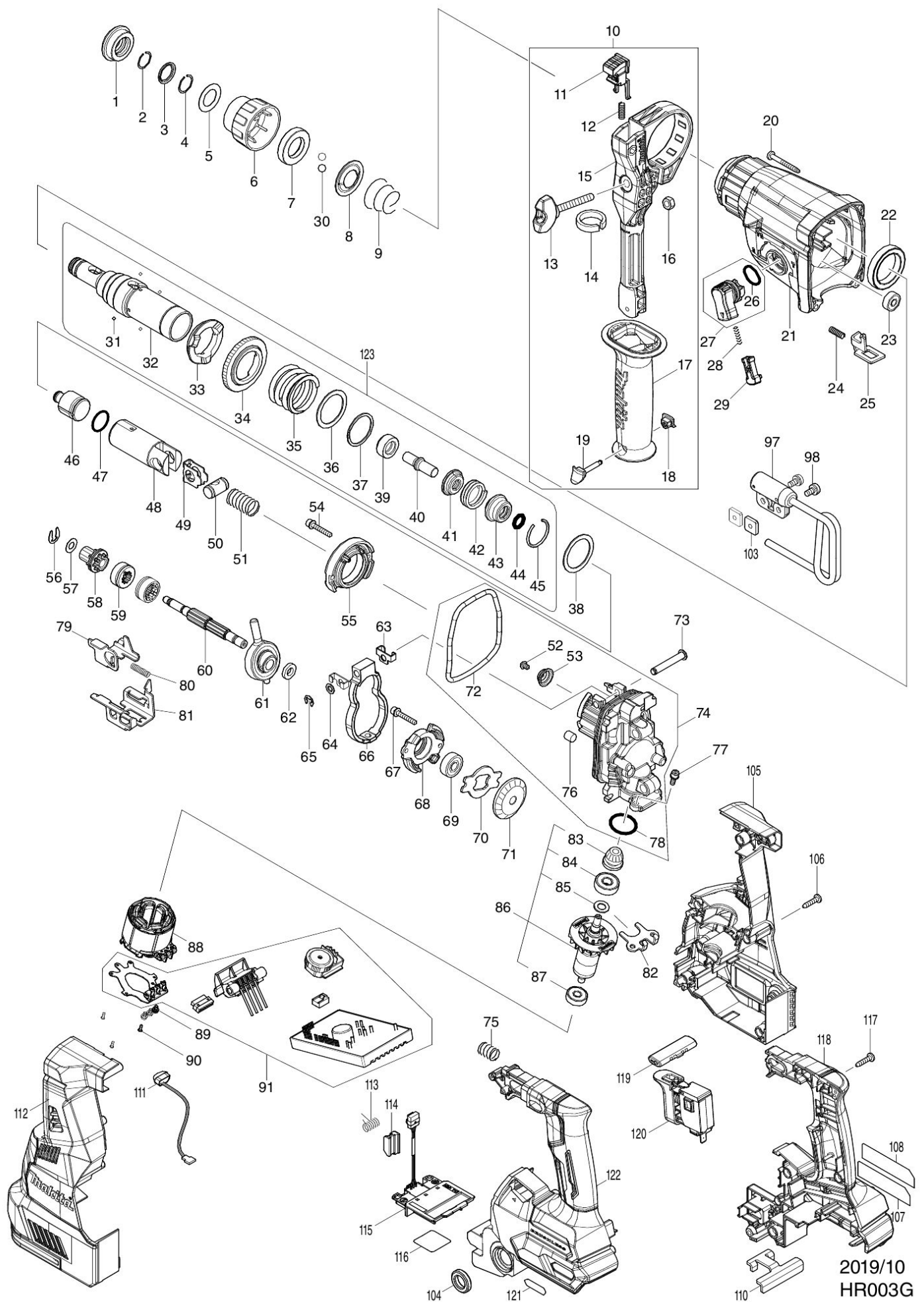


Partdrawing for HR003GM202 - Combihammer



2019/10
HR003G