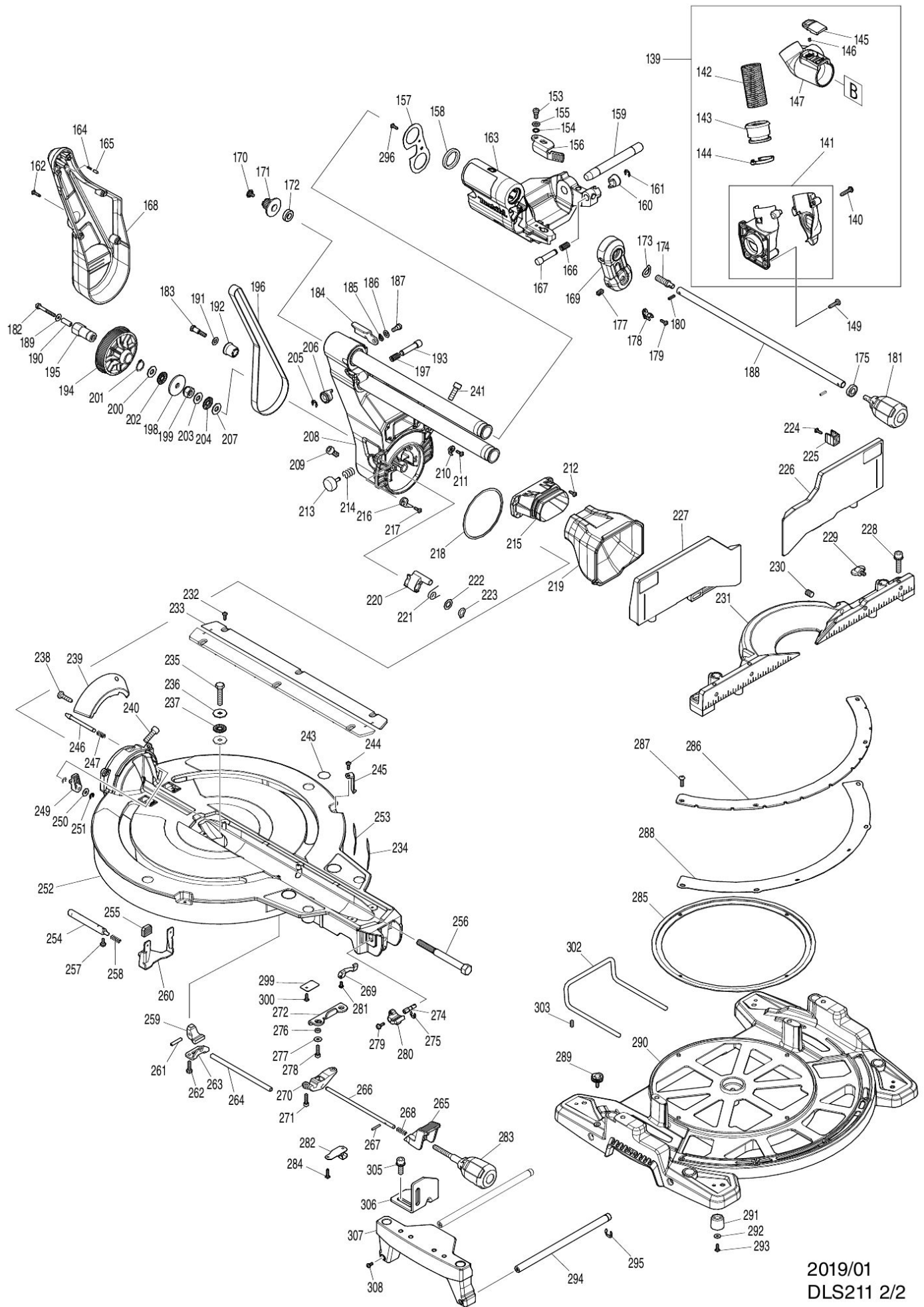


Partdrawing for DLS211PT2U - Arm & Voet



2019/01
DLS211 2/2

