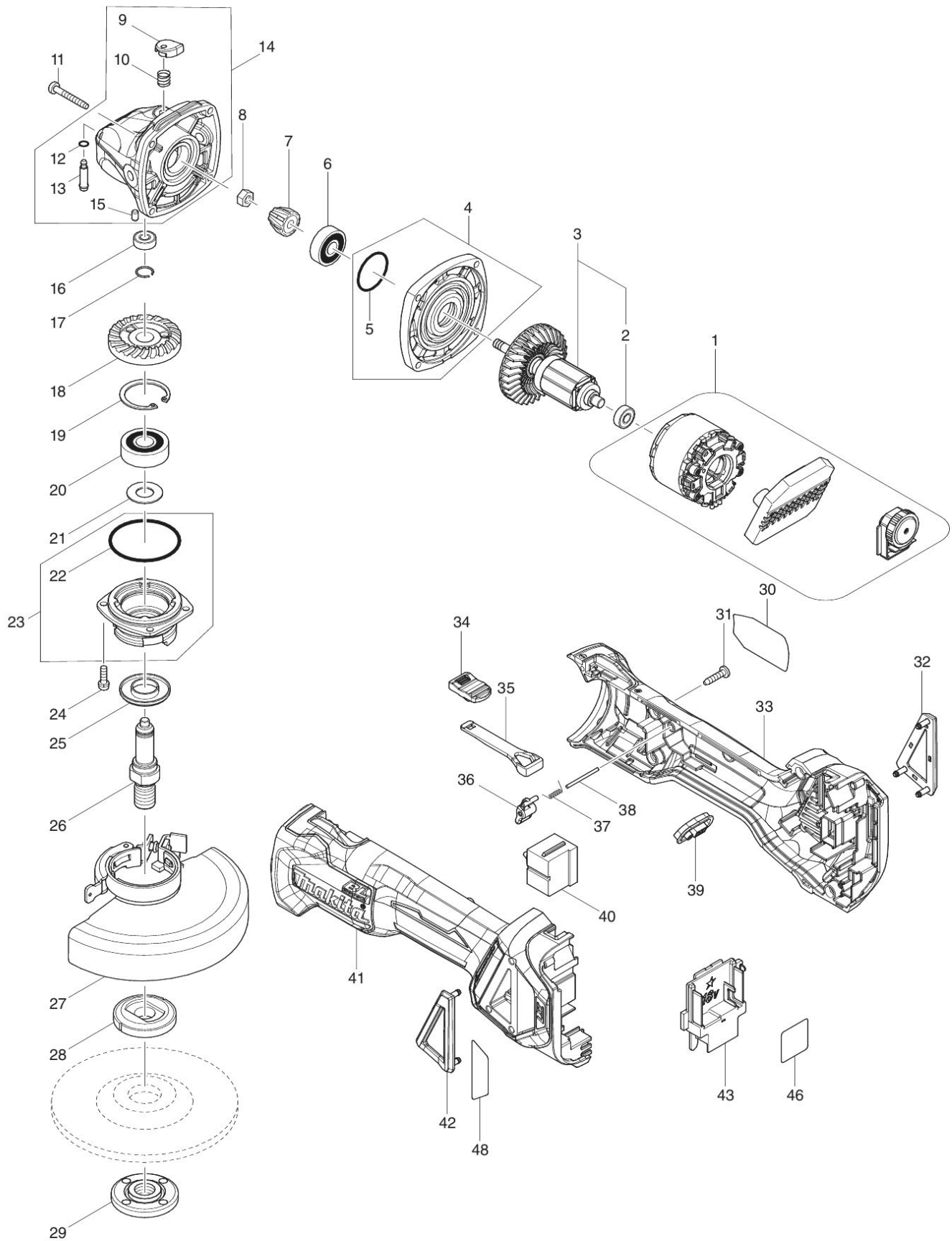


Partdrawing for DGA511Z - Haakse slijper



2017/08
DGA511