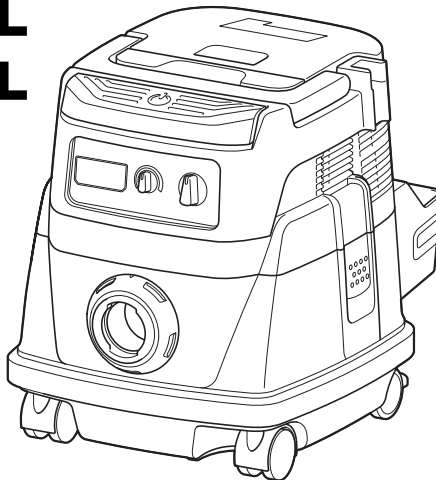




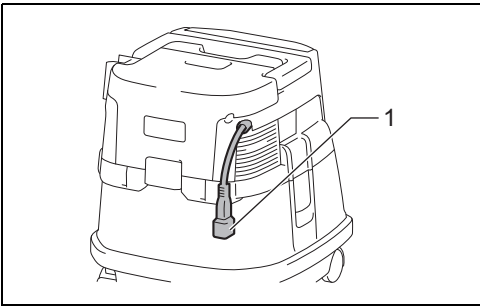
GB	Corded and Cordless Vacuum Cleaner	Instruction manual
F	Aspirateur Batterie et Filaire	Manuel d'instructions
D	Akku- und Netzsauger	Betriebsanleitung
I	Aspiratore con e senza cavo	Istruzioni per l'uso
NL	Stofzuiger op netstroom of accu's	Gebruiksaanwijzing
E	Aspiradora Alámbrica / Inalámbrica	Manual de instrucciones
P	Aspirador de Água e Pó a Bateria / Elétrico	Manual de instruções
DK	Ledningstilslettet og batteridrevet støvsuger	Brugsanvisning
GR	Ενσύρματη και ασύρματη ηλεκτρική σκούπα	Οδηγίες χρήσης
TR	Kablolu ve Akülü Elektrik Süpürgesi	Kullanım kılavuzu

DVC860L
DVC861L



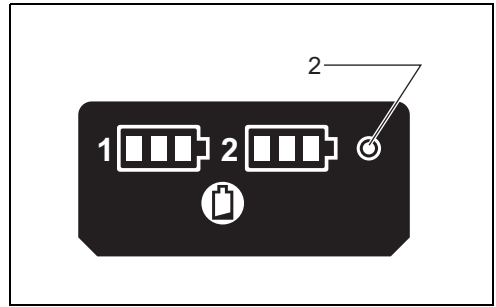
015528





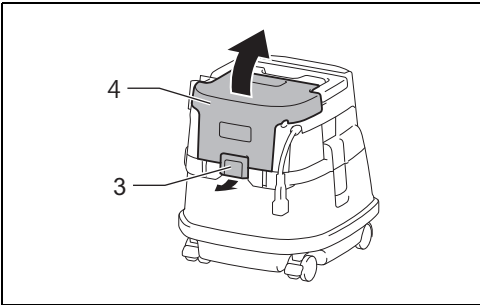
1

015533



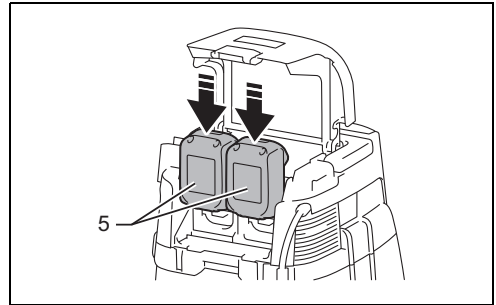
2

015549



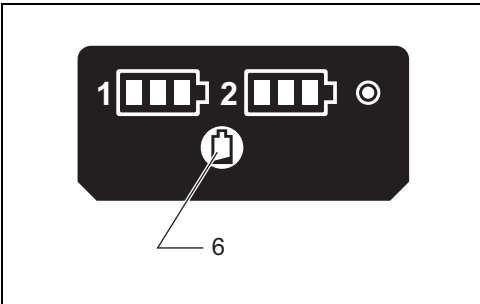
3

015530



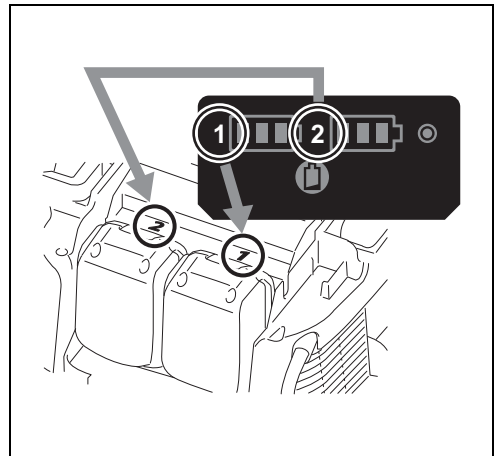
4

015531



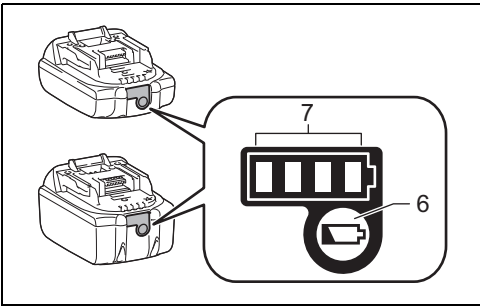
5

015550



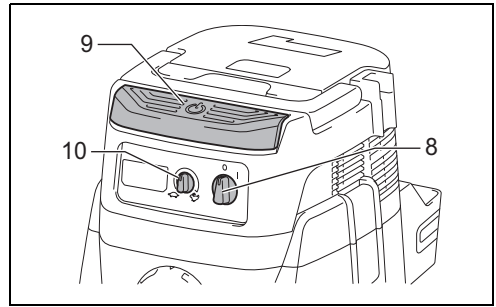
6

015674



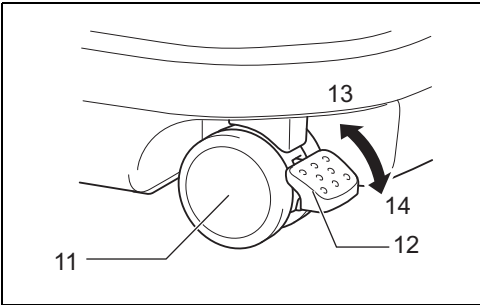
7

1007701



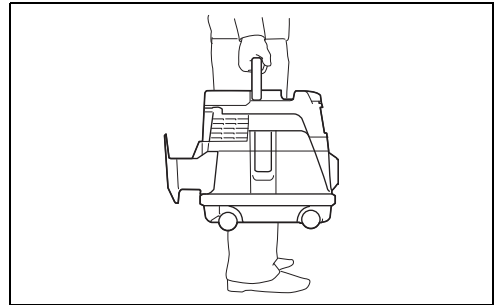
8

015529



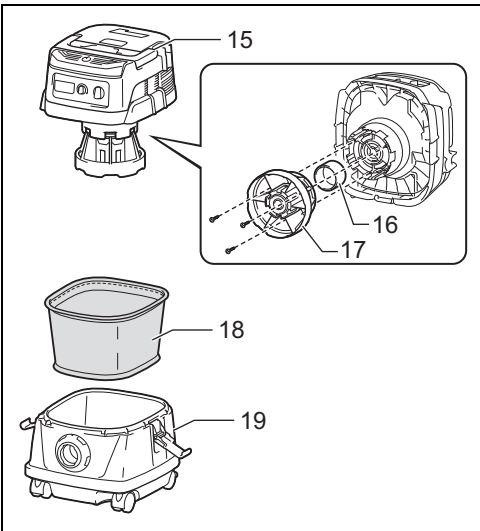
9

011611



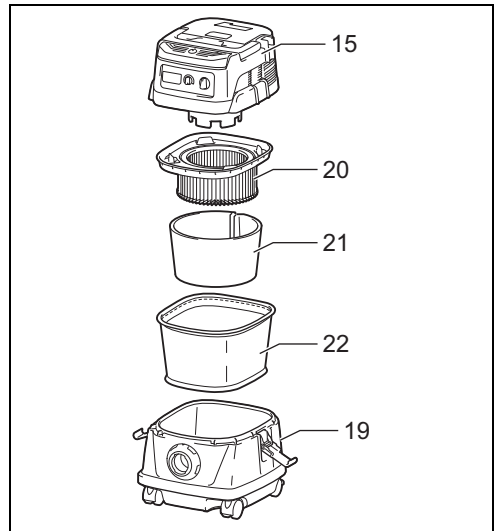
10

015545



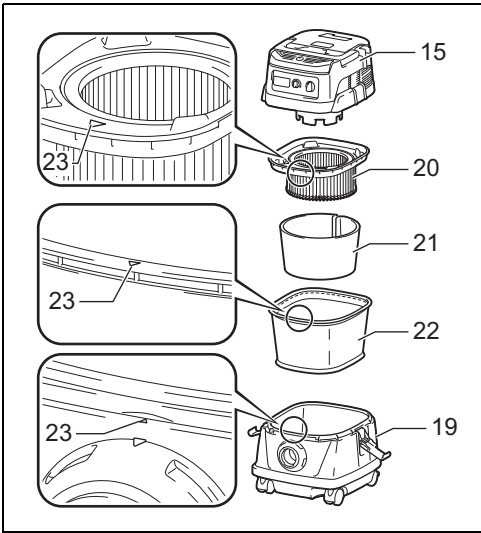
11

015616



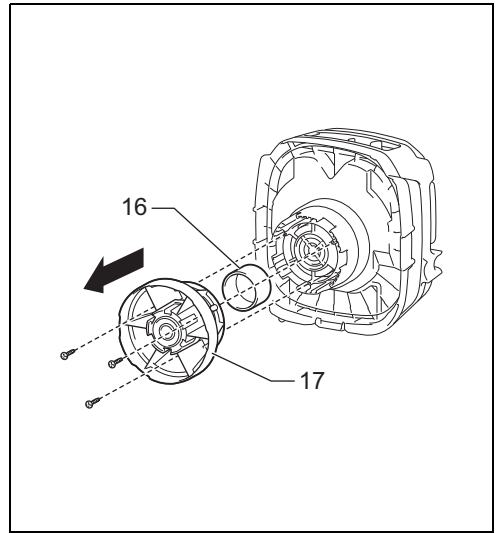
12

015617



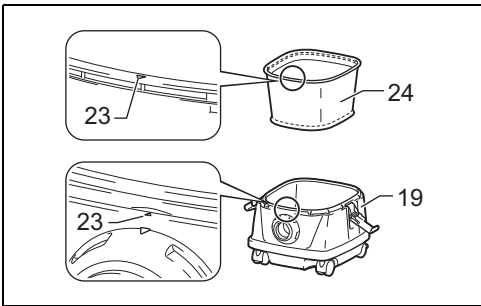
13

015534



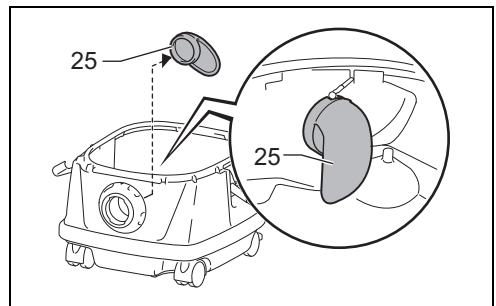
14

015551



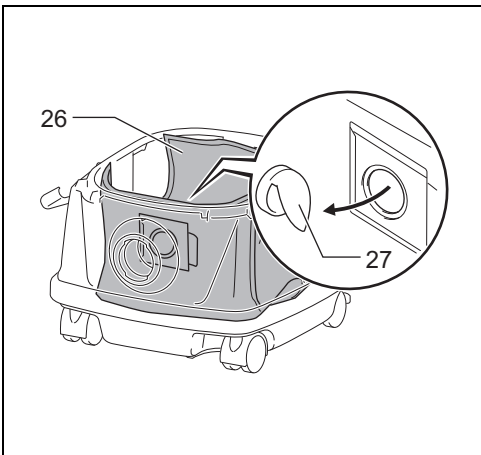
15

015532



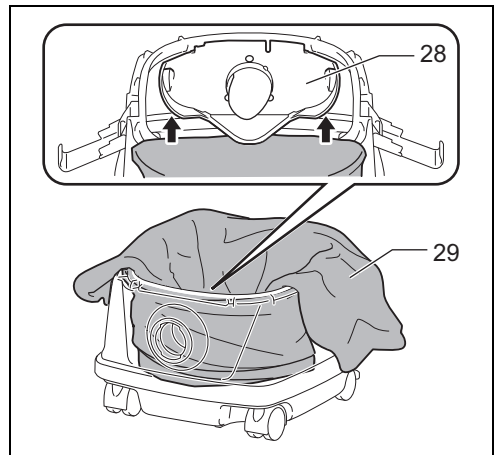
16

015535



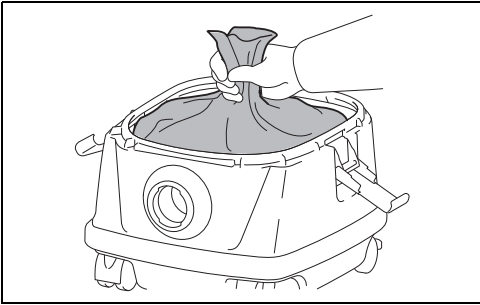
17

015536



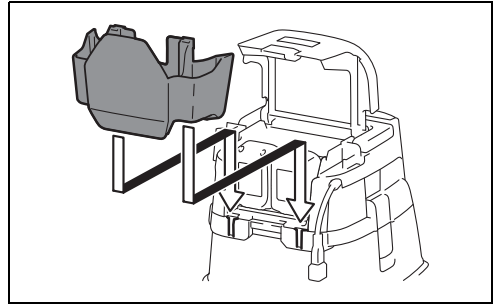
18

015542



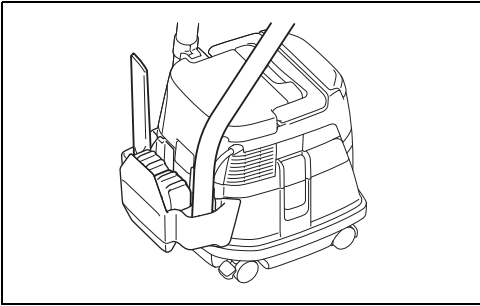
19

015544



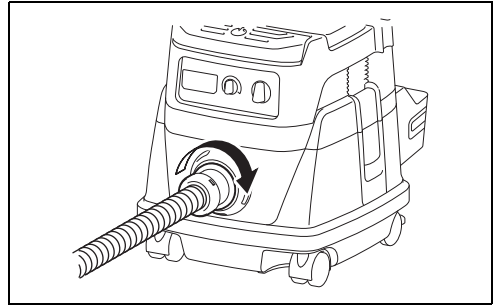
20

015537



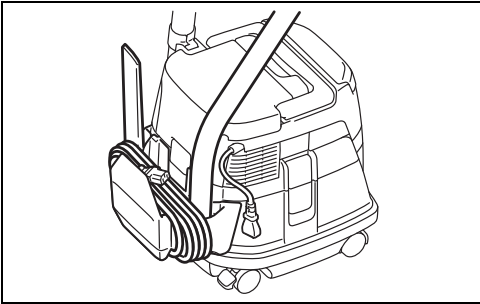
21

015538



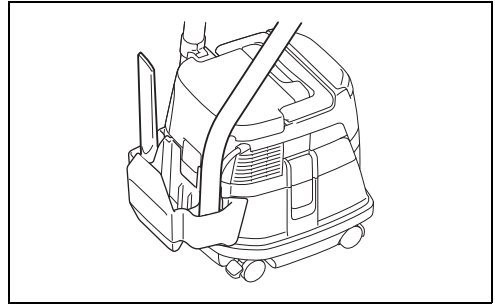
22

015541



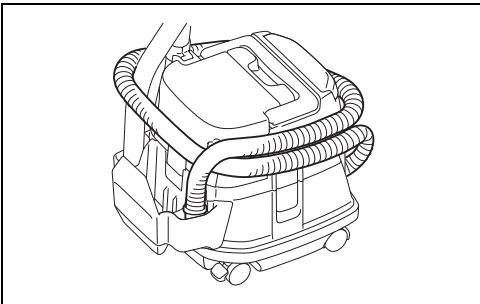
23

015724



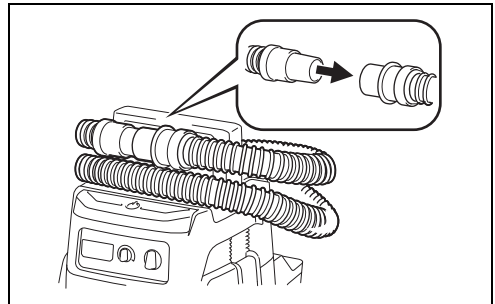
24

015539



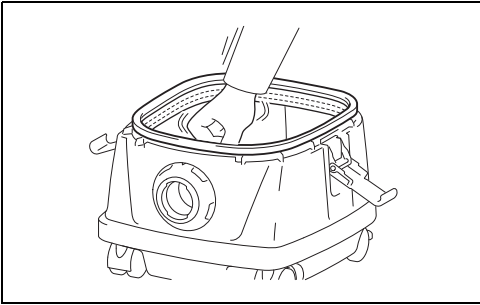
25

015618



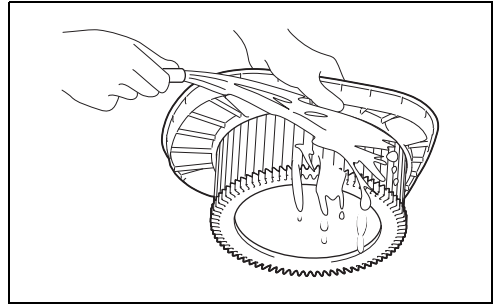
26

015548



27

015543



28

015547

ENGLISH (Original instructions)

WARNING

- This machine is not intended for use by persons including children with reduced physical, sensory or mental capabilities, or lack of experience and knowledge.
- Children should be supervised to ensure that they do not play with the cleaner.
- If the supply cord is damaged, it must be replaced by the authorized service facility.
- See the chapter "SPECIFICATIONS" for the type reference of the battery.
- See the section "Installing or removing battery cartridge" for how to remove or install the battery.
- When disposing the battery cartridge, remove it from the tool and dispose of it in a safe place. Follow your local regulations relating to disposal of battery.
- If the tool is not used for a long period of time, the battery must be removed from the tool.
- Do not short the battery cartridge.
- See the chapter "MAINTENANCE" for the appropriate details of precautions during user maintenance.

Explanation of general view

- | | | |
|--|----------------------------------|-------------------------------|
| 1. Plug (the shape and cord length may differ from country to country) | 10. Suction force adjusting knob | 20. Powder filter (HEPA) |
| 2. AC power indicator | 11. Caster | 21. Damper |
| 3. Lock | 12. Stopper lever | 22. Prefilter |
| 4. Battery cover | 13. FREE position | 23. Mounting position marking |
| 5. Battery cartridge | 14. LOCK position | 24. Water filter |
| 6. Check button | 15. Tank cover | 25. Rubber holder |
| 7. Indicator lamps | 16. Float | 26. Paper pack |
| 8. Stand-by switch | 17. Float cage | 27. Holder |
| 9. Power button | 18. Cloth filter | 28. Holder plate |
| | 19. Tank | 29. Polyethylene bag |

SPECIFICATIONS

Model		DVC860L	DVC861L
Standard filter type		Cloth filter (for dry and wet dust)	Powder filter (for dry dust)
Volume flow (air)	DC operation (with BL1830, ø38 mm x 2.5 m hose)	2.1 m ³ /min	
	AC operation (with ø38 mm x 2.5 m hose)	3.6 m ³ /min	
Vacuum	DC operation (with BL1830, ø38 mm x 2.5 m hose)	90 hPa	
	AC operation (with ø38 mm x 2.5 m hose)	240 hPa	
Recoverable capacity	Dust	8 L	
	Water	6 L	–
Dimensions (L x W x H)		366 mm x 334 mm x 368 mm	
Electric ratings with AC operation		Depends on the country. Refer to the nameplate.	
Rated voltage (operation with batteries)		DC 36 V	
Net weight		8.6 - 9.2 kg	9.3 - 9.9 kg
Protection degree		IPX4	
Safety class		□/II	

- Due to our continuing program of research and development, the specifications herein are subject to change without notice.
- Specifications and battery cartridge may differ from country to country.
- The weight does not include accessories but battery cartridge(s). The lightest and heaviest combination weight of the appliance and battery cartridge(s) are shown in the table.
- For wet dust, the float and the water filter or cloth filter are required.

Applicable battery cartridge and charger

Battery cartridge	BL1815N/BL1820B/BL1830B/BL1840B/BL1850B/BL1860B
Charger	DC18RC/DC18RD/DC18RE/DC18SD/DC18SE/DC18SF/DC18SH

- Some of the battery cartridges and chargers listed above may not be available depending on your region of residence.

WARNING:

- **Only use the battery cartridges and chargers listed above.** Use of any other battery cartridges and chargers may cause injury and/or fire.

Symbols

END118-1

The followings show the symbols which may be used for the equipment. Be sure that you understand their meaning before use.



..... Read instruction manual.



..... Take particular care and attention.



..... Warning! The cleaner may contain hazardous dust.



..... Never stand on the cleaner.



..... Dust class L (light). The cleaners are capable of picking up dust class L. Follow your country's regulations relating to dusts and to occupational health and safety.



..... DOUBLE INSULATION



Ni-MH
Li-ion

..... Only for EU countries
Due to the presence of hazardous components in the equipment, waste electrical and electronic equipment, accumulators and batteries may have a negative impact on the environment and human health.
Do not dispose of electrical and electronic appliances or batteries with household waste!
In accordance with the European Directive on waste electrical and electronic equipment and on accumulators and batteries and waste accumulators and batteries, as well as their adaptation to national law, waste electrical equipment, batteries and accumulators should be stored separately and delivered to a separate collection point for municipal waste, operating in accordance with the regulations on environmental protection.
This is indicated by the symbol of the crossed-out wheeled bin placed on the equipment.

Intended use

ENE084-1

The tool is suitable for commercial use, for example in hotels, schools, hospitals, factories, shops, offices and rental businesses.

DVC860L

The tool is intended for collecting both wet and dry dust.

DVC861L

The tool is intended for collecting dry dust only.

Power supply

ENF002-2

The tool should be connected only to a power supply of the same voltage as indicated on the nameplate, and can only be operated on single-phase AC supply. They are double-insulated and can, therefore, also be used from sockets without earth wire.

Corded and cordless vacuum cleaner safety warnings

ENB124-5

WARNING: IMPORTANT! READ CAREFULLY all safety warnings and all instructions BEFORE USE.

Failure to follow the warnings and instructions may result in electric shock, fire and/or serious injury.

1. **Before use, make sure that this cleaner must be used by people who have been adequately instructed on the use of this cleaner.**
2. **Before use, operators shall be provided with information, instruction and training for the use of the machine and the substances for which it is to be used, including the safe method of removal and disposal of the material collected.**
3. **If foam/liquid comes out, switch off immediately.**
4. **Clean the water level limiting device regularly and examine it for signs of damage.**
5. **Do not use the cleaner without the filter. Replace a damaged filter immediately.**
6. **USE OF EXTENSION CORD.** When using an extension cord because of the great distance to your power source, try to employ a cord that is sufficiently thick but not too long, or cleaner performance will be adversely affected. For outdoor applications use an extension cord suitable for outdoor use.
7. **VOLTAGE WARNING:** Before connecting the cleaner to a power source (receptacle, outlet, etc.) be sure the voltage supplied is the same as that specified on the nameplate of the cleaner. A power source with voltage greater than that specified for the cleaner can result in **SERIOUS INJURY** to the operator as well as damage to the cleaner. If in doubt, **DO NOT PLUG IN THE CLEANER.** Using a power source with voltage less than the nameplate rating is harmful to the motor.

8. **AVOID UNINTENTIONAL STARTING.** Be sure switch is OFF when plugging in.
 9. Do not attempt to pick up flammable materials, fire works, lighted cigarettes, hot ashes, hot metal chips, sharp materials such as razors, needles, broken glass or the like.
 10. **NEVER USE THE CLEANER IN THE VICINITY OF GASOLINE, GAS, PAINT, ADHESIVES OR OTHER HIGHLY EXPLOSIVE SUBSTANCES.** The switch emits sparks when turned ON and OFF. And so does the motor commutator during operation. A dangerous explosion may result.
 11. Never vacuum up toxic, carcinogenic, combustible or other hazardous materials such as asbestos, arsenic, barium, beryllium, lead, pesticides, or other health endangering materials.
 12. Always place the cleaner on a horizontal flat surface to prevent it from falling or moving unintentionally.
 13. Never use the cleaner outdoors in the rain.
 14. For Finland, this machine is not to be used outdoors at low temperature.
 15. Do not use close to heat sources (stoves, etc.).
 16. If the exhaust air is returned to the room, it is necessary to provide for an adequate air change rate in the room. Reference to National regulations is necessary.
 17. **GUARD AGAINST ELECTRIC SHOCK.** Prevent body contact with grounded surfaces. For example; pipes, radiators, ranges, refrigerator enclosures.
 18. Do not block cooling vents. These vents permit cooling of the motor. Blockage should be carefully avoided otherwise the motor will burn out from lack of ventilation.
 19. Keep proper footing and balance at all times.
 20. **DO NOT ABUSE CORD.** Never carry the cleaner by cord or yank it to disconnect from receptacle. Keep cord away from heat, oil, and sharp edges. Inspect cleaner cords periodically and if damaged, have repaired by authorized service facility. Inspect extension cords periodically and replace if damaged.
 21. Do not fold, tug or step on the hose.
 22. Stop the cleaner immediately if you notice poor performance or anything abnormal during operation.
 23. **DISCONNECT THE CLEANER.** When not in use, before servicing, and when changing accessories.
 24. Clean and service the cleaner immediately after each use to keep it in tiptop operating condition.
 25. **MAINTAIN THE CLEANER WITH CARE.** Keep the cleaner clean for better and safer performance. Follow instructions for changing accessories. Keep handles dry, clean, and free from oil and grease.
 26. **CHECK DAMAGED PARTS.** Before further use of the cleaner, a guard or other part that is damaged should be carefully checked to determine that it will operate properly and perform its intended function. Check for alignment of moving parts, binding of moving parts, breakage of parts, mounting, and any other conditions that may affect its operation. A guard or other part that is damaged should be properly repaired or replaced by an authorized service center unless otherwise indicated elsewhere in this instruction manual. Have defective switches replaced by authorized service center. Don't use the cleaner if switch does not turn it on and off.
 27. For user servicing, the machine shall be dismantled, cleaned and serviced, as far as is reasonably practicable, without causing risk to the maintenance staff and others.
 28. The machine should be technically inspected by the manufacturer, or an instructed person, at least annually, consisting of, for example, inspection of filters for damage, air tightness of the machine and proper function of the control mechanism.
 29. When carrying out service or repair operations, all contaminated items which cannot be satisfactorily cleaned are to be disposed of; such items shall be disposed of in impervious bags in accordance with any current regulation for the disposal of such waste.
 30. **REPLACEMENT PARTS.** When servicing, use only identical replacement parts.
 31. When not in use, always store the cleaner indoors.
 32. Wet filters and the interior part of the liquid container shall be dried before storage.
 33. Be kind to your cleaner. Rough handling can cause breakage of even the most sturdily built cleaner.
 34. Do not attempt to clean the exterior or interior with benzene, thinner or cleaning chemicals. Cracks and discoloration may be caused.
 35. Do not use cleaner in an enclosed space where flammable, explosive or toxic vapors are given off by oil-base paint, paint-thinner, gasoline, some mothproofing substances, etc., or in areas where flammable dust is present.
 36. Do not leave the cleaner cord lying on the floor after you have finished a cleaning job. It can become a tripping hazard or may cause damage to the cleaner.
 37. Do not operate the cleaner or any tool while under the influence of drugs or alcohol.
 38. As a basic rule of safety, use safety goggles or safety glasses with side shields.
 39. Use a dust mask in dusty work conditions.
 40. This machine is not intended for use by persons including children with reduced physical, sensory or mental capabilities, or lack of experience and knowledge.
 41. Children should be supervised to ensure that they do not play with the cleaner.
 42. Never handle plug cord or cleaner with wet hands.
 43. Use extreme caution when cleaning on stairs.
 44. Do not use the cleaner as a stool or work bench. The machine may fall down and may result in personal injury.
- Battery tool use and care**
1. Recharge only with the charger specified by the manufacturer. A charger that is suitable for one type of battery pack may create a risk of fire when used with another battery pack.

2. **Use power tools only with specifically designated battery packs.** Use of any other battery packs may create a risk of injury and fire.
3. **When battery pack is not in use, keep it away from other metal objects, like paper clips, coins, keys, nails, screws or other small metal objects, that can make a connection from one terminal to another.** Shorting the battery terminals together may cause burns or a fire.
4. **Under abusive conditions, liquid may be ejected from the battery; avoid contact. If contact accidentally occurs, flush with water. If liquid contacts eyes, additionally seek medical help.**
Liquid ejected from the battery may cause irritation or burns.
5. **Do not use a battery pack or tool that is damaged or modified.** Damaged or modified batteries may exhibit unpredictable behaviour resulting in fire, explosion or risk of injury.
6. **Do not expose a battery pack or tool to fire or excessive temperature.** Exposure to fire or temperature above 130 °C may cause explosion.
7. **Follow all charging instructions and do not charge the battery pack or tool outside the temperature range specified in the instructions.** Charging improperly or at temperatures outside the specified range may damage the battery and increase the risk of fire.

SAVE THESE INSTRUCTIONS.

WARNING:

DO NOT let comfort or familiarity with product (gained from repeated use) replace strict adherence to safety rules for the subject product. MISUSE or failure to follow the safety rules stated in this instruction manual may cause serious personal injury.


Important safety instructions for battery cartridge

ENC007-17

1. **Before using battery cartridge, read all instructions and cautionary markings on (1) battery charger, (2) battery, and (3) product using battery.**
2. **Do not disassemble or tamper with the battery cartridge.** It may result in a fire, excessive heat, or explosion.
3. **If operating time has become excessively shorter, stop operating immediately.** It may result in a risk of overheating, possible burns and even an explosion.
4. **If electrolyte gets into your eyes, rinse them out with clear water and seek medical attention right away.** It may result in loss of your eyesight.
5. **Do not short the battery cartridge:**
 - (1) **Do not touch the terminals with any conductive material.**
 - (2) **Avoid storing battery cartridge in a container with other metal objects such as nails, coins, etc.**
 - (3) **Do not expose battery cartridge to water or rain.**

- A battery short can cause a large current flow, overheating, possible burns and even a breakdown.**
6. **Do not store and use the tool and battery cartridge in locations where the temperature may reach or exceed 50 °C (122 °F).**
7. **Do not incinerate the battery cartridge even if it is severely damaged or is completely worn out. The battery cartridge can explode in a fire.**
8. **Do not nail, cut, crush, throw, drop the battery cartridge, or hit against a hard object to the battery cartridge.** Such conduct may result in a fire, excessive heat, or explosion.
9. **Do not use a damaged battery.**
10. **The contained lithium-ion batteries are subject to the Dangerous Goods Legislation requirements.**
For commercial transports e.g. by third parties, forwarding agents, special requirement on packaging and labeling must be observed.
For preparation of the item being shipped, consulting an expert for hazardous material is required. Please also observe possibly more detailed national regulations.
Tape or mask off open contacts and pack up the battery in such a manner that it cannot move around in the packaging.
11. **When disposing the battery cartridge, remove it from the tool and dispose of it in a safe place. Follow your local regulations relating to disposal of battery.**
12. **Use the batteries only with the products specified by Makita.** Installing the batteries to non-compliant products may result in a fire, excessive heat, explosion, or leak of electrolyte.
13. **If the tool is not used for a long period of time, the battery must be removed from the tool.**
14. **During and after use, the battery cartridge may take on heat which can cause burns or low temperature burns. Pay attention to the handling of hot battery cartridges.**
15. **Do not touch the terminal of the tool immediately after use as it may get hot enough to cause burns.**
16. **Do not allow chips, dust, or soil stuck into the terminals, holes, and grooves of the battery cartridge.** It may cause heating, catching fire, burst and malfunction of the tool or battery cartridge, resulting in burns or personal injury.
17. **Unless the tool supports the use near high-voltage electrical power lines, do not use the battery cartridge near high-voltage electrical power lines.** It may result in a malfunction or breakdown of the tool or battery cartridge.
18. **Keep the battery away from children.**

SAVE THESE INSTRUCTIONS.

 **CAUTION:** Only use genuine Makita batteries. Use of non-genuine Makita batteries, or batteries that have been altered, may result in the battery bursting causing fires, personal injury and damage. It will also void the Makita warranty for the Makita tool and charger.

Tips for maintaining maximum battery life

1. **Charge the battery cartridge before completely discharged. Always stop tool operation and charge the battery cartridge when you notice less tool power.**
2. **Never recharge a fully charged battery cartridge. Overcharging shortens the battery service life.**
3. **Charge the battery cartridge with room temperature at 10 °C - 40 °C (50 °F - 104 °F). Let a hot battery cartridge cool down before charging it.**
4. **When not using the battery cartridge, remove it from the tool or the charger.**
5. **Charge the battery cartridge if you do not use it for a long period (more than six months).**

FUNCTIONAL DESCRIPTION

Use with AC power:

WARNING:

- **Before plugging the cleaner, always make sure that the cleaner is switched off.** Plugging the cleaner with the switch on may cause an unexpected start resulting in serious personal injury.

Connect the plug to a power supply. (Fig. 1)

The AC power indicator lights up when setting the stand-by switch to "I" side. (Fig. 2)

NOTE:

- Even operating in DC power mode, the tool is automatically changed into AC power mode when plugged in.
- If the tool is unplugged during operation with the battery inserted, the cleaner gets into stand-by state.

Use with battery:

Installing or removing battery cartridge

CAUTION:

- Always be sure that the cleaner is switched off, unplugged, and the battery cartridge is removed before adjusting or checking function on the tool.
- **Hold the cleaner and the battery cartridge firmly when installing or removing battery cartridge.**
Failure to hold the cleaner and the battery cartridge firmly may cause them to slip off your hands and result in damage to the cleaner and battery cartridge and a personal injury.
- **Be careful not to pinch your fingers when opening or closing the battery cover.** Failure to do so may cause personal injury.

To install the battery cartridge, release the lock first, and open the battery cover. And then, insert the battery cartridge. (Fig. 3)

Align the tongue on the battery cartridge with the groove in the housing and slip it into place. Insert it all the way until it locks in place with a little click. Then lock the battery cover. (Fig. 4)

To remove the battery cartridge, slide it from the tool while sliding the button on the front of the cartridge.

NOTICE:

- Remove the plug of the cleaner from the extension cord when using the cleaner with the batteries.

CAUTION:

- Always install the battery cartridge fully in place. If not, it may accidentally fall out of the tool, causing injury to you or someone around you.
- Do not install the battery cartridge forcibly. If the cartridge does not slide in easily, it is not being inserted correctly.

NOTE:

- The cleaner does not work with only one battery cartridge.

Tool/battery protection system

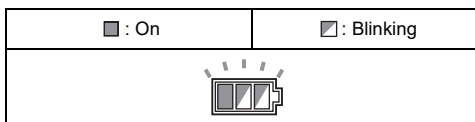
The tool is equipped with a tool/battery protection system. This system automatically cuts off power to the motor to extend tool and battery life.

The tool will automatically stop during operation if the tool or battery is placed under one of the following conditions. In some conditions, the indicators light up.

Overload protection

If the tool is overloaded, the tool stops automatically. In this situation, turn the tool off and stop the application that caused the tool to become overloaded. Then turn the tool on to restart.

Overheat protection for tool



015485

When the tool is overheated, the tool stops automatically, and the battery indicator blink about 60 seconds. In this situation, let the tool cool down before turning the tool on again.


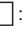




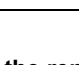
Overdischarge protection

When the battery capacity becomes low, the tool stops automatically. If the product does not operate even when the switches are operated, remove the batteries from the tool and charge the batteries.

Remaining battery capacity indication (Fig. 5 & 6)

Press the check button to make the battery indicators show the remaining battery capacities. The battery indicators correspond to each battery.

Remaining battery capacity indication








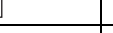

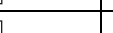




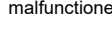
Battery indicator status			Remaining battery capacity
 : On	 : Off	 : Blinking	
			50% - 100%
			20% - 50%
			0% - 20%
			Charge the battery

015527

Indicating the remaining battery capacity

Only for battery cartridges with the indicator (Fig. 7)

Press the check button on the battery cartridge to indicate the remaining battery capacity. The indicator lamps light up for few seconds.

Indicator lamps			Remaining capacity
 Lighted	 Off	 Blinking	
			75% to 100%
			50% to 75%
			25% to 50%
			0% to 25%
			Charge the battery.
			The battery may have malfunctioned.

015658

NOTE:

- Depending on the conditions of use and the ambient temperature, the indication may differ slightly from the actual capacity.

Switch action (Fig. 8)

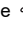

To start the cleaner:

- Set the stand-by switch to the "I" side. The cleaner gets into stand-by state.
- Press the power button.

To make the cleaner get into stand-by mode, press the power button again.

To turn off the cleaner, set the stand-by switch to the "O" side.

The suction power can be adjusted according to your work need.

Suction power can be increased by turning the suction force adjusting knob from the  symbol to the  symbol.

NOTICE:

- Always set the stand-by switch to the "O" side when not using the cleaner for long time. The cleaner consumes power during stand-by state.

Auto-suction stop during wet suction operation (for the cloth filter model)

⚠ WARNING:

- Do not use for a long time while the float is at work.** Using the cleaner with its float at work for a long time can cause overheating, resulting in the cleaner deformation.
- Do not pick up foam or soapy liquid.** Picking up foam or soapy liquid can cause foam to come out of air exit before the float works. Continuing to use in this condition may cause an electric shock and breakage of the cleaner.

Auto-suction stop works only when using with the float and float cage.

The cleaner has a float mechanism that prevents water from immersing into the motor when picking up more than a certain amount of water.

When the tank is full and the cleaner no longer picks up water, switch off the cleaner and empty the tank.

Locking or unlocking the caster (Fig. 9)

To lock the caster with a stopper, lower the stopper lever and the caster no longer will rotate. To release the caster from the locked position, raise the stopper lever.

Locking the caster is convenient when storing the cleaner, stopping the work on the way and keeping the cleaner still.

To operate the stopper, move it by hand.

NOTE:

- When moving the cleaner, make sure that the caster is unlocked. Moving the cleaner with the caster in the locked position may cause damage to the caster.

Carriage handle (Fig. 10)

When carrying the cleaner, carry it by holding the handle on the head. The handle is retractable at the head when not in use.

PARTS DESCRIPTION

Model DVC860L

(Cloth filter (for dry and wet dust) model) (Fig. 11)

Model DVC861L

(Powder filter (for dry dust) model) (Fig. 12)

ASSEMBLY

CAUTION:

- Always be sure that the cleaner is switched off, unplugged, and the battery cartridge is removed before carrying out any work on the cleaner.
- Always wear dust mask during assembly or maintenance.

Installing the powder filter (HEPA) and prefilter (for dry dust) (Fig. 13 & 14)

Optional accessory for cloth filter model

CAUTION:

- Never pick up water or other liquids or wet dusts when using the powder filter. Picking up such things may cause the powder filter breakage.

To use powder filter, remove the float cage and float by removing the bolts.

Place the prefilter in the tank.

Next, mount the damper on the powder filter and then place them in the prefilter.

When installing powder filter and prefilter, align the mounting position marking on each of them with that one at the top of the tank.

Finally, mount the tank cover and lock it.

NOTE:

- Before using the powder filter, make sure that prefilter and damper are always used together. It is not allowed to install powder filter solely.

Installing the water filter (for cloth filter model) (optional accessory)

CAUTION:

- Never pick up water or wet dust without the float and the cloth filter or the water filter.
- For picking up wet dust, make sure that the float cage and the float are installed on the cleaner.
- When installing the water filter on the tank, set it tight at the opening of the tank so that the hook of the water filter engages the tank opening firmly and there is no space between the water filter and the tank.

NOTICE:

- It is recommended using water filter when picking up large amount of water repeatedly. Otherwise vacuum ability may be reduced in case of cloth filter.

To pick up water or wet dust only, the water filter is more suitable than the cloth filter.

When installing the water filter, align its mounting position mark with the one on the tank. (Fig. 15)

Installing the paper pack (optional accessory)

WARNING:

- When using the paper pack, also use the cloth filter or prefilter together that is preinstalled on the tool. Failure to use the cloth filter/prefilter together may cause unusual noise and heat, resulting in a fire.

CAUTION:

(For the cloth filter model)

- Never pick up water or other liquids or wet dusts when using the paper pack. Picking up such things may cause the paper pack breakage.
- Before using the paper pack, make sure that powder filter (optional accessory), damper (optional accessory) and prefilter are always used together.

(For the powder filter model)

- Before using the paper pack, make sure that powder filter, damper and prefilter are always used together.
1. Remove the rubber holder. (Fig. 16)
 2. Extend the paper pack.
 3. Align the paper pack opening with the dust suction opening of the cleaner.
 4. Insert the cardboard of the paper pack onto the holder so that it is positioned at the end beyond the detent protrusion. (Fig. 17)

Installing the polyethylene bag

Cleaner can also be used without polyethylene bag.

However, using polyethylene bag is easier to empty the tank without letting your hands dirty.

Spread the polyethylene bag in the tank. Insert it between the holder plate and the tank, and pull it to the hose inlet.

Spread the bag around the top of the tank so that the prefilter edge can catch and hold the bag securely.

(Fig. 18)

NOTE:

- A polyethylene bag available on the market can be used. 0.04 mm or thicker one is recommended.
- Too much dust will tear the bag easily, so do not collect the dust more than the half of the bag capacity.

Emptying the polyethylene bag

WARNING:

- Always make sure that the cleaner is switched off and unplugged before emptying the polyethylene bag. Failure to do so may cause an electric shock and serious personal injury.

CAUTION:

- Do not apply a great impact on the float cage and tank. Applying a great impact may cause deformation and damage to the parts.
- Empty the tank at least once a day although this depends on picked-up dust volume in the tank. Or, the suction force will weaken and the motor may be broken.
- Do not grab the hook when emptying the tank. Grabbing the hook may cause the hook to break.

Unhook and lift up the tank cover.

Shake off the dust from the cloth filter/powder filter and then take the polyethylene bag out of the tank. (Fig. 19)

NOTE:

- Take the polyethylene bag carefully out of the tank so that the polyethylene bag cannot be caught and torn by the protrusion inside the tank when emptying it.
- Empty the polyethylene bag before it becomes full. Too much dust in the tank may cause the polyethylene bag to be torn.

Installing the tool box

1. Release the lock of the battery cover, and open the battery cover.

- Set the rails on the tool box along the grooves on the housing. (Fig. 20)
- Close the battery cover and apply the lock. The tool box is convenient for carrying batteries, extension cord, pipe, or cuffs. (Fig. 21)

Connecting the hose

CAUTION:

- Never force the hose for bending or stamp it. Never move the cleaner by a hose. Forcing, stamping and pulling the hose may cause a breakage or deformation of the hose.
- When picking up large wastes such as planer carvings, concrete dusts or similar other than small wastes, use the 38 mm inner diameter hose (optional accessory). Using the 28 mm inner diameter hose (optional accessory) may cause a hose stuffing and damage.

Insert the hose onto the mounting port of the tank and turn it clockwise until it locks. (Fig. 22)

MAINTENANCE

CAUTION:

- Always be sure that the tool is switched off, unplugged, and the battery cartridge is removed before attempting to perform inspection or maintenance.

Storage of power supply cord (Fig. 23)

You can wind up the power supply cord around the tool box.

Storage of accessories (Fig. 24)

The pipes can be placed into the pipe holder when not using the cleaner for a short time. (Fig. 25)

The hose can be stored around the tool by connecting each ends. (Fig. 26)

Cleaning

CAUTION:

- Never use gasoline, benzine, thinner, alcohol or the like. Discoloration, deformation or cracks may result.

Cleaning of cloth filter

Only for the cloth filter model

Clogged cloth filter causes poor suction performance.

Clean out the cloth filter from time to time.

To remove dust or particles adhering to the cloth filter, shake the frame bottom quickly several times. (Fig. 27)

Cleaning of powder filter (HEPA) and prefilter

Only for the powder filter model

Clogged powder filter, prefilter and damper cause poor suction performance.

Clean out the filters and dampers from time to time.

To remove dust or particles adhering to the filters, shake the frame bottom quickly several times.

Occasionally wash the powder filter in water, rinse and dry thoroughly in the shade before use. Never wash filters in a washing machine. (Fig. 28)

NOTE:

- Do not rub and scratch the powder filter, the prefilter or the damper with hard objects such as a brush and a paddle.
- The filters wear out in course of time. It is recommended to have some spares for them.

To maintain product SAFETY and RELIABILITY, repairs, any other maintenance or adjustment should be performed by Makita Authorized Service Centers, always using Makita replacement parts.

OPTIONAL ACCESSORIES

CAUTION:

- These accessories or attachments are recommended for use with your Makita tool specified in this manual. The use of any other accessories or attachments might present a risk of injury to persons. Only use accessory or attachment for its stated purpose.

If you need any assistance for more details regarding these accessories, ask your local Makita Service Center.

- Makita genuine battery and charger
- Hose
- Front cuffs (22, 24, 38)
- Straight pipe
- Corner nozzle
- Round brush
- Powder filter, HEPA (for dry dust)
- Damper
- Prefilter
- Nozzle assembly
- Bent pipe
- Polyethylene bag
- Water Filter (option for the cloth filter model)
- Paper pack
- Holder set

NOTE:

- Some items in the list may be included in the tool package as standard accessories. They may differ from country to country.

Noise

ENG905-1

The typical A-weighted noise level determined according to IEC60335-2-69:

Sound pressure level (L_{pA}): 75 dB (A)
Uncertainty (K): 2.5 dB (A)

The noise level under working may exceed 80 dB (A).

ENG907-1

- The declared noise emission value(s) has been measured in accordance with a standard test method and may be used for comparing one tool with another.
- The declared noise emission value(s) may also be used in a preliminary assessment of exposure.

WARNING:

- Wear ear protection.**
- The noise emission during actual use of the power tool can differ from the declared value(s) depending on the ways in which the tool is used especially what kind of workpiece is processed.**
- Be sure to identify safety measures to protect the operator that are based on an estimation of exposure in the actual conditions of use (taking account of all parts of the operating cycle such as**

the times when the tool is switched off and when it is running idle in addition to the trigger time).

Vibration ENG900-1

The vibration total value (tri-axial vector sum) determined according to IEC 60335-2-69:

Vibration emission (a_h): 2.5 m/s² or less

Uncertainty (K): 1.5 m/s²

ENG901-2

- The declared vibration total value(s) has been measured in accordance with a standard test method and may be used for comparing one tool with another.
- The declared vibration total value(s) may also be used in a preliminary assessment of exposure.

 **WARNING:**

- **The vibration emission during actual use of the power tool can differ from the declared value(s) depending on the ways in which the tool is used especially what kind of workpiece is processed.**
- **Be sure to identify safety measures to protect the operator that are based on an estimation of exposure in the actual conditions of use (taking account of all parts of the operating cycle such as the times when the tool is switched off and when it is running idle in addition to the trigger time).**

EC Declaration of Conformity

For European countries only

The EC declaration of conformity is included as Annex A to this instruction manual.

FRANÇAIS (Instructions d'origine)

AVERTISSEMENT

- Cette machine n'est pas destinée à être utilisée par des personnes (y compris les enfants) aux facultés physiques, sensorielles ou mentales diminuées ou sans expérience ni expertise.
- Les enfants doivent être sous la surveillance d'un adulte afin de s'assurer qu'ils ne jouent pas avec l'aspirateur.
- Si le cordon d'alimentation est endommagé, vous devez le confier pour réparation à un centre de service agréé.
- Voir le chapitre « SPÉCIFICATIONS » pour la désignation de la batterie.
- Voir la section « Insertion ou retrait de la batterie » pour la méthode de retrait ou d'insertion de la batterie.
- Une fois la batterie arrivée en fin de vie, retirez-la de l'outil et déposez-la en lieu sûr. Respectez la réglementation locale en matière de mise au rebut des batteries.
- Lorsque vous n'utilisez pas l'outil pendant une période prolongée, la batterie doit être retirée de l'outil.
- Ne court-circuitez pas la batterie.
- Voir le chapitre « ENTRETIEN » pour des précautions détaillées pendant l'entretien à la charge de l'utilisateur.

Descriptif

- | | | |
|--|--|--|
| 1. Prise (la forme et la longueur du cordon peuvent varier selon les pays) | 10. Bouton de réglage de la puissance d'aspiration | 20. Filtre à poudre (HEPA) |
| 2. Voyant de mise sous tension | 11. Roulette | 21. Humidificateur |
| 3. Verrou | 12. Levier de butée | 22. Préfiltre |
| 4. Couvercle des batteries | 13. Position déverrouillée | 23. Repère pour la position de montage |
| 5. Batterie | 14. Position verrouillée | 24. Filtre à eau |
| 6. Bouton de vérification | 15. Couvercle du réservoir | 25. Support en caoutchouc |
| 7. Voyants | 16. Flotteur | 26. Pack en papier |
| 8. Interrupteur de mise en veille | 17. Cage du flotteur | 27. Support |
| 9. Bouton d'alimentation | 18. Filtre à tissu | 28. Plaque de support |
| | 19. Réservoir | 29. Sac en polyéthylène |

SPÉCIFICATIONS

Modèle		DVC860L	DVC861L
Type de filtre standard		Filtre à tissu (pour la poussière sèche et humide)	Filtre à poudre (pour la poussière sèche)
Débit du volume (air)	Fonctionnement sur batterie (avec BL1830, tuyau de 38 mm de diamètre x 2,5 m de long)	2,1 m ³ /min	
	Fonctionnement sur secteur (avec un tuyau de 38 mm de diamètre x 2,5 m de long)	3,6 m ³ /min	
Vide	Fonctionnement sur batterie (avec BL1830, tuyau de 38 mm de diamètre x 2,5 m de long)	90 hPa	
	Fonctionnement sur secteur (avec un tuyau de 38 mm de diamètre x 2,5 m de long)	240 hPa	
Capacité récupérable	Poussière	8 L	
	Eau	6 L	–
Dimensions (L x P x H)		366 mm x 334 mm x 368 mm	
Puissance électrique en cas de fonctionnement sur secteur		Dépend du pays. Se reporter à la plaque signalétique.	
Tension nominale (fonctionnement avec batteries)		36 V C.C.	
Poids net		8,6 - 9,2 kg	9,3 - 9,9 kg
Degré de protection		IPX4	
Niveau de sécurité		II/III	

- Étant donné l'évolution constante de notre programme de recherche et de développement, les spécifications contenues dans ce manuel sont sujettes à des modifications sans préavis.
- Les spécifications et la batterie peuvent être différentes suivant les pays.
- Le poids ne comprend pas les accessoires, mais la ou les batteries. Le poids combiné le plus léger et le plus lourd de l'appareil et de la ou des batteries est indiqué dans le tableau.
- Pour la poussière humide, le flotteur et le filtre à eau ou le filtre à tissu sont obligatoires.

Batterie standard et chargeur applicables

Batterie	BL1815N/BL1820B/BL1830B/BL1840B/BL1850B/BL1860B
Chargeur	DC18RC/DC18RD/DC18RE/DC18SD/DC18SE/DC18SF/DC18SH

- Certains types de batterie et de chargeurs répertoriés ci-dessus peuvent ne pas être disponibles en fonction de votre région ou lieu de résidence.

⚠ AVERTISSEMENT :

- **Utilisez uniquement les batteries et chargeurs indiqués ci-dessus.** L'utilisation de toute autre batterie ou d'un autre chargeur peut provoquer des blessures et/ou déclencher un incendie.

Symboles

END118-1

Vous trouverez ci-dessous les symboles susceptibles d'être utilisés pour l'appareil. Veuillez à comprendre leur signification avant toute utilisation.



..... Lire le manuel d'instructions.



..... Faire preuve d'attention et de vigilance.



..... Avertissement ! L'aspirateur peut renfermer des poussières dangereuses.



..... Ne montez jamais sur l'aspirateur.



..... Catégorie de poussière L (légère). Les aspirateurs peuvent aspirer la poussière de catégorie L. Respectez les règles de votre pays concernant les poussières ainsi que la sécurité et la santé au travail.



..... DOUBLE ISOLATION



..... Pour les pays de l'Union européenne uniquement

En raison de la présence de composants dangereux dans l'équipement, les déchets d'équipements électriques et électroniques, les accumulateurs et les batteries peuvent avoir un impact négatif sur l'environnement et la santé humaine.

Ne jetez pas les appareils électriques et électroniques ou les batteries avec les ordures ménagères !

Conformément à la directive européenne relative aux déchets d'équipements électriques et électroniques et aux déchets d'accumulateurs et de batteries, ainsi qu'à son adaptation à la législation nationale, les déchets d'équipements électriques, les batteries et les accumulateurs doivent être collectés séparément et déposés dans un point de collecte distinct pour déchets urbains, conformément aux réglementations en matière de protection de l'environnement.

Cela est indiqué par le symbole de la poubelle à roulettes barrée sur l'équipement.

Utilisations

ENE084-1

L'outil est prévu pour un usage commercial, par exemple, dans les hôtels, écoles, hôpitaux, usines, magasins, bureaux et agences de location.

DVC860L

L'outil est conçu pour la collecte des poussières sèches et humides.

DVC861L

L'outil est conçu pour la collecte des poussières sèches uniquement.

Alimentation

ENF002-2

L'outil ne doit être raccordé qu'à une alimentation de la même tension que celle qui figure sur la plaque signalétique, et il ne peut fonctionner que sur un courant secteur monophasé. Réalisé avec une double isolation, il peut de ce fait être alimenté sans mise à la terre.

Consignes de sécurité pour aspirateur batterie et filaire

ENB124-5

⚠ AVERTISSEMENT : IMPORTANT ! LIRE ATTENTIVEMENT toutes les consignes de sécurité et toutes les instructions AVANT UTILISATION. Le non-respect des avertissements et des instructions peut entraîner une électrocution, un incendie et/ou de graves blessures.

1. **Avant l'utilisation, veillez à ce que l'aspirateur soit utilisé par des personnes ayant reçu des instructions adéquates quant à son utilisation.**
2. **Avant toute utilisation, les opérateurs doivent recevoir les informations, les instructions et la formation nécessaires à l'utilisation de la machine et sur les substances pour lesquelles elle est utilisée, notamment la méthode sûre pour retirer et jeter les matières collectées.**
3. **Si de la mousse ou un liquide sort, éteignez-le immédiatement.**
4. **Nettoyez régulièrement le dispositif limitant le niveau d'eau et vérifiez qu'il ne présente pas de signes de dommage.**
5. **N'utilisez pas l'aspirateur sans le filtre. Remplacez immédiatement le filtre s'il est endommagé.**
6. **UTILISATION D'UNE RALLONGE.** Lorsque vous utilisez une rallonge en raison de l'éloignement de votre source d'alimentation, essayez d'employer un cordon qui est suffisamment épais mais pas trop long sous peine d'affecter négativement les

performances de l'aspirateur. En cas d'utilisation à l'extérieur, utilisez une rallonge convenant pour l'utilisation à l'air libre.

7. **AVERTISSEMENT DE TENSION** : Avant de connecter l'aspirateur à une source d'alimentation (fiche femelle, prise, etc.), vérifiez que la tension fournie est la même que celle indiquée sur la plaque signalétique de l'aspirateur. Une source d'alimentation avec une tension supérieure à celle spécifiée pour l'aspirateur peut **BLESSER GRAVEMENT** l'opérateur ainsi qu'endommager l'aspirateur. En cas de doute, **NE BRANCHEZ PAS L'ASPIRATEUR**. L'utilisation d'une source d'alimentation avec une tension inférieure à celle sur la plaque signalétique est dangereuse pour le moteur.
8. **ÉVITEZ LES DÉMARRAGES INTEMPESTIFS**. Veillez à mettre l'outil hors tension lors du branchement.
9. N'essayez pas d'aspirer des matériaux inflammables, du matériel pyrotechnique, des cigarettes allumées, des cendres chaudes, des copeaux de métal chauds, des matériaux tranchants comme un rasoir, des aiguilles, des morceaux de verre, etc.
10. **N'UTILISEZ JAMAIS L'ASPIRATEUR À PROXIMITÉ D'ESSENCE, GAZ, PEINTURE, ADHÉSIFS OU AUTRES SUBSTANCES TRÈS EXPLOSIVES**. L'interrupteur émet des étincelles à la mise sous et hors tension. Tout comme le commutateur du moteur pendant le fonctionnement. Une dangereuse explosion peut survenir.
11. N'aspirez jamais des matériaux toxiques, cancérigènes, combustibles ou d'autres produits dangereux comme l'amiante, l'arsenic, le baryum, le béryllium, le plomb, les pesticides ou d'autres matières présentant un danger pour la santé.
12. Placez toujours l'aspirateur sur une surface plane et horizontale afin d'empêcher sa chute ou son déplacement accidentel.
13. N'utilisez jamais l'aspirateur à l'extérieur sous la pluie.
14. Pour la Finlande, cette machine ne doit pas être utilisée à l'extérieur à basse température.
15. N'utilisez pas l'aspirateur près de sources de chaleur (cuisinières, etc.).
16. Si l'air évacué est ramené dans la pièce, il est nécessaire de prévoir un taux de renouvellement d'air adéquat dans la pièce. Il est nécessaire de consulter les réglementations nationales.
17. **MESURES DE PRÉVENTION CONTRE L'ÉLECTROCUTION**. Évitez tout contact physique avec des surfaces mises à la terre. Par exemple : tuyaux, radiateurs, cuisinières, réfrigérateurs.
18. Ne bloquez pas les fentes d'aération. Ces fentes permettent le refroidissement du moteur. Il faut éviter soigneusement de les bloquer sous peine de griller le moteur en raison d'un manque d'aération.
19. Maintenez constamment une bonne assise et un bon équilibre.
20. **NE MALTRAITEZ PAS LE CORDON D'ALIMENTATION**. Ne transportez jamais l'aspirateur par le cordon, et pour le débrancher de la fiche femelle, ne tirez pas sur le cordon. Tenez le cordon à l'écart de la chaleur, de l'huile et de bords tranchants. Inspectez régulièrement les cordons de l'aspirateur et s'ils sont endommagés, confiez leur réparation à un centre de service après-vente agréé. Inspectez les rallonges périodiquement et remplacez-les si elles sont détériorées.
21. Ne pliez pas le tuyau, ni ne tirez ou marchez dessus.
22. Arrêtez immédiatement l'aspirateur si vous remarquez des performances médiocres ou toute autre anomalie pendant le fonctionnement.
23. **DÉBRANCHEZ L'ASPIRATEUR**. Lorsque vous n'utilisez pas l'aspirateur, avant de le réparer et lors du remplacement des accessoires.
24. Procédez au nettoyage et à l'entretien de l'aspirateur immédiatement après chaque utilisation pour le maintenir dans des conditions de fonctionnement optimales.
25. **ENTRETIENEZ SOIGNEUSEMENT L'ASPIRATEUR**. L'aspirateur doit toujours être propre pour améliorer la sécurité et les performances. Suivez les instructions pour remplacer les accessoires. Les poignées doivent toujours être sèches, propres et exemptes d'huile ou de graisse.
26. **VÉRIFIEZ LES PIÈCES ENDOMMAGÉES**. Avant toute nouvelle utilisation de l'aspirateur, vérifiez soigneusement un carter de protection ou toute autre pièce endommagées pour déterminer qu'ils fonctionnent bien et remplissent leurs fonctions respectives. Vérifiez l'alignement des pièces mobiles, le blocage des pièces mobiles, les pièces cassées, l'installation et tout autre état susceptible d'affecter le fonctionnement. Un carter de protection ou toute autre pièce endommagées doivent être réparés ou remplacés correctement par un centre de service après-vente agréé sauf indication contraire de ce mode d'emploi. Confiez le remplacement des interrupteurs défectueux à un centre de service après-vente agréé. N'utilisez pas l'aspirateur s'il ne peut pas être mis sous et hors tension au moyen de l'interrupteur.
27. Pour le dépannage utilisateur, la machine doit être démontée, nettoyée et dépannée, autant que raisonnablement possible, sans mettre en danger le personnel de maintenance et d'autres personnes.
28. La machine doit être inspectée sur le plan technique par le fabricant ou une personne formée, au moins une fois par an, et cette inspection doit comprendre, entre autres, la vérification des dommages des filtres, de l'étanchéité à l'air de la machine et du bon fonctionnement du mécanisme de contrôle.
29. Lors des tâches d'entretien ou de réparation, tous les éléments contaminés ne pouvant être nettoyés de manière satisfaisante doivent être mis au rebut. Ces éléments doivent être jetés dans des sacs étanches conformément aux réglementations actuelles en matière de mise au rebut de ce type de déchets.

30. **PIÈCES DE RECHANGE.** En cas de réparation, utilisez uniquement des pièces de rechange identiques.
31. **RANGÉZ L'ASPIRATEUR APRÈS UTILISATION.** Lorsque vous n'utilisez pas l'aspirateur, rangez-le à l'intérieur.
32. Les filtres humides et la partie intérieure du récipient de liquide doivent être séchés avant rangement.
33. **Épargnez votre aspirateur.** Une manipulation brutale peut entraîner la rupture de l'aspirateur le plus robuste.
34. **Ne nettoyez pas l'extérieur ou l'intérieur avec du benzène, du diluant ou d'autres produits chimiques de nettoyage.** Vous risqueriez de le fissurer ou de le décolorer.
35. **N'utilisez pas l'aspirateur dans un endroit fermé où des vapeurs inflammables, explosives ou toxiques sont dégagées par de la peinture à base d'huile, du diluant pour peinture, de l'essence, certains produits antimites, etc., ou dans des endroits exposés à des poussières inflammables.**
36. **Ne laissez pas le cordon de l'aspirateur à même le sol après avoir terminé d'aspirer.** Il pourrait faire trébucher quelqu'un ou endommager l'aspirateur.
37. **N'utilisez pas cet outil ou tout autre sous l'emprise de drogues, de médicaments ou d'alcool.**
38. **Par mesure de sécurité, utilisez des lunettes à coques ou des lunettes de sécurité avec écrans latéraux.**
39. **Utilisez un masque anti-poussière dans des conditions de travail poussiéreuses.**
40. **Cette machine n'est pas destinée à être utilisée par des personnes (y compris les enfants) aux facultés physiques, sensorielles ou mentales diminuées ou sans expérience ni expertise.**
41. **Les enfants doivent être sous la surveillance d'un adulte afin de s'assurer qu'ils ne jouent pas avec l'aspirateur.**
42. **Ne manipulez jamais la fiche de cordon ou l'aspirateur avec les mains mouillées.**
43. **Redoublez de précaution lorsque vous nettoyez des escaliers.**
44. **N'utilisez pas l'aspirateur comme marchepied ou établi.** La machine pourrait tomber et provoquer des blessures corporelles.

Utilisation et entretien des outils fonctionnant sur batterie

1. **Rechargez la batterie uniquement avec le chargeur spécifié par le fabricant.** Un chargeur qui est adapté à un type spécifique de batterie peut présenter un risque d'incendie s'il est utilisé avec un autre type de batterie.
2. **Utilisez un outil électrique uniquement avec la batterie spécifiquement indiquée.** L'utilisation de toute autre batterie peut présenter un risque de blessure et d'incendie.
3. **Lorsque vous n'utilisez pas la batterie, tenez-la à l'écart des objets métalliques, comme des trombones, pièces de monnaie, clés, clous, vis ou autres petits objets métalliques, susceptibles de créer une connexion entre deux bornes.** Court-

circuiter les bornes d'une batterie entre elles peut provoquer des brûlures ou un incendie.

4. **Dans des conditions d'utilisation inadéquate, il peut y avoir une fuite de l'électrolyte de la batterie.** Le cas échéant, évitez tout contact avec ce liquide. En cas de contact accidentel, rincez à l'eau. Si le liquide pénètre dans les yeux, consultez par ailleurs un médecin. Le liquide s'échappant de la batterie peut provoquer une irritation ou des brûlures.
5. **N'utilisez pas une batterie ou un outil s'ils sont endommagés ou modifiés.** Une batterie endommagée ou modifiée peut avoir un comportement imprévisible susceptible d'entraîner un incendie, une explosion ou des blessures.
6. **N'exposez pas la batterie ou l'outil au feu ou à une température excessive.** L'exposition au feu ou à une température supérieure à 130 °C peut provoquer une explosion.
7. **Respectez toutes les instructions de charge et ne chargez pas la batterie ou l'outil en dehors de la plage de température indiquée dans les instructions.** Une charge incorrecte ou à une température en dehors de la plage indiquée peut endommager la batterie et augmenter le risque d'incendie.

CONSERVEZ CES INSTRUCTIONS.



AVERTISSEMENT :

NE vous laissez PAS tromper (au fil d'une utilisation répétée) par un sentiment d'aisance et de familiarité avec le produit, en négligeant le respect rigoureux des consignes de sécurité qui accompagnent le produit en question. La **MAUVAISE UTILISATION** de l'outil ou l'ignorance des consignes de sécurité indiquées dans ce mode d'emploi peut entraîner de graves blessures.

Consignes de sécurité importantes pour la batterie

ENC007-17


1. **Avant d'utiliser la batterie, lisez toutes les instructions et précautions relatives (1) au chargeur de batterie, (2) à la batterie, et (3) au produit utilisant la batterie.**
2. **Ne désassemblez pas et ne modifiez pas la batterie.** Cela pourrait entraîner un incendie, une chaleur excessive ou une explosion.
3. **Cessez immédiatement l'utilisation si le temps de fonctionnement devient excessivement court. Il y a un risque de surchauffe, de brûlures, voire d'explosion.**
4. **Si l'électrolyte pénètre dans vos yeux, rincez-les à l'eau claire et consultez immédiatement un médecin. Il y a un risque de perte de la vue.**
5. **Ne court-circuitez pas la batterie :**
 - (1) **Ne touchez les bornes avec aucun matériau conducteur.**
 - (2) **Évitez de ranger la batterie dans un conteneur avec d'autres objets métalliques,**

par exemple des clous, des pièces de monnaie, etc.

- (3) **N'exposez pas la batterie à l'eau ou à la pluie. Un court-circuit de la batterie peut provoquer une intensité de courant élevée, une surchauffe, parfois des brûlures et même une panne.**
6. **Ne rangez ni n'utilisez l'outil et la batterie dans un endroit où la température risque d'atteindre ou de dépasser 50 °C.**
7. **Ne jetez pas la batterie au feu même si elle est sérieusement endommagée ou complètement épuisée. La batterie peut exploser au contact du feu.**
8. **Abstenez-vous de clouer, couper, écraser, jeter, laisser tomber la batterie, ou de la heurter contre un objet dur.** Cela pourrait entraîner un incendie, une chaleur excessive ou une explosion.
9. **N'utilisez pas la batterie si elle est endommagée.**
10. **Les batteries au lithium-ion contenues sont soumises aux exigences de la législation sur les marchandises dangereuses.**
Lors du transport commercial par des tierces parties ou des transitaires par exemple, des exigences spécifiques en matière d'étiquetage et d'emballage doivent être respectées.
Pour la préparation de l'article expédié, il est nécessaire de consulter un expert en matériau dangereux. Veuillez également respecter les réglementations nationales susceptibles d'être plus détaillées.
Recouvrez les contacts exposés avec du ruban adhésif ou du ruban de masquage et emballez la batterie de telle sorte qu'elle ne puisse pas bouger dans l'emballage.
11. **Lors de la mise au rebut de la batterie, retirez-la de l'outil et jetez-la en lieu sûr. Suivez les réglementations locales en matière de mise au rebut des batteries.**
12. **Utilisez les batteries uniquement avec les produits spécifiés par Makita.** L'insertion de batteries dans des produits non conformes peut provoquer un incendie, une chaleur excessive, une explosion ou une fuite de l'électrolyte.
13. **Lorsque vous n'utilisez pas l'outil pendant une période prolongée, la batterie doit être retirée de l'outil.**
14. **Pendant et après l'utilisation, la batterie peut chauffer, ce qui peut entraîner des brûlures, y compris en cas de température relativement basse. Manipulez les batteries chaudes avec précaution.**
15. **Ne touchez pas la borne de l'outil immédiatement après utilisation car elle peut être assez chaude pour provoquer des brûlures.**
16. **Évitez que des copeaux, de la poussière ou du sol adhèrent aux bornes, aux trous et aux rainures de la batterie.** Cela peut provoquer un échauffement, un incendie, une explosion ou un dysfonctionnement de l'outil ou de la batterie, ce qui peut entraîner des brûlures ou des blessures.
17. **À moins que l'outil prenne en charge un tel usage, n'utilisez pas la batterie à proximité de lignes électriques haute tension.** Cela pourrait entraîner un dysfonctionnement ou casser l'outil ou la batterie.

18. **Conservez la batterie hors de portée des enfants.**

CONSERVEZ CES INSTRUCTIONS.


 **ATTENTION : N'utilisez que des batteries Makita d'origine.** L'utilisation de batteries de marque autre que Makita ou de batteries modifiées peut provoquer l'explosion des batteries, ce qui présente un risque d'incendie, de dommages matériels et corporels. Cela annulera également la garantie Makita pour l'outil et le chargeur Makita.

Conseils pour assurer la durée de vie optimale de la batterie

1. **Chargez la batterie avant qu'elle ne soit complètement déchargée. Arrêtez toujours l'outil et rechargez la batterie quand vous remarquez que la puissance de l'outil diminue.**
2. **Ne rechargez jamais une batterie complètement chargée. La surcharge réduit la durée de service de la batterie.**
3. **Chargez la batterie à une température ambiante comprise entre 10 °C et 40 °C. Avant de charger une batterie chaude, laissez-la refroidir.**
4. **Lorsque vous n'utilisez pas la batterie, retirez-la de l'outil ou du chargeur.**
5. **Rechargez la batterie si elle est restée inutilisée pendant une période prolongée (plus de six mois).**

DESCRIPTION DU FONCTIONNEMENT

Utilisation sur secteur :

 **AVERTISSEMENT :**

- **Avant de brancher l'aspirateur, assurez-vous toujours qu'il est éteint.** Le fait de brancher l'aspirateur alors que l'interrupteur est en position de marche risque de provoquer le démarrage involontaire de l'appareil et d'entraîner de graves blessures corporelles.

Branchez la prise dans une source d'alimentation électrique. (Fig. 1)

Le voyant de mise sous tension s'allume lorsque vous placez l'interrupteur de mise en veille en position « 1 ». (Fig. 2)

REMARQUE :

- Même si l'appareil fonctionne en mode batterie, il bascule automatiquement en mode secteur lorsque vous le branchez.
- Si vous débranchez l'outil pendant le fonctionnement alors que la batterie est insérée, l'aspirateur passe en état de veille.

Utilisation avec la batterie :

Installation ou retrait de la batterie

ATTENTION :

- Veillez toujours à ce que l'aspirateur soit éteint et débranché et la batterie retirée avant d'effectuer des réglages ou de vérifier le fonctionnement de l'outil.
- **Tenez fermement l'aspirateur et la batterie lors de l'installation ou du retrait de la batterie.** Si vous ne tenez pas fermement l'aspirateur et la batterie, ils risquent de glisser et de s'abîmer et de vous blesser.
- **Veillez à ne pas vous pincer les doigts en ouvrant ou en fermant le couvercle des batteries.** Le non-respect de cette consigne peut provoquer des blessures corporelles.

Pour installer la batterie, ouvrez tout d'abord le verrou, puis ouvrez le couvercle des batteries. Ensuite, insérez la batterie. (Fig. 3)

Alignez la languette de la batterie sur la rainure qui se trouve à l'intérieur du boîtier, puis faites glisser la batterie pour la mettre en place. Insérez-la bien à fond, jusqu'à ce qu'elle se verrouille en émettant un léger clic. Ensuite, verrouillez le couvercle des batteries. (Fig. 4)

Pour retirer la batterie, faites glisser le bouton à l'avant de la batterie et sortez la batterie.

NOTE :

- Débranchez la prise de l'aspirateur de la rallonge lorsque vous utilisez l'aspirateur avec les batteries.

ATTENTION :

- Installez toujours la batterie de sorte qu'elle soit bien en place. À défaut, elle risque de tomber accidentellement de l'outil et de vous blesser ou de blesser une personne située près de vous.
- Ne forcez pas pour installer la batterie. Si la batterie ne glisse pas aisément, elle n'est pas insérée correctement.

REMARQUE :

- L'aspirateur ne peut pas fonctionner avec une seule batterie.


Système de protection de l'outil/la batterie

L'outil est équipé d'un système de protection de l'outil/la batterie. Ce système coupe automatiquement l'alimentation en électricité vers le moteur afin de prolonger la durée de vie de l'outil et de la batterie. Si l'outil ou la batterie se trouve dans l'une des situations suivantes, l'outil s'arrête automatiquement. Dans certains cas, les voyants s'allument.

Protection contre les surcharges

Si l'outil est en surcharge, il s'arrête automatiquement. Dans ce cas, mettez-le hors tension et arrêtez l'application ayant provoqué la surcharge de l'outil. Mettez ensuite l'outil sous tension pour le redémarrer.

Protection contre les surchauffes de l'outil

<input checked="" type="checkbox"/> : allumé	<input checked="" type="checkbox"/> : clignotant
	

015485

Si l'outil est en surchauffe, il s'arrête automatiquement et le voyant de batterie clignote pendant 60 secondes environ. Dans ce cas, laissez l'outil refroidir avant de le remettre sous tension.


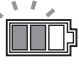
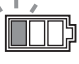
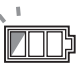
Protection contre les décharges accélérées

Si l'autonomie de la batterie devient faible, l'outil s'arrête automatiquement. Si le produit ne fonctionne pas, même lorsque vous actionnez les interrupteurs, retirez les batteries de l'outil et rechargez-les.

Indication d'autonomie restante de la batterie (Fig. 5 et 6)

Appuyez sur le bouton de vérification pour que les voyants de batterie affichent l'autonomie restante de la batterie. Chaque voyant de batterie correspond à une batterie.

Indication d'autonomie restante de la batterie

État du voyant de la batterie			Autonomie restante de la batterie
<input checked="" type="checkbox"/> : allumé	<input type="checkbox"/> : éteint	<input checked="" type="checkbox"/> : clignotant	
			50 % à 100 %
			20 % à 50 %
			0 % à 20 %
			Recharger la batterie

015527

Indication de l'autonomie restante de la batterie

Uniquement pour les batteries avec voyant (Fig. 7)

Appuyez sur le bouton de vérification pour indiquer l'autonomie restante de la batterie. Les voyants s'allument alors pendant quelques secondes.

Voyants			Autonomie restante
Allumé	Éteint	Clignotant	
■	□	◻	75 % à 100 %
■	■	■	
■	■	□	
■	■	□	
■	□	□	25 % à 50 %
■	□	□	0 % à 25 %
◻	□	□	Recharger la batterie.
■	■	□	Il est possible que la batterie ait mal fonctionné.
□	□	■	

015658

REMARQUE :

- Selon les conditions d'utilisation et la température ambiante, les indications peuvent différer légèrement de l'autonomie réelle restante.

Interrupteur (Fig. 8)

Pour démarrer l'aspirateur :

- Placez l'interrupteur de mise en veille en position « I ». L'aspirateur passe alors en état de veille.
- Appuyez sur le bouton d'alimentation. Pour que l'aspirateur passe en mode veille, appuyez à nouveau sur le bouton d'alimentation. Pour éteindre l'aspirateur, placez l'interrupteur de mise en veille en position « O ».

Vous pouvez régler la puissance de l'aspiration en fonction de vos besoins.

Vous pouvez augmenter la puissance de l'aspiration en tournant le bouton de réglage correspondant depuis le symbole ☹ vers le symbole ☺.

NOTE :

- Placez toujours l'interrupteur de mise en veille en position « O » lorsque vous prévoyez de ne pas utiliser l'aspirateur pendant une période prolongée. L'aspirateur consomme de l'énergie lorsqu'il est en veille.

Arrêt de l'aspiration automatique en cas d'aspiration de poussières humides (pour le modèle à filtre à tissu)

⚠ AVERTISSEMENT :

- N'utilisez pas l'appareil pendant une durée prolongée lors du fonctionnement du flotteur. L'utilisation prolongée de l'aspirateur lors du fonctionnement de son flotteur peut provoquer une surchauffe et entraîner une déformation de l'aspirateur.
- N'aspirez pas de mousse ou de liquide savonneux. L'aspiration de mousse ou de liquide savonneux peut entraîner l'expulsion de la mousse avant le fonctionnement du flotteur. Si vous continuez à utiliser

l'appareil dans cet état, vous risquez de provoquer un choc électrique et de casser l'aspirateur.

L'arrêt de l'aspiration automatique fonctionne uniquement lorsque l'aspirateur est utilisé avec le flotteur et la cage du flotteur.

L'aspirateur est équipé d'un mécanisme à flotteur qui empêche l'eau de pénétrer dans le moteur lors de l'aspiration d'une quantité d'eau trop importante. Lorsque le réservoir est plein et que l'aspirateur n'aspire plus d'eau, éteignez l'aspirateur et videz le réservoir.

Blocage ou déblocage des roulettes (Fig. 9)

Pour bloquer les roulettes à l'aide d'une butée, abaissez le levier de butée afin d'empêcher les roulettes de tourner. Pour débloquer les roulettes, soulevez le levier de butée. Il est pratique de bloquer les roulettes lors du rangement de l'aspirateur, de l'interruption momentanée de l'aspiration et du maintien à l'arrêt de l'aspirateur. Pour bouger la butée, déplacez-la avec la main.

REMARQUE :

- Lors du déplacement de l'aspirateur, assurez-vous que les roulettes sont débloquées. Si vous déplacez l'aspirateur alors que les roulettes sont bloquées, vous risquez de les endommager.

Poignée de transport (Fig. 10)

Pour transporter l'aspirateur, tenez la poignée située sur le chapeau. Lorsque vous n'utilisez pas la poignée, vous pouvez la rétracter sur le chapeau.

DESCRIPTION DES PIÈCES

Modèle DVC860L

(Modèle à filtre à tissu (pour la poussière sèche et humide)) (Fig. 11)

Modèle DVC861L

(Modèle à filtre à poudre (pour la poussière sèche)) (Fig. 12)

MONTAGE

⚠ ATTENTION :

- Avant d'effectuer toute intervention sur l'aspirateur, veillez toujours à le mettre hors tension, à le débrancher et à retirer la batterie.
- Portez toujours un masque anti-poussières lors du montage ou de l'entretien.

Installation du filtre à poudre (HEPA) et du préfiltre (pour la poussière sèche) (Fig. 13 et 14)

Accessoire fourni en option pour le modèle à filtre à tissu

⚠ ATTENTION :

- N'aspirez jamais d'eau ou d'autres liquides ou bien des poussières humides lors de l'utilisation du filtre à poudre. L'aspiration de ces types de substances peut entraîner le déchirement du filtre à poudre.

Pour utiliser le filtre à poudre, dévissez les boulons et retirez la cage du flotteur et le flotteur. Placez le préfiltre dans le réservoir. Ensuite, installez l'humidificateur sur le filtre à poudre, puis placez-les dans le préfiltre. Lors de l'installation du filtre à poudre et du préfiltre, alignez les repères pour la position de montage de chacun d'eux sur ceux indiqués en haut du réservoir. Enfin, installez le couvercle du réservoir et verrouillez-le.

REMARQUE :

- Avant d'utiliser le filtre à poudre, assurez-vous que le préfiltre et l'humidificateur sont toujours utilisés conjointement. Il est interdit d'installer le filtre à poudre uniquement.

Installation du filtre à eau (pour le modèle à filtre à tissu) (accessoire fourni en option)

⚠ ATTENTION :

- N'aspirez jamais d'eau ou de poussière humide sans le flotteur et le filtre à tissu ou le filtre à eau.
- Avant d'aspirer de la poussière humide, assurez-vous que la cage du flotteur et le flotteur sont installés sur l'aspirateur.
- Lors de l'installation du filtre à eau sur le réservoir, serrez-le à fond sur l'ouverture du réservoir, de sorte que le crochet du filtre à eau s'insère à fond dans l'ouverture du réservoir et qu'il n'y ait pas d'espace entre le filtre à eau et le réservoir.

NOTE :

- Il est conseillé d'utiliser un filtre à eau en cas d'aspiration répétée de grandes quantités d'eau. Dans le cas contraire, la capacité d'aspiration peut être réduite avec un filtre à tissu.

Pour aspirer uniquement de l'eau ou de la poussière humide, il est recommandé d'utiliser le filtre à eau plutôt que le filtre à tissu.

Lors de l'installation du filtre à eau, alignez le repère pour sa position de montage sur celui situé sur le réservoir.

(Fig. 15)

Installation du pack en papier (accessoire fourni en option)

⚠ AVERTISSEMENT :

- Lors de l'utilisation du pack en papier, utilisez également le filtre à tissu ou le préfiltre préinstallé sur l'outil. Le fait de ne pas utiliser le filtre à tissu/préfiltre risque de provoquer un bruit anormal et de la chaleur, puis de déclencher un incendie.

⚠ ATTENTION :

(Pour le modèle à filtre à tissu)

- N'aspirez jamais d'eau ou d'autres liquides ou bien des poussières humides lors de l'utilisation du pack en papier. L'aspiration de ces types de substances peut entraîner le déchirement du pack en papier.
- Avant d'utiliser le pack en papier, assurez-vous que le filtre à poudre (accessoire fourni en option), l'humidificateur (accessoire fourni en option) et le préfiltre sont toujours utilisés conjointement.

(Pour le modèle à filtre à poudre)

- Avant d'utiliser le pack en papier, assurez-vous que le filtre à poudre, l'humidificateur et le préfiltre sont toujours utilisés conjointement.

1. Retirez le support en caoutchouc. (Fig. 16)
2. Déployez le pack en papier.
3. Alignez l'ouverture du pack en papier sur l'ouverture d'aspiration de la poussière de l'aspirateur.
4. Insérez le carton du pack en papier sur le support, de sorte qu'il se trouve à l'extrémité au-delà du renflement bloquant. (Fig. 17)

Installation du sac en polyéthylène

Vous pouvez également utiliser l'aspirateur sans sac en polyéthylène. Toutefois, l'utilisation d'un sac en polyéthylène facilite le vidage du réservoir tout en évitant de se salir les mains.

Étalez le sac en polyéthylène dans le réservoir. Insérez-le entre la plaque du support et le réservoir et tirez-le vers l'entrée du tuyau.

Étalez le sac autour de la partie supérieure du réservoir, de sorte que le bord du préfiltre puisse accrocher et bien maintenir le sac. (Fig. 18)

REMARQUE :

- Vous pouvez utiliser un sac en polyéthylène disponible dans le commerce. Il est recommandé d'utiliser un sac d'une épaisseur de 0,04 mm au moins.
- Une quantité de poussière trop importante déchirera aisément le sac, donc ne remplissez pas le sac de plus de la moitié de sa capacité en poussière.

Vidage du sac en polyéthylène

⚠ AVERTISSEMENT :

- Assurez-vous toujours que l'aspirateur est éteint et débranché avant de vider le sac en polyéthylène. Le non respect de cette consigne peut provoquer un choc électrique et de graves blessures corporelles.

⚠ ATTENTION :

- N'appuyez pas fortement sur la cage du flotteur et le réservoir. Une pression trop importante pourrait déformer et endommager les pièces.
- Videz le réservoir au moins une fois par jour, même si cela dépend du volume de poussière aspirée dans le réservoir. Dans le cas contraire, la puissance d'aspiration sera amoindrie et le moteur risquera de se casser.
- Ne tirez pas sur le crochet lorsque vous videz le réservoir. Vous risqueriez de le casser.

Décrochez et soulevez le couvercle du réservoir.

Secouez la poussière présente sur le filtre à tissu/filtre à poudre, puis sortez le sac en polyéthylène du réservoir. (Fig. 19)

REMARQUE :

- Au moment de vider le sac en polyéthylène, sortez-le du réservoir avec précaution, de sorte qu'il ne puisse pas être happé et déchiré par le renflement à l'intérieur du réservoir.
- Videz le sac en polyéthylène avant qu'il soit plein. Une quantité trop importante de poussière dans le réservoir peut entraîner la déchirure du sac en polyéthylène.

Installation de la boîte à outils

1. Déverrouillez le couvercle des batteries et ouvrez-le.
 2. Placez les rails de la boîte à outils le long des rainures du boîtier. (Fig. 20)
 3. Fermez le couvercle des batteries et verrouillez-le.
- La boîte à outils est pratique pour transporter les batteries, la rallonge, le tuyau ou les manchons. (Fig. 21)

Raccordement du tuyau

⚠ ATTENTION :

- Ne forcez jamais sur le tuyau pour le courber ou le marquer. Ne déplacez jamais l'aspirateur en le tirant par le tuyau. Si vous forcez, marquez et tirez sur le tuyau, vous risquez de le casser ou de le déformer.
- Lors de l'aspiration de gros déchets, tels que des copeaux, des morceaux de béton ou des substances similaires qui ne sont pas de petits déchets, utilisez le tuyau de 38 mm de diamètre interne (accessoire fourni en option). L'utilisation du tuyau de 28 mm de diamètre interne (accessoire fourni en option) peut provoquer l'obturation et l'endommagement du tuyau.

Insérez le tuyau dans le port de montage du réservoir et tournez-le dans le sens des aiguilles d'une montre jusqu'à ce qu'il se bloque. (Fig. 22)

ENTRETIEN

⚠ ATTENTION :

- Assurez-vous toujours que l'outil est éteint et débranché et que la batterie est retirée avant d'y effectuer tout travail d'inspection ou d'entretien.

Rangement du cordon d'alimentation (Fig. 23)

Vous pouvez enrouler le cordon d'alimentation autour de la boîte à outils.

Rangement des accessoires (Fig. 24)

Si vous prévoyez de ne pas utiliser l'aspirateur pendant une courte durée, vous pouvez placer les tuyaux dans le support de tuyau. (Fig. 25)

Vous pouvez ranger le tuyau autour de l'outil en reliant chacune de ses extrémités. (Fig. 26)

Nettoyage

⚠ ATTENTION :

- N'utilisez jamais d'essence, de benzine, de diluant, d'alcool ou de produit similaire. Ces produits risquent de provoquer des décolorations, des déformations ou des fissures.

Nettoyage du filtre à tissu

Uniquement pour le modèle à filtre à tissu

Un filtre à tissu encrassé altère les performances d'aspiration.

Nettoyez le filtre à tissu de temps en temps.

Pour retirer la poussière ou les particules collées au filtre à tissu, secouez plusieurs fois la partie inférieure du châssis. (Fig. 27)

Nettoyage du filtre à poudre (HEPA) et du préfiltre

Uniquement pour le modèle à filtre à poudre

Si le filtre à poudre, le préfiltre ou l'humidificateur sont bouchés, les performances d'aspiration seront amoindries.

Nettoyez les filtres et les humidificateurs de temps en temps.

Pour retirer la poussière ou les particules collées aux filtres, secouez plusieurs fois la partie inférieure du châssis.

Lavez de temps à autre le filtre à poudre à l'eau, rincez-le et séchez-le bien à l'ombre avant de l'utiliser. Ne lavez jamais les filtres dans une machine à laver. (Fig. 28)

REMARQUE :

- Ne frottez pas et ne rayez pas le filtre à poudre, le préfiltre ou l'humidificateur avec des objets durs tels qu'une brosse ou une spatule.
- Les filtres s'usent au fil du temps. Il est conseillé d'acheter des filtres de rechange.

Pour garantir la SÉCURITÉ et la FIABILITÉ du produit, les réparations ainsi que tout autre travail d'entretien ou de réglage doivent être effectués dans un centre d'entretien Makita agréé, exclusivement avec des pièces de rechange Makita.

ACCESSOIRES FOURNIS EN OPTION

⚠ ATTENTION :

- Ces accessoires ou pièces complémentaires sont recommandés pour être utilisés avec l'outil Makita spécifié dans ce mode d'emploi. L'utilisation de tout autre accessoire ou pièce complémentaire peut comporter un risque de blessure. N'utilisez les accessoires ou pièces qu'aux fins auxquelles ils ont été conçus.

Pour obtenir plus de détails sur ces accessoires, contactez votre Centre de service local Makita.

- Batterie et chargeur Makita d'origine
- Tuyau
- Manchons avant (22, 24, 38)
- Tuyau droit
- Embout d'angle
- Brosse ronde
- Filtre à poudre, HEPA (pour la poussière sèche)
- Humidificateur
- Préfiltre
- Ensemble de l'embout
- Tuyau courbé
- Sac en polyéthylène
- Filtre à eau (en option pour le modèle à filtre à tissu)
- Pack en papier
- Ensemble du support

REMARQUE :

- Certains éléments de la liste peuvent être inclus en tant qu'accessoires standard dans le coffret de l'outil envoyé. Ils peuvent varier suivant les pays.

Bruit

ENG905-1

Les niveaux de bruit pondéré A typiques ont été mesurés selon la norme IEC60335-2-69 :

Niveau de pression sonore (L_{pA}) : 75 dB (A)

Incertitude (K) : 2,5 dB (A)

Le niveau de bruit peut dépasser 80 dB (A) lors de l'utilisation.

ENG907-1

- La ou les valeurs d'émission de bruit déclarées ont été mesurées conformément à la méthode de test standard et peuvent être utilisées pour comparer les outils entre eux.
- La ou les valeurs d'émission de bruit déclarées peuvent aussi être utilisées pour l'évaluation préliminaire de l'exposition.

AVERTISSEMENT :

- **Portez un serre-tête antibruit.**
- **L'émission de bruit lors de l'usage réel de l'outil électrique peut être différente de la ou des valeurs déclarées, suivant la façon dont l'outil est utilisé, particulièrement selon le type de pièce usinée.**
- **Les mesures de sécurité à prendre pour protéger l'utilisateur doivent être basées sur une estimation de l'exposition dans des conditions réelles d'utilisation (en tenant compte de toutes les composantes du cycle d'utilisation, comme par exemple le moment de sa mise hors tension, lorsqu'il tourne à vide et le moment de son déclenchement).**

Vibrations

ENG900-1

La valeur totale de vibration (somme du vecteur triaxial) déterminée selon la norme IEC60335-2-69 :

Émission de vibrations (a_h) : 2,5 m/s² au maximum

Incertitude (K) : 1,5 m/s²

ENG901-2

- La ou les valeurs de vibration totales déclarées ont été mesurées conformément à la méthode de test standard et peuvent être utilisées pour comparer les outils entre eux.
- La ou les valeurs de vibration totales déclarées peuvent aussi être utilisées pour l'évaluation préliminaire de l'exposition.

AVERTISSEMENT :

- **L'émission de vibrations lors de l'usage réel de l'outil électrique peut être différente de la ou des valeurs déclarées, suivant la façon dont l'outil est utilisé, particulièrement selon le type de pièce usinée.**
- **Les mesures de sécurité à prendre pour protéger l'utilisateur doivent être basées sur une estimation de l'exposition dans des conditions réelles d'utilisation (en tenant compte de toutes les composantes du cycle d'utilisation, comme par exemple le moment de sa mise hors tension, lorsqu'il tourne à vide et le moment de son déclenchement).**

Déclaration de conformité CE

Pour les pays européens uniquement

La déclaration de conformité CE est fournie en Annexe A à ce mode d'emploi.

DEUTSCH (Originalanweisungen)

WARNUNG

- Diese Maschine sollte nicht von Personen (einschließlich Kindern) mit reduzierten körperlichen, sensorischen oder geistigen Fähigkeiten oder mangelnder Erfahrung und Kenntnis benutzt werden.
- Kinder sollten beaufsichtigt werden, um sicherzugehen, dass sie nicht mit dem Sauggerät spielen.
- Falls das Versorgungskabel beschädigt ist, muss es von der autorisierten Service-Einrichtung ersetzt werden.
- Angaben zur Typenbezeichnung des Akkus finden Sie im Kapitel „TECHNISCHE DATEN“.
- Angaben zum Demontage- oder Installationsverfahren des Akkus finden Sie im Abschnitt „Installieren oder Demontieren des Akkus“.
- Entfernen Sie den Akku zum Entsorgen vom Werkzeug, und entsorgen Sie ihn an einem sicheren Ort. Befolgen Sie die örtlichen Vorschriften bezüglich der Entsorgung von Akkus.
- Soll das Werkzeug längere Zeit nicht benutzt werden, muss der Akku vom Werkzeug entfernt werden.
- Der Akku darf nicht kurzgeschlossen werden.
- Entsprechende Details der Vorsichtsmaßnahmen während der Benutzerwartung finden Sie im Kapitel „WARTUNG“.

Erklärung der Gesamtdarstellung

- | | | |
|--|-------------------------------------|---|
| 1. Netzstecker (die Form und Kabellänge können in den einzelnen Ländern voneinander abweichen) | 9. Einschalter | 20. Staubfilter (HEPA) |
| 2. Netz-Betriebsanzeige | 10. Einstellknopf für die Saugkraft | 21. Feuchtefilter |
| 3. Verriegelung | 11. Rolle | 22. Vorfilter |
| 4. Akkuabdeckung | 12. Stopperhebel | 23. Markierung der Befestigungsposition |
| 5. Akkublock | 13. Position ENTRIEGELT | 24. Wasserfilter |
| 6. Akkuprüfstaste | 14. Position VERRIEGELT | 25. Gummihalter |
| 7. Anzeigenlampen | 15. Behälterdeckel | 26. Papiertüte |
| 8. Stand-by-Schalter | 16. Schwimmer | 27. Halterung |
| | 17. Schwimmerkorb | 28. Halteplatte |
| | 18. Tuchfilter | 29. Polyethylenbeutel |
| | 19. Behälter | |

TECHNISCHE DATEN

Modell		DVC860L	DVC861L
Standard-Filtertyp		Tuchfilter (für trockenen und feuchten Staub)	Staubfilter (für trockenen Staub)
Volumenstrom (Luft)	Akku-Betrieb (mit BL1830, Schlauch \varnothing 38 mm x 2,5 m)	2,1 m ³ /min	
	Netz-Betrieb (mit Schlauch \varnothing 38 mm x 2,5 m)	3,6 m ³ /min	
Unterdruck	Akku-Betrieb (mit BL1830, Schlauch \varnothing 38 mm x 2,5 m)	90 hPa	
	Netz-Betrieb (mit Schlauch \varnothing 38 mm x 2,5 m)	240 hPa	
Aufnahmefähigkeit	Staub	8 L	
	Wasser	6 L	–
Abmessungen (L x B x H)		366 mm x 334 mm x 368 mm	
Elektrische Nennwerte bei Netzstrombetrieb		Hängt vom jeweiligen Land ab. Nehmen Sie auf das Typenschild Bezug.	
Nennspannung (Betrieb mit Akkus)		Gleichspannung 36 V	
Nettogewicht		8,6 - 9,2 kg	9,3 - 9,9 kg
Schutzgrad		IPX4	
Schutzklasse		□/II	

- Aufgrund unserer beständigen Forschungen und Weiterentwicklungen sind Änderungen an den hier angegebenen Technischen Daten ohne Vorankündigung vorbehalten.
- Die technischen Daten und der Akku können von Land zu Land unterschiedlich sein.
- Das Gewicht schließt keine Zubehörteile, aber Akkus ein. Das niedrigste und höchste Kombinationsgewicht des Gerätes und der Akkus sind in der Tabelle angegeben.
- Für feuchten Staub, sind der Schwimmer und der Wasserfilter oder Tuchfilter erforderlich.

Zu verwendender Akkublock mit Ladegerät

Akkublock	BL1815N/BL1820B/BL1830B/BL1840B/BL1850B/BL1860B
Ladegerät	DC18RC/DC18RD/DC18RE/DC18SD/DC18SE/DC18SF/DC18SH

- In Abhängigkeit der Region, in der Sie ansässig sind, kann es vorkommen, dass einige von den oben aufgeführten Akkublöcken und Ladegeräten nicht verfügbar sind.

WARNUNG:

- **Verwenden Sie ausschließlich die oben angegebenen Akkublöcke und Ladegeräte.** Bei Verwendung anderer Akkublöcke und Ladegeräte besteht Verletzungs- und Brandgefahr.

Symbole

END118-1

Nachfolgend werden Symbole beschrieben, die für das Gerät verwendet werden können. Machen Sie sich unbedingt vor der Benutzung mit ihrer Bedeutung vertraut.



..... Lesen Sie die Betriebsanleitung.



..... Besondere Aufmerksamkeit erforderlich.



..... Warnung! Im Absauggerät befindet sich möglicherweise gesundheitsschädlicher Staub.



..... Stellen Sie sich niemals auf das Absauggerät.



..... Staubklasse L (leicht). Die Absauggeräte können Staub der Klasse L aufnehmen. Halten Sie die in Ihrem Land geltenden Gesetze und Bestimmungen zu Staubschutz und zu Gesundheits- und Arbeitsschutz ein.



..... **DOPPELT SCHUTZISOLIERT**



..... Nur für EU-Länder
Aufgrund des Vorhandenseins gefährlicher Komponenten in der Ausrüstung können Elektro- und Elektronik-Altgeräte, Akkumulatoren und Batterien sich negativ auf die Umwelt und die menschliche Gesundheit auswirken. Entsorgen Sie Elektro- und Elektronikgeräte oder Batterien nicht mit dem Hausmüll!
In Übereinstimmung mit der Europäischen Richtlinie über Elektro- und Elektronik-Altgeräte, Akkumulatoren und Batterien, verbrauchte Akkumulatoren und Batterien sowie ihrer Anpassung an nationales Recht sollten Elektro-Altgeräte, Batterien und Akkumulatoren gemäß den Umweltschutzbestimmungen getrennt gelagert und zu einer getrennten Sammelstelle für Siedlungsabfälle geliefert werden.

Dies wird durch das am Gerät angebrachte Symbol der durchgestrichenen Abfalltonne auf Rädern angezeigt.

Verwendungszweck

ENE084-1

Das Werkzeug eignet sich für kommerziellen Einsatz z. B. in Hotels, Schulen, Krankenhäusern, Fabriken, Läden, Büros und Mietunternehmen.

DVC860L

Das Werkzeug ist für das Absaugen von Nass- und Trockenstaub vorgesehen.

DVC861L

Das Werkzeug ist nur für das Absaugen von Trockenstaub vorgesehen.


Stromversorgung

ENF002-2

Das Werkzeug darf nur an eine Stromversorgung mit Einphasen-Wechselstrom mit der auf dem Typenschild angegebenen Spannung angeschlossen werden. Das Werkzeug verfügt über ein doppelt isoliertes Gehäuse und kann daher auch an einer Stromversorgung ohne Schutzkontakt betrieben werden.

Sicherheitswarnungen für Akku- und Netzsauger

ENB124-5

 **WARNUNG: WICHTIG! Alle Sicherheitswarnungen und Anweisungen VOR GEBRAUCH AUFMERKSAM LESEN.** Eine Missachtung der Warnungen und Anweisungen kann zu einem elektrischen Schlag, Brand und/oder schweren Verletzungen führen.

1. **Stellen Sie vor dem Gebrauch sicher, dass dieses Sauggerät nur von Personen benutzt wird, die im Gebrauch dieses Sauggerätes hinreichend unterrichtet worden sind.**
2. **Vor dem Gebrauch sollten Bediener Informationen, Anweisungen und Schulung im Gebrauch der Maschine und der Substanzen, für die sie zu benutzen ist, einschließlich der sicheren Methode zur Entnahme und Entsorgung des aufgesammelten Materials, erhalten.**
3. **Falls Schaum/Flüssigkeit herauskommt, schalten Sie das Gerät sofort aus.**
4. **Reinigen Sie die Wasserstand-Begrenzungsvorrichtung regelmäßig, und untersuchen Sie sie auf Anzeichen von Beschädigung.**
5. **Benutzen Sie das Sauggerät nicht ohne den Filter. Ersetzen Sie einen beschädigten Filter unverzüglich.**

6. **VERWENDUNG DES VERLÄNGERUNGSKABELS.** Wenn Sie wegen großer Entfernung zu Ihrer Stromquelle ein Verlängerungskabel benutzen müssen, versuchen Sie, ein Kabel zu verwenden, das ausreichend dick, aber nicht zu lang ist, weil anderenfalls die Leistung des Sauggerätes beeinträchtigt wird. Verwenden Sie für Anwendungen im Freien ein für Freiluftbenutzung geeignetes Verlängerungskabel.
7. **SPANNUNGSWARNUNG:** Bevor Sie das Sauggerät an eine Stromquelle (Buchse, Steckdose usw.) anschließen, sollten Sie sich vergewissern, dass die Versorgungsspannung mit der auf dem Typenschild des Sauggerätes angegebenen übereinstimmt. Eine Stromquelle, deren Spannung höher als die für das Sauggerät angegebene ist, kann zu **SCHWERER VERLETZUNG** des Bedieners sowie zu Beschädigung des Sauggerätes führen. Im Zweifelsfall **DAS SAUGGERÄT NICHT ANSCHLIESSEN**. Die Verwendung einer Stromquelle, deren Spannung niedriger als die Angabe auf dem Typenschild ist, ist für den Motor schädlich.
8. **UNBEABSICHTIGTES EINSCHALTEN VERMEIDEN.** Vergewissern Sie sich beim Anschließen, dass der Schalter ausgeschaltet ist.
9. Versuchen Sie nicht, brennbare Materialien, Feuerwerk, brennende Zigaretten, heiße Asche, heiße Metallspäne, scharfe Gegenstände, wie etwa Rasierklingen, Nadeln, Glasscherben oder dergleichen aufzusaugen.
10. **BENUTZEN SIE DAS SAUGGERÄT NIEMALS IN DER NÄHE VON BENZIN, GAS, LACK, KLEBSTOFFEN ODER ANDEREN HOCH EXPLOSIVEN SUBSTANZEN.** Der Schalter erzeugt Funken beim Ein- und Ausschalten. Ebenso der Motorkollektor während des Betriebs. Es kann zu einer gefährlichen Explosion kommen.
11. Saugen Sie niemals giftige, krebserregende, brennbare oder andere Gefahrstoffe wie Asbest, Arsen, Barium, Beryllium, Blei, Pestizide oder sonstige gesundheitsgefährdende Materialien auf.
12. Stellen Sie das Sauggerät immer auf eine horizontale und ebene Fläche, um zu verhindern, dass es herunterfällt oder sich unbeabsichtigt bewegt.
13. Benutzen Sie das Sauggerät niemals im Freien bei Regen.
14. Für Finnland: Diese Maschine darf nicht im Freien bei niedrigen Temperaturen benutzt werden.
15. Benutzen Sie das Sauggerät nicht in der Nähe von Wärmequellen (Öfen usw.).
16. Wird die Abluft in den Raum zurückgeleitet, muss für eine angemessene Luftwechselrate im Raum gesorgt werden. Bezugnahme auf nationale Vorschriften ist notwendig.
17. **SCHUTZ VOR ELEKTRISCHEN SCHLÄGEN.** Verhindern Sie Körperkontakt mit geerdeten Oberflächen. Zum Beispiel: Rohre, Radiatoren, Herde, Kühlschranksgehäuse.
18. Blockieren Sie die Kühlluftöffnungen nicht. Diese Öffnungen gestatten eine Kühlung des Motors. Blockierung ist sorgfältig zu vermeiden, weil sonst der Motor wegen mangelnder Belüftung überhitzt.
19. Achten Sie stets auf sicheren Stand und gute Balance.
20. **KABEL NICHT MISSBRAUCHEN.** Tragen Sie das Sauggerät niemals am Netzkabel, und reißen Sie niemals daran, um es von der Steckdose zu trennen. Halten Sie das Kabel von Hitze, Öl und scharfen Kanten fern. Überprüfen Sie die Sauggerätekabel regelmäßig, und lassen Sie sie bei Beschädigung von einer autorisierten Kundendienststelle reparieren. Überprüfen Sie Verlängerungskabel regelmäßig, und tauschen Sie sie bei Beschädigung aus.
21. Vermeiden Sie Knicken, Ziehen oder Zertreten des Schlauchs.
22. Stellen Sie das Sauggerät sofort ab, wenn Sie während des Betriebs eine Leistungsver schlechterung oder etwas Ungewöhnliches bemerken.
23. **SAUGGERÄT ABTRENNEN.** Bei Nichtgebrauch, vor der Wartung und beim Wechseln von Zubehör.
24. Reinigen und warten Sie das Sauggerät sofort nach jedem Gebrauch, um es in tadellosem Betriebszustand zu halten.
25. **SAUGGERÄT SORGFÄLTIG WARTEN.** Halten Sie das Sauggerät für bessere und sicherere Leistung sauber. Befolgen Sie die Anweisungen zum Auswechseln von Zubehör. Halten Sie die Handgriffe trocken, sauber und frei von Öl und Fett.
26. **GERÄT AUF BESCHÄDIGTE TEILE ÜBERPRÜFEN.** Bevor Sie das Sauggerät weiter benutzen, sollten Sie beschädigte Schutzvorrichtungen und Teile sorgfältig auf ihre Betriebsfähigkeit und Funktionstüchtigkeit hin überprüfen. Überprüfen Sie das Gerät auf Ausrichtung und Klemmen beweglicher Teile, Beschädigung von Teilen, Befestigungszustand und sonstige Mängel von Teilen, die seinen Betrieb beeinträchtigen können. Beschädigte Schutzvorrichtungen oder Teile sollten von einem autorisierten Service-Center ordnungsgemäß repariert oder ausgewechselt werden, wenn nicht anders in dieser Bedienungsanleitung angegeben. Lassen Sie defekte Schalter von einem autorisierten Service-Center auswechseln. Benutzen Sie das Sauggerät nicht, wenn es sich nicht mit dem Schalter ein- und ausschalten lässt.
27. Für Benutzerwartung muss die Maschine zerlegt, gereinigt und gewartet werden, soweit dies einigermaßen praktikabel ist, ohne ein Risiko für das Wartungspersonal und andere Personen zu verursachen.
28. Die Maschine ist mindestens einmal jährlich vom Hersteller oder einer unterwiesenen Person einer technischen Untersuchung zu unterziehen, die z. B. aus der Überprüfung der Filter auf Beschädigung, der Luftdichtigkeit der Maschine und der einwandfreien Funktion des Steuermechanismus besteht.
29. Wenn Wartungs- oder Reparaturarbeiten ausgeführt werden, sind alle verunreinigten Artikel, die nicht zufriedenstellend gereinigt

werden können, zu entsorgen; solche Artikel sind in undurchlässigen Beuteln im Einklang mit der geltenden Verordnung für die Entsorgung solcher Abfälle zu entsorgen.

30. **ERSATZTEILE.** Verwenden Sie bei der Wartung nur identische Ersatzteile.
31. **UNBENUTZTES SAUGGERÄT LAGERN.** Bei Nichtgebrauch sollte das Sauggerät in einem Innenraum gelagert werden.
32. **Nassfilter und das Innere des Flüssigkeitsbehälters** müssen vor der Lagerung getrocknet werden.
33. **Behandeln Sie Ihr Sauggerät mit Sorgfalt.** Grobe Behandlung kann eine Beschädigung des Sauggerätes verursachen, selbst wenn es noch so robust gebaut ist.
34. **Versuchen Sie nicht, die Außen- oder Innenseite mit Waschbenzin, Verdünnern oder Reinigungskemikalien zu reinigen.** Dadurch können Risse und Verfärbung verursacht werden.
35. **Benutzen Sie das Sauggerät nicht in einem geschlossenen Raum, wo brennbare, explosive oder giftige Dämpfe von Lack auf Ölbasis, Lackverdünner, Benzin, bestimmten Mottenschutzmitteln usw. abgegeben werden, oder in Bereichen, wo brennbarer Staub vorhanden ist.**
36. **Lassen Sie das Sauggerätekabel nach Abschluss einer Reinigungsarbeit nicht auf dem Boden liegen.** Es kann zu einer Stolpergefahr werden oder Beschädigung des Sauggerätes verursachen.
37. **Betreiben Sie weder dieses noch andere Werkzeuge unter dem Einfluss von Medikamenten oder Alkohol.**
38. **Als Grundregel der Sicherheit sollten Sie stets eine Schutzbrille oder eine Sicherheitsbrille mit Seitenschützern verwenden.**
39. **Verwenden Sie eine Staubmaske bei staubigen Arbeitsbedingungen.**
40. **Diese Maschine sollte nicht von Personen (einschließlich Kindern) mit reduzierten körperlichen, sensorischen oder geistigen Fähigkeiten oder mangelnder Erfahrung und Kenntnis benutzt werden.**
41. **Kinder sollten beaufsichtigt werden, um sicherzugehen, dass sie nicht mit dem Sauggerät spielen.**
42. **Fassen Sie Kabelstecker oder Sauggerät niemals mit nassen Händen an.**
43. **Lassen Sie bei der Reinigung auf Treppen äußerste Vorsicht walten.**
44. **Benutzen Sie das Sauggerät nicht als Hocker oder Werkbank.** Anderenfalls kann die Maschine herunterfallen und Personenschäden verursachen.

Gebrauch und Pflege von Akkuwerkzeugen

1. **Laden Sie den Akku nur mit dem vom Hersteller vorgeschriebenen Ladegerät.** Ein Ladegerät, das für einen Akkutyp geeignet ist, kann eine Brandgefahr darstellen, wenn es mit einem anderen Akku verwendet wird.
2. **Benutzen Sie Elektrowerkzeuge nur mit den ausdrücklich vorgeschriebenen Akkus.** Bei

Verwendung irgendwelcher anderer Akkus besteht Verletzungs- und Brandgefahr.

3. **Halten Sie den Akku bei Nichtgebrauch von anderen Metallgegenständen, wie z. B. Büroklammern, Münzen, Schlüsseln, Nägeln, Schrauben oder anderen kleinen Metallgegenständen, fern, welche die Kontakte kurzschließen können.** Kurzschließen der Akkukontakte kann Verbrennungen oder einen Brand verursachen.
4. **Bei Missbrauch kann Flüssigkeit aus dem Akku austreten. Vermeiden Sie Kontakt mit dieser Flüssigkeit. Falls Sie versehentlich mit der Flüssigkeit in Berührung kommen, spülen Sie die betroffenen Stellen mit Wasser ab. Falls die Flüssigkeit in die Augen gelangt, suchen Sie zusätzlich ärztliche Hilfe auf.** Die vom Akku austretende Flüssigkeit kann Hautreizungen oder Verätzungen verursachen.
5. **Verwenden Sie keinen Akku und auch kein Werkzeug, der (das) beschädigt oder modifiziert ist.** Beschädigte oder modifizierte Akkus können unvorhersehbares Verhalten zeigen, das zu einem Brand, einer Explosion oder Verletzungsgefahr führen kann.
6. **Setzen Sie einen Akku oder ein Werkzeug nicht Feuer oder übermäßigen Temperaturen aus.** Bei Einwirkung von Feuer oder Temperaturen über 130 °C kann es zu einer Explosion kommen.
7. **Befolgen Sie alle Ladeanweisungen, und laden Sie den Akku bzw. das Werkzeug nicht außerhalb des in den Anweisungen angegebenen Temperaturbereichs.** Wird der Ladevorgang unsachgemäß oder bei Temperaturen außerhalb des angegebenen Bereichs durchgeführt, kann es zu einer Beschädigung des Akkus und erhöhter Brandgefahr kommen.

DIESE ANWEISUNGEN AUFBEWAHREN.

⚠️ WARNUNG:

Lassen Sie sich NICHT durch Bequemlichkeit oder Vertrautheit mit dem Produkt (durch wiederholten Gebrauch erworben) von der strikten Einhaltung der Sicherheitsregeln für das vorliegende Produkt abhalten. **MISSBRAUCH** oder Missachtung der Sicherheitsvorschriften in dieser Anleitung können schwere Verletzungen verursachen.

Wichtige Sicherheitsanweisungen für Akku

ENC007-17

1. **Lesen Sie vor der Benutzung des Akkus alle Anweisungen und Warnhinweise, die an (1) Ladegerät, (2) Akku und (3) Akkuwerkzeug angebracht sind.**
2. **Unterlassen Sie Zerlegen oder Manipulieren des Akkus.** Es kann sonst zu einem Brand, übermäßiger Hitzentwicklung oder einer Explosion kommen.
3. **Falls die Betriebszeit beträchtlich kürzer geworden ist, stellen Sie den Betrieb sofort ein. Anderenfalls besteht die Gefahr von Überhitzung,**

möglichen Verbrennungen und sogar einer Explosion.

4. Falls Elektrolyt in Ihre Augen gelangt, waschen Sie sie mit sauberem Wasser aus, und begeben Sie sich unverzüglich in ärztliche Behandlung. Anderenfalls können Sie Ihre Sehkraft verlieren.
5. Der Akku darf nicht kurzgeschlossen werden:
 - (1) Die Kontakte dürfen nicht mit leitfähigem Material berührt werden.
 - (2) Lagern Sie den Akku nicht in einem Behälter zusammen mit anderen Metallgegenständen, wie z. B. Nägel, Münzen usw.
 - (3) Setzen Sie den Akku weder Wasser noch Regen aus.

Ein Kurzschluss des Akkus verursacht starken Stromfluss, der Überhitzung, mögliche Verbrennungen und einen Defekt zur Folge haben kann.

6. Lagern und benutzen Sie das Werkzeug und den Akku nicht an Orten, an denen die Temperatur 50 °C erreichen oder überschreiten kann.
7. Versuchen Sie niemals, den Akku zu verbrennen, selbst wenn er stark beschädigt oder vollkommen verbraucht ist. Der Akku kann im Feuer explodieren.
8. Unterlassen Sie Nageln, Schneiden, Zerquetschen, Werfen, Fallenlassen des Akkus oder Schlagen des Akkus mit einem harten Gegenstand. Eine solche Handlung kann zu einem Brand, übermäßiger Hitzeentwicklung oder einer Explosion führen.
9. Benutzen Sie keine beschädigten Akkus.
10. Die enthaltenen Lithium-Ionen-Akkus unterliegen den Anforderungen der Gefahrgut-Gesetzgebung.

Für kommerzielle Transporte, z. B. durch Dritte oder Spediteure, müssen besondere Anforderungen zu Verpackung und Etikettierung beachtet werden. Zur Vorbereitung des zu transportierenden Artikels ist eine Beratung durch einen Experten für Gefahrgut erforderlich. Bitte beachten Sie möglicherweise ausführlichere nationale Vorschriften.

Überkleben oder verdecken Sie offene Kontakte, und verpacken Sie den Akku so, dass er sich in der Verpackung nicht umher bewegen kann.
11. Entfernen Sie den Akku zum Entsorgen vom Werkzeug, und entsorgen Sie ihn an einem sicheren Ort. Befolgen Sie die örtlichen Vorschriften bezüglich der Entsorgung von Akkus.
12. Verwenden Sie die Akkus nur mit den von Makita angebotenen Produkten. Das Einsetzen der Akkus in nicht konforme Produkte kann zu einem Brand, übermäßiger Hitzebildung, einer Explosion oder Auslaufen von Elektrolyt führen.
13. Soll das Werkzeug längere Zeit nicht benutzt werden, muss der Akku vom Werkzeug entfernt werden.
14. Bei und nach dem Gebrauch kann der Akku heiß werden, was Verbrennungen oder Niedertemperaturverbrennungen verursachen kann. Beachten Sie die Handhabung von heißen Akkus.
15. Berühren Sie nicht den Anschlusskontakt des Werkzeugs unmittelbar nach dem Gebrauch, da er

heiß genug werden kann, um Verbrennungen zu verursachen.

16. Achten Sie darauf, dass sich keine Späne, Staub oder Schmutz in den Anschlusskontakten, Löchern und Nuten des Akkus absetzen. Es könnte sonst zu Erhitzung, Brandauslösung, Bersten und Funktionsstörungen des Werkzeugs oder des Akkus kommen, was zu Verbrennungen oder Personenschäden führen kann.
17. Wenn das Werkzeug den Einsatz in der Nähe einer Hochspannungs-Stromleitung nicht unterstützt, benutzen Sie den Akku nicht in der Nähe einer Hochspannungs-Stromleitung. Dies kann zu einer Funktionsstörung oder Betriebsstörung des Werkzeugs oder des Akkus führen.
18. Halten Sie die Batterie von Kindern fern.

DIESE ANWEISUNGEN AUFBEWAHREN.

⚠ ACHTUNG: Verwenden Sie nur **Original-Makita-Akkus**. Die Verwendung von Nicht-Original-Makita-Akkus oder von Akkus, die abgeändert worden sind, kann zum Bersten des Akkus und daraus resultierenden Bränden, Personenschäden und Beschädigung führen. Außerdem wird dadurch die Makita-Garantie für das Makita-Werkzeug und -Ladegerät ungültig.

Hinweise zur Aufrechterhaltung der maximalen Akku-Nutzungsdauer

1. Laden Sie den Akku, bevor er vollkommen erschöpft ist. Schalten Sie das Werkzeug stets aus, und laden Sie den Akku, wenn Sie ein Nachlassen der Werkzeuleistung feststellen.
2. Unterlassen Sie erneutes Laden eines voll aufgeladenen Akkus. Überladen führt zu einer Verkürzung der Nutzungsdauer des Akkus.
3. Laden Sie den Akku bei Raumtemperatur zwischen 10 – 40 °C. Lassen Sie einen heißen Akku abkühlen, bevor Sie ihn laden.
4. Wenn Sie den Akku nicht benutzen, nehmen Sie ihn vom Werkzeug oder Ladegerät ab.
5. Der Akku muss geladen werden, wenn er lange Zeit (länger als sechs Monate) nicht benutzt wird.

FUNKTIONSBESCHREIBUNG

Verwendung mit Netzspannung:

⚠ WARNUNG:

- Vergewissern Sie sich vor dem Anschließen des Absauggeräts an die Stromversorgung stets, dass das Absauggerät ausgeschaltet ist. Beim Anschließen eines eingeschalteten Absauggeräts startet das Absauggerät möglicherweise unerwartet, wodurch es zu schweren Verletzungen kommen kann. Schließen Sie den Netzstecker an eine Stromversorgung an. (Abb. 1)

Die Netz-Betriebsanzeige leuchtet auf, wenn der Stand-by-Schalter in Stellung „I“ geschaltet wird. (Abb. 2)

HINWEIS:

- Selbst wenn das Werkzeug mit Akku betrieben wird, schaltet es automatisch in den Netzbetrieb, wenn der Netzstecker eingesteckt wird.
- Wenn der Netzstecker des Werkzeugs im Betrieb bei eingesetzten Akkus gezogen wird, schaltet das Absauggerät in den Stand-by-Status.

Verwendung mit Akkus:

Einsetzen und Abnehmen des Akkublocks

⚠ ACHTUNG:

- Schalten Sie das Absauggerät stets aus, ziehen Sie den Netzstecker und nehmen Sie den Akkublock aus dem Gerät, bevor Sie Einstellungen oder Funktionsprüfungen am Werkzeug vornehmen.
- **Halten Sie das Absauggerät und den Akkublock gut fest, wenn Sie den Akkublock einsetzen oder abnehmen.** Andernfalls könnte Ihnen das Absauggerät oder der Akkublock aus den Händen fallen, sodass das Absauggerät oder der Akkublock beschädigt werden oder diese Verletzungen verursachen.
- **Achten Sie beim Schließen der Akkuabdeckung darauf, dass Sie sich nicht die Finger einklemmen.** Andernfalls kann es zu Verletzungen kommen.

Um den Akkublock einsetzen zu können, müssen Sie zunächst die Verriegelung lösen und die Akkuabdeckung öffnen. Setzen Sie dann den Akkublock ein. **(Abb. 3)** Richten Sie die Akkublockzunge an der inneren Gehäusenut aus und schieben Sie den Akkublock in Position. Setzen Sie den Akkublock ganz ein, bis er mit einem leisen Klick hörbar einrastet. Schließen Sie danach die Akkuabdeckung. **(Abb. 4)** Zum Abnehmen des Akkublocks müssen Sie die Taste auf der Vorderseite des Akkublocks schieben und gleichzeitig den Akkublock aus dem Gerät herausziehen.

HINWEIS:

- Ziehen Sie vor einem Akkubetrieb des Absauggeräts das Verlängerungskabel.

⚠ ACHTUNG:

- Setzen Sie den Akkublock immer vollständig ein. Andernfalls kann der Akkublock versehentlich aus dem Gerät fallen und Sie oder umstehende Personen verletzen.
- Wenden Sie beim Einsetzen des Akkublocks keine Gewalt an. Wenn der Akkublock nicht leicht hineingleitet, haben Sie ihn nicht richtig angesetzt.

HINWEIS:

- Das Absauggerät funktioniert nicht mit nur einem Akkublock.

Werkzeug-/Akku-Schutzsystem


Das Werkzeug ist mit einem Werkzeug-/Akku-Schutzsystem ausgestattet. Dieses System schaltet die Stromversorgung des Motors automatisch aus, um die Lebensdauer des Werkzeugs und des Akkus zu verlängern.

Unter folgenden Bedingungen des Werkzeugs und/oder des Akkus kann das Werkzeug während des Betriebs automatisch stoppen. Unter einigen dieser Bedingungen leuchten die Anzeileuchten auf.

Überlastungsschutz

Wenn es zu einer Überlastung des Werkzeugs kommt, stoppt das Werkzeug automatisch. Schalten Sie in dieser Situation das Werkzeug aus und beenden Sie die Arbeiten, die zu der Überlastung des Werkzeugs geführt haben. Schalten Sie dann das Werkzeug zum erneuten Starten wieder ein.

Überhitzungsschutz für das Werkzeug

<input type="checkbox"/> : Ein	<input type="checkbox"/> : Blink
	

015485

Ist das Werkzeug überhitzt, stoppt das Werkzeug automatisch und die Akkuanzeigen blinken ca. 60 Sekunden lang auf. Lassen Sie in dieser Situation das Werkzeug erst abkühlen, bevor Sie es wieder einschalten.





Tiefentladungsschutz

Bei einer zu geringen Akkuladung stoppt das Werkzeug automatisch. Wenn das Werkzeug selbst bei Drücken der Bedienschalter nicht anspricht, müssen Sie die Akkus aus dem Werkzeug entfernen und aufladen.

Anzeige der verbleibenden Akkuladung (Abb. 5 und 6)

Drücken Sie die Akkuprüftaste, damit die Akkuanzeigen die Höhe der verbleibenden Akkuladung anzeigen. Die Akkuanzeigen beziehen sich auf den jeweiligen Akku.

Anzeige der verbleibenden Akkuladung

Status der Akkuanzeige			Verbleibende Akkuladung
<input type="checkbox"/> : Ein	<input type="checkbox"/> : Aus	<input type="checkbox"/> : Blink	
			50 % - 100 %
			20% - 50%
			0% - 20%
			Akkublock aufladen

015527

Anzeige der verbleibenden Akkuladung Nur für Akkublöcke mit der Anzeige (Abb. 7)

Drücken Sie zum Anzeigen der Restladung des Akkus die Akkuprüftaste. Die Anzeigenlampen leuchten dann wenige Sekunden lang auf.

Anzeigelampen			Verbleibende Akkuladung
Leuchtet	Aus	Blinkt	
			75% bis 100%
			50% bis 75%
			25% bis 50%
			0% bis 25%
			Laden Sie den Akku auf.
			Möglicherweise liegt ein Defekt des Akkus vor.

015658

HINWEIS:

- In Abhängigkeit von den Bedingungen bei Gebrauch und von der Umgebungstemperatur kann der angezeigte Ladezustand geringfügig vom tatsächlichen Ladezustand abweichen.

Ein- und Ausschalten (Abb. 8)

Zum Starten des Absauggeräts:

- Bringen Sie den Stand-by-Schalter in die Stellung „I“. Das Absauggerät schaltet in den Stand-by-Status.
 - Drücken Sie den Einschalter.
- Drücken Sie den Einschalter erneut, um das Absauggerät in den Stand-by-Modus zu schalten. Bringen Sie den Stand-by-Schalter in die Stellung „O“, um das Absauggerät auszuschalten.

Die Saugkraft kann entsprechend der notwendigen Reinigungsarbeiten eingestellt werden. Durch Drehen des Einstellknopfs für die Saugkraft von Symbol in Richtung Symbol wird die Saugkraft erhöht.

HINWEIS:

- Bringen Sie den Stand-by-Schalter stets in Stellung „O“, wenn Sie das Absauggerät längere Zeit nicht benutzen. Das Absauggerät verbraucht im Stand-by-Status Strom.

Automatische Saugabschaltung im Nassaugbetrieb (für Modelle mit Tuchfilter)

WARNUNG:

- Verwenden Sie das Absauggerät nicht über längere Zeit, wenn der Schwimmer ausgelöst hat. Bei Verwendung des Absauggeräts bei ausgelöstem Schwimmer kann es zu einer Überhitzung und dadurch zu Deformationen des Absauggeräts kommen.
- Saugen Sie keinen Schaum und keine mit schaumbildenden Mitteln versetzten Flüssigkeiten auf. Beim Aufsaugen von Schaum oder von mit schaumbildenden Mitteln versetzten Flüssigkeiten

kann Schaum aus dem Luftaustritt austreten, bevor der Schwimmer auslöst. Bei weiterem Betrieb in dieser Situation kann es zu einem Stromschlag oder zu einer Beschädigung des Absauggeräts kommen.

Die automatische Saugabschaltung funktioniert nur in Verbindung mit Schwimmer und Schwimmerkorb. Das Absauggerät verfügt über einen Schwimmermechanismus, der das Eindringen von Wasser in den Motor verhindert, nachdem bereits eine bestimmte Menge an Wasser aufgenommen wurde. Wenn der Behälter voll ist und das Absauggerät kein weiteres Wasser mehr aufnimmt, schalten Sie das Absauggerät aus und leeren Sie den Behälter.

Verriegeln und Entriegeln der Rolle (Abb. 9)

Zum Verriegeln der Rolle mit Stopper bringen Sie den Stopperhebel in die untere Position: die Rolle dreht sich nicht mehr. Zum Entriegeln der Rolle bringen Sie den Stopperhebel wieder in die obere Position. Das Verriegeln der Rolle macht insbesondere beim Abstellen des Absauggeräts nach Gebrauch, beim Unterbrechen der Arbeiten und dann, wenn sich das Absauggerät nicht bewegen soll, Sinn. Betätigen Sie den Stopper von Hand.

HINWEIS:

- Achten Sie darauf, dass die Rolle entriegelt ist, wenn Sie das Absauggerät bewegen möchten. Bei Bewegungen des Absauggeräts mit verriegelter Rolle kann die Rolle beschädigt werden.

Tragegriff (Abb. 10)

Wenn Sie das Absauggerät tragen müssen, fassen Sie es am Tragegriff an der Haube an. Bei Nichtverwendung kann der Griff in die Haube eingeklappt werden.

BESCHREIBUNG DER TEILE

Modell DVC860L

(Modell mit Tuchfilter (für trockenen und feuchten Staub)) (Abb. 11)

Modell DVC861L

(Modell mit Staubfilter (für trockenen Staub)) (Abb. 12)

MONTAGE

ACHTUNG:

- Schalten Sie das Absauggerät stets aus, ziehen Sie den Netzstecker und entfernen Sie den Akkublock, bevor Sie Arbeiten am Absauggerät ausführen.
- Tragen Sie bei Montage und Wartung stets eine Staubmaske.

Einbau des Staubfilters (HEPA) und des Vorfilters (für trockenen Staub) (Abb. 13 und 14)

Sonderzubehör für Modell mit Tuchfilter

ACHTUNG:

- Saugen Sie bei Gebrauch des Staubfilters niemals Wasser oder sonstige Flüssigkeiten oder feuchten

Staub auf. Beim Aufsaugen derartiger Stoffe kann der Staubfilter beschädigt werden.

Um den Staubfilter verwenden zu können, müssen Schwimmerkorb und Schwimmer entnommen werden, indem die Schrauben entfernt werden.

Setzen Sie den Vorfilter in den Behälter ein.

Setzen Sie anschließend den Feuchtefilter auf den Staubfilter auf und anschließend beide in den Vorfilter ein.

Achten Sie beim Einsetzen von Staubfilter und Vorfilter darauf, dass die Markierungen der Befestigungsposition der Filter an der Markierung auf der Oberseite des Behälters ausgerichtet sind.

Bringen Sie zum Abschluss den Behälterdeckel an und verriegeln Sie ihn.

HINWEIS:

- Stellen Sie vor dem Einsetzen des Staubfilters sicher, dass sowohl der Vorfilter als auch der Feuchtefilter eingesetzt wurden. Das Verwenden des Staubfilters ohne Vorfilter und Feuchtefilter ist nicht zulässig.

Einsetzen des Wasserfilters (für Modell mit Tuchfilter) (Sonderzubehör)

⚠ ACHTUNG:

- Nehmen Sie nie Wasser oder feuchten Staub ohne Schwimmer und Tuchfilter oder Wasserfilter auf.
- Wenn Sie feuchten Staub aufnehmen möchten, stellen Sie sicher, dass im Absauggerät Schwimmerkorb und Schwimmer eingesetzt sind.
- Setzen Sie den Wasserfilter straff so auf den Rand des Behälters auf, dass der Haken des Wasserfilters sicher auf dem Rand des Behälters einhakt und dass kein Freiraum zwischen Wasserfilter und Behälter besteht.

HINWEIS:

- Für das wiederholte Aufsaugen von größeren Wassermengen wird der Einsatz eines Wasserfilters empfohlen, da im Falle eines Tuchfilters die Saugfähigkeit beeinträchtigt werden kann.

Um nur Wasser oder feuchten Staub aufzunehmen, ist der Wasserfilter besser geeignet als der Tuchfilter.

Achten Sie beim Einsetzen des Wasserfilters darauf, dass die Markierung der Befestigungsposition an der des Behälters ausgerichtet ist. (**Abb. 15**)

Einsetzen der Papiertüte (Sonderzubehör)

⚠ WARNUNG:

- Bei Verwendung der Papiertüte müssen auch die werkseitig bereits in das Gerät eingebauten Tuchfilter oder Vorfilter verwendet werden. Ohne Tuchfilter/Vorfilter kommt es zu unnötiger Geräusentwicklung, und es kann zu einer Überhitzung des Geräts mit einem Brand als Folge kommen.

⚠ ACHTUNG:

(Für Modelle mit Tuchfilter)

- Saugen Sie bei Gebrauch von Papiertüten niemals Wasser oder sonstige Flüssigkeiten oder feuchten Staub auf. Beim Aufsaugen derartiger Stoffe können Papiertüten reißen.
- Stellen Sie vor dem Einsetzen einer Papiertüte sicher, dass sowohl der Staubfilter (Sonderzubehör) und der Feuchtefilter (Sonderzubehör) als auch der Vorfilter eingesetzt wurden.

(Für Modelle mit Staubfilter)

- Stellen Sie vor dem Einsetzen einer Papiertüte sicher, dass sowohl der Vorfilter und der Feuchtefilter als auch der Staubfilter eingesetzt wurden.
 1. Nehmen Sie den Gummihalter ab. (**Abb. 16**)
 2. Falten Sie die Papiertüte auseinander.
 3. Richten Sie die Öffnung der Papiertüte mit der Staubansaugöffnung des Absauggeräts aus.
 4. Setzen Sie die Pappe der Papiertüte so in den Halter des Absauggeräts ein, dass sie sich am Ende hinter der Arretierungsnase befindet. (**Abb. 17**)

Einsetzen des Polyethylenbeutels

Das Absauggerät kann auch ohne Polyethylenbeutel verwendet werden. Bei Verwendung eines

Polyethylenbeutels kann der Behälter jedoch einfacher geleert werden, ohne sich die Hände zu verschmutzen.

Falten Sie den Polyethylenbeutel im Behälter auseinander. Setzen Sie den Beutel zwischen Halteplatte und Behälter ein, und ziehen Sie den Beutel zum Schlauchanschluss.

Ziehen Sie den Beutel über die Oberkante des Behälters, damit die Kante des Vorfilters greift und den Beutel sicher in seiner Position arretieren kann. (**Abb. 18**)

HINWEIS:

- Es können handelsübliche Polyethylenbeutel verwendet werden. Es wird empfohlen, Beutel mit einer Dicke von mindestens 0,04 mm zu verwenden.
- Bei einer zu großen Staubmenge reißen die Beutel leicht auf, sammeln Sie daher in einem Beutel nicht mehr als die Hälfte des Beutelvolumens an Staub.

Leeren des Polyethylenbeutels

⚠ WARNUNG:

- Stellen Sie vor dem Entnehmen des Polyethylenbeutels unbedingt sicher, dass das Absauggerät ausgeschaltet und vom Stromnetz getrennt ist. Anderenfalls kann es zu einem Stromschlag und zu schweren Verletzungen kommen.

⚠ ACHTUNG:

- Wenden Sie bei Schwimmerkorb und Behälter nicht allzu viel Kraft an. Wird zu viel Kraft aufgewendet, können die Teile deformiert und beschädigt werden.
- Leeren Sie den Behälter mindestens einmal täglich; dies ist jedoch vom in den Behälter gesaugten Staubvolumen abhängig. Anderenfalls sinkt die Saugkraft, wodurch der Motor beschädigt werden kann.
- Reißen Sie beim Leeren des Behälters nicht am Haken. Anderenfalls kann der Haken beschädigt werden.

Entriegeln Sie den Behälterdeckel, und heben Sie den Behälterdeckel ab.

Schütteln Sie den Staub von Tuchfilter/Staubfilter und nehmen Sie anschließend den Polyethylenbeutel aus dem Behälter. (**Abb. 19**)

HINWEIS:

- Nehmen Sie den Polyethylenbeutel vorsichtig aus dem Behälter, damit sich der Beutel nicht an Bauteilen im Inneren des Behälters verfängt und aufreißt.
- Leeren Sie den Polyethylenbeutel, bevor der Beutel zu voll ist. Ein zu stark gefüllter Beutel kann zerreißen.

Anbringen des Werkzeughalters

1. Lösen Sie die Verriegelung der Akkuabdeckung, und öffnen Sie dann die Akkuabdeckung.
2. Schieben Sie die Schienen am Werkzeughalter in die Nuten im Gehäuse. (**Abb. 20**)
3. Schließen Sie die Akkuabdeckung und betätigen Sie die Verriegelung.

Der Werkzeughalter eignet sich zum bequemen Tragen von Akkus, Verlängerungskabel, Rohren oder Aufsätzen. (**Abb. 21**)

Anschließen des Schlauchs

ACHTUNG:

- Biegen Sie den Saugschlauch niemals gewaltsam, und drücken Sie den Saugschlauch niemals gewaltsam zusammen. Bewegen Sie das Absauggerät niemals durch Ziehen am Saugschlauch. Durch gewaltsames Biegen oder Zusammendrücken des Saugschlauchs und durch Ziehen am Saugschlauch kann der Saugschlauch beschädigt oder deformiert werden.
- Verwenden Sie zum Aufsaugen großer Abfallstücke wie beispielsweise Hobelspäne, Betonbrocken o. ä. den Schlauch mit dem Innendurchmesser von 38 mm (Sonderzubehör). Bei Verwendung des Schlauchs mit Innendurchmesser 28 mm (Sonderzubehör) kann es zum Verstopfen und zu Beschädigungen des Schlauchs kommen.

Setzen Sie den Saugschlauch auf den Schlauchanschluss des Behälters auf, und drehen Sie den Saugschlauch im Uhrzeigersinn, bis der Saugschlauch einrastet. (**Abb. 22**)

WARTUNG

ACHTUNG:

- Schalten Sie das Gerät stets aus, ziehen Sie den Netzstecker und entfernen Sie den Akkublock, bevor Sie Inspektionen oder Wartungsarbeiten am Gerät vornehmen.

Aufbewahren des Netzkabels (Abb. 23)

Sie können das Netzkabel um den Werkzeughalter wickeln.

Aufbewahren der Zubehörteile (Abb. 24)

Die Rohre können auch in den Rohrhalter eingesetzt werden, wenn das Absauggerät kurzzeitig nicht genutzt wird. (**Abb. 25**)

Der Saugschlauch kann zur Aufbewahrung um den Werkzeughalter gewickelt und mit beiden Enden verbunden werden. (**Abb. 26**)

Reinigung

ACHTUNG:

- Verwenden Sie zum Reinigen niemals Kraftstoffe, Benzin, Verdünner, Alkohol oder ähnliches. Dies kann zu Verfärbungen, Verformungen oder Rissen führen.

Reinigung des Tuchfilters

Nur für das Modell mit Tuchfilter

Ein verstopfter Tuchfilter führt zu einer ungenügenden Saugleistung.

Reinigen Sie den Tuchfilter von Zeit zu Zeit.

Um Staub oder am Tuchfilter anhaftende Partikel zu entfernen, schütteln Sie den Rahmenboden mehrmals kräftig. (**Abb. 27**)

Reinigen des Staubfilters (HEPA) und des Vorfilters

Nur für das Modell mit Staubfilter

Bei Verstopfung von Staubfilter, Vorfilter und Feuchtefilter kann die Saugleistung stark sinken.

Reinigen Sie Filter von Zeit zu Zeit.

Um Staub oder an den Filtern anhaftende Partikel zu entfernen, schütteln Sie den Rahmenboden mehrmals kräftig.

Waschen Sie den Staubfilter gelegentlich in Wasser aus, spülen Sie den Filter dazu mit klarem Wasser, und lassen Sie den Filter an einem schattigen Ort gründlich trocknen. Waschen Sie Filter niemals in einer Waschmaschine.

(**Abb. 28**)

HINWEIS:

- Reiben oder kratzen Sie den Staubfilter, den Vorfilter und den Feuchtefilter niemals mit harten Gegenständen wie beispielsweise Bürsten oder Kratzern.
- Die Filter nutzen sich im Lauf der Zeit ab. Es wird empfohlen, ein paar Ersatzfilter zu bevorraten.

Zur Gewährleistung von SICHERHEIT und ZUVERLÄSSIGKEIT des Produkts dürfen Reparaturen, Wartungsarbeiten und Einstellungen nur durch von Makita autorisierte Servicecenter durchgeführt und ausschließlich Makita-Ersatzteile verwendet werden.

SONDERZUBEHÖR

ACHTUNG:

- Für das in diesem Handbuch beschriebene Makita-Gerät werden die folgenden Zubehör- und Zusatzteile empfohlen. Bei Verwendung anderer Zubehör- und Zusatzteile kann es zu Verletzungen kommen. Verwenden Sie Zubehör- und Zusatzteile nur für den vorgesehenen Zweck.

Informationen zu diesem Zubehör erhalten Sie von Ihrem Makita-Servicecenter.

- Original-Akku und Original-Ladegerät von Makita
- Saugschlauch
- Schlauchaufsätze (22, 24, 38)
- Gerades Rohr
- Eckdüse
- Rundbürste
- Staubfilter, HEPA (für trockenen Staub)
- Feuchtefilter
- Vorfilter
- Düsensatz
- Gekrümmtes Rohr
- Polyethylenbeutel
- Wasserfilter (optional für Modelle mit Tuchfilter)
- Papiertüte
- Halterset

HINWEIS:

- Einige der in der Liste aufgeführten Elemente sind dem Werkzeugpaket als Standardzubehör beigelegt. Diese

können in den einzelnen Ländern voneinander abweichen.

Schallpegel

ENG905-1

Typischer A-bewerteter Schallpegel nach IEC60335-2-69:

Schalldruckpegel (L_{pA}): 75 dB (A)

Abweichung (K): 2,5 dB (A)

Unter Arbeitsbedingungen kann der Schallpegel 80 dB (A) überschreiten.

ENG907-1

- Der (Die) angegebene(n) Schallemissionswert(e) wurde(n) im Einklang mit der Standardprüfmethode gemessen und kann (können) für den Vergleich zwischen Werkzeugen herangezogen werden.
- Der (Die) angegebene(n) Schallemissionswert(e) kann (können) auch für eine Vorbewertung des Gefährungsgrads verwendet werden.

WARNUNG:

- **Einen Gehörschutz tragen.**
- **Die Schallemission während der tatsächlichen Benutzung des Elektrowerkzeugs kann je nach der Benutzungsweise des Werkzeugs, und speziell je nach der Art des bearbeiteten Werkstücks, von dem (den) angegebenen Wert(en) abweichen.**
- **Identifizieren Sie Sicherheitsmaßnahmen zum Schutz des Benutzers anhand einer Schätzung des Gefährungsgrads unter den tatsächlichen Benutzungsbedingungen (unter Berücksichtigung aller Phasen des Arbeitszyklus, wie z. B. Ausschalt- und Leerlaufzeiten des Werkzeugs zusätzlich zur Betriebszeit).**

Schwingung

ENG900-1

Schwingungsgesamtwerte (Vektorsumme dreier Achsen) nach IEC 60335-2-69:

Schwingungsemissionswert (a_n): 2,5 m/s² oder weniger

Abweichung (K): 1,5 m/s²

ENG901-2

- Der (Die) angegebene(n) Vibrationsgesamtwert(e) wurde(n) im Einklang mit der Standardprüfmethode gemessen und kann (können) für den Vergleich zwischen Werkzeugen herangezogen werden.
- Der (Die) angegebene(n) Vibrationsgesamtwert(e) kann (können) auch für eine Vorbewertung des Gefährungsgrads verwendet werden.

WARNUNG:

- **Die Vibrationsemission während der tatsächlichen Benutzung des Elektrowerkzeugs kann je nach der Benutzungsweise des Werkzeugs, und speziell je nach der Art des bearbeiteten Werkstücks, von dem (den) angegebenen Emissionswert(en) abweichen.**
- **Identifizieren Sie Sicherheitsmaßnahmen zum Schutz des Benutzers anhand einer Schätzung des Gefährungsgrads unter den tatsächlichen Benutzungsbedingungen (unter Berücksichtigung aller Phasen des Arbeitszyklus, wie z. B. Ausschalt- und Leerlaufzeiten des Werkzeugs zusätzlich zur Betriebszeit).**

EG-Konformitätserklärung

Nur für europäische Länder

Die EG-Konformitätserklärung ist als Anhang A in dieser Bedienungsanleitung enthalten.

ITALIANO (Istruzioni originali)

AVVERTENZA

- La presente macchina non è destinata all'utilizzo da parte di persone, inclusi i bambini, dalle capacità fisiche, sensoriali o mentali ridotte, o prive di esperienza e preparazione.
- I bambini vanno tenuti sotto controllo per accertarsi che non giochino con l'aspiratore.
- Qualora il cavo di alimentazione sia danneggiato, deve essere sostituito da una struttura di assistenza autorizzata.
- Per il riferimento sul tipo di batteria, vedere il capitolo "DATI TECNICI".
- Per istruzioni su come rimuovere o installare la batteria, vedere la sezione "Installazione o rimozione della cartuccia della batteria".
- Quando si intende smaltire la cartuccia della batteria, rimuoverla dall'utensile e smaltirla in un luogo sicuro. Attenersi alle normative locali relative allo smaltimento della batteria.
- Se l'utensile non viene utilizzato per un periodo di tempo prolungato, la batteria deve essere rimossa dall'utensile.
- Non cortocircuitare la cartuccia della batteria.
- Per i dettagli appropriati relativi alle precauzioni durante la manutenzione da parte dell'utente, vedere il capitolo "MANUTENZIONE".

Spiegazione della vista generale

- | | | |
|--|-------------------------------|---|
| 1. Spina (la forma e la lunghezza del cavo variano in base al paese) | 11. Ruota orientabile | 23. Indicatore della posizione di montaggio |
| 2. Indicatore di alimentazione CA | 12. Leva di fermo | 24. Filtro dell'acqua |
| 3. Blocco | 13. Posizione LIBERA | 25. Supporto in gomma |
| 4. Coperchio della batteria | 14. Posizione BLOCCATA | 26. Sacchetto in carta |
| 5. Batteria | 15. Coperchio del serbatoio | 27. Supporto |
| 6. Pulsante di controllo | 16. Galleggiante | 28. Piastra del supporto |
| 7. Spie luminose | 17. Gabbia del galleggiante | 29. Sacchetto in polietilene |
| 8. Interruttore di standby | 18. Filtro in tessuto | |
| 9. Pulsante di accensione | 19. Serbatoio | |
| 10. Manopola di regolazione della potenza aspirante | 20. Filtro antipolvere (HEPA) | |
| | 21. Valvola di tiraggio | |
| | 22. Prefiltro | |

SPECIFICHE

Modello		DVC860L	DVC861L
Tipo di filtro standard		Filtro in tessuto (per polveri asciutte e umide)	Filtro antipolvere (per polveri asciutte)
Flusso volumetrico (aria)	Funzionamento CC (con BL1830, tubo flessibile ø38 mm × 2,5 m)	2,1 m³/min	
	Funzionamento CA (con tubo flessibile ø38 mm × 2,5 m)	3,6 m³/min	
Pressione di vuoto	Funzionamento CC (con BL1830, tubo flessibile ø38 mm × 2,5 m)	90 hPa	
	Funzionamento CA (con tubo flessibile ø38 mm × 2,5 m)	240 hPa	
Capacità di recupero	Polvere	8 l	
	Acqua	6 l	–
Dimensioni (Lu × La × Al)		366 mm × 334 mm × 368 mm	
Valori nominali con il funzionamento CA		Dipendono dalla nazione. Fare riferimento alla targhetta dei dati identificativi.	
Tensione nominale (funzionamento a batteria)		36 V CC	
Peso netto		8,6 - 9,2 kg	9,3 - 9,9 kg
Grado di protezione		IPX4	
Classe di sicurezza		□/II	

- Le caratteristiche tecniche riportate di seguito sono soggette a modifiche senza preavviso in virtù del nostro programma continuo di ricerca e sviluppo.
- I dati tecnici e la cartuccia della batteria potrebbero differire da nazione a nazione.

- Il peso non comprende gli accessori ma comprende la cartuccia della batteria o le cartucce delle batterie. Nella tabella sono indicati il peso combinato minimo e massimo dell'apparecchio insieme alla cartuccia della batteria o alle cartucce delle batterie.
- Per le polveri umide sono richiesti il galleggiante e il filtro dell'acqua o il filtro in tessuto.

Batteria e caricabatteria applicabili

Batteria	BL 1815N/BL1820B/BL1830B/BL1840B/BL1850B/BL1860B
Caricatore	DC18RC/DC18RD/DC18RE/DC18SD/DC18SE/DC18SF/DC18SH



- Alcune delle batterie e dei caricabatterie elencati sopra potrebbero non essere disponibili a seconda della vostra regione di residenza.


⚠ ATTENZIONE:


- **Utilizzare solo le batterie e i caricabatterie elencati sopra.** L'uso di batterie e caricabatterie diversi può far sorgere il rischio di infortuni e/o incendi.


Simboli END118-1


Le figure seguenti mostrano i simboli utilizzati per l'apparecchio. Accertarsi di comprenderne il significato prima dell'uso.

  Leggere il manuale di istruzioni.

 Prestare particolare cura e attenzione.


 Avvertenza! L'aspiratore può contenere polveri pericolose.

 Non salire mai sull'aspiratore.

 Classe di polveri L (leggere). Gli aspiratori sono in grado di raccogliere polveri di classe L.

Attenersi alle normative del proprio paese in materia di polveri e di sicurezza e salute sul lavoro.

 ISOLAMENTO DOPPIO

 Ni-MH
Li-Ion Solo per le nazioni dell'EU

A causa della presenza di componenti pericolosi nelle apparecchiature, i rifiuti di apparecchiature elettriche ed elettroniche, accumulatori e batterie potrebbero produrre un impatto negativo sull'ambiente e sulla salute umana.

Non smaltire elettrodomestici elettrici ed elettronici o batterie insieme ai rifiuti domestici!

In conformità alla direttiva europea sui rifiuti di apparecchiature elettriche ed elettroniche (RAEE), sugli accumulatori e le batterie, nonché sui rifiuti di accumulatori e batterie, e al suo adattamento alle normative nazionali, i rifiuti di apparecchiature elettriche ed elettroniche, batterie e accumulatori vanno conservati separatamente e conferiti a un punto di raccolta separato per i rifiuti comunali, operando in

conformità alle normative per la protezione dell'ambiente.

Tale requisito viene indicato mediante il simbolo del bidone della spazzatura con ruote barrato apposto sull'apparecchio.

Uso previsto

ENE084-1

L'utensile è idoneo all'utilizzo commerciale, ad esempio in hotel, scuole, ospedali, fabbriche, negozi, uffici e noleggi.

DVC860L

Questo utensile è destinato alla raccolta sia di polveri umide che di polveri secche.

DVC861L

Questo utensile è destinato esclusivamente alla raccolta di polveri asciutte.

Alimentazione

ENF002-2

L'utensile deve essere collegato a una presa di corrente con la stessa tensione di quella indicata sulla targhetta e può funzionare soltanto con corrente alternata monofase. L'utensile è dotato di doppio isolamento, pertanto può essere usato anche con prese di corrente sprovviste della messa a terra.

Avvertenze di sicurezza relativa all'aspirapolvere a filo e a batteria

ENB124-5

⚠ AVVERTENZA: IMPORTANTE! LEGGERE CON ATTENZIONE tutte le avvertenze di sicurezza e tutte le istruzioni PRIMA DELL'USO. La mancata osservanza delle avvertenze e delle istruzioni potrebbe risultare in scosse elettriche, incendi e/o gravi lesioni personali.

1. **Prima dell'uso, accertarsi che il presente aspiratore venga utilizzato esclusivamente da personale che sia stato istruito in modo adeguato sull'utilizzo del presente aspiratore.**
2. **Prima dell'uso, è necessario fornire agli operatori informazioni, istruzioni e addestramento sull'utilizzo della macchina e delle sostanze per le quali deve essere utilizzata, incluso il metodo sicuro di rimozione e smaltimento dei materiali raccolti.**
3. **In caso di fuoriuscita di schiuma/liquido, spegnere immediatamente l'apparecchio.**

4. Pulire a intervalli regolari il dispositivo di limitazione del livello dell'acqua e ispezionarlo alla ricerca di segni di danneggiamento.
5. Non utilizzare l'aspiratore senza il filtro. Sostituire immediatamente un filtro danneggiato.
6. **USO DEL CAVO DI PROLUNGA.** Quando si intende utilizzare un cavo di prolunga a causa di una notevole distanza dalla fonte di alimentazione, provare a utilizzare un cavo dello spessore sufficiente, ma di lunghezza non eccessiva; in caso contrario, le prestazioni dell'aspiratore subiranno un impatto negativo. Per applicazioni all'aperto, utilizzare un cavo di prolunga idoneo per l'utilizzo all'aperto.
7. **AVVERTENZA RELATIVA AL VOLTAGGIO:** Prima di collegare l'aspiratore a una fonte di alimentazione (presa elettrica multipla o singola, e così via), accertarsi che il voltaggio erogato coincida con quello specificato sulla targhetta dei dati identificativi dell'aspiratore. Una fonte di alimentazione con un voltaggio superiore a quello specificato per l'aspiratore può risultare in **GRAVI LESIONI PERSONALI** all'operatore, nonché in danni all'aspiratore. In caso di dubbi, **NON COLLEGARE L'ASPIRATORE ALLA PRESA ELETTRICA.** L'utilizzo di una fonte di alimentazione con un voltaggio inferiore a quello nominale indicato sulla targhetta dei dati identificativi è dannoso per il motore.
8. **EVITARE L'AVVIO ACCIDENTALE.** Accertarsi che l'interruttore sia in posizione OFF (spento) durante il collegamento all'alimentazione elettrica.
9. Non tentare di raccogliere materiali infiammabili, fuochi d'artificio, sigarette accese, ceneri calde, schegge di metallo roventi, materiali affilati quali rasoi, aghi, vetri rotti o simili.
10. **NON UTILIZZARE MAI L'ASPIRATORE IN PROSSIMITÀ DI BENZINA, GAS, VERNICI, ADESIVI O ALTRE SOSTANZE ALTAMENTE ESPLOSIVE.** L'interruttore emette delle scintille quando viene attivato e disattivato. Anche il commutatore del motore emette scintille durante l'uso. Di conseguenza, potrebbe verificarsi un'esplosione pericolosa.
11. Non aspirare mai materiali tossici, cancerogeni, combustibili o altri materiali pericolosi quali amianto, arsenico, bario, berillio, piombo, pesticidi o altri materiali nocivi.
12. Collocare sempre l'aspiratore su una superficie piana orizzontale, per evitarne la caduta o lo spostamento accidentali.
13. Non utilizzare mai l'aspiratore all'aperto sotto la pioggia.
14. Per la Finlandia, questa macchina non va utilizzata all'aperto a basse temperature.
15. Non utilizzare in prossimità di fonti di calore (cucine, e così via).
16. Qualora l'aria di scarico ritorni nella stanza, è necessario provvedere al ricambio dell'aria nella stanza con una frequenza adeguata. Se necessario, fare riferimento alle normative nazionali.
17. **PROTEZIONE DALLE SCOSSE ELETTRICHE.** Evitare il contatto del corpo con superfici collegate a terra. Ad esempio, tubi metallici, radiatori, cucine, celle frigorifere.
18. Non ostruire le feritoie di ventilazione. Tali feritoie consentono il raffreddamento del motore. Le ostruzioni vanno evitate con cura; in caso contrario, il motore si brucia a causa della mancanza di ventilazione.
19. Mantenere sempre un corretto appoggio sui piedi e l'equilibrio.
20. **NON SOTTOPORRE IL CAVO A USI IMPROPRI.** Non trasportare mai l'aspiratore tenendolo per il cavo, né tirare quest'ultimo per scollegarlo dalla presa elettrica. Tenere il cavo lontano da calore, olio e bordi affilati. Ispezionare a intervalli regolari i cavi dell'aspiratore, e qualora siano danneggiati, farli riparare da un centro di assistenza autorizzato. Ispezionare a intervalli regolari i cavi di prolunga e sostituirli, se danneggiati.
21. Non piegare, tirare o calpestare il tubo flessibile.
22. Arrestare immediatamente l'aspiratore qualora si notino prestazioni scadenti o qualsiasi anomalia durante l'uso.
23. **SCOLLEGARE L'ASPIRATORE.** quando non si utilizza l'apparecchio, prima di interventi di assistenza e quando si intende sostituire gli accessori.
24. Pulire e sottoporre a manutenzione l'aspiratore subito dopo ciascun utilizzo per mantenerlo in condizioni operative ottimali.
25. **SOTTOPORRE A MANUTENZIONE L'ASPIRATORE CON CURA.** Mantenere l'aspiratore pulito per prestazioni migliori e più sicure. Seguire le istruzioni per la sostituzione degli accessori. Mantenere le maniglie pulite, asciutte e prive di olio e grasso.
26. **CONTROLLARE L'EVENTUALE PRESENZA DI PARTI DANNEGGIATE.** Prima di utilizzare ulteriormente l'aspiratore, controllare con cura protezioni o altre parti che siano danneggiate per accertarsi che funzionino correttamente e che svolgano la funzione a cui sono destinate. Controllare l'allineamento delle parti mobili, la presenza di eventuali inceppamenti delle parti mobili o rottura dei componenti, il montaggio ed eventuali altre condizioni che potrebbero influenzare il funzionamento. Una protezione o un'altra parte che siano danneggiate vanno riparate correttamente o sostituite da un centro di assistenza autorizzato, se non diversamente indicato altrove nel presente manuale di istruzioni. Far sostituire gli interruttori difettosi da un centro di assistenza autorizzato. Non utilizzare l'aspiratore qualora l'interruttore non consenta di accenderlo e spegnerlo.
27. Per la manutenzione eseguita dall'utente, la macchina va smantellata, pulita e sottoposta a manutenzione, entro i limiti ragionevolmente praticabili, senza causare rischi al personale di manutenzione e ad altri.
28. Almeno una volta all'anno, il produttore o una persona appositamente preparata devono sottoporre la macchina a un'ispezione tecnica che comprenda, ad esempio, l'ispezione dei filtri alla ricerca di eventuali danni, l'ermeticità della

macchina e il funzionamento corretto del meccanismo di controllo.

29. Quando si intende eseguire operazioni di manutenzione o di riparazione, tutti gli elementi contaminati che non possano venire puliti in modo soddisfacente devono essere smaltiti; tali elementi vanno smaltiti in sacchetti impenetrabili, in conformità a qualsiasi normativa corrente relativa allo smaltimento di tali rifiuti.
30. **PEZZI DI RICAMBIO.** Quando si effettuano interventi di assistenza, utilizzare esclusivamente pezzi di ricambio identici.
31. **RIPORRE L'ASPIRATORE QUANDO NON VIENE UTILIZZATO.** Quando l'aspiratore non è in uso, dovrebbe venire riposto al chiuso.
32. I filtri per liquidi e la parte interna del contenitore per liquidi vanno asciugati prima di conservarli.
33. **Maneggiare con delicatezza l'aspiratore.** Anche l'aspiratore più robusto può rompersi a causa dell'incuria nel maneggiarlo.
34. **Non tentare di pulire la superficie esterna o interna con benzina, solventi o prodotti chimici di pulizia.** In caso contrario, si potrebbero causare spaccature e scolorimenti.
35. **Non utilizzare l'aspiratore in spazi chiusi in cui siano presenti emissioni di vapori infiammabili, esplosivi o tossici dovute a vernici a olio, diluenti per vernici, benzina, alcune sostanze per trattamenti antitarmici, e così via, o in aree in cui siano presenti polveri infiammabili.**
36. **Non lasciare il cavo dell'aspiratore sul pavimento dopo aver terminato un'operazione di pulizia.** Si potrebbe correre il rischio di inciamparvi, o quest'ultimo potrebbe causare danni all'aspiratore.
37. **Non utilizzare questo utensile o altri utensili sotto l'effetto di droghe o alcolici.**
38. **Come regola di base per la sicurezza, utilizzare occhialoni oppure occhiali di sicurezza con paraocchi laterali.**
39. **Utilizzare una maschera antipolvere in condizioni di lavoro che presentino polveri.**
40. **La presente macchina non è destinata all'utilizzo da parte di persone, inclusi i bambini, dalle capacità fisiche, sensoriali o mentali ridotte, o prive di esperienza e preparazione.**
41. **I bambini vanno tenuti sotto controllo per accertarsi che non giochino con l'aspiratore.**
42. **Non maneggiare mai la spina del cavo o l'aspiratore con le mani bagnate.**
43. **Adottare estrema cautela durante la pulizia delle scale.**
44. **Non utilizzare l'aspiratore come sgabello o piano di lavoro.** In caso contrario, la macchina potrebbe cadere, causando lesioni personali.

Uso e manutenzione degli strumenti a batterie

1. **Ricaricare solo con il caricabatterie specificato dal produttore.** Un caricabatterie appropriato per un tipo di batteria potrebbe creare un rischio di incendio, se utilizzato con un'altra batteria.
2. **Utilizzare gli utensili elettrici solo con le batterie specificamente designate.** L'uso di qualsiasi altra batteria potrebbe creare un rischio di lesioni personali e incendi.

3. **Quando la batteria non è in uso, tenerla lontana da altri oggetti metallici, quali graffette, monete, chiavi, chiodi, viti o altri piccoli oggetti metallici, che potrebbero fare contatto tra terminali diversi.** Il cortocircuito dei terminali della batteria può causare ustioni o incendi.
4. **In condizioni di uso improprio, la batteria potrebbe emettere un liquido: evitare il contatto con tale liquido.** Qualora si verifici un contatto accidentale con il liquido, lavare abbondantemente con acqua. Qualora il liquido entri in contatto con gli occhi, richiedere anche assistenza medica. Il liquido espulso dalla batteria può causare irritazioni o ustioni.
5. **Non utilizzare una batteria o un utensile che siano danneggiati o che siano stati modificati.** Batterie danneggiate o modificate potrebbero mostrare un comportamento imprevedibile che può risultare in incendi, esplosioni o nel rischio di lesioni personali.
6. **Non esporre una batteria o un utensile al fuoco o a temperature eccessive.** L'esposizione al fuoco o a temperature superiori ai 130 °C potrebbe causare un'esplosione.
7. **Attenersi a tutte le istruzioni relative alla carica e non caricare la batteria o l'utensile al di fuori della gamma di temperature specificata nelle istruzioni.** Una carica inappropriata o a temperature al di fuori della gamma specificata potrebbe danneggiare la batteria e incrementare il rischio di incendio.

CONSERVARE LE PRESENTI ISTRUZIONI.



AVVERTENZA:

NON lasciare che la comodità o la familiarità d'uso con il prodotto (acquisita con l'uso ripetuto) sostituiscano la stretta osservanza delle norme di sicurezza. L'USO IMPROPRIO o la mancata osservanza delle norme di sicurezza riportate nel presente manuale manuale di istruzioni potrebbero causare lesioni personali gravi.

Istruzioni di sicurezza importanti per la cartuccia della batteria ENC007-17

1. **Prima di utilizzare la cartuccia della batteria, leggere tutte le istruzioni e le avvertenze riportate (1) sul caricabatteria, (2) sulla batteria e (3) sul prodotto che utilizza la batteria.**
2. **Non smantellare né manomettere la cartuccia della batteria.** In caso contrario, si potrebbe causare un incendio, calore eccessivo o un'esplosione.
3. **Qualora il tempo di utilizzo si riduca eccessivamente, interrompere immediatamente l'utilizzo dell'utensile.** In caso contrario, si può incorrere nel rischio di surriscaldamento, possibili ustioni e persino un'esplosione.
4. **Qualora l'elettrolita entri in contatto con gli occhi, sciacquarli con acqua pulita e richiedere immediatamente assistenza medica.** Questa eventualità può risultare nella perdita della vista.
5. **Non cortocircuitare la cartuccia della batteria:**

- (1) **Non toccare i terminali con alcun materiale conduttivo.**
- (2) **Evitare di conservare la cartuccia della batteria in un contenitore insieme ad altri oggetti metallici quali chiodi, monete, e così via.**
- (3) **Non esporre la cartuccia della batteria all'acqua o alla pioggia.**

Un cortocircuito della batteria può causare un grande flusso di corrente, un surriscaldamento, possibili ustioni e persino un guasto.

6. **Non conservare e utilizzare l'utensile e la cartuccia della batteria in ubicazioni in cui la temperatura possa raggiungere o superare i 50°C.**
7. **Non incenerire la cartuccia della batteria anche qualora sia gravemente danneggiata o completamente esaurita. La cartuccia della batteria può esplodere se a contatto con il fuoco.**
8. **Non inchiodare, tagliare, schiacciare, lanciare o far cadere la cartuccia della batteria, né farla urtare con forza contro un oggetto duro.** Questi comportamenti potrebbero risultare in un incendio, calore eccessivo o un'esplosione.
9. **Non utilizzare una batteria danneggiata.**
10. **Le batterie a ioni di litio contenute sono soggette ai requisiti del regolamento sul trasporto di merci pericolose (Dangerous Goods Legislation).**
Per trasporti commerciali, ad esempio da parte di terzi o spedizionieri, è necessario osservare dei requisiti speciali sull'imballaggio e sull'etichetta.
Per la preparazione dell'articolo da spedire, è richiesta la consulenza di un esperto in materiali pericolosi.
Attenersi anche alle normative nazionali, che potrebbero essere più dettagliate.
Nastrare o coprire i contatti aperti e imballare la batteria in modo tale che non si possa muovere liberamente all'interno dell'imballaggio.
11. **Quando si intende smaltire la cartuccia della batteria, rimuoverla dall'utensile e smaltirla in un luogo sicuro. Attenersi alle normative locali relative allo smaltimento della batteria.**
12. **Utilizzare le batterie esclusivamente con i prodotti specificati da Makita.** L'installazione delle batterie in prodotti non compatibili potrebbe risultare in incendi, calore eccessivo, esplosioni o perdite di liquido elettrolitico.
13. **Se l'utensile non viene utilizzato per un periodo di tempo prolungato, la batteria deve essere rimossa dall'utensile.**
14. **Durante e dopo l'uso, la cartuccia della batteria potrebbe assorbire calore, che può causare ustioni o ustioni a bassa temperatura. Fare attenzione a come si maneggiano le cartucce delle batterie estremamente calde.**
15. **Non toccare i terminali dell'utensile subito dopo l'uso, in quanto potrebbero diventare estremamente caldi al punto da causare ustioni.**
16. **Evitare di far incastrare schegge, polveri o terreno nei terminali, nei fori e nelle scanalature della cartuccia della batteria.** In caso contrario, l'utensile o la cartuccia della batteria potrebbero riscaldarsi, prendere fuoco, scoppiare o guastarsi, causando ustioni o lesioni personali.

17. **A meno che l'utensile supporti l'uso in prossimità di linee elettriche ad alta tensione, non utilizzare la cartuccia della batteria in prossimità di linee elettriche ad alta tensione.** In caso contrario, si potrebbe causare un malfunzionamento o la rottura dell'utensile o della cartuccia della batteria.
18. **Tenere la batteria lontana dai bambini.**

CONSERVARE LE PRESENTI ISTRUZIONI.

⚠ ATTENZIONE: Utilizzare solo batterie originali Makita. L'utilizzo di batterie Makita non originali, o di batterie che siano state alterate, potrebbe risultare nello scoppio della batteria, causando incendi, lesioni personali e danni. Inoltre, ciò potrebbe invalidare la garanzia Makita per l'utensile e i caricabatterie Makita.

Suggerimenti per preservare la durata massima della batteria

1. **Caricare la cartuccia della batteria prima che si scarichi completamente. Smettere sempre di utilizzare l'utensile e caricare la cartuccia della batteria quando si nota che la potenza dell'utensile è diminuita.**
2. **Non ricaricare mai una cartuccia della batteria completamente carica. La sovraccarica riduce la vita utile della batteria.**
3. **Caricare la cartuccia della batteria a una temperatura ambiente compresa tra 10 °C e 40 °C. Lasciar raffreddare una cartuccia della batteria prima di caricarla.**
4. **Quando non si utilizza la cartuccia della batteria, rimuoverla dall'utensile o dal caricabatterie.**
5. **Caricare la cartuccia della batteria se non la si è utilizzata per un periodo di tempo prolungato (più di sei mesi).**

DESCRIZIONE FUNZIONALE

Uso con l'alimentazione CA:

⚠ AVVERTENZA:

- **Prima di inserire la spina dell'aspiratore, assicurarsi sempre che sia spento.** Se si inserisce la spina dell'aspiratore con l'interruttore acceso, l'aspiratore potrebbe avviarsi inaspettatamente provocando gravi infortuni.

Collegare la spina all'alimentazione. (Fig. 1)

L'indicatore di alimentazione CA si accende quando l'interruttore di standby viene spostato sul lato "I". (Fig. 2)

NOTA:

- Anche se si trova nella modalità di alimentazione CC, l'utensile viene portato automaticamente nella modalità di alimentazione CA a seguito del collegamento.
- Se l'utensile viene scollegato durante il funzionamento con la batteria inserita, l'aspiratore entra nello stato di standby.

Uso con la batteria:

Inserimento o rimozione della batteria

ATTENZIONE:

- Prima di regolare o controllare le funzioni dell'aspiratore, verificare sempre di averlo spento e scollegato e di aver rimosso la batteria.
- **Tenere saldamente l'aspiratore e la batteria durante l'inserimento o la rimozione della batteria stessa.** In caso contrario potrebbero scivolare dalle mani, causando danni all'aspiratore e alla batteria o lesioni personali.
- **Prestare attenzione a non schiacciarsi le dita durante l'apertura o la chiusura del coperchio della batteria.** In caso contrario, si potrebbero subire infortuni.

Per inserire la batteria, rilasciare il blocco e aprire il coperchio della batteria. Inserire quindi la batteria. (Fig. 3) Allineare la linguetta sulla batteria con la scanalatura nell'alloggiamento e farla scorrere in posizione. Inserirla a fondo fino a bloccarla in posizione con uno scatto. Bloccare quindi il coperchio della batteria. (Fig. 4) Per rimuovere la batteria, è sufficiente estrarla dall'utensile facendo scorrere il pulsante sulla parte anteriore della batteria.

AVVISO:

- Togliere la spina dell'aspiratore dalla prolunga quando si usa l'aspiratore con le batterie.

ATTENZIONE:

- Inserire sempre a fondo la batteria. In caso contrario, potrebbe fuoriuscire accidentalmente dall'utensile, provocando danni all'operatore o a eventuali osservatori.
- Non forzare l'inserimento della batteria. Se la batteria non scorre agevolmente, significa che la manovra di inserimento non è corretta.

NOTA:

- L'aspiratore non funziona con una sola batteria.

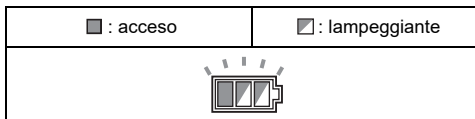
Sistema di protezione dell'utensile e della batteria

L'utensile è dotato di un sistema di protezione dell'utensile e della batteria. Questo sistema interrompe automaticamente l'alimentazione del motore per prolungare la durata dell'utensile e della batteria. L'utensile si spegne automaticamente durante l'uso se l'utensile stesso o la batteria si trovano in una delle seguenti condizioni. In presenza di alcune condizioni, gli indicatori si accendono.

Protezione dal sovraccarico

Un utensile in sovraccarico si ferma automaticamente. In questa situazione, spegnere l'utensile e interrompere l'operazione che ha provocato il sovraccarico dell'utensile. Successivamente, accendere nuovamente l'utensile per riavviarlo.

Protezione dal surriscaldamento dell'utensile



015485

Quando si surriscalda, l'utensile si spegne automaticamente e l'indicatore della batteria lampeggia per 60 secondi circa. In questa situazione, lasciare raffreddare l'utensile prima di riaccenderlo.





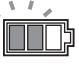
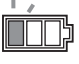
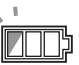
Protezione dal sovraccaricamento

Quando la capacità della batteria si riduce, l'utensile si ferma automaticamente. Se il prodotto non funziona nonostante l'azionamento degli interruttori, rimuovere le batterie dall'utensile e ricaricarle.

Indicazione della capacità residua della batteria (Fig. 5 e 6)

Premere il pulsante di controllo per fare in modo che gli indicatori delle batterie mostrino la capacità residua delle batterie. Gli indicatori delle batterie corrispondono a ciascuna batteria.

Indicazione della capacità residua della batteria

Stato dell'indicatore della batteria			Capacità residua della batteria
 : acceso	 : spento	 : lampeggiante	
			50% - 100%
			20% - 50%
			0% - 20%
			Caricare la batteria

015527

Indicazione della capacità residua della batteria

Solo per batterie con spia (Fig. 7)

Premere il pulsante di controllo sulla batteria per visualizzare la capacità residua della batteria. Le spie luminose si illuminano per qualche secondo.

Spie luminose			Capacità residua
Accesa	Spenta	Lampeggiante	
			Dal 75% al 100%
			Dal 50% al 75%
			Dal 25% al 50%
			Dal 0% al 25%
			Caricare la batteria.
			Probabile malfunzionamento della batteria.

015658

NOTA:

- Il valore indicato potrebbe variare leggermente dalla capacità effettiva in base alle condizioni di utilizzo e alla temperatura ambientale.

Azionamento dell'interruttore (Fig. 8)

Per avviare l'aspiratore:

1. Spostare l'interruttore di standby verso il lato "I".

L'aspiratore entra nello stato di standby.

2. Premere il pulsante di accensione.

Per portare l'aspiratore nella modalità di standby, premere di nuovo il pulsante di accensione.

Per spegnere l'aspiratore, spostare l'interruttore di standby verso il lato "O".

La potenza aspirante è regolabile in base alle esigenze di lavoro.

Per aumentare la potenza aspirante, ruotare la manopola di regolazione della potenza aspirante dal simbolo ↻ al simbolo ↺.

AVVISO:

- Spostare sempre l'interruttore di standby verso il lato "O" se non si intende utilizzare l'aspiratore per lungo tempo. L'aspiratore consuma energia nello stato di standby.

Arresto automatico dell'aspirazione durante l'operazione di aspirazione a umido (per il modello con filtro in tessuto)

⚠ AVVERTENZA:

- **Non usare per lunghi periodi quando è in funzione il galleggiante.** L'uso dell'aspiratore per lunghi periodi quando è in funzione il galleggiante può provocare il surriscaldamento e la deformazione dell'aspiratore.
- **Non aspirare schiuma o liquidi contenenti sapone.** Se si aspirano schiuma o liquidi contenenti sapone, la schiuma potrebbe fuoriuscire dalla presa dell'aria prima che entri in funzione il galleggiante. Se si prosegue l'utilizzo in queste condizioni, potrebbero

verificarsi scosse elettriche e l'aspiratore potrebbe rompersi.

L'arresto automatico dell'aspirazione è in funzione solo se sono in uso il galleggiante e la gabbia del galleggiante. L'aspiratore dispone di un meccanismo galleggiante che impedisce all'acqua di penetrare nel motore quando ne viene aspirata più di una certa quantità. Quando il serbatoio è pieno e l'aspiratore non aspira più acqua, spegnere l'aspiratore e svuotare il serbatoio.

Bloccaggio e sbloccaggio della ruota orientabile (Fig. 9)

Per bloccare la ruota orientabile con il fermo, abbassare la leva di fermo: la ruota orientabile non potrà più essere ruotata. Per sbloccare la ruota orientabile dalla posizione di bloccaggio, sollevare la leva di fermo.

Il bloccaggio della ruota orientabile risulta pratico quando si ripone l'aspiratore, per fare una pausa durante il lavoro e per mantenere fermo l'aspiratore.

Per usare il fermo, spostarlo a mano.

NOTA:

- Quando si sposta l'aspiratore, assicurarsi che la ruota orientabile non sia bloccata. In caso contrario, la ruota orientabile potrebbe danneggiarsi.

Impugnatura del carrello (Fig. 10)

Per trasportare l'aspiratore, afferrare l'impugnatura sulla testata. Quando non viene utilizzata, l'impugnatura può essere richiusa sulla testata.

DESCRIZIONE DEI COMPONENTI

Modello DVC860L

(modello con filtro in tessuto per polveri asciutte e umide) (Fig. 11)

Modello DVC861L

(modello con filtro antipolvere per polveri asciutte) (Fig. 12)

MONTAGGIO

⚠ ATTENZIONE:

- Prima di eseguire qualunque intervento sull'aspiratore, verificare sempre di averlo spento e scollegato e di aver rimosso la batteria.
- Indossare sempre la mascherina antipolvere durante il montaggio o la manutenzione.

Installazione del filtro antipolvere (HEPA) e del prefiltro (per polveri asciutte) (Fig. 13 e 14)

Accessorio opzionale per il modello con filtro in tessuto

⚠ ATTENZIONE:

- Evitare di aspirare acqua, altri liquidi o polveri umide quando è in uso il filtro antipolvere. In caso contrario, il filtro antipolvere potrebbe rompersi.

Per utilizzare il filtro antipolvere, rimuovere la gabbia del galleggiante e il galleggiante svitando i bulloni.

Collocare il prefiltro all'interno del serbatoio.

Montare quindi la valvola di tiraggio sul filtro antipolvere e inserire il tutto nel prefiltro.

Durante l'installazione del filtro antipolvere e del prefiltro, allineare gli indicatori della posizione di montaggio sui componenti con quelli nella parte superiore del serbatoio. Posizionare quindi il coperchio del serbatoio e bloccarlo.

NOTA:

- Prima di usare il filtro antipolvere, assicurarsi che il prefiltro e la valvola di tiraggio siano entrambi presenti. Non è consentito installare soltanto il filtro antipolvere.

Installazione del filtro dell'acqua (per il modello con filtro in tessuto) (accessorio opzionale)

⚠ ATTENZIONE:

- Non aspirare acqua o polveri umide in assenza del galleggiante e del filtro in tessuto o del filtro dell'acqua.
- Per l'aspirazione di polveri umide, assicurarsi che nell'aspiratore siano installati la gabbia del galleggiante e il galleggiante.
- Quando si installa il filtro dell'acqua sul serbatoio, fissarlo ben stretto all'apertura del serbatoio, in modo che il gancio del filtro dell'acqua si innesti saldamente sull'apertura del serbatoio e non rimanga spazio tra il filtro dell'acqua e il serbatoio.

AVVISO:

- Si consiglia l'utilizzo del filtro dell'acqua quando viene ripetutamente raccolta una grande quantità di acqua. Con il filtro in tessuto la capacità di aspirazione rischierebbe altrimenti di essere ridotta.

Per aspirare solo acqua o polveri umide, è preferibile utilizzare il filtro dell'acqua piuttosto che il filtro in tessuto. Per il montaggio del filtro dell'acqua, allineare il suo indicatore della posizione di montaggio con quello sul serbatoio. (Fig. 15)

Installazione del sacchetto in carta (accessorio opzionale)

⚠ AVVERTENZA:

- Quando si usa il sacchetto in carta, utilizzare anche il filtro in tessuto o il prefiltro preinstallato sull'utensile. Se non si utilizza il filtro in tessuto/prefiltro, potrebbero prodursi rumori anomali e surriscaldamento, con conseguente rischio di incendio.

⚠ ATTENZIONE:

(Per il modello con filtro in tessuto)

- Evitare di aspirare acqua, altri liquidi o polveri umide quando è in uso il sacchetto in carta. In caso contrario, il sacchetto di carta potrebbe rompersi.
- Prima di usare il sacchetto in carta, assicurarsi che il filtro antipolvere (accessorio opzionale), la valvola di tiraggio (accessorio opzionale) e il prefiltro siano tutti presenti.

(Per il modello con filtro antipolvere)

- Prima di usare il sacchetto in carta, assicurarsi che il filtro antipolvere, la valvola di tiraggio e il prefiltro siano tutti presenti.
1. Rimuovere il supporto in gomma. (Fig. 16)
 2. Aprire e allargare il sacchetto in carta.
 3. Allineare l'apertura del sacchetto in carta con l'apertura di aspirazione della polvere dell'aspiratore.

4. Inserire il cartoncino del sacchetto in carta sul supporto in modo da posizionarlo in fondo, oltre la sporgenza del fermo. (Fig. 17)

Installazione del sacchetto in polietilene

L'aspiratore può anche essere usato senza il sacchetto in polietilene. Tuttavia, usando il sacchetto in polietilene risulta più facile svuotare il serbatoio senza sporcarsi le mani.

Aprire e allargare il sacchetto in polietilene all'interno del serbatoio. Inserire il sacchetto tra la piastra del supporto e il serbatoio, quindi tirarlo verso la bocca del tubo flessibile. Estendere il sacchetto intorno alla parte superiore del serbatoio, in modo che il bordo del prefiltro possa fissarsi e reggere saldamente il sacchetto. (Fig. 18)

NOTA:

- È possibile utilizzare un comune sacchetto in polietilene del tipo disponibile in commercio. Si raccomanda di usare sacchetti di spessore pari o superiore a 0,04 mm.
- Una quantità eccessiva di polvere può causare la rottura del sacchetto: non superare la metà della capacità del sacchetto.

Svuotamento del sacchetto in polietilene

⚠ AVVERTENZA:

- Assicurarsi sempre che l'aspiratore sia spento e scollegato prima di svuotare il sacchetto in polietilene. In caso contrario, potrebbero verificarsi scosse elettriche e gravi infortuni.

⚠ ATTENZIONE:

- Non urtare con forza la gabbia del galleggiante e il serbatoio. In caso contrario, i componenti potrebbero deformarsi e danneggiarsi.
- Svuotare il serbatoio almeno una volta al giorno, anche se la frequenza di questa operazione dipende dalla quantità di polvere aspirata contenuta nel serbatoio. In caso contrario, la potenza aspirante si ridurrà e il motore potrebbe rompersi.
- Per svuotare il serbatoio, evitare di afferrare il gancio. Afferrando il gancio, esso potrebbe rompersi.

Sganciare e sollevare il coperchio del serbatoio.

Scuotere via la polvere dal filtro in tessuto/filtro antipolvere, quindi estrarre il sacchetto in polietilene dal serbatoio. (Fig. 19)

NOTA:

- Quando si svuota il sacchetto in polietilene, estrarlo dal serbatoio con attenzione, in modo che non rimanga impigliato sulla sporgenza all'interno del serbatoio, rompendosi.
- Svuotare il sacchetto in polietilene prima che sia completamente pieno. Una quantità eccessiva di polvere nel serbatoio potrebbe causare la rottura del sacchetto in polietilene.

Montaggio della cassetta degli attrezzi

1. Rilasciare il blocco del coperchio della batteria e aprire il coperchio.
2. Inserire i binari della cassetta degli attrezzi nelle scanalature sul corpo dell'utensile. (Fig. 20)
3. Chiudere e bloccare il coperchio della batteria.

La cassetta degli attrezzi serve per trasportare comodamente batterie, prolunghe, tubi o bocchette. (Fig. 21)

Collegamento del tubo flessibile

⚠ ATTENZIONE:

- Evitare di piegare forzatamente il tubo flessibile o di calpestarlo. Evitare di spostare l'aspiratore tirandolo per il tubo flessibile. Se il tubo flessibile viene manipolato forzosamente, calpestato o tirato, potrebbe rompersi o deformarsi.
- Per aspirare rifiuti di grandi dimensioni quali trucioli di piallatura, polveri di cemento o simili, utilizzare il tubo flessibile con diametro interno di 38 mm (accessorio opzionale). L'uso del tubo flessibile con diametro interno di 28 mm (accessorio opzionale) può ostruire e danneggiare il tubo.

Inserire il tubo flessibile nell'apertura di montaggio del serbatoio e ruotarlo in senso orario fino a quando non rimane bloccato. (Fig. 22)

MANUTENZIONE

⚠ ATTENZIONE:

- Prima di effettuare interventi di ispezione e manutenzione, verificare sempre di aver spento e scollegato l'utensile e di aver rimosso la batteria.

Stoccaggio del cavo di alimentazione (Fig. 23)

È possibile avvolgere il cavo di alimentazione intorno alla cassetta degli attrezzi.

Stoccaggio degli accessori (Fig. 24)

I tubi possono essere inseriti nel supporto per tubi quando l'aspiratore non deve essere utilizzato per un breve periodo. (Fig. 25)

Il tubo flessibile può essere avvolto attorno all'utensile collegando le due estremità. (Fig. 26)

Pulizia

⚠ ATTENZIONE:

- Evitare assolutamente di usare benzina, diluenti, solventi, alcol o sostanze simili. In caso contrario, potrebbero verificarsi scoloriture, deformazioni o incrinature.

Pulizia del filtro in tessuto

Solo per il modello con filtro in tessuto

Un filtro in tessuto intasato può causare prestazioni di aspirazione scadenti.

Pulire periodicamente il filtro in tessuto.

Per rimuovere polvere e particelle che hanno aderito al filtro in tessuto, scuotere rapidamente e ripetutamente la parte inferiore del telaio. (Fig. 27)

Pulizia del filtro antipolvere (HEPA) e del prefiltro

Solo per il modello con filtro antipolvere

Se il filtro antipolvere, il prefiltro o la valvola di tiraggio sono ostruiti, le prestazioni di aspirazione saranno scadenti.

Pulire periodicamente i filtri e le valvole di tiraggio.

Per rimuovere polvere e particelle che hanno aderito ai filtri, scuotere rapidamente e ripetutamente la parte inferiore del telaio.

Di tanto in tanto, lavare il filtro antipolvere in acqua, risciacquare e lasciar asciugare completamente all'ombra prima dell'uso. Non lavare i filtri in lavatrice. (Fig. 28)

NOTA:

- Non strofinare o grattare il filtro antipolvere, il prefiltro o la valvola di tiraggio con oggetti duri quali spazzole o spatole.
- I filtri si usurano con il tempo. Si raccomanda di avere alcuni ricambi a portata di mano.

Per preservare la SICUREZZA e l'AFFIDABILITÀ del prodotto, qualsiasi riparazione o intervento di manutenzione e regolazione deve essere eseguito dai centri assistenza autorizzati Makita utilizzando sempre ricambi Makita.

ACCESSORI OPZIONALI

⚠ ATTENZIONE:

- Si consiglia l'uso dei seguenti accessori per l'utensile Makita descritto in questo manuale. L'uso di qualsiasi altro accessorio potrebbe provocare lesioni personali. Utilizzare gli accessori esclusivamente per l'uso dichiarato.

Per l'assistenza e per ulteriori informazioni su tali accessori, rivolgersi al centro assistenza Makita di zona.

- Batteria e caricabatterie originali Makita
- Tubo flessibile
- Bocchette anteriori (22, 24, 38)
- Tubo diritto
- Ugello angolare
- Spazzola circolare
- Filtro antipolvere, HEPA (per polveri asciutte)
- Valvola di tiraggio
- Prefiltro
- Gruppo dell'ugello
- Tubo curvo
- Sacchetto in polietilene
- Filtro dell'acqua (opzione per il modello con filtro in tessuto)
- Sacchetto in carta
- Set del supporto

NOTA:

- Alcuni degli accessori elencati potrebbero essere inclusi nella confezione dell'utensile come accessori standard. Gli accessori standard possono differire da paese a paese.

Rumorosità

ENG905-1

Il tipico livello di rumore ponderato A è determinato in conformità alla norma IEC60335-2-69:

Livello di pressione sonora (L_{pA}): 75 dB (A)

Variazione (K): 2,5 dB (A)

Il livello di rumorosità durante il funzionamento può superare 80 dB (A).

ENG907-1

- Il valore o i valori dichiarati delle emissioni di rumori sono stati misurati in conformità a un metodo standard di verifica, e possono essere utilizzati per confrontare un utensile con un altro.
- Il valore o i valori dichiarati delle emissioni di rumori possono venire utilizzati anche per una valutazione preliminare dell'esposizione.

AVVERTENZA:

- **Indossare protezioni per le orecchie.**
- **L'emissione di rumori durante l'utilizzo effettivo dell'utensile elettrico può variare rispetto al valore o ai valori dichiarati, a seconda dei modi in cui viene utilizzato l'utensile e specialmente a seconda di che tipo di pezzo venga lavorato.**
- **Accertarsi di identificare misure di sicurezza per la protezione dell'operatore che siano basate su una stima dell'esposizione nelle condizioni effettive di utilizzo (tenendo conto di tutte le parti del ciclo operativo, ad esempio del numero di spegnimenti dell'utensile e di quando giri a vuoto, oltre al tempo di attivazione).**

Vibrazione

ENG900-1

Il valore totale delle vibrazioni (somma vettoriale triassiale) è determinato in conformità alla norma IEC 60335-2-69:

Emissione di vibrazioni (a_h): 2,5 m/s² o inferiore

Variazione (K): 1,5 m/s²

ENG901-2

- Il valore o i valori complessivi delle vibrazioni dichiarati sono stati misurati in conformità a un metodo standard di verifica, e possono essere utilizzati per confrontare un utensile con un altro.
- Il valore o i valori complessivi delle vibrazioni dichiarati possono venire utilizzati anche per una valutazione preliminare dell'esposizione.

AVVERTENZA:

- **L'emissione delle vibrazioni durante l'utilizzo effettivo dell'utensile elettrico può variare rispetto al valore o ai valori dichiarati, a seconda dei modi in cui viene utilizzato l'utensile, specialmente a seconda di che tipo di pezzo venga lavorato.**
- **Accertarsi di identificare misure di sicurezza per la protezione dell'operatore che siano basate su una stima dell'esposizione nelle condizioni effettive di utilizzo (tenendo conto di tutte le parti del ciclo operativo, ad esempio del numero di spegnimenti dell'utensile e di quando giri a vuoto, oltre al tempo di attivazione).**

Dichiarazione di conformità CE

Solo per i paesi europei

La dichiarazione di conformità CE è inclusa nell'Allegato A al presente manuale di istruzioni.

NEDERLANDS (Originele instructies)

WAARSCHUWING

- Dit apparaat is niet bedoeld voor gebruik door personen, waaronder kinderen, met een verminderd lichamelijk, zintuiglijk of geestelijk vermogen, of gebrek aan kennis en ervaring.
- Kinderen dienen onder toezicht te staan om ervoor te zorgen dat zij niet met de stofzuiger spelen.
- Als het netsnoer beschadigd is, moet dit worden vervangen door een erkende elektrotechnisch reparateur.
- Zie het hoofdstuk "TECHNISCHE GEGEVENS" voor de typeaanduiding van de accu.
- Zie het hoofdstuk "De accu aanbrengen en verwijderen" voor hoe u de accu kunt aanbrengen en verwijderen.
- Wanneer u de accu wilt weggooien, verwijdert u de accu vanaf het gereedschap en gooit u hem op een veilige manier weg. Volg bij het weggooien van de accu de plaatselijke voorschriften.
- Als u het gereedschap gedurende een lange tijd niet denkt te gaan gebruiken, moet de accu vanaf het gereedschap worden verwijderd.
- Voorkom kortsluiting van de accu.
- Zie het hoofdstuk "ONDERHOUD" voor de benodigde informatie over de voorzorgsmaatregelen tijdens onderhoud door de gebruiker.

Verklaring van het onderdelenoverzicht

- | | | |
|--|-------------------------|---|
| 1. Stekker (de vorm van de stekker en lengte van het netsnoer kan van land tot land verschillen) | 10. Zuigkrachinstelknop | 21. Demper |
| 2. Netstroomindicator | 11. Wielje | 22. Voorfilter |
| 3. Vergrendeling | 12. Wielvergrendeling | 23. Markeringen voor de plaatsingspositie |
| 4. Accudeksel | 13. Ontgrendelde stand | 24. Waterfilter |
| 5. Accu | 14. Vergrendelde stand | 25. Rubberen houder |
| 6. Testknop | 15. Tankdeksel | 26. Papieren stofzak |
| 7. Indicatorlampjes | 16. Vlotter | 27. Houder |
| 8. Standby-schakelaar | 17. Vlotterkooi | 28. Houderplaat |
| 9. Aan-uitknop | 18. Doekfilter | 29. Polyethyleenzak |
| | 19. Tank | |
| | 20. Poedervilter (HEPA) | |

TECHNISCHE GEGEVENS

Model		DVC860L	DVC861L
Standaardtype filter		Doekfilter (voor droog en nat stof)	Poedervilter (voor droog stof)
Volumestroom (lucht)	Werking op gelijkstroom (met BL1830, slang $\varnothing 38$ mm x 2,5 m)	2,1 m ³ /min	
	Werking op wisselstroom (met slang $\varnothing 38$ mm x 2,5 m)	3,6 m ³ /min	
Vacuüm	Werking op gelijkstroom (met BL1830, slang $\varnothing 38$ mm x 2,5 m)	90 hPa	
	Werking op wisselstroom (met slang $\varnothing 38$ mm x 2,5 m)	240 hPa	
Inhoud	Stof	8 liter	
	Water	6 liter	–
Afmetingen (l x b x h)		366 mm x 334 mm x 368 mm	
Elektrische waarden bij gebruik op wisselstroom		Afhankelijk van het land. Raadpleeg het typeplaatje.	
Nominale spanning (werking op accu's)		36 V gelijkstroom	
Nettogewicht		8,6 - 9,2 kg	9,3 - 9,9 kg
Beschermingsklasse		IPX4	
Veiligheidsklasse		□/II	

- Als gevolg van ons doorlopende onderzoeks- en ontwikkelingsprogramma, zijn de technische gegevens van dit gereedschap onderhevig aan veranderingen zonder voorafgaande kennisgeving.
- De technische gegevens van de accu kunnen van land tot land verschillen.
- Het gewicht is exclusief bijgeleverde accessoires, maar inclusief de accu(s). Het laagste en hoogste gecombineerde gewicht van het apparaat en de accu(s) wordt vermeld in de tabel.
- Voor nat stof zijn de vlotter en het waterfilter of doekfilter vereist.

Geschiede accu en acculader

Accu	BL1815N/BL1820B/BL1830B/BL1840B/BL1850B/BL1860B
Acculader	DC18RC/DC18RD/DC18RE/DC18SD/DC18SE/DC18SF/DC18SH

- Sommige van de bovenvermelde accu's en acculaders zijn mogelijk niet leverbaar, afhankelijk van het gebied waarin u woont.



WAARSCHUWING:


- **Gebruik uitsluitend de bovenvermelde accu's en acculaders.** Als u een andere accu of oplader gebruikt, kan dit leiden tot letsel en/of brand.


Symbolen


END118-1


Hieronder staan de symbolen die voor het gereedschap kunnen worden gebruikt. Zorg ervoor dat u de betekenis ervan kent voordat u het gereedschap gaat gebruiken.

  Lees de gebruiksaanwijzing.

 Besteed bijzondere zorg en aandacht.

 Waarschuwing! De stofzuiger kan gevaarlijk stof bevatten.

 Ga nooit op de stofzuiger staan.

 Stofklasse L (licht). De stofzuigers zijn in staat om stof van klasse L op te zuigen.
Houdt u zich aan de wetten en regelgeving zoals die in uw land gelden met betrekking tot stof en arbeidsomstandigheden.

 **DUBBEL GEÏSOLEERD**

 **Ni-MH Li-ion** Alleen voor EU-landen
Als gevolg van de aanwezigheid van schadelijke componenten in het apparaat, kunnen oude elektrische en elektronische apparaten, accu's en batterijen negatieve gevolgen hebben voor het milieu en de gezondheid van mensen.
Gooi elektrische en elektronische apparaten en accu's niet met het huisvuil weg!
In overeenstemming met de Europese richtlijn inzake oude elektrische en elektronische apparaten en inzake accu's en batterijen en oude accu's en batterijen, alsmede de toepassing daarvan binnen de nationale wetgeving, dienen oude elektrische apparaten, accu's en batterijen gescheiden te worden opgeslagen en te worden ingeleverd bij een apart inzamelingspunt voor huishoudelijk afval dat de milieubeschermingsvoorschriften in acht neemt.

Dit wordt op het apparaat aangegeven door het symbool van een doorgekruiste afvalcontainer.

Gebruiksdoelstellingen

ENE084-1

Het gereedschap is geschikt voor commercieel gebruik, bijvoorbeeld in hotels, scholen, ziekenhuizen, fabrieken, winkels, kantoren en verhuurbedrijven.

DVC860L

Het gereedschap is bedoeld om zowel droog als nat stof te verzamelen.

DVC861L

Het gereedschap is uitsluitend bedoeld om droog stof te verzamelen.

Voeding

ENF002-2

Het gereedschap mag uitsluitend worden aangesloten op een voeding met dezelfde spanning als aangegeven op het typeplaatje en werkt alleen op enkele-fase wisselstroom. Het gereedschap is dubbel geïsoleerd en mag derhalve ook op een niet-geaard stopcontact worden aangesloten.

Veiligheids waarschuwingen voor een stroom- en accustofzuiger

ENB124-5

 **WAARSCHUWING: BELANGRIJK! LEES VÓÓR GEBRUIK alle veiligheids waarschuwingen en alle instructies ZORGVULDIG DOOR.** Het niet volgen van de waarschuwingen en instructies kan leiden tot elektrische schokken, brand en/of ernstig letsel.

1. **Bedenk vóór gebruik dat deze stofzuiger moet worden gebruikt door mensen die goed zijn geïnstrueerd in het gebruik van deze stofzuiger.**
2. **Vóór gebruik moeten gebruikers informatie, instructie en training krijgen over het gebruik van het apparaat en de materialen waarvoor het moet worden gebruikt, inclusief de veilige werkwijze voor het verwijderen en weggoien van het verzamelde materiaal.**
3. **Als er schuim of vloeistof uit komt, schakelt u hem onmiddellijk uit.**
4. **Maak de waterpeilbegrenzer regelmatig schoon en inspecteer hem op tekenen van beschadiging.**
5. **Gebruik de stofzuiger niet zonder het filter. Vervang een beschadigd filter onmiddellijk.**
6. **GEBRUIK VAN EEN VERLENGSNOER.** Als u een verlengsnoer moet gebruiken vanwege de grote afstand tot een stopcontact, gebruikt u een verlengsnoer dat voldoende dik maar niet te lang is omdat anders de prestaties van de stofzuiger nadelig beïnvloed kunnen worden. Bij gebruik

- buitenshuis, gebruikt u een verlengsknoor dat geschikt is voor gebruik buitenshuis.
7. **WAARSCHUWING OVER SPANNING:** Voordat u de stofzuiger aansluit op een voedingsbron (stopcontact, stekkerdoos, enz.), verzekert u zich ervan dat de voedingsspanning hetzelfde is als de spanning vermeld op het typeplaatje van de stofzuiger. Een voedingsbron met een hogere spanning dan is opgegeven voor de stofzuiger, kan ERNSTIG LETSEL bij de gebruiker veroorzaken, naast schade aan de stofzuiger. Bij twijfel mag u DE STOFZUIGER NIET AANSLUITEN. Het gebruik van een voedingsbron met een lagere spanning dan is vermeld op het typeplaatje, is schadelijk voor de motor.
 8. **VOORKOM ONBEDOELD STARTEN.** Verzekert u ervan dat de schakelaar in de uit-stand staat voordat u de stekker in het stopcontact steekt.
 9. Probeer niet brandbare materialen, vuurwerk, brandende sigaretten, hete as, hete metaaldeeltjes, scherpe materialen, zoals scheermesjes, naalden, gebroken glas en dergelijke, op te zuigen.
 10. **GEBRUIK DE STOFZUIGER NOOIT IN DE BUURT VAN BENZINE, GAS, VERF, LIJM OF ANDERE UITERST EXPLOSIEVE STOFFEN.** De schakelaar produceert vonken bij het in- en uitschakelen. En dat doet ook de collector in de motor tijdens gebruik. Hierdoor kan een gevaarlijke explosie worden veroorzaakt.
 11. Zuig nooit giftige, kankerverwekkende, ontbrandbare of andere gevaarlijke stoffen op, zoals asbest, arsenicum, barium, beryllium, lood, pesticiden en andere gezondheidsbedreigende materialen.
 12. Plaats de stofzuiger altijd op een horizontale en vlakke ondergrond om te voorkomen dat hij omvalt of onbedoeld beweegt.
 13. Gebruik de stofzuiger nooit buitenshuis in de regen.
 14. In Finland mag dit apparaat niet buitenshuis worden gebruikt bij lage temperaturen.
 15. Gebruik hem niet dichtbij een warmtebron (fornuis, enz.).
 16. Als de uitlaatlucht terugstroomt in het vertrek, is het noodzakelijk voor voldoende luchtverversing in het vertrek te zorgen. Raadpleeg hiervoor de nationale regelgeving.
 17. **BEVEILIGING TEGEN ELEKTRISCHE SCHOKKEN.** Voorkom lichamelijk contact met geaarde oppervlakken. Bijvoorbeeld: pijpen, radiators, kooktoestellen, buitenkant koelkasten.
 18. Blokkeer de ventilatieopeningen niet. Deze ventilatieopeningen zorgen voor de koeling van de motor. Blokkering ervan moet altijd worden voorkomen omdat anders de motor zal doorbranden als gevolg van gebrek aan ventilatie.
 19. Zorg altijd voor een stevige stand en goede lichaamsbalans.
 20. **GEBRUIK HET SNOER NIET VERKEERD.** Draag de stofzuiger nooit aan het netsnoer en geef nooit een ruk aan het netsnoer om zo de stekker uit het stopcontact te trekken. Houd het netsnoer uit de buurt van hitte, olie en scherpe randen. Inspecteer het netsnoer van de stofzuiger regelmatig en indien het beschadigd is, laat u het repareren door een erkende elektrotechnisch reparateur. Inspecteer verlengsknoeren regelmatig en vervang ze indien beschadigd.
 21. U mag de slang niet knikken, eraan trekken of erop gaan staan.
 22. Schakel de stofzuiger onmiddellijk uit als u tijdens gebruik slechte prestaties of iets abnormaals opmerkt.
 23. **KOPPEL DE STOFZUIGER LOS.** wanneer het gereedschap niet in gebruik is, u er onderhoud aan gaat plegen, en u accessoires verwisselt.
 24. Reinig en onderhoud de stofzuiger onmiddellijk na elk gebruik om hem in optimale conditie te houden.
 25. **ONDERHOUD DE STOFZUIGER GOED.** Houd de stofzuiger schoon om beter en veiliger te kunnen werken. Houdt u aan de instructies voor het verwisselen van de accessoires. Houd de handgrepen droog, schoon en vrij van olie en vetten.
 26. **CONTROLEER BESCHADIGDE ONDERDELEN.** Zonder de stofzuiger verder te gebruiken, moet een beschermkap of ander onderdeel dat beschadigd is eerst goed worden onderzocht om te beoordelen of het goed werkt en zijn beoogde functie kan uitvoeren. Controleer of bewegende delen goed uitgelijnd zijn en niet vastgelopen zijn, of onderdelen niet kapot zijn en stevig gemonteerd zijn, en enige andere situatie die van invloed kan zijn op de werking ervan. Een beschermkap of ander onderdeel dat beschadigd is, dient vakkundig te worden gerepareerd of vervangen door een erkend servicecentrum, behalve indien anders aangegeven elders in deze gebruiksaanwijzing. Laat een kapotte schakelaar vervangen door een erkend servicecentrum. Gebruik de stofzuiger niet als hij niet kan worden in- en uitgeschakeld met de schakelaar.
 27. Bij onderhoud door de gebruiker moet het apparaat worden gedemonteerd, gereinigd en onderhouden voor zover dat redelijkerwijs praktisch is zonder dat dit risico's oplevert voor het onderhoudspersoneel en anderen.
 28. Het apparaat moet minimaal jaarlijks worden onderworpen aan een technische inspectie door de fabrikant of een opgeleid persoon, welke dient te bestaan uit, bijvoorbeeld, een inspectie van de filters op beschadigingen, de luchtdichtheid van het apparaat en de juiste werking van het bedieningsmechanisme.
 29. Tijdens het uitvoeren van onderhouds- of reparatiewerkzaamheden moeten alle verontreinigde onderdelen die niet naar tevredenheid kunnen worden schoongemaakt, worden weggegooid. Dergelijke onderdelen moeten worden weggegooid in ondoordringbare zakken conform alle huidige regelgeving voor het weggooiën van dergelijk afval.
 30. **VERVANGINGSONDERDELEN.** Gebruik tijdens reparaties uitsluitend identieke vervangingsonderdelen.

31. **BERG EEN STOFZUIGER DIE NIET WORDT GEBRUIKT VEILIG OP.** Wanneer de stofzuiger niet wordt gebruikt, dient hij binnenshuis te worden opgeborgen.
32. **Natte filters en het binnenste deel van het vloeistofreservoir moeten worden gedroogd voordat ze worden opgeborgen.**
33. **Behandel uw stofzuiger voorzichtig.** Een ruwe behandeling kan leiden tot een defect van zelfs de meest stevig gebouwde stofzuiger.
34. **Probeer niet de buitenkant of binnenkant van de stofzuiger schoon te maken met wasbenzine, thinner of schoonmaakmiddelen.** Hierdoor kunnen barsten en verkleuringen ontstaan.
35. **Gebruik de stofzuiger niet in een afgesloten ruimte waarin brandbare, explosieve of giftige dampen worden afgegeven door verf op olie-basis, thinner, benzine, bepaalde mottenbestrijdingsmiddelen, enz., of op plaatsen waar brandbaar stof aanwezig is.**
36. **Laat het netsnoer van de stofzuiger niet op de vloer slingeren nadat u klaar bent met stofzuigen.** Het kan struikelgevaar opleveren of kan de stofzuiger beschadigen.
37. **Gebruik dit of enig ander gereedschap niet wanneer u onder invloed bent van drugs of alcohol.**
38. **Als basisveiligheidsmaatregel gebruikt u een beschermende bril of veiligheidsbril met zijstukken.**
39. **Gebruik een stofmasker onder stoffige werkomstandigheden.**
40. **Dit apparaat is niet bedoeld voor gebruik door personen, waaronder kinderen, met een verminderd lichamelijk, zintuiglijk of geestelijk vermogen, of gebrek aan kennis en ervaring.**
41. **Kinderen dienen onder toezicht te staan om ervoor te zorgen dat zij niet met de stofzuiger spelen.**
42. **Hanteer het netsnoer en de stofzuiger nooit met natte handen.**
43. **Wees bijzonder voorzichtig tijdens stofzuigen op een trap.**
44. **Gebruik de stofzuiger niet als een kruk of werkbank.** Anders kan het apparaat vallen, waardoor persoonlijk letsel kan worden veroorzaakt.

Gebruik en verzorging van gereedschap dat op een accu werkt

1. **Laad alleen op met de acculader aanbevolen door de fabrikant.** Een acculader die geschikt is voor een bepaald type accu, kan brandgevaar opleveren indien gebruikt met een ander type accu.
2. **Gebruik elektrisch gereedschap uitsluitend met de daarvoor bestemde accu.** Gebruik van andere accu's kan gevaar voor letsel of brandgevaar opleveren.
3. **Als de accu niet wordt gebruikt, houdt u deze uit de buurt van metalen voorwerpen, zoals paperclips, muntgeld, sleutels, spijkers, schroeven en andere kleine metalen voorwerpen die een kortsluiting kunnen veroorzaken tussen de accupolen.** Kortsluiting tussen de accupolen kan leiden tot brandwonden of brand.

4. **Onder zware gebruiksomstandigheden kan vloeistof uit de accu komen. Voorkom aanraking!** Als u er per ongeluk mee in aanraking komt, spoelt u het er met water af. Als de vloeistof in uw ogen komt, raadpleegt u tevens een arts. Vloeistof uit de accu kan irritatie en brandwonden veroorzaken.
5. **Gebruik geen accu of gereedschap dat beschadigd of gewijzigd is.** Beschadigde of gewijzigde accu's kunnen onvoorspelbaar gedrag vertonen dat kan leiden tot brand, explosie of gevaar van letsel.
6. **Stel een accu of gereedschap niet bloot aan vuur of buitensporige temperaturen.** Blootstelling aan vuur of temperaturen hoger dan 130 °C kunnen een explosie veroorzaken.
7. **Volg alle oplaadinstructions en laad de accu of het gereedschap niet op buiten het temperatuurbereik opgegeven in de instructies.** Verkeerd opladen of bij een temperatuur buiten het opgegeven bereik kan de accu beschadigen en de kans op brand vergroten.

BEWAAR DEZE VOORSCHRIFTEN.

WAARSCHUWING:

Laat u NIET misleiden door een vals gevoel van comfort en bekendheid met het gereedschap (na veelvuldig gebruik) en neem alle veiligheidsvoorschriften van het betreffende gereedschap altijd strikt in acht. **VERKEERD GEBRUIK** of het niet naleven van de veiligheidsvoorschriften in deze gebruiksaanwijzing kan leiden tot ernstig letsel.

Belangrijke veiligheidsinstructies voor een accu

ENC007-17

1. **Lees alle voorschriften en waarschuwingen op (1) de acculader, (2) de accu, en (3) het product waarvoor de accu wordt gebruikt, alvorens de accu in gebruik te nemen.**
2. **Haal de accu niet uit elkaar en saboteer hem niet.** Dit kan leiden tot brand, buitensporige hitte of een explosie.
3. **Als de gebruikstijd van een opgeladen accu aanzienlijk korter is geworden, moet u het gebruik ervan onmiddellijk stopzetten.** Voortgezet gebruik kan oververhitting, brandwonden en zelfs een ontploffing veroorzaken.
4. **Als elektrolyt in uw ogen is terechtgekomen, spoelt u uw ogen met schoon water en roept u onmiddellijk de hulp van een dokter in. Elektrolyt in de ogen kan blindheid veroorzaken.**
5. **Voorkom kortsluiting van de accu:**
 - (1) **Raak de accuklemmen nooit aan met een geleidend materiaal.**
 - (2) **Bewaar de accu niet in een bak waarin andere metalen voorwerpen zoals spijkers, munten e.d. worden bewaard.**
 - (3) **Stel de accu niet bloot aan water of regen.** Kortsluiting van de accu kan oorzaak zijn van een grote stroomafgifte, oververhitting, brandwonden, en zelfs defecten.

6. **Bewaar en gebruik het gereedschap en de accu niet op plaatsen waar de temperatuur kan oplopen tot 50 °C of hoger.**
7. **Werp de accu nooit in het vuur, ook niet wanneer hij zwaar beschadigd of volledig versleten is. De accu kan ontploffen in het vuur.**
8. **Laat de accu niet vallen, sla er geen spijker in, snijd er niet in, gooi er niet mee en stoot hem niet tegen een hard voorwerp.** Dergelijke handelingen kunnen leiden tot brand, buitensporige hitte of een explosie.
9. **Gebruik nooit een beschadigde accu.**
10. **De bijgeleverde lithium-ionbatterijen zijn onderhevig aan de vereisten in de wetgeving omtrent gevaarlijke stoffen.**
Voor commercieel transport en dergelijke door derden en transporteurs moeten speciale vereisten ten aanzien van verpakking en etikettering worden nageleefd.
Als voorbereiding van het artikel dat wordt getransporteerd is het noodzakelijk een expert op het gebied van gevaarlijke stoffen te raadplegen. Houd u tevens aan mogelijk strengere nationale regelgeving. Blootliggende contactpunten moeten worden afgedekt met tape en de accu moet zodanig worden verpakt dat deze niet kan bewegen in de verpakking.
11. **Wanneer u de accu wilt weggooiden, verwijdert u de accu vanaf het gereedschap en gooit u hem op een veilige manier weg. Volg bij het weggooiden van de accu de plaatselijke voorschriften.**
12. **Gebruik de accu's uitsluitend met de gereedschappen die door Makita zijn aanbevolen.** Als de accu's worden aangebracht in niet-compatibele gereedschappen, kan dat leiden tot brand, buitensporige warmteontwikkeling, een explosie of lekkage van elektrolyt.
13. **Als u het gereedschap gedurende een lange tijd niet denkt te gaan gebruiken, moet de accu vanaf het gereedschap worden verwijderd.**
14. **Tijdens en na gebruik, kan de accu heet worden waardoor brandwonden of koude brandwonden kunnen worden veroorzaakt. Wees voorzichtig bij het hanteren van een hete accu.**
15. **Raak de aansluitpunten van het gereedschap niet onmiddellijk na gebruik aan omdat deze heet genoeg kunnen zijn om brandwonden te veroorzaken.**
16. **Zorg ervoor dat geen steenslag, stof of grond vast komt te zitten op/in de aansluitpunten, openingen en groeven van de accu.** Hierdoor kan oververhitting, brand, een barst en een storing in het gereedschap of de accu ontstaan waardoor brandwonden of persoonlijk letsel kunnen ontstaan.
17. **Behalve indien gebruik van het gereedschap is toegestaan in de buurt van hoogspanningsleidingen, mag u de accu niet gebruiken in de buurt van een hoogspanningsleiding.** Dit kan leiden tot een storing of een defect van het gereedschap of de accu.
18. **Houd de accu uit de buurt van kinderen.**

BEWAAR DEZE INSTRUCTIES.

⚠ LET OP: Gebruik uitsluitend originele Makita accu's. Het gebruik van niet-originele accu's, of accu's die zijn gewijzigd, kan ertoe leiden dat de accu ontploft en brand, persoonlijk letsel en schade veroorzaakt. Ook vervalt daarmee de garantie van Makita op het gereedschap en de lader van Makita.

Tips voor een maximale levensduur van de accu

1. **Laad de accu op voordat hij volledig ontladen is. Stop het gebruik van het gereedschap en laad de accu op telkens wanneer u vaststelt dat het vermogen van het gereedschap is afgenomen.**
2. **Laad een volledig opgeladen accu nooit opnieuw op. Te lang opladen verkort de levensduur van de accu.**
3. **Laad de accu op bij een omgevingstemperatuur tussen 10 °C en 40 °C. Laat een warme accu afkoelen alvorens hem op te laden.**
4. **Als de accu niet wordt gebruikt, verwijdert u hem vanaf het gereedschap of de lader.**
5. **Laad de accu op als u deze gedurende een lange tijd (meer dan zes maanden) niet gaat gebruiken.**

BESCHRIJVING VAN DE FUNCTIES

Gebruik op netstroom:

⚠ WAARSCHUWING:

- **Alvorens de stekker van de stofzuiger in het stopcontact te steken, controleert u altijd of de stofzuiger uitgeschakeld is.** Als u de stekker in het stopcontact steekt terwijl de stofzuiger ingeschakeld is, kan de stofzuiger onverwachts starten waardoor ernstig persoonlijk letsel kan ontstaan.
Steek de stekker in een stopcontact (zie afb. 1).
De netsroomindicator brandt wanneer de standby-schakelaar in stand "I" staat (zie afb. 2).

OPMERKING:

- Ook wanneer het gereedschap wordt gebruikt in de gelijkstroommodus, wordt het automatisch omgeschakeld naar de wisselstroommodus zodra de stekker in het stopcontact wordt gestoken.
- Als de stekker tijdens gebruik uit het stopcontact wordt getrokken terwijl de accu's in het gereedschap zijn aangebracht, wordt de stofzuiger in de standby-stand gezet.

Gebruik op accu's:

De accu aanbrengen of verwijderen

⚠ LET OP:

- Zorg er voor dat de stofzuiger is uitgeschakeld, de stekker uit het stopcontact is getrokken en de accu is verwijderd voordat u de werking van het gereedschap aanpast of controleert.
- **Houd de stofzuiger en de accu stevig vast tijdens het aanbrengen of verwijderen van de accu.** Als u de stofzuiger en de accu niet stevig vasthoudt, kunnen

deze uit uw handen glippen en de stofzuiger of de accu beschadigen, of kan persoonlijk letsel worden veroorzaakt.

- **Let er bij het openen en sluiten van het accudeksel op dat uw vingers niet ertussen komen.** Als u dat niet doet, kan dit leiden tot persoonlijk letsel.

Om de accu aan te brengen, ontgrendelt u eerst de vergrendeling en opent u het accudeksel. Vervolgens brengt u de accu aan (zie afb. 3).

Lijn de lip op de accu uit met de groef in de behuizing en duw de accu op zijn plaats. Steek de accu zo ver mogelijk erin tot u een klikgeluid hoort. Vergrendel daarna het accudeksel (zie afb. 4).

Om de accu te verwijderen verschuift u de knop aan de voorkant van de accu en schuift u tegelijkertijd de accu eraf.

KENNISGEVING:

- Trek de stekker van het netsnoer van de stofzuiger uit het verlengsnoer wanneer u de stofzuiger op de accu's gebruikt.

⚠ LET OP:

- Breng de accu altijd helemaal op zijn plaats aan. Als u dit niet doet, kan de accu per ongeluk uit het gereedschap vallen en letsel veroorzaken bij u of anderen in uw omgeving.
- Breng de accu niet met kracht aan. Als de accu niet gemakkelijk erin kan worden geschoven, wordt deze niet goed aangebracht.

OPMERKING:

- De stofzuiger werkt niet als slechts één accu is aangebracht.


Gereedschap-/accubeveiligingssysteem

Het gereedschap is uitgerust met een gereedschap-/accubeveiligingssysteem. Dit systeem schakelt automatisch de voeding naar de motor uit om de levensduur van het gereedschap en de accu te verlengen. Het gereedschap zal tijdens gebruik automatisch stoppen wanneer het gereedschap of de accu zich in een van de volgende omstandigheden bevindt: Onder bepaalde omstandigheden gaan de indicatorlampjes branden.

Overbelastingsbeveiliging

Als het gereedschap overbelast wordt, stopt het gereedschap automatisch. Schakel in die situatie het gereedschap uit en stop het gebruik dat ertoe leidde dat het gereedschap overbelast werd. Schakel daarna het gereedschap in om het weer te starten.

Oververhittingsbeveiliging voor het gereedschap

■ : Aan	▣ : Knippert
	

015485

Wanneer het gereedschap oververhit is, stopt het gereedschap automatisch en knippert het accu-indicatorlampje gedurende ongeveer 60 seconden. In die situatie laat u het gereedschap eerst afkoelen voordat u het gereedschap opnieuw inschakelt.



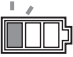
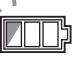
Beveiliging tegen te ver ontladen

Als de acculading laag is, stopt het gereedschap automatisch. Als het gereedschap niet werkt, ook niet wanneer de schakelaars worden bediend, verwijdt u de accu's vanaf het gereedschap en laadt u de accu's op.

Accu-indicatorlampjes voor resterende acculading (zie afb. 5 en 6)

Druk op de testknop zodat de accu-indicatorlampjes de resterende acculading aangeven. De accu-indicatorlampjes geven per accu de resterende acculading aan.

Accu-indicatorlampjes voor resterende acculading

Toestand van accu-indicator			Resterende acculading
■ : Aan	□ : Uit	▣ : Knippert	
			50% tot 100%
			20% tot 50%
			0% tot 20%
			Laad de accu op

015527

Aanduiding van de resterende acculading

Alleen voor accu's met de indicator (zie afb. 7)

Druk op de testknop op de accu om de resterende accucapaciteit af te lezen. De indicatorlampjes branden gedurende enkele seconden.

Indicatorlampjes			Resterende acculading
■ Brandt	□ Uit	▣ Knippert	
■ ■ ■ ■			75% tot 100%
■ ■ ■ □			50% tot 75%
■ ■ □ □			25% tot 50%
■ □ □ □			0% tot 25%
▣ □ □ □			Laad de accu op.
■ ■ □ □	↑ □ □	↓ ■ ■	Er kan een storing in de accu zijn opgetreden.

015658

OPMERKING:

- Afhankelijk van de gebruiksomstandigheden en de omgevingstemperatuur, is het mogelijk dat de

aangegeven acculading verschilt van de werkelijke acculading.

In- en uitschakelen (zie afb. 8)

Om de stofzuiger in te schakelen:

1. Zet de standby-schakelaar in de stand "I". De stofzuiger wordt in de standby-stand gezet.
2. Druk op de aan-uitknop.

Om de stofzuiger weer in de standby-stand te zetten, drukt u nogmaals op de aan-uitknop.

Om de stofzuiger uit te schakelen, zet u de standby-schakelaar in de stand "O".

De zuigkracht kan worden ingesteld aan de hand van de vereisten van uw werkzaamheden.

De zuigkracht kan worden verhoogd door de zuigkrachttinstelknop te draaien van het symbool ↻ naar het symbool ↻.

KENNISGEVING:

- Zet de standby-schakelaar altijd in de stand "O" wanneer u de stofzuiger gedurende een lange tijd niet gebruikt. De stofzuiger verbruikt nog steeds stroom in de standby-stand.

Automatisch stoppen met zuigen tijdens nat zuigen (voor het model met doekfilter)

⚠ WAARSCHUWING:

- **Niet langdurig gebruiken terwijl de vlotter in werking is getreden.** Als u de stofzuiger langdurig gebruikt terwijl de vlotter in werking is getreden, kan oververhitting optreden waardoor de stofzuiger vervormd kan raken.
- **Geen schuim of zeepoplossingen opzuigen.** Door schuim of zeepoplossingen op te zuigen, kan er schuim uit de luchtuitlaat komen voordat de vlotter in werking treedt. Voortdurend gebruik onder deze omstandigheden, kan leiden tot een elektrische schok en het defect raken van de stofzuiger.

Automatisch stoppen met zuigen werkt alleen bij gebruik van de vlotter en vlotterkooi.

De stofzuiger heeft een vlottermechanisme dat voorkomt dat water doorstroomt naar de motor wanneer meer dan een bepaalde hoeveelheid water wordt opgezogen.

Wanneer de tank vol is en de stofzuiger geen water meer opzuigt, schakelt u de stofzuiger uit en maakt u de tank leeg.

Het wieltje vergrendelen en ontgrendelen (zie afb. 9)

Om het wieltje te vergrendelen, drukt u de wielvergrendeling omlaag zodat het wieltje niet meer kan draaien. Om het wieltje te ontgrendelen, trekt u de wielvergrendeling omhoog.

Het wieltje vergrendelen is handig bij het opbergen van de stofzuiger, tijdens het halverwege stoppen van de werkzaamheden en het stil laten staan van de stofzuiger. Bedien de wielvergrendeling met de hand.

OPMERKING:

- Zorg er bij het verplaatsen van de stofzuiger voor dat het wieltje ontgrendeld is. Als u de stofzuiger verplaatst terwijl het wieltje vergrendeld is, kan het wieltje beschadigd raken.

Draaghandvat (zie afb. 10)

Als u de stofzuiger draagt, draagt u deze aan het handvat op de bovenkant van het tankdeksel. Het handvat kan in de bovenkant van het tankdeksel worden geklapt wanneer het niet wordt gebruikt.

BESCHRIJVING VAN DE ONDERDELEN

Model DVC860L

(Model met doekfilter (voor droog en nat stof)) (zie afb. 11)

Model DVC861L

(Model met poederfilter (voor droog stof)) (zie afb. 12)

DE ONDERDELEN MONTEREN

⚠ LET OP:

- Zorg er altijd voor dat de stofzuiger is uitgeschakeld, de stekker uit het stopcontact is getrokken en de accu is verwijderd alvorens enige werkzaamheden aan de stofzuiger uit te voeren.
- Draag altijd een stofmasker tijdens montage onderhoud.

Het poederfilter (HEPA) en voorfilter aanbrengen (voor droog stof) (zie afb. 13 en 14)

Optioneel accessoire voor het model met doekfilter

⚠ LET OP:

- Zuig nooit water of andere vloeistoffen of nat stof op wanneer het poederfilter is aangebracht. Door dergelijke materialen op te zuigen, kan het poederfilter scheuren.

Om het poederfilter te gebruiken, verwijdert u de vlotterkooi en de vlotter door de bouten te verwijderen.

Plaats het voorfilter in de tank.

Plaats vervolgens de demper om het poederfilter en plaats deze vervolgens in het voorfilter.

Bij het aanbrengen van het poederfilter en voorfilter, lijnt u de markering voor de plaatsingspositie van elk uit met die langs de bovenrand van de tank.

Breng tenslotte het tankdeksel aan en vergrendel hem.

OPMERKING:

- Alvorens het poederfilter te gebruiken, zorgt u er voor dat het voorfilter en de demper altijd tezamen worden gebruikt. Het is niet toegestaan om alleen het poederfilter te gebruiken.

Het waterfilter (voor het model met doekfilter) aanbrengen (optioneel accessoire)

⚠ LET OP:

- Zuig nooit water of nat stof op zonder dat de vlotter en het doekfilter of het waterfilter zijn aangebracht.
- Voor het opzuigen van nat stof zorgt u ervoor dat de vlotterkooi en de vlotter zijn aangebracht in de stofzuiger.

- Bij het aanbrengen van het waterfilter in de tank, plaatst u het waterfilter strak in de opening van de tank door de haak op het waterfilter stevig te laten aangrijpen in de tankopening zodat er geen ruimte zit tussen het waterfilter en de tank.

KENNISGEVING:

- Wij adviseren u het waterfilter te gebruiken wanneer herhaaldelijk een grote hoeveelheid water wordt opgezogen. Als u een doekfilter gebruikt, kan het vacuümvermogen worden verlaagd.

Om alleen water of nat stof op te zuigen, is het waterfilter beter geschikt dan het doekfilter.

Lijn bij het aanbrengen van het waterfilter zijn markering voor de plaatsingspositie uit met die op de tank (zie afb. 15).

De papieren stofzak aanbrengen (optioneel accessoire)

⚠ WAARSCHUWING:

- Bij gebruik van een papieren stofzak, gebruikt u tevens het doekfilter of voorfilter tezamen dat af-fabriek in het gereedschap is aangebracht. Als u het doekfilter/voorfilter niet tezamen gebruikt, kunnen abnormaal geluid en warmte worden veroorzaakt, waardoor brand kan ontstaan.

⚠ LET OP:

(Voor het model met doekfilter)

- Zuig nooit water of andere vloeistoffen of nat stof op wanneer het papieren stofzak is aangebracht. Door dergelijke materialen op te zuigen, kan de papieren stofzak scheuren.
- Alvorens de papieren stofzak te gebruiken, zorgt u er voor dat het poederfilter (optioneel accessoire), de demper (optioneel accessoire) en het voorfilter altijd tezamen worden gebruikt.

(Voor het model met poederfilter)

- Alvorens de papieren stofzak te gebruiken, zorgt u er voor dat het poederfilter, de demper en het voorfilter altijd tezamen worden gebruikt.
1. Verwijder de rubberen houder (zie afb. 16).
 2. Trek de papieren stofzak uit.
 3. Lijn de opening van de papieren stofzak uit met de zuigopening van de stofzuiger.
 4. Steek het kartonnen deel van de papieren stofzak zodanig in de houder dat het aan het uiteinde zit, voorbij het uitsteeksel (zie afb. 17).

De polyethyleenzak aanbrengen

De stofzuiger kan ook worden gebruikt met een polyethyleenzak. Door het gebruik van een polyethyleenzak is het gemakkelijker de tank te legen zonder uw handen vuil te maken.

Spreid de polyethyleenzak uit in de binnenkant van de tank. Steek de rand van de polyethyleenzak tussen de houderplaat en de wand van de tank en trek hem rond de inlaatopening van de slang.

Spreid de polyethyleenzak rond de bovenrand van de tank zodat de rand van het voorfilter kan aangrijpen en de zak stevig kan vergrendelen (zie afb. 18).

OPMERKING:

- Een polyethyleenzak die in de winkel verkrijgbaar is, kan worden gebruikt. Een polyethyleenzak van 0,04 mm of dikker wordt aanbevolen.
- Door te veel stof kan de polyethyleenzak gemakkelijk scheuren, dus vul de zak niet tot meer dan de helft van zijn maximale inhoud.

De polyethyleenzak legen

⚠ WAARSCHUWING:

- Zorg er altijd voor dat de stofzuiger is uitgeschakeld en de stekker uit het stopcontact is getrokken alvorens de polyethyleenzak te legen. Als u dat niet doet, kan een elektrische schok en ernstig persoonlijk letsel worden veroorzaakt.

⚠ LET OP:

- Stel de vlotterkooi en de tank niet bloot aan sterke stoten. Sterk stoten kan leiden tot vervormingen en beschadigingen van de onderdelen.
- Leeg de tank ten minste eenmaal per dag, afhankelijk van de hoeveelheid opgezogen stof in de tank. Anders zal de zuigkracht afnemen en kan de motor kapot gaan.
- Pak niet de haak beet wanneer u de tank wilt legen. Als u de haak beetpakt kan de haak afbreken.

Ontgrendel en open het tankdeksel.

Schud het stof van het doekfilter/poederfilter af en haal vervolgens de polyethyleenzak uit de tank (zie afb. 19).

OPMERKING:

- Haal bij het legen de polyethyleenzak voorzichtig uit de tank zodat de polyethyleenzak niet kan vasthaken achter de uitsteeksel binnenin de tank.
- Leeg de polyethyleenzak voordat deze vol raakt. Te veel stof in de tank kan ertoe leiden dat de polyethyleenzak scheurt.

De gereedschapsbak aanbrengen

1. Ontgrendel de vergrendeling van het accudeksel en open het accudeksel.
2. Plaats de rails van de gereedschapsbak in de groeven van de behuizing (zie afb. 20).
3. Sluit het accudeksel en vergrendel het.

De gereedschapsbak is handig voor het opbergen van accu's, verlengsnoer, buis en zuigmonden (zie afb. 21).

De slang aansluiten

⚠ LET OP:

- Buig de slang niet sterk en ga er niet op staan. Verplaats de stofzuiger nooit door aan de slang te trekken. De slang sterk buigen, erop staan en eraan trekken kan ertoe leiden dat de slang kapot gaat of vervormd raakt.
- Bij het opzuigen van groot afval, zoals houtkrullen, betonstukjes en dergelijke anders dan klein afval, gebruikt u de slang met een binnendiameter van 38 mm (optioneel accessoire). Bij gebruik van de slang met een binnendiameter van 28 mm (optioneel accessoire) kan de slang verstopt en beschadigd raken.

Steek de slang in de slangaansluitopening van de tank en draai hem rechtsom tot hij wordt vergrendeld (zie afb. 22).

ONDERHOUD

LET OP:

- Zorg er altijd voor dat de stofzuiger is uitgeschakeld, de stekker uit het stopcontact is getrokken en de accu is verwijderd alvorens inspecties of werkzaamheden uit te voeren.

Het netsnoer opbergen (zie afb. 23)

U kunt het netsnoer om de gereedschapsbak wikkelen.

De accessoires opbergen (zie afb. 24)

De buizen kunnen op de buishouder worden gestoken wanneer u de stofzuiger een korte tijd niet gebruikt (zie afb. 25).

De slang kan rondom het gereedschap worden gewikkeld door de uiteinden in elkaar te steken (zie afb. 26).

Schoonmaken

LET OP:

- Gebruik nooit benzine, wasbenzine, thinner, alcohol, enz. Dit kan leiden tot verkleuren, vervormen of barsten.

Het doekfilter schoonmaken

Alleen voor het model met doekfilter

Een verstopt doekfilter veroorzaakt een slechte zuigwerking.

Maak het doekfilter regelmatig schoon.

Om stof en deeltjes die zich aan het doekfilter hechten te verwijderen, schudt u de onderrand van het frame enkele keren snel heen en weer (zie afb. 27).

Het poederfilter (HEPA) en voorfilter schoonmaken

Alleen voor het model met poederfilter

Een verstopt poederfilter, demper en voorfilter leiden tot een slechte zuigwerking.

Maak de filters en de demper regelmatig schoon.

Om stof en deeltjes die zich aan de filters hechten te verwijderen, schudt u de onderrand van de filters enkele keren snel heen en weer.

Was het poederfilter af en toe in water, spoel schoon en droog grondig in de schaduw alvorens het weer te gebruiken. Was de filters nooit in een wasmachine (zie afb. 28).

OPMERKING:

- Wrijf en kras niet met harde voorwerpen, zoals een borstel of een spatel, over het poederfilter, het voorfilter of de demper.
- De filters verslijten na verloop van tijd. Wij adviseren u altijd reservefilters bij de hand te houden.

Om de VEILIGHEID en BETROUWBAARHEID van het gereedschap te handhaven, dienen alle reparaties, onderhoud en afstellingen te worden uitgevoerd door een erkend Makita-servicecentrum, en altijd met gebruikmaking van originele Makita-ervangingsonderdelen.

VERKRIJGBARE ACCESSOIRES

LET OP:

- Deze accessoires of hulpstukken worden aanbevolen voor gebruik met het Makita-gereedschap dat in deze gebruiksaanwijzing wordt beschreven. Het gebruik van andere accessoires of hulpstukken kan gevaar voor persoonlijk letsel opleveren. Gebruik de accessoires of hulpstukken uitsluitend voor de aangegeven gebruiksdoeleinden.

Mocht u meer informatie willen hebben over deze accessoires, dan kunt u contact opnemen met uw plaatselijke Makita-servicecentrum.

- Originele Makita-accu en -lader
- Slang
- Aansluitmonden (22, 24 of 38)
- Rechte buis
- Hoekmondstuk
- Ronde borstel
- Poederfilter, HEPA (voor droog stof)
- Demper
- Voorfilter
- Mondstuk, compleet
- Gebogen buis
- Polyethyleenzak
- Waterfilter (optie voor het model met doekfilter)
- Papieren stofzak
- Houderzet

OPMERKING:

- Sommige items op de lijst kunnen zijn inbegrepen in de doos van het gereedschap als standaard toebehoren. Zij kunnen van land tot land verschillen.

Geluid

ENG905-1

De typische, A-gewogen geluidsniveaus zijn gemeten volgens IEC60335-2-69:

Geluidsdrukniveau (L_{pA}): 75 dB (A)

Onzekerheid (K): 2,5 dB (A)

Het geluidsniveau kan tijdens gebruik hoger worden dan 80 dB (A).

ENG907-1

- De opgegeven geluidsemisiewaarde(n) is/zijn gemeten volgens een standaardtestmethode en kan/kunnen worden gebruikt om dit gereedschap te vergelijken met andere gereedschappen.
- De opgegeven geluidsemisiewaarde(n) kan/kunnen ook worden gebruikt voor een beoordeling vooraf van de blootstelling.

WAARSCHUWING:

- **Draag gehoorbescherming.**
- **De geluidsemisie tijdens het gebruik van het elektrisch gereedschap in de praktijk kan verschillen van de opgegeven waarde(n) afhankelijk van de manier waarop het gereedschap wordt gebruikt, met name van het soort werkstuk waarmee wordt gewerkt.**
- **Zorg ervoor dat veiligheidsmaatregelen worden getroffen ter bescherming van de gebruiker die zijn gebaseerd op een schatting van de blootstelling onder praktijkomstandigheden (rekening houdend met alle fasen van de bedrijfscyclus, zoals de tijdsduur gedurende welke het gereedschap is**

**uitgeschakeld en stationair draait, naast de
ingeschakelde tijdsduur).**

Trillingen

ENG900-1

De totale trillingswaarde (triaxiale vectorsom) zoals
vastgesteld volgens IEC 60335-2-69:

Trillingsemmissie (a_h): 2,5 m/s² of lager

Onzekerheid (K): 1,5 m/s²

ENG901-2

- De totale trillingswaarde(n) is/zijn gemeten volgens een standaardtestmethode en kan/kunnen worden gebruikt om dit gereedschap te vergelijken met andere gereedschappen.
- De opgegeven totale trillingswaarde(n) kan/kunnen ook worden gebruikt voor een beoordeling vooraf van de blootstelling.

 WAARSCHUWING:

- **De trillingsemmissie tijdens het gebruik van het elektrisch gereedschap in de praktijk kan verschillen van de opgegeven waarde(n) afhankelijk van de manier waarop het gereedschap wordt gebruikt, met name van het soort werkstuk waarmee wordt gewerkt.**
- **Zorg ervoor dat veiligheidsmaatregelen worden getroffen ter bescherming van de gebruiker die zijn gebaseerd op een schatting van de blootstelling onder praktijkomstandigheden (rekening houdend met alle fasen van de bedrijfscyclus, zoals de tijdsduur gedurende welke het gereedschap is uitgeschakeld en stationair draait, naast de ingeschakelde tijdsduur).**

EG-verklaring van conformiteit

Alleen voor Europese landen

De EG-verklaring van conformiteit is bijgevoegd als
Bijlage A bij deze gebruiksaanwijzing.

ESPAÑOL (Instrucciones originales)

ADVERTENCIA

- Esta máquina no ha sido prevista para ser utilizada por personas (incluidos niños) con capacidades físicas, sensoriales o mentales reducidas, o falta de experiencia y conocimiento.
- Los niños pequeños deberán ser supervisados para asegurarse de que no juegan con la aspiradora.
- Si el cable suministrado se daña, deberá ser reemplazado en un taller de servicio autorizado.
- Consulte el capítulo "ESPECIFICACIONES" para ver la referencia del tipo de batería.
- Consulte la sección "Instalación o extracción del cartucho de batería" para ver cómo retirar o instalar la batería.
- Para desechar el cartucho de batería, retírelo de la herramienta y deséchelo en un lugar seguro. Siga los reglamentos locales referentes al desecho de la batería.
- Si la herramienta no va a ser utilizada durante un periodo de tiempo largo, la batería deberá ser retirada de la herramienta.
- No cortocircuite el cartucho de batería.
- Consulte el capítulo "MANTENIMIENTO" para ver los detalles apropiados de las precauciones durante el mantenimiento hecho por el usuario.

Explicación de los dibujos

- | | | |
|--|---|----------------------------------|
| 1. Enchufe (la forma y la longitud del cable pueden diferir de un país a otro) | 10. Mando de ajuste de la fuerza de succión | 20. Filtro de polvo (HEPA) |
| 2. Indicador de alimentación CA | 11. Rueda | 21. Amortiguador |
| 3. Mecanismo de bloqueo | 12. Palanca de bloqueo | 22. Filtro previo |
| 4. Cubierta de la batería | 13. Posición libre | 23. Marca de posición de montaje |
| 5. Cartucho de la batería | 14. Posición de bloqueo | 24. Filtro de agua |
| 6. Botón de comprobación | 15. Cubierta del depósito | 25. Soporte de goma |
| 7. Luces indicadoras | 16. Flotador | 26. Bolsa de papel |
| 8. Interruptor de espera | 17. Cuba del flotador | 27. Soporte |
| 9. Botón de encendido | 18. Filtro de tela | 28. Placa de soporte |
| | 19. Depósito | 29. Bolsa de polietileno |

ESPECIFICACIONES

Modelo		DVC860L	DVC861L
Tipo de filtro estándar		Filtro de tela (para polvo seco y húmedo)	Filtro de polvo (para polvo seco)
Flujo de volumen (aire)	Funcionamiento con CC (con BL1830, manguera de $\varnothing 38$ mm x 2,5 m)	2,1 m ³ /min	
	Funcionamiento con CA (con manguera de $\varnothing 38$ mm x 2,5 m)	3,6 m ³ /min	
Vacío	Funcionamiento con CC (con BL1830, manguera de $\varnothing 38$ mm x 2,5 m)	90 hPa	
	Funcionamiento con CA (con manguera de $\varnothing 38$ mm x 2,5 m)	240 hPa	
Capacidad de recuperación	Polvo	8 L	
	Agua	6 L	–
Dimensiones (Largo x Ancho x Alto)		366 mm x 334 mm x 368 mm	
Potencias eléctricas funcionando con CA		Depende del país. Consulte la placa de características.	
Tensión nominal (funcionamiento con baterías)		36 V CC	
Peso neto		8,6 - 9,2 kg	9,3 - 9,9 kg
Grado de protección		IPX4	
Clase de seguridad		□/II	

- Debido a nuestro programa continuo de investigación y desarrollo, las especificaciones aquí descritas están sujetas a cambios sin previo aviso.
- Las especificaciones y el cartucho de batería pueden diferir de país a país.
- El peso no incluye accesorios excepto el cartucho(s) de batería. El peso de las combinaciones menos pesada y más pesada del aparato y cartucho(s) de batería se muestra en la tabla.
- Para polvo húmedo se requieren el flotador y el filtro de agua o el filtro de tela.

Cargador y cartucho de la batería aplicable

Cartucho de la batería	BL1815N/BL1820B/BL1830B/BL1840B/BL1850B/BL1860B
Cargador	DC18RC/DC18RD/DC18RE/DC18SD/DC18SE/DC18SF/DC18SH

- Es posible que algunos de los cartuchos de la batería y los cargadores que se muestran más arriba no estén disponibles, en función de su región de residencia.

ADVERTENCIA:

- **Utilice solo los cartuchos de la batería y los cargadores que se muestran más arriba.** El uso de cualquier otro cartucho de la batería y otros cargadores puede crear un riesgo de lesiones y/o incendio.

Símbolos

END118-1

A continuación se muestran los símbolos que pueden ser utilizados para el equipo. Asegúrese de que entiende su significado antes de utilizar.



..... Lea el manual de instrucciones.



..... Preste especial cuidado y atención.



..... ¡Advertencia! La aspiradora puede contener polvo peligroso.



..... Nunca se suba a la aspiradora.



..... Clase de polvo L (ligero). Las aspiradoras pueden recoger polvo de clase L.
Siga las normativas de su país relativas a polvo y salud y seguridad laboral.



..... DOBLE AISLAMIENTO



..... Sólo para países de la Unión Europea
Debido a la presencia de componentes peligrosos en el equipo, el equipo eléctrico y electrónico, los acumuladores y las baterías desechados pueden tener un impacto negativo para el medioambiente y la salud humana.
¡No tire los aparatos eléctricos y electrónicos ni las baterías junto con los residuos domésticos!
De conformidad con las Directivas Europeas sobre residuos de aparatos eléctricos y electrónicos y sobre acumuladores y baterías y residuos de acumuladores y baterías, así como la adaptación de las mismas a la ley nacional, el equipo eléctrico, las baterías y los acumuladores desechados deberán ser almacenados por separado y trasladados a un punto distinto de recogida de desechos municipales, que cumpla con los reglamentos sobre protección medioambiental.
Esto se indica mediante el símbolo de cubo de basura tachado colocado en el equipo.

Uso previsto

ENE084-1

La herramienta es apropiada para uso comercial, por ejemplo, en hoteles, escuelas, hospitales, fábricas, tiendas, oficinas y negocios de alquiler.

DVC860L

La herramienta ha sido prevista para recoger tanto polvo seco como mojado.

DVC861L

La herramienta ha sido prevista para recoger polvo seco solamente.


Alimentación

ENF002-2

La herramienta debe conectarse solamente a una fuente de alimentación de la misma tensión que la indicada en la placa de características, y sólo puede funcionar con corriente alterna monofásica. La herramienta cuenta con un doble aislamiento y puede, por lo tanto, usarse también en tomacorrientes sin conductor de tierra.

Advertencias de seguridad para la aspiradora alámbrica / inalámbrica

ENB124-5

 **ADVERTENCIA: ¡IMPORTANTE! LEA CON ATENCIÓN todas las advertencias de seguridad y todas las instrucciones ANTES DE UTILIZAR.** No seguir las advertencias e instrucciones puede resultar en una descarga eléctrica, un incendio y/o heridas graves.

1. **Antes de utilizar, asegúrese de que esta aspiradora sea utilizada por personas que han sido instruidas adecuadamente sobre cómo usar esta aspiradora.**
2. **Antes de utilizar, a los operarios se les deberá proveer información, instrucciones y adiestramiento para la utilización de la máquina y las sustancias para las que se va a utilizar, incluyendo el método seguro de remoción y desecho del material recogido.**
3. **Si emerge espuma/líquido, apague inmediatamente.**
4. **Limpie el dispositivo de limitación del nivel de agua regularmente y examínelo por si hay señales de daños.**
5. **No utilice la aspiradora sin el filtro. Reemplace un filtro dañado inmediatamente.**
6. **UTILIZACIÓN DE CABLE DE EXTENSIÓN.** Cuando utilice un cable de extensión debido a la gran distancia hasta la fuente de alimentación, intente utilizar un cable que sea suficientemente grueso pero no demasiado largo, o de lo contrario el rendimiento de la aspiradora se verá afectado adversamente. Para aplicaciones en exteriores

utilice un cable de extensión apropiado para uso en exteriores.

7. **ADVERTENCIA SOBRE LA TENSIÓN:** Antes de conectar la aspiradora a una fuente de alimentación (enchufe, toma de corriente, etc.), asegúrese de que la tensión suministrada es la misma que la especificada en la placa de características de la aspiradora. Una fuente de alimentación con una tensión mayor que la especificada para la aspiradora puede resultar en **HERIDAS GRAVES** al operario, así como también daños a la aspiradora. Si tiene dudas, **NO ENCHUFE LA ASPIRADORA**. La utilización de una fuente de alimentación con una tensión menor que la nominal indicada en la placa de características es perjudicial para el motor.
8. **EVITE UNA PUESTA EN MARCHA INVOLUNTARIA.** Asegúrese de que el interruptor está desactivado cuando vaya a enchufar.
9. No intente recoger materiales inflamables, fuegos de artificio, cigarrillos encendidos, cenizas calientes, virutas metálicas calientes, materiales cortantes como cuchillas de afeitar, agujas, cristales rotos o similares.
10. **NO UTILICE NUNCA LA ASPIRADORA CERCA DE GASOLINA, GAS, PINTURA, ADHESIVOS U OTRAS SUSTANCIAS ALTAMENTE EXPLOSIVAS.** El interruptor emite chispas cuando se activa y desactiva. Y también lo hace el conmutador del motor durante la operación. Puede resultar en una peligrosa explosión.
11. Nunca aspire materiales tóxicos, cancerígenos, combustibles u otros materiales peligrosos como asbestos, arsénico, bario, berilio, plomo, pesticidas, u otros materiales que puedan poner en peligro la salud.
12. Ponga siempre la aspiradora sobre una superficie horizontal plana para evitar que se caiga o se mueva accidentalmente.
13. No utilice nunca la aspiradora en exteriores bajo la lluvia.
14. Para Finlandia, esta máquina no es para ser usada en exteriores con temperatura baja.
15. No utilice cerca de fuentes de calor (estufas, etc.).
16. Si el aire expulsado es devuelto a la habitación, será necesario proveer un régimen adecuado de cambio de aire en la habitación. Consultar las normativas nacionales es necesario.
17. **PROTÉJASE CONTRA LAS DESCARGAS ELÉCTRICAS.** Evite el contacto de su cuerpo con superficies conectadas a tierra. Por ejemplo; tuberías, radiadores, hornos, cerramientos de refrigeradores.
18. No bloquee las aberturas de enfriamiento. Estas aberturas permite el enfriamiento del motor. Deberá evitarse con cuidado que no se bloqueen, de lo contrario el motor se quemará por falta de ventilación.
19. Mantenga los pies sobre suelo firme y el equilibrio en todo momento.
20. **NO HAGA MAL USO DEL CABLE.** No transporte nunca la aspiradora tirando del cable ni tire de él con fuerza para desconectarlo del enchufe. Mantenga el cable alejado de calor, aceite, y bordes cortantes. Inspeccione los cables de la aspiradora periódicamente y si están dañados, pida a un taller de servicio autorizado que se los reparen. Inspeccione los cables de extensión periódicamente y reemplácelos si están dañados.
21. No doble, pise o tire con fuerza de la manguera.
22. Detenga la aspiradora inmediatamente si nota un mal rendimiento o algo anormal durante la operación.
23. **DESCONECTE LA ASPIRADORA.** Cuando no esté siendo utilizada, antes de realizar mantenimiento, y cuando cambie accesorios.
24. Limpie y haga el mantenimiento a la aspiradora inmediatamente después de cada utilización para mantenerla en las mejores condiciones de operación.
25. **MANTENGA LA ASPIRADORA CON CUIDADO.** Mantenga la aspiradora limpia para obtener un mejor y más seguro rendimiento. Siga las instrucciones cuando cambie accesorios. Mantenga los asideros secos, limpios y libres de aceite y grasa.
26. **COMPRUEBE LAS PARTES DAÑADAS.** Antes de seguir utilizando la aspiradora, un protector o cualquier otra parte que se haya dañado deberá inspeccionarse cuidadosamente para determinar que funcionará debidamente y que realizará la función para la que ha sido previsto. Compruebe la alineación de las partes móviles, la unión de las partes móviles, rotura de partes, montaje, y cualquier otra condición que pueda afectar a su operación. Un protector o cualquier otra parte que se haya dañado deberá repararse o reemplazarse debidamente en un centro de servicio autorizado a menos que se indique otra cosa en algún otro sitio en este manual de instrucciones. Pida a un centro de servicio autorizado que le reemplacen los interruptores defectuosos. No utilice la aspiradora si el interruptor no la enciende y apaga.
27. Para el servicio hecho por el usuario, hay que desmontar, limpiar y hacer el servicio a la máquina, hasta el punto que sea razonablemente factible, sin causar riesgo al personal de mantenimiento ni a otros.
28. La máquina deberá ser inspeccionada técnicamente por el fabricante, o una persona adiestrada, al menos una vez al año, consistiendo en, por ejemplo, inspección de los filtros por si están dañados, hermeticidad de la máquina y funcionamiento apropiado del mecanismo de control.
29. Cuando realice operaciones de servicio de mantenimiento o reparación, todos los elementos contaminados que no se puedan limpiar satisfactoriamente deberán ser desechados; tales elementos deberán ser desechados en bolsas impenetrables de acuerdo con cualquier reglamento actual para el desecho de dichos residuos.
30. **PIEZAS DE REPUESTO.** Cuando haga el mantenimiento, utilice solamente piezas de repuesto idénticas.

31. **GUARDE LA ASPIRADORA SI NO LA ESTÁ UTILIZANDO.** Cuando no esté siendo utilizada, la aspiradora deberá estar guardada en interiores.
32. Los filtros mojados y la parte interior del contenedor de líquido deberán ser secados antes de almacenar.
33. Sea amable con su aspiradora. Un manejo brusco puede ocasionar la rotura de incluso la aspiradora más robusta.
34. No intente limpiar el interior o exterior con bencina, diluyente o productos químicos de limpieza. Podrá ocasionar grietas o decoloración.
35. No utilice la aspiradora en un espacio cerrado donde puedan desprenderse vapores inflamables, explosivos o tóxicos de pintura a base de aceite, disolventes de pintura, gasolina, algunas sustancias contra las polillas, etc., o en áreas donde haya polvo inflamable.
36. No deje el cable de la aspiradora tirado en el suelo después de que haya terminado un trabajo de limpieza. Puede convertirse en un riesgo de tropiezo o podrá ocasionar daños a la aspiradora.
37. No opere esta o cualquier otra herramienta bajo la influencia de drogas o alcohol.
38. Como norma básica de seguridad, utilice gafas de protección o gafas de seguridad con escudos laterales.
39. Utilice una máscara contra el polvo en condiciones de trabajo polvoriento.
40. Esta máquina no ha sido prevista para ser utilizada por personas (incluidos niños) con capacidades físicas, sensoriales o mentales reducidas, o falta de experiencia y conocimiento.
41. Los niños pequeños deberán ser supervisados para asegurarse de que no juegan con la aspiradora.
42. No maneje nunca la clavija del cable o la aspiradora con las manos mojadas.
43. Tenga mucho cuidado cuando limpie en escaleras.
44. No utilice la aspiradora como taburete o mesa de trabajo. La máquina podrá caerse y resultar en heridas personales.

Utilización y cuidado de la herramienta a batería

1. **Cargue la batería solamente con el cargador especificado por el fabricante.** Un cargador que es apropiado para un tipo de batería puede crear un riesgo de incendio cuando se utiliza con otra batería.
2. **Utilice las herramientas eléctricas solamente con las baterías designadas específicamente para ellas.** La utilización de cualquier otra batería puede crear un riesgo de heridas o incendio.
3. **Cuando la batería no esté siendo utilizada, guárdela alejada de otros objetos metálicos, como sujetapapeles, monedas, llaves, clavos, tornillos u otros objetos metálicos pequeños, que puedan hacer conexión entre un terminal y el otro.** Si se cortocircuitan entre sí los terminales de la batería podrán producirse quemaduras o un incendio.
4. **En condiciones abusivas, es posible que salga expulsado líquido de la batería; evite el contacto con él.** Si se produce un contacto accidental, enjuague con agua. Si el líquido entra en los ojos, además de enjuagarlos, solicite asistencia

médica. El líquido expulsado de la batería puede ocasionar irritación y quemaduras.

5. **No utilice una batería o herramienta que esté dañada o modificada.** Las baterías dañadas o modificadas pueden comportarse de forma impredecible resultando en un incendio, explosión o riesgo de heridas.
6. **No exponga una batería o herramienta al fuego o a temperatura excesiva.** La exposición al fuego o a una temperatura superior a los 130 °C puede ocasionar una explosión.
7. **Siga todas las instrucciones de carga y no cargue la batería o la herramienta fuera del rango de temperatura especificado en las instrucciones.** Cargar incorrectamente o a temperaturas fuera del rango especificado puede dañar la batería y aumentar el riesgo de incendio.

GUARDE ESTAS INSTRUCCIONES.

ADVERTENCIA:

NO deje que la comodidad o familiaridad con el producto (a base de utilizarlo repetidamente) sustituya la estricta observancia de las normas de seguridad para el producto en cuestión. El MAL USO o el no seguir las normas de seguridad establecidas en este manual de instrucciones podrá ocasionar heridas personales graves.

Instrucciones de seguridad importantes para el cartucho de batería

ENC007-17

1. **Antes de utilizar el cartucho de batería, lea todas las instrucciones e indicaciones de precaución sobre (1) el cargador de baterías, (2) la batería, y (3) el producto con el que se utiliza la batería.**
2. **No desensamble ni manipule el cartucho de batería.** Podrá resultar en un incendio, calor excesivo, o una explosión.
3. **Si el tiempo de uso se acorta demasiado, cese la operación inmediatamente.** Podría resultar en un riesgo de recalentamiento, posibles quemaduras e incluso una explosión.
4. **Si entra electrolito en sus ojos, acébrelos con agua limpia y acuda a un médico inmediatamente.** Existe el riesgo de poder perder la vista.
5. **No cortocircuite el cartucho de batería:**
 - (1) **No toque los terminales con ningún material conductor.**
 - (2) **Evite guardar el cartucho de batería en un cajón junto con otros objetos metálicos, como clavos, monedas, etc.**
 - (3) **No exponga el cartucho de batería al agua ni a la lluvia.**
6. **Un cortocircuito en la batería puede producir una gran circulación de corriente, un recalentamiento, posibles quemaduras e incluso una rotura de la misma.**
7. **No guarde ni utilice la herramienta y el cartucho de batería en lugares donde la temperatura pueda alcanzar o exceder los 50 °C.**

7. **Nunca incinere el cartucho de batería incluso en el caso de que esté dañado seriamente o ya no sirva en absoluto. El cartucho de batería puede explotar si se tira al fuego.**
8. **No clave, corte, aplaste, lance, deje caer el cartucho de batería, ni golpee contra un objeto duro el cartucho de batería.** Tal conducta podrá resultar en un incendio, calor excesivo, o una explosión.
9. **No utilice una batería dañada.**
10. **Las baterías de litio-ion contenidas están sujetas a los requisitos de la Legislación para Materiales Peligrosos.**
Para transportes comerciales, p.ej., por terceras personas y agentes de transportes, se deberán observar requisitos especiales para el empaquetado y etiquetado.
Para la preparación del artículo que se va a enviar, se requiere consultar con un experto en materiales peligrosos. Por favor, observe también la posibilidad de reglamentos nacionales más detallados.
Cubra con cinta aislante o enmascare los contactos expuestos y empaquete la batería de tal manera que no se pueda mover alrededor dentro del embalaje.
11. **Para desechar el cartucho de batería, retírelo de la herramienta y deséchelo en un lugar seguro. Siga los reglamentos locales referentes al desecho de la batería.**
12. **Utilice las baterías solamente con los productos especificados por Makita.** La instalación de las baterías en productos no compatibles puede resultar en un incendio, calor excesivo, explosión, o fuga de electrolito.
13. **Si la herramienta no va a ser utilizada durante un periodo de tiempo largo, la batería deberá ser retirada de la herramienta.**
14. **Durante y después de la utilización, el cartucho de batería podrá acumular calor, lo cual puede ocasionar quemaduras o quemaduras de baja temperatura. Preste atención al manejo de cartuchos de batería calientes.**
15. **No toque el terminal de la herramienta inmediatamente después de utilizar, dado que puede calentarse lo suficiente como para ocasionar quemaduras.**
16. **No permita que virutas, polvo, o tierra se adhieran dentro de los terminales, orificios, y ranuras del cartucho de batería.** Esto podría ocasionar calentamiento, que coja fuego, reviente y un mal funcionamiento de la herramienta o el cartucho de batería, resultando en quemaduras o heridas personales.
17. **A menos que la herramienta pueda utilizarse cerca de cables eléctricos de alta tensión, no utilice el cartucho de batería cerca de cables eléctricos de alta tensión.** Podrá resultar en un mal funcionamiento o rotura de la herramienta o el cartucho de batería.
18. **Mantenga la batería alejada de los niños.**

GUARDE ESTAS INSTRUCCIONES.

⚠ PRECAUCIÓN: Utilice solamente baterías genuinas de Makita. La utilización de baterías no

genuinas de Makita, o baterías que han sido alteradas, puede resultar en una explosión de la batería ocasionando incendios, heridas personales y daños. También anulará la garantía de Makita para la herramienta y el cargador de Makita.

Consejos para alargar al máximo la vida de servicio de la batería

1. **Cargue el cartucho de batería antes de que se descargue completamente. Detenga siempre la operación y cargue el cartucho de batería cuando note menos potencia en la herramienta.**
2. **No cargue nunca un cartucho de batería que esté completamente cargado. La sobrecarga acortará la vida de servicio de la batería.**
3. **Cargue el cartucho de batería a temperatura ambiente de 10 °C - 40 °C. Si un cartucho de batería está caliente, déjelo enfriar antes de cargarlo.**
4. **Cuando no esté utilizando el cartucho de batería, retírelo de la herramienta o del cargador.**
5. **Cargue el cartucho de batería si no lo utiliza durante un periodo de tiempo prolongado (más de seis meses).**

DESCRIPCIÓN DEL FUNCIONAMIENTO

Uso con alimentación CA:

⚠ ADVERTENCIA:

- **Antes de enchufar la aspiradora, asegúrese siempre de que la aspiradora esté apagada.** Si enchufa la aspiradora con el interruptor encendido, puede provocar una puesta en marcha inesperada que puede provocar graves lesiones personales.

Conecte el enchufe a una fuente de alimentación. (Fig. 1)
El indicador de alimentación CA se ilumina cuando el interruptor de espera se ajusta en el lado "I". (Fig. 2)

NOTA:

- Aunque se use en el modo de alimentación CC, la herramienta cambia automáticamente al modo de alimentación CA cuando se enchufa.
- Si la herramienta se desenchufa durante el funcionamiento con la batería insertada, la aspiradora pasa al estado de espera.

Uso con la batería:

Instalación o extracción del cartucho de la batería

⚠ PRECAUCIÓN:

- Antes de ajustar o comprobar la herramienta, asegúrese siempre de que la aspiradora esté apagada y de que el cartucho de la batería se haya extraído.
- **Sujete la aspiradora y el cartucho de la batería firmemente cuando instale o extraiga el cartucho de la batería.** Si no sujeta la aspiradora y el cartucho de la batería firmemente, pueden resbalar de sus manos y se pueden provocar daños en la aspiradora y el cartucho de la batería y lesiones personales.
- **Tenga cuidado de que sus dedos no queden atrapados cuando abra o cierre la cubierta de la**

batería. De lo contrario, puede sufrir lesiones personales.

Para instalar el cartucho de la batería, libere primero el mecanismo de bloqueo y abra la cubierta de la batería. A continuación, inserte el cartucho de la batería. (Fig. 3) Alinee la lengüeta situada en el cartucho de la batería con la ranura del chasis e insértelo. Insértelo completamente hasta que quede firmemente encajado con un clic. A continuación, bloquee la cubierta de la batería. (Fig. 4) Para quitar el cartucho de la batería, mantenga pulsado el botón de la parte frontal del cartucho y retírelo.

AVISO:

- Retire el enchufe de la aspiradora del cable prolongador cuando utilice la aspiradora con las baterías.

⚠ PRECAUCIÓN:

- Instale siempre el cartucho de la batería encajándolo completamente. De lo contrario, el cartucho puede desprenderse accidentalmente de la herramienta y causar lesiones al operario o a alguna persona que se encuentre cerca.
- No presione excesivamente el cartucho de la batería para instalarlo. Si el cartucho no entra con suavidad, significa que no lo está instalando correctamente.

NOTA:

- La aspiradora no funciona con un cartucho de la batería solamente.

Sistema de protección de la herramienta/batería


La herramienta está equipada con un sistema de protección de la herramienta/batería. Este sistema corta automáticamente la alimentación al motor para ampliar la duración de la herramienta y la batería.

El funcionamiento de la herramienta se detendrá automáticamente si la herramienta o la batería están sometidas a las siguientes condiciones. En algunas condiciones, los indicadores se encienden.

Protección contra la sobrecarga

Si la herramienta se sobrecarga, se detiene automáticamente. En ese caso, apague la herramienta y detenga la aplicación que hizo que la herramienta se sobrecargara. A continuación, encienda la herramienta para reiniciar las operaciones.

Protección contra el sobrecalentamiento de la herramienta

■ : Encendido	▣ : Parpadea
	

015485

Cuando la herramienta se sobrecaliente, se detendrá automáticamente y el indicador de la batería parpadeará durante unos 60 segundos. En ese caso, deje que la herramienta se enfríe antes de volver a encenderla.

Protección contra la descarga excesiva


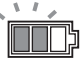
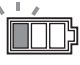

Cuando la capacidad de la batería sea baja, la herramienta se detendrá automáticamente. Si el producto

no funciona aunque se accionen los interruptores, retire las baterías de la herramienta y cárguelas.

Indicación de capacidad restante de la batería (Fig. 5 y 6)

Pulse el botón de comprobación para que los indicadores de la batería muestren las capacidades restantes de la batería. Los indicadores de batería se corresponden con cada batería.

Indicación de capacidad restante de la batería

Estado del indicador de la batería		Capacidad restante de la batería
■ : Encendido	□ : Apagado	
		50% - 100%
		20% - 50%
		0% - 20%
		Cargue la batería

015527

Indicación de la capacidad restante de la batería

Solamente para cartuchos de batería con el indicador (Fig. 7)

Pulse el botón de comprobación del cartucho de la batería para indicar la capacidad restante de la batería. Las luces indicadoras se encienden durante unos segundos.

Luces indicadoras			Capacidad restante
■ Iluminada	□ Apagado	▣ Parpadea	
■ ■ ■ ■			75% a 100%
■ ■ ■ □			50% a 75%
■ ■ □ □			25% a 50%
■ □ □ □			0% a 25%
▣ □ □ □			Cargue la batería.
■ ■ □ □	□ □	■ ■	Es posible que la batería se haya averiado.

015658

NOTA:

- En función de las condiciones de uso y de la temperatura ambiente, la indicación puede diferir ligeramente de la capacidad real.

Accionamiento del interruptor (Fig. 8)

Para poner en marcha la aspiradora:

1. Ajuste el interruptor de espera en la posición "I". La aspiradora entrará en el estado de espera.
2. Pulse el botón de encendido.

Para que la aspiradora entre en el modo de espera, vuelva a pulsar el botón de encendido.

Para apagar la aspiradora, ajuste el interruptor de espera en la posición "O".

La potencia de succión se puede ajustar en función de sus necesidades de trabajo.

La potencia de succión se puede aumentar girando el mando de ajuste de la fuerza de succión desde el símbolo ↶ hasta el símbolo ↷.

AVISO:

- Ajuste siempre el interruptor de espera en la posición "O" cuando no utilice la aspiradora durante un tiempo prolongado. La aspiradora consume energía durante el estado de espera.

Detención de succión automática durante la operación de succión de líquidos (para el modelo con filtro de tela)

⚠ ADVERTENCIA:

- **No la utilice durante un período de tiempo prolongado cuando el flotador esté activado.** El uso de la aspiradora con el flotador activado durante un período prolongado de tiempo puede causar sobrecalentamiento, lo que tendría como resultado la deformación de la aspiradora.
- **No aspire espuma o jabón líquido.** Si aspira espuma o jabón líquido puede salir espuma por la salida de aire antes de que el flotador entre en funcionamiento. La prolongación del uso en este estado puede provocar una descarga eléctrica y la rotura de la aspiradora.

La succión automática solamente funciona cuando se usa con el flotador y la cuba del flotador.

La aspiradora tiene un mecanismo de flotador que impide que el agua inunde el motor cuando se recoge más de una cierta cantidad de agua.

Cuando el depósito esté lleno y la aspiradora ya no recoja agua, apague la aspiradora y vacíe el depósito.

Bloqueo o desbloqueo de la rueda (Fig. 9)

Para bloquear la rueda con un tope, baje la palanca de bloqueo y la rueda dejará de girar. Para liberar la rueda de la posición de bloqueo levante la palanca de bloqueo. El bloqueo de la rueda es útil cuando se almacena la aspiradora, se detiene el trabajo y se mantiene la aspiradora quieta.

Para utilizar el tope, muévelo a mano.

NOTA:

- Cuando mueva la aspiradora asegúrese de que la rueda esté desbloqueada. El desplazamiento de la aspiradora con la rueda en la posición de bloqueo puede dañar la rueda.

Asa de transporte (Fig. 10)

Cuando transporte la aspiradora, hágalo sujetándola por el asa de la cabeza. El asa se puede retraer en la cabeza cuando no se usa.

DESCRIPCIÓN DE LAS PIEZAS

Modelo DVC860L

(Modelo de filtro de tela (para polvo seco y húmedo)) (Fig. 11)

Modelo DVC861L

(Modelo de filtro de polvo (para polvo seco)) (Fig. 12)

MONTAJE

⚠ PRECAUCIÓN:

- Asegúrese siempre de apagar la aspiradora, desenchufarla y extraer el cartucho de la batería antes de intentar realizar cualquier tipo de operación en la aspiradora.
- Utilice siempre una máscara para el polvo durante el montaje o el mantenimiento.

Instalación del filtro de polvo (HEPA) y del filtro previo (para polvo seco) (Fig. 13 y 14)

Accesorio opcional para el modelo de filtro de tela

⚠ PRECAUCIÓN:

- Nunca recoja agua u otros líquidos o polvos húmedos cuando utilice el filtro de polvo. La recogida de esas sustancias puede provocar la rotura del filtro de polvo. Para utilizar el filtro de polvo, retire la cuba del flotador y el flotador extrayendo los pernos. Coloque el filtro previo en el depósito. A continuación, monte el amortiguador en el filtro de polvo y después colóquelos en el filtro previo. Cuando instale el filtro de polvo y el filtro previo, alinee la marca de posición de montaje de cada uno con la de la parte superior del depósito. Por último, monte la cubierta del depósito y bloquéela.

NOTA:

- Antes de utilizar el filtro de polvo, asegúrese de que el filtro previo y el amortiguador siempre se utilicen juntos. No se permite instalar solamente el filtro de polvo.

Instalación del filtro de agua (para el modelo de filtro de tela) (accesorio opcional)

⚠ PRECAUCIÓN:

- Nunca recoja agua o polvo húmedo sin el flotador y el filtro de tela o el filtro de agua.
- Para recoger polvo húmedo, asegúrese de que la cuba del flotador y el flotador estén instalados en la aspiradora.
- Cuando instale el filtro de agua en el depósito, ajústelo apretado a la abertura del depósito de forma que el gancho del filtro de agua se acople a la abertura del

depósito firmemente y no haya espacio entre el filtro de agua y el depósito.

AVISO:

- Se recomienda utilizar el filtro de agua cuando recoja grandes cantidades de agua repetidamente. De lo contrario, la capacidad de aspiración se puede ver reducida en caso de usar el filtro de tela.

Para recoger agua o polvo húmero solo, el filtro de agua es más adecuado que el filtro de tela.

Cuando instale el filtro de agua, alinee su marca de posición de montaje con la del depósito. (Fig. 15)

Instalación de la bolsa de papel (accesorio opcional)

⚠ ADVERTENCIA:

- Cuando utilice la bolsa de papel, utilice también el filtro de tela o el filtro previo que está preinstalado en la herramienta. Si no se utiliza el filtro de tela o el filtro previo de forma conjunta se pueden provocar ruidos y calor inusuales y se puede provocar un incendio.

⚠ PRECAUCIÓN:

(Para el modelo de filtro de tela)

- Nunca recoja agua u otros líquidos o polvos húmedos cuando utilice la bolsa de papel. La recogida de esas sustancias puede provocar la rotura de la bolsa de papel.
- Antes de utilizar la bolsa de papel, asegúrese de que el filtro de polvo (accesorio opcional), el amortiguador (accesorio opcional) y el filtro previo siempre se utilicen juntos.

(Para el modelo de filtro de polvo)

- Antes de utilizar la bolsa de papel, asegúrese de que el filtro de polvo, el amortiguador y el filtro previo siempre se utilicen juntos.

1. Extraiga el soporte de goma. (Fig. 16)
2. Extienda la bolsa de papel.
3. Alinee la abertura de la bolsa de papel con la abertura de succión de polvo de la aspiradora.
4. Inserte el cartón de la bolsa de papel en el soporte de forma que quede colocado en el extremo que está más allá del saliente de marca. (Fig. 17)

Instalación de la bolsa de polietileno

La aspiradora también se puede usar sin una bolsa de polietileno. No obstante, si se usa una bolsa de polietileno resulta más fácil vaciar el depósito sin ensuciarse las manos.

Despliegue la bolsa de polietileno en el depósito.

Insértela entre la placa del soporte y el depósito y tire de ella hacia la entrada de la manguera.

Enganche el otro extremo de la bolsa alrededor de la parte superior del depósito de forma que el borde del filtro previo pueda atrapar la bolsa y sujetarla de forma segura. (Fig. 18)

NOTA:

- Se pueden utilizar bolsas de polietileno disponibles comercialmente. Se recomienda una de 0,04 mm o de un grosor superior.
- Demasiado polvo romperá la bolsa fácilmente, así que no recoja más polvo del que cabe en la mitad de la bolsa.

Vaciado de la bolsa de polietileno

⚠ ADVERTENCIA:

- Asegúrese siempre de que la aspiradora esté apagada y desenchufada antes de vaciar la bolsa de polietileno. En caso contrario, se puede producir una descarga eléctrica y graves lesiones personales.

⚠ PRECAUCIÓN:

- No ejerza una gran fuerza sobre la cuba del flotador y el depósito. Si aplica una gran fuerza se pueden provocar deformaciones y se pueden dañar las piezas.
- Vacíe el depósito como mínimo una vez al día, aunque esto depende del volumen de polvo recogido en el depósito. De lo contrario, la fuerza de succión se debilitará y el motor puede romperse.
- No coja el gancho cuando vacíe el depósito. Si coge el gancho puede hacer que se rompa.

Desenganche y levante la cubierta del depósito.

Sacuda el polvo del filtro de tela o el filtro de polvo y después saque la bolsa de polietileno del depósito. (Fig. 19)

NOTA:

- Saque con mucho cuidado la bolsa de polietileno del depósito de forma que la bolsa de polietileno no pueda quedar atrapada ni se pueda romper dentro del depósito cuando la vacíe.
- Vacíe la bolsa de polietileno antes de que esté llena. Demasiado polvo en el depósito puede provocar que la bolsa de polietileno se rompa.

Instalación de la caja de herramientas

1. Libere el mecanismo de bloqueo de la cubierta de la batería y ábrala.
2. Ajustes los rieles de la caja de herramientas a lo largo de las ranuras de la carcasa. (Fig. 20)
3. Cierre la cubierta de la batería y aplique el mecanismo de bloqueo.

La caja de herramientas es útil para transportar baterías, cables de extensión, tubos o manguitos. (Fig. 21)

Conexión de la manguera

⚠ PRECAUCIÓN:

- Nunca fuerce la manguera para doblarla o fijarla. Nunca mueva la aspiradora por una manguera. Forzar la manguera, golpearla o tirar de ella puede provocar una rotura o una deformación de la misma.
- Cuando recoja residuos de gran tamaño, como virutas de una cepilladora, polvo de hormigón u otros residuos similares que no sean pequeños, use la manguera de 38 mm de diámetro interior (accesorio opcional). El uso de la manguera de 28 mm de diámetro interior (accesorio opcional) puede provocar atascos en la manguera y daños.

Inserte la manguera en el puerto de montaje del depósito y gírela en el sentido de las agujas del reloj hasta que se bloquee. (Fig. 22)

MANTENIMIENTO

⚠ PRECAUCIÓN:

- Asegúrese de apagar siempre la herramienta, desenchufarla y extraer el cartucho de la batería antes

de intentar realizar cualquier trabajo de inspección o mantenimiento en ella.

Almacenamiento del cable de alimentación (Fig. 23)

Puede enrollar el cable de alimentación alrededor de la caja de herramientas.

Almacenamiento de accesorios (Fig. 24)

Los tubos se pueden colocar en el soporte del tubo cuando no se utilice la aspiradora durante un período breve. (Fig. 25)

La manguera se puede almacenar alrededor de la herramienta conectando los extremos. (Fig. 26)

Limpieza

⚠ PRECAUCIÓN:

- Nunca utilice gasolina, benceno, disolvente, alcohol o un producto similar. Se puede provocar una decoloración, una deformación o grietas.

Limpieza del filtro de tela

Solamente para el modelo de filtro de tela

Un filtro de tela obstruido provoca un bajo rendimiento de succión.

Limpie el filtro de tela de vez en cuando.

Para retirar polvo o partículas que se adhieren al filtro de tela, sacuda varias veces la parte inferior del bastidor.

(Fig. 27)

Limpieza del filtro de polvo (HEPA) y del filtro previo

Solamente para el modelo de filtro de polvo

El filtro de polvo, el filtro previo y el amortiguador sucios pueden provocar un bajo rendimiento de succión.

Limpie los filtros y los amortiguadores de vez en cuando.

Para retirar polvo o partículas que se adhieren a los filtros, sacuda varias veces la parte inferior del bastidor.

Ocasionalmente, lave el filtro de polvo con agua, aclárelo y séquelo a conciencia a la sombra antes de su uso.

Nunca lave filtros en una lavadora. (Fig. 28)

NOTA:

- No frote ni raye el filtro de polvo, el filtro previo o el amortiguador con objetos duros, como un cepillo y una pala.
- Los filtros se desgastan con el paso del tiempo. Se recomienda tener recambios para ellos.

Para mantener la SEGURIDAD y la FIABILIDAD del producto, las reparaciones y cualquier otra tarea de mantenimiento o ajuste deberán ser realizadas en centros de servicio autorizados por Makita, utilizando siempre repuestos Makita.

ACCESORIOS OPCIONALES

⚠ PRECAUCIÓN:

- Se recomienda el uso de estos accesorios o complementos con la herramienta Makita especificada en este manual. El uso de otros accesorios o complementos puede conllevar el riesgo de ocasionar

daños corporales. Utilice los accesorios o complementos solamente para su fin establecido.

Si necesita cualquier ayuda para obtener más información relativa a estos accesorios, pregunte a su centro de servicio Makita local.

- Batería y cargador originales de Makita
- Manguera
- Manguitos frontales (22, 24, 38)
- Tubo recto
- Boquilla para esquinas
- Cepillo redondo
- Filtro de polvo, HEPA (para polvo seco)
- Amortiguador
- Filtro previo
- Ensamblaje de la boquilla
- Tubo doblado
- Bolsa de polietileno
- Filtro de agua (opcional para el modelo de filtro de tela)
- Bolsa de papel
- Conjunto de soportes

NOTA:

- Algunos elementos de la lista se pueden incluir en el paquete de la herramienta como accesorios estándar. Pueden ser diferentes de un país a otro.

Ruido

ENG905-1

Nivel típico de ruido ponderado A determinado conforme a IEC60335-2-69:

Nivel de presión de sonido (L_{pA}): 75 dB (A)

Incertidumbre (K): 2,5 dB (A)

El nivel de ruido durante el trabajo puede superar los 80 dB (A).

ENG907-1

- El valor (o los valores) de emisión de ruido declarado ha sido medido de acuerdo con un método de prueba estándar y se puede utilizar para comparar una herramienta con otra.
- El valor (o valores) de emisión de ruido declarado también se puede utilizar en una valoración preliminar de exposición.

⚠ ADVERTENCIA:

- **Póngase protectores para oídos.**
- **La emisión de ruido durante la utilización real de la herramienta eléctrica puede variar del valor (o los valores) de emisión declarado dependiendo de las formas en las que la herramienta sea utilizada, especialmente qué tipo de pieza de trabajo se procesa.**
- **Asegúrese de identificar medidas de seguridad para proteger al operario que estén basadas en una estimación de la exposición en las condiciones reales de utilización (teniendo en cuenta todas las partes del ciclo operativo como las veces cuando la herramienta está apagada y cuando está funcionando en vacío además del tiempo de gatillo).**

Vibración

ENG900-1

Valor total de vibración (suma de vectores triaxiales) establecido según IEC 60335-2-69:

Emisión de vibraciones (a_{hv}): 2,5 m/s² o menos

Incertidumbre (K): 1,5 m/s²

- El valor (o los valores) total de emisión de vibración declarado ha sido medido de acuerdo con un método de prueba estándar y se puede utilizar para comparar una herramienta con otra.
- El valor (o los valores) total de emisión de vibración declarado también se puede utilizar en una valoración preliminar de exposición.

 **ADVERTENCIA:**

- **La emisión de vibración durante la utilización real de la herramienta eléctrica puede variar del valor (o los valores) de emisión declarado dependiendo de las formas en las que la herramienta sea utilizada, especialmente qué tipo de pieza de trabajo se procesa.**
- **Asegúrese de identificar medidas de seguridad para proteger al operario que estén basadas en una estimación de la exposición en las condiciones reales de utilización (teniendo en cuenta todas las partes del ciclo operativo como las veces cuando la herramienta está apagada y cuando está funcionando en vacío además del tiempo de gatillo).**

Declaración CE de conformidad

Para países europeos solamente

La declaración CE de conformidad está incluida como Anexo A de esta manual de instrucciones.

PORTUGUÊS (Instruções de origem)

AVISO

- Esta máquina não deve ser utilizada por pessoas com capacidades físicas, sensoriais ou mentais reduzidas nem por crianças ou pessoas com falta de experiência ou conhecimentos.
- As crianças devem ser supervisionadas, de modo a assegurar que não brincam com o aspirador.
- Se o cabo de alimentação estiver danificado, deve ser substituído pela instalação de assistência autorizada.
- Consulte o capítulo “ESPECIFICAÇÕES” para ficar a saber a referência de tipo da bateria.
- Consulte a secção “Instalar ou remover a bateria” para saber como remover ou instalar a bateria.
- Quando eliminar a bateria, remova-a da ferramenta e elimine-a num local seguro. Siga os regulamentos locais relacionados com a eliminação de baterias.
- Se a ferramenta não for utilizada durante um período de tempo prolongado, a bateria deve ser removida da ferramenta.
- Não coloque a bateria em curto-circuito.
- Consulte o capítulo “MANUTENÇÃO” para obter as informações adequadas sobre as precauções a ter durante a manutenção pelo utilizador.

Descrição geral

- | | | |
|---|--|-------------------------------------|
| 1. Ficha (a forma e o comprimento do cabo pode variar consoante o país) | 10. Botão de regulação da força de aspiração | 20. Filtro de pó (HEPA) |
| 2. Indicador de alimentação CA | 11. Roda | 21. Recipiente |
| 3. Bloqueio | 12. Alavanca do batente | 22. Pré-filtro |
| 4. Tampa da bateria | 13. Posição LIVRE | 23. Marcação da posição de montagem |
| 5. Bateria | 14. Posição de BLOQUEIO | 24. Filtro de água |
| 6. Botão de verificação | 15. Tampa do depósito | 25. Suporte de borracha |
| 7. Lâmpadas indicadoras | 16. Flutuador | 26. Saco de papel |
| 8. Interruptor de espera | 17. Caixa do flutuador | 27. Suporte |
| 9. Botão de alimentação | 18. Filtro de pano | 28. Placa do suporte |
| | 19. Depósito | 29. Saco de polietileno |

ESPECIFICAÇÕES

Modelo		DVC860L	DVC861L
Tipo de filtro padrão		Filtro de pano (para pó seco e húmido)	Filtro de pó (para pó seco)
Caudal do volume (ar)	Funcionamento CC (com BL1830, tubo flexível de ø38 mm X 2,5 m)	2,1 m ³ /min	
	Funcionamento CA (com tubo flexível de ø38 mm X 2,5 m)	3,6 m ³ /min	
Vácuo	Funcionamento CC (com BL1830, tubo flexível de ø38 mm X 2,5 m)	90 hPa	
	Funcionamento CA (com tubo flexível de ø38 mm X 2,5 m)	240 hPa	
Capacidade recuperável	Pó	8 L	
	Água	6 L	–
Dimensões (C x L x A)		366 mm x 334 mm x 368 mm	
Classificações elétricas com operação CA		Depende do país. Consulte a placa de identificação.	
Tensão nominal (funcionamento com baterias)		CC 36 V	
Peso líquido		8,6 - 9,2 kg	9,3 - 9,9 kg
Grau de proteção		IPX4	
Classe de segurança		□/II	

- Devido à pesquisa e desenvolvimento constantes, estas especificações estão sujeitas a alteração sem aviso prévio.
- As especificações e a bateria podem variar de país para país.
- O peso não inclui os acessórios mas a(s) bateria(s). Os pesos combinados mais leve e mais pesado do aparelho e da(s) bateria(s) são indicados na tabela.
- Para pó húmido, o flutuador e o filtro de água ou filtro de pano são necessários.

Bateria e carregador aplicáveis

Bateria	BL1815N/BL1820B/BL1830B/BL1840B/BL1850B/BL1860B
Carregador	DC18RC/DC18RD/DC18RE/DC18SD/DC18SE/DC18SF/DC18SH

- Algumas baterias e carregadores indicados acima podem não estar disponíveis consoante a região de residência.

⚠ AVISO:

- **Utilize apenas os tipos de bateria e carregador indicados acima.** A utilização de qualquer outra bateria ou carregador pode criar um risco de ferimentos e/ou incêndios.

Símbolos

END118-1

A seguir são apresentados os símbolos que podem ser utilizados para o equipamento. Certifique-se de que compreende o seu significado antes da utilização.



..... Leia o manual de instruções.



..... Tenha um cuidado e atenção especiais.



..... Aviso! O aspirador de água e pó pode conter pó perigoso.



..... Nunca se coloque em cima do aspirador de água e pó.



..... Classe de pó L (ligeira). Os aspiradores de água e pó conseguem captar pó de classe L. Siga os regulamentos do país relativamente aos pós e à saúde e segurança ocupacional.



..... BLINDAGEM DUPLA



..... Apenas para países da UE
Devido à presença de componentes perigosos no equipamento, os resíduos de equipamentos elétricos e eletrónicos, acumuladores e baterias podem ter um impacto negativo no meio ambiente e na saúde humana. Não elimine aparelhos elétricos e eletrónicos ou baterias juntamente com resíduos domésticos!
De acordo com a Diretiva europeia relativa aos resíduos de equipamentos elétricos e eletrónicos, acumuladores e baterias, bem como a respetiva adaptação à legislação nacional, os resíduos de equipamentos elétricos e eletrónicos, acumuladores e baterias devem ser armazenados separadamente e entregues num ponto de recolha separado para resíduos municipais, que opere de acordo com os regulamentos de proteção ambiental.
Tal é indicado pelo símbolo de contenedor de lixo com rodas barrado com uma cruz colocado no equipamento.

Utilização prevista

ENE084-1

A ferramenta é adequada para utilização comercial, por exemplo, em hotéis, escolas, hospitais, fábricas, lojas, escritórios e empresas de aluguer.

DVC860L

A ferramenta serve para recolher pó húmido e seco.

DVC861L

A ferramenta serve apenas para recolher pó seco.

Fonte de alimentação

ENF002-2

A ferramenta apenas deve ser ligada a uma fonte de alimentação da mesma tensão que a indicada na chapa de especificações, e apenas pode funcionar com uma alimentação CA monofásica. Estão blindadas duplamente e podem, assim, ser igualmente ligadas a tomadas sem fio terra.

Avisos de segurança do aspirador de água e pó a bateria / elétrico

ENB124-5

⚠ **AVISO: IMPORTANTE! LEIA COM ATENÇÃO todos os avisos de segurança e todas as instruções ANTES DA UTILIZAÇÃO.** Caso não siga os avisos e instruções, pode apanhar um choque elétrico, provocar um incêndio e/ou ferimentos graves.

1. **Antes de utilizar, certifique-se de que este aspirador é utilizado por pessoas que tenham recebido instruções adequadas sobre a utilização deste aspirador.**
2. **Antes da utilização, devem ser fornecidas informações, instruções e formação aos operadores relativamente ao uso da máquina e às substâncias para as quais deve ser utilizada, incluindo o método seguro de remoção e eliminação do material recolhido.**
3. **Se sair espuma/líquido, desligue imediatamente.**
4. **Limpe o dispositivo de limitação do nível de água regularmente e inspecione-o quanto a sinais de danos.**
5. **Não utilize o aspirador sem o filtro. Substitua imediatamente o filtro danificado.**
6. **UTILIZAÇÃO DO CABO DE EXTENSÃO.** Quando utilizar um cabo de extensão devido à grande distância em relação à sua fonte de alimentação, tente utilizar um cabo suficientemente espesso mas não demasiado longo, caso contrário, o desempenho do aspirador será afetado de forma adversa. No caso de aplicações no exterior, utilize um cabo de extensão adequado para utilização no exterior.
7. **AVISO DE TENSÃO:** Antes de ligar o aspirador a uma fonte de alimentação (recetáculo, tomada,

- etc.), certifique-se de que a tensão fornecida é igual à especificada na placa de identificação do aspirador. Uma fonte de alimentação com tensão superior à especificada para o aspirador pode resultar em LESÕES GRAVES no operador e em danos no aspirador. Em caso de dúvida, NÃO LIGUE O ASPIRADOR À TOMADA. Utilizar uma fonte de alimentação com tensão inferior à classificação que consta na placa de identificação é prejudicial para o motor.
8. EVITAR O ARRANQUE INVOLUNTÁRIO. Assegure que o interruptor está desligado (OFF) quando inserir a ficha na tomada.
 9. Não tente aspirar materiais inflamáveis, fogo de artifício, cigarros acesos, cinzas quentes, aparas metálicas quentes, materiais aguçados como lâminas, agulhas, vidro partido ou outros do gênero.
 10. NUNCA UTILIZE O ASPIRADOR JUNTO DE GASOLINA, GÁS, TINTA, COLAS OU OUTRAS SUBSTÂNCIAS ALTAMENTE EXPLOSIVAS. O interruptor emite faíscas quando se liga e desliga. O mesmo acontece com o comutador do motor durante o funcionamento. Pode resultar em explosão perigosa.
 11. Nunca aspire produtos tóxicos, carcinogênicos, combustíveis ou outros materiais perigosos como amianto, arsênico, bário, berílio, chumbo, pesticidas ou outros materiais que ponham a saúde em perigo.
 12. Coloque sempre o aspirador numa superfície plana horizontal para evitar a respetiva queda ou o respetivo movimento acidental.
 13. Nunca utilize o aspirador no exterior, à chuva.
 14. No caso da Finlândia, esta máquina não deve ser utilizada ao ar livre a baixa temperatura.
 15. Não utilize junto de fontes de calor (fornos, etc.).
 16. Se o ar de exaustão for retornado à divisão, é necessário providenciar uma taxa de mudança de ar adequada na divisão. É necessário consultar os regulamentos nacionais.
 17. RESGUARDO CONTRA CHOQUE ELÉTRICO. Evite o contacto do corpo com superfícies ligadas à terra. Por exemplo, tubos, radiadores, fornos de micro-ondas, compartimentos de frigoríficos.
 18. Não bloqueie os ventiladores de arrefecimento. Estes ventiladores permitem arrefecer o motor. Os entupimentos devem ser cuidadosamente evitados, caso contrário, o motor queima por falta de ventilação.
 19. Mantenha sempre o equilíbrio e os pés bem assentes no chão.
 20. NÃO FORCE O CABO. Nunca transporte o aspirador através do cabo ou arranque-o para retirá-lo da tomada elétrica. Mantenha o cabo afastado do calor, óleo e bordos afiados. Inspeccione os cabos do aspirador periodicamente e, se estiverem danificados, solicite a reparação pela instalação de assistência autorizada. Inspeccione os cabos de extensão periodicamente e substitua-os caso estejam danificados.
 21. Não dobre, arraste nem pise a mangueira.
 22. Desligue imediatamente o aspirador se notar qualquer falta de desempenho ou algo fora do normal durante o funcionamento.
 23. DESLIGUE O ASPIRADOR. Quando não estiver a utilizar o aparelho, antes da assistência técnica e quando mudar de acessórios.
 24. Limpe e faça a assistência ao aspirador imediatamente após cada utilização para o manter nas condições de funcionamento normal.
 25. CONSERVE O ASPIRADOR COM CUIDADO. Mantenha o aspirador limpo para obter um desempenho melhor e mais seguro. Siga as instruções para mudar os acessórios. Mantenha as pegas secas, limpas e sem óleo e gordura.
 26. VERIFIQUE AS PEÇAS DANIFICADAS. Antes de continuar a utilizar o aspirador deve verificar cuidadosamente se qualquer resguardo ou outra peça está danificado para determinar se o aspirador funcionará adequadamente e realizará a função pretendida. Verifique o alinhamento das peças móveis, a união das peças móveis, a quebra de peças, a montagem e quaisquer outras condições que possam afetar o seu funcionamento. Um resguardo ou outra peça danificado deve ser adequadamente reparado ou substituído por um centro de assistência autorizado, a menos que indicado o contrário em qualquer outro lugar neste manual. Peça a substituição de interruptores defeituosos junto de um centro de assistência autorizado. Não utilize o aspirador se o interruptor não o ligar ou desligar.
 27. No caso de manutenção por parte do utilizador, a máquina deve ser desmontada, limpa e reparada, tanto quanto for razoavelmente possível, sem pôr em risco o pessoal de manutenção e outras pessoas.
 28. A máquina deve ser inspecionada tecnicamente pelo fabricante ou por uma pessoa instruída, pelo menos anualmente, incluindo, por exemplo, a inspeção de filtros quanto a danos, estanquicidade da máquina e funcionamento adequado do mecanismo de controlo.
 29. Quando realizar operações de manutenção ou reparação, todos os itens contaminados que não possam ser limpos satisfatoriamente devem ser eliminados; tais itens devem ser eliminados em sacos impermeáveis, de acordo com quaisquer regulamentos atuais para a eliminação de tais resíduos.
 30. PEÇAS DE SUBSTITUIÇÃO. Durante a assistência, utilize apenas peças de substituição idênticas.
 31. GUARDE O ASPIRADOR PARADO. Quando não estiver a utilizar o aspirador, deve guardá-lo no interior.
 32. Os filtros húmidos e a parte interior do recipiente de líquido devem ser secos antes de serem guardados.
 33. Tenha cuidado com o aspirador. Um manuseamento severo pode provocar quebras até mesmo ao aspirador mais robusto.
 34. Não tente limpar o exterior ou o interior com benzina, diluente ou produtos químicos de limpeza. Pode provocar rachas ou descoloração.

35. Não utilize o aspirador num espaço fechado onde existam vapores inflamáveis, explosivos ou tóxicos devido a tintas à base de óleo, diluente de tinta, gasolina, algumas substâncias repelentes de traças, etc. ou em áreas onde estejam presentes poeiras inflamáveis.
36. Não deixe o cabo do aspirador no chão após concluir uma tarefa de limpeza. Pode tornar-se um perigo de tropeçamento ou causar danos no aspirador.
37. Não opere esta ou qualquer ferramenta sob a influência de drogas ou álcool.
38. Utilize óculos de segurança ou de proteção com proteções laterais como medida básica de segurança.
39. Utilize uma máscara contra pó em condições de trabalho poeirentas.
40. Esta máquina não deve ser utilizada por pessoas com capacidades físicas, sensoriais ou mentais reduzidas nem por crianças ou pessoas com falta de experiência ou conhecimentos.
41. As crianças devem ser supervisionadas, de modo a assegurar que não brincam com o aspirador.
42. Nunca manuseie o cabo de alimentação ou o aspirador com as mãos molhadas.
43. Tenha extremo cuidado quando limpar escadas.
44. Não utilize o aspirador como banco ou bancada de trabalho. A máquina pode cair e resultar em ferimentos pessoais.

Utilização e cuidados com a ferramenta a bateria

1. **Recarregue apenas com o carregador especificado pelo fabricante.** Um carregador adequado para um tipo de bateria pode criar um risco de incêndio quando utilizado com outra bateria.
2. **Utilize as ferramentas elétricas apenas com as baterias especificamente designadas.** A utilização de uma bateria diferente pode criar um risco de ferimentos e de incêndio.
3. **Quando a bateria não está a ser utilizada, mantenha-a afastada de outros objetos metálicos, como cliques, moedas, chaves, pregos, parafusos ou outros objetos metálicos pequenos que possam fazer a ligação entre os dois terminais.** Colocar os terminais da bateria em curto-circuito um com o outro pode provocar queimaduras ou um incêndio.
4. **Em condições abusivas, o líquido pode ser ejetado da bateria; evite o contacto com o mesmo. Se ocorrer um contacto accidental, lave com água. Se o líquido entrar em contacto com os olhos, procure também assistência médica.** O líquido ejetado da bateria pode provocar irritações ou queimaduras.
5. **Não utilize um conjunto de baterias ou uma ferramenta que se encontrem danificados ou modificados.** As baterias danificadas ou modificadas poderão exibir um comportamento imprevisível, resultando em incêndio, explosão ou risco de lesão.
6. **Não exponha um conjunto de baterias ou uma ferramenta a incêndio ou temperatura excessiva.** A exposição a incêndio ou a uma temperatura superior a 130 °C poderá causar uma explosão.
7. **Siga todas as instruções de carregamento e não carregue o conjunto de baterias ou ferramenta**

fora da amplitude de temperaturas especificada nas instruções. O carregamento impróprio ou a temperaturas fora da amplitude especificada poderá danificar a bateria e aumentar o risco de incêndio.

GUARDE ESTAS INSTRUÇÕES.



AVISO:

NÃO permita que conforto ou familiaridade com o produto (adquirido com o uso repetido) substitua a aderência estrita às regras de segurança da ferramenta. **MÁ INTERPRETAÇÃO** ou não seguimento das regras de segurança estabelecidas neste manual de instruções pode causar danos pessoais sérios.

Instruções de segurança importantes para a bateria

ENC007-17

1. **Antes de utilizar a bateria, leia todas as instruções e etiquetas de precaução no (1) carregador de bateria (2) bateria e (3) produto que utiliza a bateria.**
2. **Não desmonte ou manipule a bateria.** Pode resultar num incêndio, em calor excessivo ou numa explosão.
3. **Se o tempo de funcionamento se tornar excessivamente curto, pare o funcionamento imediatamente. Pode resultar em sobreaquecimento, possíveis queimaduras e mesmo explosão.**
4. **Se entrar eletrólito nos seus olhos, lave-os com água e consulte imediatamente um médico. Pode resultar em perda de visão.**
5. **Não coloque a bateria em curto-circuito:**
 - (1) **Não toque nos terminais com qualquer material condutor.**
 - (2) **Evite guardar a bateria juntamente com outros objetos metálicos tais como pregos, moedas, etc.**
 - (3) **Não exponha a bateria à água ou chuva. Um curto-circuito pode ocasionar um enorme fluxo de corrente, sobreaquecimento, possíveis queimaduras e mesmo estragar-se.**
6. **Não guarde nem utilize a ferramenta e a bateria em locais onde a temperatura pode atingir ou exceder 50 °C.**
7. **Não queime a bateria mesmo que esteja estragada ou completamente gasta. A bateria pode explodir no fogo.**
8. **Não preegue, corte, esmague, atire, deixe cair a bateria, nem bata a bateria contra um objeto rijo.** Esta conduta pode resultar num incêndio, em calor excessivo ou numa explosão.
9. **Não utilize uma bateria danificada.**
10. **As baterias de íões de lítio contidas na ferramenta são sujeitas aos requisitos da DGL (Dangerous Goods Legislation - Legislação de bens perigosos).** Para o transporte comercial, por exemplo, por terceiros ou agentes de expedição, têm de ser observados os requisitos referentes à embalagem e etiquetagem. Para preparação do artigo a ser expedido, é necessário consultar um perito em materiais perigosos. Tenha ainda em conta a possibilidade de

existirem regulamentos nacionais mais detalhados. Coloque fita-cola ou tape os contactos abertos e embale a bateria de tal forma que não possa mover-se dentro da embalagem.

11. **Quando eliminar a bateria, remova-a da ferramenta e elimine-a num local seguro. Siga os regulamentos locais relacionados com a eliminação de baterias.**
12. **Utilize as baterias apenas com os produtos especificados pela Makita.** Instalar as baterias em produtos não-conformes poderá resultar num incêndio, calor excessivo, explosão ou fuga de eletrólito.
13. **Se a ferramenta não for utilizada durante um período de tempo prolongado, a bateria deve ser removida da ferramenta.**
14. **Durante e após a utilização, a bateria pode aquecer, o que pode provocar queimaduras ou queimaduras a baixa temperatura. Preste atenção ao manuseamento de baterias quentes.**
15. **Não toque no terminal da ferramenta imediatamente após a utilização, pois pode ficar suficientemente quente para provocar queimaduras.**
16. **Não permita a adesão de aparas, pó ou sujidade nos terminais, nos orifícios e nas ranhuras da bateria.** Poderá fazer com que a ferramenta ou a bateria aqueça, incendeie, rebente e avarie, resultando em queimaduras ou ferimentos corporais.
17. **A menos que a ferramenta suporte a utilização perto de linhas elétricas de alta tensão, não utilize a bateria perto de linhas elétricas de alta tensão.** Pode resultar no mau funcionamento ou na avaria da ferramenta ou bateria.
18. **Mantenha a bateria afastada das crianças.**

GUARDE ESTAS INSTRUÇÕES.

⚠ PRECAUÇÃO: Utilize apenas baterias genuínas da Makita. A utilização de baterias não genuínas da Makita ou de baterias que foram alteradas, pode resultar no rebentamento da bateria provocando incêndios, ferimentos pessoais e danos. Além disso, anulará da garantia da Makita no que se refere à ferramenta e ao carregador Makita.

Conselhos para manter a máxima vida útil da bateria

1. **Carregue a bateria antes que esteja completamente descarregada. Pare sempre o funcionamento da ferramenta e carregue a bateria quando notar menos poder na ferramenta.**
2. **Nunca carregue uma bateria completamente carregada. Carregamento excessivo diminui a vida útil da bateria.**
3. **Carregue a bateria à temperatura ambiente de 10 °C – 40 °C. Deixe que uma bateria quente arrefeça antes de a carregar.**
4. **Quando não utilizar a bateria, remova-a da ferramenta ou do carregador.**
5. **Carregue a bateria se não a utilizar durante um longo período de tempo (mais de seis meses).**

DESCRIÇÃO DO FUNCIONAMENTO

Utilização com alimentação CA:

⚠ AVISO:

- **Antes de ligar o aspirador de água e pó, certifique-se sempre de que este está desligado.** Ligar o aspirador de água e pó com o interruptor ligado pode causar um arranque inesperado, resultando em ferimentos pessoais graves.

Ligue a ficha a uma fonte de alimentação. (Fig. 1)

O indicador de alimentação CA acende-se ao colocar o interruptor de espera no lado "I". (Fig. 2)

NOTA:

- Mesmo ao funcionar no modo de alimentação CC, a ferramenta é automaticamente comutada para o modo de alimentação CA quando ligada.
- Se a ferramenta não estiver ligada durante a utilização com a bateria introduzida, o aspirador de água e pó entra no estado de espera.

Utilização com bateria:

Instalar ou retirar a bateria

⚠ PRECAUÇÃO:

- Certifique-se sempre de que o aspirador de água e pó está desligado e que a bateria foi removida antes de proceder a ajustes ou verificar o funcionamento da ferramenta.
- **Segure bem o aspirador de água e pó e a bateria ao instalar ou retirar a bateria.** Se não segurar bem o aspirador de água e pó e a bateria, pode fazer com que caiam das mãos e provoquem danos no aspirador de água e pó e na bateria e ferimentos pessoais.
- **Tenha cuidado para não prender os dedos ao abrir ou fechar a tampa da bateria.** Caso contrário, poderá causar ferimentos.

Para instalar a bateria, solte primeiro o bloqueio e abra a tampa da bateria. E, de seguida, introduza a bateria.

(Fig. 3)

Alinhe a saliência na bateria com a calha do compartimento e encaixe-a suavemente. Insira-a completamente até fixar em posição com um clique. De seguida, bloqueie a tampa da bateria. (Fig. 4)

Para retirar a bateria, mantenha premido o botão na frente da bateria e puxe.

ATENÇÃO:

- Retire a ficha do aspirador de água e pó do cabo de extensão ao utilizar o aspirador de água e pó com as baterias.

⚠ PRECAUÇÃO:

- Instale sempre a bateria na posição. Caso contrário, pode cair da ferramenta e causar ferimentos em si, ou em alguém que esteja perto de si.
- Não instale a bateria forçosamente. Se não encaixar facilmente é porque não está corretamente posicionada.

NOTA:

- O aspirador de água e pó não funciona com apenas uma bateria.

Sistema de proteção da ferramenta/bateria

A ferramenta está equipada com um sistema de proteção da ferramenta/bateria. Este sistema corta automaticamente a alimentação para prolongar a vida útil da ferramenta e bateria.

A ferramenta para automaticamente durante o funcionamento quando a ferramenta ou bateria são colocadas numa das condições seguintes. Em algumas condições, os indicadores acendem.

Proteção contra sobrecarga

Se a ferramenta estiver sobrecarregada, a ferramenta para automaticamente. Nesta situação, desligue a ferramenta e pare a aplicação que causou a sobrecarga. De seguida, ligue a ferramenta para reiniciar.

Proteção contra sobreaquecimento para a ferramenta

: Aceso	: Intermitente

015485

Quando a ferramenta está sobreaquecida, a ferramenta para automaticamente e o indicador de bateria pisca durante cerca de 60 segundos. Nesta situação, deixe a ferramenta arrefecer antes de voltar a ligá-la.

Proteção contra sobre-descarga

Quando a carga da bateria é fraca, a ferramenta para automaticamente. Se o produto não funcionar mesmo quando os interruptores são acionados, retire as baterias da ferramenta e carregue-as.

Indicação da carga restante da bateria (Fig. 5 e 6)

Prima o botão de verificação para os indicadores da bateria apresentarem a carga restante das baterias. Os indicadores da bateria correspondem a cada bateria.

Indicação da carga restante da bateria

Estado do indicador da bateria	Carga restante da bateria
: Aceso : Apagado : Intermitente	
	50% - 100%
	20% - 50%
	0% - 20%
	Carregue a bateria

015527

Indicar a carga restante da bateria

Apenas para baterias com o indicador (Fig. 7)

Prima o botão de verificação na bateria para indicar a carga restante da bateria. As lâmpadas indicadoras acendem-se durante alguns segundos.

Lâmpadas indicadoras			Carga restante
Acesa	Apagada	Intermitente	
			75% a 100%
			50% a 75%
			25% a 50%
			0% a 25%
			Carregue a bateria.
			A bateria pode ter avariado.

015658

NOTA:

- Consoante as condições de utilização e a temperatura ambiente, a indicação pode ser ligeiramente diferente da carga real.

Ação do interruptor (Fig. 8)

Para ligar o aspirador de água e pó:

- Coloque o interruptor de espera no lado "I". O aspirador de água e pó entra no estado de espera.
- Prima o botão de alimentação.

Para colocar o aspirador de água e pó no modo de espera, prima novamente o botão de alimentação. Para desligar o aspirador de água e pó, coloque o interruptor de espera no lado "O".

A força de aspiração pode ser ajustada de acordo com as necessidades de trabalho.

A força de aspiração pode ser aumentada rodando o botão de regulação da força de aspiração do símbolo ↺ para o símbolo ↻.

ATENÇÃO:

- Coloque sempre o interruptor de espera no lado "O" quando não utilizar o aspirador de água e pó durante um longo período de tempo. O aspirador de água e pó consome energia durante o estado de espera.

Paragem automática de aspiração durante a operação de aspiração húmida (para o modelo com filtro de pano)

⚠ AVISO:

- Não utilize durante muito tempo enquanto o flutuador está em funcionamento. Utilizar o aspirador de água e pó com o flutuador em funcionamento durante muito tempo, pode causar

sobreaquecimento, resultando na deformação do aspirador de água e pó.

- **Não aspire espuma ou líquido com sabão.** Aspirar espuma ou líquido com sabão pode fazer com que a espuma saia pela saída de ar antes do flutuador funcionar. Continuar a utilização nesta condição pode causar choques elétricos e quebras no aspirador de água e pó.

A paragem automática da aspiração só funciona com o flutuador e caixa do flutuador.

O aspirador de água e pó tem um mecanismo de flutuador que impede a entrada de água no motor ao aspirar certas quantidades de água.

Quando o depósito está cheio e o aspirador de água e pó já não consegue aspirar água, desligue o aspirador de água e pó e esvazie o depósito.

Bloquear ou desbloquear a roda (Fig. 9)

Para bloquear a roda com um batente, baixe a alavanca do batente e a roda não irá rodar mais. Para libertar a roda da posição bloqueada, eleve a alavanca do batente. Convém bloquear a roda quando guardar o aspirador de água e pó, interromper o trabalho e quando quiser manter o aspirador de água e pó parado.

Para utilizar o batente, mova-o à mão.

NOTA:

- Ao mover o aspirador de água e pó, certifique-se de que a roda está desbloqueada. Mover o aspirador de água e pó com a roda na posição bloqueada, pode causar danos na roda.

Pega de transporte (Fig. 10)

Ao transportar o aspirador de água e pó, transporte-o segurando a pega na cabeça. A pega na cabeça é retrátil, quando não é utilizada.

DESCRIÇÃO DE PEÇAS

Modelo DVC860L

(Modelo com filtro de pano (para pó seco e húmido)) (Fig. 11)

Modelo DVC861L

(Modelo com filtro de pó (para pó seco)) (Fig. 12)

MONTAGEM

⚠ PRECAUÇÃO:

- Certifique-se sempre de que o aspirador de água e pó está desligado e a bateria removida, antes de efetuar qualquer operação no aspirador de água e pó.
- Use sempre uma máscara de pó durante a montagem ou manutenção.

Instalar o filtro de pó (HEPA) e o pré-filtro (para pó seco) (Fig. 13 e 14)

Acessório opcional para o modelo com filtro de pano

⚠ PRECAUÇÃO:

- Nunca aspire água ou outros líquidos ou pós húmidos ao utilizar o filtro de pó. Aspirar tais substâncias pode causar quebras no filtro de pó.

Para utilizar o filtro de pó, retire a caixa do flutuador e o flutuador removendo os parafusos.

Coloque o pré-filtro no depósito.

De seguida, monte o recipiente no filtro de pó e, depois, coloque-o no pré-filtro.

Ao instalar o filtro de pó e o pré-filtro, alinhe a marcação da posição de montagem em cada um com a marcação na parte superior do depósito.

Por fim, monte a tampa do depósito do depósito e feche-a.

NOTA:

- Antes de utilizar o filtro de pó, certifique-se de que o pré-filtro e o recipiente são sempre usados juntos. Não pode instalar apenas o filtro de pó.

Instalar o filtro de água (para o modelo com filtro de pano) (acessório opcional)

⚠ PRECAUÇÃO:

- Nunca aspire água ou pó húmido sem o flutuador e o filtro de pano ou o filtro de água.
- Para aspirar pó húmido, certifique-se de que a caixa do flutuador e o flutuador estão instalados no aspirador de água e pó.
- Ao instalar o filtro de água no depósito, instale-o bem na abertura do depósito para que o gancho do filtro de água encaixe bem na abertura do depósito e para que não haja espaço entre o filtro de água e o depósito.

ATENÇÃO:

- É aconselhável utilizar o filtro de água ao aspirar grandes quantidades de água repetidamente. Caso contrário, a capacidade de aspiração pode ser reduzida em caso de filtro de pano.

Para apenas aspirar água ou pó húmido, o filtro de água é mais adequado do que o filtro de pano.

Ao instalar o filtro de água, alinhe a marca da posição de montagem com a marca no depósito. (Fig. 15)

Instalar o saco de papel (acessório opcional)

⚠ AVISO:

- Ao utilizar o saco de papel, use também o filtro de pano ou o pré-filtro que está pré-instalado na ferramenta. Se não utilizar o filtro de pano/pré-filtro, pode causar ruído e calor involuntários, resultando num incêndio.

⚠ PRECAUÇÃO:

(Para o modelo com filtro de pano)

- Nunca aspire água ou outros líquidos ou pós húmidos ao utilizar o saco de papel. Aspirar tais substâncias pode causar quebras no saco de papel.
- Antes de utilizar o saco de papel, certifique-se de que o filtro de pó (acessório opcional), o recipiente (acessório opcional) e o pré-filtro são sempre usados juntos.

(Para o modelo com filtro de pó)

- Antes de utilizar o saco de papel, certifique-se de que o filtro de pó, o recipiente e o pré-filtro são sempre usados juntos.

1. Retire o suporte de borracha. (Fig. 16)
2. Alargue o saco de papel.

3. Alinhar a abertura do saco de papel com a abertura de aspiração de pó do aspirador de água e pó.
4. Introduza o cartão do saco de papel no suporte para que esteja posicionado na extremidade além da saliência do detentor. (Fig. 17)

Instalar o saco polietileno

O aspirador de água e pó também pode ser usado sem saco de polietileno. No entanto, é mais fácil esvaziar o depósito sem sujar as mãos, utilizando o saco de polietileno.

Espalhe o saco de polietileno no depósito. Introduza-o entre a placa do suporte e o depósito e puxe-o para a entrada do tubo flexível.

Alargue o saco em torno da parte superior do depósito, de modo a que a extremidade do pré-filtro possa apanhar e fixar o saco em segurança. (Fig. 18)

NOTA:

- Pode ser utilizado um saco de polietileno disponível no mercado. É recomendado o saco de 0,04 mm ou maior.
- Demasiado pó irá rasgar o saco com facilidade, por isso, não ultrapasse metade da capacidade do saco ao recolher pó.

Esvaziar o saco polietileno

⚠ AVISO:

- Certifique-se sempre de que o aspirador de água e pó está desligado e com o cabo desligado da corrente antes de esvaziar o saco de polietileno. Caso contrário, poderá causar choques elétricos e ferimentos pessoais graves.

⚠ PRECAUÇÃO:

- Não aplique um impacto grande na caixa do flutuador e no depósito. Aplicar um impacto grande pode causar deformações e danos nas peças.
- Esvazie o depósito, no mínimo, uma vez por dia, apesar disto depender do volume de pó aspirado no depósito. Ou a força de aspiração irá reduzir e o motor pode avariar.
- Não agarre o gancho ao esvaziar o depósito. Agarrar no gancho pode fazer com que este se parta.

Desengate e eleve a tampa do depósito.

Retire o pó do filtro de pano/filtro de pó e, de seguida, retire o saco de polietileno do depósito. (Fig. 19)

NOTA:

- Retire o saco de polietileno com cuidado, de modo a que este não fique preso nem se rasgue devido à saliência no interior do depósito, ao esvaziá-lo.
- Esvazie o saco de polietileno antes de estar cheio. Demasiado pó no depósito pode rasgar o saco de polietileno.

Instalar a caixa de ferramentas

1. Solte o bloqueio da tampa da bateria e abra a tampa da bateria.
2. Coloque as calhas na caixa de ferramentas ao longo das ranhuras no compartimento. (Fig. 20)
3. Feche a tampa da bateria e aplique o bloqueio.

A caixa de ferramentas é conveniente para transportar baterias, código de extensão, tubo ou adaptadores. (Fig. 21)

Ligar o tubo flexível

⚠ PRECAUÇÃO:

- Nunca force o tubo flexível para dobrar ou calcar. Nunca desloque o aspirador de água e pó puxando por um tubo flexível. Forçar, calcar e puxar o tubo flexível, pode causar uma quebra ou deformação no tubo flexível.
 - Ao aspirar resíduos grandes como aparas de plaina, poeira de betão ou algo semelhante, em vez de resíduos pequenos, use o tubo flexível de 38 mm de diâmetro interior (acessório opcional). Utilizar o tubo flexível de 28 mm de diâmetro interior (acessório opcional) pode causar obstruções e danos no mesmo.
- Introduza o tubo flexível na porta de montagem do depósito e rode-o para a direita até bloquear. (Fig. 22)

MANUTENÇÃO

⚠ PRECAUÇÃO:

- Certifique-se sempre de que a ferramenta está desligada e a bateria removida antes de efetuar operações de inspeção ou de manutenção.

Armazenamento do cabo de alimentação (Fig. 23)

Enrole o cabo de alimentação em torno da caixa de ferramentas.

Armazenamento de acessórios (Fig. 24)

Os tubos também podem ser colocados no suporte do tubo quando não utilizar o aspirador de água e pó durante um curto período de tempo. (Fig. 25)

O tubo flexível pode ser armazenado em torno da ferramenta ligando todas as extremidades. (Fig. 26)

Limpeza

⚠ PRECAUÇÃO:

- Nunca utilize gasolina, benzina, diluente, álcool ou semelhante. Podem formar-se descolorações, deformações ou fissuras.

Limpeza do filtro de pano

Apenas para o modelo com filtro de pano

O filtro de pano entupido causa um fraco desempenho de aspiração.

Limpe o filtro de pano periodicamente.

Para retirar pó ou partículas que se colam ao filtro de pano, agite rapidamente a parte inferior da estrutura várias vezes. (Fig. 27)

Limpeza do filtro de pó (HEPA) e pré-filtro

Apenas para o modelo com filtro de pó

Um filtro de pó, pré-filtro e recipiente obstruídos causam um mau desempenho de aspiração.

Limpe os filtros e os recipientes periodicamente.

Para retirar pó ou partículas que se colam aos filtros, agite rapidamente a parte inferior da estrutura várias vezes.

Lave ocasionalmente o filtro de pó em água, lave e seque minuciosamente à sombra antes da utilização. Nunca lave os filtros numa máquina de lavar roupa. (Fig. 28)

NOTA:

- Não esfregue nem arranhe o filtro de pó, pré-filtro ou recipiente com objetos duros como uma escova ou espátula.
- Os filtros desgastam-se ao longo do tempo. É aconselhável ter algumas peças sobresselentes.

Para manter os níveis de SEGURANÇA e FIABILIDADE definidos para este produto, as reparações e os procedimentos de manutenção ou ajustes devem ser executados por centros de assistência Makita autorizados, utilizando sempre peças de substituição Makita.

ACESSÓRIOS OPCIONAIS

PRECAUÇÃO:

- Os seguintes acessórios ou extensões são os recomendados para utilizar com a ferramenta Makita especificada neste manual. A utilização de quaisquer outros acessórios poderá representar um risco de ferimento para as pessoas. Apenas utilize o acessório para o fim indicado.

Se precisar de informações adicionais relativas aos acessórios, contacte o centro local de assistência Makita.

- Bateria e carregador Makita genuínos
- Tubo flexível
- Adaptadores frontais (22, 24, 38)
- Tubo reto
- Bocal para cantos
- Escova redonda
- Filtro de pó, HEPA (para pó seco)
- Recipiente
- Pré-filtro
- Conjunto do bocal
- Tubo dobrado
- Saco de polietileno
- Filtro de água (opção para o modelo com filtro de pano)
- Saco de papel
- Conjunto do suporte

NOTA:

- Alguns itens na lista podem estar incluídos no pacote de ferramentas como acessórios de série. Podem diferir de país para país.

Ruído

ENG905-1

Os níveis acústicos ponderados A típicos foram determinados segundo a IEC60335-2-69:

Nível de pressão sonora (L_{pA}): 75 dB (A)
Incerteza (K): 2,5 dB (A)

O nível de ruído quando em funcionamento pode exceder os 80 dB (A).

ENG907-1

- O(s) valor(es) da emissão de ruído indicado(s) foi medido de acordo com um método de teste padrão e pode ser utilizado para comparar duas ferramentas.
- O(s) valor(es) da emissão de ruído indicado(s) pode também ser utilizado na avaliação preliminar da exposição.

AVISO:

- Utilize protetores auriculares.
- A emissão de ruído durante a utilização real da ferramenta elétrica pode diferir do(s) valor(es)

indicado(s), dependendo das formas como a ferramenta é utilizada, especialmente o tipo de peça de trabalho que é processada.

- Certifique-se de identificar as medidas de segurança para proteção do operador que sejam baseadas em uma estimativa de exposição em condições reais de utilização (considerando todas as partes do ciclo de operação, tal como quando a ferramenta está desligada e quando está a funcionar em marcha lenta além do tempo de acionamento).

Vibração

ENG900-1

O valor total da vibração (soma vetorial triaxial) é determinado segundo a IEC 60335-2-69:

Emissão de vibração (a_{h1}): 2,5 m/s² ou menos
Incerteza (K): 1,5 m/s²

ENG901-2

- O(s) valor(es) total(ais) de vibração indicado(s) foi medido de acordo com um método de teste padrão e pode ser utilizado para comparar duas ferramentas.
- O(s) valor(es) total(ais) de vibração indicado(s) pode também ser utilizado na avaliação preliminar da exposição.

AVISO:

- A emissão de vibração durante a utilização real da ferramenta elétrica pode diferir do(s) valor(es) indicado(s), dependendo das formas como a ferramenta é utilizada, especialmente o tipo de peça de trabalho que é processada.
- Certifique-se de identificar as medidas de segurança para proteção do operador que sejam baseadas em uma estimativa de exposição em condições reais de utilização (considerando todas as partes do ciclo de operação, tal como quando a ferramenta está desligada e quando está a funcionar em marcha lenta além do tempo de acionamento).

Declaração de conformidade da CE

Apenas para os países europeus

A declaração de conformidade da CE está incluída como Anexo A neste manual de instruções.

DANSK (Originalvejledning)

ADVARSEL

- Denne maskine er ikke beregnet til brug af personer, herunder børn, med reducerede fysiske, sensoriske eller mentale færdigheder eller manglende erfaring og viden.
- Børn skal overvåges for at sikre, at de ikke leger med støvsugerens.
- Hvis ledningen er beskadiget, skal den udskiftes af et autoriseret serviceværksted.
- Se kapitlet "SPECIFIKATIONER" for batteriets typereference.
- Se afsnittet "Installation eller fjernelse af akkuen" for at finde ud af, hvordan man fjerner eller installerer batteriet.
- Når du bortskaffer akkuen, skal du afmontere den fra maskinen og bortskaffe den på et sikkert sted. Følg dine lokale regler vedrørende bortskaffelse af batterier.
- Hvis maskinen ikke skal bruges i en længere periode, skal batteriet fjernes fra maskinen.
- Akkuen må ikke kortsluttes.
- Se kapitlet "VEDLIGEHOLDELSE" for at få de relevante oplysninger om forholdsregler under brugervedligeholdelse

Forklaring til generel oversigt

- | | | |
|--|-----------------------------------|------------------------------|
| 1. Stik (udformningen og længden af ledningen varierer muligvis fra land til land) | 10. Justeringsknap for sugestyrke | 21. Spjæld |
| 2. Indikator for vekselstrøm | 11. Styrehjul | 22. Forfilter |
| 3. Lås | 12. Låsearm | 23. Monteringspositionsmærke |
| 4. Batteridæksel | 13. FRI-position | 24. Vandfilter |
| 5. Batteripakke | 14. LÅST-position | 25. Gummiholder |
| 6. Kontrolknap | 15. Tankdæksel | 26. Papirpose |
| 7. Indikatorlamper | 16. Flyder | 27. Holder |
| 8. Stand-by-kontakt | 17. Flyderbur | 28. Holderplade |
| 9. Tænd/sluk-knap | 18. Stoffilter | 29. Polyethylenpose |
| | 19. Tank | |
| | 20. Pulverfilter (HEPA) | |

SPECIFIKATIONER

Model		DVC860L	DVC861L
Standard filtertype		Stoffilter (til tørt og vådt støv)	Pulverfilter (til tørt støv)
Gennemstrømningsmængde (luft)	Betjening på jævnstrøm (med BL1830, ø38 mm x 2,5 m slange)	2,1 m ³ /min	
	Betjening på vekselstrøm (med ø38 mm x 2,5 m slange)	3,6 m ³ /min	
Sugekraft	Betjening på jævnstrøm (med BL1830, ø38 mm x 2,5 m slange)	90 hPa	
	Betjening på vekselstrøm (med ø38 mm x 2,5 m slange)	240 hPa	
Opsamlingskapacitet	Støv	8 l	
	Vand	6 l	–
Mål (L x B x H)		366 mm x 334 mm x 368 mm	
Elektrisk mærkning med vekselstrømsdrift		Afhænger af landet. Referer til navnepladen.	
Nominel spænding (betjening med batterier)		36 V jævnstrøm	
Nettovægt		8,6 - 9,2 kg	9,3 - 9,9 kg
Beskyttelsesgrad		IPX4	
Sikkerhedsklasse		□/II	

- På grund af vores løbende forsknings- og udviklingsprogram kan specifikationer heri ændres uden forudgående varsel.
- Specifikationer og akku kan variere fra land til land.
- Vægten inkluderer akku(er), men ikke tilbehør. Vægten af den letteste og tungeste kombination af apparat og akku(er) er vist i tabellen.
- Til vådt støv behøves der flyderen og vandfilteret eller stoffilteret.

Anvendelig batteripakke og oplader

Batteripakke	BL1815N/BL1820B/BL1830B/BL1840B/BL1850B/BL1860B
Oplader	DC18RC/DC18RD/DC18RE/DC18SD/DC18SE/DC18SF/DC18SH

- Nogle af de ovennævnte batteripakker og opladere er muligvis ikke til rådighed, afhængigt af den region du bor i.

⚠ ADVARSEL:

- **Brug kun de ovennævnte batteripakker og opladere.** Brug af nogen andre batteripakker og opladere kan muligvis forårsage personskade og/eller brand.

Symboler

END118-1

Følgende viser de symboler, der muligvis anvendes til udstyret. Sørg for, at du forstår deres betydning før brugen.



..... Læs brugsanvisningen.



..... Vær særlig forsigtig og opmærksom.



..... Advarsel! Støvsugeren indeholder muligvis sundhedsfarligt støv.



..... Stå aldrig på støvsugeren.



..... Støvklasser L (let). Støvsugererne er i stand til at opsamle støvklasser L. Følg bestemmelserne i dit land mht. støv samt helbred og sikkerhed under arbejde.



..... DOBBELT ISOLERET



..... Kun for lande inden for EU

På grund af tilstedeværelsen af farlige komponenter i udstyret kan affald af elektrisk og elektronisk udstyr, akkumulatører og batterier have en negativ indvirkning på miljøet og folkesundheden.

Bortskaf ikke elektriske og elektroniske apparater eller batterier sammen med husholdningsaffald!

I overensstemmelse med EF-direktiv om affaldshåndtering af elektrisk og elektronisk udstyr og om akkumulatører og batterier og affaldsakkumulatører og -batterier, og i overensstemmelse med national lovgivning, skal brugt elektrisk udstyr, batterier og akkumulatører opbevares separat og leveres til et separat indsamlingssted for kommunalt affald, der er etableret i henhold til bestemmelserne om miljøbeskyttelse. Dette er angivet ved symbolet på den krydsede skraldespand, der er placeret på udstyret.

Tilsigtet brug

ENE084-1

Maskinen er egnet til kommerciel brug, for eksempel i hoteller, skoler, hospitaler, fabrikker, butikker, kontorer og udlejningsvirksomheder.

DVC860L

Maskinen er beregnet til opsugning af både vådt og tørt støv.

DVC861L

Maskinen er kun beregnet til opsugning af tørt støv.

Strømforsyning

ENF002-2

Værktøjet bør kun sluttes til en strømforsyning med den spænding, der er angivet på mærkepladen, og det kan kun benyttes med enkeltfasen vekselstrøm. Det er dobbelt isoleret og kan derfor også sluttes til stikkontakter uden jordforbindelse.

Sikkerhedsadvarsler for støvsuger med eller uden ledning

ENB124-5

⚠ **ADVARSEL: VIGTIGT! LÆS OMHYGGELEGT alle sikkerhedsadvarsler og alle instruktioner FØR BRUGEN.** Hvis advarslerne og instruktionerne ikke overholdes, kan det medføre elektrisk stød, brand og/eller alvorlig personskade.

1. **Før brugen skal du sørge for, at denne støvsuger anvendes af personer, der er tilstrækkeligt oplært i brugen af støvsugeren.**
2. **Før brugen skal operatører have oplysninger, instruktioner og oplæring i brugen af maskinen og de stoffer, den kan anvendes til, herunder den sikre metode til fjernelse og bortskaffelse af det opsamlede materiale.**
3. **Sluk med det samme, hvis der kommer skum/væske ud.**
4. **Rengør jævnligt enheden til begrænsning af vandstanden, og undersøg den for tegn på skader.**
5. **Anvend ikke støvsugeren uden filteret. Udskift øjeblikkeligt et beskadiget filter.**
6. **BRUG AF FORLÆNGERLEDNING.** Ved brug af forlængerledning på grund af den store afstand til strømkilden, så forsøg at bruge en ledning, der er tilstrækkelig tyk, men ikke for lang, da støvsugerens ydeevne kan blive påvirket negativt. Brug en forlængerledning, der er beregnet til udendørs brug, når maskinen anvendes udendørs.
7. **SPÆNDINGSADVARSEL:** Før tilslutning af støvsugeren til en strømkilde (stikkontakt, udtag mv.) så sørg for, at forsyningsspændingen er den samme som den, der er angivet på støvsugerens typeskilt. En strømkilde med en spænding, der er højere end den, der er angivet for støvsugeren, kan resultere i ALVORLIG PERSONSKADE såvel som beskadigelse af støvsugeren. I tvivlstilfælde, TILSLUT IKKE STØVSUGEREN. Brug af en strømkilde med spænding, der er lavere end typeskiltets mærkedata, er skadelig for motoren.

8. **UNDGÅ, AT MASKINEN STARTER VED ET UHELD.** Sørg for, at kontakten er SLUKKET ved tilslutning af maskinen.
9. Forsøg ikke at opsuge brændbare materialer, fyrværkeri, tændte cigaretter, varm aske, varme metalspåner, skarpe genstande som f.eks. barberblade, nåle, glasskår eller lignende.
10. **BRUG ALDRIG STØVSUGEREN I NÆRHEDEDEN AF BENZIN, GAS, MALING, LIM ELLER ANDRE STÆRKT EKSPLOSIONSFARLIGE STOFFER.** Afbryderen udsender gnister, når der tændes eller slukkes. Det samme gør motorkommutatoren under brugen. Det kan medføre farlig eksplosion.
11. Støvsug aldrig giftstoffer, kræftfremkaldende stoffer, brændbare stoffer eller andre farlige materialer som f.eks. asbest, arsenik, barium, beryllium, bly, insektmidler eller andre sundhedsskadelige materialer.
12. Placér altid støvsugeren på en horisontal plan overflade for at forhindre, at den falder eller flytter sig ved et uheld.
13. Brug aldrig støvsugeren udenfor i regnvejr.
14. I Finland er det ikke tilladt at benytte maskinen ved lave udendørstemperaturer.
15. Brug ikke i nærheden af varmekilder (kømfurur og lignende).
16. Hvis udstødningsluften sendes tilbage i rummet, er det nødvendigt at bruge passende luftudvekslingshastighed i rummet. Reference til nationale reguleringer er nødvendig.
17. **BESKYTTELSE MOD ELEKTRISK STØD.** Undgå kropskontakt med jordforbundne overflader. For eksempel rør, radiatorer, mikrobølgeovne og køleskabsskabe.
18. Bloker ikke ventilationsåbningerne til afkøling. Disse ventilationsåbninger muliggør afkøling af motoren. Blokering skal undgås omhyggeligt, da motoren ellers vil brænde sammen på grund af manglende ventilation.
19. Oprethold til enhver tid korrekt fodfæste og balance.
20. **OVERBELAST IKKE LEDNINGEN.** Bær aldrig støvsugeren i ledningen eller træk i den for at tage den ud af stikkontakten. Hold ledningen væk fra varme, olie og skarpe kanter. Kontroller støvsugerledningerne med jævne mellemrum. Hvis de er blevet beskadiget, skal de repareres på et autoriseret serviceværksted. Kontroller forlængerledninger regelmæssigt, og udskift dem eventuelt, hvis de er blevet beskadiget.
21. Undlad at sammenfolde, rykke i eller træde på slangen.
22. Stop med det samme støvsugeren, hvis du bliver opmærksom på dårlig ydelse eller noget unormalt under brugen.
23. **FRAKOBL STØVSUGEREN.** Når maskinen ikke er i brug, før service, og når der skiftes tilbehør.
24. Rengør og servicer støvsugeren umiddelbart efter hver brug for at holde den i tiptop funktionstilstand.
25. **VEDLIGEHOLD STØVSUGEREN OMHYGGELIGT.** Hold støvsugeren ren for at opnå bedre og sikrere ydelse. Følg instruktionerne for udskiftning af tilbehør. Hold håndtagene tørre, rene og fri for olie og fedt.
26. **KONTROLLER BESKADIGEDE DELE.** Før støvsugeren bruges igen, skal en beskyttelseskærm eller anden del, som er beskadiget, kontrolleres omhyggeligt for at fastslå, om den vil fungere korrekt og udføre sin tilsigtede funktion. Kontroller for justeringen af bevægelige dele, binding af bevægelige dele, brud på dele, montering og alle andre forhold, der kan påvirke funktionaliteten. En beskyttelseskærm eller anden del, der er beskadiget, skal repareres korrekt eller udskiftes af et autoriseret servicecenter, medmindre andet fremgår andetsteds i denne brugsanvisning. Få defekte afbrydere udskiftet hos et autoriseret servicecenter. Brug ikke støvsugeren, hvis afbryderen ikke kan tænde eller slukke for den.
27. For brugerservicering skal maskinen skilles ad, rengøres og serviceres så vidt muligt praktisk uden at udgøre en risiko for vedligeholdelsespersonalet og andre.
28. Der skal foretages teknisk inspektion af maskinen af producenten eller en instrueret person mindst én gang om året, f.eks. bestående af inspektion af filtrene for skader, om maskinen er lufttæt, og om kontrolmekanismen fungerer korrekt.
29. Ved udførelse af service- eller reparationshandlinger skal alle forurenede elementer, som ikke kan rengøres tilfredsstillende, bortskaffes i tætte poser i overensstemmelse med eventuel lovgivning vedrørende bortskaffelse af sådant affald.
30. **RESERVEDELE.** Brug kun identiske reservedele i forbindelse med service.
31. **OPBEVAR STØVSUGEREN, NÅR DEN IKKE BRUGES.** Når maskinen ikke er i brug, skal den opbevares indendørs.
32. Våde filtre og den indvendige del af væskebeholderen skal tørres før opbevaring.
33. Behandl din støvsuger godt. Hårdhåndet behandling kan medføre, at selv den mest solidt byggede støvsuger går i stykker.
34. Forsøg ikke at rengøre udvendigt eller indvendigt med benzen, fortynder eller kemiske rengøringsmidler. Dette kan medføre revner og misfarvning.
35. Brug ikke støvsugeren i et aflukket lokale, hvor der afgives brændbare, eksplosive eller giftige dampe fra oliebaseret maling, malingsfortynder, benzin, visse mælmidler osv., eller på steder med brandfarligt støv.
36. Efterlad ikke støvsugerens ledning på gulvet, når du er færdig med en rengøringsopgave. Den kan udgøre en faldrisiko eller kan beskadige støvsugeren.
37. Anvend ikke denne eller andre maskiner, hvis du er påvirket af narkotika eller alkohol.
38. Anvend som grundlæggende sikkerhedsregel beskyttelsesbriller eller sikkerhedsbriller med sideværn.
39. Brug en støvmaske i støvede arbejdsforhold.
40. Denne maskine er ikke beregnet til brug af personer, herunder børn, med reducerede fysiske,

sensoriske eller mentale færdigheder eller manglende erfaring og viden.

41. Børn skal overvåges for at sikre, at de ikke leger med støvsugeren.
42. Håndter aldrig forbindelsesledningens stik eller støvsugeren med våde hænder.
43. Vær ekstremt forsigtig ved rengøring på trapper.
44. Anvend ikke støvsugeren som taburet eller arbejdsbænk. Maskinen kan falde ned og forårsage personskade.

Brug og vedligeholdelse af batteriet

1. **Oplad kun med den oplader, som producenten angiver.** En oplader, der passer til én type batteri, kan forårsage brand, hvis den anvendes med et andet batteri.
2. **Brug kun el-værktøjer sammen med de tilhørende batteripakker.** Brug af andre batteripakker kan forårsage personskade og brand.
3. **Når batteripakker ikke anvendes, skal de holdes borte fra andre metalgenstande som papirclips, mønter, nøgler, søm, skruer og andre små metalgenstande, der kan skabe forbindelse mellem terminalerne.** Hvis batteriets terminaler kortsluttes, kan det forårsage brand.
4. **I tilfælde af misbrug kan der sprøjte væske ud fra batteriet. Undgå kontakt. Skyl med vand, hvis De kommer i kontakt med væsken. Søg læge, hvis De får væske i øjet.** Væske, der sprøjter ud fra batteriet, kan medføre irritation eller forbrændinger.
5. **Undlad at bruge en akku eller maskine, der er beskadiget eller ændret.** Beskadede eller ændrede batterier kan fungere uforudsigeligt og medføre brand, eksplosion eller risiko for personskade.
6. **Undlad at udsætte en akku eller maskine for brand eller høje temperaturer.** Udsættelse for brand eller temperaturer på over 130 °C kan medføre eksplosion.
7. **Følg alle instruktioner vedrørende opladning, og undlad at oplade akkuen eller maskinen uden for det temperaturinterval, der er angivet i instruktionerne.** Opladning, der udføres forkert eller ved temperaturer uden for det angivne temperaturinterval, kan beskadige batteriet og medføre øget risiko for brand.

GEM DENNE BRUGSANVISNING.

ADVARSEL:

LAD IKKE tryghed eller kendskab til produktet (fra gentagen brug) føre til, at du ikke strengt overholder sikkerhedsreglerne for det gældende produkt.

MISBRUG eller manglende overholdelse af sikkerhedsreglerne i denne brugsanvisning kan medføre alvorlig personskade.

Vigtige sikkerhedsinstruktioner for akkuen

ENC007-17

1. **Læs alle instruktioner og advarselsmærkater på (1) akku-opladeren, (2) akkuen og (3) produktet, som anvender akku.**
2. **Adskil eller ændr ikke akkuen.** Det kan muligvis resultere i en brand, overdreven varme eller eksplosion.

3. **Hold straks op med anvendelsen, hvis brugstiden er blevet stærkt afkortet.** Fortsat anvendelse kan resultere i risiko for overophedning, forbrændinger og endog eksplosion.
4. **Hvis De har fået elektrolytvæske i øjnene, skal De straks skylle den ud med rent vand og derefter øjeblikkeligt søge lægehjælp.** I modsat fald kan De miste synet.
5. **Vær påpasselig med ikke at komme til at kortslutte akkuen:**
 - (1) **Rør ikke ved terminalerne med noget ledende materiale.**
 - (2) **Undgå at opbevare akkuen i en beholder sammen med andre genstande af metal, for eksempel søm, mønter og lignende.**
 - (3) **Udsæt ikke akkuen for vand eller regn.** Kortslutning af akkuen kan forårsage en kraftig øgning af strømmen, overophedning, mulige forbrændinger og endog værktøjstop.
6. **Opbevar og brug ikke maskinen og akkuen på steder, hvor temperaturen muligvis kan nå eller overstige 50 °C.**
7. **Lad være med at brænde akkuen, selv ikke i tilfælde, hvor den har lidt alvorlig skade eller er fuldstændig udtjent.** Akkuen kan eksplodere, hvis man forsøger at brænde den.
8. **Slå ikke søm i, skær ikke i, knus, kast, tab ikke akkuen og stød ikke akkuen mod en hård genstand.** Sådan adfærd kan muligvis resultere i en brand, overdreven varme eller eksplosion.
9. **Anvend ikke en beskadiget akku.**
10. **De indbyggede litium-ion-batterier er underlagt lovkrav vedrørende farligt gods.** Ved kommerciel transport, f.eks. af tredjeparts transportselskaber, skal særlige krav til forpakning og mærkning overholdes. Ved forberedelse af udstyret til forsendelse skal du kontakte en ekspert i farligt gods. Overhold også eventuel mere detaljeret national lovgivning. Tape eller tildæk åbne kontakter, og pak batteriet på en måde, så det ikke kan flytte sig rundt i pakningen.
11. **Når akkuen bortskaftes, skal du fjerne den fra maskinen og bortskafe den på et sikkert sted. Følg de lokale love vedrørende bortskaftelsen af batterier.**
12. **Brug kun batterierne med de produkter, som Makita specificerer.** Hvis batterierne installeres i ikke-kompatible produkter, kan det medføre brand, kraftig varme, eksplosion eller udsivning af elektrolyt.
13. **Hvis maskinen ikke skal bruges i længere tid ad gangen, skal du fjerne batteriet fra maskinen.**
14. **Akkuen kan muligvis under og efter brug være varm, hvilket kan forårsage forbrændinger eller lavtemperaturforbrændinger. Vær påpasselig med håndtering af varme akkuer.**
15. **Rør ikke terminalen på maskinen straks efter brug, da den bliver varm nok til at forårsage forbrændinger.**
16. **Sørg for, at spåner, støv eller jord ikke sætter sig fast i akkuens terminaler, huller og riller.** Det kan forårsage opvarmning, antændelse, sprængning og funktionsfejl i maskinen eller akkuen, hvilket kan medføre forbrændinger eller personskade.

17. **Medmindre maskinen understøtter brugen i nærheden af elektriske højspændingsledninger, skal du ikke anvende akkuen i nærheden af elektriske højspændingsledninger.** Det kan muligvis medføre funktionsfejl på eller nedbrud af maskinen eller akkuen.
18. **Opbevar batteriet utilgængeligt for børn.**

GEM DENNE BRUGSANVISNING.

⚠ FORSIGTIG: Brug kun originale batterier fra Makita. Brug af uoriginale Makita-batterier, eller batterier som er blevet ændret, kan muligvis medføre brud på batteriet, hvilket kan forårsage brand, personskade eller beskadigelse. Det ugyldiggør også Makita-garantien for Makita-maskinen og opladeren.

Tips til opnåelse af maksimal akku-levetid

1. **Oplad akkuen, inden den er helt afladet. Stop altid værktøjet, og oplad akkuen, hvis De bemærker, at værktøjeffekten er aftagende.**
2. **Genoplad aldrig en fuldt opladet akku. Overopladning vil afkorte akkuens levetid.**
3. **Oplad akkuen ved stuetemperatur ved 10 °C - 40 °C. Lad altid en varm akku få tid til at køle af, inden den oplades.**
4. **Når du ikke anvender akkuen, skal du fjerne den fra maskinen eller opladeren.**
5. **Oplad akkuen, hvis De ikke skal bruge den i længere tid (mere end seks måneder).**

FUNKTIONSBESKRIVELSE

Brug med vekselstrøm:

⚠ ADVARSEL:

- **Inden støvsugeren sluttes til stikkontakten, skal det altid sikres, at den er slukket.** Tilsluttes støvsugeren med kontakten slået til, kan det medføre en uventet start og forårsage alvorlig personskade.

Tilslut stikket til en strømforsyning. (Fig. 1)

Indikatoren for vekselstrøm lyser, når stand-by-kontakten indstilles til "I"-siden. (Fig. 2)

BEMÆRK:

- Selv ved betjening i jævnstrømtilstand skifter maskinen automatisk til vekselstrømtilstand, når stikket sættes i stikkontakten.
- Hvis maskinens stik tages ud af stikkontakten under betjening med batteriet isat, går støvsugeren ind i stand-by-tilstand.

Brug med batteri:

Montering eller afmontering af batteripakke

⚠ FORSIGTIG:

- Sørg altid for, at støvsugeren er slukket, stikket er taget ud, og at batteripakken er fjernet, før du justerer maskinen eller kontrollerer dens funktion.
- **Hold godt fast i støvsugeren og batteripakken, når du monterer eller afmonterer batteripakken.** Hvis støvsugeren og batteripakken ikke holdes ordentligt

fast, kan de glide ud af hænderne og resultere i skader på støvsugeren og batteripakken samt personskade.

- **Pas på du ikke klemmer fingrene, når du åbner eller lukker batteridækslet.** Ellers kan det medføre personskader.

For at montere batteripakken skal du først låse låsen op og åbne batteridækslet. Sæt derefter batteripakken i. (Fig. 3)

Juster tungen på batteripakken med rillen i huset, hvorefter pakken skubbes ind på plads. Sæt den hele vejen ind, indtil den låses på plads med et lille klik. Lås derefter batteridækslet. (Fig. 4)

Afmonter batteripakken ved at holde ned på knappen foran på batteripakken og skubbe den af maskinen.

BEMÆRK:

- Fjern støvsugerens stik fra forlængerledningen, når du anvender støvsugeren med batterierne.

⚠ FORSIGTIG:

- Sæt altid batteripakken helt ind på plads. Ellers kan den falde ud af maskinen og skade dig eller andre personer i nærheden.
- Anvend ikke kræfter ved monteringen af batteripakken. Hvis den ikke glider let ind, er den ikke indsat korrekt.

BEMÆRK:

- Støvsugeren fungerer ikke med kun én batteripakke.

Maskin-/batteribeskyttelsessystem


Maskinen er udstyret med et maskin-/batteribeskyttelsessystem. Dette system slukker automatisk for strømmen til motoren for at forlænge maskin- og batterilevetiden.

Maskinen stopper automatisk under anvendelsen, hvis maskinen eller batteriet udsættes for en af de følgende situationer. I visse situationer lyser indikatorerne.

Overbelastningsbeskyttelse

Hvis maskinen overbelastes, stopper maskinen automatisk. I denne situation skal du slukke for maskinen og standse den anvendelse, som gjorde maskinen overbelastet. Tænd derefter på maskinen for starte igen.

Overophedningsbeskyttelse for maskine

<input type="checkbox"/> : Tændt	<input type="checkbox"/> : Blinker
	

015485

Når maskinen overophedes, standser maskinen automatisk, og batteriindikatoren blinker i ca. 60 sekunder. I denne situation skal du lade maskinen køle af, inden du tænder for maskinen igen.

Overafladningsbeskyttelse

Når batterikapaciteten bliver lav, stopper maskinen automatisk. Hvis produktet ikke fungerer, selv når kontakterne betjenes, skal du fjerne batterierne fra maskinen og oplade batterierne.

Indikering for resterende batterikapacitet (Fig. 5 og 6)

Tryk på kontrolknappen for at få batteriindikatorerne til at vise de resterende batterikapaciteter. Batteriindikatorerne modsvarer til hvert enkelt batteri.

Indikering for resterende batterikapacitet

Batteriindikatorstatus			Resterende batterikapacitet
: Tændt	: Slukket	: Blinker	
			50% - 100%
			20% - 50%
			0% - 20%
			Oplad batteriet

015527

Angivelse af den resterende batterikapacitet

Kun til batteripakker med indikatoren (Fig. 7)

Tryk på kontrolknappen på batteripakken for at få angivet den resterende batterikapacitet. Indikatorlamperne lyser i nogle få sekunder.

Indikatorlamper			Resterende kapacitet
Tændt	Slukket	Blinker	
			75% til 100%
			50% til 75%
			25% til 50%
			0% til 25%
			Oplad batteriet.
			Der opstod muligvis funktionsfejl på batteriet.

015658

BEMÆRK:

- Afhængigt af anvendelsesforholdene og den omgivende temperatur, kan angivelsen muligvis afvige en smule fra den egentlige kapacitet.

Betjening af afbryderkontakt (Fig. 8)

For at starte støvsugeren:

- Indstil stand-by-kontakten til "I"-siden. Støvsugeren går ind i stand-by-tilstand.
- Tryk på tænd/sluk-knappen.

For at få støvsugeren i stand-by-tilstand skal du trykke på tænd/sluk-knappen igen.

For at slukke for støvsugeren skal du indstille stand-by-kontakten til "O"-siden.

Sugestykken kan justeres i henhold til dit arbejdsbehov. Sugestykken kan forøges ved at dreje justeringsknappen for sugestykke fra -symbolet til -symbolet.

BEMÆRK:

- Indstil altid stand-by-kontakten til "O"-siden, når du ikke anvender støvsugeren i længere tid. Støvsugeren forbruger strøm i stand-by-tilstanden.

Automatisk sugestop under vådsugning (for stoffiltermodellen)

⚠ ADVARSEL:

- Må ikke anvendes i længere tid, når flyderen er aktiveret.** Bruges støvsugeren i længere tid, mens flyderen er aktiveret, kan det medføre overophedning og resultere i deformation af støvsugeren.
- Opsug ikke skum eller sæbeagtig væske.** Opsugning af skum eller sæbeagtig væske kan medføre, at der kommer skum ud af luftudgangen, inden flyderen fungerer. Fortsat brug i denne tilstand kan medføre elektrisk stød og sammenbrud af støvsugeren.

Automatisk sugestop fungerer kun ved brug med flyderen og flyderburet.

Støvsugeren er udstyret med en flydemekanisme, der forhindrer, at der trænger vand ind i motoren, når den opsuger mere end en vis mængde vand.

Når tanken er fuld, og støvsugeren ikke længere opsamler vand, skal du slukke for støvsugeren og tømme tanken.

Låsning og oplåsning af styrehjulet (Fig. 9)

For at låse styrehjulet med en låsearm skal du sænke låsearmen, og styrehjulet vil ikke længere kunne rotere. For at frigøre styrehjulet fra den låste position skal du løfte op i låsearmen.

Låsning af styrehjulet er praktisk ved opbevaring af støvsugeren, ved midlertidig standsning af arbejdet og til at holde støvsugeren stille.

Låsearmen flyttes med håndkraft.

BEMÆRK:

- Sørg for at styrehjulet ikke er låst, når du flytter støvsugeren. Flyttes støvsugeren, mens styrehjulet er i den låste position, kan det muligvis beskadige styrehjulet.

Bærehåndtag (Fig. 10)

Når du bærer på støvsugeren, skal du bære den i håndtaget oven på støvsugeren. Håndtaget er placeret nede i støvsugerens hoved, når det ikke er i brug.

BESKRIVELSE AF DELE

Model DVC860L

(Stoffiltermodel (til tørt og vådt støv)) (Fig. 11)

Model DVC861L

(Pulverfiltermodel (til tørt støv)) (Fig. 12)

MONTERING

FORSIGTIG:

- Sørg altid for, at støvsugeren er slukket, stikket er taget ud, og at batteripakken er fjernet, før du udfører nogen form for arbejde på støvsugeren.
- Anvend altid en støvmaske under samling eller vedligeholdelse.

Installation af pulverfilteret (HEPA) og forfilteret (til tørt støv) (Fig. 13 og 14)

Fås som tilbehør til stoffiltermodellen

FORSIGTIG:

- Opsaml aldrig vand eller andre væsker eller vådt støv, når du anvender pulverfilteret. Opsamling af sådanne ting kan medføre, at pulverfilteret går i stykker.

For at anvende pulverfilteret skal du fjerne flyderburet og flyderen ved at fjerne boltene.

Placer forfilteret i tanken.

Montér derefter spjældet på pulverfilteret og placer dem herefter i forfilteret.

Når pulverfilteret og forfilteret installeres, skal monteringspositionsmærkerne på dem justeres ind med mærket øverst i tanken.

Monter til sidst tankdækslet og lås det.

BEMÆRK:

- Inden brug af pulverfilteret skal du sikre dig, at forfilteret og spjældet altid anvendes sammen. Det er ikke tilladt at installere pulverfilteret alene.

Montering af vandfilteret (til stoffiltermodel) (fås som tilbehør)

FORSIGTIG:

- Opsug aldrig vand eller vådt støv uden flyderen og stoffilteret eller vandfilteret.
- For at opsamle vådt støv skal du sørge for at flyderburet og flyderen er monteret på støvsugeren.
- Når du installerer vandfilteret i tanken, skal du sætte det stramt ved åbningen af tanken, så vandfilterets krog griber ordentligt fat i tankåbningen, og der ikke er noget mellemrum mellem vandfilteret og tanken.

BEMÆRK:

- Det anbefales at anvende vandfilteret, når der gentagne gange opsamles store mængder vand. Ellers kan sugeevnen muligvis blive reduceret i tilfælde af stoffilteret.

Hvis der kun skal opsuges vand eller vådt støv, er vandfilteret mere effektivt end stoffilteret.

Når du monterer vandfilteret, skal du rette dets monteringspositionsmærke ind med det på tanken. (Fig. 15)

Montering af papirposen (fås som tilbehør)

ADVARSEL:

- Ved anvendelse af papirposen skal du også samtidigt anvende det stoffilter eller forfilter, der er formonteret på maskinen. Bruges stoffilteret/forfilteret ikke samtidigt, kan det medføre unormal støj og varmeudvikling, med brand til følge.

FORSIGTIG:

(For stoffiltermodellen)

- Opsaml aldrig vand eller andre væsker eller vådt støv, når du anvender papirposen. Opsamling af sådanne ting kan medføre, at papirposen går i stykker.
- Inden brug af papirposen skal du sikre dig, at pulverfilteret (fås som tilbehør), spjældet (fås som tilbehør) og forfilteret altid anvendes sammen.

(For pulverfiltermodellen)

- Inden brug af papirposen skal du sikre dig, at pulverfilteret, spjældet og forfilteret altid anvendes sammen.

1. Fjern gummiholderen. (Fig. 16)
2. Fold papirposen ud.
3. Juster sugningsåbningen ind med støvindsugningsåbningen på støvsugeren.
4. Indsæt papirposens papstykke på holderen, således at det er sat helt ind på plads og ført over låsefremspringet. (Fig. 17)

Montering af polyethylenposen

Støvsugeren kan også bruges uden polyethylenpose. Men ved anvendelse af polyethylenposen er det nemmere at tømme tanken uden at få beskidte hænder.

Bred polyethylenposen ud i tanken. Indsæt den mellem holderpladen og tanken og træk den hen til slangeindgangen.

Placer posen omkring toppen af tanken, så forfilterkanten kan få fat og holde posen sikkert på plads. (Fig. 18)

BEMÆRK:

- Der kan anvendes en polyethylenpose, som fås på markedet. Der anbefales en på 0,04 mm eller tykkere.
- Hvis der opsamles for meget støv i posen, går den nemt i stykker, så du bør ikke opsamle mere støv, end til posen er halvt fyldt op.

Tømning af polyethylenposen

ADVARSEL:

- Sørg altid for at støvsugeren er slukket, og stikket er taget ud, inden du tømmer polyethylenposen. Sikres dette ikke, kan det medføre elektrisk stød og alvorlig personskade.

FORSIGTIG:

- Tryk ikke hårdt på flyderburet og tanken. Hårdt tryk kan medføre deformation og beskadigelse af delene.
- Tøm tanken mindst én gang om dagen, selvom dette afhænger af den opsamlede støvmængde i tanken. Ellers aftager sugestyrken, og motoren kan gå i stykker.
- Tag ikke fat i krogen, når du tømmer tanken. Tager du fat i krogen kan du risikere, at den går i stykker. Lås tankdækslet op og løft op.

Ryst støvet af stoffilteret/pulverfilteret, og tag derefter polyethylenposen ud af tanken. (Fig. 19)

BEMÆRK:

- Tag forsigtigt polyethylenposen ud fra tanken sådan at polyethylenposen ikke sidder fast i og rives i stykker af fremspringet inde i tanken, når du tømmer den.
- Tøm polyethylenposen inden den er fyldt op. Hvis der er for meget støv i tanken, kan polyethylenposen gå i stykker.

Montering af værktøjskassen

1. Lås batteridækslets lås op og åben batteridækslet.
2. Sæt skinnerne på værktøjskassen langs rillerne i huset. (Fig. 20)
3. Luk batteridækslet og lås låsen.

Værktøjskassen er praktisk til opbevaring af batterier, forlængerledning, rør eller manchetter. (Fig. 21)

Tilslutning af slangen

⚠ FORSIGTIG:

- Anvend aldrig kræfter til at bøje slangen og tramp ikke på den. Flyt aldrig støvsugeren vha. slangen.
- Anvendelse af kræfter på, tramp på eller træk i slangen kan ødelægge eller deformere slangen.
- Ved opsamling af større affaldsrester som f.eks. høvlerester, betonstøv eller andre lignende større affaldsrester, skal du anvende slangen med en indvendig diameter på 38 mm (fås som tilbehør). Anvendelse af slangen med en indvendig diameter på 28 mm (fås som tilbehør) kan medføre tilstopning af slange og skader.

Indsæt slangen i tankens monteringsåbning og drej den med uret indtil den låser. (Fig. 22)

VEDLIGEHODELSE

⚠ FORSIGTIG:

- Sørg altid for, at maskinen er slukket, stikket er taget ud, og at batteripakken er fjernet, før du forsøger at udføre inspektion eller vedligeholdelse.

Opbevaring af strømforsyningsledningen (Fig. 23)

Du kan vikle strømforsyningsledningen omkring værktøjskassen.

Opbevaring af ekstraudstyr (Fig. 24)

Rørene kan placeres i rørholderen, når støvsugeren ikke anvendes i et kort stykke tid. (Fig. 25)

Slangen kan opbevares omkring maskinen ved at tilslutte enderne. (Fig. 26)

Rengøring

⚠ FORSIGTIG:

- Brug aldrig benzin, benzen, fortynder, alkohol eller lignende. Det kan muligvis medføre misfarvning, deformation eller revner.

Rengøring af stoffilter

Kun til stoffiltermodellen

Tilstoppet stoffilter forårsager nedsat sugeevne.

Rengør stoffilteret indimellem.

For at fjerne støv eller partikler som sidder fast i stoffilteret, skal du ryste bundrammen hurtigt adskillige gange. (Fig. 27)

Rengøring af pulverfilter (HEPA) og forfilter

Kun til pulverfiltermodellen

Tilstoppet pulverfilter, forfilter og spjæld kan medføre nedsat sugestyrke.

Rengør ind i mellem filtrerne og spjældene.

For at fjerne støv eller partikler som sidder fast i filtrerne, skal du ryste bundrammen hurtigt adskillige gange.

Vask ind i mellem pulverfilteret med vand, og skyl og tør det omhyggeligt i skyggen inden brug. Vask aldrig filtre i en vaskemaskine. (Fig. 28)

BEMÆRK:

- Du skal hverken skure på eller ridse pulverfilteret, forfilteret eller spjældet med hårde genstande som f.eks. en børste eller en spatel.
- Filtrerne slides ned med tiden. Det anbefales at have nogle ekstra af dem til rådighed.

For at holde produktet SIKKERT og PÅLIDELIGT skal reparationer samt al anden vedligeholdelse eller justering udføres af autoriserede Makita-servicecentre, og der skal altid benyttes Makita-reservedele.

EKSTRAUDSTYR

⚠ FORSIGTIG:

- Dette tilbehør eller ekstraudstyr anbefales til brug med det Makita-værktøj, som er beskrevet i denne brugsanvisning. Brug af andet tilbehør eller ekstraudstyr kan forårsage personskade. Brug kun tilbehør eller ekstraudstyr til det formål, det er beregnet til.

Henvend dig til dit lokale Makita-servicecenter, hvis du har brug for hjælp eller yderligere oplysninger vedrørende tilbehøret.

- Originalt batteri og oplader fra Makita
- Slange
- Frontmanchetter (22, 24, 38)
- Lige rør
- Højmemundstykke
- Rund børste
- Pulverfilter, HEPA (til tørt støv)
- Spjæld
- Forfilter
- Mundstykkemontering
- Bøjlet rør
- Polyethylenpose
- Vandfilter (ekstraudstyr til stoffiltermodellen)
- Papirpose
- Holdersæt

BEMÆRK:

- Visse dele på listen er muligvis indeholdt maskinindpakningen som standardtilbehør. De kan variere fra land til land.

Støj

ENG905-1

Det typiske A-vægtede støjniveau bestemt i overensstemmelse med IEC60335-2-69:

Lydtryksniveau (L_{pA}): 75 dB (A)
Usikkerhed (K): 2,5 dB (A)

Støjniveauet under arbejdet kan være større end 80 dB (A).

ENG907-1

- De(n) angivne støjemissionsværdi(er) er målt i overensstemmelse med en standardtestmetode og kan anvendes til at sammenligne en maskine med en anden.
- De(n) angivne støjemissionsværdi(er) kan også anvendes i en præliminær eksponeringsvurdering.

ADVARSEL:

- **Bær høreværn.**
- **Støjemissionen under den faktiske anvendelse af maskinen kan være forskellig fra de(n) angivne værdi(er), afhængigt af den måde hvorpå maskinen anvendes, især den type arbejdsemne der behandles.**
- **Sørg for at identificere de sikkerhedsforskrifter til beskyttelse af operatøren, som er baseret på en vurdering af eksponering under de faktiske brugsforhold (med hensyntagen til alle dele i brugscyklussen, f.eks. de gange, hvor maskinen er slukket, og når den kører i tomgang i tilgift til afbrydertiden).**

Vibration

ENG900-1

Den samlede vibrationsværdi (treaksial vektorsum) bestemt i overensstemmelse med IEC 60335-2-69:

Vibrationsemission (a_h): 2,5 m/s² eller mindre
Usikkerhed (K): 1,5 m/s²

ENG901-2

- De(n) angivne totalværdi(er) for vibration er målt i overensstemmelse med en standardtestmetode og kan anvendes til at sammenligne en maskine med en anden.
- De(n) angivne totalværdi(er) for vibration kan også anvendes i en præliminær eksponeringsvurdering.

ADVARSEL:

- **Vibrationsemissionen under den faktiske anvendelse af maskinen kan være forskellig fra de(n) angivne værdi(er), afhængigt af den måde hvorpå maskinen anvendes, især den type arbejdsemne der behandles.**
- **Sørg for at identificere de sikkerhedsforskrifter til beskyttelse af operatøren, som er baseret på en vurdering af eksponering under de faktiske brugsforhold (med hensyntagen til alle dele i brugscyklussen, f.eks. de gange, hvor maskinen er slukket, og når den kører i tomgang i tilgift til afbrydertiden).**

EF-overensstemmelseserklæring

Kun for lande i Europa

EF-overensstemmelseserklæringen er inkluderet som Bilag A i denne brugsanvisning.

ΠΡΟΕΙΔΟΠΟΙΗΣΗ

- Το μηχάνημα αυτό δεν προορίζεται για χρήση από άτομα, συμπεριλαμβανομένων των παιδιών, με μειωμένες σωματικές, αισθητήριες ή διανοητικές ικανότητες, ή από άτομα που δεν έχουν πείρα και γνώσεις.
- Τα παιδιά θα πρέπει να επιτηρούνται για να εξασφαλιστεί ότι δεν παίζουν με τη μηχανή.
- Αν το ηλεκτρικό καλώδιο παρουσιάζει ζημιά, πρέπει να αντικατασταθεί σε εξουσιοδοτημένες εγκαταστάσεις σέρβις.
- Για την αναφορά του τύπου της μπαταρίας, δείτε το κεφάλαιο "ΠΡΟΔΙΑΓΡΑΦΕΣ".
- Για τον τρόπο αφαίρεσης ή τοποθέτησης της μπαταρίας, δείτε την ενότητα "Τοποθέτηση ή αφαίρεση της κασέτας μπαταριών".
- Όταν απορρίπτετε την κασέτα μπαταριών, αφαιρέστε την από το εργαλείο και διαθέστε την σε ένα ασφαλές μέρος. Τηρήστε τους τοπικούς κανονισμούς που σχετίζονται με τη διάθεση της μπαταρίας.
- Αν δεν χρησιμοποιείτε το εργαλείο για μεγάλο χρονικό διάστημα, πρέπει να βγάλετε την μπαταρία από το εργαλείο.
- Μη βραχυκυκλώνετε την κασέτα μπαταριών.
- Για τις κατάλληλες λεπτομέρειες των προφυλάξεων κατά τη διάρκεια της συντήρησης από τον χρήστη, δείτε το κεφάλαιο "ΣΥΝΤΗΡΗΣΗ".

Περιγραφή γενικής όψης

- | | | |
|--|---|-----------------------------|
| 1. Βύσμα (το σχήμα και μήκος του καλωδίου ενδέχεται να διαφέρουν από χώρα σε χώρα) | 9. Κουμπί τροφοδοσίας | 19. Δοχείο |
| 2. Ενδεικτική λυχνία εναλλασσόμενου ρεύματος | 10. Κουμπί ρύθμισης δύναμης αναρρόφησης | 20. Φίλτρο σκόνης (HEPA) |
| 3. Κλειδίωμα | 11. Τροχίσκος | 21. Αποσβεστήρας |
| 4. Κάλυμμα μπαταρίας | 12. Ασφαλιστικός μοχλός | 22. Προφίλτρο |
| 5. Κασέτα μπαταρίας | 13. ΕΛΕΥΘΕΡΗ θέση | 23. Ένδειξη θέσης στερέωσης |
| 6. Κουμπί ελέγχου | 14. ΚΛΕΙΔΩΜΕΝΗ θέση | 24. Φίλτρο νερού |
| 7. Ενδεικτικές λυχνίες | 15. Κάλυμμα δοχείου | 25. Λαστιχένιο στήριγμα |
| 8. Διακόπτης αναμονής | 16. Πλωτήρας | 26. Χαρτόνι |
| | 17. Κλωβός πλωτήρα | 27. Στήριγμα |
| | 18. Υφασμάτινο φίλτρο | 28. Πλάκα στήριγματος |
| | | 29. Σάκος πολυαιθυλενίου |

ΠΡΟΔΙΑΓΡΑΦΕΣ

Μοντέλο		DVC860L	DVC861L
Τύπος κανονικού φίλτρου		Υφασμάτινο φίλτρο (για ξηρή και υγρή σκόνη)	Φίλτρο σκόνης (για ξηρή σκόνη)
Όγκος ροής (αέρας)	Λειτουργία συνεχούς ρεύματος (DC) (με BL 1830, εύκαμπτος σωλήνας $\varnothing 38$ mm x 2,5 m)	2,1 m ³ /min	
	Λειτουργία εναλλασσόμενου ρεύματος (AC) (με εύκαμπτο σωλήνα $\varnothing 38$ mm x 2,5 m)	3,6 m ³ /min	
Κενό	Λειτουργία συνεχούς ρεύματος (DC) (με BL 1830, εύκαμπτος σωλήνας $\varnothing 38$ mm x 2,5 m)	90 hPa	
	Λειτουργία εναλλασσόμενου ρεύματος (AC) (με εύκαμπτο σωλήνα $\varnothing 38$ mm x 2,5 m)	240 hPa	
Ικανότητα ανάκτησης	Σκόνη	8 L	
	Νερό	6 L	–
Διαστάσεις (Μ x Π x Υ)		366 mm x 334 mm x 368 mm	
Ηλεκτρικές ονομαστικές τιμές με λειτουργία εναλλασσόμενου ρεύματος		Εξαρτάται από τη χώρα. Ανατρέξτε στην πινακίδα ονομαστικών τιμών.	
Ονομαστική τάση (λειτουργία με μπαταρίες)		DC 36 V	
Καθαρό βάρος		8,6 - 9,2 kg	9,3 - 9,9 kg
Βαθμός προστασίας		IPX4	
Τάξη ασφάλειας		□/II	

- Λόγω του συνεχόμενου προγράμματος που εφαρμόζουμε για έρευνα και ανάπτυξη, τα τεχνικά χαρακτηριστικά στο παρόν έντυπο υπόκεινται σε αλλαγή χωρίς προειδοποίηση.
- Οι προδιαγραφές και η κασέτα μπαταριών μπορεί να διαφέρουν ανάλογα με τη χώρα.
- Το βάρος δεν περιλαμβάνει εξαρτήματα αλλά την(ις) κασέτα(ες) μπαταριών. Το μικρότερο και μεγαλύτερο βάρος των συνδυασμών της συσκευής και της(ων) κασέτας(ών) μπαταριών απεικονίζονται στον πίνακα.
- Για την υγρή σκόνη, είναι απαραίτητα ο πλωτήρας και το φίλτρο νερού ή το υφασμάτινο φίλτρο.

Ισχύουσα κασέτα μπαταρίας και φορτιστής

Κασέτα μπαταρίας	BL1815N/BL1820B/BL1830B/BL1840B/BL1850B/BL1860B
Φορτιστής	DC18RC/DC18RD/DC18RE/DC18SD/DC18SE/DC18SF/DC18SH

- Μερικές από τις κασέτες μπαταριών και φορτιστές που παρατίθενται παρακάτω μπορεί να μην είναι διαθέσιμες ανάλογα με την περιοχή κατοικίας σας.

ΠΡΟΕΙΔΟΠΟΙΗΣΗ:

- **Χρησιμοποιήστε μόνο τις κασέτες μπαταριών και τους φορτιστές που παρατίθενται παρακάτω.** Η χρήση άλλων κασετών μπαταριών και φορτιστών μπορεί να προκαλέσει τραυματισμό ή/και φωτιά.

Σύμβολα

END118-1

Παρακάτω παρουσιάζονται τα σύμβολα που μπορούν να χρησιμοποιηθούν για τον εξοπλισμό. Βεβαιωθείτε ότι κατανοείτε τη σημασία τους πριν από τη χρήση.



..... Διαβάστε το εγχειρίδιο οδηγιών.



..... Δώστε ιδιαίτερη φροντίδα και προσοχή.



..... Προειδοποίηση! Η ηλεκτρική σκούπα μπορεί να περιέχει επικίνδυνη σκόνη.



..... Ποτέ μην στέκεστε πάνω στην ηλεκτρική σκούπα.



..... Κατηγορία σκόνης L (ελαφριά). Οι ηλεκτρικές σκούπες είναι ικανές να συλλέγουν σκόνη τάξης L. Ακολουθήστε τους κανονισμούς της περιοχής σας σχετικά με τις σκόνες και την επαγγελματική υγεία και ασφάλεια.



..... ΔΙΠΛΗ ΜΟΝΩΣΗ



..... Μόνο για τις χώρες της ΕΕ
Λόγω της παρουσίας των επικίνδυνων συστατικών μερών στον εξοπλισμό, ο απόβλητος ηλεκτρικός και ηλεκτρονικός εξοπλισμός, οι συσσωρευτές και οι μπαταρίες μπορεί να έχουν αρνητική επίδραση στο περιβάλλον και την ανθρώπινη υγεία.

Μην απορρίπτετε τις ηλεκτρικές και ηλεκτρονικές συσκευές ή μπαταρίες μαζί με τα οικιακά απορρίμματα! Σύμφωνα με την Ευρωπαϊκή Οδηγία για τον απόβλητο ηλεκτρικό και ηλεκτρονικό εξοπλισμό και για τους συσσωρευτές και μπαταρίες και τους απόβλητους συσσωρευτές και μπαταρίες, καθώς και την προσαρμογή τους στην εθνική νομοθεσία, ο απόβλητος ηλεκτρικός εξοπλισμός, οι μπαταρίες και οι συσσωρευτές θα πρέπει να αποθηκεύονται ξεχωριστά και να παραδίδονται σε ξεχωριστό σημείο συλλογής για δημοτικά απόβλητα, το οποίο λειτουργεί σύμφωνα με τους κανονισμούς για την προστασία του περιβάλλοντος. Αυτό υποδεικνύεται από το σύμβολο του διαγραμμένου τροχοφόρου κάδου

που βρίσκεται αναρτημένο επάνω στον εξοπλισμό.

Προοριζόμενη χρήση

ENE084-1

Το εργαλείο είναι κατάλληλο για εμπορική χρήση, για παράδειγμα, σε ξενοδοχεία, σχολεία, νοσοκομεία, εργοστάσια, καταστήματα, γραφεία και επιχειρήσεις ενοικίασης.

DVC860L

Το εργαλείο προορίζεται για τη συλλογή υγρής και ξηρής σκόνης.

DVC861L

Το εργαλείο προορίζεται για τη συλλογή ξηρής σκόνης μόνο.


Ηλεκτρική παροχή

ENF002-2

Το εργαλείο πρέπει να συνδέεται μόνο σε ηλεκτρική παροχή της ίδιας τάσης με αυτή που αναγράφεται στην πινακίδα ονομαστικών τιμών και μπορεί να λειτουργήσει μόνο με εναλλασσόμενο μονοφασικό ρεύμα. Τα εργαλεία αυτά διαθέτουν διπλή μόνωση και συνεπώς μπορούν να συνδεθούν με πρίζες χωρίς γείωση.

Προειδοποιήσεις ασφάλειας για την ενσύρματη και φορητή σκούπα αναρρόφησης

ENB124-5

 **ΠΡΟΕΙΔΟΠΟΙΗΣΗ: ΣΗΜΑΝΤΙΚΟ! ΔΙΑΒΑΣΤΕ ΠΡΟΣΕΚΤΙΚΑ όλες τις προειδοποιήσεις για την ασφάλεια και όλες τις οδηγίες ΠΡΙΝ ΑΠΟ ΤΗ ΧΡΗΣΗ.** Η μη τήρηση των προειδοποιήσεων και οδηγιών μπορεί να καταλήξει σε ηλεκτροπληξία, πυρκαγιά ή/και σοβαρό τραυματισμό.

1. Πριν από τη χρήση, βεβαιωθείτε ότι αυτή η μηχανή θα χρησιμοποιηθεί από άτομα στα οποία έχουν δοθεί επαρκείς οδηγίες για τη χρήση αυτής της μηχανής.
2. Πριν τη χρήση, στους χειριστές θα δοθούν πληροφορίες, οδηγίες και εκπαίδευση για τη χρήση του μηχανήματος και των ουσιών με τις οποίες θα χρησιμοποιηθεί, συμπεριλαμβανομένης της ασφαλούς μεθόδου αφαίρεσης και διάθεσης του υλικού που συλλέχθηκε.
3. Αν βγει αφρός/υγρό, σβήστε αμέσως.
4. Να καθαρίζετε τακτικά τη διάταξη περιορισμού της στάθμης νερού και να την εξετάζετε για ενδείξεις ζημιάς.
5. Μη χρησιμοποιείτε τη μηχανή χωρίς το φίλτρο. Αντικαταστήστε αμέσως ένα φίλτρο που έχει υποστεί ζημιά.
6. **ΧΡΗΣΗ ΤΟΥ ΚΑΛΩΔΙΟΥ ΠΡΟΕΚΤΑΣΗΣ (ΜΠΑΛΑΝΤΕΖΑΣ).** Όταν χρησιμοποιείτε καλώδιο

- προέκταση (μπαλαντζά) επειδή η ηλεκτρική παροχή απέχει μεγάλη απόσταση, προσπαθήστε να χρησιμοποιήσετε ένα καλώδιο με αρκετά μεγάλο πάχος, αλλά όχι μεγάλο μήκος, διαφορετικά η απόδοση θα μειωθεί. Για εφαρμογές σε εξωτερικούς χώρους, να χρησιμοποιείτε καλώδιο προέκτασης (μπαλαντζά) κατάλληλο για εξωτερική χρήση.
7. **ΠΡΟΕΙΔΟΠΟΙΗΣΗ ΤΑΣΗΣ:** Πριν συνδέσετε τη σκούπα σε ηλεκτρική παροχή (ρευματοδότη, τριζά, κτλ.), βεβαιωθείτε ότι η τάση που παρέχεται είναι η ίδια με αυτή που καθορίζετε στην πινακίδα ονομαστικών τιμών της σκούπας. Ηλεκτρική παροχή με τάση μεγαλύτερη από αυτή που έχει καθοριστεί για τη σκούπα μπορεί να έχει ως αποτέλεσμα **ΣΟΒΑΡΟ ΤΡΑΥΜΑΤΙΣΜΟ** του χειριστή, καθώς και ζημιά στη σκούπα. Αν έχετε αμφιβολίες, **ΜΗΝ ΣΥΝΔΕΣΕΤΕ ΤΟ ΦΙΣ ΤΟΥ ΗΛΕΚΤΡΙΚΟΥ ΚΑΛΩΔΙΟΥ ΤΗΣ ΣΚΟΥΠΑΣ ΣΤΟ ΡΕΥΜΑ.** Αν χρησιμοποιείτε ηλεκτρική παροχή με τάση μικρότερη από την ονομαστική τιμή στην πινακίδα, μπορεί να προκληθεί ζημιά στο μοτέρ.
 8. **ΝΑ ΑΠΟΦΕΥΓΕΤΕ ΤΗΝ ΑΘΕΛΗΤΗ ΕΝΕΡΓΟΠΟΙΗΣΗ.** Βεβαιωθείτε ότι ο διακόπτης είναι **ΚΛΕΙΣΤΟΣ** όταν συνδέετε το φισ του ηλεκτρικού καλωδίου σε ρεύμα.
 9. Μην επιχειρήσετε να συλλέξετε εύφλεκτα υλικά, πυροτεχνήματα, αναμμένα τσιγάρα, καυτές στάχτες, ζεστά μεταλλικά θραύσματα, αιχμηρά αντικείμενα όπως ξυραφάκια, βελόνες, σπασμένο γυαλί ή παρόμοια αντικείμενα.
 10. **ΜΗ ΧΡΗΣΙΜΟΠΟΙΕΙΤΕ ΠΟΤΕ ΤΗ ΜΗΧΑΝΗ ΚΟΝΤΑ ΣΕ ΒΕΝΖΙΝΗ, ΑΕΡΙΑ, ΜΠΟΓΙΑ, ΚΟΛΛΕΣ Ή ΑΛΛΕΣ ΥΨΗΛΑ ΕΚΦΡΗΚΤΙΚΕΣ ΟΥΣΙΕΣ.** Ο διακόπτης παράγει σπινθήρες όταν ενεργοποιείται και απενεργοποιείται. Το ίδιο και ο μετατροπέας μοτέρ κατά τη διάρκεια της λειτουργίας. Μπορεί να προκύψει επικίνδυνη έκρηξη.
 11. Μην αναρροφάτε ποτέ τοξικά, καρκινογόνα, καύσιμα ή άλλα επικίνδυνα υλικά, όπως αμίαντο, αρσενικό, βάριο, βηρύλλιο, μόλυβδο, εντομοκτόνα ή άλλα υλικά που αποτελούν κίνδυνο για την υγεία.
 12. Να τοποθετείτε πάντα τη σκούπα σε οριζόντια επίπεδη επιφάνεια, για να αποφευχθεί η πτώση ή η μετακίνηση της κατά λάθος.
 13. Μη χρησιμοποιείτε ποτέ τη μηχανή σε εξωτερικό χώρο στη βροχή.
 14. Για τη Φιλανδία, αυτό το μηχάνημα δεν πρέπει να χρησιμοποιηθεί σε εξωτερικούς χώρους σε χαμηλή θερμοκρασία.
 15. Μη χρησιμοποιείτε κοντά σε πηγές θερμότητας (φούρνοι, κτλ.).
 16. Αν ο αέρας εξαγωγής επιστρέφει στο δωμάτιο, είναι απαραίτητο να φροντίσετε για τον επαρκή ρυθμό αλλαγής του αέρα στο δωμάτιο. Είναι απαραίτητο να ανατρέξετε στους εθνικούς κανονισμούς.
 17. **ΝΑ ΠΡΟΣΤΑΤΕΥΕΤΕ ΑΠΟ ΤΗΝ ΠΡΟΚΛΗΣΗ ΗΛΕΚΤΡΟΠΛΗΞΙΑΣ.** Αποφεύγετε την επαφή του σώματος με γειωμένες επιφάνειες. Για παράδειγμα, σωλήνες, καλοριφέρ, φούρνους και ψυγεία.
 18. Μη φράσσετε τα ανοίγματα ψύξης. Αυτά τα ανοίγματα επιτρέπουν την ψύξη του μοτέρ. Θα πρέπει να αποφευχθεί προσεκτικά το φράξιμο, διαφορετικά το μοτέρ θα καεί λόγω έλλειψης αερισμού.
 19. Να στέκεστε πάντα σταθερά και ισορροπημένα.
 20. **ΜΗΝ ΚΑΚΟΜΕΤΑΧΕΙΡΙΖΕΤΕ ΤΟ ΚΑΛΩΔΙΟ.** Μην μεταφέρετε τη σκούπα κρατώντας την από το ηλεκτρικό καλώδιο και μην τραβάτε το ηλεκτρικό καλώδιο απότομα για να το αποσυνδέσετε από την τριζά. Να διατηρείτε το ηλεκτρικό καλώδιο μακριά από τη θερμότητα, τα λάδια και αιχμηρά αντικείμενα. Να ελέγχετε τα καλώδια της σκούπας τακτικά και, αν έχουν ζημιά, στείλτε τα για επισκευή από εξουσιοδοτημένο κέντρο σέρβις. Να επιθεωρείτε τα καλώδια προέκτασης (μπαλαντζές) περιοδικά και να τα αντικαθιστάτε, αν παρουσιάσουν ζημιά.
 21. Μη διπλώνετε, μην τραβάτε και μην πατάτε τον εύκαμπτο σωλήνα.
 22. Διακόψτε αμέσως τη λειτουργία της μηχανής αν παρατηρήσετε ανεπαρκή απόδοση ή οτιδήποτε ασυνήθιστο κατά τη λειτουργία.
 23. **ΑΠΟΣΥΝΔΕΣΤΕ ΤΗ ΣΚΟΥΠΑ.** Όταν δεν χρησιμοποιείται, πριν από το σέρβις και όταν αλλάζετε αξεσουάρ.
 24. Καθαρίστε και εκτελέστε σέρβις στη μηχανή αμέσως μετά από κάθε χρήση για να διατηρείται σε άριστη λειτουργική κατάσταση.
 25. **ΔΙΑΤΗΡΕΙΤΕ ΤΗ ΜΗΧΑΝΗ ΜΕ ΠΡΟΣΟΧΗ.** Να διατηρείτε τη μηχανή καθαρή για την καλύτερη και ασφαλέστερη απόδοση. Να ακολουθείτε τις οδηγίες για την αλλαγή των αξεσουάρ. Να διατηρείτε τις λαβές στεγνές, καθαρές, χωρίς λάδι και γράσο.
 26. **ΝΑ ΕΛΕΓΧΤΕ ΤΑ ΜΕΡΗ ΜΕ ΖΗΜΙΑ.** Πριν από την περαιτέρω χρήση της μηχανής, θα πρέπει να ελέγχετε προσεκτικά τυχόν προστατευτικά εξαρτήματα ή άλλα εξάρτημα με ζημιά για να καθορίσετε αν θα λειτουργήσουν σωστά και αν θα πραγματοποιήσουν την προοριζόμενη λειτουργία τους. Ελέγξτε την ευθυγράμμιση των κινούμενων μερών, την ελεύθερη κίνηση των κινούμενων μερών, το τυχόν σπάσιμο εξαρτημάτων, τη στερέωση και οποιοσδήποτε άλλες συνθήκες που μπορεί να επηρεάσουν τη λειτουργία του εργαλείου. Ένα προστατευτικό ή άλλο εξάρτημα με ζημιά θα πρέπει να επισκευαστεί ή να αντικατασταθεί σωστά σε εξουσιοδοτημένο κέντρο σέρβις εκτός αν δηλώνεται διαφορετικά στο παρόν εγχειρίδιο οδηγιών. Ο εξοπλιστικός διακόπτης πρέπει να αντικαθίστανται σε εξουσιοδοτημένο κέντρο σέρβις. Μη χρησιμοποιείτε τη μηχανή αν ο διακόπτης δεν την ενεργοποιεί και δεν την απενεργοποιεί.
 27. Για τις εργασίες σέρβις από τον χρήστη, το μηχάνημα μπορεί να αποσυναρμολογηθεί, να καθαριστεί και να συντηρηθεί, όσο είναι εύλογα πρακτικό, χωρίς να προκληθεί κίνδυνος στο προσωπικό συντήρησης και σε άλλους.
 28. Το μηχάνημα θα πρέπει να υποκείται σε τεχνική επιθεώρηση από τον κατασκευαστή, ή από εντεταλμένο άτομο, τουλάχιστον ετησίως, περιλαμβανόντας, για παράδειγμα, την

επιθεώρηση των φίλτρων για ζημιά, την αεροστεγανότητα του μηχανήματος και τη σωστή λειτουργία του μηχανισμού ελέγχου.

29. Όταν διεξαγάγετε εργασίες σέρβις ή επισκευής, όλα τα μολυσμένα στοιχεία που δεν μπορούν να καθαριστούν σε ικανοποιητικό βαθμό πρέπει να διατεθούν. Αυτά τα στοιχεία πρέπει να διατεθούν μέσα σε αδιαπέραστες σακούλες σύμφωνα με οποιονδήποτε ισχύοντα κανονισμό για τη διάθεση τέτοιων αποβλήτων.
30. **ΑΝΤΑΛΛΑΚΤΙΚΑ.** Κατά το σέρβις, να χρησιμοποιείτε μόνο γνήσια ανταλλακτικά.
31. **ΝΑ ΑΠΟΘΗΚΕΥΕΤΕ ΤΗ ΜΗΧΑΝΗ ΟΤΑΝ ΔΕΝ ΤΗ ΧΡΗΣΙΜΟΠΟΙΕΙΤΕ.** Όταν δεν χρησιμοποιείται, η μηχανή θα πρέπει να αποθηκεύεται σε εσωτερικό χώρο.
32. Τα υγρά φίλτρα και το εσωτερικό μέρος του δοχείου υγρού πρέπει να στεγνώσουν πριν την αποθήκευση.
33. Να προσέχετε τη μηχανή. Ο σκληρός χειρισμός μπορεί να προκαλέσει το σπάσιμο ακόμη και της πιο καλοκατασκευασμένης μηχανής.
34. Μην επιχειρήσετε να καθαρίσετε το εξωτερικό ή το εσωτερικό με βενζίνη, νέφτι ή καθαριστικές χημικές ουσίες. Μπορεί να προκληθούν ρωγμές και αποχρωματισμός.
35. Μη χρησιμοποιείτε τη μηχανή σε κλειστό χώρο στον οποίο απελευθερώνονται εύφλεκτοι, εκρηκτικοί ή τοξικοί ατμοί από μογιές με βάση το λάδι, νέφτι, βενζίνη, μερικές ουσίες κατά της σκουριάς, κτλ., ή σε περιοχές όπου υπάρχει εύφλεκτη σκόνη.
36. Μην αφήνετε το ηλεκτρικό καλώδιο της σκούπας στο δάπεδο αφού έχετε τελειώσει με τον καθαρισμό. Μπορεί να αποτελέσει κίνδυνο για παραπάτημα ή μπορεί να προκαλέσει ζημιά στη σκούπα.
37. Μη χρησιμοποιείτε αυτό το εργαλείο ή οποιοδήποτε άλλο εργαλείο υπό την επήρεια ναρκωτικών ουσιών ή αλκοόλ.
38. Ως βασικός κανόνας ασφαλείας, να χρησιμοποιείτε γυαλιά ασφαλείας ή γυαλιά με πλαϊνά προστατευτικά.
39. Να χρησιμοποιείτε μάσκα κατά της σκόνης σε συνθήκες με πολλή σκόνη.
40. Το μηχανήμα αυτό δεν προορίζεται για χρήση από άτομα, συμπεριλαμβανομένων των παιδιών, με μειωμένες σωματικές, αισθητήριες ή διανοητικές ικανότητες, ή από άτομα που δεν έχουν πείρα και γνώσεις.
41. Τα παιδιά θα πρέπει να επιτηρούνται για να εξασφαλιστεί ότι δεν παίζουν με τη μηχανή.
42. Μη χειρίζεστε ποτέ το ηλεκτρικό καλώδιο ή τη σκούπα με βρεγμένα χέρια.
43. Να προσέχετε ιδιαίτερα όταν καθαρίζετε σκαλοπάτια.
44. Μη χρησιμοποιείτε τη μηχανή για σκαμπό ή πάγκο εργασίας. Η μηχανή σκούπα μπορεί να πέσει και να προκαλέσει προσωπικό τραυματισμό.

Χρήση και φροντίδα μπαταριών

1. Να επαναφορτίζετε τις μπαταρίες μόνο με το φορτιστή που καθορίζεται από τον κατασκευαστή. Ένας φορτιστής που είναι κατάλληλος για μια

συγκεκριμένη μπαταρία μπορεί να δημιουργήσει κίνδυνο πυρκαγιάς όταν χρησιμοποιείται με μια άλλη μπαταρία.

2. **Να χρησιμοποιείτε ηλεκτρικά εργαλεία μόνο με ειδικά καθορισμένες μπαταρίες.** Η χρήση κάθε άλλης μπαταρίας μπορεί να δημιουργήσει κίνδυνο τραυματισμού ή πυρκαγιάς.
3. **Όταν δεν χρησιμοποιείται η κασέτα μπαταριών, διατηρήστε τη μακριά από άλλα μεταλλικά αντικείμενα, όπως συνδετήρες, κέρματα, κλειδιά, καρφιά, βίδες ή άλλα μικρά μεταλλικά αντικείμενα, με τα οποία μπορεί να δημιουργηθεί σύνδεση από τον έναν ακροδέκτη στον άλλον.** Το βραχυκύκλωμα των ακροδεκτών της μπαταρίας μπορεί να προκαλέσει εγκαύματα ή πυρκαγιά.
4. **Υπό συνθήκες κατάχρησης, μπορεί να εξαχθεί υγρό από την μπαταρία. Να αποφεύγετε την επαφή. Εάν συμβεί επαφή κατά λάθος, εκπλύνετε με νερό. Εάν το υγρό έρθει σε επαφή με τα μάτια, αναζητήστε και ιατρική βοήθεια.** Το υγρό που εξάγεται από την μπαταρία μπορεί να προκαλέσει ερεθισμό ή εγκαύματα.
5. **Μη χρησιμοποιείτε μια κασέτα μπαταριών ή εργαλείο που έχει καταστραφεί ή τροποποιηθεί.** Οι κατεστραμμένες ή τροποποιημένες μπαταρίες μπορεί να παρουσιάσουν απρόβλεπτη συμπεριφορά που έχει ως αποτέλεσμα πυρκαγιά, έκρηξη ή κίνδυνο τραυματισμού.
6. **Μην εκθέτετε την κασέτα μπαταριών ή το εργαλείο σε πυρκαγιά ή υπερβολικά υψηλή θερμοκρασία.** Η έκθεση στην πυρκαγιά ή στη θερμοκρασία άνω των 130 °C μπορεί να προκαλέσει έκρηξη.
7. **Ακολουθήστε όλες τις οδηγίες φόρτισης και μην φορτίζετε την κασέτα μπαταριών ή το εργαλείο εκτός του θερμοκρασιακού εύρους που καθορίζεται στις οδηγίες.** Η λανθασμένη φόρτιση ή η φόρτιση σε θερμοκρασίες εκτός του καθορισμένου εύρους μπορεί να προκαλέσει ζημιά στην μπαταρία και να αυξήσει τον κίνδυνο πυρκαγιάς.

ΦΥΛΑΞΤΕ ΤΙΣ ΟΔΗΓΙΕΣ ΑΥΤΕΣ.

ΠΡΟΕΙΔΟΠΟΙΗΣΗ:

ΜΗΝ επιτρέψετε το βαθμό άνεσης ή εξοικείωσης με το προϊόν (λόγω επανειλημμένης χρήσης) να αντικαταστήσει την αυστηρή τήρηση των κανόνων ασφαλείας του παρόντος εργαλείου. Η **ΛΑΝΘΑΣΜΕΝΗ ΧΡΗΣΗ** ή η αμέλεια να ακολουθήσετε τους κανόνες ασφαλείας που διατυπώνονται στο παρόν εγχειρίδιο οδηγιών μπορεί να προκαλέσει σοβαρό προσωπικό τραυματισμό.

Σημαντικές οδηγίες ασφαλείας για κασέτα μπαταριών

ENC007-17

1. Πριν χρησιμοποιήσετε την κασέτα μπαταριών, διαβάστε όλες τις οδηγίες και σημειώσεις προφύλαξης (1) στον φορτιστή μπαταριών, (2) στην μπαταρία και (3) στο προϊόν που χρησιμοποιεί την μπαταρία.
2. **Μην αποσυναρμολογήσετε ή παραβιάσετε την κασέτα μπαταριών.** Μπορεί να έχει ως αποτέλεσμα πυρκαγιά, υπερθέρμανση ή έκρηξη.

3. Εάν ο χρόνος λειτουργίας έχει γίνει υπερβολικά βραχύς, σταματήστε τη λειτουργία αμέσως. Αλλιώς, μπορεί να έχει ως αποτέλεσμα κίνδυνο υπερθέρμανσης, πιθανά εγκαύματα ή ακόμη και έκρηξη.
4. Εάν ηλεκτρολύτης μπει στα μάτια σας, ξεπλύνετε τα με καθαρό νερό και ζητήστε ιατρική φροντίδα αμέσως. Αλλιώς, μπορεί να έχει ως αποτέλεσμα απώλεια της όρασης σας.
5. Μη βραχυκυκλώνετε την κασέτα μπαταριών:
 - (1) Μην αγγίζετε τους πόλους με σιδήπυτε αγωγίμο υλικό.
 - (2) Αποφύγετε να αποθηκεύετε την κασέτα μπαταριών μέσα σε ένα δοχείο μαζί με άλλα μεταλλικά αντικείμενα όπως καρφιά, νομίσματα, κλπ.
 - (3) Μην εκθέτετε την κασέτα μπαταριών στο νερό ή στη βροχή.
 Ένα βραχυκύκλωμα μπαταρίας μπορεί να προκαλέσει μεγάλη ροή ρεύματος, υπερθέρμανση, πιθανά εγκαύματα ακόμη και σοβαρή βλάβη.
6. Μην αποθηκεύετε και μην χρησιμοποιείτε το εργαλείο και την κασέτα μπαταριών σε τοποθεσίες όπου η θερμοκρασία μπορεί να φτάσει ή να ξεπεράσει τους 50°C.
7. Μην καίτε την κασέτα μπαταριών ακόμη και εάν έχει σοβαρή ζημιά ή είναι εντελώς φθαρμένη. Η κασέτα μπαταριών μπορεί να εκραγεί στη φωτιά.
8. Μην καρφώσετε, κόψετε, συνθλίψετε, πετάξετε ή ρίξετε κάτω την κασέτα μπαταριών, ούτε να χτυπήσετε ένα σκληρό αντικείμενο επάνω στην κασέτα μπαταριών. Τέτοια συμπεριφορά μπορεί να έχει ως αποτέλεσμα πυρκαγιά, υπερθέρμανση ή έκρηξη.
9. Μη χρησιμοποιείτε μπαταρία που έχει υποστεί ζημία.
10. Οι μπαταρίες ιόντων λιθίου που περιέχονται υπόκεινται στις απαιτήσεις της νομοθεσίας για επικίνδυνα αγαθά.

Για εμπορικές μεταφορές, για παράδειγμα από τρίτα μέρη, πρέπει να τηρούνται οι διαμεταφορές, οι ειδικές απαιτήσεις στη συσκευασία και η επισήμανση. Για προετοιμασία του στοιχείου που αποστέλλεται, είναι απαραίτητο να συμβουλευτείτε έναν ειδικό για επικίνδυνα υλικά. Επίσης, τηρήστε τους πιθανούς, πιο αναλυτικούς εθνικούς κανονισμούς.

Καλύψτε με αυτοκόλλητη ταινία ή κρύψτε τις ανοικτές επαφές και συσκευάστε την μπαταρία με τρόπο που να μην μπορεί να μετακινείται μέσα στη συσκευασία.
11. Όταν απορρίψετε την κασέτα μπαταριών, αφαιρέστε την από το εργαλείο και διαθέστε την σε ένα ασφαλές μέρος. Τηρήστε τους τοπικούς κανονισμούς που σχετίζονται με τη διάθεση της μπαταρίας.
12. Χρησιμοποιήστε τις μπαταρίες μόνο με τα προϊόντα που καθορίζει η Makita. Αν τοποθετήσετε τις μπαταρίες σε μη συμβατά προϊόντα μπορεί να έχει ως αποτέλεσμα πυρκαγιά, υπερβολική θερμότητα, έκρηξη ή διαρροή ηλεκτρολύτη.
13. Αν δεν χρησιμοποιείτε το εργαλείο για μεγάλο χρονικό διάστημα, πρέπει να βγάλετε την μπαταρία από το εργαλείο.
14. Κατά τη διάρκεια και μετά τη χρήση, η κασέτα μπαταριών μπορεί να θερμανθεί, γεγονός που μπορεί να προκαλέσει εγκαύματα ή εγκαύματα από χαμηλή θερμοκρασία. Προσέχετε το χειρισμό των ζεστών κασετών μπαταριών.
15. Μην αγγίζετε τον ακροδέκτη του εργαλείου αμέσως μετά τη χρήση επειδή μπορεί να έχει ζεσταθεί αρκετά για να προκαλέσει εγκαύματα.
16. Μην αφήνετε θραύσματα, σκόνη ή βρομιά να κολλήσει στους ακροδέκτες, τις σπές και τις εγκοπές της κασέτας μπαταριών. Μπορεί να προκαλέσει θέρμανση, φωτιά, έκρηξη και δυσλειτουργία του εργαλείου ή της κασέτας μπαταριών, έχοντας ως αποτέλεσμα εγκαύματα ή προσωπικό τραυματισμό.
17. Εκτός αν το εργαλείο υποστηρίζει τη χρήση κοντά σε ηλεκτρικές γραμμές υψηλής τάσης, μην χρησιμοποιείτε την κασέτα μπαταριών κοντά σε ηλεκτρικές γραμμές υψηλής τάσης. Μπορεί να έχει ως αποτέλεσμα δυσλειτουργία ή σπάσιμο του εργαλείου ή της κασέτας μπαταριών.
18. ΚρΦυλάξτε την μπαταρία μακριά από παιδιά.

ΦΥΛΑΞΤΕ ΤΙΣ ΟΔΗΓΙΕΣ ΑΥΤΕΣ.

⚠ ΠΡΟΣΟΧΗ: Να χρησιμοποιείτε μόνο γνήσιες μπαταρίες της Makita. Η χρήση μη γνήσιων μπαταριών Makita, ή μπαταριών που έχουν τροποποιηθεί, μπορεί να έχει ως αποτέλεσμα τη ρήξη της μπαταρίας, προκαλώντας πυρκαγιά, προσωπικό τραυματισμό και βλάβη. Επίσης, θα ακυρωθεί η εγγύηση της Makita για το εργαλείο και φορτιστή Makita.

Συμβουλές για τη διατήρηση της μέγιστης ζωής μπαταρίας

1. Φορτίζετε την κασέτα μπαταριών πριν από την πλήρη αποφόρτιση της. Πάντοτε να σταματάτε τη λειτουργία του εργαλείου και να φορτίζετε την κασέτα μπαταριών όταν παρατηρείτε μειωμένη ισχύ εργαλείου.
2. Ποτέ μην επαναφορτίζετε μια πλήρως φορτισμένη κασέτα μπαταριών. Η υπερφόρτιση μειώνει την ωφέλιμη ζωή της μπαταρίας.
3. Να φορτίζετε την κασέτα μπαταριών σε θερμοκρασία δωματίου, δηλαδή στους 10 °C έως 40 °C. Αφήστε μια θερμή κασέτα μπαταριών να κρυώσει πριν την φορτίσετε.
4. Όταν δεν χρησιμοποιείτε την κασέτα μπαταριών, αφαιρέστε την από το εργαλείο ή τον φορτιστή.
5. Να φορτίζετε την κασέτα μπαταριών εάν δεν τη χρησιμοποιείτε για μεγάλη χρονική περίοδο (περισσότερο από έξι μήνες).

ΠΕΡΙΓΡΑΦΗ ΛΕΙΤΟΥΡΓΙΑΣ

Χρήση με εναλλασσόμενο ρεύμα:

⚠ ΠΡΟΕΙΔΟΠΟΙΗΣΗ:

- Πριν συνδέσετε την ηλεκτρική σκούπα στο ηλεκτρικό ρεύμα, βεβαιωθείτε ότι είναι σβηστή. Η σύνδεση στο ρεύμα της ηλεκτρικής σκούπας με ανοικτό το διακόπτη, μπορεί να προκαλέσει την αναπάντεχη

εκκίνηση και να προκληθεί σοβαρός προσωπικός τραυματισμός.
Συνδέστε το βύσμα στην παροχή ρεύματος. **(Εικ. 1)**
Η ενδεικτική λυχνία του εναλλασσόμενου ρεύματος ανάβει κατά τη ρύθμιση του διακόπτη αναμονής στην πλευρά "I". **(Εικ. 2)**

ΣΗΜΕΙΩΣΗ:

- Ακόμα και όταν λειτουργεί στη θέση του συνεχούς ρεύματος, το εργαλείο αλλάζει αυτόματα στη θέση τροφοδοσίας εναλλασσόμενου ρεύματος όταν συνδεθεί στην πρίζα.
- Εάν αποσυνδεθεί το εργαλείο έχοντας τοποθετημένη την μπαταρία κατά τη διάρκεια της λειτουργίας, η ηλεκτρική σκούπα μεταβαίνει στην κατάσταση αναμονής.

Χρήση με μπαταρία:

Τοποθέτηση ή αφαίρεση της κασέτας μπαταρίας

ΠΡΟΣΟΧΗ:

- Να βεβαιώνετε πάντοτε ότι έχετε σβήσει την ηλεκτρική σκούπα και έχετε βγάλει την κασέτα μπαταρίας πριν ρυθμίσετε ή ελέγξετε κάποια λειτουργία του εργαλείου.
- **Κρατήστε την ηλεκτρική σκούπα και την κασέτα μπαταρίας γερά κατά την τοποθέτηση ή την αφαίρεση της κασέτας μπαταρίας.** Εάν δεν κρατήσετε γερά την ηλεκτρική σκούπα και την κασέτα μπαταρίας μπορεί να γλιστρήσουν από τα χέρια σας και να προκληθεί ζημιά στην ηλεκτρική σκούπα και στην κασέτα μπαταρίας αλλά και προσωπικός τραυματισμός.
- **Προσέξτε να μην μαγκώσετε τα δάκτυλά σας κατά το κλείσιμο του καλύμματος της μπαταρίας.** Αν δεν τηρήσετε αυτή την οδηγία, μπορεί να προκληθεί προσωπικός τραυματισμός.

Για να εγκαταστήσετε την κασέτα μπαταρίας, ξεκλειδώστε πρώτα και στη συνέχεια ανοίξτε το κάλυμμα της μπαταρίας. Μετά εισαγάγετε την κασέτα μπαταρίας.

(Εικ. 3)

Ευθυγραμμίστε τη γλωττίδα της κασέτας μπαταρίας με την εγκοπή στο περίβλημα και σύρτε τη στη θέση της. Εισαγάγετε την έως το τέρμα μέχρι να ασφαλίσει στη θέση της και ακουστεί ένας σιγανός ήχος "κλικ". Στη συνέχεια, ασφαλίστε το κάλυμμα της μπαταρίας. **(Εικ. 4)**
Για να βγάλετε την κασέτα μπαταρίας, σύρτε την από το εργαλείο ολισθαίνοντας το κουμπί στο μπροστινό μέρος της κασέτας.

ΕΙΔΟΠΟΙΗΣΗ:

- Αφαιρέστε το βύσμα της ηλεκτρικής σκούπας από το καλώδιο επέκτασης όταν χρησιμοποιείτε την ηλεκτρική σκούπα με τις μπαταρίες.

ΠΡΟΣΟΧΗ:

- Πάντα να εισαγάγετε την κασέτα μπαταρίας πλήρως στη θέση της. Σε αντίθετη περίπτωση, μπορεί να πέσει κατά λάθος από το εργαλείο και να τραυματίσει εσάς ή κάποιον παρευρισκόμενο.
- Μην εισάγετε με τη βία την κασέτα μπαταρίας. Αν η κασέτα δεν ολισθαίνει με ευκολία, δεν την εισαγάγετε σωστά.

ΣΗΜΕΙΩΣΗ:

- Η ηλεκτρική σκούπα δεν λειτουργεί με μόνο μια κασέτα μπαταρίας.

Σύστημα προστασίας εργαλείου/ μπαταρίας

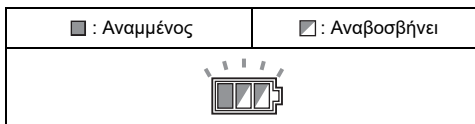
Το εργαλείο είναι εφοδιασμένο με ένα σύστημα προστασίας εργαλείου/μπαταρίας. Αυτό το σύστημα διακόπτει αυτόματα το ρεύμα στον κινητήρα για να παρατείνεται η διάρκεια ζωής του εργαλείου και της μπαταρίας.

Το εργαλείο θα σταματήσει αυτόματα κατά τη λειτουργία εάν το εργαλείο ή η μπαταρία βρεθούν σε μια από τις παρακάτω συνθήκες. Σε ορισμένες περιπτώσεις ανάβουν οι δείκτες.

Προστασία υπερφόρτωσης

Εάν το εργαλείο είναι υπερφορτωμένο, το εργαλείο απενεργοποιείται αυτόματα. Στην περίπτωση αυτή, σβήστε το εργαλείο και σταματήστε τη εφαρμογή που προκάλεσε την υπερφόρτωση του εργαλείου. Στη συνέχεια ενεργοποιήστε το εργαλείο για να ξαναρχίσετε πάλι.

Προστασία υπερφόρτωσης για το εργαλείο



015485

Όταν το εργαλείο έχει υπερθερμανθεί, το εργαλείο σταματά αυτόματα και ο δείκτης της μπαταρίας αναβοσβήνει για περίπου 60 δευτερόλεπτα. Στην περίπτωση αυτή, αφήστε το εργαλείο να κρυώσει πριν ενεργοποιήσετε ξανά το εργαλείο.

Προστασία έναντι της υπερ-εκφόρτισης

Όταν η χωρητικότητα της μπαταρίας είναι χαμηλή, το εργαλείο σταματά αυτόματα. Εάν το προϊόν δεν λειτουργεί ακόμη και όταν λειτουργήσουν οι διακόπτες, αφαιρέστε τις μπαταρίες από το εργαλείο και φορτίστε τις μπαταρίες.

Ένδειξη εναπομένουσας χωρητικότητας μπαταρίας (Εικ. 5 και 6)

Πατήστε το κουμπί ελέγχου ώστε οι δείκτες της μπαταρίας να δείχνουν τις εναπομένουσες χωρητικότητες της μπαταρίας. Οι δείκτες της μπαταρίας αντιστοιχούν στην κάθε μπαταρία.

Ένδειξη της εναπομένουσας χωρητικότητας της μπαταρίας

Κατάσταση δείκτη μπαταρίας			Εναπομένουσα χωρητικότητα μπαταρίας
: Αναμμένος	: Σβηστός	: Αναβοσβήνει	
			50% - 100%
			20% - 50%
			0% - 20%
			Φορτίστε την μπαταρία

015527

Ένδειξη εναπομένουσας χωρητικότητας της μπαταρίας

Μόνο για κασέτες μπαταρίας με την ένδειξη (Εικ. 7)

Πατήστε το κουμπί ελέγχου στην κασέτα μπαταρίας για να εμφανιστεί η υπολειπόμενη χωρητικότητα της μπαταρίας. Οι ενδεικτικές λυχνίες θα ανάψουν για μερικά δευτερόλεπτα.

Ενδεικτικές λυχνίες			Εναπομένουσα χωρητικότητα
Αναμμένες	Σβηστές	Αναβοσβήνουν	
			75% έως 100%
			50% έως 75%
			25% έως 50%
			0% έως 25%
			Φορτίστε τη μπαταρία.
			Η μπαταρία μπορεί να δυσλειτουργεί.

015658

ΣΗΜΕΙΩΣΗ:

- Ανάλογα με τις συνθήκες χρήσης και τη θερμοκρασία περιβάλλοντος, η ένδειξη μπορεί να διαφέρει ελαφρώς από την πραγματική χωρητικότητα.

Δράση διακοπής (Εικ. 8)

Για να εκκινήσετε την ηλεκτρική σκούπα:

- Ρυθμίστε τον διακόπτη αναμονής στη θέση "I". Η ηλεκτρική σκούπα μεταβαίνει στην κατάσταση αναμονής.
- Πιέστε το κουμπί τροφοδοσίας.

90

Για να μεταβεί η ηλεκτρική σκούπα στη λειτουργία αναμονής, πατήστε ξανά το κουμπί τροφοδοσίας. Για να απενεργοποιήσετε την ηλεκτρική σκούπα, ρυθμίστε τον διακόπτη αναμονής στη θέση "O".

Η απορροφητική ισχύς μπορεί να ρυθμιστεί αναλόγως των απαιτήσεων εργασίας.

Η απορροφητική ισχύς μπορεί να αυξηθεί με την περιστροφή του κουμπιού ρύθμισης της δύναμης αναρρόφησης από το σύμβολο στο σύμβολο .

ΕΙΔΟΠΟΙΗΣΗ:

- Πάντοτε να ρυθμίζετε τον διακόπτη αναμονής στην πλευρά "O", όταν δεν χρησιμοποιείτε την ηλεκτρική σκούπα για μεγάλο χρονικό διάστημα. Η ηλεκτρική σκούπα καταναλώνει ηλεκτρική ενέργεια κατά τη διάρκεια της κατάστασης αναμονής.

Αυτόματη διακοπή αναρρόφησης κατά τη διάρκεια της λειτουργίας υγρής αναρρόφησης (για μοντέλο με το υφασμάτινο φίλτρο)

⚠ ΠΡΟΕΙΔΟΠΟΙΗΣΗ:

- Μη χρησιμοποιείτε για μακρό χρονικό διάστημα όταν λειτουργεί ο πλωτήρας.** Η χρήση της ηλεκτρικής σκούπας με το πλωτήρα σε λειτουργία για μεγάλο χρονικό διάστημα μπορεί να προκαλέσει υπερθέρμανση, με αποτέλεσμα την παραμόρφωση της ηλεκτρικής σκούπας.
- Μην τραβάτε αφρό ή υγρό σαπουνάδας.** Το τράβηγμα αφρού ή υγρού με σαπουνάδα μπορεί να προκαλέσει την έξοδο του αφρού από το σημείο εξόδου αέρα πριν από τη λειτουργία του πλωτήρα. Αν συνεχίσετε τη χρήση σε αυτήν την κατάσταση μπορεί να προκληθεί ηλεκτροπληξία και βλάβη της ηλεκτρικής σκούπας.

Η αυτόματη διακοπή αναρρόφησης λειτουργεί μόνο όταν χρησιμοποιείτε τον πλωτήρα και τον κλωβό του πλωτήρα. Η ηλεκτρική σκούπα διαθέτει έναν μηχανισμό πλωτήρα που εμποδίζει την είσοδο του νερού στο μοτέρ όταν μαζεύεται περισσότερο από μια ορισμένη ποσότητα νερού.

Όταν το δοχείο είναι πλήρες και η ηλεκτρική σκούπα δεν μαζεύει πια το νερό, σβήστε την ηλεκτρική σκούπα και αδειάστε το δοχείο.

Κλείδωμα ή ξεκλείδωμα του τροχίσκου (Εικ. 9)

Για να ασφαλίσετε τον τροχίσκο με ένα αναστολέα, χαμηλώστε τον ασφαλιστικό μοχλό και ο τροχίσκος δεν θα μπορεί να περιστραφεί. Για να απελευθερώσετε τον τροχίσκο από την κλειδωμένη θέση, ανυψώστε τον ασφαλιστικό μοχλό.

Το κλείδωμα του τροχίσκου είναι βολικό κατά την αποθήκευση της ηλεκτρικής σκούπας, το σταμάτημα της εργασίας στο μέσον και τη διατήρηση της ηλεκτρικής σκούπας στην ακίνητη θέση.

Για να λειτουργήσει ο ασφαλιστικός μοχλός, μετακινήστε τον με το χέρι.

ΣΗΜΕΙΩΣΗ:

- Κατά τη μετακίνηση της ηλεκτρικής σκούπας, βεβαιωθείτε ότι ο τροχίσκος είναι ξεκλειδωτός. Η μετακίνηση της ηλεκτρικής σκούπας με τον τροχίσκο

στην ασφαλισμένη θέση, μπορεί να προκαλέσει βλάβη στον τροχίσκο.

Χερούλι μεταφοράς (Εικ. 10)

Κατά τη μεταφορά της ηλεκτρικής σκούπας, μεταφέρετε την κρατώντας το χερούλι στο πάνω μέρος όπως απεικονίζεται στην εικόνα. Το χερούλι είναι αναδιπλούμενο όταν δεν το χρησιμοποιείτε.

ΠΕΡΙΓΡΑΦΗ ΕΞΑΡΤΗΜΑΤΩΝ

Μοντέλο DVC860L

(Υφασμάτινο φίλτρο (για ξηρή και υγρή σκόνη) μοντέλο) (Εικ. 11)

Μοντέλο DVC861L

(Φίλτρο σκόνης (ξηρή σκόνη) μοντέλο) (Εικ. 12)

ΣΥΝΑΡΜΟΛΟΓΗΣΗ

⚠ ΠΡΟΣΟΧΗ:

- Να βεβαιώνετε πάντοτε ότι έχετε απενεργοποιήσει την ηλεκτρική σκούπα και έχετε βγάλει την κασέτα μπαταρίας πριν εκτελέσετε οποιαδήποτε εργασία σε αυτή.
- Πάντα να φοράτε μάσκα σκόνης κατά τη συναρμολόγηση ή τη συντήρηση.

Εγκατάσταση του φίλτρου σκόνης (HEPA) και του προφίλτρου (για ξηρή σκόνη) (Εικ. 13 και 14)

Προαιρετικό εξάρτημα για το μοντέλο με το υφασμάτινο φίλτρο

⚠ ΠΡΟΣΟΧΗ:

- Ποτέ μην μαζεύετε νερό ή άλλα υγρά ή υγρές σκόνες όταν χρησιμοποιείτε το φίλτρο σκόνης. Το μάζεμα τέτοιων πραγμάτων μπορεί να προκαλέσει τη θραύση του φίλτρου σκόνης.

Για τη χρήση του φίλτρου σκόνης, αφαιρέστε τον κλωβό του πλωτήρα και τον πλωτήρα αφαιρώντας τις βίδες.

Τοποθετήστε το προφίλτρο στο δοχείο.

Στη συνέχεια, στερεώστε τον αποσβεστήρα στο φίλτρο σκόνης και μετά τοποθετήστε τα μέσα στο προφίλτρο.

Κατά την εγκατάσταση του φίλτρου σκόνης και του προφίλτρου, ευθυγραμμίστε την ένδειξη της θέσης στερέωσης πάνω στο καθένα με τη σήμανση στο πάνω μέρος του δοχείου.

Τέλος, τοποθετήστε το κάλυμμα του δοχείου και κλειδώστε το.

ΣΗΜΕΙΩΣΗ:

- Πριν από τη χρήση του φίλτρου σκόνης, βεβαιωθείτε ότι το προφίλτρο και ο αποσβεστήρας χρησιμοποιούνται πάντα μαζί. Δεν επιτρέπεται η εγκατάσταση μόνο του φίλτρου σκόνης.

Τοποθέτηση του φίλτρου νερού (για το μοντέλο με το υφασμάτινο φίλτρο) (προαιρετικό εξάρτημα)

⚠ ΠΡΟΣΟΧΗ:

- Ποτέ μην συλλέγετε νερό ή υγρή σκόνη χωρίς τον πλωτήρα και το υφασμάτινο φίλτρο ή το φίλτρο νερού.
- Για τη συλλογή υγρής σκόνης, βεβαιωθείτε ότι ο κλωβός του πλωτήρα και ο πλωτήρας είναι εγκατεστημένα στην ηλεκτρική σκούπα.
- Κατά την εγκατάσταση του φίλτρου νερού στο δοχείο, τοποθετήστε το σφικτά στο άνοιγμα του δοχείου, έτσι ώστε ο γάντζος του φίλτρου νερού να συνδεθεί με το άνοιγμα του δοχείου σταθερά και να μην υπάρχει κενό διάστημα ανάμεσα στο φίλτρο νερού και στο δοχείο.

ΕΙΔΟΠΟΙΗΣΗ:

- Συνιστάται να χρησιμοποιείτε το φίλτρο νερού όταν συλλέγετε μεγάλη ποσότητα νερού κατεπανάλωση. Διαφορετικά μπορεί να μειωθεί η ικανότητα κενού στην περίπτωση που υπάρχει το υφασμάτινο φίλτρο.

Για τη συλλογή μόνο νερού ή υγρής σκόνης, το φίλτρο νερού είναι πιο κατάλληλο από το υφασμάτινο φίλτρο.

Όταν τοποθετείτε το φίλτρο νερού, ευθυγραμμίστε την ένδειξη της θέσης στερέωσης με αυτή πάνω στο δοχείο. (Εικ. 15)

Τοποθέτηση του χαρτονιού (προαιρετικό εξάρτημα)

⚠ ΠΡΟΕΙΔΟΠΟΙΗΣΗ:

- Όταν χρησιμοποιείτε το χαρτόνι, να χρησιμοποιείτε επίσης μαζί και το υφασμάτινο φίλτρο ή το προφίλτρο που είναι προεγκατεστημένο στο εργαλείο. Αν δεν χρησιμοποιήσετε μαζί το υφασμάτινο φίλτρο/προφίλτρο μπορεί να προκληθεί ασυνήθιστος θόρυβος και θερμότητα, με αποτέλεσμα την πυρκαγιά.

⚠ ΠΡΟΣΟΧΗ:

(Για το μοντέλο με το υφασμάτινο φίλτρο)

- Ποτέ μην μαζεύετε νερό ή άλλα υγρά ή υγρές σκόνες όταν χρησιμοποιείται το χαρτόνι. Το μάζεμα τέτοιων πραγμάτων μπορεί να προκαλέσει τη θραύση του χαρτονιού.

- Πριν από τη χρήση του χαρτονιού, βεβαιωθείτε ότι το φίλτρο σκόνης (προαιρετικό εξάρτημα), ο αποσβεστήρας (προαιρετικό εξάρτημα) και το προφίλτρο χρησιμοποιούνται πάντα μαζί.

(Για το μοντέλο με το φίλτρο σκόνης)

- Πριν από τη χρήση του χαρτονιού, βεβαιωθείτε ότι το φίλτρο σκόνης, ο αποσβεστήρας και το προφίλτρο χρησιμοποιούνται πάντα μαζί.

1. Αφαιρέστε το λαστιχένιο στήριγμα. (Εικ. 16)

2. Προεκτείνετε το χαρτόνι.

3. Ευθυγραμμίστε το άνοιγμα του χαρτονιού με το άνοιγμα αναρρόφησης σκόνης της ηλεκτρικής σκούπας.

4. Τοποθετήστε πάνω το ναστόχαρτο του χαρτονιού πάνω στο στήριγμα έτσι ώστε να είναι τοποθετημένο στην άκρη πέρα από την προεξοχή συγκράτησης. (Εικ. 17)

Εγκαθιστώντας το σάκο πολυαιθυλενίου

Η ηλεκτρική σκούπα μπορεί επίσης να χρησιμοποιηθεί χωρίς τον σάκο πολυαιθυλενίου. Ωστόσο, με τη χρήση

του σάκου πολυαιθυλενίου γίνεται πιο εύκολο το άδειασμα του δοχείου χωρίς να βρομίσετε τα χέρια σας.

Απλώστε τον σάκο πολυαιθυλενίου στο δοχείο.

Τοποθετήστε τον μεταξύ της πλάκας στηρίγματος και του δοχείου και τραβήξτε τον προς την είσοδο του εύκαμπτου σωλήνα.

Απλώστε το σάκο γύρω από την κορυφή του δοχείου έτσι ώστε η ακμή του προφίλτρου να μπορεί να συγκρατεί τον σάκο με ασφάλεια. **(Εικ. 18)**

ΣΗΜΕΙΩΣΗ:

- Μπορεί να χρησιμοποιηθεί ένας σάκος πολυαιθυλενίου που διατίθεται στην αγορά. Συνιστάται ένα πάχος των 0,04 mm ή μεγαλύτερο.
- Η μεγάλη ποσότητα σκόνης θα σκίσει εύκολα το σάκο, για αυτό μην γεμίζετε τον σάκο με σκόνη πάνω από το μισό της χωρητικότητάς του.

Άδειασμα του σάκου πολυαιθυλενίου

⚠️ ΠΡΟΕΙΔΟΠΟΙΗΣΗ:

- Πάντοτε να βεβαιώνετε ότι η ηλεκτρική σκούπα είναι σβηστή και βγαλμένη από την πρίζα πριν αδειάσετε το σάκο παλαιθυλενίου. Εάν δεν το κάνετε αυτό μπορεί να προκληθεί ηλεκτροπληξία ή προσωπικός τραυματισμός.

⚠️ ΠΡΟΣΟΧΗ:

- Μην χτυπήσετε δυνατά τον κλωβό του πλωτήρα και το δοχείο. Η άσκηση δυνατού χτυπήματος μπορεί να προκαλέσει παραμόρφωση και καταστροφή των εξαρτημάτων.
- Αδειάζετε το δοχείο τουλάχιστον μια φορά την ημέρα, αν και αυτό εξαρτάται από τον όγκο της σκόνης στο δοχείο που έχει μαζευτεί. Διαφορετικά, η δύναμη αναρρόφησης θα εξασθενήσει και ο κινητήρας μπορεί να πάθει ζημιά.
- Μη πιάνετε το γάντζο κατά το άδειασμα του δοχείου. Το πάσιμο του γάντζου μπορεί να προκαλέσει το σπάσιμο του γάντζου.

Απαγκιστρώστε και ανασηκώστε το κάλυμμα του δοχείου. Αποπινάξτε τη σκόνη από το υφασμάτινο φίλτρο/φίλτρο σκόνης, και στη συνέχεια βγάλτε το σάκο πολυαιθυλενίου έξω από το δοχείο. **(Εικ. 19)**

ΣΗΜΕΙΩΣΗ:

- Βγάλτε το σάκο πολυαιθυλενίου προσεκτικά έξω από το δοχείο, έτσι ώστε ο σάκος πολυαιθυλενίου να μην μπορεί να σχιστεί από την προεξοχή μέσα στο δοχείο κατά την εκκένωση.
- Αδειάστε το σάκο πολυαιθυλενίου πριν γεμίσει. Η πάρα πολύ μεγάλη ποσότητα σκόνης στο δοχείο μπορεί να προκαλέσει το σχίσιμο του σάκου πολυαιθυλενίου.

Τοποθέτηση της εργαλειοθήκης

1. Ξεκλειδώστε το κάλυμμα της μπαταρίας και ανοίξτε το κάλυμμα της μπαταρίας.
2. Τοποθετήστε τις ράγες της εργαλειοθήκης κατά μήκος των αυλακώσεων του περιβλήματος. **(Εικ. 20)**
3. Κλείστε το κάλυμμα της μπαταρίας και κλειδώστε. Η εργαλειοθήκη είναι βολικό για τη μεταφορά μπαταριών, του καλωδίου επέκτασης, του σωλήνα ή των μανικετιών. **(Εικ. 21)**

Σύνδεση του εύκαμπτου σωλήνα

⚠️ ΠΡΟΣΟΧΗ:

- Ποτέ μην πιέζετε τον εύκαμπο σωλήνα για να τον κάμψετε ή να τον σταμπάρετε. Ποτέ μην μετακινείτε την ηλεκτρική σκούπα από τον εύκαμπο σωλήνα. Η άσκηση δύναμης, το σταμπάρισμα και το τραβήγμα του εύκαμπτου σωλήνα μπορεί να προκαλέσει θραύση ή παραμόρφωση του σωλήνα.
- Κατά το μάζεμα μεγάλων αποβλήτων, όπως αποκόμματα πλάνης, σκόνες από σκυρόδεμα ή παρόμοια, εκτός από τα μικρά απόβλητα, χρησιμοποιήστε τον εύκαμπο σωλήνα με εσωτερική διάμετρο 38 mm (προαιρετικό αξεσουάρ). Η χρήση του εύκαμπτου σωλήνα με εσωτερική διάμετρο 28 mm (προαιρετικό εξάρτημα) μπορεί να προκαλέσει το βούλωμα του σωλήνα και ζημιά.

Εισάγετε τον εύκαμπο σωλήνα μέσα στην είσοδο του δοχείου και περιστρέψτε τον δεξιόστροφα έως ότου ασφαλίσει. **(Εικ. 22)**

ΣΥΝΤΗΡΗΣΗ

⚠️ ΠΡΟΣΟΧΗ:

- Να βεβαιώνετε πάντοτε ότι έχετε σβήσει το εργαλείο και έχετε βγάλει την κασέτα μπαταρίας πριν εκτελέσετε οποιαδήποτε εργασία ελέγχου ή συντήρησης σε αυτό.

Αποθήκευση του καλωδίου τροφοδοσίας **(Εικ. 23)**

Μπορείτε να τυλίξετε το καλώδιο τροφοδοσίας γύρω από την εργαλειοθήκη.

Αποθήκευση των εξαρτημάτων **(Εικ. 24)**

Οι σωλήνες μπορούν να τοποθετηθούν μέσα στο στήριγμα των σωλήνων όταν δεν χρησιμοποιείτε την ηλεκτρική σκούπα για σύντομο χρονικό διάστημα.

(Εικ. 25)

Ο εύκαμπος σωλήνας μπορεί να αποθηκευτεί γύρω από το εργαλείο, συνδέοντας το κάθε άκρο. **(Εικ. 26)**

Καθαρισμός

⚠️ ΠΡΟΣΟΧΗ:

- Μην χρησιμοποιήσετε βενζίνη, βενζόλη, διαλυτικό, αλκοόλη ή κάτι παρόμοιο. Μπορεί να προκληθεί αποχρωματισμός, παραμόρφωση ή ρωγμές.

Καθαρισμός του υφασμάτινου φίλτρου

Μόνο για το μοντέλο υφασμάτινου φίλτρου

Τα βουλωμένα υφασμάτινα φίλτρα προκαλούν κακή απόδοση αναρρόφησης.

Καθαρίστε το υφασμάτινο φίλτρο από καιρό σε καιρό. Για να απομακρύνετε τη σκόνη ή τα σωματίδια που έχουν προσκολληθεί στο υφασμάτινο φίλτρο, ανακινήστε το κάτω πλαίσιο γρήγορα αρκετές φορές. **(Εικ. 27)**

Καθαρισμός του φίλτρου σκόνης (HEPA) και του προφίλτρου

Μόνο για το μοντέλο φίλτρου σκόνης

Τα βουλωμένα φίλτρο σκόνης, προφίλτρο και αποσβεστήρας μπορεί να προκαλέσουν κακή απόδοση αναρρόφησης.

Καθαρίστε τα φίλτρα και τους αποσβεστήρες από καιρό σε καιρό.

Για να απομακρύνετε τη σκόνη ή τα σωματίδια που έχουν προσκολληθεί στα φίλτρα, ανακινήστε το κάτω πλαίσιο γρήγορα αρκετές φορές.

Περιστασιακά, πλένεται το φίλτρο σκόνης με νερό, ξεπλύνετε και στεγνώστε καλά στη σκιά πριν τη χρήση.

Ποτέ μην πλένετε τα φίλτρα σε πλυντήριο. (Εικ. 28)

ΣΗΜΕΙΩΣΗ:

- Μην τρίβετε και ξύνετε το φίλτρο σκόνης, το προφίλτρο ή τον αποσβεστήρα με σκληρά αντικείμενα, όπως μια βούρτσα και ένα ξέστρο.

- Τα φίλτρα φθείρονται στο πέρασμα του χρόνου.

Συνιστάται να έχετε κάποια ανταλλακτικά για αυτά.

Για τη διασφάλιση της ΑΣΦΑΛΕΙΑΣ και της ΑΞΙΟΠΙΣΤΙΑΣ

του προϊόντος, οι επισκευές και οι άλλες εργασίες

ρύθμισης και συντήρησης πρέπει να εκτελούνται από

Εξουσιοδοτημένα Κέντρα Σέρβις της Makita,

χρησιμοποιώντας πάντοτε ανταλλακτικά εξαρτήματα της Makita.

ΠΡΟΑΙΡΕΤΙΚΑ ΑΞΕΣΟΥΑΡ

⚠️ ΠΡΟΣΟΧΗ:

- Συνιστάται η χρήση αυτών των αξεσουάρ ή εξαρτημάτων με το εργαλείο της Makita, όπως περιγράφεται στο παρόν εγχειρίδιο. Αν χρησιμοποιήσετε άλλα αξεσουάρ ή εξαρτήματα μπορεί να παρουσιαστεί κίνδυνος για πρόκληση τραυματισμού προσώπων. Να χρησιμοποιείτε τα αξεσουάρ και τα εξαρτήματα μόνο για το σκοπό για τον οποίο προορίζονται.

Αν χρειάζεστε κάποια βοήθεια ή περισσότερες πληροφορίες σχετικά με τα αξεσουάρ αυτά, απευθυνθείτε στο πλησιέστερο κέντρο εξυπηρέτησης της Makita.

- Αυθεντική μπαταρία και φορτιστής της Makita

- Εύκαμπος σωλήνας

- Μπροστινά μανικέτια (22, 24, 38)

- Ευθύς σωλήνας

- Γωνιακό ακροφύσιο

- Στρογγυλή βούρτσα

- Φίλτρο σκόνης, HEPA (για ξηρή σκόνη)

- Αποσβεστήρας

- Προφίλτρο

- Συγκρότημα ακροφυσίου

- Γωνιασμένος σωλήνας

- Σάκος πολυαιθυλενίου

- Φίλτρο νερού (επιλογή για το μοντέλο με το

- υφασμάτινο φίλτρο)

- Χαρτόνι

- Σετ στηρίγματος

ΣΗΜΕΙΩΣΗ:

- Ορισμένα από τα στοιχεία της λίστας μπορεί να περιέχονται στη συσκευασία του εργαλείου ως κανονικά αξεσουάρ. Αυτά ενδέχεται να διαφέρουν από χώρα σε χώρα.

Θόρυβος

ENG905-1

Το σύνθηες σταθμισμένο επίπεδο θορύβου A που έχει καθοριστεί σύμφωνα με την IEC60335-2-69:

Επίπεδο ηχητικής πίεσης (L_{pA}): 75 dB (A)

Αβεβαιότητα (K): 2,5 dB (A)

Το επίπεδο θορύβου κατά τη λειτουργία ενδέχεται να υπερβεί τα 80 dB (A).

ENG907-1

- Η δηλωμένη τιμή(ές) εκπομπής θορύβου έχει μετρηθεί σύμφωνα με την πρότυπη μέθοδο δοκιμής και μπορεί να χρησιμοποιηθεί για τη σύγκριση ενός εργαλείου με κάποιο άλλο.
- Η δηλωμένη τιμή(ές) εκπομπής θορύβου μπορεί να χρησιμοποιηθεί και στην προκαταρκτική αξιολόγηση της έκθεσης.

⚠️ ΠΡΟΕΙΔΟΠΟΙΗΣΗ:

- Να φοράτε ωτοασπίδες.**

- Η εκπομπή θορύβου κατά τη χρήση του ηλεκτρικού εργαλείου σε πραγματικές συνθήκες μπορεί να διαφέρει από τη δηλωμένη τιμή(ές) ανάλογα με τους τρόπους χρήσης του εργαλείου, ιδιαίτερα το είδος του τεμαχίου εργασίας που υπόκειται επεξεργασία.**

- Φροντίστε να λάβετε τα κατάλληλα μέτρα προστασίας του χειριστή βάσει ενός υπολογισμού της έκθεσης σε πραγματικές συνθήκες χρήσης (λαμβάνοντας υπόψη όλες τις συνιστώσες του κύκλου λειτουργίας όπως τους χρόνους που το εργαλείο είναι εκτός λειτουργίας και όταν βρίσκεται σε αδρανή λειτουργία πέραν του χρόνου ενεργοποίησης).**

Δόνηση

ENG900-1

Η συνολική τιμή δόνησης (διανυσματικό άθροισμα τριών αξόνων) που έχει καθοριστεί σύμφωνα με την IEC 60335-2-69:

Εκπομπή δόνησης (a_{h1}): 2,5 m/s² ή λιγότερο

Αβεβαιότητα (K): 1,5 m/s²

ENG901-2

- Η δηλωμένη τιμή(ές) συνολικών κραδασμών έχει μετρηθεί σύμφωνα με την πρότυπη μέθοδο δοκιμής και μπορεί να χρησιμοποιηθεί για τη σύγκριση ενός εργαλείου με κάποιο άλλο.
- Η δηλωμένη τιμή(ές) συνολικών κραδασμών μπορεί να χρησιμοποιηθεί και στην προκαταρκτική αξιολόγηση της έκθεσης.

⚠️ ΠΡΟΕΙΔΟΠΟΙΗΣΗ:

- Η εκπομπή κραδασμών κατά τη χρήση του ηλεκτρικού εργαλείου σε πραγματικές συνθήκες μπορεί να διαφέρει από τη δηλωμένη τιμή(ές) εκπομπής ανάλογα με τους τρόπους χρήσης του εργαλείου, ιδιαίτερα το είδος του τεμαχίου εργασίας που υπόκειται επεξεργασία.**
- Φροντίστε να λάβετε τα κατάλληλα μέτρα προστασίας του χειριστή βάσει ενός υπολογισμού της έκθεσης σε πραγματικές συνθήκες χρήσης (λαμβάνοντας υπόψη όλες τις συνιστώσες του κύκλου λειτουργίας όπως τους χρόνους που το εργαλείο είναι εκτός λειτουργίας και όταν βρίσκεται σε αδρανή λειτουργία πέραν του χρόνου ενεργοποίησης).**

Δήλωση συμμόρφωσης ΕΚ***Μόνο για χώρες της Ευρώπης***

Η δήλωση συμμόρφωσης ΕΚ περιλαμβάνεται ως Παράρτημα Α στο παρόν εγχειρίδιο οδηγιών.

TÜRKÇE (Orijinal talimatlar)

UYARI

- Bu makine fiziksel, duyuşsal ya da zihinsel yetenekleri kısıtlı olan veya deneyim ya da bilgileri olmayan kişiler ve çocuklar tarafından kullanıma uygun deęildir.
- Süpürge ile oynamadıklarından emin olmak için çocuklar kontrol altında bulundurulmalıdır.
- Besleme kablosu hasar görürse yetkili servis tesisi tarafından deęiştirilmelidir.
- Bataryanın tip referansı için "TEKNİK ÖZELLİKLER" bölümüne bakın.
- Bataryanın nasıl çıkarılacağı veya takılacağı ile ilgili olarak "Batarya kartuşunun takılması veya çıkartılması" kısmına bakın.
- Batarya kartuşunu bertaraf ederken aletten çıkarın ve güvenli bir yerde bertaraf edin. Bataryanın bertaraf edilmesi ile ilgili yerel düzenlemelere uyun.
- Alet uzun süre kullanılmıyacaksa batarya aletten çıkarılmalıdır.
- Batarya kartuşunu kısa devre yapmayın.
- Kullanıcı bakımı sırasındaki uygun önlem bilgileri için "BAKIM" bölümüne bakın.

Genel görünüm

- | | | |
|---|-------------------------------|---------------------------|
| 1. Fiş (şekli ve kablo uzunluğu, ülkeden ülkeye farklılık gösterebilir) | 10. Emiş kuvveti ayar düğmesi | 20. Toz filtresi (HEPA) |
| 2. AC güç göstergesi | 11. Rulet | 21. Muhafaza |
| 3. Kilit | 12. Kilitleme pedalı | 22. Ön filtre |
| 4. Akü kapağı | 13. SERBEST konum | 23. Montaj konumu işareti |
| 5. Akü | 14. KLİTLİ konum | 24. Su filtresi |
| 6. Kontrol düğmesi | 15. Tank kapağı | 25. Plastik tutucu |
| 7. Gösterge lambaları | 16. Şamandıra | 26. Kağıt torba |
| 8. Bekleme düğmesi | 17. Şamandıra kafesi | 27. Tutucu |
| 9. Güç düğmesi | 18. Bez filtre | 28. Tutucu levha |
| | 19. Tank | 29. Polietilen torba |

ÖZELLİKLER

Model		DVC860L	DVC861L
Standart filtre tipi		Bez filtre (kuru ve yaş toz için)	Toz filtresi (kuru toz için)
Debi (hava)	DC çalışma (BL1830, ø38 mm x 2,5 m hortum)	2,1 m ³ /dak	
	AC çalışma (ø38 mm x 2,5 m hortum)	3,6 m ³ /dak	
Çekiş basıncı	DC çalışma (BL1830, ø38 mm x 2,5 m hortum)	90 hPa	
	AC çalışma (ø38 mm x 2,5 m hortum)	240 hPa	
Kullanılabilir kapasite	Toz	8 L	
	Su	6 L	–
Boyutlar (U x G x Y)		366 mm x 334 mm x 368 mm	
AC çalışmada elektrik deęerleri		Ülkeye baęlıdır. İsim plakasına bakın.	
Anma hacmi (aküyle çalışma)		DC 36 V	
Net ağırlık		8,6 - 9,2 kg	9,3 - 9,9 kg
Koruma sınıfı		IPX4	
Güvenlik sınıfı		□/II	

- Sürekli yapılan araştırma ve geliştirmelerden dolayı, burada belirtilen özellikler önceden bildirilmeksizin deęiştirilebilir.
- Özellikler ve batarya kartuşu ülkeden ülkeye deęişebilir.
- Ağırlık, batarya kartuşu/kartuşları hariç aksesuarları içermez. Cihazın ve batarya kartuşunun/kartuşlarının en hafif ve en ağır birleşik ağırlığı tabloda gösterilmiştir.
- Yaş toz için, şamandıra ve su filtresi veya bez filtre gereklidir.

İlgili akü ve şarj cihazı

Akü	BL1815N/BL1820B/BL1830B/BL1840B/BL1850B/BL1860B
Şarj cihazı	DC18RC/DC18RD/DC18RE/DC18SD/DC18SE/DC18SF/DC18SH

- Listelenen akülerden ve şarj cihazlarından bazıları yaşadığınız bölgede bulunmayabilir.


⚠ UYARI:


- Sadece yukarıda listelenen aküleri ve şarj cihazlarını kullanın.** Başka akülerin ve şarj cihazlarının kullanılması yaralanmalara ve/veya yangına yol açabilir.


Simgeler


END118-1


Ekipmanı için kullanılabilecek semboller aşağıda gösterilmiştir. Kullanmadan önce anlamlarını anladığınızdan emin olun.


 Kullanım kılavuzunu okuyun.


 Gerekli önlemleri alın ve dikkatli olun.

 Uyarı! Elektrik süpürgesi tehlikeli tozlar içerebilir.

 Kesinlikle elektrik süpürgesi üzerine çıkmayın.

 Toz sınıfı L (hafif). Elektrik süpürgeleri, L sınıfı tozları çekme kapasitesine sahiptir.
Ülkenizde tozlar ve işçi sağlığı ve güvenliği ile ilgili yürürlükte olan yönetmelikleri takip edin.

 ÇİFT YALITIMLI

 Sadece AB ülkeleri için
Ekipmanda tehlikeli bileşenler bulunduğundan dolayı atık elektrikli ve elektronik ekipmanlar, aküler ve bataryalar çevre ve insan sağlığı üzerinde olumsuz etkiye yol açabilir. Elektrikli ve elektronik cihazları veya bataryaları evsel atıklarla birlikte atmayın!
Atık elektrikli ve elektronik ekipmanlar ile akümülatörler ve bataryalar hakkındaki Avrupa Direktifi ve söz konusu direktifin ulusal yasalara uyarlanması gereğince atık elektrikli ekipmanlar, bataryalar ve akümülatörler ayrı olarak depolanmalı ve çevre koruma hakkındaki mevzuata uygun olarak faaliyet gösteren ayrı bir kentsel atık toplama noktasına teslim edilmelidir.
Bu husus, ekipmanın üzerine yerleştirilmiş üzerinde çarpı işareti bulunan tekerlekli çöp kovası simgesi ile belirtilmiştir.

Kullanım amacı

ENE084-1

Alet; oteller, okullar, hastaneler, fabrikalar, dükkanlar, ofisler ve kiralama hizmetleri gibi ticari kullanımlar için uygundur.

DVC860L

Bu alet ıslak ve kuru tozları toplamak amacıyla kullanılır.

DVC861L

Bu alet sadece kuru tozları toplamak amacıyla kullanılır.

Güç kaynağı

ENF002-2

Makine yalnızca üzerindeki etikette belirtilen voltaj değerlerine sahip, tek fazlı AC güç kaynaklarına bağlanmalıdır. Çift yalıtımlıdır ve bu nedenle topraksız prizlerle de kullanılabilir.

Kablolu ve akülü süpürge güvenlik uyarıları

ENB124-5

⚠ **UYARI: ÖNEMLİ! KULLANMADAN ÖNCE tüm güvenlik uyarılarını ve tüm talimatları DİKKATLE OKUYUN.** Uyarılara ve talimatlara uyulmaması elektrik şoku, yangın ve/veya ciddi yaralanmalar ile sonuçlanabilir.

- Kullanmadan önce, bu süpürgeyi kullanacak kişilerin bu süpürgeyi kullanımı konusunda yeterince bilgilendirildiğinden emin olun.**
- Kullanmadan önce operatörlere, makinenin kullanımı ve hangi maddeler için kullanılacağına ilişkin, toplanan materyali güvenli çıkarma ve atma yöntemi de dahil olmak üzere bilgi, talimat ve eğitim verilmelidir.**
- Köpük ya da sıvı çıkıyorsa aleti derhal kapatın.**
- Su seviyesi sınırlama cihazını düzenli olarak temizleyin ve hasar belirtilerine karşı inceleyin.**
- Süpürgeyi filtresiz kullanmayın. Hasarlı filtreyi hemen değiştirin.**
- UZATMA KABLOSU KULLANIMI.** Güç kaynağınıza olan mesafe uzak olduğu için uzatma kablosu kullanırken yeterince kalın ancak çok uzun olmayan bir kablo kullanmaya çalışın, aksi takdirde süpürge performansı olumsuz etkilenebilir. Açık hava uygulamaları için açık havada kullanılmaya uygun bir uzatma kablosu kullanın.
- GERİLİM UYARISI:** Süpürgeyi bir güç kaynağına (priz, duvar prizi, vb.) bağlamadan önce beslenen gerilimin süpürge için belirtilenle aynı olduğundan emin olun. Süpürge için belirtilenden daha yüksek gerilimli bir güç kaynağı, kullanıcının CİDDİ YARALANMASINA ve süpürge için belirtilenden daha düşük gerilimli bir güç kaynağı kullanılması motor için zararlıdır.
- İSTEM DIŞI BAŞLATMAYI ÖNLEYİN.** Fişi prize takarken anahtarın KAPALI konumunda olduğundan emin olun.
- Yanıcı malzemeleri, havai fişekleri, yanan sigaraları, sıcak külleri, sıcak metal parçaları; jilet,**

- igne, kırık cam vb. keskin malzemeleri süpürgeyle çekmeye çalışmayın.
10. SÜPÜRGEYİ ASLA BENZİN, GAZ, BOYA, YAPIŞTIRICILAR YA DA DİĞER YÜKSEK ORANDA PATLAYICI ÖZELLİĞİ OLAN MADDELERİN YAKININDA KULLANMAYIN. AÇMA ve KAPAMA sırasında anahtardan kıvılcım çıkar. Kullanım sırasında motor kolektöründen de kıvılcım çıkar. Ciddi bir patlama meydana gelebilir.
 11. Asbest, arsenik, baryum, berilyum, kurşun, pestisitler gibi zehirli, kanserojen, yanıcı veya diğer tehlikeli maddeleri veya sağlığa zararlı maddeleri süpürgeyle çekmeyin.
 12. Düşmesini veya kazara hareket etmesini engellemek için süpürgeyi her zaman yatay düz bir yüzeye yerleştirin.
 13. Süpürgeyi yağmurlu havalarda dışarıda asla kullanmayın.
 14. Finlandiya için bu makine düşük sıcaklıkta dış mekanlarda kullanılmamalıdır.
 15. Isı kaynaklarının yakınında kullanmayın (ocak vb.).
 16. Egzoz havası odaya geri dönerse odada yeterli bir hava değişim oranı sağlamak gereklidir. Gerekirse ulusal mevzuata başvurun.
 17. ELEKTRİK ÇARPMASINA KARŞI KORUMA. Vücudun topraklı yüzeylere temas etmesini önleyin. Örneğin borular, radyatörler, fırınlar, buzdolabı gövdeleri.
 18. Soğutma kanallarını kapatmayın. Bu kanallar motorun soğumasını sağlar. Kanalların kapatılmasından dikkatle kaçınılmalıdır, aksi takdirde yetersiz havalandırma nedeniyle motor yanar.
 19. Her zaman yere sağlam basın ve dengeyi koruyun.
 20. KABLOYU KÖTÜYE KULLANMAYIN. Süpürgeyi asla kablosundan taşımayın veya prizden ayırmak için aniden çekmeyin. Kabloyu ısı, yağ ve keskin uçlardan uzak tutun. Süpürge kablolarını düzenli olarak kontrol edin ve hasarlı ise yetkili servis tesisine tamir ettirin. Uzatma kablolarını düzenli olarak kontrol edin ve hasar görmüşse değiştirin.
 21. Hortumu katlamayın, çekiştirmeyin veya üzerine basmayın.
 22. Kullanım sırasında performansta zayıflama ya da normal olmayan herhangi bir durum tespit ettiğinizde süpürgeyi derhal durdurun.
 23. SÜPÜRGEYİ AYIRIN. Kullanılmadığında, servis işlemlerinden önce ve aksesuarları değiştirirken.
 24. Süpürgeyi en iyi kullanım koşullarında tutmak için her kullanımdan sonra süpürgeyi derhal temizleyin ve bakımını yapın.
 25. SÜPÜRGENİN BAKIMINI DİKKATLİ BİR ŞEKİLDE YAPIN. Daha iyi ve güvenli performans için süpürgeyi temiz tutun. Aksesuarların değiştirilmesi için talimatlara uyun. Tutamakları kuru, temiz ve yağ ve gres bulaşmamış halde bulundurun.
 26. HASARLI PARÇALARI KONTROL EDİN. Süpürgeyi kullanmaya devam etmeden önce, hasar görmüş siper ya da başka bir parça, uygun şekilde çalışıp çalışmayacağını ve amaçlanan işlevi görüp göremeyeceğini belirlemek amacıyla, dikkatli bir şekilde kontrol edilmelidir. Hareketli parçalarını hizalanmalarını, bağlantılarını, parçalardaki kırıkları, montajlarını ve işleyişi etkileyebilecek başka durumları kontrol edin. Hasar görmüş siper ya da başka bir parça, bu kullanım kılavuzunda başka bir yer belirtilmediği sürece yetkili bir servis merkezi tarafından onarılmalı ya da değiştirilmelidir. Arızalı anahtarları yetkili servis merkezinde değiştirin. Anahtar süpürgeyi açıp kapatmıyorsa süpürgeyi kullanmayın.
 27. Kullanıcı bakımı için makine, bakım personelini ve diğerlerini riske atmadan makul şekilde uygulanabilir ölçüde sökülmeli, temizlenmeli ve bakımı yapılmalıdır.
 28. Makine, üretici firma veya eğitilmiş bir personel tarafından yılda en az bir kez teknik olarak muayene edilmelidir; bu muayene örneğin filtrelerin hasara karşı kontrol edilmesini, makinenin hava geçirmezliğini ve kontrol mekanizmasının düzgün çalışıp çalışmadığını içermelidir.
 29. Bakım veya onarım işlemleri yaparken tatminkar düzeyde temizlenemeyen tüm kirli elemanlar atılmalıdır; söz konusu elemanlar, bu tür atıkların atılması ile ilgili mevcut tüm mevzuata uygun olarak sızdırmaz torbalarda atılmalıdır.
 30. YEDEK PARÇALAR. Servis için sadece aynı yedek parçaları kullanın.
 31. SÜPÜRGENİN KULLANILMADIĞI ZAMAN SAKLANMASI. Kullanılmadığında, süpürgeyi iç mekanlarda saklayın.
 32. Islak filtreler ve sıvı kabının iç kısmı depolanmadan önce kurutulmalıdır.
 33. Süpürgenizi özenle kullanın. Kaba kullanım en sağlam yapıyı süpürgenin bile kırılmasına neden olabilir.
 34. İcini ya da dışını benzin, tiner veya temizleyici kimyasallarla temizlemeye çalışmayın. Çatlaklar ya da renk değişiklikleri oluşabilir.
 35. Yağ bazlı boya, boya inceltici, benzin, bazı güve yemez maddeler vb.den yanıcı, patlayıcı veya zehirli buharlar çıkan kapalı ortamlarda veya yanıcı tozların mevcut olduğu alanlarda süpürgeyi kullanmayın.
 36. Temizlik işini bitirdikten sonra süpürge kablosunu yerde bırakmayın. Takılarak düşme tehlikesi oluşturabilir veya süpürgenin hasar görmesine neden olabilir.
 37. Bu aleti ya da diğer aletleri alkol veya ilaçların etkisi altında kullanmayın.
 38. Temel bir güvenlik kuralı olarak güvenlik gözlükleri veya kenar siperli güvenlik gözlükleri kullanın.
 39. Tozlu çalışma koşullarında bir toz maskesi kullanın.
 40. Bu makine fiziksel, duyuusal ya da zihinsel yetenekleri kısıtlı olan veya deneyim ya da bilgileri olmayan kişiler ve çocuklar tarafından kullanıma uygun değildir.
 41. Süpürge ile oynamadıklarından emin olmak için çocuklar kontrol altında bulundurulmalıdır.
 42. Fişli kablo veya süpürgeyi asla ıslak elle ellemeyin.
 43. Merdivenlerde temizlik yaparken çok dikkatli olun.

44. Süpürgeyi basamak ya da çalışma tezgahı olarak kullanmayın. Makine devrilebilir ve kişisel yaralanmaya neden olabilir.

Bataryalı aletin kullanımı ve bakımı

1. **Sadece üretici tarafından belirtilen şarj aleti ile şarj edin.** Bir batarya kutusu için uygun olan şarj cihazı başka bir batarya kutusu ile kullanıldığında yangın riski oluşturabilir.
2. **Elektrikli aletleri sadece özel olarak belirtilen batarya kutuları ile kullanın.** Başka batarya kutularının kullanımı yaralanma ve yangın riski oluşturabilir.
3. **Batarya kutusu kullanılmadığında; iki terminal arasında bağlantı kurulmasına sebep olabilecek ataç, bozuk para, anahtar, çivi, vida gibi metal nesnelere ya da küçük metal objelerden uzak tutun.** Batarya terminallerine kısa devre yaptırmak yanıklara ya da yangına yol açabilir.
4. **Kötü koşullarda bataryadan sıvı sızabilir; bu sıvıyı temas etmeyin. Eğer istemeden bir temas olursa suyla yıkayın. Sıvı göze temas ederse, suyla yıkadıktan sonra tıbbi yardım alın.** Bataryadan çıkan sıvı tahrişe ya da yanıklara neden olabilir.
5. **Batarya kutusu ya da alet hasar görmüşse ya da üzerinde değişiklik yapılmışsa batarya kutusunu kullanmayın.** Hasar görmüş ya da üzerinde değişiklik yapılmış batarya kutuları yangın, patlama ya da yaralanma riski ile sonuçlanan beklenmedik davranışlar sergileyebilir.
6. **Batarya kutusunu veya aleti ateşe ya da aşırı sıcaklıklara maruz bırakmayın.** Ateşe ya da 130 °C'nin üzerindeki sıcaklıklara maruz bırakmak patlamaya neden olabilir.
7. **Tüm şarj talimatlarına uyun ve batarya kutusunu ya da aleti yönergelerde belirtilen sıcaklık aralığının dışındaki sıcaklıklarda şarj etmeyin.** Uygun olmayan bir şekilde ya da belirtilen sıcaklık aralığının dışında şarj etmek bataryaya zarar verebilir ve yangın riskini artırabilir.

BU TALİMATLARI SAKLAYIN.

⚠ UYARI:

Ürünü kullanırken defalarca kullanmanın getirdiği rahatlık ve tanıdıklık duygusunun, güvenlik kurallarına sıkı sıkıya bağlı kalmanızı önlemesine İZİN VERMEYİN. YANLIŞ KULLANIM veya bu kullanım kılavuzunda belirtilen güvenlik kurallarına uyulmaması ciddi yaralanmalara neden olabilir.

Batarya kartuşu hakkında önemli güvenlik talimatları

ENC007-17

1. **Batarya kartuşunu kullanmadan önce, tüm talimatları ve (1) batarya kartuşu, (2) batarya ve (3) ürün üzerindeki tüm uyarı işaretlerini okuyun.**
2. **Batarya kartuşunu parçalarına ayırmayın veya kurcalamayın.** Yangın, aşırı ısı veya patlamaya neden olabilir.
3. **Çalışma süresi aşırı derecede kısalmışsa kullanmayı derhal bırakın. Aşırı ısınma, yanma riski hatta patlamaya neden olabilir.**

4. **Gözünüze elektrolit kaçarsa, gözlerinizi temiz suyla durulayın ve hemen tıbbi yardım alın. Görme kaybına yol açabilir.**
 5. **Batarya kartuşuna kısa devre yaptırmayın:**
 - (1) Terminallere herhangi bir iletken madde değdirmeyin.
 - (2) **Batarya kartuşunu çiviler, madeni paralar, vb. gibi başka metal nesnelere aynı kaba koymaktan kaçının.**
 - (3) **Batarya kartuşunu yağmura ya da suya maruz bırakmayın.**
- Kısa devre, büyük bir akım akışına, aşırı ısınmaya, olası yanıklara hatta bataryanın bozulmasına yol açabilir.**
6. **Aleti ve batarya kartuşunu sıcaklığın 50°C ya da daha yükseğe ulaştığı yerlerde saklamayın ve kullanmayın.**
 7. **Aşırı derecede hasar görmüş ya da tamamen kullanılamaz durumda olsa bile batarya kartuşunu yakmayın. Batarya kartuşu ateşe atılırsa patlayabilir.**
 8. **Batarya kartuşunu çivilemeyin, kesmeyin, ezmeyin, fırlatmayın, düşürmeyin ya da batarya kartuşuna sert bir nesne ile vurmeyin.** Bu eylemler yangın, aşırı ısı veya patlamaya neden olabilir.
 9. **Hasarlı bataryayı kullanmayın.**
 10. **Aletin içerdiği lityum-iyon bataryalar Tehlikeli Eşyalar Yönetmeliğinin gereksinimlerine tabidir.** Ticari nakliye işlemleri için, örneğin üçüncü taraflar, nakliye acenteleri tarafından yapılan nakliyelerde, paketleme ve etiketleme gereksinimlerine uyulmalıdır. Nakliyesi yapılacak ürünün hazırlanması için, tehlikeli maddeler konusunda uzman bir kişiye danışın. Lütfen muhtemelen daha ayrıntılı olan ulusal yönetmeliklere de uyun. Açık kontakları bantlayın ya da maskeleyin ve bataryayı paketin içinde hareket etmeyecek şekilde paketleyin.
 11. **Batarya kartuşunu bertaraf ederken aletten çıkarın ve güvenli bir yerde bertaraf edin. Bataryanın bertaraf edilmesi ile ilgili yerel düzenlemelere uyunuz.**
 12. **Bataryaları sadece Makita tarafından belirtilen ürünlerle kullanın.** Bataryaların uyumsuz ürünlere takılması; yangın, aşırı ısınma, patlama ya da elektrolit sızıntısına neden olabilir.
 13. **Alet uzun süre kullanılmayacaksa batarya aletten çıkarılmalıdır.**
 14. **Kullanma sırasında ve sonrasında batarya kartuşu ısınarak yanıklara veya düşük sıcaklık yanıklarına yol açabilir. Sıcak batarya kartuşları ile işlem yaparken dikkat edin.**
 15. **Yanıklara neden olabilecek kadar sıcak olabileceğinden kullandıktan hemen sonra aletin terminaline dokunmayın.**
 16. **Batarya kartuşunun terminallerine, deliklerine ve kanallarına micir, toz veya toprak girmesine izin vermeyin.** Aletin veya batarya kartuşunun ısınmasına, alev almasına, patlamasına ve arızalanmasına neden olarak yanıklara veya yaralanmaya yol açabilir.
 17. **Alet yüksek gerilim elektrik güç hatları yakınında kullanımı desteklemediği sürece batarya kartuşunu yüksek gerilim elektrik güç hatlarının**

yakınında kullanmayın. Aletin veya batarya kartuşunun arızalanmasına veya bozulmasına neden olabilir.

18. Bataryayı çocuklardan uzak tutun.

BU TALİMATLARI MUHAFAZA EDİNİZ.

⚠ DİKKAT: Sadece orijinal Makita bataryalarını kullanın. Orijinal olmayan Makita bataryaları ya da üzerine değişiklik yapılmış bataryaların kullanımı bataryanın patlamasına ve sonuç olarak yangın, kişisel yaralanma ve hasara neden olabilir. Ayrıca Makita aleti ve şarj aletinin Makita tarafından sunulan garantisini de geçersiz olur.

Maksimum batarya ömrü için ipuçları

1. Batarya kartuşunu tamamen boşalmadan önce şarj edin. Aletin gücünün zayıflamaya başladığını fark ettiğinizde aleti durdurun ve batarya kartuşunu şarj edin.
2. Tam dolu bir batarya kartuşunu asla yeniden şarj etmeyin. Aşırı şarj etme bataryanın hizmet ömrünü kısaltır.
3. Batarya kartuşunu 10 °C - 40 °C oda sıcaklığında şarj edin. Sıcak bir batarya kartuşunu şarj etmeden önce soğumasını bekleyin.
4. Batarya kartuşunu kullanmıyorken aletten veya şarj aletinden çıkarın.
5. Uzun bir süre (altı aydan daha fazla) kullanmadığınız durumlarda batarya kartuşunu şarj edin.

KULLANIMA İLİŞKİN TANIMLAR

AC gücüyle çalıştırma:

⚠ UYARI:

- Elektrik süpürGESİNİ fişe takmadan önce makinenin kapalı konumda olduğundan emin olun. Elektrik süpürGESİNİN, açma/kapama düğmesi açıkken prize takılması makinenin istenmeyen şekilde çalışmasına ve neticesinde ciddi yaralanmalara neden olabilir.

Fişi bir güç kaynağına takın. (Şekil 1)

Bekleme düğmesi "I" tarafına getirildiğinde, AC güç göstergesi yanar. (Şekil 2)

NOT:

- DC güç modunda çalıştırılrsa dahi, makine fişe takıldığında otomatik olarak AC güç moduna ayarlanır.
- Akü takılıyken, çalışma sırasında makinenin fişi çıkartılırsa, elektrik süpürGESİNİ bekleme durumuna geçer.

Aküyle kullanım:

Akünün takılması ve çıkartılması

⚠ DİKKAT:

- Elektrik süpürGESİNİ üzerinde ayar veya başka bir kontrol işlemi gerçekleştirilmeden önce elektrik süpürGESİNİN kapalı ve aküsünün çıkartılmış olduğundan emin olun.

- Aküyü takarken ve çıkarırken elektrik süpürGESİNİ ve aküyü sıkıca tutun. Aksi takdirde, elektrik süpürGESİNİ ve akü elinizden kayarak düşebilir ve neticesinde elektrik süpürGESİNİ ve akü hasarları ve yaralanmalar meydana gelebilir.
- Akü kapağını açarken ve kapatırken parmaklarınızı sıkıştırmamaya dikkat edin. Aksi takdirde, yaralanmalar meydana gelebilir.

Aküyü takmak için, öncelikle kilidi ve ardından akü kapağını açın. Ardından aküyü takın. (Şekil 3) Aküdeki dili makine gövdesindeki yuvayla aynı hizaya getirin ve aküyü iterek yerine oturtmasını sağlayın. Akünün tam yerine oturduğunu klik sesinden anlayabilirsiniz. Ardından, akü kapağını kilitleyin. (Şekil 4) Aküyü çıkarmak için akünün ön tarafında bulunan düğmeyi bastırın ve aküyü çekerek makineden çıkarın.

İKAZ:

- Elektrik süpürGESİNİ aküyle kullanırken elektrik süpürGESİNİN fişini uzatma kablosundan çıkarın.

⚠ DİKKAT:

- Aküyü daima yerine tam olarak oturtun. Aksi takdirde, akü makineden kayıp düşebilir ve operatörün veya çevredeki kişilerin yaralanmasına neden olabilir.
- Aküyü zorlayarak takmaya çalışmayın. Akünün makineye rahatça takılmaması, yanlış takıldığını gösterir.

NOT:

- Elektrik süpürGESİNİ yalnızca tek bir aküyle çalışmaz.

Makine/akü koruma sistemi


Bu makinede bir makine/akü koruma sistemi mevcuttur. Bu sistem, makine ve akü ömrünü uzatmak için motora beslenen gücü otomatik olarak keser.

Makine veya akü için aşağıda sıralanan durumlardan birinin geçerli olması halinde, çalışmayı otomatik olarak durdurur. Bazı durumlarda göstergeler yanar.

Aşırı yük koruması

Makine aşırı yüklenirse otomatik olarak durur. Böyle bir durumda, makineyi kapalı konuma getirin ve makinenin aşırı yüklenmesinin nedenini ortadan kaldırın. Ardından, makineyi yeniden başlatın.

Makine için aşırı ısınma koruması

<input checked="" type="checkbox"/> : Açık	<input checked="" type="checkbox"/> : Yanıp sönmüyor
	

015485

Makine aşırı ısınmışsa, makine otomatik olarak durur ve akü göstergesi yaklaşık 60 saniye boyunca yanıp söner. Böyle bir durumda, makineyi tekrar açık konuma getirmeden önce makinenin soğumasını bekleyin.





Aşırı deşarj koruması

Akü kapasitesi azaldığında, makine otomatik olarak durur. Düğmelere basılmasına rağmen makine çalışmıyorsa, makinedeki aküleri çıkartın ve aküleri şarj edin.

Kalan akü kapasitesi göstergesi (Şekil 5 ve 6)

Akü göstergelerinin kalan akü kapasitelerini göstermesini sağlamak için kontrol düğmesine basın. Akü göstergelerinin her biri bir aküye karşılık gelir.

Kalan akü kapasitesi göstergesi







Akü göstergesinin durumu			Kalan akü kapasitesi
■ : Açık	□ : Kapalı	▧ : Yanıp sönüyor	
			%50 - %100
			%20 - %50
			%0 - %20
			Aküyü şarj edin

015527

Kalan akü kapasitesinin görüntülenmesi

Sadece göstergeli aküler için (Şekil 7)

Kalan akü kapasitesini görmek için akü üzerindeki kontrol düğmesine basın. Ardından, gösterge lambaları birkaç saniye yanar.

Gösterge lambaları			Kalan kapasite
■ Açık	□ Kapalı	▧ Yanıp sönüyor	
			%75 ile %100 arası
			%50 ile %75 arası
			%25 ile %50 arası
			%0 ile %25 arası
			Aküyü şarj edin.
			Akü bozulmuş olabilir.

015658

NOT:

- Gösterilen kapasite seviyesi, kullanım koşullarına ve ortam sıcaklığına bağlı olarak gerçek seviyeden bir miktar farklı olabilir.

Açma/kapatma işlemi (Şekil 8)

Elektrik süpürgesini çalıştırmak için:

- Bekleme düğmesini "I" tarafına getirin. Elektrik süpürgesi bekleme konumuna geçer.

- Güç düğmesine basın.

Elektrik süpürgesini bekleme konumuna getirmek için, güç düğmesine tekrar basın.

Elektrik süpürgesini kapatmak için, bekleme düğmesini "O" tarafına getirin.

Emiş gücü, çalışma ihtiyacınıza bağlı olarak ayarlanabilir. Emiş gücü, emiş kuvveti ayar düğmesi ⇄ simgesinden ⇄ simgesine getirilerek yükseltilebilir.

İKAZ:

- Elektrik süpürgesi uzun bir süre kullanılmayacaksa daima bekleme düğmesini "O" tarafına getirin. Elektrik süpürgesi, bekleme konumunda da güç tüketir.

Yaş emiş çalışması sırasında otomatik emiş durdurma (bez filtre modeli için)

⚠ UYARI:

- Şamandıra çalışırken elektrik süpürgesini uzun süre kullanmayın.** Elektrik süpürgesini şamandıra çalışırken uzun süre kullanmanız aşırı ısınmaya ve elektrik süpürgesinin hasar görmesine neden olabilir.
- Köpük veya sabunlu siviları çekmeyin.** Köpük veya sabunlu su çekilmesi, şamandıra çalışmadan önce hava çıkışından köpük gelmesine neden olabilir. Elektrik süpürgesinin bu şekilde kullanılmaya devam edilmesi, elektrik çarpmasına ve süpürge arızasına neden olabilir.

Otomatik emiş durdurma yalnızca şamandıra ve şamandıra kafesi kullanılırken çalışır. Elektrik süpürgesi, belirli bir miktarın üzerinde su çekildiğinde motora su girmesini önleyen bir şamandıra mekanizmasına sahiptir. Tank dolduğunda ve elektrik süpürgesi daha fazla su çekemiyorsa, süpürgeyi kapatın ve tankı boşaltın.

Ruletin kilitlenmesi ve açılması (Şekil 9)

Ruleti kilitlemek için kilitleme pedalına bastırın. Bu işlemden sonra rulet hareket etmeyecektir. Ruleti tekrar açmak için kilitleme pedalını yukarı doğru çekin. Elektrik süpürgesi kullanılmadığında, çalışmaya ara verdiğinizde ve elektrik süpürgesini sabit tutmak için ruleti kilitlemeniz doğru olacaktır. Kilitleme pedalını elinizle hareket ettirin.

NOT:

- Elektrik süpürgesini hareket ettirirken, ruletin kilitlemediğinden emin olun. Elektrik süpürgesinin rulet kilitleti konumdayken hareket ettirilmesi rulete zarar verebilir.

Taşıma sapı (Şekil 10)

Elektrik süpürgesini taşıırken, üst gövde üzerinde bulunan sapından tutun. Sap, kullanılmadığı zaman üst gövde içerisine katlanabilir.

PARÇALARIN TANIMI

DVC860L Modeli

(Bez filtre (kuru ve yaş toz için) modeli) (Şekil 11)

DVC861L Modeli

(Toz filtre (kuru toz için) modeli) (Şekil 12)

MONTAJ

⚠ DİKKAT:

- Elektrik süpürgesi üzerinde herhangi bir işlem yapmadan önce elektrik süpürgesinin kapalı ve aküsünün çıkarılmış olduğundan emin olun.
- Montaj ve bakım işlemleri sırasında daima toz maskesi takın.

Toz filtresinin (HEPA) ve ön filtrenin (kuru tozlar için) takılması (Şekil 13 ve 14)

Bez filtre modeli için opsiyonel aksesuar

⚠ DİKKAT:

- Toz filtre kullanılıyorsa, kesinlikle su veya diğer sıvıları veya yağ tozları çekmeyin. Aksi takdirde, toz filtresi yırtılabilir.

Toz filtreyi kullanmak için, şamandıra kafesini ve şamandırayı civataları sökerek çıkartın.

Ön filtreyi tanka yerleştirin.

Ardından, muhafazayı toz filtresine ve bu tertibatı ön filtreye yerleştirin.

Toz filtresini ve ön filtreyi takarken, her biri üzerindeki montaj konumu işaretleri tank üzerindeki işaretlerle aynı hizaya gelmelidir.

Son olarak, tank kapağını takın ve kilitleyin.

NOT:

- Toz filtresini kullanmadan önce, ön filtrenin ve muhafazanın daima birlikte kullanıldığından emin olun. Toz filtresinin tek başına takılmaması gerekir.

Su filtresinin (opsiyonel aksesuar) takılması (bez filtre modeli için)

⚠ DİKKAT:

- Şamandıra ve bez filtre veya su filtresi olmadan kesinlikle suyu veya yağ tozları çekmeyin.
- Yağ tozları çekmek için, elektrik süpürgesine şamandıra kafesi ve şamandıranın takılı olduğundan emin olun.
- Su filtresini tanka takarken, tank açıklığına sağlam şekilde yerleştirin ve su filtresi kancasının tank açıklığına sağlam şekilde oturduğundan ve su filtresi ile tank arasında hiç boşluk kalmadığından emin olun.

İKAZ:

- Sık sık yüksek miktarda su çekiyorsanız su filtresi kullanmanızı öneririz. Aksi takdirde, bez filtrenin çekiş kapasitesi azalabilir.

Yalnızca su veya yağ tozları çekmek için, bez filtreye göre su filtresi daha uygundur.

Su filtresini takarken, montaj konumu işaretleri ile tank üzerindeki işaretlerle aynı hizaya getirin. (Şekil 15)

Kağıt torbanın (opsiyonel aksesuar) takılması

⚠ UYARI:

- Kağıt torba kullanılırken, önceden makineye takılı olan bez filtreyi veya ön filtreyi kullanın. Bez filtrenin/ön filtrenin birlikte kullanılmaması durumunda anormal gürültü ve ısı meydana gelebilir ve neticesinde yangın çıkabilir.

⚠ DİKKAT:

(Bez filtre modeli için)

- Kağıt torba taktıktan sonra kesinlikle su veya diğer sıvıları veya yağ tozları çekmeyin. Aksi takdirde, kağıt torba yırtılabilir.
- Kağıt torbayı kullanmadan önce, toz filtresinin (opsiyonel aksesuar), muhafazanın (opsiyonel aksesuar) ve ön filtrenin daima birlikte kullanıldığından emin olun.

(Toz filtre modeli için)

- Kağıt torbayı kullanmadan önce, toz filtresinin, muhafazanın ve ön filtrenin daima birlikte kullanıldığından emin olun.

- Plastik tutucuyu çıkartın. (Şekil 16)
- Kağıt torbayı açın.
- Kağıt torba açıklığını elektrik süpürgesinin toz emiş açıklığıyla aynı hizaya getirin.
- Kağıt torbanın karton kısmını mandal çıkıntısının ilerisine oturacak şekilde tutucuya yerleştirin. (Şekil 17)

Polietilen torbanın atılması

Elektrik süpürgesi polietilen torba takılmadan da kullanılabilir. Ancak, polietilen torba kullanılması durumunda tankın boşaltılması kolaylaşır ve ellerinin kirlenmez.

Polietilen torbayı tanka yayın. Tutucu levhayla tank arasından geçirin ve hortum girişine doğru çekin. Ön filtre kenarı, torbayı tutacak ve sağlam şekilde saracak biçimde, tankın üstüne açın. (Şekil 18)

NOT:

- Piyasada satılan polietilen torbalar kullanılabilir. 0,04 mm ve daha kalın olanlarının kullanılması önerilir.
- Çok fazla toz çekilmesi torbanın kolayca aşınmasına neden olur, bu nedenle toplanan tozun torba kapasitesinin yarısını geçmemesine dikkat edin.

Polietilen torbanın boşaltılması

⚠ UYARI:

- Polietilen torbayı boşaltmaya başlamadan önce mutlaka elektrik süpürgesinin kapalı ve fişinin prizden çekili olduğundan emin olun. Aksi takdirde, elektrik çarptırabilir ve ciddi yaralanmalar ortaya çıkabilir.

⚠ DİKKAT:

- Şamandıra kafesine ve tanka şiddetli bir darbe uygulamamaya dikkat edin. Şiddetli bir darbe uygulanırsa, parçalarda deformasyon ve hasar meydana gelebilir.
- Boşaltma işlemi, tankta toplanan toz miktarına bağlı olmasına rağmen, tankı günde en az bir defa boşaltın. Aksi takdirde, emiş kuvveti zayıflar ve motor arızalanabilir.
- Tankı boşaltırken askısından tutmayın. Askıdan tutulması askıya zarar verebilir.

Tank kapağını çıkartın ve kaldırın.

Bez filtredeki/toz filtresindeki tozu silkeleyin ve ardından polietilen torbayı tanktan çıkartın. (Şekil 19)

NOT:

- Polietilen torbayı dikkatli bir şekilde tanktan çıkartın. Bu işlem sırasında polietilen torbanın bir yere takılmamasına ve tank içerisindeki çıkıntıya değerek zedelenmemesine dikkat edin.

- Polietilen torbayı tamamen dolmasını beklemeden boşaltın. Tank içerisinde fazla miktarda toz olması, polietilen torbanın aşınmasına neden olabilir.

Alet kutusunun takılması

1. Akü kapağı kilidini ve akü kapağını açın.
2. Alet kutusu üzerindeki rayları gövde üzerindeki yuvalara yerleştirin. **(Şekil 20)**
3. Akü kapağını ve kilidi kapatın.

Alet kutusu akülerin, uzatma kablosunun, borunun ve kelepçelerin saklanması için pratiktir. **(Şekil 21)**

Hortumun bağlanması

⚠ DİKKAT:

- Bükme veya yerleştirmek için hortuma kesinlikle kuvvet uygulamayın. Elektrik süpürGESİNİ kesinlikle hortumundan tutarak taşımayın. Hortuma kuvvet uygulanması veya hortumun bastırılması veya çekilmesi hortumun kopmasına veya hasar görmesine neden olabilir.
- Küçük atıklar dışında planya talaşı, beton tozları vs. gibi kaba atıklar çekilirken, iç çapı 38 mm olan bir hortum (opsiyonel aksesuar) kullanın. İç çapı 28 mm olan bir hortumun (opsiyonel aksesuar) kullanılması hortumun tıkanmasına ve zarar görmesine neden olabilir.

Hortumu tankın montaj girişine takın ve sabitlenene kadar saat yönünde çevirin. **(Şekil 22)**

BAKIM

⚠ DİKKAT:

- Makinede herhangi bir kontrol veya bakım işlemine başlamadan önce makinenin kapalı ve aküsünün çikartılmış olduğundan emin olun.

Elektrik kablosunun saklanması (Şekil 23)

Elektrik kablosunu alet kutusu etrafına sarın.

Aksesuarların saklanması (Şekil 24)

Elektrik süpürGESİNİ kısa bir süre kullanılmıyacaksa borular tutucuya yerleştirilebilir. **(Şekil 25)**
Hortum, uç uca bağlanarak alet kutusu etrafında saklanabilir. **(Şekil 26)**

Temizleme

⚠ DİKKAT:

- Kesinlikle gazolin, benzin, tiner, alkol veya benzeri bir madde kullanmayın. Aksi takdirde renk bozulması, deformasyon veya çatlaklar meydana gelebilir.

Bez filtrenin temizlenmesi

Sadece bez filtre modeli için

Bez filtre tıkalıysa, emiş performansını düşürür.

Olası tıkanıklıkları açmak için, filtreleri düzenli olarak temizleyin.

Bez filtreye yapışan tozları ve partikülleri temizlemek için, alt gövdeyi birkaç defa hızlıca sallayın. **(Şekil 27)**

Toz filtresinin (HEPA) ve ön filtrenin temizlenmesi

Sadece toz filtreli model için

Toz filtresinin, ön filtrenin ve muhafazanın tıkanması emiş performansını düşürür.

Filtreleri ve muhafazaları düzenli olarak temizleyin.

Filtrelere yapışan tozları ve partikülleri temizlemek için, alt gövdeyi birkaç defa hızlıca sallayın.

Arada sırada toz filtresini su altında yıkayın ve durulayın.

Ancak, tekrar kullanmadan önce mutlaka gölgede tamamen kurumasını bekleyin. Filtreleri kesinlikle makinede yıkamayın. **(Şekil 28)**

NOT:

- Toz filtresi, ön filtre veya muhafaza üzerine kesinlikle fırça veya spatula gibi sert cisimler değİdİrmeyin.
- Filtreler zamanla aşınır. Yedek filtreler bulundurulması önerilir.

Ürünün EMNİYETLİ ve GÜVENİLİR durumda kalmasını sağlamak için tüm onarımlar, bakım ve ayarlar Yetkili Makita Servis Merkezleri tarafından orijinal Makita yedek parçaları kullanılarak yapılmalıdır.

OPSİYONEL AKSESUARLAR

⚠ DİKKAT:

- Bu kullanım kılavuzunda tanıtılan Makita marka makineyle aşağıdaki aksesuarların ve parçaların kullanılması önerilir. Bunların dışında başka aksesuarların veya parçaların kullanılması yaralanmalara yol açabilir. Aksesuarlar ve parçalar doğru şekilde ve öngörüldükleri işlevler için kullanılmalıdır.

Aksesuarlara ilişkin daha ayrıntılı bilgi almak için size en yakın yetkili Makita servisine başvurabilirsiniz.

- Orijinal Makita akü ve şarj cihazı

- Hortum
- Ön kelepçeler (22, 24, 38)
- Düz boru
- Köşe alma ucu
- Yuvarlak fırça
- Toz filtresi (HEPA) (kuru toz için)
- Muhafaza
- Ön filtre
- Uç tertibatı
- Eğimli boru
- Polietilen torba
- Su Filtresi (bez filtre modeli için seçenektir)
- Kağıt torba
- Tutucu seti

NOT:

- Listedeki bazı parçalar makineyle birlikte standart aksesuar olarak verilebilir. Ürünle verilen aksesuarlar ülkeden ülkeye farklılıklar gösterebilir.

Çalışma Sesi

ENG905-1

IEC60335-2-69 uyarınca belirlenen tipik A ağırlıklı çalışma sesi seviyesi:

Ses basıncı seviyesi (L_{pA}): 75 dB (A)

Belirsizlik (K): 2,5 dB (A)

Çalışma sırasında çalışma sesi seviyesi 80 dB (A)'yı aşabilir.

ENG907-1

- Beyan edilen gürültü emisyonu değer(ler)i bir standart test yöntemine uygun şekilde ölçülmüştür ve bir aleti bir başkasıyla karşılaştırmak için kullanılabilir.
- Beyan edilen gürültü emisyonu değer(ler)i bir ön maruz kalma değerlendirmesi olarak da kullanılabilir.

⚠ UYARI:

- **Kulak koruyucuları takın.**
- **Elektrikli aletin gerçek kullanımı sırasındaki gürültü emisyonu, aletin kullanım biçimlerine, özellikle işlenen iş parçasının türüne bağlı olarak beyan edilen değer(ler)den farklı olabilir.**
- **Gerçek kullanım koşullarındaki tahmini maruziyeti baz alan, operatörü koruyacak güvenlik önlemlerini mutlaka belirleyin (çalışma döngüsü içerisinde aletin kapalı olduğu ve aktif durumda olmasının yanı sıra boşta çalıştığı zamanlar gibi, bütün zaman dilimleri göz önünde bulundurarak).**

Titreşim

ENG900-1

IEC 60335-2-69'a göre belirlenen toplam titreşim değeri (üç eksenli vektörel toplam):

Titreşim emisyonu (a_n): 2,5 m/s² veya altı
Belirsizlik (K): 1,5 m/s²

ENG901-2

- Beyan edilen titreşim toplam değer(ler)i bir standart test yöntemine uygun şekilde ölçülmüştür ve bir aleti bir başkasıyla karşılaştırmak için kullanılabilir.
- Beyan edilen titreşim toplam değer(ler)i bir ön maruz kalma değerlendirmesi olarak da kullanılabilir.

⚠ UYARI:

- **Elektrikli aletin gerçek kullanımı sırasındaki titreşim emisyonu, aletin kullanım biçimlerine, özellikle işlenen iş parçasının türüne bağlı olarak beyan edilen değer(ler)den farklı olabilir.**
- **Gerçek kullanım koşullarındaki tahmini maruziyeti baz alan, operatörü koruyacak güvenlik önlemlerini mutlaka belirleyin (çalışma döngüsü içerisinde aletin kapalı olduğu ve aktif durumda olmasının yanı sıra boşta çalıştığı zamanlar gibi, bütün zaman dilimleri göz önünde bulundurarak).**

EC Uygunluk Beyanı

Sadece Avrupa ülkeleri için

EC uygunluk beyanı bu kullanım kılavuzuna Ek A olarak eklenmiştir.

Makita Europe N.V. Jan-Baptist Vinkstraat 2,
3070 Kortenberg, Belgium

Makita Corporation 3-11-8, Sumiyoshi-cho,
Anjo, Aichi 446-8502 Japan