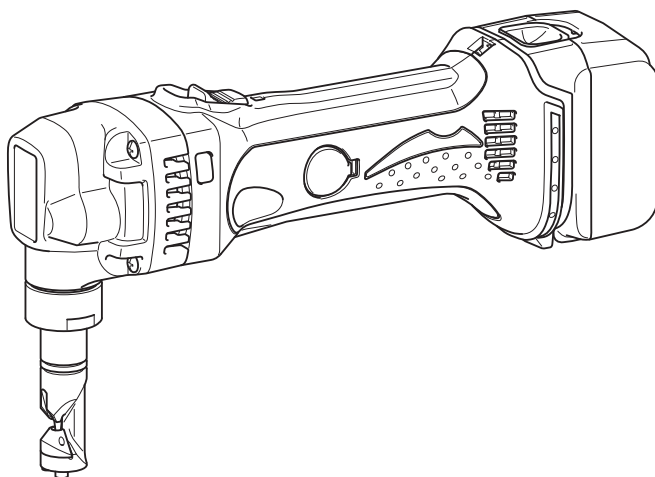
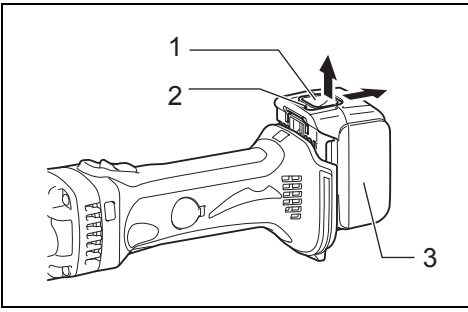




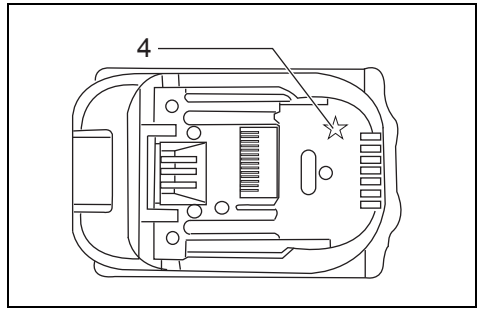
<b>GB</b>	<b>Cordless Nibbler</b>	<b>Instruction Manual</b>
<b>F</b>	<b>Grignoteuse Sans Fil</b>	<b>Manuel d'instructions</b>
<b>D</b>	<b>Akku-Knabber</b>	<b>Betriebsanleitung</b>
<b>I</b>	<b>Roditrice a batteria</b>	<b>Istruzioni per l'uso</b>
<b>NL</b>	<b>Snoerloze knabbelschaar</b>	<b>Gebruiksaanwijzing</b>
<b>E</b>	<b>Roedora Inalámbrica</b>	<b>Manual de instrucciones</b>
<b>P</b>	<b>Tesoura Punção a Bateria</b>	<b>Manual de instruções</b>
<b>DK</b>	<b>Akku-pladestanser</b>	<b>Brugsanvisning</b>
<b>GR</b>	<b>Ζουμποψάλιδο μπαταρίας</b>	<b>Οδηγίες χρήσεως</b>
<b>TR</b>	<b>Akülü Nibler</b>	<b>Kullanma kılavuzu</b>

## DJN161

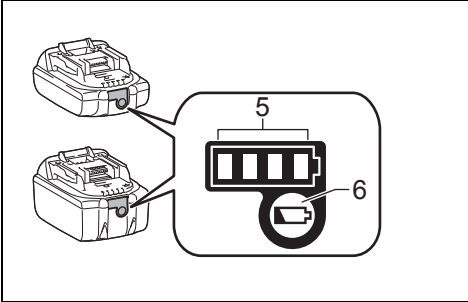




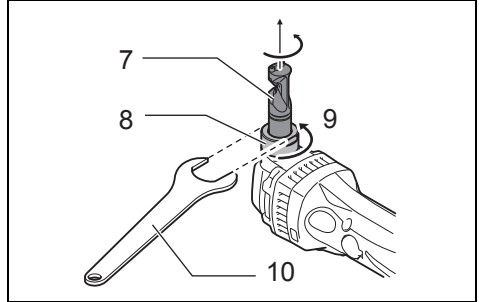
**1** 013273



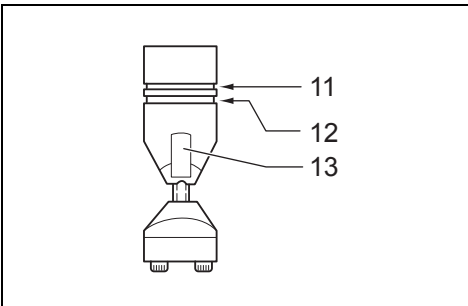
**2** 012128



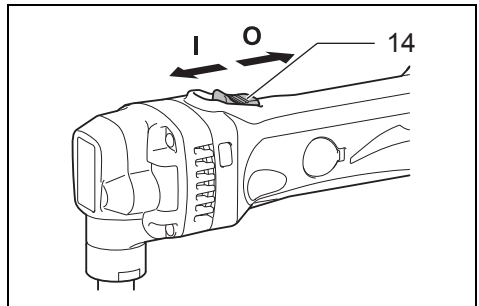
**3** 015659



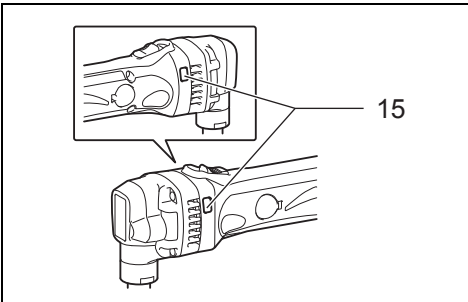
**4** 013275



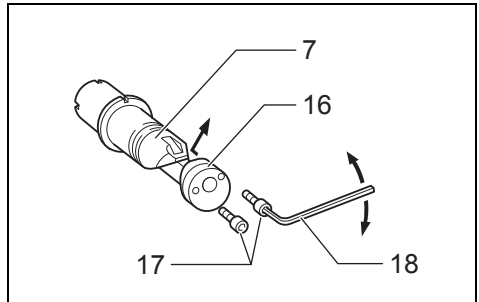
**5** 004775



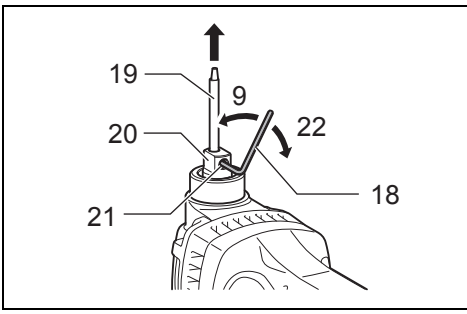
**6** 013276



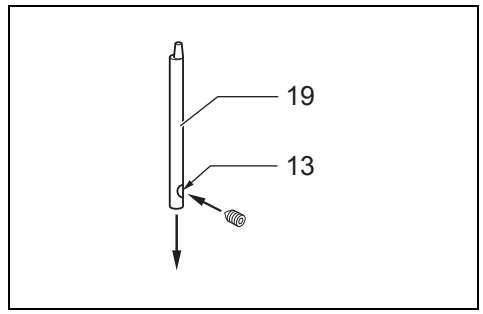
**7** 013277



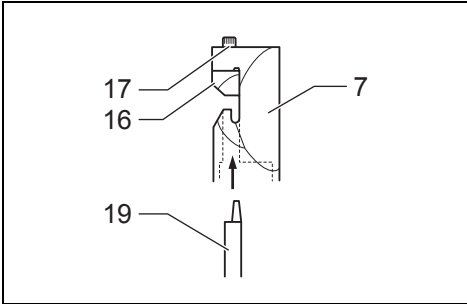
**8** 004779



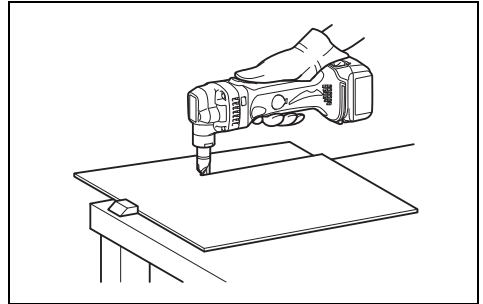
**9** 013274



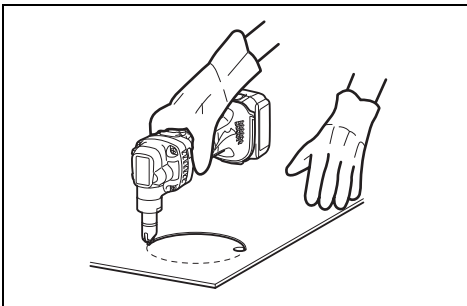
**10** 004781



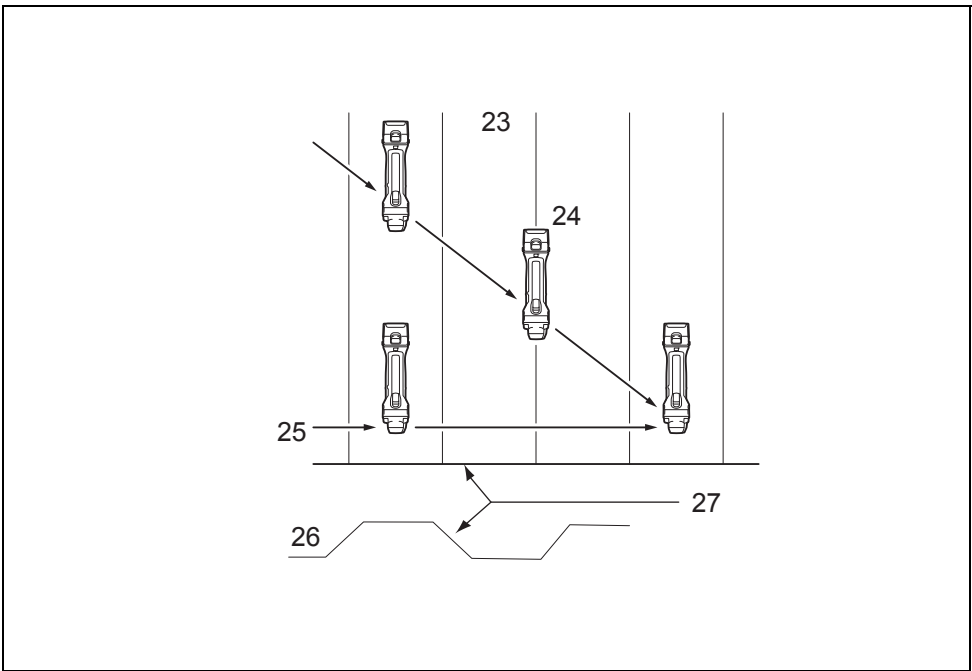
**11** 004782



**12** 013278

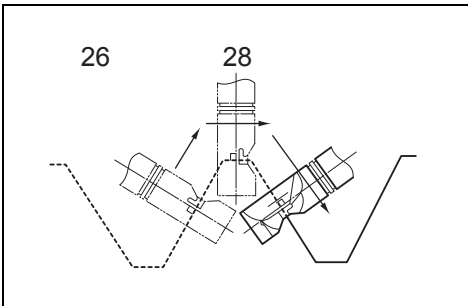


**13** 013279



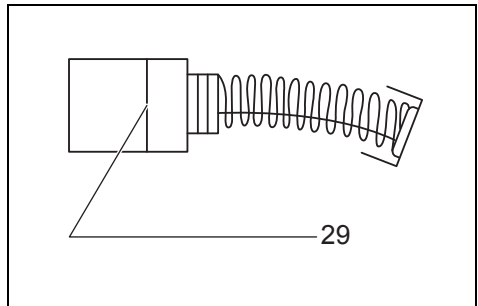
**14**

013280



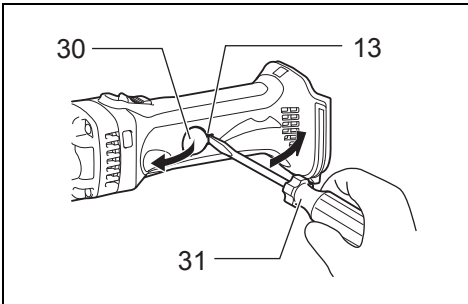
**15**

004791



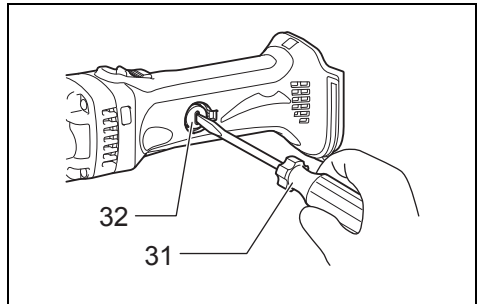
**16**

001145



**17**

013281



**18**

013282

**Explanation of general view**

1 Button	12 Gauge for cutting mild steel: 1.6 mm (1/16")	24 Cutting at an angle to grooves
2 Red indicator	13 Notch	25 Cutting perpendicular to grooves
3 Battery cartridge	14 Slide switch	26 From the side view
4 Star marking	15 Indicating lamp	27 Corrugated or trapezoidal sheet metal
5 Indicator lamps	16 Die	28 Cutting head should be at a right angle (90°) to cutting surface.
6 Check button	17 Bolts	29 Limit mark
7 Die holder	18 Hex wrench	30 Holder cap cover
8 Lock nut	19 Punch	31 Screwdriver
9 Loosen	20 Punch holder	32 Brush holder cap
10 Wrench	21 Screw	
11 Gauge for cutting stainless: 1.2 mm (3/64")	22 Tighten	
	23 From the top view	

**SPECIFICATIONS**

Model		DJN161
Max. cutting capacities	Steel up to 400 N/mm <sup>2</sup>	1.6 mm/16 ga
	Steel up to 600 N/mm <sup>2</sup>	1.2 mm/18 ga
	Aluminum up to 200 N/mm <sup>2</sup>	2.5 mm/12 ga
Min. cutting radius	Outside edge	50 mm
	Inside edge	45 mm
Strokes per minute (min <sup>-1</sup> )		1,900
Overall length		313 mm
Net weight		1.9 – 2.3 kg
Rated voltage		D.C. 18 V

- Due to our continuing program of research and development, the specifications herein are subject to change without notice.
- Specifications may differ from country to country.
- The weight may differ depending on the attachment(s), including the battery cartridge. The lightest and heaviest combination, according to EPTA-Procedure 01/2014, are shown in the table.

**Applicable battery cartridge and charger**

Battery cartridge	BL1815N / BL1820 / BL1820B / BL1830 / BL1830B / BL1840 / BL1840B / BL1850 / BL1850B / BL1860B
Charger	DC18RC / DC18RD / DC18RE / DC18SD / DC18SE / DC18SF

- Some of the battery cartridges and chargers listed above may not be available depending on your region of residence.

**⚠ WARNING: Only use the battery cartridges and chargers listed above.** Use of any other battery cartridges and chargers may cause injury and/or fire.

ENE037-1

GEA010-2

**Intended use**

The tool is intended for cutting sheet steel and stainless sheet steel.

**General Power Tool Safety Warnings**

**⚠ WARNING Read all safety warnings, instructions, illustrations and specifications provided with this power tool.** Failure to follow all instructions listed below may result in electric shock, fire and/or serious injury.

**Save all warnings and instructions for future reference.**

The term "power tool" in the warnings refers to your mains-operated (corded) power tool or battery-operated (cordless) power tool.

## NIBBLER SAFETY WARNINGS

1. Hold the tool firmly.
2. Secure the workpiece firmly.
3. Keep hands away from moving parts.
4. Edges and chips of the workpiece are sharp. Wear gloves. It is also recommended that you put on thickly bottomed shoes to prevent injury.
5. Do not put the tool on the chips of the workpiece. Otherwise it can cause damage and trouble on the tool.
6. Do not leave the tool running. Operate the tool only when hand-held.
7. Always be sure you have a firm footing. Be sure no one is below when using the tool in high locations.
8. Do not touch the punch, die or the workpiece immediately after operation; they may be extremely hot and could burn your skin.
9. Avoid cutting electrical wires. It can cause serious accident by electric shock.

## SAVE THESE INSTRUCTIONS.

### ⚠ WARNING:

DO NOT let comfort or familiarity with product (gained from repeated use) replace strict adherence to safety rules for the subject product. MISUSE or failure to follow the safety rules stated in this instruction manual may cause serious personal injury.

ENC007-12

## IMPORTANT SAFETY INSTRUCTIONS FOR BATTERY CARTRIDGE

1. Before using battery cartridge, read all instructions and cautionary markings on (1) battery charger, (2) battery, and (3) product using battery.
2. Do not disassemble battery cartridge.
3. If operating time has become excessively shorter, stop operating immediately. It may result in a risk of overheating, possible burns and even an explosion.
4. If electrolyte gets into your eyes, rinse them out with clear water and seek medical attention right away. It may result in loss of your eyesight.
5. Do not short the battery cartridge:
  - (1) Do not touch the terminals with any conductive material.
  - (2) Avoid storing battery cartridge in a container with other metal objects such as nails, coins, etc.
  - (3) Do not expose battery cartridge to water or rain.

A battery short can cause a large current flow, overheating, possible burns and even a breakdown.

6. Do not store the tool and battery cartridge in locations where the temperature may reach or exceed 50°C (122°F).
7. Do not incinerate the battery cartridge even if it is severely damaged or is completely worn out. The battery cartridge can explode in a fire.
8. Be careful not to drop or strike battery.
9. Do not use a damaged battery.

## 10. The contained lithium-ion batteries are subject to the Dangerous Goods Legislation requirements.

For commercial transports e.g. by third parties, forwarding agents, special requirement on packaging and labeling must be observed.

For preparation of the item being shipped, consulting an expert for hazardous material is required. Please also observe possibly more detailed national regulations.

Tape or mask off open contacts and pack up the battery in such a manner that it cannot move around in the packaging.

11. Follow your local regulations relating to disposal of battery.
12. Use the batteries only with the products specified by Makita. Installing the batteries to non-compliant products may result in a fire, excessive heat, explosion, or leak of electrolyte.

## SAVE THESE INSTRUCTIONS.

⚠ CAUTION: Only use genuine Makita batteries. Use of non-genuine Makita batteries, or batteries that have been altered, may result in the battery bursting causing fires, personal injury and damage. It will also void the Makita warranty for the Makita tool and charger.

### Tips for maintaining maximum battery life

1. Charge the battery cartridge before completely discharged. Always stop tool operation and charge the battery cartridge when you notice less tool power.
2. Never recharge a fully charged battery cartridge. Overcharging shortens the battery service life.
3. Charge the battery cartridge with room temperature at 10°C - 40°C (50°F - 104°F). Let a hot battery cartridge cool down before charging it.
4. Charge the battery cartridge if you do not use it for a long period (more than six months).

## FUNCTIONAL DESCRIPTION

### ⚠ CAUTION:

- Always be sure that the tool is switched off and the battery cartridge is removed before adjusting or checking function on the tool.

### Installing or removing battery cartridge (Fig. 1)

#### ⚠ CAUTION:

- Always switch off the tool before installing or removing of the battery cartridge.
- Hold the tool and the battery cartridge firmly when installing or removing battery cartridge. Failure to hold the tool and the battery cartridge firmly may cause them to slip off your hands and result in damage to the tool and battery cartridge and a personal injury.

To remove the battery cartridge, slide it from the tool while sliding the button on the front of the cartridge.

To install the battery cartridge, align the tongue on the battery cartridge with the groove in the housing and slip it into place. Insert it all the way until it locks in place with a little click. If you can see the red indicator on the upper side of the button, it is not locked completely.

**⚠ CAUTION:**

- Always install the battery cartridge fully until the red indicator cannot be seen. If not, it may accidentally fall out of the tool, causing injury to you or someone around you.
- Do not install the battery cartridge forcibly. If the cartridge does not slide in easily, it is not being inserted correctly.

**Battery protection system (Fig. 2)**

The tool is equipped with a battery protection system. This system automatically cuts off power to the motor to extend battery life.

The tool will automatically stop during operation if the tool and/or battery are placed under one of the following conditions:

- **Overloaded:**  
The tool is operated in a manner that causes it to draw an abnormally high current.  
In this situation, turn the tool off and stop the application that caused the tool to become overloaded. Then turn the tool on to restart.  
If the tool does not start, the battery is overheated. In this situation, let the battery cool before turning the tool on again.
- **Low battery voltage:**  
The remaining battery capacity is too low and the tool will not operate. In this situation, remove and recharge the battery.











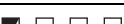







**NOTE:**

- The overheat protection works only with a battery cartridge with a star mark.

**Indicating the remaining battery capacity (Fig. 3)**

**Only for battery cartridges with the indicator**

Press the check button on the battery cartridge to indicate the remaining battery capacity. The indicator lamps light up for few seconds.

Indicator lamps			Remaining Capacity
 Lighted	 Off	 Blinking	
			75% to 100%
			50% to 75%
			25% to 50%
			0% to 25%
			Charge the battery.
			The battery may have malfunctioned.
			

015658

**NOTE:**

- Depending on the conditions of use and the ambient temperature, the indication may differ slightly from the actual capacity.

**Changing the die position (Fig. 4)**

The die holder position can be changed 360°. To change it, proceed as follows.

1. Loosen the lock nut with the wrench provided.
2. Pull the die holder slightly and turn it to the desired position for operation.
3. Tighten the lock nut to secure the die holder in the desired position.

There are four positive stops at 90° each: 0°, 90° left and right and 180°. To position the die to any of these positive stops:

4. Loosen the lock nut with the wrench provided.
5. Pull the die holder slightly and depress lightly while turning it to the desired position. The die holder will lock into one of the positive stop positions as desired.
6. Turn the die holder slightly to make sure that it is positively locked into position.
7. Tighten the lock nut to secure the die holder.

**Permissible cutting thickness (Fig. 5)**

The thickness of material to be cut depends upon the tensile strength of the material itself. The groove on the die holder acts as a thickness gauge for allowable cutting thickness. Do not attempt to cut any material which will not fit into this groove.

**Cutting line**

The notch in the die holder indicates your cutting line. Its width is equal to the cutting width. Align the notch to the cutting line on the workpiece when cutting.

**Switch action (Fig. 6)**

**⚠ CAUTION:**

- Before inserting the battery cartridge into the tool, always check to see that the slide switch actuates properly and returns to the "OFF" position when the rear of the slide switch is depressed.
- Switch can be locked in "ON" position for ease of operator comfort during extended use. Apply caution when locking tool in "ON" position and maintain firm grasp on tool.

To start the tool, slide the slide switch toward the "I (ON)" position. For continuous operation, press the front of the slide switch to lock it.

To stop the tool, press the rear of the slide switch, then slide it toward the "O (OFF)" position.

**Indication lamp with multi function (Fig. 7)**

Indication lamps are located in two positions.

**- Battery cartridge replacing signal**

- When the battery power is almost used up during operation, the red lamp lights up and the tool stops immediately. Replace the battery with fully charged one when the red lamp lights up.

**- Accidental re-start preventive function**

- Even if the battery cartridge is inserted on the tool with the slide switch in the "I (ON)" position, the tool does not start. At this time, the lamp flickers slowly and this shows that the accidental re-start preventive function is at work.
- To start the tool, first slide the slide switch toward the "O (OFF)" position and then slide it toward the "I (ON)" position.

## ASSEMBLY

### CAUTION:

- Always be sure that the tool is switched off and the battery cartridge is removed before carrying out any work on the tool.

### Removing or installing the punch and die (Fig. 8, 9, 10 & 11)

Always replace the punch and die as a set. To remove the punch and die, loosen the lock nut with the wrench. Remove the die holder from the tool. Use the hex wrench to loosen the bolts which secure the die. Remove the die from the die holder.

Use the hex wrench to loosen the screw which secures the punch. Pull the punch out of the punch holder.

To install the punch and die, insert the punch into the punch holder so that the notch in the punch faces toward the screw. Tighten the screw to secure the punch. Install the die on the die holder. Tighten the bolts to secure the die.

Then install the die holder on the tool so that the punch is inserted through the hole in the die holder. Tighten the lock nut to secure the die holder. After replacing the punch and die, lubricate them with machine oil and run the tool for a while.

## OPERATION

### Pre-lubrication

Coat the cutting line with machine oil to increase the punch and die service life. This is particularly important when cutting aluminum.

### Cutting method (Fig. 12)

Hold the tool so that the cutting head is at a right angle (90°) to the workpiece being cut. Move the tool gently in the cutting direction.

### Cutouts (Fig. 13)

Cutouts can be done by first opening a round hole over 21 mm in diameter which the cutting head can be inserted into.

### Cutting the corrugated or trapezoidal sheet metals (Fig. 14 & 15)

Set the die position so that the die faces the cutting direction either when cutting at an angle or perpendicular go grooves in corrugated or trapezoidal sheet metals.

Always hold the tool body parallel to the grooves with the cutting head at a right angle (90°) to the cutting surface as shown in the figure.

## MAINTENANCE

### CAUTION:

- Always be sure that the tool is switched off and the battery cartridge is removed before attempting to perform inspection or maintenance.
- Never use gasoline, benzine, thinner, alcohol or the like. Discoloration, deformation or cracks may result.

### Replacing carbon brushes (Fig. 16, 17 & 18)

Remove and check the carbon brushes regularly. Replace when they wear down to the limit mark. Keep the carbon brushes clean and free to slip in the holders. Both carbon brushes should be replaced at the same time. Use only identical carbon brushes.

Insert the top end of slotted bit screwdriver into the notch in the tool and remove the holder cap cover by lifting it up.

Use a screwdriver to remove the brush holder caps. Take out the worn carbon brushes, insert the new ones and secure the brush holder caps.

Reinstall the holder cap cover on the tool.

To maintain product SAFETY and RELIABILITY, repairs, any other maintenance or adjustment should be performed by Makita Authorized Service Centers, always using Makita replacement parts.

## OPTIONAL ACCESSORIES

### CAUTION:

- These accessories or attachments are recommended for use with your Makita tool specified in this manual. The use of any other accessories or attachments might present a risk of injury to persons. Only use accessory or attachment for its stated purpose.

If you need any assistance for more details regarding these accessories, ask your local Makita Service Center.

- Die
- Punch
- Hex wrench
- Wrench 32
- Makita genuine battery and charger

### NOTE:

- Some items in the list may be included in the tool package as standard accessories. They may differ from country to country.

ENG905-1

### Noise

The typical A-weighted noise level determined according to EN62841-2-8:

Sound pressure level ( $L_{pA}$ ): 93 dB(A)

Sound power level ( $L_{WA}$ ): 104 dB(A)

Uncertainty (K): 3 dB(A)

ENG907-1

### NOTE:

- The declared noise emission value(s) has been measured in accordance with a standard test method and may be used for comparing one tool with another.
- The declared noise emission value(s) may also be used in a preliminary assessment of exposure.

### WARNING:

- **Wear ear protection.**
- **The noise emission during actual use of the power tool can differ from the declared value(s) depending on the ways in which the tool is used especially what kind of workpiece is processed.**
- **Be sure to identify safety measures to protect the operator that are based on an estimation of exposure in the actual conditions of use (taking account of all parts of the operating cycle such as the times when the tool is switched off and when it is running idle in addition to the trigger time).**



**Vibration**

The vibration total value (tri-axial vector sum) determined according to EN62841-2-8:

Work mode: cutting sheet metal

Vibration emission ( $a_{h1}$ ): 6.5 m/s<sup>2</sup>

Uncertainty (K): 1.5 m/s<sup>2</sup>

ENG901-2

**NOTE:**

- The declared vibration total value(s) has been measured in accordance with a standard test method and may be used for comparing one tool with another.
- The declared vibration total value(s) may also be used in a preliminary assessment of exposure.

** WARNING:**

- **The vibration emission during actual use of the power tool can differ from the declared value(s) depending on the ways in which the tool is used especially what kind of workpiece is processed.**
- **Be sure to identify safety measures to protect the operator that are based on an estimation of exposure in the actual conditions of use (taking account of all parts of the operating cycle such as the times when the tool is switched off and when it is running idle in addition to the trigger time).**

**EC DECLARATION OF CONFORMITY****For European countries only**

The EC declaration of conformity is included as Annex A to this instruction manual.

**Descriptif**

1 Bouton	13 Encoche	26 Vue du côté
2 Indicateur rouge	14 Interrupteur à glissière	27 Feuille de métal ondulée ou trapézoïdale
3 Batterie	15 Témoin indicateur	28 La tête de coupe doit être à angle droit (90°) par rapport à la surface de coupe.
4 Marque étoilée	16 Matrice	29 Repère d'usure
5 Voyants lumineux	17 Boulons	30 Couvreclé-capuchon de porte-balais
6 Bouton de vérification	18 Clé hexagonale	31 Tournevis
7 Porte-matrice	19 Poinçon	32 Bouchon du porte-charbon
8 Contre-écrou	20 Porte-poinçon	
9 Desserrer	21 Vis	
10 Clé	22 Serrer	
11 Jauge pour couper l'acier inoxydable : 1,2 mm (3/64")	23 Vue du dessus	
12 Jauge pour couper l'acier doux : 1,6 mm (1/16")	24 Coupe angulaire aux rainures	
	25 Coupe perpendiculaire aux rainures	

**SPÉCIFICATIONS**

Modèle		DJN161
Capacités max. de coupe	Acier jusqu'à 400 N/mm <sup>2</sup>	1,6 mm/16 ga
	Acier jusqu'à 600 N/mm <sup>2</sup>	1,2 mm/18 ga
	Aluminium jusqu'à 200 N/mm <sup>2</sup>	2,5 mm/12 ga
Rayon min. de coupe	Bord extérieur	50 mm
	Bord intérieur	45 mm
Nombre de courses par minute (min <sup>-1</sup> )		1 900
Longueur totale		313 mm
Poids net		1,9 – 2,3 kg
Tension nominale		18 V CC

- Étant donné l'évolution constante de notre programme de recherche et développement, les spécifications contenues dans ce manuel sont sujettes à modification sans préavis.
- Les spécifications peuvent varier suivant les pays.
- Le poids peut être différent selon les accessoires, notamment la batterie. Les associations la plus légère et la plus lourde, conformément à la procédure EPTA-01/2014, sont indiquées dans le tableau.

**Batterie et chargeur applicables**

Batterie	BL1815N / BL1820 / BL1820B / BL1830 / BL1830B / BL1840 / BL1840B / BL1850 / BL1850B / BL1860B
Chargeur	DC18RC / DC18RD / DC18RE / DC18SD / DC18SE / DC18SF

- Certains chargeurs et batteries répertoriés ci-dessus peuvent ne pas être disponibles selon la région où vous résidez.

**⚠ AVERTISSEMENT : Utilisez uniquement les batteries et chargeurs répertoriés ci-dessus.** L'utilisation de tout autre type de batterie et chargeur peut provoquer des blessures et/ou un incendie.

**Utilisations**

L'outil est conçu pour la coupe de la tôle et de la tôle inoxydable.

ENE037-1

**Conservez toutes les mises en garde et instructions pour référence ultérieure.**

Le terme "outil électrique" dans les avertissements fait référence à l'outil électrique alimenté par le secteur (avec cordon d'alimentation) ou à l'outil électrique fonctionnant sur batterie (sans cordon d'alimentation).

GEA010-2

**Consignes de sécurité générales pour outils électriques**

**⚠ AVERTISSEMENT** Veuillez lire les consignes de sécurité, instructions, illustrations et spécifications qui accompagnent cet outil électrique. Le non-respect de toutes les instructions indiquées ci-dessous peut entraîner une électrocution, un incendie et/ou de graves blessures.

GE028-2

**CONSIGNES DE SÉCURITÉ POUR GRIGNOTEUSE**

1. Saisissez l'outil fermement.
2. Fixez la pièce à travailler solidement.

3. Maintenez les mains à l'écart des pièces en mouvement.
4. Les bords et les copeaux de la pièce à travailler sont coupants. Portez des gants. Il est également recommandé de porter des chaussures à semelle épaisse pour prévenir les blessures.
5. Ne déposez pas l'outil sur les copeaux de la pièce à travailler. Sinon, l'outil risque d'être endommagé.
6. Ne laissez pas l'outil fonctionner tout seul. Ne le faites fonctionner que lorsque vous l'avez en mains.
7. Assurez-vous d'avoir les pieds en position bien stable.  
Assurez-vous que personne ne se trouve sous vous lorsque vous utilisez l'outil dans un endroit élevé.
8. Ne touchez pas le poinçon, la matrice ou la pièce à travailler immédiatement après l'utilisation de l'outil ; ils peuvent être extrêmement chauds et vous brûler la peau.
9. Prenez garde de couper des fils électriques. Il peut en résulter un grave accident par choc électrique.
6. Ne rangez pas l'outil et la batterie dans un endroit où la température risque d'atteindre ou de dépasser 50 °C.
7. Ne jetez pas la batterie au feu même si elle est sérieusement endommagée ou complètement épuisée. La batterie peut exploser au contact du feu.
8. Évitez de laisser tomber ou de cogner la batterie.
9. N'utilisez pas la batterie si elle est endommagée.
10. Les batteries au lithium-ion contenues sont soumises aux exigences de la législation sur les marchandises dangereuses.  
Lors du transport commercial par des tierces parties ou des transitaires par exemple, des exigences spécifiques en matière d'étiquetage et d'emballage doivent être respectées.  
Pour la préparation de l'article expédié, il est nécessaire de consulter un expert en matériau dangereux. Veuillez également respecter les réglementations nationales susceptibles d'être plus détaillées.  
Recouvrez les contacts exposés avec du ruban adhésif ou du ruban de masquage et emballez la batterie de telle sorte qu'elle ne puisse pas bouger dans l'emballage.

## CONSERVEZ CES INSTRUCTIONS.

### ⚠ AVERTISSEMENT :

NE vous laissez PAS tromper (au fil d'une utilisation répétée) par un sentiment d'aisance et de familiarité avec le produit, en négligeant le respect rigoureux des consignes de sécurité qui accompagnent le produit en question. La MAUVAISE UTILISATION de l'outil ou l'ignorance des consignes de sécurité indiquées dans ce manuel d'instructions peut entraîner une blessure grave.

ENC007-12

## CONSIGNES DE SÉCURITÉ IMPORTANTES POUR LA BATTERIE

1. Avant d'utiliser la batterie, lisez toutes les instructions et précautions relatives (1) au chargeur de batterie, (2) à la batterie, et (3) au produit utilisant la batterie.
2. Ne démontez pas la batterie.
3. Cessez immédiatement l'utilisation si le temps de fonctionnement devient excessivement court. Il y a risque de surchauffe, de brûlures, voire d'explosion.
4. Si l'électrolyte pénètre dans vos yeux, rincez-les à l'eau claire et consultez immédiatement un médecin. Il y a risque de perte de la vue.
5. Ne court-circuitez pas la batterie :
  - (1) Ne touchez les bornes avec aucun matériau conducteur.
  - (2) Évitez de ranger la batterie dans un conteneur avec d'autres objets métalliques, par exemple des clous, des pièces de monnaie, etc.
  - (3) N'exposez pas la batterie à l'eau ou à la pluie.

Un court-circuit de la batterie peut provoquer une intensité de courant élevée, une surchauffe, parfois des brûlures et même une panne.

11. Suivez les réglementations locales en matière de mise au rebut des batteries.

12. Utilisez les batteries uniquement avec les produits spécifiés par Makita. L'insertion de batteries dans des produits non conformes peut provoquer un incendie, une chaleur excessive, une explosion ou une fuite de l'électrolyte.

## CONSERVEZ CES INSTRUCTIONS.

⚠ ATTENTION : N'utilisez que des batteries Makita d'origine. L'utilisation de batteries de marque autre que Makita ou de batteries modifiées peut provoquer l'explosion des batteries, ce qui présente un risque d'incendie, de dommages matériels et corporels. Cela annulera également la garantie Makita pour l'outil et le chargeur Makita.

### Conseils pour assurer la durée de vie optimale de la batterie

1. Chargez la batterie avant qu'elle ne soit complètement déchargée. Arrêtez toujours l'outil et rechargez la batterie quand vous remarquez que la puissance de l'outil diminue.
2. Ne rechargez jamais une batterie complètement chargée. La surcharge réduit la durée de service de la batterie.
3. Chargez la batterie à une température ambiante comprise entre 10 °C et 40 °C. Avant de charger une batterie chaude, laissez-la refroidir.
4. Rechargez la batterie si elle est restée inutilisée pendant une période prolongée (plus de six mois).

## DESCRIPTION DU FONCTIONNEMENT

### ⚠ ATTENTION :

- Vérifiez toujours que l'outil est hors tension et que la batterie est retirée avant d'ajuster l'outil ou de vérifier son fonctionnement.

### Pose ou retrait de la batterie (Fig. 1)

#### ⚠ ATTENTION :

- Mettez toujours l'outil hors tension avant de poser ou de retirer la batterie.
- **Lorsque vous posez ou retirez la batterie, tenez fermement l'outil et la batterie.** Si vous ne tenez pas fermement l'outil et la batterie, ils risquent de s'abîmer en vous glissant des mains, et vous courez un risque de blessure corporelle.

Pour retirer la batterie, faites-la glisser hors de l'outil tout en faisant glisser le bouton qui se trouve à l'avant de la batterie.

Pour poser la batterie, alignez sa languette sur la rainure à l'intérieur du carter, et faites-la glisser en place. Insérez-la à fond, jusqu'à ce qu'elle se mette en place avec un léger déclic. Si vous pouvez voir l'indicateur rouge du côté supérieur du bouton, la batterie n'est pas complètement verrouillée.

#### ⚠ ATTENTION :

- Insérez toujours la batterie à fond, jusqu'à ce que l'indicateur rouge ne soit plus visible. Sinon, elle pourrait tomber accidentellement de l'outil, au risque de vous blesser ou de blesser quelqu'un se trouvant près de vous.
- Ne forcez pas pour insérer la batterie. Si elle ne glisse pas facilement, c'est que vous ne l'insérez pas correctement.

### Dispositif de protection de la batterie (Fig. 2)

L'outil est doté d'un dispositif de protection de la batterie. Ce dispositif coupe automatiquement l'alimentation de l'outil pour prolonger la durée de service de la batterie.

Si l'outil ou la batterie se trouve dans l'une ou l'autre des situations suivantes, l'outil cessera automatiquement de fonctionner :

- Surchargé :

L'outil est utilisé de manière telle qu'il consomme un courant anormalement élevé.

Il faut mettre l'outil hors tension et arrêter l'application qui cause la surcharge. Remettez ensuite l'outil sous tension pour redémarrer.

Si l'outil ne démarre pas, cela signifie que la batterie est trop chaude. Il faut alors laisser refroidir la batterie avant de remettre l'outil sous tension.

- Faible tension de la batterie :

La charge restante de la batterie étant trop faible, l'outil ne fonctionne pas. Le cas échéant, retirez la batterie et rechargez-la.

#### NOTE :

- La protection contre la surchauffe ne fonctionne qu'avec une batterie portant une marque en forme d'étoile.

### Affichage de la charge restante de la batterie (Fig. 3)

#### Uniquement pour les batteries avec témoin

Appuyez sur le bouton de vérification situé sur la batterie pour afficher la charge restante de la batterie. Les voyants lumineux s'allument pendant quelques secondes.

Voyants lumineux			Charge restante
allumé	éteint	clignotant	
■	□	◐	75% à 100%
■	■	■	
■	■	□	50% à 75%
■	■	□	25% à 50%
■	□	□	0% à 25%
◐	□	□	Chargez la batterie.
■	■	□	La batterie est probablement défectueuse.
□	□	■	

015658

#### NOTE :

- En fonction des conditions d'utilisation et de la température ambiante, la charge restante affichée peut différer légèrement de la valeur réelle.

### Changement de position de la matrice (Fig. 4)

La position du porte-matrice peut être modifiée de 360°. Pour la modifier, procédez comme suit.

1. Desserrez le contre-écrou à l'aide de la clé fournie.
  2. Tirez légèrement sur le porte-matrice et tournez-le jusqu'à la position souhaitée pour l'exécution du travail.
  3. Serrez le contre-écrou pour fixer le porte-matrice sur la position souhaitée.
- Il y a quatre arrêts fixes, situés à 90° l'un de l'autre : 0°, 90° à gauche et à droite, et 180°. Pour placer la matrice sur un de ces arrêts fixes :
4. Desserrez le contre-écrou à l'aide de la clé fournie.
  5. Tirez légèrement sur le porte-matrice et enfoncez-le légèrement tout en le tournant jusqu'à la position souhaitée. Le porte-matrice se verrouillera sur la position d'arrêt fixe souhaitée.
  6. Tournez légèrement le porte-matrice pour vous assurer qu'il est bien verrouillé en position.
  7. Serrez le contre-écrou pour fixer le porte-matrice.

### Épaisseur de coupe admissible (Fig. 5)

L'épaisseur de matériau à couper dépend de la résistance à la traction du matériau lui-même. La rainure du porte-matrice tient lieu de jauge d'épaisseur pour l'épaisseur de coupe admissible. N'essayez pas de couper un matériau qui n'entre pas dans cette rainure.

### Ligne de coupe

Le cran du porte-matrice vous indique la ligne de coupe. Sa largeur est égale à la largeur de coupe. Alignez le cran sur la ligne de coupe de la pièce à travailler lorsque vous coupez.

## Interrupteur (Fig. 6)

### ⚠ ATTENTION :

- Avant d'insérer la batterie dans l'outil, vérifiez toujours que l'interrupteur à glissière fonctionne correctement et revient sur la position d'arrêt (OFF) lorsque vous enfoncez l'arrière de l'interrupteur à glissière.
- Vous pouvez verrouiller l'interrupteur sur la position de marche (ON) pour plus de confort en cas d'utilisation prolongée. Soyez prudent lorsque vous verrouillez l'outil sur la position de marche (ON), et gardez une prise ferme sur l'outil.

Pour démarrer l'outil, faites glisser l'interrupteur à glissière sur la position "I (ON)". Pour un fonctionnement continu, appuyez sur l'avant de l'interrupteur à glissière pour le verrouiller.

Pour arrêter l'outil, appuyez sur l'arrière de l'interrupteur à glissière, puis faites-le glisser vers la position "O (OFF)".

## Témoin indicateur à fonctions multiples (Fig. 7)

Les témoins indicateurs sont situés en deux positions.

### - Signal de remplacement de la batterie

- Si la batterie s'épuise presque complètement pendant l'exécution du travail, le témoin rouge s'allumera et l'outil s'arrêtera aussitôt. Lorsque le témoin rouge s'allume, remplacez la batterie par une autre complètement chargée.

### - Fonction de prévention du redémarrage accidentel

- L'outil ne démarrera pas même si la batterie y est insérée alors que l'interrupteur à glissière se trouve sur la position "I (ON)". Le témoin clignotera alors lentement pour indiquer que la fonction de prévention du redémarrage accidentelle s'est activée.
- Pour faire démarrer l'outil, glissez d'abord l'interrupteur à glissière vers la position "O (OFF)", puis vers la position "I (ON)".

## ASSEMBLAGE

### ⚠ ATTENTION :

- Assurez-vous toujours que l'outil est hors tension et que sa batterie est retirée avant d'effectuer tout travail dessus.

## Retrait ou pose du poinçon et de la matrice (Fig. 8, 9, 10 et 11)

Remplacez toujours le poinçon et la matrice en même temps. Pour retirer le poinçon et la matrice, desserrez le contre-écrou à l'aide de la clé. Retirez le porte-matrice de l'outil. Utilisez la clé hexagonale pour desserrer les boulons qui retiennent la matrice. Retirez la matrice du porte-matrice.

Utilisez la clé hexagonale pour desserrer la vis qui retient le poinçon. Tirez sur le poinçon pour le retirer du porte-poinçon.

Pour poser le poinçon et la matrice, insérez le poinçon dans le porte-poinçon avec le cran du poinçon orienté vers la vis. Serrez la vis pour fixer le poinçon. Posez la matrice sur le porte-matrice. Serrez les boulons pour fixer la matrice.

Posez ensuite le porte-matrice sur l'outil, de sorte que le poinçon soit inséré dans l'orifice du porte-matrice. Serrez le contre-écrou pour fixer le porte-matrice. Après le remplacement du poinçon et de la matrice, lubrifiez-les avec de l'huile à machine et faites tourner l'outil un moment.

## UTILISATION

### Prélubrification

Recouvrez la ligne de coupe d'huile à machine pour prolonger la durée de service du poinçon et de la matrice. Cela est tout particulièrement important lorsque vous coupez de l'aluminium.

### Méthode de coupe (Fig. 12)

Saisissez l'outil de sorte que la tête de coupe soit à angle droit (90°) par rapport à la pièce à couper. Déplacez l'outil doucement dans le sens de la coupe.

### Découpes (Fig. 13)

Les découpes peuvent être effectuées en perçant d'abord un trou rond de plus de 21 mm de diamètre qui permettra d'insérer la tête de coupe.

### Coupe des feuilles de métal ondulées ou trapézoïdales (Fig. 14 et 15)

Placez la matrice de sorte qu'elle soit face au sens de la coupe lorsque vous coupez sur un angle ou perpendiculairement aux rainures dans des feuilles de métal ondulées ou trapézoïdales.

Maintenez toujours le corps de l'outil parallèle aux rainures et avec la tête de coupe à angle droit (90°) par rapport à la surface de coupe, tel qu'illustré sur la figure.

## ENTRETIEN

### ⚠ ATTENTION :

- Assurez-vous toujours que l'outil est hors tension et la batterie retirée avant d'effectuer tout travail d'inspection ou d'entretien.
- N'utilisez jamais d'essence, benzine, diluant, alcool ou autre produit similaire. Cela risquerait de provoquer la décoloration, la déformation ou la fissuration de l'outil.

### Remplacement des charbons (Fig. 16, 17 et 18)

Retirez et vérifiez régulièrement les charbons. Remplacez-les lorsqu'ils sont usés jusqu'au repère d'usure. Maintenez les charbons propres et en état de glisser aisément dans les porte-charbon. Les deux charbons doivent être remplacés en même temps. N'utilisez que des charbons identiques.

Insérez la pointe d'un tournevis à pointe plate dans le cran de l'outil, et soulevez le couvercle-capuchon de porte-balais pour le retirer.

Retirez les bouchons de porte-charbon à l'aide d'un tournevis. Enlevez les charbons usés, insérez les charbons neufs et revissez solidement les bouchons de porte-charbon.

Remettez en place le couvercle-capuchon de porte-balais sur l'outil.

Pour maintenir la SÉCURITÉ et la FIABILITÉ du produit, les réparations, travaux d'entretien et autres réglages doivent être effectués dans un centre de service Makita agréé, exclusivement avec des pièces de rechange Makita.

### ATTENTION :

- Ces accessoires ou pièces complémentaires sont recommandés pour l'utilisation avec l'outil Makita spécifié dans ce mode d'emploi. L'utilisation de tout autre accessoire ou pièce complémentaire peut comporter un risque de blessure. N'utilisez les accessoires ou pièces qu'aux fins auxquelles ils ont été conçus.

Si vous désirez obtenir plus de détails concernant ces accessoires, veuillez contacter le centre de service après-vente Makita le plus près.

- Matrice
- Poinçon
- Clé hexagonale
- Clé 32
- Batterie et chargeur Makita authentiques

### NOTE :

- Il se peut que certains éléments de la liste soient compris dans l'emballage de l'outil en tant qu'accessoires standard. Ils peuvent varier d'un pays à l'autre.

ENG905-1

### Bruit

Niveau de bruit pondéré A typique, déterminé selon EN62841-2-8 :

- Niveau de pression sonore ( $L_{pA}$ ) : 93 dB(A)
- Niveau de puissance sonore ( $L_{WA}$ ) : 104 dB(A)
- Incertitude (K) : 3 dB(A)

ENG907-1

### NOTE :

- La ou les valeurs d'émission de bruit déclarées ont été mesurées conformément à la méthode de test standard et peuvent être utilisées pour comparer les outils entre eux.
- La ou les valeurs d'émission de bruit déclarées peuvent aussi être utilisées pour l'évaluation préliminaire de l'exposition.

### AVERTISSEMENT :

- **Portez un serre-tête antibruit.**
- **L'émission de bruit lors de l'usage réel de l'outil électrique peut être différente de la ou des valeurs déclarées, suivant la façon dont l'outil est utilisé, particulièrement selon le type de pièce usinée.**
- **Les mesures de sécurité à prendre pour protéger l'utilisateur doivent être basées sur une estimation de l'exposition dans des conditions réelles d'utilisation (en tenant compte de toutes les composantes du cycle d'utilisation, comme par exemple le moment de sa mise hors tension, lorsqu'il tourne à vide et le moment de son déclenchement).**

ENG900-1

### Vibrations

Valeur totale de vibrations (somme de vecteur triaxial) déterminée selon EN62841-2-8 :

- Mode de travail : découpe de tôle
- Émission de vibrations ( $a_{hV}$ ) : 6,5 m/s<sup>2</sup>
- Incertitude (K) : 1,5 m/s<sup>2</sup>

### NOTE :

- La ou les valeurs de vibration totales déclarées ont été mesurées conformément à la méthode de test standard et peuvent être utilisées pour comparer les outils entre eux.
- La ou les valeurs de vibration totales déclarées peuvent aussi être utilisées pour l'évaluation préliminaire de l'exposition.

### AVERTISSEMENT :

- **L'émission de vibrations lors de l'usage réel de l'outil électrique peut être différente de la ou des valeurs déclarées, suivant la façon dont l'outil est utilisé, particulièrement selon le type de pièce usinée.**
- **Les mesures de sécurité à prendre pour protéger l'utilisateur doivent être basées sur une estimation de l'exposition dans des conditions réelles d'utilisation (en tenant compte de toutes les composantes du cycle d'utilisation, comme par exemple le moment de sa mise hors tension, lorsqu'il tourne à vide et le moment de son déclenchement).**

## DÉCLARATION DE CONFORMITÉ CE

### Pour les pays d'Europe uniquement

La déclaration de conformité CE est fournie en Annexe A à ce mode d'emploi.

**Übersicht**

1 Knopf	12 Messnut zum Schneiden von Weichstahl: 1,6 mm (1/16")	24 Schneiden schräg zu den Nuten
2 Rote Anzeige	13 Kerbe	25 Schneiden senkrecht zu den Nuten
3 Akku	14 Schiebeschalter	26 Seitenansicht
4 Sternsymbol	15 Anzeigelampe	27 Wellblech oder Trapezblech
5 Anzeigelampen	16 Matrize	28 Der Schneidkopf muss im rechten Winkel (90°) zur Schnittfläche stehen.
6 Prüftaste	17 Schrauben	29 Verschleißgrenze
7 Matrizenhalter	18 Inbusschlüssel	30 Halterkappenabdeckung
8 Sicherungsmutter	19 Stempel	31 Schraubendreher
9 Lösen	20 Stempelhalter	32 Bürstenhalterkappe
10 Schraubenschlüssel	21 Schraube	
11 Messnut zum Schneiden von Edelstahl: 1,2 mm (3/64")	22 Anziehen	
	23 Draufsicht	

**TECHNISCHE DATEN**

Modell		DJN161
Max. Schnittleistung	Stahl bis zu 400 N/mm <sup>2</sup>	1,6 mm/16 ga
	Stahl bis zu 600 N/mm <sup>2</sup>	1,2 mm/18 ga
	Aluminium bis zu 200 N/mm <sup>2</sup>	2,5 mm/12 ga
Min. Schnittradius	Außenkante	50 mm
	Innenkante	45 mm
Hubzahl pro Minute (min <sup>-1</sup> )		1 900
Gesamtlänge		313 mm
Nettogewicht		1,9 – 2,3 kg
Nennspannung		DC 18 V

- Aufgrund unseres Dauerprogramms der Forschung und Entwicklung unterliegen die hier angegebenen technischen Daten Änderung ohne Vorankündigung.
- Die technischen Daten können von Land zu Land abweichen.
- Das Gewicht kann je nach dem Aufsatz bzw. den Aufsätzen, einschließlich des Akkus, unterschiedlich sein. Die leichteste und die schwerste Kombination nach dem EPTA-Verfahren 01/2014 sind in der Tabelle angegeben.

**Zutreffende Akkus und Ladegeräte**

Akku	BL1815N / BL1820 / BL1820B / BL1830 / BL1830B / BL1840 / BL1840B / BL1850 / BL1850B / BL1860B
Ladegerät	DC18RC / DC18RD / DC18RE / DC18SD / DC18SE / DC18SF

- Einige der oben aufgeführten Akkus und Ladegeräte sind je nach Ihrem Wohngebiet eventuell nicht erhältlich.

**⚠️ WARNUNG: Verwenden Sie nur die oben aufgeführten Akkus und Ladegeräte.** Bei Verwendung anderer Akkus und Ladegeräte besteht Verletzungs- und/oder Brandgefahr.

ENE037-1

**Vorgesehene Verwendung**

Die Maschine ist zum Schneiden von Stahlblech und Edelstahlblech vorgesehen.

GEA010-2

**Bewahren Sie alle Warnungen und Anweisungen für spätere Bezugnahme auf.**

Der Ausdruck „Elektrowerkzeug“ in den Warnhinweisen bezieht sich auf Ihr mit Netzstrom (mit Kabel) oder Akku (ohne Kabel) betriebenes Elektrowerkzeug.

GEB028-2

**Allgemeine Sicherheitswarnungen für Elektrowerkzeuge**

**⚠️ WARNUNG** Lesen Sie alle mit diesem Elektrowerkzeug gelieferten Sicherheitswarnungen, Anweisungen, Abbildungen und technischen Daten durch. Eine Missachtung der unten aufgeführten Anweisungen kann zu einem elektrischen Schlag, Brand und/oder schweren Verletzungen führen.

**SICHERHEITSWARNUNGEN FÜR KNABBER**

1. Halten Sie das Werkzeug mit festem Griff.
2. Sichern Sie das Werkstück einwandfrei.
3. Halten Sie die Hände von rotierenden Teilen fern.

4. Die Kanten und Späne des Werkstücks sind scharf. Tragen Sie Handschuhe. Zur Verhütung von Verletzungen ist es auch empfehlenswert, dick besohlte Schuhe zu tragen.
5. Legen Sie das Werkzeug nicht auf die Späne des Werkstücks. Anderenfalls kann es zu Beschädigung und Funktionsstörungen des Werkzeugs kommen.
6. Lassen Sie das Werkzeug nicht unbeaufsichtigt laufen. Benutzen Sie das Werkzeug nur mit Handhaltung.
7. Achten Sie stets auf sicheren Stand. Vergewissern Sie sich bei Einsatz des Werkzeugs an hochgelegenen Arbeitsplätzen, dass sich keine Personen darunter aufhalten.
8. Vermeiden Sie eine Berührung des Kerbstifts, der Matrize oder des Werkstücks unmittelbar nach der Bearbeitung, weil die Teile noch sehr heiß sind und Hautverbrennungen verursachen können.
9. Vermeiden Sie das Durchtrennen von elektrischen Kabeln. Dies kann zu schweren Unfällen durch elektrischen Schlag führen.
6. Lagern Sie das Werkzeug und den Akku nicht an Orten, an denen die Temperatur 50 °C erreichen oder überschreiten kann.
7. Versuchen Sie niemals, den Akku zu verbrennen, selbst wenn er stark beschädigt oder vollkommen verbraucht ist. Der Akku kann im Feuer explodieren.
8. Achten Sie darauf, dass der Akku nicht fallen gelassen oder Stößen ausgesetzt wird.
9. Benutzen Sie keine beschädigten Akkus.
10. Die enthaltenen Lithium-Ionen-Akkus unterliegen den Anforderungen der Gefahrgut-Gesetzgebung.  
Für kommerzielle Transporte, z. B. durch Dritte oder Spediteure, müssen besondere Anforderungen zu Verpackung und Etikettierung beachtet werden.  
Zur Vorbereitung des zu transportierenden Artikels ist eine Beratung durch einen Experten für Gefahrgut erforderlich. Bitte beachten Sie möglicherweise ausführlichere nationale Vorschriften.  
Überleben oder verdecken Sie offene Kontakte, und verpacken Sie den Akku so, dass er sich in der Verpackung nicht umher bewegen kann.

## BEWAHREN SIE DIESE HINWEISE SORGFÄLTIG AUF.

### ⚠ WARNUNG:

Lassen Sie sich NICHT durch Bequemlichkeit oder Vertrautheit mit dem Produkt (durch wiederholten Gebrauch erworben) von der strikten Einhaltung der Sicherheitsregeln für das vorliegende Produkt abhalten. MISSBRAUCH oder Missachtung der Sicherheitsvorschriften in dieser Anleitung können schwere Verletzungen verursachen.

ENC007-12

## WICHTIGE SICHERHEITSANWEISUNGEN FÜR AKKU

1. Lesen Sie vor der Benutzung des Akkus alle Anweisungen und Warnhinweise, die an (1) Ladegerät, (2) Akku und (3) Akkuwerkzeug angebracht sind.
2. Unterlassen Sie ein Zerlegen des Akkus.
3. Falls die Betriebszeit beträchtlich kürzer geworden ist, stellen Sie den Betrieb sofort ein. Anderenfalls besteht die Gefahr von Überhitzung, möglichen Verbrennungen und sogar einer Explosion.
4. Falls Elektrolyt in Ihre Augen gelangt, waschen Sie sie mit sauberem Wasser aus, und begeben Sie sich unverzüglich in ärztliche Behandlung. Anderenfalls können Sie Ihre Sehkraft verlieren.
5. Der Akku darf nicht kurzgeschlossen werden:
  - (1) Die Kontakte dürfen nicht mit leitfähigem Material berührt werden.
  - (2) Lagern Sie den Akku nicht in einem Behälter zusammen mit anderen Metallgegenständen, wie z. B. Nägel, Münzen usw.
  - (3) Setzen Sie den Akku weder Wasser noch Regen aus.

Ein Kurzschluss des Akkus verursacht starken Stromfluss, der Überhitzung, mögliche Verbrennungen und einen Defekt zur Folge haben kann.

11. Befolgen Sie die örtlichen Bestimmungen bezüglich der Entsorgung von Akkus.
12. Verwenden Sie die Akkus nur mit den von Makita angegebenen Produkten. Das Einsetzen der Akkus in nicht konforme Produkte kann zu einem Brand, übermäßiger Hitzebildung, einer Explosion oder Auslaufen von Elektrolyt führen.

## DIESE ANWEISUNGEN AUFBEWAHREN.

⚠ VORSICHT: Verwenden Sie nur Original-Makita-Akkus. Die Verwendung von Nicht-Original-Makita-Akkus oder von Akkus, die abgeändert worden sind, kann zum Bersten des Akkus und daraus resultierenden Bränden, Personenschäden und Beschädigung führen. Außerdem wird dadurch die Makita-Garantie für das Makita-Werkzeug und -Ladegerät ungültig.

### Hinweise zur Aufrechterhaltung der maximalen Akku-Nutzungsdauer

1. Laden Sie den Akku, bevor er vollkommen erschöpft ist. Schalten Sie das Werkzeug stets aus, und laden Sie den Akku, wenn Sie ein Nachlassen der Werkzeuleistung feststellen.
2. Unterlassen Sie erneutes Laden eines voll aufgeladenen Akkus. Überladen führt zu einer Verkürzung der Nutzungsdauer des Akkus.
3. Laden Sie den Akku bei Raumtemperatur zwischen 10 - 40 °C. Lassen Sie einen heißen Akku abkühlen, bevor Sie ihn laden.
4. Der Akku muss geladen werden, wenn er lange Zeit (länger als sechs Monate) nicht benutzt wird.



## FUNKTIONSBESCHREIBUNG

### ⚠ VORSICHT:

- Vergewissern Sie sich vor der Durchführung von Einstellungen oder Funktionsprüfungen der Maschine stets, dass die Maschine ausgeschaltet und der Akku abgenommen ist.

### Anbringen und Abnehmen des Akkus (Abb. 1)

#### ⚠ VORSICHT:

- Schalten Sie stets die Maschine aus, bevor Sie den Akku anbringen oder abnehmen.
- Halten Sie Maschine und Akku beim Anbringen oder Abnehmen des Akkus sicher fest.** Wenn Sie Maschine und Akku nicht sicher festhalten, können sie Ihnen aus der Hand rutschen, was zu einer Beschädigung der Maschine und des Akkus und zu Körperverletzungen führen kann.

Ziehen Sie den Akku zum Abnehmen von der Maschine ab, während Sie den Knopf an der Vorderseite des Akkus verschieben.

Richten Sie zum Anbringen des Akkus dessen Führungsfeder auf die Nut im Gehäuse aus, und schieben Sie den Akku hinein. Schieben Sie ihn vollständig ein, bis er mit einem hörbaren Klicken einrastet. Falls die rote Anzeige an der Oberseite des Knopfes sichtbar ist, ist der Akku-Adapter nicht vollständig verriegelt.

#### ⚠ VORSICHT:

- Schieben Sie den Akku stets bis zum Anschlag ein, bis die rote Anzeige nicht mehr sichtbar ist. Anderenfalls kann er aus der Maschine herausfallen und Sie oder umstehende Personen verletzen.
- Unterlassen Sie Gewaltanwendung beim Anbringen des Akkus. Falls der Akku nicht reibungslos hineingleitet, ist er nicht richtig ausgerichtet.

### Akku-Schutzsystem (Abb. 2)

Die Maschine ist mit einem Akku-Schutzsystem ausgestattet. Dieses System schaltet die Stromversorgung des Motors automatisch ab, um die Akku-Lebensdauer zu verlängern.

Die Maschine schaltet sich während des Betriebs automatisch ab, wenn Maschine und/oder Akku einer der folgenden Bedingungen unterliegen:

- Überlastung:**  
Die Maschine wird auf eine Weise benutzt, die eine ungewöhnlich hohe Stromaufnahme bewirkt. Schalten Sie in dieser Situation die Maschine aus, und brechen Sie die Anwendung ab, die eine Überlastung der Maschine verursacht hat. Schalten Sie dann die Maschine wieder ein, um sie neu zu starten. Falls die Maschine nicht startet, ist der Akku überhitzt. Lassen Sie den Akku in dieser Situation abkühlen, bevor Sie die Maschine wieder einschalten.
- Niedrige Akkuspannung:**  
Die Akku-Restkapazität ist zu niedrig, und die Maschine funktioniert nicht. Nehmen Sie in dieser Situation den Akku ab, und laden Sie ihn auf.












#### HINWEIS:

- Der Überhitzungsschutz funktioniert nur mit einem Akku mit Sternsymbol.

## Anzeigen der Akku-Restkapazität (Abb. 3)

### Nur für Akkus mit Anzeige

Drücken Sie die Prüftaste am Akku, um die Akku-Restkapazität anzuzeigen. Die Anzeigelampen leuchten wenige Sekunden lang auf.

Anzeigelampen			Restkapazität
			
			75% bis 100%
			50% bis 75%
			25% bis 50%
			0% bis 25%
			Den Akku aufladen.
			Möglicherweise liegt eine Funktionsstörung im Akku vor.

015658

#### HINWEIS:

- Abhängig von den Benutzungsbedingungen und der Umgebungstemperatur kann die Anzeige geringfügig von der tatsächlichen Kapazität abweichen.

### Ändern der Matrizenposition (Abb. 4)

Die Matrizenhalterposition kann innerhalb von 360° geändert werden. Gehen Sie dazu folgendermaßen vor.

- Die Sicherungsmutter mit dem mitgelieferten Schraubenschlüssel lösen.
- Den Matrizenhalter leicht ziehen und auf die gewünschte Arbeitsposition drehen.
- Die Sicherungsmutter anziehen, um den Matrizenhalter in der gewünschten Position zu arretieren.

Vier um jeweils 90° versetzte Rastpositionen sind vorhanden: 0°, 90° links und rechts sowie 180°. Um die Matrize auf eine dieser Rastpositionen zu stellen:

- Die Sicherungsmutter mit dem mitgelieferten Schraubenschlüssel lösen.
- Den Matrizenhalter leicht ziehen, und dann leicht drücken, während er auf die gewünschte Position gedreht wird. Der Matrizenhalter rastet wunschgemäß in eine der Rastpositionen ein.
- Den Matrizenhalter geringfügig drehen, um sicherzugehen, dass er einwandfrei eingerastet ist.
- Die Sicherungsmutter anziehen, um den Matrizenhalter zu arretieren.

### Zulässige Schnittdicke (Abb. 5)

Die Dicke des zu schneidenden Materials hängt von der Zugfestigkeit des Materials selbst ab. Die Nut am Matrizenhalter dient als Dickenlehre für die zulässige Schnittdicke. Versuchen Sie nicht, Material zu schneiden, das nicht in diese Nut passt.

## Schnittlinie

Die Kerbe im Matrizenhalter kennzeichnet Ihre Schnittlinie. Ihre Breite entspricht der Schnittbreite. Die Kerbe beim Schneiden auf die Schnittlinie am Werkstück ausrichten.

## Schalterfunktion (Abb. 6)

### ⚠ VORSICHT:

- Vergewissern Sie sich vor dem Einsetzen des Akkus in die Maschine stets, dass der Schiebeschalter ordnungsgemäß funktioniert und beim Drücken der Rückseite in die „AUS“ Stellung zurückkehrt.
- Der Schalter kann zur Arbeitserleichterung bei längerem Einsatz in der „EIN“ Stellung verriegelt werden. Lassen Sie Vorsicht walten, wenn Sie den Schalter in der „EIN“ Stellung verriegeln, und halten Sie die Maschine mit festem Griff.

Zum Einschalten der Maschine den Schiebeschalter auf die Position „I (EIN)“ schieben. Für Dauerbetrieb rasten Sie den Schalter durch Drücken seiner Vorderseite ein. Zum Ausschalten des Werkzeugs die Rückseite des Schiebeschalters drücken, und dann den Schalter auf die Stellung „O (AUS)“ schieben.

## Anzeigelampe mit Multifunktion (Abb. 7)

Anzeigelampen befinden sich an zwei Positionen.

### - Akku-Austauschsignal

- Wenn der Akku während des Betriebs nahezu erschöpft ist, leuchtet die rote Lampe auf, und die Maschine bleibt sofort stehen. Tauschen Sie den Akku gegen einen voll aufgeladenen aus, wenn die rote Lampe aufleuchtet.

### - Neustart-Verhütungsfunktion

- Selbst wenn der Akku in die Maschine eingesetzt wird, während der Schiebeschalter auf der Position „I (EIN)“ steht, läuft die Maschine nicht an. In diesem Fall blinkt die Lampe langsam, wodurch angezeigt wird, dass die Neustart-Verhütungsfunktion aktiv ist.
- Um die Maschine zu starten, schieben Sie den Schiebeschalter zuerst auf die Position „O (AUS)“, und dann auf die Position „I (EIN)“.

## MONTAGE

### ⚠ VORSICHT:

- Vergewissern Sie sich vor der Ausführung von Arbeiten an der Maschine stets, dass die Maschine ausgeschaltet und der Akku abgenommen ist.

## Abnehmen oder Anbringen von Stempel und Matrize (Abb. 8, 9, 10 u. 11)

Stempel und Matrize sind stets als Satz auszutauschen. Zum Entfernen von Stempel und Matrize die Sicherungsmutter mit dem Schraubenschlüssel lösen. Den Matrizenhalter von der Maschine abnehmen. Die Befestigungsschrauben der Matrize mit dem Inbusschlüssel lösen. Die Matrize vom Matrizenhalter abnehmen.

Die Befestigungsschraube des Stempels mit dem Inbusschlüssel lösen. Den Stempel aus dem Stempelhalter herausziehen.

Um Stempel und Matrize anzubringen, den Stempel in den Stempelhalter einführen, so dass die Kerbe im Stempel zur Schraube zeigt. Die Schraube zum Sichern des Stempels anziehen. Die Matrize am Matrizenhalter anbringen. Die Schrauben zum Sichern der Matrize anziehen.

Dann den Matrizenhalter an der Maschine anbringen, so dass der Stempel durch die Öffnung im Matrizenhalter eingeführt wird. Die Sicherungsmutter anziehen, um den Matrizenhalter zu arretieren. Nach dem Austauschen von Stempel und Matrize die Teile mit Maschinenöl schmieren, und die Maschine eine Zeitlang laufen lassen.

## BETRIEB

### Vorschmierung

Tragen Sie Maschinenöl auf die Schnittlinie auf, um die Standzeit von Stempel und Matrize zu verlängern. Dies ist besonders wichtig beim Schneiden von Aluminium.

### Schneidmethode (Abb. 12)

Halten Sie die Maschine so, dass sich der Schneidkopf im rechten Winkel (90°) zu dem zu schneidenden Werkstück befindet. Schieben Sie die Maschine sachte in Schneidrichtung vor.

### Ausschnitte (Abb. 13)

Ausschnitte können durchgeführt werden, indem zuerst ein Rundloch von über 21 mm Durchmesser geöffnet wird, in das der Schneidkopf eingeführt werden kann.

## Schneiden von Wellblech und Trapezblech (Abb. 14 u. 15)

Stellen Sie die Matrizenposition so ein, dass die Matrize in Schnittrichtung zeigt, entweder wenn schräg oder senkrecht zu Nuten in Wellblech oder Trapezblech geschnitten wird.

Halten Sie das Maschinengehäuse stets parallel zu den Nuten mit dem Schneidkopf im rechten Winkel (90°) zur Schnittfläche, wie in der Abbildung gezeigt.

## WARTUNG

### ⚠ VORSICHT:

- Vergewissern Sie sich vor der Durchführung von Inspektions- oder Wartungsarbeiten stets, dass die Maschine ausgeschaltet und der Akku abgenommen ist.
- Verwenden Sie auf keinen Fall Benzin, Benzol, Verdüner, Alkohol oder dergleichen. Solche Mittel können Verfärbung, Verformung oder Rissbildung verursachen.

## Auswechseln der Kohlebürsten (Abb. 16, 17 u. 18)

Die Kohlebürsten müssen regelmäßig entfernt und überprüft werden. Wenn sie bis zur Verschleißgrenze abgenutzt sind, müssen sie erneuert werden. Halten Sie die Kohlebürsten stets sauber, damit sie ungehindert in den Haltern gleiten können. Beide Kohlebürsten sollten gleichzeitig erneuert werden. Verwenden Sie nur identische Kohlebürsten.

Führen Sie die Spitze eines Schlitzschraubenziehers in die Kerbe der Maschine ein, und entfernen Sie die Halterkappenabdeckung durch Anheben.

Die Bürstenhalterkappen mit einem Schraubendreher herausdrehen. Die abgenutzten Kohlebürsten herausnehmen, die neuen einsetzen, und dann die Bürstenhalterkappen wieder eindrehen.

Bringen Sie die Halterkappenabdeckung wieder an der Maschine an.

Um die SICHERHEIT und ZUVERLÄSSIGKEIT dieses Produkts zu gewährleisten, sollten Reparaturen und andere Wartungs- oder Einstellarbeiten nur von Makita-Kundendienstzentren unter ausschließlicher Verwendung von Makita-Originalersatzteilen ausgeführt werden.

## SONDERZUBEHÖR

### VORSICHT:

- Die folgenden Zubehörteile oder Vorrichtungen werden für den Einsatz mit der in dieser Anleitung beschriebenen Makita-Maschine empfohlen. Die Verwendung anderer Zubehörteile oder Vorrichtungen kann eine Verletzungsgefahr darstellen. Verwenden Sie Zubehörteile oder Vorrichtungen nur für ihren vorgesehenen Zweck.

Wenn Sie weitere Einzelheiten bezüglich dieser Zubehörteile benötigen, wenden Sie sich bitte an Ihre Makita-Kundendienststelle.

- Matrize
- Stempel
- Inbusschlüssel
- Schraubenschlüssel 32
- Original-Makita-Akku und -Ladegerät

### HINWEIS:

- Manche Teile in der Liste können als Standardzubehör im Werkzeugsatz enthalten sein. Sie können von Land zu Land unterschiedlich sein.

ENG905-1

### Geräusch

Typischer A-bewerteter Geräuschpegel ermittelt gemäß EN62841-2-8:

- Schalldruckpegel ( $L_{pA}$ ): 93 dB(A)
- Schalleistungspegel ( $L_{WA}$ ): 104 dB(A)
- Ungewissheit (K): 3 dB(A)

ENG907-1

### HINWEIS:

- Der (Die) angegebene(n) Schallemissionswert(e) wurde(n) im Einklang mit der Standardprüfmethode gemessen und kann (können) für den Vergleich zwischen Werkzeugen herangezogen werden.
- Der (Die) angegebene(n) Schallemissionswert(e) kann (können) auch für eine Vorbewertung des Gefährdungsgrads verwendet werden.

### WARNUNG:

- **Einen Gehörschutz tragen.**
- **Die Schallemission während der tatsächlichen Benutzung des Elektrowerkzeugs kann je nach der Benutzungsweise des Werkzeugs, und speziell je nach der Art des bearbeiteten Werkstücks, von dem (den) angegebenen Wert(en) abweichen.**
- **Identifizieren Sie Sicherheitsmaßnahmen zum Schutz des Benutzers anhand einer Schätzung des Gefährdungsgrads unter den tatsächlichen Benutzungsbedingungen (unter Berücksichtigung aller Phasen des Arbeitszyklus, wie z. B. Ausschalt- und Leerlaufzeiten des Werkzeugs zusätzlich zur Betriebszeit).**

### Vibration

Vibrationsgesamtwert (Drei-Achsen-Vektorsumme) ermittelt gemäß EN62841-2-8:  
Arbeitsmodus: Schneiden von Blechen  
Vibrationsemission ( $a_{h1}$ ): 6,5 m/s<sup>2</sup>  
Ungewissheit (K): 1,5 m/s<sup>2</sup>

ENG901-2

### HINWEIS:

- Der (Die) angegebene(n) Vibrationsgesamtwert(e) wurde(n) im Einklang mit der Standardprüfmethode gemessen und kann (können) für den Vergleich zwischen Werkzeugen herangezogen werden.
- Der (Die) angegebene(n) Vibrationsgesamtwert(e) kann (können) auch für eine Vorbewertung des Gefährdungsgrads verwendet werden.

### WARNUNG:

- **Die Vibrationsemission während der tatsächlichen Benutzung des Elektrowerkzeugs kann je nach der Benutzungsweise des Werkzeugs, und speziell je nach der Art des bearbeiteten Werkstücks, von dem (den) angegebenen Emissionswert(en) abweichen.**
- **Identifizieren Sie Sicherheitsmaßnahmen zum Schutz des Benutzers anhand einer Schätzung des Gefährdungsgrads unter den tatsächlichen Benutzungsbedingungen (unter Berücksichtigung aller Phasen des Arbeitszyklus, wie z. B. Ausschalt- und Leerlaufzeiten des Werkzeugs zusätzlich zur Betriebszeit).**

## EG-KONFORMITÄTSERKLÄRUNG

### Nur für europäische Länder

Die EG-Konformitätserklärung ist als Anhang A in dieser Bedienungsanleitung enthalten.

**Visione generale**

1 Bottone	12 Spessore di taglio acciaio dolce: 1,6 mm (1/16")	24 Taglio inclinato di scanalature
2 Indicatore rosso	13 Tacca	25 Taglio perpendicolare di scanalature
3 Batteria	14 Interruttore laterale	26 Vista laterale
4 Marchio di stella	15 Spia	27 Lamiera ondulata o trapezoidale
5 Spie	16 Stampo	28 La testa di taglio deve formare un angolo retto (90°) con la superficie da tagliare.
6 Bottone di controllo	17 Bulloni	29 Segno di limite
7 Portastampo	18 Chiave esagonale	30 Tappo portaspazzole
8 Controdado	19 Punzone	31 Cacciavite
9 Per allentare	20 Portapunzone	32 Tappo portaspazzole
10 Chiave	21 Vite	
11 Spessore di taglio acciaio inossidabile: 1,2 mm (3/64")	22 Stringere	
	23 Vista dall'alto	

**DATI TECNICI**

Modello		DJN161
Capacità massime di taglio	Acciaio fino a 400 N/mm <sup>2</sup>	1,6 mm/16 ga
	Acciaio fino a 600 N/mm <sup>2</sup>	1,2 mm/18 ga
	Alluminio fino a 200 N/mm <sup>2</sup>	2,5 mm/12 ga
Raggio minimo di taglio	Bordo esterno	50 mm
	Bordo interno	45 mm
Corse al minuto (min <sup>-1</sup> )		1.900
Lunghezza totale		313 mm
Peso netto		1,9 – 2,3 kg
Tensione nominale		C.c. 18 V

- Per il nostro continuo programma di ricerca e sviluppo, i presenti dati tecnici sono soggetti a cambiamenti senza avviso.
- I dati tecnici potrebbero differire da paese a paese.
- Il peso può variare a seconda dell'accessorio o degli accessori, inclusa la cartuccia della batteria. La combinazione più leggera e quella più pesante, in base alla Procedura EPTA 01/2014, sono indicate nella tabella.

**Cartuccia batteria e caricatore applicabili**

Cartuccia batteria	BL1815N / BL1820 / BL1820B / BL1830 / BL1830B / BL1840 / BL1840B / BL1850 / BL1850B / BL1860B
Caricatore	DC18RC / DC18RD / DC18RE / DC18SD / DC18SE / DC18SF

- Alcune delle cartucce batterie e dei caricatori elencati sopra potrebbero non essere disponibili, a seconda della propria area geografica di residenza.

**⚠ AVVERTIMENTO: utilizzare solo le cartucce batterie e i caricatori elencati sopra.** L'utilizzo di cartucce batterie e caricatori diversi potrebbe causare lesioni personali e/o incendi.

ENE037-1

**Conservare tutte le avvertenze e le istruzioni come riferimento futuro.**

**Utilizzo previsto**

Questo utensile è progettato per il taglio delle lamiere di acciaio e delle lamiere di acciaio inossidabile.

GEA010-2

Il termine "utensile elettrico" nelle avvertenze si riferisce sia all'utensile elettrico (cablato) nel funzionamento alimentato da rete elettrica che all'utensile elettrico (a batteria) nel funzionamento alimentato a batteria.

**Avvertenze generali relative alla sicurezza dell'utensile elettrico**

**⚠ AVVERTIMENTO Leggere tutte le avvertenze di sicurezza, le istruzioni, le illustrazioni e i dati tecnici forniti con il presente utensile elettrico.** La mancata osservanza di tutte le istruzioni elencate di seguito potrebbe risultare in scosse elettriche, incendi e/o gravi lesioni personali.

**AVVERTIMENTI DI SICUREZZA PER LA RODITRICE**

1. **Tenere saldamente l'utensile.**
2. **Fissare saldamente il pezzo.**
3. **Tenere le mani lontane dalle parti mobili.**

GEB028-2

4. Gli spigoli e i trucioli del pezzo sono aguzzi. Indossare i guanti. Per evitare lesioni, si raccomanda anche di calzare scarpe con suola spessa.
5. Non posare l'utensile sui trucioli del pezzo. Ciò potrebbe causare danni o problemi dell'utensile.
6. Non posare l'utensile lasciandolo girare. Farlo funzionare soltanto tenendolo in mano.
7. Avere sempre i piedi appoggiati saldamente. Accertarsi che non ci sia nessuno sotto usando l'utensile in un luogo alto.
8. Non toccare il punzone, la matrice o il pezzo immediatamente dopo una operazione. Essi potrebbero essere estremamente caldi e bruciare la pelle.
9. Evitare di tagliare fili elettrici. C'è grave pericolo di scosse elettriche.
8. Fare attenzione a non far cadere e a non colpire la batteria.
9. Non utilizzare una batteria danneggiata.
10. Le batterie a ioni di litio contenute sono soggette ai requisiti del regolamento sul trasporto di merci pericolose (Dangerous Goods Legislation).  
Per trasporti commerciali, ad esempio da parte di terzi o spedizionieri, è necessario osservare dei requisiti speciali sull'imballaggio e sull'etichetta. Per la preparazione dell'articolo da spedire, è richiesta la consulenza di un esperto in materiali pericolosi. Attenersi anche alle normative nazionali, che potrebbero essere più dettagliate.  
Nastrare o coprire i contatti aperti e imballare la batteria in modo tale che non si possa muovere liberamente all'interno dell'imballaggio.

## CONSERVARE QUESTE ISTRUZIONI.

### ⚠ AVVERTIMENTO:

NON lasciare che la comodità d'utilizzo o la familiarità con il prodotto (acquisita con l'uso ripetuto) sostituisca la stretta osservanza delle norme per la sua sicurezza. L'utilizzo SBAGLIATO o la mancata osservanza delle norme di sicurezza di questo manuale di istruzioni potrebbero causare lesioni serie.

ENC007-12

## ISTRUZIONI DI SICUREZZA IMPORTANTI PER LA CARTUCCIA DELLA BATTERIA

1. Prima di utilizzare la cartuccia della batteria, leggere tutte le istruzioni e le avvertenze riportate (1) sul caricabatteria, (2) sulla batteria e (3) sul prodotto che utilizza la batteria.
2. Non smontare la cartuccia della batteria.
3. Qualora il tempo di utilizzo si riduca eccessivamente, interrompere immediatamente l'utilizzo dell'utensile. In caso contrario, si può incorrere nel rischio di surriscaldamento, possibili ustioni e persino un'esplosione.
4. Qualora l'elettrolita entri in contatto con gli occhi, sciacquarli con acqua pulita e richiedere immediatamente assistenza medica. Questa eventualità può risultare nella perdita della vista.
5. Non cortocircuitare la cartuccia della batteria:
  - (1) Non toccare i terminali con alcun materiale conduttivo.
  - (2) Evitare di conservare la cartuccia della batteria in un contenitore insieme ad altri oggetti metallici quali chiodi, monete, e così via.
  - (3) Non esporre la cartuccia della batteria all'acqua o alla pioggia.

Un cortocircuito della batteria può causare un grande flusso di corrente, un surriscaldamento, possibili ustioni e persino un guasto.

6. Non conservare l'utensile e la cartuccia della batteria in ubicazioni in cui la temperatura possa raggiungere o superare i 50°C.
7. Non incenerire la cartuccia della batteria anche qualora sia gravemente danneggiata o completamente esaurita. La cartuccia della batteria può esplodere se a contatto con il fuoco.

11. Attenersi alle normative locali relative allo smaltimento della batteria.
12. Utilizzare le batterie esclusivamente in prodotti specificati da Makita. L'installazione delle batterie in prodotti non compatibili potrebbe risultare in incendi, calore eccessivo, esplosioni o perdite di liquido elettrolitico.

## CONSERVARE LE PRESENTI ISTRUZIONI.

⚠ ATTENZIONE: Utilizzare solo batterie originali Makita. L'utilizzo di batterie Makita non originali, o di batterie che siano state alterate, potrebbe risultare nello scoppio della batteria, causando incendi, lesioni personali e danni. Inoltre, ciò potrebbe invalidare la garanzia Makita per l'utensile e il caricabatterie Makita.

### Suggerimenti per preservare la durata massima della batteria

1. Caricare la cartuccia della batteria prima che si scarichi completamente. Smettere sempre di utilizzare l'utensile e caricare la cartuccia della batteria quando si nota che la potenza dell'utensile è diminuita.
2. Non ricaricare mai una cartuccia della batteria completamente carica. La sovraccarica riduce la vita utile della batteria.
3. Caricare la cartuccia della batteria a una temperatura ambiente compresa tra 10°C e 40°C. Lasciar raffreddare una cartuccia della batteria prima di caricarla.
4. Caricare la cartuccia della batteria se non la si è utilizzata per un periodo di tempo prolungato (più di sei mesi).

## DESCRIZIONE FUNZIONALE

### ⚠ ATTENZIONE:

- Accertarsi sempre che l'utensile sia spento e di aver rimosso la cartuccia batteria prima di regolarlo o di controllare il suo funzionamento.

### Installazione o rimozione della batteria (Fig. 1)

#### ⚠ ATTENZIONE:

- Spegnere sempre l'utensile prima di installare o di rimuovere la batteria.
- **Tenere saldamente l'utensile e la batteria quando si installa o si rimuove la batteria.** Se non si tengono saldamente l'utensile e la cartuccia batteria, potrebbero sfuggire di mano danneggiandosi e causare un incidente.

Per rimuovere la batteria, toglierla dall'utensile spingendo allo stesso tempo il bottone sulla parte anteriore della batteria.

Per installare la batteria, allineare l'appendice della batteria sulla scanalatura dell'alloggiamento e spingerla in posizione. Inserirla completamente finché si blocca in posizione con uno piccolo scatto. Se si vede l'indicatore rosso sul lato superiore del bottone, vuol dire che la batteria non è bloccata completamente.

#### ⚠ ATTENZIONE:

- Installare sempre completamente la batteria finché l'indicatore rosso non è più visibile. In caso contrario, potrebbe cadere accidentalmente fuori dall'utensile causando un incidente all'operatore o a chi gli è vicino.
- Non installare forzatamente la batteria. Se la batteria non scivola dentro facilmente, vuol dire che non viene inserita correttamente.

### Sistema di protezione della batteria (Fig. 2)

L'utensile è dotato di un sistema di protezione della batteria. Questo sistema interrompe automaticamente la corrente al motore per estendere la vita della batteria.

L'utensile si arresta automaticamente mentre sta funzionando se esso e/o la batteria vengono a trovarsi in una delle condizioni seguenti:

- **Sovraccarico:**  
L'utensile viene usato in un modo che causa un suo assorbimento anormalmente alto di corrente. In tal caso, spegnere l'utensile e arrestare l'applicazione che ha causato il sovraccarico dell'utensile. Riaccendere poi l'utensile per riavviarlo. Se l'utensile non si riavvia, vuol dire che è sovraccarica la batteria. In tal caso, lasciar raffreddare la batteria prima di riaccendere l'utensile.
- **Bassa tensione della batteria:**  
La capacità restante della batteria è troppo bassa e l'utensile non funziona. In tal caso, rimuovere e ricaricare la batteria.

#### NOTA:

- La protezione del sovraccarico si attiva soltanto con una cartuccia batteria che ha il marchio di una stella.

### Indicazione della capacità restante della batteria (Fig. 3)

#### Solo per cartucce delle batterie dotate di indicatore

Premere il bottone di controllo sulla cartuccia batteria per visualizzare la capacità restante della batteria. Le spie si accendono per pochi secondi.

Spie			Capacità restante
Accesa	Spenta	Lampeggiante	
■	□	◻	
■	■	■	dal 75% al 100%
■	■	□	dal 50% al 75%
■	□	□	dal 25% al 50%
■	□	□	dal 0% al 25%
◻	□	□	Caricare la batteria.
■	■	□	Si potrebbe essere verificato un malfunzionamento della batteria.
□	□	■	

015658

#### NOTA:

- A seconda delle condizioni d'utilizzo e della temperatura ambiente, l'indicazione potrebbe differire leggermente dalla capacità reale.

### Cambiamento di posizione stampo (Fig. 4)

La posizione del portastampo può essere cambiata di 360°. Per cambiarla, procedere come segue.

1. Allentare il controdado con la chiave in dotazione.
2. Tirare leggermente il portastampo e girarlo nella posizione desiderata per il lavoro.
3. Stringere il controdado per fissare il portastampo sulla posizione desiderata.

Ci sono quattro posizioni di arresto meccanico di 90° ciascuna: 0°, 90° a sinistra e a destra, e 180°. Per posizionare lo stampo su una di queste posizioni di arresto meccanico:

4. Allentare il controdado con la chiave in dotazione.
5. Tirare leggermente il portastampo e premerlo leggermente girandolo sulla posizione desiderata. Il portastampo si blocca sulla posizione di arresto meccanico desiderata.
6. Girare leggermente il portastampo per accertarsi che sia bloccato saldamente in posizione.
7. Stringere il controdado per fissare il portastampo.

### Spessore di taglio permessibile (Fig. 5)

Lo spessore del materiale da tagliare dipende dal carico di rottura del materiale stesso. La scanalatura sul portastampo serve da calibro di spessore per lo spessore di taglio permessibile. Non si deve cercare di tagliare un materiale che non entra in questa scanalatura.

#### Linea di taglio

La tacca sul portastampo indica la linea di taglio. La sua larghezza è uguale alla larghezza di taglio. Allineare la tacca sulla linea di taglio del pezzo quando si esegue il taglio.

## Funzionamento dell'interruttore (Fig. 6)

### ATTENZIONE:

- Prima di inserire la cartuccia batteria nell'utensile, controllare sempre che l'interruttore scorrevole funzioni correttamente e che torni sulla posizione "OFF" quando si schiaccia la sua parte posteriore.
- L'interruttore può essere bloccato sulla posizione "ON" per la comodità dell'operatore durante l'uso prolungato. Fare attenzione quando si blocca l'utensile sulla posizione "ON", e mantenere una presa salda su di esso.

Per avviare l'utensile, spingere l'interruttore laterale verso la posizione "I (ON)". Per il funzionamento continuo, premere la parte anteriore dell'interruttore scorrevole per bloccarlo.

Per arrestare l'utensile, premere la parte posteriore dell'interruttore scorrevole verso la posizione "O (OFF)".

### Spia multifunzione (Fig. 7)

Le spie si trovano in due posizioni.

#### - Segnale di sostituzione cartuccia batteria

- Se la batteria si scarica quasi completamente durante un lavoro, la spia rossa si accende e l'utensile si arresta immediatamente. Sostituire la batteria con una completamente carica quando la spia rossa si accende.

#### - Funzione di prevenzione del riavviamento accidentale

- Anche se la cartuccia batteria viene inserita nell'utensile con l'interruttore scorrevole sulla posizione "I (ON)", l'utensile non si avvia. La spia lampeggia allora lentamente per indicare che la funzione di prevenzione del riavviamento accidentale è attivata.
- Per avviare l'utensile, spingere prima l'interruttore scorrevole verso la posizione "O (OFF)", e spingerlo poi verso la posizione "I (ON)".

## MONTAGGIO

### ATTENZIONE:

- Accertarsi sempre che l'utensile sia spento e che la batteria sia stata rimossa prima di qualsiasi intervento sull'utensile.

### Rimozione o installazione del punzone e dello stampo (Fig. 8, 9, 10 e 11)

Sostituire sempre insieme il punzone e lo stampo. Per rimuovere il punzone e lo stampo, allentare il controdado con la chiave. Rimuovere il portastampo dall'utensile. Usare la chiave esagonale per allentare i bulloni che fissano lo stampo. Rimuovere lo stampo dal portastampo.

Usare la chiave esagonale per allentare le viti che fissa il punzone. Tirare il punzone fuori dal portastampo.

Per installare il punzone e lo stampo, inserire il punzone nel portapunzone in modo che la tacca del punzone sia rivolta verso la vite. Stringere la vite per fissare il punzone. Installare lo stampo sul portastampo. Stringere i bulloni per fissare lo stampo.

Installare poi il portastampo sull'utensile in modo che il punzone venga inserito attraverso il foro nel portastampo. Stringere il controdado per fissare il portastampo. Dopo la sostituzione del punzone e dello stampo, lubrificarli con olio per macchine e far funzionare l'utensile per qualche tempo.

## FUNZIONAMENTO

### Lubrificazione preliminare

Spalmare la linea di taglio con olio per macchine per estendere la vita di servizio del punzone e dello stampo. Ciò è particolarmente importante per il taglio dell'alluminio.

### Metodo di taglio (Fig. 12)

Tenere l'utensile in modo che la testa di taglio formi un angolo retto (90°) con il pezzo da tagliare. Spostare delicatamente l'utensile nella direzione di taglio.

### Sfinestrature (Fig. 13)

Le sfinestrature possono essere eseguite praticando prima un foro rotondo di oltre 21 mm di diametro in cui inserire la testa di taglio.

### Taglio di lamiere ondulate o trapezoidali (Fig. 14 e 15)

Regolare la posizione dello stampo in modo che esso sia rivolto nella direzione di taglio quando si taglia in posizione inclinata o perpendicolare rispetto alle scanalature delle lamiere ondulate o trapezoidali.

Tenere sempre il corpo dell'utensile parallelo alle scanalature con la testa di taglio ad angolo retto (90°) con la superficie di taglio, come mostrato nella illustrazione.

## MANUTENZIONE

### ATTENZIONE:

- Accertarsi sempre che l'utensile sia spento e di aver rimosso la batteria prima di cercare di eseguire l'ispezione o la manutenzione.
- Mai usare benzina, benzene, solventi, alcol e altre sostanze simili. Potrebbero causare scolorimenti, deformazioni o crepe.

### Sostituzione delle spazzole di carbone (Fig. 16, 17 e 18)

Rimuovere e controllare regolarmente le spazzole di carbonio. Sostituirle quando sono usurate fino al segno di limite. Mantenere le spazzole di carbonio pulite in modo da poter scorrere liberamente nei portaspazzole. Le spazzole di carbone devono essere sostituite entrambe allo stesso tempo. Usare soltanto spazzole di carbone identiche.

Inserire l'estremità superiore di un cacciavite a punta nella tacca dell'utensile, e rimuovere il tappo portaspazzole sollevandolo.

Usare un cacciavite per rimuovere i tappi dei portaspazzole. Estrarre le spazzole di carbone usurate, inserire quelle nuove e fissare i tappi dei portaspazzole.

Reinstallare il tappo portaspazzole sull'utensile.

Per preservare la SICUREZZA e l'AFFIDABILITÀ del prodotto, le riparazioni, qualsiasi altra manutenzione o regolazione devono essere eseguite da un Centro Assistenza Makita autorizzato usando sempre ricambi Makita.

**⚠ ATTENZIONE:**

- Questi accessori o attrezzi sono consigliati per l'uso con l'utensile Makita specificato in questo manuale. L'impiego di altri accessori o attrezzi può costituire un rischio di lesioni alle persone. Usare gli accessori soltanto per il loro scopo prefissato.

Per ottenere maggiori dettagli su questi accessori, rivolgersi a un Centro Assistenza Makita locale.

- Stampo
- Punzone
- Chiave esagonale
- Chiave 32
- Batteria e caricatore genuini Makita

**NOTA:**

- Alcuni articoli nella lista potrebbero essere inclusi nell'imballaggio dell'utensile come accessori standard. Essi potrebbero differire da Paese a Paese.

ENG905-1

**Rumore**

Il tipico livello di rumore pesato A determinato secondo EN62841-2-8:

Livello pressione sonora ( $L_{pA}$ ): 93 dB(A)

Livello di potenza sonora ( $L_{WA}$ ): 104 dB(A)

Incertezza (K): 3 dB(A)

ENG907-1

**NOTA:**

- Il valore o i valori dichiarati delle emissioni di rumori sono stati misurati in conformità a un metodo standard di verifica, e possono essere utilizzati per confrontare un utensile con un altro.
- Il valore o i valori dichiarati delle emissioni di rumori possono venire utilizzati anche per una valutazione preliminare dell'esposizione.

**⚠ AVVERTIMENTO:**

- **Indossare protezioni per le orecchie.**
- **L'emissione di rumori durante l'utilizzo effettivo dell'utensile elettrico può variare rispetto al valore o ai valori dichiarati, a seconda dei modi in cui viene utilizzato l'utensile e specialmente a seconda di che tipo di pezzo venga lavorato.**
- **Accertarsi di identificare misure di sicurezza per la protezione dell'operatore che siano basate su una stima dell'esposizione nelle condizioni effettive di utilizzo (tenendo conto di tutte le parti del ciclo operativo, ad esempio del numero di spegnimenti dell'utensile e di quando giri a vuoto, oltre al tempo di attivazione).**

ENG900-1

**Vibrazione**

Il valore totale di vibrazione (somma vettore triassiale) determinato secondo EN62841-2-8:

Modalità operativa: taglio di lamiera

Emissione di vibrazione ( $a_{h1}$ ): 6,5 m/s<sup>2</sup>

Incertezza (K): 1,5 m/s<sup>2</sup>

**NOTA:**

- Il valore o i valori complessivi delle vibrazioni dichiarati sono stati misurati in conformità a un metodo standard di verifica, e possono essere utilizzati per confrontare un utensile con un altro.
- Il valore o i valori complessivi delle vibrazioni dichiarati possono venire utilizzati anche per una valutazione preliminare dell'esposizione.

**⚠ AVVERTIMENTO:**

- **L'emissione delle vibrazioni durante l'utilizzo effettivo dell'utensile elettrico può variare rispetto al valore o ai valori dichiarati, a seconda dei modi in cui viene utilizzato l'utensile, specialmente a seconda di che tipo di pezzo venga lavorato.**
- **Accertarsi di identificare misure di sicurezza per la protezione dell'operatore che siano basate su una stima dell'esposizione nelle condizioni effettive di utilizzo (tenendo conto di tutte le parti del ciclo operativo, ad esempio del numero di spegnimenti dell'utensile e di quando giri a vuoto, oltre al tempo di attivazione).**

**DICHIARAZIONE DI CONFORMITÀ CE****Solo per i paesi europei**

La dichiarazione di conformità CE è inclusa come Allegato A al presente manuale di istruzioni.



**Verklaring van algemene gegevens**

1 Knop	12 Diktemaat voor zacht staal: 1,6 mm (1/16")	24 Schuin op de groeven snijden
2 Rode indicator		25 Haaks op de groeven snijden
3 Accu	13 Inkeping	26 Zijaanzicht
4 Stermarkering	14 Stroomschakelaar	27 Gegolfde of trapezoïdale metaalplaat
5 Spanningslampjes	15 Werkingslampje	28 De snijkop moet een rechte hoek (90°) maken met het te snijden oppervlak.
6 Controletoets	16 Mes	29 Limietmarkering
7 Meshouder	17 Bouten	30 Kap van de borstelhouderdop
8 Borgmoer	18 Zeskant-inbussleutel	31 Schroevendraaier
9 Loszetten	19 Drevel	32 Borstelhouderdop
10 Sleutel	20 Drevelhouder	
11 Diktemaat voor roestvrij staal: 1,2 mm (3/64")	21 Schroef	
	22 Vastdraaien	
	23 Bovenaaanzicht	

**TECHNISCHE GEGEVENS**

Model		DJN161
Maximale snijcapaciteit	Staal tot maximaal 400 N/mm <sup>2</sup>	1,6 mm/16 ga
	Staal tot maximaal 600 N/mm <sup>2</sup>	1,2 mm/18 ga
	Aluminium tot maximaal 200 N/mm <sup>2</sup>	2,5 mm/12 ga
Minimale snijcirkel	Buitenrand	50 mm
	Binnenrand	45 mm
Aantal snijbewegingen per minuut (min <sup>-1</sup> )		1 900
Totale lengte		313 mm
Nettogewicht		1,9 – 2,3 kg
Nominale spanning		D.C. 18 V

- Vanwege ons voortgaand onderzoeks- en ontwikkelingsprogramma kunnen de bijgaande technische gegevens zonder voorafgaande kennisgeving worden gewijzigd.
- De technische gegevens kunnen van land tot land verschillen.
- Het gewicht kan verschillen, afhankelijk van de hulpstukken, inclusief de accu. De lichtste en zwaarste combinatie, overeenkomstig de EPTA-procedure 01/2014, worden aangegeven in de tabel.

**Toepasselijke accu en acculader**

Accu	BL1815N / BL1820 / BL1820B / BL1830 / BL1830B / BL1840 / BL1840B / BL1850 / BL1850B / BL1860B
Acculader	DC18RC / DC18RD / DC18RE / DC18SD / DC18SE / DC18SF

- Sommige van de hierboven vermelde accu's en acculaders zijn mogelijk niet verkrijgbaar, afhankelijk van het gebied waarin u woont.

**⚠ WAARSCHUWING: Gebruik uitsluitend de hierboven vermelde accu's en acculaders.** Als u enige andere accu of acculader gebruikt, kan dat leiden tot letsel en/of brand.

ENE037-1

GEA010-2

**Doelinden van gebruik**

Dit gereedschap is bedoeld voor het knippen van staalplaat en roestvrijstaalplaat.

**Algemene veiligheidswaarschuwingen voor elektrisch gereedschap**

**⚠ WAARSCHUWING!** Lees alle veiligheidswaarschuwingen, aanwijzingen, afbeeldingen en technische gegevens behorend bij dit elektrische gereedschap aandachtig door. Als u niet alle onderstaande aanwijzingen naleeft, kan dat resulteren in brand, elektrische schokken en/of ernstig letsel.

**Bewaar alle waarschuwingen en instructies om in de toekomst te kunnen raadplegen.**

De term "elektrisch gereedschap" in de veiligheidsvoorschriften duidt op gereedschappen die op stroom van het lichtnet werken (met snoer) of gereedschappen met een accu (snoerloos).

GEB028-2

## VEILIGHEIDSVOORSCHRIFTEN VOOR DE KNABBELSCHAAR

1. Houd het gereedschap stevig vast.
2. Zet het werkstuk goed vast.
3. Houd uw handen uit de buurt van bewegende onderdelen.
4. De randen en afgeknipte spaanders van het werkstuk zijn uiterst scherp. Draag handschoenen. Draag bij voorkeur ook schoenen met dikke zolen, om mogelijke verwondingen te voorkomen.
5. Plaats het gereedschap niet op de afgeknipte spaanders van het werkstuk. Dit kan beschadiging en defect van het gereedschap veroorzaken.
6. Laat het gereedschap niet achter terwijl het nog in bedrijf is. Laat het gereedschap alleen draaien terwijl u het met de handen vasthoudt.
7. Zorg ervoor dat u altijd stevige steun voor de voeten hebt.  
Controleer of er zich niemand beneden u bevindt wanneer u het gereedschap op een hoge plaats gaat gebruiken.
8. Raak de stempel, de matrijs of het werkstuk niet onmiddellijk na gebruik aan. Zij kunnen bijzonder heet zijn en brandwonden op uw huid veroorzaken.
9. Pas op dat u niet in elektrische draden snijdt. Dit kan een ernstig ongeluk door elektrische schok veroorzaken.

## BEWAAR DEZE VOORSCHRIFTEN.

### WAARSCHUWING:

LAAT NIET uw vertrouwdheid met het gereedschap (na regelmatig gebruik) omslaan in slordigheid of onachtzaamheid omtrent de strikt na te leven veiligheidsvoorschriften voor dit product. VERKEERD GEBRUIK of het niet naleven van de veiligheidsvoorschriften in deze gebruiksaanwijzing kan leiden tot ernstige verwondingen.

ENC007-12

## BELANGRIJKE VEILIGHEIDSLINSTRUCTIES VOOR EEN ACCU

1. Lees alle voorschriften en waarschuwingen op (1) de acculader, (2) de accu, en (3) het product waarvoor de accu wordt gebruikt, alvorens de accu in gebruik te nemen.
2. Neem de accu niet uit elkaar.
3. Als de gebruikstijd van een opgeladen accu aanzienlijk korter is geworden, moet u het gebruik ervan onmiddellijk stopzetten. Voortgezet gebruik kan oververhitting, brandwonden en zelfs een ontploffing veroorzaken.
4. Als elektrolyt in uw ogen is terechtgekomen, spoelt u uw ogen met schoon water en roept u onmiddellijk de hulp van een dokter in. Elektrolyt in de ogen kan blindheid veroorzaken.
5. Voorkom kortsluiting van de accu:

- (1) Raak de accuklemmen nooit aan met een geleidend materiaal.
- (2) Bewaar de accu niet in een bak waarin andere metalen voorwerpen zoals spijkers, munten e.d. worden bewaard.
- (3) Stel de accu niet bloot aan water of regen.

Kortsluiting van de accu kan oorzaak zijn van een grote stroomafgifte, oververhitting, brandwonden, en zelfs defecten.

6. Bewaar het gereedschap en de accu niet op plaatsen waar de temperatuur kan oplopen tot 50°C of hoger.
7. Werp de accu nooit in het vuur, ook niet wanneer hij zwaar beschadigd of volledig versleten is. De accu kan ontploffen in het vuur.
8. Wees voorzichtig dat u de accu niet laat vallen en hem niet blootstelt aan schokken of stoten.
9. Gebruik nooit een beschadigde accu.
10. De bijgeleverde lithium-ionbatterijen zijn onderhevig aan de vereisten in de wetgeving omtrent gevaarlijke stoffen.


Voor commercieel transport en dergelijke door derden en transporteurs moeten speciale vereisten ten aanzien van verpakking en etikettering worden nageleefd.

Als voorbereiding van het artikel dat wordt getransporteerd is het noodzakelijk een expert op het gebied van gevaarlijke stoffen te raadplegen. Houd u tevens aan mogelijk strengere nationale regelgeving.

Blootliggende contactpunten moeten worden afgedekt met tape en de accu moet zodanig worden verpakt dat deze niet kan bewegen in de verpakking.

11. Volg bij het weggooiën van de accu de plaatselijke voorschriften.
12. Gebruik de accu's uitsluitend met de gereedschappen die door Makita zijn aanbevolen. Als de accu's worden aangebracht in niet-compatibele gereedschappen, kan dat leiden tot brand, buitensporige warmteontwikkeling, een explosie of lekkage van elektrolyt.

## BEWAAR DEZE INSTRUCTIES.

 LET OP: Gebruik uitsluitend originele Makita accu's. Het gebruik van niet-originele accu's, of accu's die zijn gewijzigd, kan ertoe leiden dat de accu ontploft en brand, persoonlijk letsel en schade veroorzaakt. Ook vervalt daarmee de garantie van Makita op het gereedschap en de lader van Makita.

### Tips voor een maximale levensduur van de accu

1. Laad de accu op voordat hij volledig ontladen is. Stop het gebruik van het gereedschap en laad de accu op telkens wanneer u vaststelt dat het vermogen van het gereedschap is afgenomen.
2. Laad een volledig opgeladen accu nooit opnieuw op. Te lang opladen verkort de levensduur van de accu.
3. Laad de accu op bij een omgevingstemperatuur tussen 10°C en 40°C. Laat een warme accu afkoelen alvorens hem op te laden.
4. Laad de accu op als u deze gedurende een lange tijd (meer dan zes maanden) niet gaat gebruiken.

## BESCHRIJVING VAN DE FUNCTIES

### ⚠ LET OP:

- Zorg altijd dat het gereedschap is uitgeschakeld en de accu ervan is verwijderd alvorens de functies op het gereedschap af te stellen of te controleren.

### Aanbrengen en verwijderen van de accu (Fig. 1)

#### ⚠ LET OP:

- Schakel altijd het gereedschap uit voordat u de accu aanbrengt of verwijdert.
- Houd het gereedschap en de accu stevig vast wanneer u de accu aanbrengt of verwijdert.** Als u het gereedschap en de accu niet stevig vasthoudt, zou er iets uit uw handen kunnen glippen, met gevaar voor schade aan het gereedschap of de accu en eventuele verwonding.

Om de accu te verwijderen, schuift u deze uit het gereedschap los terwijl u de knop voorop de accu ingedrukt houdt.

Voor het aanbrengen van de accu plaatst u de tong van de accu in de groef van de behuizing en schuift u de accu op zijn plaats. Schuif de accu er altijd volledig in totdat die op zijn plaats vast klikt. Wanneer de rode indicator op de bovenkant van de knop nog zichtbaar is, zit de accu niet volledig erin.

#### ⚠ LET OP:

- Schuif de accu volledig erin totdat de rode indicator niet meer zichtbaar is. Als u dit nalaat, zou de accu uit het gereedschap kunnen vallen en uzelf of anderen kunnen verwonden.
- Druk de accu er niet met kracht in. Als de accu er niet soepel in gaat, houdt u die waarschijnlijk in de verkeerde stand.

### Accubeveiligingssysteem (Fig. 2)

Het gereedschap is voorzien van een accubeveiligingssysteem. Dit systeem kan automatisch de stroomtoevoer naar de motor afsluiten om de levensduur van de accu te verlengen.

Het gereedschap kan tijdens gebruik automatisch stoppen wanneer het gereedschap en/of de accu aan één van de volgende omstandigheden wordt blootgesteld:

- Overbelasting:**  
Als het gereedschap wordt gebruikt op een manier die een abnormaal hoge stroomsterkte vergt. In dat geval schakelt u het gereedschap uit en verhelpt u de oorzaak van de overbelasting nadat het werktuig gestopt is. Dan schakelt u het gereedschap weer in om het te herstarten.  
Als het gereedschap niet start, kan de accu oververhit zijn. In dat geval laat u de accu afkoelen voordat u het gereedschap opnieuw inschakelt.
- Onvoldoende accuspanning:**  
Als de resterende accuspanning onvoldoende is, zal het gereedschap niet starten. In dat geval verwijdert u de accu en laadt u die opnieuw op.

#### OPMERKING:

- De beveiliging tegen oververhitting werkt alleen bij accu's met een stermarkering.

## Aangeven van de resterende accuspanning (Fig. 3)

### Alleen voor accu's met een indicatorlampje

Druk op de controletuets van de accu om de resterende accuspanning te zien. De spanningslampjes gaan enkele seconden lang branden.

Spanningslampjes			Resterende accuspanning
Verlicht	Gedooft	Knipperend	
■	□	◐	
■	■	■	75% tot 100%
■	■	□	50% tot 75%
■	□	□	25% tot 50%
■	□	□	0% tot 25%
◐	□	□	Laad de accu op.
■	■	□	Wellicht is er iets mis met de accu.
□	□	■	

015658

#### OPMERKING:

- Afhankelijk van de gebruiksomstandigheden en de omgevingstemperatuur kan de aanduiding wel eens ietwat afwijken van de werkelijk resterende accuspanning.

### Stand van het mes wijzigen (Fig. 4)

De stand van de meshouder is 360° draaibaar. Om de stand te wijzigen, gaat u als volgt te werk.

- Draai de borgmoer los met de bijgeleverde sleutel.
- Trek de meshouder ietwat omhoog en draai die dan in de gewenste stand voor het werk.
- Draai de borgmoer weer vast om de meshouder in de gekozen stand te vergrendelen.

Er zijn vier vaste klikstanden met 90° er tussen: Bij 0°, 90° links en rechts en 180°. Om het mes in te stellen op één van deze vaste klikstanden:

- Draai de borgmoer los met de bijgeleverde sleutel.
- Trek de meshouder iets omhoog en druk hem dan licht omlaag terwijl u de meshouder naar de gewenste stand draait. De meshouder zal in de door u gekozen klikstand vastklikken.
- Draai lichtjes aan de meshouder om te controleren dat hij stevig vastzit.
- Draai de borgmoer vast om de meshouder te vergrendelen.

### Toegestane slijddikte (Fig. 5)

De dikte van het te snijden materiaal hangt af van de treksterkte van het materiaal zelf. De groef in de meshouder dient als diktemaat voor de toegestane slijddikte. Probeer geen materiaal te snijden dat niet in deze groef past.

## Kniplijn

De inkeping in de meshouder geeft de snijlijn aan. De breedte ervan komt overeen met de snijbreedte. Laat bij het snijden de inkeping samenvallen met de snijlijn op het werkstuk.

## Schakelaarwerking (Fig. 6)

### ⚠ LET OP:

- Alvorens de accu in het gereedschap te plaatsen, moet u controleren of de schuifschakelaar correct functioneert en terugkeert in de "UIT"-stand wanneer de achterkant van de schakelaar wordt ingedrukt.
- De schakelaar kan in de "AAN"-stand vergrendeld worden, hetgeen bij langdurig gebruik comfortabeler werkt. Wees extra voorzichtig wanneer u de schakelaar in de "AAN"-stand vergrendelt en houd het gereedschap altijd stevig vast.

Om het gereedschap te starten, schuift u de stroomschakelaar in de "I (AAN)"-stand. Voor continu gebruik drukt u de voorkant van de stroomschakelaar in, om die te vergrendelen.

Om het gereedschap te stoppen drukt u op de achterkant van de stroomschakelaar en schuift u die naar de "O (UIT)"-stand.

## Werkingslampje met diverse functies (Fig. 7)

Op twee plaatsen is voorzien in een werkingslampje.

### - Aanduiding voor vervangen van de accu

- Wanneer tijdens het gebruik de accu bijna helemaal leeg is, gaat het rode lampje branden en stopt het gereedschap onmiddellijk. Wanneer het rode lampje oplicht, vervangt u de accu door één die volledig is opgeladen.

### - Beveiliging tegen per ongeluk herstarten

- Al staat de schuifschakelaar nog in de "I (AAN)"-stand wanneer u een accu in het apparaat plaatst, het gereedschap zal dan niet starten. In dat geval knippert het lampje langzaam om aan te geven dat de beveiliging tegen per ongeluk herstarten in werking is getreden.
- Om dan het gereedschap te starten, schuift u eerst de schakelaar naar de "O (UIT)"-stand en dan schuift u die weer in de "I (AAN)"-stand.

## INEENZETTEN

### ⚠ LET OP:

- Controleer altijd of het gereedschap is uitgeschakeld en de accu ervan is verwijderd alvorens enig werk aan het gereedschap uit te voeren.

## De drevel en het mes verwijderen of aanbrengen (Fig. 8, 9, 10 en 11)

Vervang de drevel en het mes altijd samen. Om de drevel en het mes te vervangen, draait u de borgmoer los met de sleutel. Verwijder de meshouder van het gereedschap. Draai de mesbevestigingsbouten los met behulp van de zeskant-inbussleutel. Verwijder het mes uit de meshouder.

Draai de drevelbevestigingsschroef los met behulp van de inbussleutel. Trek de drevel uit de drevelhouder.

Om de drevel en het mes aan te brengen, steekt u de drevel in de drevelhouder zodat de uitsparing in de drevel naar de schroef toe wijst. Draai de schroef vast om de drevel te vergrendelen. Plaats het mes in de meshouder. Draai de bouten vast om het mes te vergrendelen.

Bevestig vervolgens de meshouder op het gereedschap zodat de drevel door de opening in de meshouder steekt. Draai de borgmoer vast om de meshouder te vergrendelen. Na het vervangen van de drevel en het mes, smeert u ze met machineolie en laat u het gereedschap een tijdje draaien.

## BEDIENING

### Voorsmering

Breng machineolie aan op de snijlijn voor een langere levensduur van de drevel en het mes. Dit is met name belangrijk bij het snijden van aluminium.

### Snijmethode (Fig. 12)

Houd het gereedschap zo dat de snijkop een rechte hoek (90°) maakt met het te snijden werkstuk. Beweeg het gereedschap soepel en gelijkmatig in de snijrichting.

### Uitsnijdingen (Fig. 13)

Om materiaal uit te snijden, maakt u eerst een rondeopening met een diameter van meer dan 21 mm waarin u dan de snijkop kunt steken.

## Gegolfde of trapezoidale metaalplaat snijden (Fig. 14 en 15)

Stel het mes zo in dat het mes in de snijrichting wijst wanneer schuin of haaks op de groeven in gegolfde of trapezoidale metaalplaat wordt gesneden.

Houd het gereedschap altijd parallel aan de groeven, met de snijkop haaks (90°) op het snijvlak, zoals getoond in de afbeelding.

## ONDERHOUD

### ⚠ LET OP:

- Zorg er altijd voor dat het gereedschap is uitgeschakeld en de accu is verwijderd, voordat u enige inspectie of onderhoud uitvoert.
- Gebruik nooit benzine, wasbenzine, thinner, alcohol en dergelijke. Hierdoor kunnen verkleuring, vervormingen en barsten worden veroorzaakt.

### Koolborstels vervangen (Fig. 16, 17 en 18)

Verwijder en controleer regelmatig de koolborstels. Vervang de koolborstels wanneer ze tot aan de limietmarkering versleten zijn. Houd de koolborstels schoon, zodat ze gemakkelijk in de houders glijden. Vervang altijd beide koolborstels tegelijk. Gebruik uitsluitend identieke koolborstels.

Steek het uiteinde van een platte schroevendraaier in de inkeping in het gereedschap en verwijder de kap van de borstelhouderdop door die omhoog te wippen.

Gebruik een schroevendraaier om de kap van de borstelhouderdoppen te verwijderen. Haal de versleten koolborstels eruit, plaats de nieuwe erin en zet daarna de doppen weer goed vast.

Breng de kap van de borstelhouderdop weer op het gereedschap aan.

Om de VEILIGHEID en BETROUWBAARHEID van het product te handhaven, dienen alle reparaties en alle andere onderhoudswerkzaamheden of afstellingen te worden uitgevoerd door een erkend Makita Servicecentrum, en dat uitsluitend met gebruik van Makita vervangingsonderdelen.

## OPTIONELE ACCESSOIRES

### ⚠ LET OP:

- Deze accessoires of hulpstukken worden aanbevolen voor gebruik met het Makita gereedschap dat in deze gebruiksaanwijzing is beschreven. Bij gebruik van andere accessoires of hulpstukken bestaat er gevaar voor persoonlijke verwonding. Gebruik de accessoires of hulpstukken uitsluitend voor hun bestemde doel.

Raadpleeg het dichtstbijzijnde Makita servicecentrum voor verder advies of bijzonderheden omtrent deze accessoires.

- Mes
- Drevel
- Zeskant-inbussleutel
- Sleutel 32
- Originele Makita accu en acculader

### OPMERKING:

- Sommige onderdelen in deze lijst kunnen bij het gereedschap zijn meegeleverd als standaard-accessoires. Deze kunnen van land tot land verschillen.

ENG905-1

### Geluidsniveau

De typisch, A-gewogen geluidsniveaus vastgesteld volgens EN62841-2-8:

- Geluidsdruk niveau ( $L_{pA}$ ): 93 dB(A)
- Geluidsvermogen niveau ( $L_{WA}$ ): 104 dB(A)
- Onnauwkeurigheid (K): 3 dB(A)

ENG907-1

### OPMERKING:

- De opgegeven geluidsemisiewaarde(n) is/zijn gemeten volgens een standaardtestmethode en kan/kunnen worden gebruikt om dit gereedschap te vergelijken met andere gereedschappen.
- De opgegeven geluidsemisiewaarde(n) kan/kunnen ook worden gebruikt voor een beoordeling vooraf van de blootstelling.

### ⚠ WAARSCHUWING:

- **Draag gehoorbescherming.**
- **De geluidsemisie tijdens het gebruik van het elektrisch gereedschap in de praktijk kan verschillen van de opgegeven waarde(n) afhankelijk van de manier waarop het gereedschap wordt gebruikt, met name van het soort werkstuk waarmee wordt gewerkt.**
- **Zorg ervoor dat veiligheidsmaatregelen worden getroffen ter bescherming van de gebruiker die zijn gebaseerd op een schatting van de blootstelling onder praktijkomstandigheden (rekening houdend met alle fasen van de bedrijfscyclus, zoals de tijdsduur gedurende welke het gereedschap is uitgeschakeld en stationair draait, naast de ingeschakelde tijdsduur).**

ENG900-1

### Trilling

De totaalwaarde van de trillingen (triaxiale vectorsom) vastgesteld volgens EN62841-2-8:

- Toepassing: knippen van metaalplaat
- Trillingsemisie ( $a_{h1}$ ): 6,5 m/s<sup>2</sup>
- Onnauwkeurigheid (K): 1,5 m/s<sup>2</sup>

### OPMERKING:

- De totale trillingswaarde(n) is/zijn gemeten volgens een standaardtestmethode en kan/kunnen worden gebruikt om dit gereedschap te vergelijken met andere gereedschappen.
- De opgegeven totale trillingswaarde(n) kan/kunnen ook worden gebruikt voor een beoordeling vooraf van de blootstelling.

### ⚠ WAARSCHUWING:

- **De trillingsemisie tijdens het gebruik van het elektrisch gereedschap in de praktijk kan verschillen van de opgegeven waarde(n) afhankelijk van de manier waarop het gereedschap wordt gebruikt, met name van het soort werkstuk waarmee wordt gewerkt.**
- **Zorg ervoor dat veiligheidsmaatregelen worden getroffen ter bescherming van de gebruiker die zijn gebaseerd op een schatting van de blootstelling onder praktijkomstandigheden (rekening houdend met alle fasen van de bedrijfscyclus, zoals de tijdsduur gedurende welke het gereedschap is uitgeschakeld en stationair draait, naast de ingeschakelde tijdsduur).**

## EG-VERKLARING VAN CONFORMITEIT

### Aleen voor Europese landen

De EG-verklaring van conformiteit is bijgesloten als Aanhangsel A bij deze gebruiksaanwijzing.

**Explicación de los dibujos**

1 Botón	13 Muesca	26 Visto desde un lado
2 Indicador rojo	14 Interruptor deslizable	27 Lámina de metal corrugado o trapezoidal
3 Cartucho de batería	15 Lámpara indicadora	28 El cabezal de corte deberá formar un ángulo recto (90°) con respecto a la superficie de corte.
4 Marca de estrella	16 Matriz	29 Marca límite
5 Lámparas indicadoras	17 Pernos	30 Cubierta de la tapa del portaescobilla
6 Botón de comprobación	18 Llave hexagonal	31 Atornillador
7 Soporte de matriz	19 Punzón	32 Tapón portaescobillas
8 Contratuerca	20 Soporte de punzón	
9 Aflojar	21 Tornillo	
10 Llave	22 Apretar	
11 Calibrador para cortar acero inoxidable: 1,2 mm (3/64")	23 Visto desde arriba	
12 Calibrador para cortar acero blando: 1,6 mm (1/16")	24 Corte en ángulo a las ranuras	
	25 Corte perpendicular a las ranuras	

**ESPECIFICACIONES**

Modelo		DJN161
Capacidades máximas de corte	Acero de hasta 400 N/mm <sup>2</sup>	1,6 mm/16 ga
	Acero de hasta 600 N/mm <sup>2</sup>	1,2 mm/18 ga
	Aluminio de hasta 200 N/mm <sup>2</sup>	2,5 mm/12 ga
Radio mínimo de corte	Borde exterior	50 mm
	Borde interior	45 mm
Carreras por minuto (min <sup>-1</sup> )		1.900
Longitud total		313 mm
Peso neto		1,9 – 2,3 kg
Tensión nominal		CC 18 V

- Debido a nuestro continuado programa de investigación y desarrollo, las especificaciones indicadas aquí están sujetas a cambio sin previo aviso.
- Las especificaciones pueden ser diferentes de país a país.
- El peso puede variar dependiendo del accesorio(s), incluyendo el cartucho de batería. La combinación menos pesada y la más pesada, de acuerdo con el procedimiento EPTA 01/2014, se muestran en la tabla.

**Cartucho de batería y cargador aplicables**

Cartucho de batería	BL1815N / BL1820 / BL1820B / BL1830 / BL1830B / BL1840 / BL1840B / BL1850 / BL1850B / BL1860B
Cargador	DC18RC / DC18RD / DC18RE / DC18SD / DC18SE / DC18SF

- Algunos de los cartuchos de batería y cargadores indicados arriba puede que no estén disponibles dependiendo de su región de residencia.

**⚠ ADVERTENCIA:** Utilice solamente los cartuchos de batería y cargadores indicados arriba. La utilización de cualquier otro cartucho de batería y cargador puede ocasionar heridas y/o un incendio.

ENE037-1

GEA010-2

**Uso previsto**

La herramienta ha sido prevista para cortar chapas de acero y chapas de acero inoxidable.

**Advertencias de seguridad para herramientas eléctricas en general**

**⚠ ¡ADVERTENCIA!** Lea todas las advertencias de seguridad, instrucciones, ilustraciones y especificaciones provistas con esta herramienta eléctrica. Si no sigue todas las instrucciones indicadas abajo podrá resultar en una descarga eléctrica, un incendio y/o heridas graves.

**Guarde todas las advertencias e instrucciones para futuras referencias.**

El término "herramienta eléctrica" en las advertencias se refiere a su herramienta eléctrica de funcionamiento con conexión a la red eléctrica (con cable) o herramienta eléctrica de funcionamiento a batería (sin cable).

GEB028-2

## ADVERTENCIAS DE SEGURIDAD PARA LA ROEDORA

1. Sujete firmemente la herramienta.
2. Asegure firmemente la pieza de trabajo.
3. Mantenga las manos alejadas de las partes en movimiento.
4. Los bordes y las virutas de la pieza de trabajo estarán afilados. Póngase guantes. También le recomendamos ponerse calzado de suela gruesa para no dañarse.
5. No ponga la herramienta encima de las virutas de la pieza de trabajo. De lo contrario, esto podría causar daños y problemas en la herramienta.
6. No deje funcionando la herramienta sin atenderla. Utilícela solamente cuando la sostenga en sus manos.
7. Asegúrese siempre de pisar suelo firme. Asegúrese de que no haya nadie debajo cuando utilice la herramienta en lugares elevados.
8. No toque el punzón, la matriz ni la pieza de trabajo inmediatamente después de la operación; estarán muy calientes y podrán quemarle la piel.
9. Evite cortar cables eléctricos. Esto puede causar accidentes graves debidos a descargas eléctricas.

## GUARDE ESTAS INSTRUCCIONES.

### ⚠ ADVERTENCIA:

NO deje que la comodidad o familiaridad con el producto (a base de utilizarlo repetidamente) sustituya la estricta observancia de las normas de seguridad para el producto en cuestión. El MAL USO o el no seguir las normas de seguridad establecidas en este manual de instrucciones podrá ocasionar graves heridas personales.

ENC007-12

## INSTRUCCIONES DE SEGURIDAD IMPORTANTES PARA EL CARTUCHO DE BATERÍA

1. Antes de utilizar el cartucho de batería, lea todas las instrucciones e indicaciones de precaución sobre (1) el cargador de baterías, (2) la batería, y (3) el producto con el que se utiliza la batería.
2. No desarme el cartucho de batería.
3. Si el tiempo de uso se acorta demasiado, cese la operación inmediatamente. Podría resultar en un riesgo de recalentamiento, posibles quemaduras e incluso una explosión.
4. Si entra electrolito en sus ojos, aclárelos con agua limpia y acuda a un médico inmediatamente. Existe el riesgo de poder perder la vista.
5. No cortocircuite el cartucho de batería:
  - (1) No toque los terminales con ningún material conductor.

- (2) Evite guardar el cartucho de batería en un cajón junto con otros objetos metálicos, como clavos, monedas, etc.
- (3) No exponga el cartucho de batería al agua ni a la lluvia.

Un cortocircuito en la batería puede producir una gran circulación de corriente, un recalentamiento, posibles quemaduras e incluso una rotura de la misma.

6. No guarde la herramienta y el cartucho de batería en lugares donde la temperatura pueda alcanzar o exceder los 50°C.
7. Nunca incinere el cartucho de batería incluso en el caso de que esté dañado seriamente o ya no sirva en absoluto. El cartucho de batería puede explotar si se tira al fuego.
8. Tenga cuidado de no dejar caer ni golpear el cartucho de batería.
9. No utilice una batería dañada.
10. Las baterías de litio-ion contenidas están sujetas a los requisitos de la Legislación para Materiales Peligrosos.

Para transportes comerciales, p.ej., por terceras personas y agentes de transportes, se deberán observar requisitos especiales para el empaquetado y etiquetado.

Para la preparación del artículo que se va a enviar, se requiere consultar con un experto en materiales peligrosos. Por favor, observe también la posibilidad de reglamentos nacionales más detallados.

Cubra con cinta aislante o enmascare los contactos expuestos y empaquete la batería de tal manera que no se pueda mover alrededor dentro del embalaje.
11. Siga los reglamentos locales referentes al desecho de la batería.
12. Utilice las baterías solamente con los productos especificados por Makita. La instalación de las baterías en productos no compatibles puede resultar en un incendio, calor excesivo, explosión, o fuga de electrolito.

## GUARDE ESTAS INSTRUCCIONES.

⚠ PRECAUCIÓN: Utilice solamente baterías genuinas de Makita. La utilización de baterías no genuinas de Makita, o baterías que han sido alteradas, puede resultar en una explosión de la batería ocasionando incendios, heridas personales y daños. También anulará la garantía de Makita para la herramienta y el cargador de Makita.

## Consejos para alargar al máximo la vida de servicio de la batería

1. Cargue el cartucho de batería antes de que se descargue completamente. Detenga siempre la operación y cargue el cartucho de batería cuando note menos potencia en la herramienta.
2. No cargue nunca un cartucho de batería que esté completamente cargado. La sobrecarga acortará la vida de servicio de la batería.
3. Cargue el cartucho de batería a temperatura ambiente de 10°C - 40°C. Si un cartucho de batería está caliente, déjelo enfriar antes de cargarlo.
4. Cargue el cartucho de batería si no lo utiliza durante un periodo de tiempo prolongado (más de seis meses).

## DESCRIPCIÓN DEL FUNCIONAMIENTO

### ⚠ PRECAUCIÓN:

- Asegúrese siempre de que la herramienta está apagada y el cartucho de batería extraído antes de realizar cualquier ajuste o comprobación en la herramienta.

### Instalación o extracción del cartucho de batería (Fig. 1)

#### ⚠ PRECAUCIÓN:

- Apague siempre la herramienta antes de la instalación o extracción del cartucho de batería.
- **Sujete la herramienta y el cartucho de batería firmemente cuando instale o extraiga el cartucho de batería.** Si no sujeta la herramienta y el cartucho de batería firmemente podrán caérsele de las manos y resultar en daños a la herramienta y cartucho de batería y heridas personales.

Para extraer el cartucho de batería, deslícelo de la herramienta a la vez que desliza el botón de la parte frontal del cartucho.

Para instalar el cartucho de batería, alinee la lengüeta del cartucho de batería con la ranura de la carcasa y deslícelo hasta que encaje en su sitio. Insértelo a tope hasta que se bloquee en su sitio produciendo un pequeño chasquido. Si puede ver el indicador rojo en el lado superior del botón, no estará bloqueado completamente.

#### ⚠ PRECAUCIÓN:

- Instale siempre el cartucho de batería completamente hasta que no pueda verse el indicador rojo. En caso contrario, podrá caerse accidentalmente de la herramienta y ocasionarle heridas a usted o a alguien que esté cerca de usted.
- No instale el cartucho de batería empleando fuerza. Si el cartucho no se desliza al interior fácilmente, será porque no está siendo insertado correctamente.

### Sistema de protección de la batería (Fig. 2)

La herramienta está equipada con un sistema de protección de la batería. Este sistema corta automáticamente la alimentación del motor para alargar la vida útil de la batería.

La herramienta se detendrá automáticamente durante la operación si la herramienta y/o la batería son puestas en una de las condiciones siguientes:

- **Sobrecargada:**  
La herramienta es utilizada de una manera que da lugar a que tenga que absorber una corriente anormalmente alta.  
En esta situación, apague la herramienta y detenga la tarea que ocasiona la sobrecarga de la herramienta. Después encienda la herramienta para volver a empezar.  
Si la herramienta no se pone en marcha, la batería estará recalentada. En esta situación, deje que la batería se enfríe antes de encender la herramienta otra vez.
- **Tensión baja en la batería:**  
La capacidad de batería restante es muy baja y la herramienta no funcionará. En esta situación, extraiga la batería y vuelva a cargarla.

#### NOTA:

- La protección contra el recalentamiento funciona solamente con un cartucho de batería con marca de estrella.

### Indicación de la capacidad de batería restante (Fig. 3)

#### Solamente para cartuchos de batería con el indicador

Pulse el botón de comprobación en el cartucho de batería para indicar la capacidad de batería restante. Las lámparas indicadoras se iluminan durante unos pocos segundos.

Lámparas indicadoras			Capacidad restante
Encendida	Apagada	Parpadeando	
■	□	▧	75% a 100%
■	■	□	50% a 75%
■	■	□	25% a 50%
■	□	□	0% a 25%
▧	□	□	Cargue la batería.
■	■	□	Es posible que la batería no funcione bien.
□	□	■	

015658

#### NOTA:

- Dependiendo de las condiciones de utilización y la temperatura ambiente, es posible que la indicación varíe ligeramente de la capacidad real.

### Cambio de la posición de la matriz (Fig. 4)

La posición del soporte de matriz se puede cambiar 360°. Para cambiarla, prosiga de la forma siguiente.

1. Afloje la contratuerca con la llave provista.
2. Saque el soporte de matriz ligeramente y gírelo hasta la posición deseada para la operación.
3. Apriete la contratuerca para sujetar el soporte de matriz en la posición deseada.

Hay cuatro retenciones positivas a 90° cada una: 0°, 90° hacia la izquierda y hacia la derecha y 180°. Para colocar la matriz en cualquiera de estas retenciones positivas:

4. Afloje la contratuerca con la llave provista.
5. Saque el soporte de matriz ligeramente y bájelo ligeramente mientras lo gira hasta la posición deseada. El soporte de matriz se bloqueará en una de las posiciones de retención positiva que desee.
6. Gire el soporte de matriz ligeramente para asegurarse de que se está bloqueado positivamente en una posición.
7. Apriete la contratuerca para sujetar el soporte de matriz.



### Espesor de corte permisible (Fig. 5)

El espesor del material que se vaya a cortar dependerá de la resistencia a la tracción del propio material. La ranura en el soporte de matriz sirve como calibrador de espesores para el grosor de corte permitido. No intente cortar ningún material que no encaje en esta ranura.

### Línea de corte

La muesca en el soporte de matriz indica la línea de corte. Su anchura es igual a la anchura de corte. Alinee la muesca con la línea de corte en la pieza de trabajo cuando realice el corte.

### Accionamiento del interruptor (Fig. 6)

#### ⚠ PRECAUCIÓN:

- Antes de insertar el cartucho de batería en la herramienta, compruebe siempre para confirmar que el interruptor deslizable se acciona debidamente y que vuelve a la posición "OFF" cuando se presiona la parte trasera del mismo.
- El interruptor puede ser bloqueado en la posición "ON" para mayor comodidad del operario durante una utilización prolongada. Tenga precaución cuando bloquee la herramienta en la posición "ON" y mantenga la herramienta firmemente empujada.

Para poner en marcha la herramienta, deslice el interruptor deslizable hacia la posición "I (ON)". Para una operación continua, presione la parte delantera del interruptor deslizable para bloquearlo.

Para detener la herramienta, presione la parte trasera del interruptor deslizable, después deslícelo hacia la posición "O (OFF)".

### Lámpara indicadora con múltiples funciones (Fig. 7)

Las lámparas indicadoras están ubicadas en dos posiciones.

#### - Señal de reemplazo del cartucho de batería

- Cuando la carga de la batería esté a punto de agotarse durante la operación, la lámpara roja se iluminará y la herramienta se detendrá inmediatamente. Reemplace la batería con una completamente cargada cuando se encienda la lámpara roja.

#### - Función de prevención de puesta en marcha accidental

- Aunque se inserte el cartucho de batería en la herramienta con el interruptor deslizable en la posición "I (ON)", la herramienta no se pondrá en marcha. En este momento, la lámpara parpadeará lentamente indicando que la función de prevención de puesta en marcha accidental está activada.

- Para poner en marcha la herramienta, primero deslice el interruptor deslizable hacia la posición "O (OFF)" y después deslícelo hacia la posición "I (ON)".

## MONTAJE

### ⚠ PRECAUCIÓN:

- Asegúrese siempre de que la herramienta esté apagada y el cartucho de batería extraído antes de realizar cualquier trabajo en la herramienta.

### Desmontaje o instalación del punzón y la matriz (Fig. 8, 9, 10 y 11)

Reemplace siempre el punzón y la matriz en conjunto. Para retirar el punzón y la matriz, afloje la contratuerca con la llave. Retire el soporte de matriz de la herramienta. Utilice la llave hexagonal para aflojar los pernos que sujetan la matriz. Retire la matriz del soporte de matriz.

Utilice la llave hexagonal para aflojar el tornillo que sujeta el punzón. Saque el punzón del soporte de punzón.

Para instalar el punzón y la matriz, inserte el punzón en el soporte de punzón de forma que la muesca en el punzón quede orientada hacia el tornillo. Apriete el tornillo para sujetar el punzón. Instale la matriz en el soporte de matriz. Apriete los pernos para sujetar la matriz.

Después instale el soporte de matriz en la herramienta de forma que el punzón esté introducido a través del orificio del soporte de matriz. Apriete la contratuerca para sujetar el soporte de matriz. Después de reemplazar el punzón y la matriz, lubríquelos con aceite para máquinas y deje en marcha la herramienta durante un rato.

## OPERACIÓN

### Lubricación previa

Cubra la línea de corte con aceite para máquinas para aumentar la vida útil del punzón y la matriz. Esto es especialmente importante cuando se corta aluminio.

### Método de corte (Fig. 12)

Sujete la herramienta de tal forma que el cabezal de corte esté en ángulo recto (90°) con la pieza de trabajo que quiere cortar. Mueva la herramienta con cuidado en la dirección de corte.

### Recortes (Fig. 13)

Los recortes se pueden hacer abriendo primero un agujero redondo de más de 21 mm de diámetro en el que se pueda introducir el cabezal de corte.

### Corte de láminas de metal corrugado o trapezoidal (Fig. 14 y 15)

Ajuste la posición de la matriz de forma que quede orientada en la dirección de corte tanto si corta en ángulo como si corta perpendicular a las ranuras de las láminas de metal corrugado o trapezoidal.

Mantenga siempre el cuerpo de la herramienta paralelo a las ranuras con el cabezal de corte en ángulo recto (90°) a la superficie de corte como se muestra en la figura.

**⚠ PRECAUCIÓN:**

- Asegúrese siempre de que la herramienta está apagada y el cartucho de batería desmontado antes de intentar realizar una inspección o mantenimiento.
- No utilice nunca gasolina, bencina, disolvente, alcohol o similares. Podría producir descoloración, deformación o grietas.

**Reemplazo de las escobillas de carbón (Fig. 16, 17 y 18)**

Extraiga e inspeccione las escobillas de carbón regularmente. Reemplácelas cuando se hayan gastado hasta la marca límite. Mantenga las escobillas de carbón limpias de forma que entren libremente en los portaescobillas. Deberá reemplazar ambas escobillas de carbón al mismo tiempo. Utilice únicamente escobillas de carbón idénticas.

Inserte el extremo del destornillador de punta ranurada en la muesca de la herramienta y retire la cubierta de la tapa del portaescobilla levantándola.

Utilice un atornillador para quitar los tapones portaescobillas. Extraiga las escobillas desgastadas, inserte las nuevas y vuelva a colocar los tapones portaescobillas.

Vuelva a instalar la cubierta de la tapa del portaescobilla. Para mantener la SEGURIDAD y la FIABILIDAD del producto, las reparaciones y cualquier otro mantenimiento o ajuste deberán ser realizados por los centros de servicio autorizado de Makita, siempre con piezas de repuesto de Makita.

**ACCESORIOS OPCIONALES**

**⚠ PRECAUCIÓN:**

- Estos accesorios o aditamentos están recomendados para su uso con la herramienta Makita especificada en este manual. El uso de cualquier otro accesorio o aditamento puede suponer un riesgo de lesiones personales. Utilice el accesorio o aditamento exclusivamente para su uso declarado.

Si necesita información más detallada sobre estos accesorios, consulte con su centro local de servicio de Makita.

- Matriz
- Punzón
- Llave hexagonal
- Llave de 32
- Batería y cargador genuinos de Makita

**NOTA:**

- Algunos elementos de la lista podrán estar incluidos en el paquete de la herramienta como accesorios estándar. Pueden variar de un país a otro.

ENG905-1

**Ruido**

El nivel de ruido A-ponderado típico determinado de acuerdo con la norma EN62841-2-8:

- Nivel de presión sonora ( $L_{pA}$ ): 93 dB(A)
- Nivel de potencia sonora ( $L_{WA}$ ): 104 dB(A)
- Incerteza (K): 3 dB(A)

**NOTA:**

- El valor (o los valores) de emisión de ruido declarado ha sido medido de acuerdo con un método de prueba estándar y se puede utilizar para comparar una herramienta con otra.
- El valor (o los valores) de emisión de ruido declarado también se puede utilizar en una valoración preliminar de exposición.

**⚠ ADVERTENCIA:**

- **Póngase protectores para oídos.**
- **La emisión de ruido durante la utilización real de la herramienta eléctrica puede variar del valor (o los valores) de emisión declarado dependiendo de las formas en las que la herramienta sea utilizada, especialmente qué tipo de pieza de trabajo se procesa.**
- **Asegúrese de identificar medidas de seguridad para proteger al operario que estén basadas en una estimación de la exposición en las condiciones reales de utilización (teniendo en cuenta todas las partes del ciclo operativo como las veces cuando la herramienta está apagada y cuando está funcionando en vacío además del tiempo de gatillo).**

ENG900-1

**Vibración**

El valor total de la vibración (suma de vectores triaxiales) determinado de acuerdo con la norma EN62841-2-8:

- Modo tarea: corte de chapa de acero
- Emisión de vibración ( $a_{h1}$ ): 6,5 m/s<sup>2</sup>
- Incerteza (K): 1,5 m/s<sup>2</sup>

ENG901-2

**NOTA:**

- El valor (o los valores) total de emisión de vibración declarado ha sido medido de acuerdo con un método de prueba estándar y se puede utilizar para comparar una herramienta con otra.
- El valor (o los valores) total de emisión de vibración declarado también se puede utilizar en una valoración preliminar de exposición.

**⚠ ADVERTENCIA:**

- **La emisión de vibración durante la utilización real de la herramienta eléctrica puede variar del valor (o los valores) de emisión declarado dependiendo de las formas en las que la herramienta sea utilizada, especialmente qué tipo de pieza de trabajo se procesa.**
- **Asegúrese de identificar medidas de seguridad para proteger al operario que estén basadas en una estimación de la exposición en las condiciones reales de utilización (teniendo en cuenta todas las partes del ciclo operativo como las veces cuando la herramienta está apagada y cuando está funcionando en vacío además del tiempo de gatillo).**

**DECLARACIÓN CE DE CONFORMIDAD**

**Sólo para países europeos**

La declaración CE de conformidad está incluida como Anexo A de este manual de instrucciones.

**Explicação geral**

1 Botão	13 Entalhe	25 Corte perpendicular às ranhuras
2 Indicador vermelho	14 Interruptor deslizante	26 Vista lateral
3 Cartucho da bateria	15 Luz indicadora	27 Folha metálica ondulada ou trapezoidal
4 Marcação de estrela	16 Matriz	28 A cabeça de corte deverá estar em ângulo recto (90°) relativamente à superfície de corte.
5 Luzes indicadoras	17 Pernos	29 Marca limite
6 Botão de verificação	18 Chave hexagonal	30 Cobertura da tampa do suporte
7 Suporte da matriz	19 Furador	31 Chave de parafusos
8 Contraporca	20 Suporte de furador	32 Tampa do porta escovas
9 Desapertar	21 Parafuso	
10 Chave de porcas	22 Apertar	
11 Indicador para cortar aço inoxidável: 1,2 mm (3/64")	23 Vista de cima	
12 Indicador para cortar aço macio: 1,6 mm (1/16")	24 Corte em ângulo em relação às ranhuras	

**ESPECIFICAÇÕES**

Modelo		DJN161
Capacidades máx. de corte	Aço até 400 N/mm <sup>2</sup>	1,6 mm/16 ga
	Aço até 600 N/mm <sup>2</sup>	1,2 mm/18 ga
	Alumínio até 200 N/mm <sup>2</sup>	2,5 mm/12 ga
Raio mín. de corte	Lado exterior	50 mm
	Lado interior	45 mm
Movimentos por minuto (min <sup>-1</sup> )		1.900
Comprimento total		313 mm
Peso líquido		1,9 – 2,3 kg
Tensão nominal		18 V C.C

- Devido a um programa contínuo de pesquisa e desenvolvimento, estas especificações podem ser alteradas sem aviso prévio.
- As especificações podem variar de país para país.
- O peso pode diferir dependendo do(s) acessório(s), incluindo a bateria. A combinação mais leve e mais pesada, de acordo com o Procedimento 01/2014 da EPTA (European Power Tool Association), são apresentadas na tabela.

**Cartucho de bateria e carregador aplicáveis**

Cartucho de bateria	BL1815N / BL1820 / BL1820B / BL1830 / BL1830B / BL1840 / BL1840B / BL1850 / BL1850B / BL1860B
Carregador	DC18RC / DC18RD / DC18RE / DC18SD / DC18SE / DC18SF

- Alguns dos cartuchos de bateria e carregadores listados acima podem não estar disponíveis, dependendo da sua região de residência.

**⚠ AVISO:** Utilize apenas os cartuchos de bateria e os carregadores listados acima. A utilização de qualquer outro cartucho de bateria e carregador pode provocar ferimentos e/ou incêndio.

ENE037-1

**Utilização a que se destina**

A ferramenta foi concebida para cortar chapas de aço e de aço inoxidável.

GEA010-2

**Guarde todos os avisos e instruções para futuras referências.**

O termo "ferramenta eléctrica" nos avisos refere-se às ferramentas eléctricas ligadas à corrente eléctrica (com cabo) ou às ferramentas eléctricas operadas por meio de bateria (sem cabo).

GEB028-2

**Avisos gerais de segurança para ferramentas eléctricas**

**⚠ AVISO!** Leia todos os avisos de segurança, instruções, ilustrações e especificações fornecidos com esta ferramenta eléctrica. O não cumprimento de todas as instruções indicadas em baixo pode resultar em choque eléctrico, incêndio e/ou ferimentos graves.

**AVISOS DE SEGURANÇA PARA TESOURA PUNÇÃO**

1. **Agarre firmemente na ferramenta.**
2. **Prenda a peça de trabalho firmemente.**
3. **Mantenha as mãos afastadas das peças móveis.**

4. As extremidades e aparas da peça de trabalho são afiadas. Use luvas. Para evitar injúrias também se recomenda o uso de sapatos fortes e abotinados.
5. Não coloque a ferramenta sobre as aparas da peça de trabalho. Pode causar estragos e estragar a ferramenta.
6. Não abandone a ferramenta a funcionar. Só funcione com a ferramenta quando a estiver a agarrar.
7. Confirme sempre que está em equilíbrio. Certifique-se que ninguém está por baixo quando utiliza a ferramenta em locais altos.
8. Não toque no punção, matriz ou peça de trabalho imediatamente após a operação; estas podem estar extremamente quentes e podem queimar-lhe a pele.
9. Evite cortar fios eléctricos. Devido a choque eléctrico pode causar um acidente grave.

## GUARDE ESTAS INSTRUÇÕES.

### ⚠ AVISO:

NÃO permita que conforto ou familiaridade com o produto (adquirido com o uso repetido) substitua a aderência estrita às regras de segurança da ferramenta. **MÁ INTERPRETAÇÃO** ou não seguimento das regras de segurança estabelecidas neste manual de instruções pode causar danos pessoais sérios.

ENC007-12

## INSTRUÇÕES DE SEGURANÇA IMPORTANTES PARA A BATERIA

1. Antes de utilizar a bateria, leia todas as instruções e etiquetas de precaução no (1) carregador de bateria (2) bateria e (3) produto que utiliza a bateria.
2. Não abra a bateria.
3. Se o tempo de funcionamento se tornar excessivamente curto, pare o funcionamento imediatamente. Pode resultar em sobreaquecimento, possíveis queimaduras e mesmo explosão.
4. Se entrar eletrólito nos seus olhos, lave-os com água e consulte imediatamente um médico. Pode resultar em perda de visão.
5. Não coloque a bateria em curto-circuito:
  - (1) Não toque nos terminais com qualquer material condutor.
  - (2) Evite guardar a bateria juntamente com outros objetos metálicos tais como pregos, moedas, etc.
  - (3) Não exponha a bateria à água ou chuva.

Um curto-circuito pode ocasionar um enorme fluxo de corrente, sobreaquecimento, possíveis queimaduras e mesmo estragar-se.

6. Não guarde a ferramenta e a bateria em locais onde a temperatura pode atingir ou exceder 50°C.
7. Não queime a bateria mesmo que esteja estragada ou completamente gasta. A bateria pode explodir no fogo.
8. Tenha cuidado para não deixar cair ou dar pancadas na bateria.
9. Não utilize uma bateria danificada.

10. As baterias de íões de lítio contidas na ferramenta são sujeitas aos requisitos da DGL (Dangerous Goods Legislation - Legislação de bens perigosos).

Para o transporte comercial, por exemplo, por terceiros ou agentes de expedição, têm de ser observados os requisitos referentes à embalagem e etiquetagem.

Para preparação do artigo a ser expedido, é necessário consultar um perito em materiais perigosos. Tenha ainda em conta a possibilidade de existirem regulamentos nacionais mais detalhados.

Coloque fita-cola ou tape os contactos abertos e embale a bateria de tal forma que não possa mover-se dentro da embalagem.

11. **Siga os regulamentos locais relacionados com a eliminação de baterias.**
12. **Utilize as baterias apenas com os produtos especificados pela Makita.** Instalar as baterias em produtos não-conformes poderá resultar num incêndio, calor excessivo, explosão ou fuga de eletrólito.

## GUARDE ESTAS INSTRUÇÕES.

⚠ **PRECAUÇÃO:** Utilize apenas baterias genuínas da Makita. A utilização de baterias não genuínas da Makita ou de baterias que foram alteradas, pode resultar no rebentamento da bateria provocando incêndios, ferimentos pessoais e danos. Além disso, anulará da garantia da Makita no que se refere à ferramenta e ao carregador Makita.

### Conselhos para manter a máxima vida útil da bateria

1. Carregue a bateria antes que esteja completamente descarregada. Pare sempre o funcionamento da ferramenta e carregue a bateria quando notar menos poder na ferramenta.
2. Nunca carregue uma bateria completamente carregada. Carregamento excessivo diminui a vida útil da bateria.
3. Carregue a bateria à temperatura ambiente de 10°C - 40°C. Deixe que uma bateria quente arrefeça antes de a carregar.
4. Carregue a bateria se não a utilizar durante um longo período de tempo (mais de seis meses).

## DESCRIÇÃO FUNCIONAL

### ⚠ PRECAUÇÃO:

• Certifique-se sempre de que a ferramenta está desligada e a bateria retirada antes de regular ou verificar qualquer função na ferramenta.

### Instalar ou retirar o cartucho da bateria (Fig. 1)

### ⚠ PRECAUÇÃO:

• Desligue sempre a ferramenta antes de instalar ou retirar o cartucho da bateria.

• **Segure firmemente na ferramenta e no cartucho da bateria quando instalar ou retirar o cartucho da bateria.** Se não segurar firmemente na ferramenta e no cartucho da bateria pode dar origem a que escorreguem das suas mãos e daí resultar danos para a ferramenta e para o cartucho da bateria e ferimentos corporais.

Para retirar o cartucho da bateria, deslize-o da ferramenta enquanto desliza o botão na parte da frente do cartucho.

Para instalar o cartucho da bateria, alinhe a lingueta no cartucho da bateria com o entalhe na caixa e deslize-o para o lugar. Insira-o por completo até bloquear no lugar com um pequeno estalido. Se conseguir ver o indicador vermelho no lado superior do botão, não está bloqueado completamente.

#### ⚠ PRECAUÇÃO:

- Instale sempre o cartucho da bateria por completo até o indicador vermelho não ser visto. Se isso não acontecer, pode cair acidentalmente da ferramenta, causando-lhe ferimentos a si ou alguém perto de si.
- Não instale o cartucho da bateria fazendo força. Se o cartucho não deslizar facilmente, não está a ser inserido correctamente.

#### Sistema de protecção da bateria (Fig. 2)

A ferramenta está equipada com um sistema de protecção da bateria. Este sistema corta automaticamente a corrente ao motor para aumentar a duração da bateria.

A ferramenta pára automaticamente durante a operação se a ferramenta e/ou a bateria estiverem sujeitas a uma das seguintes condições:

- **Sobrecarga:**  
A ferramenta é operada de modo que a obriga a puxar uma corrente anormalmente elevada. Nesta situação, desligue a ferramenta e pare a aplicação que provocou a sobrecarga da ferramenta. Em seguida, ligue a ferramenta para reiniciar. Se a ferramenta não iniciar, a bateria sobreaqueceu. Nesta situação, deixe a bateria arrefecer antes de voltar a ligar a ferramenta.
- **Tensão baixa da bateria:**  
A capacidade restante da bateria é demasiada baixa e a ferramenta não funcionará. Nesta situação, retire e recarregue a bateria.

#### NOTA:

- A protecção de sobreaquecimento funciona apenas com um cartucho de bateria com uma marca de estrela.

#### Indicação da capacidade restante da bateria (Fig. 3)

##### Apenas para as baterias com o indicador

Prima o botão de verificação no cartucho da bateria para indicar a capacidade restante da bateria. As luzes indicadoras acendem durante alguns segundos.

Luzes indicadoras			Capacidade restante
Acesa	Apagada	A piscar	
			75% a 100%
			50% a 75%
			25% a 50%
			0% a 25%
			Carregue a bateria.
			A bateria pode ter tido uma avaria.

015658

#### NOTA:

- Dependendo das condições de utilização e da temperatura ambiente, a indicação pode diferir ligeiramente da capacidade real.

#### Mudança da posição da matriz (Fig. 4)

A posição do suporte da matriz pode ser mudada a 360°. Para efectuar esta mudança, proceda como se segue.

1. Desaperte a contraporca com a chave fornecida juntamente.
2. Puxe ligeiramente o suporte da matriz e rode-o para a posição desejada na qual pretende trabalhar.
3. Aperte a contraporca para prender o suporte da matriz na posição desejada.

Existem quatro paragens positivas a um ângulo de 90° cada: 0°, 90° esquerda e direita e 180°. Para posicionar a matriz em relação a qualquer destas paragens proceda como se segue:

4. Desaperte a contraporca com a chave fornecida juntamente.
5. Puxe ligeiramente o suporte da matriz e carregue suavemente enquanto o roda para a posição pretendida. O suporte da matriz travará numa das paragens positivas como pretendido.
6. Rode o suporte da matriz ligeiramente para se assegurar de que este está bem travado e na posição correcta.
7. Aperte a contraporca para prender o suporte da matriz.

#### Espessura de corte possível (Fig. 5)

A espessura da superfície a cortar depende da sua resistência. A ranhura do suporte da matriz serve como um comprovador da espessura permitida do corte. Não tente cortar material que não encaixe nesta ranhura.

#### Linha de corte

O entalhe no suporte da matriz indica a sua linha de corte. A sua largura é igual à largura de corte. Quando for efectuar o corte alinhe este entalhe com a linha de corte na peça a trabalhar.

## Acção do interruptor (Fig. 6)

### ⚠ PRECAUÇÃO:

- Antes de inserir o cartucho da bateria na ferramenta, verifique sempre para ver se o interruptor deslizante actua correctamente e regressa à posição "OFF" (desligado) quando carregar na parte traseira do interruptor deslizante.
- O interruptor pode ser bloqueado na posição "ON" (ligado) para conforto do operador durante a utilização prolongada. Tenha cuidado ao bloquear a ferramenta na posição "ON" (ligada) e segure-a com firmeza.

Para iniciar a ferramenta, deslize o interruptor deslizante para a posição "I (ON)". Para operação contínua, carregue na parte da frente do interruptor deslizante para o bloquear.

Para parar a ferramenta, carregue na parte traseira do interruptor deslizante e depois para a posição "O (OFF)".

### Luz indicadora com multifunções (Fig. 7)

As luzes indicadoras estão localizadas em duas posições.

#### - Sinal de substituição do cartucho da bateria

- Quando a carga da bateria estiver praticamente gasta durante a operação, a luz vermelha acende e a ferramenta pára imediatamente. Substitua a bateria por uma totalmente carregada quando a luz vermelha acender.

#### - Função preventiva de re-arranque acidental

- Mesmo se o cartucho da bateria estiver inserido na ferramenta com o interruptor deslizante na posição "I (ON)", a ferramenta não arranca. Nessa altura, a luz pisca lentamente e isso mostra que a função preventiva de re-arranque acidental está a funcionar.
- Para iniciar a ferramenta, primeiro deslize o interruptor deslizante para a posição "O (OFF)" e depois deslize-o para a posição "I (ON)".

## ASSEMBLAGEM

### ⚠ PRECAUÇÃO:

- Certifique-se sempre de que a ferramenta está desligada e a bateria retirada antes de executar qualquer manutenção na ferramenta.

### Remoção ou instalação do furador e da matriz (Fig. 8, 9, 10 e 11)

Substitua sempre o furador e a matriz em conjunto. Para retirar o furador e a matriz, desaperte a contraporca com a chave. Retire da máquina o suporte da matriz. Use a chave hexagonal para desapertar os pernos que prendem a matriz. Retire a matriz do suporte. Utilize a chave hexagonal para desapertar o parafuso que prende o furador. Puxe o furador para fora do seu suporte.

Para instalar o furador e a matriz, insira o furador no seu suporte de modo a que o entalhe do furador esteja virado em direcção ao parafuso. Aperte o parafuso para segurar o furador. Instale a matriz no seu suporte. Aperte os pernos para segurar a matriz.

Instale então na máquina o suporte da matriz de modo a que o furador fique instalado ao longo do orifício no suporte da matriz. Aperte a contraporca para prender o suporte da matriz. Após repor o furador e a matriz, lubrifique ambos com óleo de máquina e ponha ferramenta a funcionar durante algum tempo.

## OPERAÇÃO

### Lubrificação prévia

Coloque óleo de máquina na linha de corte para aumentar o tempo de vida útil do furador e da matriz. Isto é especialmente importante ao cortar alumínio.

### Método de corte (Fig. 12)

Segure a máquina de modo a que a cabeça de corte esteja em ângulo recto (90°) relativamente à peça que vai ser cortada. Desloque a máquina suavemente na direcção de corte.

### Recortes (Fig. 13)

Os recortes podem ser feitos abrindo primeiro um buraco redondo, superior a 21 mm de diâmetro, no qual a cabeça de corte pode ser inserida.

### Corte das folhas metálicas trapezoidais ou onduladas (Fig. 14 e 15)

Regule a posição da matriz de modo a que esta fique virada para a direcção de corte quando efectuar cortes perpendicularmente ou em ângulo relativamente às ranhuras das folhas metálicas trapezoidais ou onduladas.

Segure sempre o corpo da máquina numa posição paralela às ranhuras, com a cabeça de corte em ângulo recto (90°) relativamente à superfície de corte como indicado na figura.

## MANUTENÇÃO

### ⚠ PRECAUÇÃO:

- Certifique-se sempre que a ferramenta está desligada e o cartucho da bateria retirado antes de fazer a inspecção ou manutenção.
- Nunca utilize gasolina, benzina, diluente, álcool ou produtos semelhantes. Pode ocorrer a descoloração, deformação ou rachaduras.

### Substituição das escovas de carvão (Fig. 16, 17 e 18)

Retire e verifique regularmente as escovas de carvão. Substitua-as quando estiverem gastas até à marca limite. Mantenha as escovas de carvão limpas e a deslizar nos suportes. As duas escovas de carvão devem ser substituídas ao mesmo tempo. Só utilize escovas de carvão idênticas.

Insira a parte superior da chave de fendas no entalhe da ferramenta e retire a cobertura da tampa do suporte levantando-a.

Utilize uma chave de parafusos para retirar as tampas do porta-escovas. Retire as escovas de carvão usadas, coloque as novas e prenda as tampas dos porta-escovas.

Volte a instalar a cobertura da tampa do suporte na ferramenta.

Para manter a SEGURANÇA e FIABILIDADE, as reparações e outras acções de manutenção ou ajustes devem ser executados pelos Centros de assistência autorizados da Makita, utilizando sempre peças de substituição Makita.

**⚠ PRECAUÇÃO:**

- Estes acessórios ou peças são recomendados para utilização com a ferramenta Makita especificada neste manual. A utilização de outros acessórios ou peças pode ser perigosa para as pessoas. Utilize apenas acessórios ou peças para os fins indicados.

Se precisar de ajuda para obter mais informações relativas a estes acessórios, entre em contacto com o centro de assistência Makita local.

- Matriz
- Furador
- Chave hexagonal
- Chave 32
- Bateria e carregador genuínos da Makita

**NOTA:**

- Alguns itens da lista podem estar incluídos na embalagem da ferramenta como acessórios padrão. Eles podem variar de país para país.

ENG905-1

**Ruído**

A característica do nível de ruído A determinado de acordo com EN62841-2-8:

- Nível de pressão de som ( $L_{pA}$ ): 93 dB(A)
- Nível de potência sonora ( $L_{WA}$ ): 104 dB(A)
- Variabilidade (K): 3 dB(A)

ENG907-1

**NOTA:**

- O(s) valor(es) da emissão de ruído indicado(s) foi medido de acordo com um método de teste padrão e pode ser utilizado para comparar duas ferramentas.
- O(s) valor(es) da emissão de ruído indicado(s) pode também ser utilizado na avaliação preliminar da exposição.

**⚠ AVISO:**

- **Utilize protectores auriculares.**
- **A emissão de ruído durante a utilização real da ferramenta eléctrica pode diferir do(s) valor(es) indicado(s), dependendo das formas como a ferramenta é utilizada, especialmente o tipo de peça de trabalho que é processada.**
- **Certifique-se de identificar as medidas de segurança para protecção do operador que sejam baseadas em uma estimativa de exposição em condições reais de utilização (considerando todas as partes do ciclo de operação, tal como quando a ferramenta está desligada e quando está a funcionar em marcha lenta além do tempo de accionamento).**

ENG900-1

**Vibração**

O valor total da vibração (soma vectorial tri-axial) determinado de acordo com EN62841-2-8:

- Modo de funcionamento: cortar chapa de metal
- Emissão de vibração ( $a_{h1}$ ): 6,5 m/s<sup>2</sup>
- Variabilidade (K): 1,5 m/s<sup>2</sup>

**NOTA:**

- O(s) valor(es) total(ais) de vibração indicado(s) foi medido de acordo com um método de teste padrão e pode ser utilizado para comparar duas ferramentas.
- O(s) valor(es) total(ais) de vibração indicado(s) pode também ser utilizado na avaliação preliminar da exposição.

**⚠ AVISO:**

- **A emissão de vibração durante a utilização real da ferramenta eléctrica pode diferir do(s) valor(es) indicado(s), dependendo das formas como a ferramenta é utilizada, especialmente o tipo de peça de trabalho que é processada.**
- **Certifique-se de identificar as medidas de segurança para protecção do operador que sejam baseadas em uma estimativa de exposição em condições reais de utilização (considerando todas as partes do ciclo de operação, tal como quando a ferramenta está desligada e quando está a funcionar em marcha lenta além do tempo de accionamento).**

**DECLARAÇÃO DE CONFORMIDADE CE**

**Apenas para países europeus**

A declaração de conformidade da CE está incluída no Anexo A deste manual de instruções.

**Illustrationsoversigt**

1 Knap	12 Måler til skæring i alm. stål: 1,6 mm (1/16")	23 Set oppefra
2 Rød indikator	13 Indhak	24 Skæring i en vinkel til rillerne
3 Akku	14 Skydeknap	25 Skæring i ret vinkel til rillerne
4 Stjernemærke	15 Indikatorlampe	26 Set fra siden
5 Indikatorlamper	16 Matrice	27 Bølgeblik eller trapezblik
6 Kontrolknap	17 Bolte	28 Matricen skal stå i ret vinkel (90°) på den overflade, der skæres i.
7 Matriceholder	18 Sekskantnøgle	29 Grænsemærke
8 Låsemøtrik	19 Stempel	30 Holderdæksel
9 Løsn	20 Stempelholder	31 Skruetrækker
10 Nøgle	21 Skrue	32 Kulbørsteholderdæksel
11 Måler til skæring i rustfrit stål: 1,2 mm (3/64")	22 Stram	

**SPECIFIKATIONER**

Model		DJN161
Maks. snitkapacitet	Stål op til 400 N/mm <sup>2</sup>	1,6 mm/16 ga
	Stål op til 600 N/mm <sup>2</sup>	1,2 mm/18 ga
	Aluminium op til 200 N/mm <sup>2</sup>	2,5 mm/12 ga
Min. snitradius	Udvendig kant	50 mm
	Indvendig kant	45 mm
Slag pr. minut (min <sup>-1</sup> )		1 900
Længde i alt		313 mm
Nettovægt		1,9 – 2,3 kg
Mærkespænding		D.C. 18 V

- På grund af vores kontinuerlige forskningsprogrammer og udvikling, kan hosstående specifikationer blive ændret uden varsel.
- Specifikationer kan variere fra land til land.
- Vægten kan variere afhængigt af tilbehøret, inklusive akkuen. Den letteste og tungeste kombination, i henhold til EPTA-Procedure 01/2014, er vist i tabellen.

**Anvendelig akku og oplader**

Akku	BL1815N / BL1820 / BL1820B / BL1830 / BL1830B / BL1840 / BL1840B / BL1850 / BL1850B / BL1860B
Oplader	DC18RC / DC18RD / DC18RE / DC18SD / DC18SE / DC18SF

- Nogle af ovenstående akkuer og opladere er muligvis ikke tilgængelige, afhængigt af hvilket område du bor i.

**⚠ ADVARSEL: Du må kun anvende ovenstående akkuer og opladere.** Brug af andre akkuer og opladere kan medføre personskaade og/eller brand.

ENE037-1

Ordet "el-værktøj" i advarslerne henviser til det netforsynede (netledning) el-værktøj eller batteriforsynede (akku) el-værktøj.

**Tilsigtet anvendelse**

Maskinen er beregnet til skæring af pladestål og rustfrit pladestål.

GEA010-2

GEB028-2

**Almindelige sikkerhedsregler for el-værktøj**

**⚠ ADVARSEL! Læs alle de sikkerhedsadvarsler, instruktioner, illustrationer og specifikationer, der følger med denne maskine.** Forsømmelse af at overholde alle nedenstående instruktioner kan medføre elektrisk stød, brand og/eller alvorlig personskaade.

**Gem alle advarsler og instruktioner til fremtidig reference.**

**SIKKERHEDSADVARSLER FOR PLADESTANSER**

1. Hold godt fast på maskinen.
2. Spænd emnet godt fast.
3. Hold hænderne væk fra bevægelige dele.
4. Kanter på og spåner fra emnet er skarpe. Bær handsker. Det anbefales også, at man bærer sko med tykke såler for at undgå tilskadekomst.



5. Stil ikke maskinen oven på spåner fra emnet. De kan forårsage skade på og problemer med maskinen.
6. Lad aldrig maskinen køre uden opsyn. Anvend kun maskinen, mens den holdes i hånden.
7. Sørg altid for sikkert fodfæste.  
Kontrollér, at der ikke opholder sig personer under arbejdsstedet, når der arbejdes i højder.
8. Rør ikke ved stemplet, matricen eller arbejdsstykket umiddelbart efter anvendelse, da de kan blive ekstremt varme og være årsag til hudforbrændinger.
9. Skær ikke i elektriske ledninger. Det kan give elektrisk stød og anledning til alvorlige uheld.
10. De indbyggede litium-ion-batterier er underlagt lovkrav vedrørende farligt gods.  
Ved kommerciel transport, f.eks. af tredjeparts transportselskaber, skal særlige krav til forpakning og mærkning overholdes.  
Ved forberedelse af udstyret til forsendelse skal du kontakte en ekspert i farligt gods. Overhold også eventuel mere detaljeret national lovgivning.  
Tape eller tildæk åbne kontakter, og pak batteriet på en måde, så det ikke kan flytte sig rundt i pakningen.
11. Følg de lokale love vedrørende bortskaffelsen af batterier.
12. Brug kun batterierne med de produkter, som Makita specificerer. Hvis batterierne installeres i ikke-kompatible produkter, kan det medføre brand, kraftig varme, eksplosion eller udsivning af elektrolyt.

## GEM DENNE BRUGSANVISNING.

### ⚠ ADVARSEL:

LAD IKKE bekvemmelighed eller kendskab til produktet (opnået gennem gentagen brug) forhindre, at sikkerhedsforskrifterne for produktet nøje overholdes. MISBRUG eller forsømmelse af at følge de i denne brugsvejledning givne sikkerhedsforskrifter kan føre til, at De kommer alvorligt til skade.

ENC007-12

## VIGTIGE SIKKERHEDSINSTRUKTIONER FOR AKKUEN

1. Læs alle instruktioner og advarselmærkater på (1) akku-opladeren, (2) akkuen og (3) produktet, som anvender akku.
2. Lad være med at skille akkuen ad.
3. Hold straks op med anvendelsen, hvis brugstiden er blevet stærkt afkortet. Fortsat anvendelse kan resultere i risiko for overophedning, forbrændinger og endog eksplosion.
4. Hvis De har fået elektrolytvæske i øjnene, skal De straks skylle den ud med rent vand og derefter øjeblikkeligt søge lægehjælp. I modsat fald kan De miste synet.
5. Vær påpasselig med ikke at komme til at kortslutte akkuen:
  - (1) Rør ikke ved terminalerne med noget ledende materiale.
  - (2) Undgå at opbevare akkuen i en beholder sammen med andre genstande af metal, for eksempel søm, mønter og lignende.
  - (3) Udsæt ikke akkuen for vand eller regn.
 Kortslutning af akkuen kan forårsage en kraftig øgning af strømmen, overophedning, mulige forbrændinger og endog værktøjstop.
6. Opbevar ikke værktøjet og akkuen på et sted, hvor temperaturen kan nå eller overstige 50 °C.
7. Lad være med at brænde akkuen, selv ikke i tilfælde, hvor den har lidt alvorlig skade eller er fuldstændig udtjent. Akkuen kan eksplodere, hvis man forsøger at brænde den.
8. Lad være med at brænde akkuen eller udsætte den for stød.
9. Anvend ikke en beskadiget akku.

## GEM DENNE BRUGSANVISNING.

⚠ FORSIGTIG: Brug kun originale batterier fra Makita. Brug af uoriginale Makita-batterier, eller batterier som er blevet ændret, kan muligvis medføre brud på batteriet, hvilket kan forårsage brand, personskade eller beskadigelse. Det ugyldiggør også Makita-garantien for Makita-maskinen og opladeren.

### Tips til opnåelse af maksimal akku-levetid

1. Oplad akkuen, inden den er helt afladet. Stop altid værktøjet, og oplad akkuen, hvis De bemærker, at værktøjeffekten er aftagende.
2. Genoplad aldrig en fuldt opladet akku. Overopladning vil afkorte akkuens levetid.
3. Oplad akkuen ved stuetemperatur ved 10 °C - 40 °C. Lad altid en varm akku få tid til at køle af, inden den oplades.
4. Oplad akkuen, hvis De ikke skal bruge den i længere tid (mere end seks måneder).

## FUNKTIONSBESKRIVELSE

### ⚠ FORSIGTIG:

- Vær altid sikker på, at værktøjet er afbrudt og akkuen fjernet, inden De justerer eller kontrollerer funktionen af værktøjet.

### Montering og afmontering af akkuen (Fig. 1)

#### ⚠ FORSIGTIG:

- Sluk altid for værktøjet, inden De installerer eller fjerner akkuen.
- Hold godt fast i værktøjet og akkuen, når akkuen installeres eller fjernes. Forsømmelse af at holde maskinen og akkuen fast kan bevirke, at de glider af hænde med beskadigelse af maskinen og akkuen og tilskadekomst til følge.

For at fjerne akkuen, skal man skyde den fra værktøjet, idet man skyder knappen på forsiden af akkuen i stilling. For at installere akkuen, skal man sætte tungen på akkuen ud for rillen i huset og skyde den på plads. Sæt den hele vejen ind, så den låses på plads med et lille klik. Hvis den røde indikator på oversiden af knappen er synlig, betyder det, at den ikke er helt låst.

#### ⚠ FORSIGTIG:

- Sæt altid akkuen helt ind, så den røde indikator ikke kan ses. Hvis den ikke er sat helt ind, kan den ved et uheld falde ud af værktøjet, hvorved omkringstående eller De selv kan komme til skade.

- Sæt ikke akkuen i med magt. Hvis akkuen ikke glider nemt på plads, betyder det, at den ikke sættes korrekt i.

### Akkubeskyttelsessystem (Fig. 2)

Maskinen er udstyret med et akkubeskyttelsessystem. Dette system afbryder automatisk strømmen til motoren, så akkuens levetid forlænges.

Maskinen vil automatisk stoppe under anvendelsen, hvis maskinen og/eller akkuen er i en af de følgende tilstande:

- **Overbelastet:**  
Maskinen køres på en måde, der bevirker, at den forbruger en unormalt høj strøm.  
I denne situation skal De slukke for maskinen og stoppe den anvendelse, der førte til overbelastning af maskinen. Tænd derefter for maskinen for at starte den igen.  
Hvis maskinen ikke starter, er det fordi akkuen er overophedet. I denne situation skal De lade akkuen køle af, inden De tænder for maskinen igen.
- **Lav akku-spænding:**  
Den tilbageværende akku-kapacitet er for lav og maskinen vil ikke køre. Fjern i dette tilfælde akkuen og oplad den.

### BEMÆRK:

- Overophedningsbeskyttelsen fungerer kun med en akku med stjernemærke.

### Angivelse den tilbageværende akku-kapacitet (Fig. 3)

#### Kun for akkuer med indikatoren

Tryk på kontrolknappen på akkuen for at angive den tilbageværende akku-kapacitet. Indikatorlamperne lyser i et par sekunder.

Indikatorlamper			Tilbageværende kapacitet
Tændt	Slukket	Blinker	
			75% til 100%
			50% til 75%
			25% til 50%
			0% til 25%
			Oplad akkuen.
			Akkuen kan have fungeret forkert.

015658

### BEMÆRK:

- Afhængigt af brugsforholdene og den omgivende temperatur, kan indikeringen afvige en smule i forhold til den faktiske kapacitet.

### Ændring af matricens position (Fig. 4)

Matriceholderens position kan ændres 360°. Gå frem som følger, når den skal ændres.

1. Løsn låsemøtrikken med den medfølgende nøgle.
2. Træk matriceholderen et stykke ud og drej den til den ønskede arbejdsposition.
3. Spænd låsemøtrikken for at låse den i den ønskede position.  
Der er fire faste positioner i 90° spring: 0°, 90° venstre og højre og 180°. For at placere matricen i en af disse stoppositioner:
4. Løsn låsemøtrikken med den medfølgende nøgle.
5. Træk matriceholderen en smule ud og tryk den en smule ned, mens den drejes til den ønskede position. Matriceholderen vil falde i hak i en af de ønskede stoppositioner.
6. Drej matriceholderen en smule for at kontrollere, at den er låst i den ønskede position.
7. Spænd låsemøtrikken for at låse matriceholderen fast.

### Tilladt skæretykkelse (Fig. 5)

Tykkelsen af det materiale, der skal skæres, afhænger af selve materialets brudstyrke. Rillen på matriceholderen fungerer som måler for tykkelsen af den tilladte skæretykkelse. Forsøg ikke at skære i noget andet materiale, der ikke passer ind i denne not.

### Snitlinje

Rillen i matriceholderen viser skærelinjen. Dens bredde er lig skærebredden. Sæt rillen på linje med skærelinjen på arbejdsområdet, når der skæres.

### Afbryderanvendelse (Fig. 6)

#### ⚠ FORSIGTIG:

- Inden akkuen sættes i maskinen, skal man altid kontrollere, at skydeknappen fungerer ordentligt og returnerer til "OFF"-stillingen, når bagenden af skydeknappen trykkes ned.
- Kontakten kan låses i "ON"-stillingen for at gøre det nemmere for brugeren ved længere tids brug af maskinen. Vær forsigtig, når maskinen låses i "ON"-stillingen, og hold godt fast i maskinen.

For at starte maskinen, skal man skyde skydeknappen mod stilling "I (ON)". For kontinuerlig brug skal man trykke på forsiden af skydekontakten for at låse den.

For at stoppe maskinen, skal man trykke på bagsiden af skydekontakten og derefter trykke den mod "O (OFF)"-stillingen.

### Indikatorlampe med multifunktion (Fig. 7)

Indikatorlamperne sidder to steder.

#### - Akku-udskiftningssignal

- Når akku-effekten er næsten opbrugt under anvendelsen, vil den røde lampe lyse, og maskinen stopper øjeblikkeligt. Skift akkuen ud med en fuldt opladet akku, når den røde lampe lyser.

#### - Funktion for hindring af utilsigtet genstart

- Selv hvis akkuen sættes i maskinen med skydeknappen i "I (ON)"-stilling, vil maskinen ikke starte. På dette tidspunkt blinker lampen langsomt, hvilket viser, at funktionen for hindring af utilsigtet genstart er aktiveret.

- For at starte maskinen, skal man først skyde skydeknappen mod "O (OFF)"-stillingen og derefter skyde den mod "I (ON)"-stillingen.

## SAMLING

### FORSIGTIG:

- Sørg altid for at værktøjet er slukket, og at akkuen er taget ud, før der udføres noget arbejde på værktøjet.

### Fjernelse og installation af stemplet og matricen (Fig. 8, 9, 10 og 11)

Udskift altid stempel og matrice samtidigt. For at fjerne stemplet og matricen, skal man løse låsemøtrikken med nøglen. Fjern matriceholderen fra maskinen. Benyt unbrakonøglen til at løsne boltene, som holder matricen fast. Fjern matricen fra matriceholderen.

Løsn skruen, der holder stemplet fast, med sekskantnøglen. Træk stemplet ud af stempelholderen.

For at installere stemplet og matricen, skal man sætte stemplet ind i stempelholderen, således at rillen i stemplet vender mod skruen. Stram skruen for at fastgøre stemplet. Monter matricen på matriceholderen. Stram boltene for at fastgøre matricen.

Installer derefter matriceholderen således, at stemplet sættes ind gennem huller i matriceholderen. Spænd låsemøtrikken for at låse matriceholderen fast. Når stemplet og matricen er udskiftet, smøres de med maskinolie, og maskinen køres i et stykke tid.

## BETJENING

### Forhåndssmøring

Bestryg skærelinjen med maskinolie for at forlænge stempels og matricens levetid. Dette er særlig vigtigt, når der skæres i aluminium.

### Skæremetode (Fig. 12)

Hold maskinen således, at matricen er i en ret vinkel (90°) på det arbejdsemne, der skæres. Bevæg maskinen jævnt i skæreretningen.

### Udskæringer (Fig. 13)

Udskæringer kan laves ved at man først åbner et rundt hul med en diameter på over 21 mm, hvor matricen kan sættes ind.

### Skæring i bølgeblik eller trapezblik (Fig. 14 og 15)

Sæt matricen i en position, så den vender mod skæreretningen både når der skæres i en ret vinkel og i en vilkårlig vinkel til rillerne i bølgeblik eller trapezblik.

Hold altid maskinhuset parallelt med rillerne med matricen i en ret vinkel (90°) på skærefladen som vist på illustrationen.

## VEDLIGEHOLDELSE

### FORSIGTIG:

- Kontroller altid, at værktøjet er slået fra og at akkuen er fjernet, inden De udfører inspektion eller vedligeholdelse.
- Anvend aldrig benzin, rensebenzin, fortynder, alkohol og lignende. Resultatet kan blive misfarvning, deformation eller revner.

### Udskiftning af kulbørsterne (Fig. 16, 17 og 18)

Tag kulbørsterne ud og efterse dem med jævn mellemrum. Skift dem ud, når de er slidt ned til græsemærket. Hold kulbørsterne rene og i stand til frit at glide ind i holderne. Begge kulbørster skal udskiftes samtidigt. Anvend kun identiske kulbørster.

Sæt den øverste ende af en kærvskruetrækker ind i rillen på maskinen og fjern holderdækslet ved at løfte det op.

Benyt en skruetrækker til at afmontere kulbørsteholderdækslerne. Tag de slidte kulbørster ud, sæt de nye i, og fastgør derefter kulbørsteholderdækslerne.

Sæt holderdækslet tilbage på plads på maskinen. For at opretholde produktets SIKKERHED og PÅLIDELIGHED bør reparation, vedligeholdelse og justering kun udføres af et Makita Service Center med anvendelse af original Makita udskiftningsdele.

## EKSTRAUDSTYR

### FORSIGTIG:

- Det følgende tilbehør og ekstraudstyr er anbefalet til brug med Deres Makita værktøjet, der er beskrevet i denne brugsanvisning. Anvendelse af andet tilbehør eller ekstraudstyr kan udgøre en risiko for personskade. Anvend kun tilbehør og ekstraudstyr til det beskrevne formål.

Hvis De har behov for yderligere detaljer om dette tilbehør, bedes De kontakte Deres lokale Makita Service Center.

- Matrice
- Stempel
- Sekskantnøgle
- Nøgle 32
- Original Makita-akku og oplader

### BEMÆRK:

- Nogle ting på denne liste kan være inkluderet i værktøjsspakken som standardtilbehør. Det kan være forskelligt fra land til land.

ENG905-1

### Lyd

Det typiske A-vægtede støjniveau bestemt i overensstemmelse med EN62841-2-8:

- Lydtryksniveau ( $L_{pA}$ ): 93 dB(A)
- Lydeffektniveau ( $L_{WA}$ ): 104 dB(A)
- Usikkerhed (K): 3 dB(A)

ENG907-1

### BEMÆRK:

- De(n) angivne støjemissionsværdi(er) er målt i overensstemmelse med en standardtestmetode og kan anvendes til at sammenligne en maskine med en anden.
- De(n) angivne støjemissionsværdi(er) kan også anvendes i en præliminær eksponeringsvurdering.

### ADVARSEL:

- Bær høreværn.
- Støjemissionen under den faktiske anvendelse af maskinen kan være forskellig fra de(n) angivne værdi(er), afhængigt af den måde hvorpå maskinen anvendes, især den type arbejdsemne der behandles.
- Sørg for at identificere de sikkerhedsforskrifter til beskyttelse af operatøren, som er baseret på en vurdering af eksponering under de faktiske brugsforhold (med hensyntagen til alle dele i brugsacyklussen, f.eks. de gange, hvor maskinen er slukket, og når den kører i tomgang i tilgift til afbrydertiden).

**Vibration**

Vibrations totalværdi (tre-aksial vektorsum) bestemt i overensstemmelse med EN62841-2-8:

Arbejdsindstilling: klipning af plademetal

Vibrationsafgivelse ( $a_w$ ):  $6,5 \text{ m/s}^2$

Usikkerhed (K):  $1,5 \text{ m/s}^2$

**BEMÆRK:**

- De(n) angivne totalværdi(er) for vibration er målt i overensstemmelse med en standardtestmetode og kan anvendes til at sammenligne en maskine med en anden.
- De(n) angivne totalværdi(er) for vibration kan også anvendes i en præliminær eksponeringsvurdering.

**⚠ ADVARSEL:**

- **Vibrationsemissionen under den faktiske anvendelse af maskinen kan være forskellig fra de(n) angivne værdi(er), afhængigt af den måde hvorpå maskinen anvendes, især den type arbejdsemne der behandles.**
- **Sørg for at identificere de sikkerhedsforskrifter til beskyttelse af operatøren, som er baseret på en vurdering af eksponering under de faktiske brugsforhold (med hensyntagen til alle dele i brugscyklussen, f.eks. de gange, hvor maskinen er slukket, og når den kører i tomgang i tilgift til afbrydertiden).**

**EF-KONFORMITETSERKLÆRING****Kun for lande i Europa**

EF-konformitetserklæringen er inkluderet som Tillæg A til denne instruktionsvejledning.

**Περιγραφή γενικής άποψης**

1 Κουμπί	12 Μετρητής για μαλακό ατσάλι: 1,6 mm (1/16")	24 Κοπή γωνιακά με τις αύλακες
2 Κόκκινη ένδειξη	13 Εγκοπή	25 Κοπή κάθετα με τις αύλακες
3 Κασέτα μπαταρίας	14 Κυλιόμενος διακόπτης	26 Πλευρική όψη
4 Ένδειξη αστεριού	15 Ενδεικτική λυχνία	27 Κυματοειδής ή τραπεζοειδής λαμαρίνα
5 Ενδεικτικές λυχνίες	16 Ελικωτήρας	28 Η κοπτική κεφαλή να είναι ορθογώνια (90°) στην επιφάνεια που θα κοπεί.
6 Κουμπί ελέγχου	17 Μπουλόνια	29 Σημάδι ορίου
7 Στήριγμα ελικωτήρα	18 Εξαγωνικό κλειδί	30 Κάλυμμα κατακτιού στήριγματος
8 Παξιμάδι ασφάλισης	19 Εγκρουστήρας	31 Κατσαβίδι
9 Χαλάρωμα	20 Στήριγμα εγκρουστήρα	32 Καπάκι θήκης καρβονακίου
10 Κλειδί	21 Βίδα	
11 Μετρητής για ανοξείδωτο ατσάλι: 1,2 mm (3/64")	22 Σφιξίτε	
	23 Κάτοψη	

**ΤΕΧΝΙΚΑ ΧΑΡΑΚΤΗΡΙΣΤΙΚΑ**

Μοντέλο		DJN161
Μέγ. ικανότητες κοπής	Ατσάλι μέχρι 400 N/mm <sup>2</sup>	1,6 χιλ/16 ga
	Ατσάλι μέχρι 600 N/mm <sup>2</sup>	1,2 χιλ/18 ga
	Αλουμίνιο μέχρι 200 N/mm <sup>2</sup>	2,5 χιλ/12 ga
Ελάχιστη ακτίνα κοπής	Εξωτερική ακμή	50 χιλ
	Εσωτερική ακμή	45 χιλ
Διαδρομές ανά λεπτό (λεπ <sup>-1</sup> )		1.900
Συνολικό μήκος		313 χιλ
Καθαρό βάρος		1,9 – 2,3 Χγρ
Ονομαστική τάση		D.C. 18 V

- Λόγω του συνεχόμενου προγράμματος που εφαρμόζουμε για έρευνα και ανάπτυξη, τα τεχνικά χαρακτηριστικά στο παρόν έντυπο υπόκεινται σε αλλαγή χωρίς προειδοποίηση.
- Τα τεχνικά χαρακτηριστικά μπορεί να διαφέρουν από χώρα σε χώρα.
- Το βάρος μπορεί να διαφέρει ανάλογα με το(α) εξάρτημα(τα), συμπεριλαμβανομένης της κασέτας μπαταριών. Ο ελαφρύτερος και βαρύτερος συνδυασμός, σύμφωνα με τη διαδικασία EPTA 01/2014, παρουσιάζονται στον πίνακα.

**Ισχύουσα κασέτα μπαταρίας και φορτιστής**

Κασέτα μπαταρίας	BL1815N / BL1820 / BL1820B / BL1830 / BL1830B / BL1840 / BL1840B / BL1850 / BL1850B / BL1860B
Φορτιστής	DC18RC / DC18RD / DC18RE / DC18SD / DC18SE / DC18SF

- Μερικές από τις κασέτες μπαταρίας και φορτιστές που παρατίθενται ανωτέρω μπορεί να μην διατίθενται ανάλογα με την περιοχή κατοικίας σας.

**⚠ ΠΡΟΕΙΔΟΠΟΙΗΣΗ:** Να χρησιμοποιείτε μόνο τις κασέτες μπαταρίας και φορτιστές που παρατίθενται ανωτέρω. Η χρήση οποιωνδήποτε άλλων κασετών μπαταρίας και φορτιστών μπορεί να προκαλέσει τραυματισμό ή/και πυρκαγιά.

**Προοριζόμενη χρήση**

Το μηχάνημα προορίζεται για την κοπή ατσαλολαμαρίνας και ανοξείδωτης ατσαλολαμαρίνας.

ENE037-1

**Φυλάξτε όλες τις προειδοποιήσεις και τις οδηγίες για μελλοντική παραπομπή.**

Στις προειδοποιήσεις, ο όρος "ηλεκτρικό εργαλείο" αναφέρεται σε ηλεκτρικό εργαλείο που τροφοδοτείται από την κύρια παροχή ηλεκτρικού ρεύματος (με ηλεκτρικό καλώδιο) ή σε ηλεκτρικό εργαλείο που τροφοδοτείται από μπαταρία (χωρίς ηλεκτρικό καλώδιο).

GEA010-2

**Γενικές προειδοποιήσεις ασφαλείας για το ηλεκτρικό εργαλείο**

**⚠ ΠΡΟΕΙΔΟΠΟΙΗΣΗ** Διαβάστε όλες τις προειδοποιήσεις ασφαλείας, οδηγίες, εικονογραφίες και προδιαγραφές που παρέχονται με αυτό το ηλεκτρικό εργαλείο. Η μη τήρηση όλων των οδηγιών που αναγράφονται κατωτέρω μπορεί να καταλήξει σε ηλεκτροπληξία, πυρκαγιά ή/και σοβαρό τραυματισμό.

GE028-2

**ΠΡΟΕΙΔΟΠΟΙΗΣΕΙΣ ΑΣΦΑΛΕΙΑΣ ΓΙΑ ΤΟ ΖΟΥΜΠΟΨΑΛΙΔΟ**

1. Κρατάτε το μηχάνημα σταθερά.
2. Ασφαλίστε το κομμάτι εργασίας καλά.

3. Κρατάτε τα χέρια σας μακριά από κινούμενα μέρη.
4. Αιχμές και πριονίδια από το κομμάτι εργασίας είναι αιχμηρά. Φοράτε γάντια. Ακόμη συνιστάτε να φοράτε παπούτσια με παχιές σόλες για να αποφεύγετε κάποιο τραυματισμό.
5. Μην αφήνετε το μηχάνημα πάνω στα πριονίδια του κομματιού. Αλλιώς μπορεί να προκληθεί ζημιά στο μηχάνημα.
6. Μην αφήνετε το μηχάνημα να λειτουργεί. Χρησιμοποιείτε το μηχάνημα μόνο όταν το κρατάτε.
7. Πάντοτε να πατάτε καλά.  
Να είστε σίγουροι ότι κανείς δεν βρίσκεται από κάτω σας όταν χρησιμοποιείτε το μηχάνημα σε υψηλές θέσεις.
8. Μην αγγίζετε τον εγκρουστήρα, τον ελικωτήρα ή το τεμάχιο εργασίας αμέσως μετά από την ολοκλήρωση της εργασίας, ενδέχεται να είναι εξαιρετικά θερμά και να προκαλέσουν έγκαυμα στο δέρμα σας.
9. Αποφεύγετε να κόβετε ηλεκτρικά καλώδια. Μπορεί να προκαλέσει σοβαρή ηλεκτροπληξία.

### ΦΥΛΑΞΤΕ ΤΙΣ ΟΔΗΓΙΕΣ ΑΥΤΕΣ.

#### ⚠️ ΠΡΟΕΙΔΟΠΟΙΗΣΗ:

**ΜΗΝ επιτρέψετε στην άνεση ή στην εξοικειωσή σας με το προϊόν (που αποκτήθηκε από επανειλημμένη χρήση) να αντικαταστήσει την αυστηρή τήρηση των κανόνων ασφαλείας του παρόντος εργαλείου. ΚΑΚΗ ΧΡΗΣΗ ή αμέλεια να ακολουθήσετε τους κανόνες ασφαλείας που διατυπώνονται σ'αυτό το εγχειρίδιο οδηγιών μπορεί να προκαλέσει σοβαρό προσωπικό τραυματισμό.**

ENC007-12

### ΣΗΜΑΝΤΙΚΕΣ ΟΔΗΓΙΕΣ ΑΣΦΑΛΕΙΑΣ ΓΙΑ ΚΑΣΕΤΑ ΜΠΑΤΑΡΙΩΝ

1. Πριν χρησιμοποιήσετε την κασέτα μπαταριών, διαβάστε όλες τις οδηγίες και σημειώσεις προφύλαξης (1) στον φορτιστή μπαταριών, (2) στην μπαταρία και (3) στο προϊόν που χρησιμοποιεί την μπαταρία.
2. Μην αποσυναρμολογήσετε την κασέτα μπαταριών.
3. Εάν ο χρόνος λειτουργίας έχει γίνει υπερβολικά βραχύς, σταματήστε τη λειτουργία αμέσως. Αλλιώς, μπορεί να έχει ως αποτέλεσμα κίνδυνο υπερθέρμανσης, πιθανά εγκαύματα ή ακόμη και έκρηξη.
4. Εάν ηλεκτρολύτης μπει στα μάτια σας, ξεπλύνετε τα με καθαρό νερό και ζητήστε ιατρική φροντίδα αμέσως. Αλλιώς, μπορεί να έχει ως αποτέλεσμα απώλεια της όρασης σας.
5. Μη βραχυκυκλώνετε την κασέτα μπαταριών:
  - (1) Μην αγγίζετε τους πόλους με οτιδήποτε αγώγιμο υλικό.
  - (2) Αποφεύγετε να αποθηκεύετε την κασέτα μπαταριών μέσα σε ένα δοχείο μαζί με άλλα μεταλλικά αντικείμενα όπως καρφιά, νομίσματα, κλπ.
  - (3) Μην εκθέτετε την κασέτα μπαταριών στο νερό ή στη βροχή.

Ένα βραχυκύκλωμα μπαταρίας μπορεί να προκαλέσει μεγάλη ροή ρεύματος, υπερθέρμανση, πιθανά εγκαύματα ακόμη και σοβαρή βλάβη.

6. Μην αποθηκεύετε το εργαλείο και την κασέτα μπαταριών σε τοποθεσίες όπου η θερμοκρασία μπορεί να φτάσει ή να ξεπεράσει τους 50°C.
7. Μην καίτε την κασέτα μπαταριών ακόμη και εάν έχει σοβαρή ζημιά ή είναι εντελώς φθαρμένη. Η κασέτα μπαταριών μπορεί να εκραγεί στη φωτιά.
8. Προσέχετε να μη ριζίτε κάτω ούτε να χτυπήσετε την μπαταρία.
9. Μη χρησιμοποιείτε μπαταρία που έχει υποστεί ζημιά.
10. Οι μπαταρίες ιόντων λιθίου που περιέχονται υπόκεινται στις απαιτήσεις της νομοθεσίας για επικίνδυνα αγαθά.

Για εμπορικές μεταφορές, για παράδειγμα από τρίτα μέρη, πρέπει να τηρούνται οι διαμεταφορές, οι ειδικές απαιτήσεις στη συσκευασία και η επισήμανση.

Για προετοιμασία του στοιχείου που αποστέλλεται, είναι απαραίτητο να συμβουλευτείτε έναν ειδικό για επικίνδυνα υλικά. Επίσης, τηρήστε τους πιθανούς, πιο αναλυτικούς εθνικούς κανονισμούς.

Καλύψτε με αυτοκόλλητη ταινία ή κρύψτε τις ανοικτές επαφές και συσκευάστε την μπαταρία με τρόπο που να μην μπορεί να μετακινείται μέσα στη συσκευασία.

11. Τηρήστε τους τοπικούς κανονισμούς που σχετίζονται με τη διάθεση της μπαταρίας.
12. Χρησιμοποιήστε τις μπαταρίες μόνο με τα προϊόντα που καθορίζει η Makita. Αν τοποθετήσετε τις μπαταρίες σε μη συμβατά προϊόντα μπορεί να έχει ως αποτέλεσμα πυρκαγιά, υπερβολική θερμότητα, έκρηξη ή διαρροή ηλεκτρολύτη.

### ΦΥΛΑΞΤΕ ΤΙΣ ΟΔΗΓΙΕΣ ΑΥΤΕΣ.

⚠️ ΠΡΟΣΟΧΗ: Να χρησιμοποιείτε μόνο γνήσιες μπαταρίες της Makita. Η χρήση μη γνήσιων μπαταριών Makita, ή μπαταριών που έχουν τροποποιηθεί, μπορεί να έχει ως αποτέλεσμα τη ρήξη της μπαταρίας, προκαλώντας πυρκαγιά, προσωπικό τραυματισμό και βλάβη. Επίσης, θα ακυρωθεί η εγγύηση της Makita για το εργαλείο και φορτιστή Makita.

### Συμβουλές για τη διατήρηση της μέγιστης ζωής μπαταρίας

1. Φορτίζετε την κασέτα μπαταριών πριν από την πλήρη αποφόρτισή της. Πάντοτε να σταματάτε τη λειτουργία του εργαλείου και να φορτίζετε την κασέτα μπαταριών όταν παρατηρείτε μειωμένη ισχύ εργαλείου.
2. Ποτέ μην επαναφορτίζετε μια πλήρως φορτισμένη κασέτα μπαταριών. Η υπερφόρτιση μειώνει την ωφέλιμη ζωή της μπαταρίας.
3. Να φορτίζετε την κασέτα μπαταριών σε θερμοκρασία δωματίου, δηλαδή στους 10°C έως 40°C. Αφήστε μια θερμή κασέτα μπαταριών να κρυσώσει πριν την φορτίσετε.
4. Να φορτίζετε την κασέτα μπαταριών εάν δεν τη χρησιμοποιείτε για μεγάλη χρονική περίοδο (περισσότερο από έξι μήνες).

## ΠΕΡΙΓΡΑΦΗ ΛΕΙΤΟΥΡΓΙΑΣ

### ⚠ ΠΡΟΣΟΧΗ:

- Να φροντίζετε πάντα για την απενεργοποίηση του εργαλείου και την αφαίρεση της κασέτας μπαταρίας, πριν από οποιαδήποτε ρύθμιση ή έλεγχο της λειτουργίας του.

### Τοποθέτηση ή αφαίρεση της κασέτας μπαταρίας (Εικ. 1)

#### ⚠ ΠΡΟΣΟΧΗ:

- Πάντοτε να σβήνετε το εργαλείο πριν τοποθετήσετε ή αφαιρέσετε την κασέτα μπαταρίας.
- **Κρατήστε το εργαλείο και την κασέτα μπαταρίας σταθερά κατά την τοποθέτηση ή αφαίρεση της κασέτας μπαταρίας.** Αν δεν κρατάτε το εργαλείο και την κασέτα μπαταρίας σταθερά μπορεί γλιστρήσουν από τα χέρια σας και να προκληθεί βλάβη στο εργαλείο και την κασέτα μπαταρίας και προσωπικός τραυματισμός.

Για να αφαιρέσετε την κασέτα μπαταρίας, ολισθήστε την από το εργαλείο ενώ σύρετε το κουμπί στο μπροστινό μέρος της κασέτας.

Για να τοποθετήσετε την κασέτα μπαταρίας, ευθυγραμμίστε τη γλώσσα στην κασέτα μπαταρίας με την αύλακα στην υποδοχή και ολισθήστε τη στη θέση της. Να την τοποθετείτε πλήρως μέχρι να ασφαλίσει στη θέση της, γεγονός που υποδεικνύεται με ένα χαρακτηριστικό ήχο. Αν μπορείτε να δείτε την κόκκινη ένδειξη στην επάνω πλευρά του κουμπιού, δεν έχει κλειδώσει τελείως.

#### ⚠ ΠΡΟΣΟΧΗ:

- Να τοποθετείτε πάντα την κασέτα μπαταρίας πλήρως μέχρι να μην βλέπετε την κόκκινη ένδειξη. Σε αντίθετη περίπτωση, μπορεί να πέσει κατά λάθος από το εργαλείο και να τραυματίσει εσάς ή κάποιον παρευρισκόμενο.
- Μην τοποθετείτε την κασέτα μπαταρίας με βία. Αν η κασέτα δεν εισέρχεται με ευκολία, δεν είναι τοποθετημένη σωστά.

### Σύστημα προστασίας μπαταρίας (Εικ. 2)

Το εργαλείο είναι εξοπλισμένο με σύστημα προστασίας της μπαταρίας. Αυτό το σύστημα αποκόπτει αυτόματα την ισχύ προς το μοτέρ για να παραταθεί η διάρκεια λειτουργίας της μπαταρίας.

Το εργαλείο σταματάει αυτόματα κατά τη διάρκεια της λειτουργίας αν το εργαλείο ή/και η μπαταρία βρεθούν κάτω από τις παρακάτω συνθήκες:

- Υπερφόρτωση:  
Το εργαλείο λειτουργεί με τρόπο ώστε να αναγκάζεται να καταναλώνει ασυνήθιστα υψηλό ρεύμα. Σε αυτή την περίπτωση, απενεργοποιήστε το εργαλείο και διακόψτε την εφαρμογή που προκάλεσε την υπερφόρτωση του εργαλείου. Μετά, ενεργοποιήστε το για να ξεκινήσετε ξανά.  
Αν το εργαλείο δεν ξεκινάει, η μπαταρία έχει υπερθερμανθεί. Σε αυτή την κατάσταση, αφήστε την μπαταρία να ψυχθεί πριν ενεργοποιήσετε ξανά το εργαλείο.
- Χαμηλή τάση μπαταρίας:  
Η υπόλοιπη χωρητικότητα μπαταρίας είναι πολύ χαμηλή και το εργαλείο δεν λειτουργεί. Σε αυτή την κατάσταση, αφαιρέστε και επαναφορτίστε την μπαταρία.















#### ΠΑΡΑΤΗΡΗΣΗ:

- Η προστασία υπερθέρμανσης λειτουργεί μόνο με κασέτα μπαταρίας με ένδειξη αστεριού.

## Ένδειξη της υπόλοιπης χωρητικότητας της μπαταρίας (Εικ. 3)

### Μόνο για κασέτες μπαταριών με την ένδειξη

Πίστετε το κουμπί ελέγχου στην κασέτα μπαταρίας για να υποδείξετε την υπόλοιπη χωρητικότητα της μπαταρίας. Οι ενδεικτικές λυχνίες ανάβουν για λίγα δευτερόλεπτα.

Ενδεικτικές λυχνίες			Υπόλοιπη χωρητικότητα
 Αναμμένες	 Σβηστές	 Αναβο-σβήνει	
			75% έως 100%
			50% έως 75%
			25% έως 50%
			0% έως 25%
			Φορτίστε την μπαταρία.
			Μπορεί να προέκυψε δυσλειτουργία στην μπαταρία.
			

015658

#### ΠΑΡΑΤΗΡΗΣΗ:

- Ανάλογα με τις συνθήκες χρήσης και τη θερμοκρασία περιβάλλοντος, η ένδειξη μπορεί να διαφέρει λίγο από την πραγματική χωρητικότητα.

### Αλλαγή της θέσης ελικωτήρα (Εικ. 4)

Η θέση του στηρίγματος ελικωτήρα μπορεί να αλλάξει κατά 360°. Για να την αλλάξετε, συνεχίστε όπως περιγράφεται στη συνέχεια.

1. Χαλαρώστε το παξιμάδι ασφάλισης με το κλειδί που παρέχεται.
2. Τραβήξτε λίγο το στηρίγμα ελικωτήρα και περιστρέψτε το στην επιθυμητή θέση για λειτουργία.
3. Σφίξτε το παξιμάδι ασφάλισης για να ασφαλίσετε το στηρίγμα ελικωτήρα στην επιθυμητή θέση.  
Υπάρχουν τέσσερα θετικά στοπ σε κάθε 90°: 0°, 90° αριστερά και δεξιά και 180°. Για να τοποθετήσετε τον ελικωτήρα σε οποιοδήποτε από αυτά τα θετικά στοπ:
4. Χαλαρώστε το παξιμάδι ασφάλισης με το κλειδί που παρέχεται.
5. Τραβήξτε λίγο το στηρίγμα ελικωτήρα και πατήστε ελαφρά ενώ το περιστρέψετε στην επιθυμητή θέση. Το στηρίγμα ελικωτήρα θα ασφαλίσει σε μία από τις θέσεις θετικού στοπ, όπως επιθυμείτε.
6. Περιστρέψτε λίγο το στηρίγμα ελικωτήρα για να βεβαιωθείτε ότι έχει ασφαλίσει θετικά στη θέση του.
7. Σφίξτε το παξιμάδι ασφάλισης για να ασφαλίσετε το στηρίγμα ελικωτήρα.

### Επιτρεπτό πάχος κοπής (Εικ. 5)

Το πάχος του υλικού που θα κοπεί εξαρτάται από την εκτακτική δύναμη του ίδιου του υλικού. Η αύλακα στο στηρίγμα ελικωτήρα ενεργεί ως μετρητής πάχους για το επιτρεπτό πάχος κοπής. Μην επιχειρήσετε να κόψετε οποιοδήποτε υλικό δεν ταιριάζει σε αυτή την αύλακα.

## Γραμμή κοπής

Η εγκοπή στο στήριγμα ελικωτήρα υποδεικνύει τη γραμμή κοπής. Το πλάτος της είναι ίσο με το πλάτος κοπής. Κατά την κοπή, ευθυγραμμίστε την εγκοπή με τη γραμμή κοπής στο τεμάχιο εργασίας.

## Λειτουργία διακόπτη (Εικ. 6)

### ⚠ ΠΡΟΣΟΧΗ:

- Πριν βάλετε την μπαταρία στο εργαλείο, να ελέγχετε πάντοτε ότι ο κυλιόμενος διακόπτης ενεργοποιείται σωστά και επιστρέφει στη θέση "OFF" όταν πιέζετε το πίσω μέρος του κυλιόμενου διακόπτη.
- Ο διακόπτης μπορεί να ασφαλιστεί στη θέση "ON" προς διευκόλυνση του χειριστή στη διάρκεια παρατεταμένης χρήσης. Να είστε προσεκτικοί όταν ασφαλίσετε το εργαλείο στη θέση "ON" και να κρατάτε το εργαλείο σταθερά.

Για να ξεκινήσετε τη λειτουργία του εργαλείου, ολισθήστε τον κυλιόμενο διακόπτη στη θέση "I (ON)". Για συνεχή λειτουργία, πιέστε το μπροστινό μέρος του κυλιόμενου διακόπτη για να τον ασφαλίσετε.

Για να σταματήσει το εργαλείο, πιέστε το πίσω μέρος του κυλιόμενου διακόπτη και κατόπιν ολισθήστε τον στη θέση "O (OFF)".

## Ενδεικτική λυχνία με πολλαπλή λειτουργία (Εικ. 7)

Οι ενδεικτικές λυχνίες είναι τοποθετημένες σε δύο θέσεις.

### Σήμα αλλαγής μπαταρίας

- Όταν η ενέργεια της μπαταρίας έχει σχεδόν εξαντληθεί κατά τη λειτουργία, ανάβει η κόκκινη λυχνία και διακόπεται αμέσως η λειτουργία του εργαλείου. Όταν ανάψει η κόκκινη λυχνία, αντικαταστήστε την μπαταρία με μια πλήρως φορτισμένη μπαταρία.

### Λειτουργία αποφυγής τυχαίας επανεκκίνησης

- Ακόμα κι αν η μπαταρία έχει τοποθετηθεί στο εργαλείο και ο κυλιόμενος διακόπτης βρίσκεται στη θέση "I (ON)", η λειτουργία του εργαλείου δεν ξεκινά. Τώρα, η ενδεικτική λυχνία αναβοσβήνει αργά και αυτό σημαίνει ότι η λειτουργία αποφυγής τυχαίας εκκίνησης είναι σε λειτουργία.
- Για να ξεκινήσετε τη λειτουργία του εργαλείου, πρώτα ολισθήστε τον κυλιόμενο διακόπτη στη θέση "O (OFF)" και κατόπιν ολισθήστε τον στη θέση "I (ON)".

## ΣΥΝΑΡΜΟΛΟΓΗΣΗ

### ⚠ ΠΡΟΣΟΧΗ:

Πάντοτε βεβαιώνετε ότι το εργαλείο είναι σβηστό και η κασέτα μπαταρίας έχει αφαιρεθεί πριν εκτελέσετε κάποια εργασία στο εργαλείο.

## Αφαίρεση ή τοποθέτηση του εγκρουστήρα και ελικωτήρα (Εικ. 8, 9, 10 και 11)

Να αντικαθιστάτε τον εγκρουστήρα και το ελικωτήρα ως σύνολο. Για να αφαιρέσετε τον εγκρουστήρα και ελικωτήρα, χαλαρώστε το παξιμάδι ασφάλισης με το κλειδί. Αφαιρέστε το στήριγμα ελικωτήρα από το εργαλείο. Χρησιμοποιήστε το εξαγωνικό κλειδί για να χαλαρώσετε τα μπουλόνια που ασφαλίζουν τον ελικωτήρα. Αφαιρέστε τον ελικωτήρα από το στήριγμα ελικωτήρα.

Χρησιμοποιήστε το εξαγωνικό κλειδί για να χαλαρώσετε τη βίδα που ασφαλίζει τον εγκρουστήρα. Τραβήξτε τον εγκρουστήρα από το στήριγμα εγκρουστήρα.

Για να τοποθετήσετε τον εγκρουστήρα και ελικωτήρα, εισάγετε τον εγκρουστήρα στο στήριγμα εγκρουστήρα ώστε η εγκοπή στον εγκρουστήρα να είναι στραμμένη προς τη βίδα. Σφίξτε τη βίδα για να ασφαλίσετε τον εγκρουστήρα. Τοποθετήστε τον ελικωτήρα από το στήριγμα ελικωτήρα. Σφίξτε τα μπουλόνια για να ασφαλίσετε τον ελικωτήρα.

Μετά, τοποθετήστε το στήριγμα ελικωτήρα στο εργαλείο ώστε ο εγκρουστήρας να έχει εισαχθεί μέσα από την οπή στο στήριγμα ελικωτήρα. Σφίξτε το παξιμάδι ασφάλισης για να ασφαλίσετε το στήριγμα ελικωτήρα. Αφού τοποθετήσετε ξανά τον εγκρουστήρα και ελικωτήρα, λιπάνετε τα με λάδι μηχανής και θέστε το εργαλείο σε λειτουργία για λίγο.

## ΛΕΙΤΟΥΡΓΙΑ

### Προλίπανση

Επικάλυψτε τη γραμμή κοπής με λάδι μηχανής για να αυξήσετε τη διάρκεια ζωής λειτουργίας του εγκρουστήρα και ελικωτήρα. Αυτό είναι ιδιαίτερα σημαντικό όταν κόβετε αλουμίνιο.

### Μέθοδος κοπής (Εικ. 12)

Κρατήστε το εργαλείο ώστε η κοπτική κεφαλή να βρίσκεται σε ορθή γωνία (90°) με το τεμάχιο εργασίας που θα κοπεί. Μετακινήστε το εργαλείο σιγά προς την κατεύθυνση κοπής.

### Αποκοπές (Εικ. 13)

Μπορείτε να δημιουργήσετε αποκοπές αν πρώτα ανοίξετε μια στρογγυλή οπή με διάμετρο άνω των 21 χιλιοστών, μέσα στην οποία μπορείτε να τοποθετήσετε την κοπτική κεφαλή.

### Κοπή κυματοειδών ή τραπεζοειδών λαμαρινών (Εικ. 14 και 15)

Τοποθετήστε τη θέση ελικωτήρα με τρόπο ώστε να είναι στραμμένη προς την κατεύθυνση κοπής, όταν γίνεται κοπή σε γωνία ή κάθετα στις εγκοπές σε κυματοειδείς ή τραπεζοειδείς λαμαρίνες.

Να κρατάτε πάντα το βασικό τμήμα του εργαλείου παράλληλα προς τις εγκοπές, με την κοπτική κεφαλή σε ορθή γωνία (90°) ως προς την επιφάνεια κοπής, όπως απεικονίζεται στην εικόνα.

## ΣΥΝΤΗΡΗΣΗ

### ⚠ ΠΡΟΣΟΧΗ:

- Να φροντίζετε πάντα για την απενεργοποίηση του εργαλείου και την αφαίρεση της κασέτας μπαταρίας πριν επιχειρήσετε οποιοδήποτε έλεγχο ή συντήρηση του εργαλείου.
- Μην χρησιμοποιείτε ποτέ βενζίνη, πετρελαϊκό αιθέρα, διαλυτικό, αλκοόλη ή παρόμοιες ουσίες. Ενδέχεται να προκληθεί αποχρωματισμός παραμόρφωση ή ρωγμές.

### Αντικατάσταση των καρβουνακίων (Εικ. 16, 17 και 18)

Αφαιρείτε και ελέγχετε τα καρβουνάκια τακτικά. Αντικαθιστάτε όταν φθαρούν μέχρι το σημάδι ορίου. Διατηρείτε τα καρβουνάκια καθαρά και ελεύθερα να γλιστρούν στις θήκες. Και τα δύο καρβουνάκια πρέπει να αντικαθίστανται ταυτόχρονα. Χρησιμοποιείτε μόνο καρβουνάκια ίδιου τύπου.

Τοποθετήστε την άκρη ενός πλακέ κατασβιδιού μέσα στην εγκοπή του εργαλείου και σηκώστε το κάλυμμα κατακίου στρίγματος για να το βγάλετε.



Χρησιμοποιήστε ένα καταβιβί για να αφαιρέσετε τα καπάκια των θηκών καρβονακίων. Βγάλτε τα φθαρμένα καρβονάκια, τοποθετήστε τα νέα και ασφαλίστε τα καπάκια των θηκών καρβονακίων.

Τοποθετήστε ξανά το κάλυμμα κατακίου στηρίγματος στο εργαλείο.

Για την διατήρηση της ΑΣΦΑΛΕΙΑΣ και ΑΞΙΟΠΙΣΤΙΑΣ του προϊόντος, επισκευές, οποιαδήποτε άλλη συντήρηση ή ρύθμιση πρέπει να εκτελούνται από τα Εξουσιοδοτημένα Κέντρα Εξυπηρέτησης της Makita, με χρήση πάντοτε ανταλλακτικών Makita.

## ΠΡΟΑΙΡΕΤΙΚΑ ΕΞΑΡΤΗΜΑΤΑ

### ΠΡΟΣΟΧΗ:

• Αυτά τα ανταλλακτικά ή προσαρτήματα συνιστώνται για χρήση με το εργαλείο σας της Makita που περιγράφεται στο εγχειρίδιο αυτό. Η χρήση οτιδήποτε άλλων ανταλλακτικών ή προσαρτημάτων μπορεί να παρουσιάσουν κίνδυνο τραυματισμού σε άτομα. Χρησιμοποιήστε ανταλλακτικά ή προσαρτήματα μόνο για τον καθορισμένο σκοπό.

Εάν χρειάζεστε βοήθεια ή περισσότερες λεπτομέρειες σε σχέση με αυτά τα ανταλλακτικά, ρωτήστε το τοπικό σας Κέντρο Εξυπηρέτησης της Makita.

- Ελικωτήρας
- Εγκροστήρας
- Εξαγωνικό κλειδί
- Κλειδί 32
- Γνήσια μπαταρία και φορτιστής της Makita

### ΠΑΡΑΤΗΡΗΣΗ:

• Μερικά στοιχεία στη λίστα μπορεί να συμπεριλαμβάνονται στη συσκευασία εργαλείου ως σπάνια εξαρτήματα. Μπορεί να διαφέρουν ανάλογα με τη χώρα.

ENG905-1

### Θορύβος

Το τυπικό Α επίπεδο μετρημένου θορύβου καθορίζεται σύμφωνα με το EN62841-2-8:

- Στάθμη πίεσης ήχου ( $L_{pA}$ ): 93 dB(A)
- Στάθμη δύναμης ήχου ( $L_{WA}$ ): 104 dB(A)
- Αβεβαιότητα (K): 3 dB(A)

ENG907-1

### ΠΑΡΑΤΗΡΗΣΗ:

• Η δηλωμένη τιμή(ές) εκπομπής θορύβου έχει μετρηθεί σύμφωνα με την πρότυπη μέθοδο δοκιμής και μπορεί να χρησιμοποιηθεί για τη σύγκριση ενός εργαλείου με κάποιο άλλο.

• Η δηλωμένη τιμή(ές) εκπομπής θορύβου μπορεί να χρησιμοποιηθεί και στην προκαταρκτική αξιολόγηση της έκθεσης.

### ΠΡΟΕΙΔΟΠΟΙΗΣΗ:

- **Να φοράτε ωτοασπίδες.**
- Η εκπομπή θορύβου κατά τη χρήση του ηλεκτρικού εργαλείου σε πραγματικές συνθήκες μπορεί να διαφέρει από τη δηλωμένη τιμή(ές) ανάλογα με τους τρόπους χρήσης του εργαλείου, ιδιαίτερα το είδος του τεμαχίου εργασίας που υπόκειται επεξεργασία.

- **Φροντίστε να λάβετε τα κατάλληλα μέτρα προστασίας του χειριστή βάσει ενός υπολογισμού της έκθεσης σε πραγματικές συνθήκες χρήσης (λαμβάνοντας υπόψη όλες τις συνιστώσες του κύκλου λειτουργίας όπως τους χρόνους που το εργαλείο είναι εκτός λειτουργίας και όταν βρίσκεται σε αδρανή λειτουργία πέραν του χρόνου ενεργοποίησης).**

ENG900-1

### Κραδασμός

Η ολική τιμή δόνησης (άθροισμα τρι-αξονικού διανύσματος) καθορίζεται σύμφωνα με το EN62841-2-8:

- Είδος εργασίας: κοπή μεταλλικών φύλλων
- Κραδασμοί ( $a_{h1}$ ): 6,5 m/s<sup>2</sup>
- Αβεβαιότητα (K): 1,5 m/s<sup>2</sup>

ENG901-2

### ΠΑΡΑΤΗΡΗΣΗ:

• Η δηλωμένη τιμή(ές) συνολικών κραδασμών έχει μετρηθεί σύμφωνα με την πρότυπη μέθοδο δοκιμής και μπορεί να χρησιμοποιηθεί για τη σύγκριση ενός εργαλείου με κάποιο άλλο.

• Η δηλωμένη τιμή(ές) συνολικών κραδασμών μπορεί να χρησιμοποιηθεί και στην προκαταρκτική αξιολόγηση της έκθεσης.

### ΠΡΟΕΙΔΟΠΟΙΗΣΗ:

- Η εκπομπή κραδασμών κατά τη χρήση του ηλεκτρικού εργαλείου σε πραγματικές συνθήκες μπορεί να διαφέρει από τη δηλωμένη τιμή(ές) εκπομπής ανάλογα με τους τρόπους χρήσης του εργαλείου, ιδιαίτερα το είδος του τεμαχίου εργασίας που υπόκειται επεξεργασία.
- **Φροντίστε να λάβετε τα κατάλληλα μέτρα προστασίας του χειριστή βάσει ενός υπολογισμού της έκθεσης σε πραγματικές συνθήκες χρήσης (λαμβάνοντας υπόψη όλες τις συνιστώσες του κύκλου λειτουργίας όπως τους χρόνους που το εργαλείο είναι εκτός λειτουργίας και όταν βρίσκεται σε αδρανή λειτουργία πέραν του χρόνου ενεργοποίησης).**

## ΔΗΛΩΣΗ ΣΥΜΜΟΡΦΩΣΗΣ ΕΚ

Για τις ευρωπαϊκές χώρες μόνο

Η δήλωση συμμόρφωσης ΕΚ περιλαμβάνεται ως Παράρτημα Α σε αυτό το εγχειρίδιο οδηγιών.

**Genel görünüşün açıklanması**

1 Düşme	12 Yumuşak çelik kesmek için mastar: 1,6 mm (1/16")	24 Oluklara açılı yapacak şekilde kesme
2 Kırmızı gösterge	13 Çentik	25 Oluklara dik olarak kesme
3 Batarya kartuşu	14 Sürgülü anahtar	26 Yandan görünüm
4 Yıldız işareti	15 Gösterge lambası	27 Oluklu ya da trapezoid biçimli saçların kesilmesi
5 Gösterge lambaları	16 Lokma	28 Kesme kafası kesim yüzeyi ile dik açı (90°) yapmalıdır.
6 Kontrol düğmesi	17 Cıvatalar	29 Limit işareti
7 Lokma tutucusu	18 Altıgen anahtar	30 Tutucu kapağı
8 Kilit somunu	19 Zimba	31 Tornavida
9 Gevşet	20 Zimba tutucusu	32 Fırça yuvası kapağı
10 Anahtar	21 Vida	
11 Paslanmaz çelik kesmek için mastar: 1,2 mm (3/64")	22 Sıkıştır	
	23 Üstten görünüm	

**ÖZELLİKLER**

Model		DJN161
Maks. kesme kapasiteleri	Çelik en çok 400 N/mm <sup>2</sup>	1,6 mm/16 ga
	Çelik en çok 600 N/mm <sup>2</sup>	1,2 mm/18 ga
	Alüminyum en çok 200 N/mm <sup>2</sup>	2,5 mm/12 ga
Min. kesme çapı	Dış kenar	50 mm
	İç kenar	45 mm
Dakikada vuruş (dak <sup>-1</sup> )		1.900
Toplam uzunluk		313 mm
Net ağırlık		1,9 – 2,3 kg
Anma voltajı		D.C. 18 V

- Sürekli yapılan araştırma ve geliştirmelerden dolayı, burada belirtilen özellikler önceden bildirilmeksizin değiştirilebilir.
- Özellikler ülkeden ülkeye değişebilir.
- Ağırlık, batarya kartuşu dahil aksesuar(lar)a bağlı olarak değişebilir. EPTA-Prosedürü 01/2014 uyarınca, en hafif ve en ağır kombinasyonlar tabloda verilmiştir.

**Uygun batarya kartuşu ve şarj aleti**

Batarya kartuşu	BL1815N / BL1820 / BL1820B / BL1830 / BL1830B / BL1840 / BL1840B / BL1850 / BL1850B / BL1860B
Şarj aleti	DC18RC / DC18RD / DC18RE / DC18SD / DC18SE / DC18SF

- İkamet ettiğiniz bölgeye göre, yukarıda listelenen batarya kartuşlarının ve şarj aletlerinin bazıları mevcut olmayabilir.
- ⚠ **UYARI: Sadece yukarıda listelenen batarya kartuşlarını ve şarj aletlerini kullanın.** Başka batarya kartuşlarının ve şarj aletlerinin kullanılması yaralanmaya ve/veya yangına yol açabilir.

ENE037-1

Uyarılardaki "elektrikli alet" terimi ile ya prizden çalışan (kordonlu) elektrikli aletiniz ya da kendi aküsü ile çalışan (kordonsuz) elektrikli aletiniz kastedilmektedir.

**Kullanım amacı**

Bu aletin kullanım amacı çelik ve paslanmaz çelik sac kesmektir.

GEA010-2

**Genel elektrikli alet güvenliği uyarıları**

⚠ **UYARI!** Bu elektrikli aletle birlikte sunulan tüm güvenlik uyarılarını, talimatları, çizimleri ve teknik özellikleri okuyun. Aşağıda verilen talimatlara uyulmaması elektrik şoku, yangın ve/veya ciddi yaralanmalar ile sonuçlanabilir.

**Tüm uyarıları ve talimatları ilerde başvurmak için saklayın.**

**NİBLER GÜVENLİK UYARILARI**

1. Makinayı sıkıca tutun.
2. İş parçasını sağlamca tespit edin.
3. Dönen parçalardan elinizi uzak tutun.
4. İş parçasının kenarları ve yongaları keskindir. Eldiven kullanın. Ayrıca yaralanmayı önlemek için, kalın tabanlı ayakkabılar giymeniz de tavsiye edilir.

GEB028-2

5. Makinayı iş parçasının yongalarının üzerine koymayın. Aksi halde makinada arıza veya probleme sebep olabilir.
6. Makinayı çalışır halde bırakmayın. Makinayı sadece elinizde iken çalıştırın.
7. Yere her zaman sağlam bastığınızdan emin olun. Makinayı yüksek yerlerde kullanırken, aşağıda kimsenin olmadığından emin olun.
8. Kullanımdan hemen sonra zımbaya, lokmaya veya iş parçasına dokunmayın; çok sıcak olabilirler ve cildinizi yakabilirler.
9. Elektrik kablolarını kesmeyin. Elektrik çarpmasıyla ciddi kazaya sebep olabilir.
10. Aletin içerdiği lityum-iyon bataryalar Tehlikeli Eşyalar Yönetmeliğinin gereksinimlerine tabidir. Ticari nakliye işlemleri için, örneğin üçüncü taraflar, nakliye acenteleri tarafından yapılan nakliyelerde, paketleme ve etiketleme gereksinimlerine uyulmalıdır.

Nakliyesi yapılacak ürünün hazırlanması için, tehlikeli maddeler konusunda uzman bir kişiye danışın. Lütfen muhtemelen daha ayrıntılı olan ulusal yönetmeliklere de uyun.

Açık kontakları bantlayın ya da maskeleyin ve bataryayı paketin içinde hareket etmeyecek şekilde pakettayın.

11. Bataryanın elden çıkarılması ile ilgili yerel düzenlemelere uyunuz.
12. Bataryaları sadece Makita tarafından belirtilen ürünlerle kullanın. Bataryaların uyumsuz ürünlere takılması; yangın, aşırı ısınma, patlama ya da elektrolit sızıntısına neden olabilir.

## BU TALİMATLARI SAKLAYIN.

### ⚠ UYARI:

Ürünü kullanırken (defalarca kullanınca kazanılan) rahatlık ve tanıdıklık duygusunun ilgili ürünün güvenlik kurallarına sıkı sıkıya bağlı kalmanın yerine geçmesine İZİN VERMEYİN. YANLIŞ KULLANIM veya bu kullanma kılavuzunda belirtilen emniyet kurallarına uymama ciddi yaralanmaya neden olabilir.

ENC007-12

## BATARYA KARTUŞU HAKKINDA ÖNEMLİ GÜVENLİK TALİMATLARI

1. Batarya kartuşunu kullanmadan önce, tüm talimatları ve (1) batarya kartuşu, (2) batarya ve (3) ürün üzerindeki tüm uyarı işaretlerini okuyun.
2. Batarya kartuşunu demonte etmeyin.
3. Çalışma süresi aşırı derecede kısalmışsa kullanmayı derhal bırakın. Aşırı ısınma, yanma riski hatta patlamaya neden olabilir.
4. Gözünüze elektrolit kaçarsa, gözlerinizi temiz suyla durulayın ve hemen tıbbi yardım alın. Görme kaybına yol açabilir.
5. Batarya kartuşuna kısa devre yaptırmayın:
  - (1) Terminallere herhangi bir iletken madde değdirmeyin.
  - (2) Batarya kartuşunu çiviler, madeni paralar, vb. gibi başka metal nesnelere aynı kaba koymaktan kaçının.
  - (3) Batarya kartuşunu yağmura ya da suya maruz bırakmayın.

Kısa devre, büyük bir akım akışına, aşırı ısınmaya, olası yanıklara hatta bataryanın bozulmasına yol açabilir.

6. Aleti ve batarya kartuşunu sıcaklığın 50°C ya da daha yükseğe ulaştığı yerlerde saklamayın.
7. Aşırı derecede hasar görmüş ya da tamamen kullanılamaz durumda olsa bile batarya kartuşunu yakmayın. Batarya kartuşu ateşe atılırsa patlayabilir.
8. Bataryayı düşürmemeye ve çarpmamaya dikkat edin.
9. Hasarlı bataryayı kullanmayın.

## BU TALİMATLARI MUHAFAZA EDİNİZ.

⚠ DİKKAT: Sadece orijinal Makita bataryalarını kullanın. Orijinal olmayan Makita bataryaları ya da üzerine değişiklik yapılmış bataryaların kullanımı bataryanın patlamasına ve sonuç olarak yangın, kişisel yaralanma ve hasara neden olabilir. Ayrıca Makita aleti ve şarj aletinin Makita tarafından sunulan garantisini de geçersiz olur.

### Maksimum batarya ömrü için ipuçları

1. Batarya kartuşunu tamamen boşaldıktan önce şarj edin. Aletin gücünün zayıflamaya başladığını fark ettiğinizde aleti durdurun ve batarya kartuşunu şarj edin.
2. Tam dolu bir batarya kartuşunu asla yeniden şarj etmeyin. Aşırı şarj etme bataryanın hizmet ömrünü kısaltır.
3. Batarya kartuşunu 10°C - 40°C oda sıcaklığında şarj edin. Sıcak bir batarya kartuşunu şarj etmeden önce soğumasını bekleyin.
4. Uzun bir süre (altı aydan daha fazla) kullanmadığınız durumlarda batarya kartuşunu şarj edin.

## İŞLEVSEL AÇIKLAMALAR

### ⚠ DİKKAT:

- Alet üzerinde ayarlama ya da işleyiş kontrolü yapmadan önce aletin kapalı ve batarya kartuşunun çıkartılmış olduğundan daima emin olun.

### Batarya kartuşunun takılması ve çıkarılması (Şek. 1)

### ⚠ DİKKAT:

- Batarya kartuşunu takmadan ya da çıkarmadan önce aleti daima kapatın.
- Batarya dönüştürücüyü takarken veya çıkarırken aleti ve batarya dönüştürücüyü sıkıca tutun. Aletin ve batarya dönüştürücünün sıkıca tutulmaması bunların düşürülmesine ve zarar görmesine ya da ciddi yaralanmalara sebep olabilir.

Batarya kartuşunu çıkarmak için, kartuşun ön tarafındaki düğmeyi kaydırarak kartuşu aletten çıkarın.

Batarya kartuşunu takmak için, batarya kartuşu üzerindeki dili yuvanın çentiği ile hizalayın ve yerine oturtun. Hafif bir tık sesi duyulana kadar itip yerine tam oturmaması sağlayın. Düğmenin üst tarafındaki kırmızı göstergesi görünüyorsa tam yerine kilitlenmemiş demektir.

#### ⚠️ DİKKAT:

- Batarya kartuşunu daima kırmızı gösterge görünmeyecek şekilde tam olarak takın. Yerine tam oturmazsa, aletten yanlışlıkla düşebilir, sizin ya da çevrenizdeki kişilerin yaralanmasına neden olabilir.
- Batarya kartuşunu zorlayarak takmayın. Kartuş kolay bir şekilde kaymıyorsa doğru yerleştirilmemiş demektir.

#### Batarya koruma sistemi (Şek. 2)

Alet bir batarya koruma sistemi ile donatılmıştır. Bu sistem motora giden gücü otomatik olarak keserek uzun batarya ömrü sağlar.

Alet ve/veya batarya için aşağıdaki durumlardan biri söz konusu olduğunda aletin işleyişi otomatik olarak durur.

##### • Aşırı yüklenme:

Alet, anormal derecede yüksek akım çekmesine neden olacak şekilde kullanılmaktadır.

Bu durumda, aleti kapalı duruma getirin ve aletin aşırı yüklenmesine neden olan uygulamayı durdurun. Ardından aleti yeniden çalıştırmak için açık konuma getirin.

Alet çalışmaya başlamazsa, batarya aşırı ısınmış demektir. Bu durumda, aleti yeniden çalıştırmadan önce bataryanın soğumasını bekleyin.

##### • Düşük batarya voltajı:

Kalan batarya kapasitesi çok düşüktür ve alet çalışmaz. Bu durum söz konusuysa, bataryayı çıkarıp şarj edin.
















#### NOT:

- Aşırı ısınmaya karşı koruma sistemi sadece yıldız işaretli batarya kartuşlarında çalışır.

#### Kalan batarya kapasitesinin gösterilmesi (Şek. 3)

##### Sadece göstergeli batarya kartuşları için

Kalan batarya kapasitesini göstermesi için batarya kartuşu üzerindeki kontrol düğmesine basın. Gösterge lambaları birkaç saniye yanar.

Gösterge lambaları			Kalan kapasite
 Yanıyor	 Kapalı	 Yanıp sönmüyo	
			%75 ila %100
			%50 ila %75
			%25 ila %50
			%0 ila %25
			Bataryayı şarj edin.
			Batarya arızalanmış olabilir.

015658

#### NOT:

- Kullanım koşullarına ve ortam sıcaklığına bağlı olarak, gösterilen değer gerçek kapasiteden biraz farklılık gösterebilir.

#### Lokma konumunun değiştirilmesi (Şek. 4)

Lokma tutucusunun konumu 360° değiştirilebilir. Lokma konumunu değiştirmek için aşağıdakileri yapın.

- Verilen somun anahtarlarıyla kilit somununu gevşetin.
- Lokma tutucusunu hafifçe çekin ve istediğiniz çalışma konumuna döndürün.
- Lokma tutucusunu istenilen konumda sabitlemek için kilit somununu sıkın.

Her biri 90° de dört pozitif konum durdurucu vardır: 0°, 90° sol ve sağ ve 180°. Lokmayı bu pozitif konum durduruculardan herhangi birine konumlandırarak:

- Verilen somun anahtarlarıyla kilit somununu gevşetin.
- Lokma tutucusunu biraz çekin ve hafifçe bastırarak istediğiniz konuma çevirin. Lokma tutucusu istenildiği gibi durduruculardan birine geçecektir.
- Pozitif yönde yerine kilitlendiğinden emin olmak için lokma tutucusunu biraz döndürün.
- Kilit somununu sıkarak lokma tutucusunu sabitleyin.

#### Kesilebilecek kalınlık (Şek. 5)

Kesilecek malzemenin kalınlığı malzemenin kendi gerilme mukavemetine bağlıdır. Lokma tutucusunun üstündeki kertik izin verilen kesme derinliği için bir derinlik mastarı görevi yapar. Bu kertiğe uymayan herhangi bir malzemeyi kesmeye çalışmayın.

#### Kesme hattı

Lokma tutucusu içindeki kertik kesme hattınızı gösterir. Bunun eni kesme enine eşittir. Kesme yaparken bu kertiği iş parçasındaki kesme hattına hizalayın.

#### Anahtar işlemi (Şek. 6)

##### ⚠️ DİKKAT:

- Batarya kartuşunu alete takmadan önce sürgülü anahtarın düzgün çalıştığını ve sürgülü anahtarın gerisine basıldığı zaman "OFF" (kapalı) konumuna geçtiğini daima kontrol edin.
- Uzun süreli kullanım sırasında kullanıcının rahatı için anahtar "ON" (açık) konumunda kilitlenebilir. Anahtar "ON" (açık) konumunda kilitliyen dikkatli olun ve aleti sıkı kavrayın.

Aleti başlatmak için, sürgülü anahtar "I (AÇIK)" konumuna getirin. Sürekli kullanım için, sürgülü anahtarın ön kısmına basarak anahtar kilitleyin.

Aleti durdurmak için, sürgülü anahtarın arka kısmına basın ve "O (KAPALI)" konuma kaydırın.

#### Çok işlevli gösterge lambası (Şek. 7)

Gösterge lambaları iki konumda bulunur.

##### - Batarya kartuşunu değiştirme sinyali

- Kullanım sırasında bataryanın gücü tamamen bitmeden kısa bir süre önce kırmızı lamba yanar ve alet hemen durur. Kırmızı ışık yandığında bataryayı tam şarjlı bir batarya ile değiştirin.

##### - İstem dışı başlatmayı önleme işlevi

- Batarya kartuşu sürgülü anahtar "I (AÇIK)" konumdayken takılsa bile, alet çalışmaya başlamaz. Bu durumda, lamba yavaş bir şekilde titreyiş, bu da istem dışı başlatmayı önleme işlevinin devrede olduğunu gösterir.
- Aleti başlatmak için, önce sürgülü anahtar "O (KAPALI)" konuma kaydırın ve ardından tekrar "I (AÇIK)" konuma getirin.

## MONTAJ

### ⚠ DİKKAT:

- Alet üzerinde herhangi bir iş yapmadan önce aletin kapalı ve batarya kartuşunun ayrılmış olduğundan daima emin olun.

### Zimba ve lokmanın takılması ve çıkartılması (Şek. 8, 9, 10 ve 11)

Zimba ve lokmayı daima bir takım olarak değiştirin. Zimba ve lokmayı çıkarmak için, somun anahtarıyla kilit somununu gevşetin. Lokma tutucusunu aletten çıkartın. Allen anahtarını kullanarak lokmayı yerinde tutan civataları gevşetin. Lokmayı tutucusundan çıkartın. Allen anahtarını kullanarak zimbayı yerinde tutan vidayı gevşetin. Zimbayı çekip tutucusundan çıkarın.

Zimba ve lokmayı takmak için, zimbayı zimba içindeki kertiğe vidaya gelecek şekilde zimba tutucusunun içine geçirin. Vidayı sıkarak zimbayı sabitleyin. Lokmayı lokma tutucusunun içine takın. Civataları sıkıp lokmayı sabitleyin.

Sonra zimba lokma tutucusunun içindeki deliğe geçecek şekilde lokma tutucusunu alete takın. Kilit somununu sıkarak lokma tutucusunu sabitleyin. Zimba ve lokmayı değiştirdikten sonra uygun bir yağla yağlayıp aleti bir süre çalıştırın.

## KULLANIM

### Ön yağlama

Zimba ve lokma kullanım ömrünü uzatmak için kesme hattını makine yağıyla kaplayın. Bu özellikle alüminyum keserken önemlidir.

### Kesme yöntemi (Şek. 12)

Aleti kesme kafası kesilen iş parçası ile dik açı (90°) yapacak şekilde tutun. Aleti kesme yönünde yavaşça ilerletin.

### Kesip çıkarma (Şek. 13)

Önce kesme kafasının içine girebileceği çapı 21 mm üstünde yuvarlak bir delik açılarak kesip çıkartmalar yapılabilir.

### Oluklu ya da trapezoid biçimli saçların kesilmesi (Şek. 14 ve 15)

Oluklu ya da trapezoid biçimli saçları oluklara dik ya da eğimli keserken lokma konumunu lokma kesme yönüne bakacak şekilde ayarlayın.

Şekilde gösterildiği gibi daima kesme kafası kesme yüzeyine dik açı (90°) yapacak şekilde alet gövdesini oluklara paralel tutun.

## BAKIM

### ⚠ DİKKAT:

- Kontrol ya da bakım yapmadan önce aletin kapalı ve batarya kartuşunun çıkartılmış olduğundan daima emin olun.
- Benzin, tiner, alkol ve benzeri maddeleri kesinlikle kullanmayın. Renk değişimi, deformasyon veya çatlaklar oluşabilir.

## Karbon fırçaların değiştirilmesi (Şek. 16, 17 ve 18)

Karbon fırçaları düzenli olarak çıkarıp kontrol edin. Sınır işaretine kadar yıprandıkları zaman değiştirin. Karbon fırçalarının temiz ve yuvaları içinde serbestçe kayar durumda kalmalarını sağlayın. Her iki karbon fırça aynı zamanda değiştirilmelidir. Sadece birbirinin aynısı olan karbon fırçaları kullanın. Düz uçlu tornavidanın ucunu aletin üzerindeki çentiğe geçirin ve tutucu kapağını kaldırın.

Fırça yuvası kapaklarını çıkarmak için bir tornavida kullanın. Aşınmış karbon fırçalarını dışarı çıkarın, yerlerine yenilerini geçirin ve fırça yuvası kapaklarını açılmayacak şekilde takın.

Tutucu kapağını alete yeniden takın. Aleti EMNİYETLİ ve ÇALIŞMAYA HAZIR durumda tutmak için onarımlar, başka her türlü bakım ve ayarlamalar daima Makita yedek parçaları kullanılarak Makita Yetkili Servis Merkezleri tarafından yapılmalıdır.

## İSTEĞE BAĞLI AKSESUARLAR

### ⚠ DİKKAT:

Bu aksesuarlar ve ek parçalar bu el kitabında belirtilen Makita aletiniz ile kullanılmak için tavsiye edilmektedir. Herhangi başka bir aksesuar ya da ek parça kullanılması insanlar için bir yaralanma riski getirebilir. Aksesuarları ya da ek parçaları yalnızca belirtilmiş olan kullanım amaçlarına uygun olarak kullanın.

Bu aksesuarlarla ilgili daha fazla bilgiye ihtiyaç duyarsanız bulunduğunuz yerdeki Makita Servis Merkezi başvurun.

- Lokma
- Zimba
- Altıgen anahtar
- Anahtar 32
- Orijinal Makita batarya ve şarj aleti

### NOT:

• Listedeki bazı parçalar standart aksesuar olarak ürün paketinin içine dahil edilmiş olabilir. Aksesuarlar ülkeden ülkeye farklılık gösterebilir.

ENG905-1

### Gürültü

EN62841-2-8 uyarınca hesaplanan tipik A-ağırlıklı gürültü düzeyi:

Ses basınç seviyesi ( $L_{pA}$ ): 93 dB(A)

Ses gücü düzeyi ( $L_{WA}$ ): 104 dB(A)

Belirsizlik (K): 3 dB(A)

ENG907-1

### NOT:

- Beyan edilen gürültü emisyonu değer(ler)i bir standart test yöntemine uygun şekilde ölçülmüştür ve bir aleti bir başkasıyla karşılaştırmak için kullanılabilir.
- Beyan edilen gürültü emisyonu değer(ler)i bir ön maruz kalma değerlendirmesi olarak da kullanılabilir.

### ⚠ UYARI:

- Kulak koruyucuları takın.
- Elektrikli aletin gerçek kullanım sırasındaki gürültü emisyonu, aletin kullanım biçimlerine, özellikle işlenen iş parçasının türüne bağlı olarak beyan edilen değer(ler)den farklı olabilir.

- Gerçek kullanım koşullarındaki tahmini maruziyeti baz alan, operatörü koruyacak güvenlik önlemlerini mutlaka belirleyin (çalışma döngüsü içerisinde aletin kapalı olduğu ve aktif durumda olmasının yanı sıra boşta çalıştığı zamanlar gibi, bütün zaman dilimleri göz önünde bulundurarak).

ENG900-1

#### Titreşim

EN62841-2-8 standardına göre hesaplanan titreşim toplam değeri (Üç eksenli vektör toplamı):

Çalışma modu: sac levha kesme

Titreşim emisyonu ( $a_h$ ): 6,5 m/s<sup>2</sup>

Belirsizlik (K): 1,5 m/s<sup>2</sup>

ENG901-2

#### NOT:

- Beyan edilen titreşim toplam değer(ler)i bir standart test yöntemine uygun şekilde ölçülmüştür ve bir aleti bir başkasıyla karşılaştırmak için kullanılabilir.
- Beyan edilen titreşim toplam değer(ler)i bir ön maruz kalma değerlendirmesi olarak da kullanılabilir.

#### ⚠ UYARI:

- Elektrikli aletin gerçek kullanımı sırasındaki titreşim emisyonu, aletin kullanım biçimlerine, özellikle işlenen iş parçasının türüne bağlı olarak beyan edilen değer(ler)den farklı olabilir.
- Gerçek kullanım koşullarındaki tahmini maruziyeti baz alan, operatörü koruyacak güvenlik önlemlerini mutlaka belirleyin (çalışma döngüsü içerisinde aletin kapalı olduğu ve aktif durumda olmasının yanı sıra boşta çalıştığı zamanlar gibi, bütün zaman dilimleri göz önünde bulundurarak).

#### AT UYGUNLUK BEYANI

Sadece Avrupa ülkeleri için

AT uygunluk beyanı bu kullanım kılavuzuna Ek A olarak eklenmiştir.



**Makita Europe N.V.** Jan-Baptist Vinkstraat 2,  
3070 Kortenberg, Belgium

**Makita Corporation** 3-11-8, Sumiyoshi-cho,  
Anjo, Aichi 446-8502 Japan