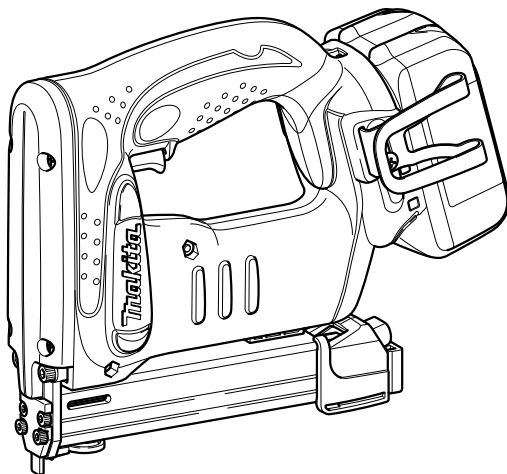




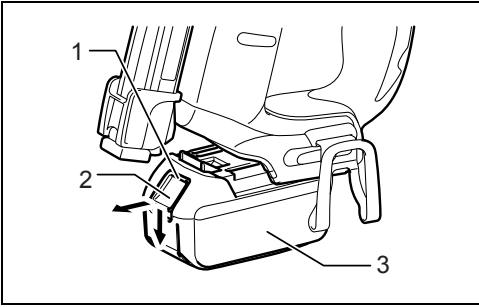
GB	Cordless Stapler	Instruction manual
F	Agrafeuse sans fil	Manuel d'instructions
D	Akku-Tacker	Betriebsanleitung
I	Graffettatrice	Istruzioni per l'uso
NL	Accunietpistool	Gebruiksaanwijzing
E	Grapadora sin cable	Manual de instrucciones
P	Agrafador sem fios	Manual de instruções
DK	Kabelfri hæftepistol	Brugsanvisning
GR	Συρραπτικό μπαταρίας	Οδηγίες χρήσης

DST220
DST221



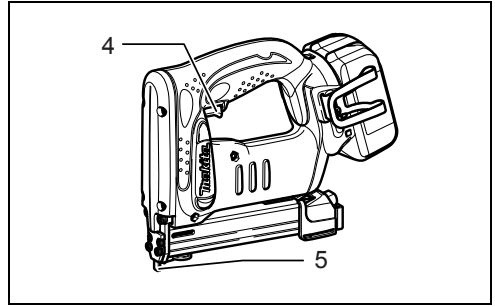
014799





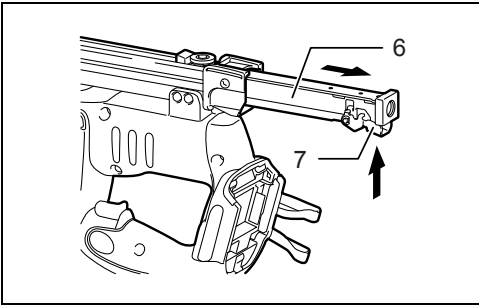
1

014800



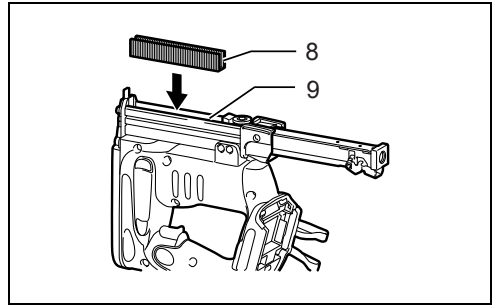
2

014791



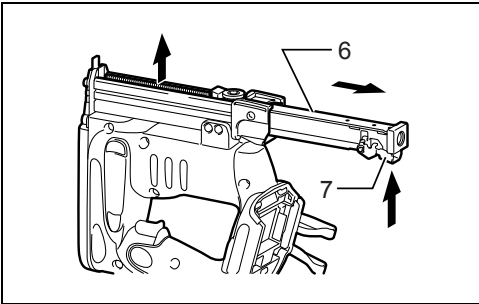
3

014792



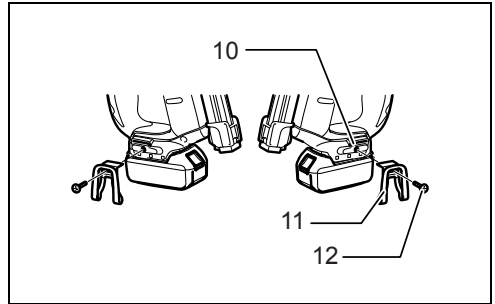
4

014793



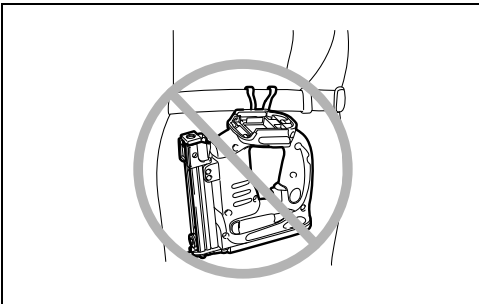
5

014798



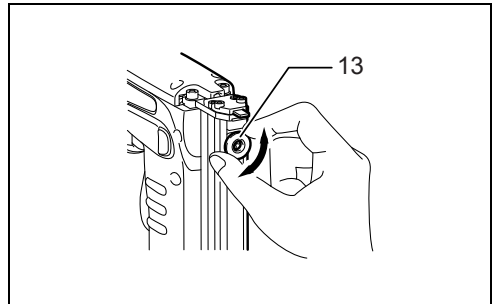
6

014795



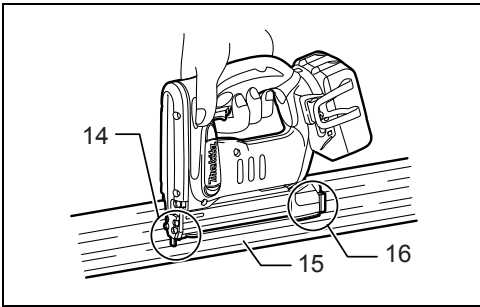
7

014794



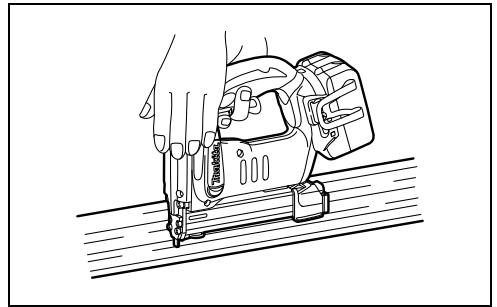
8

009163



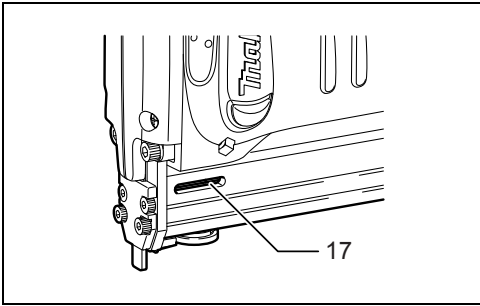
9

014796



10

014797



11

009161

ENGLISH (Original instructions)

Explanation of general view

- | | | |
|----------------------|------------------|------------------|
| 1. Red indicator | 7. Locking lever | 13. Nut |
| 2. Button | 8. Staples | 14. Front |
| 3. Battery cartridge | 9. Main magazine | 15. Workpiece |
| 4. Trigger | 10. Groove | 16. Rear |
| 5. Safety lever | 11. Hook | 17. Sight window |
| 6. Sub magazine | 12. Screw | |

SPECIFICATIONS

Model	DST220	DST221
Staple width	10 mm	10 mm
Applicable staples length	10 mm - 22 mm	10 mm - 22 mm
Staple magazine capacity	84 pcs	84 pcs
Overall length	247 mm	251 mm
Net weight	2.3 kg	2.4 kg
Rated voltage	D.C. 14.4 V	D.C. 18 V

- Due to our continuing program of research and development, the specifications herein are subject to change without notice.
- Specifications and battery cartridge may differ from country to country.
- Weight, with battery cartridge, according to EPTA-Procedure 01/2003


Intended use

ENE054-1

The tool is intended for pressing staples into construction materials such as timbers.

General Power Tool Safety Warnings

GEA010-1

 **WARNING** Read all safety warnings and all instructions. Failure to follow the warnings and instructions may result in electric shock, fire and/or serious injury.

Save all warnings and instructions for future reference.

CORDLESS STAPLER SAFETY WARNINGS

GEB075-2

1. **Always assume that the tool contains fasteners.** Careless handling of the stapler can result in unexpected firing of fasteners and personal injury.
2. **Do not point the tool towards yourself or anyone nearby.** Unexpected triggering will discharge the fastener causing an injury.
3. **Do not actuate the tool unless the tool is placed firmly against the workpiece.** If the tool is not in contact with the workpiece, the fastener may be deflected away from your target.
4. **Disconnect the tool from the power source when the fastener jams in the tool.** While removing a jammed fastener, the stapler may be accidentally activated if it is plugged in.
5. **Use caution while removing a jammed fastener.** The mechanism may be under compression and the fastener may be forcefully discharged while attempting to free a jammed condition.
6. **Do not use this stapler for fastening electrical cables.** It is not designed for electric cable installation and may damage the insulation of electric cables thereby causing electric shock or fire hazards.
7. **Always wear safety goggles or safety glasses with side shield, and a full face shield when needed.**
8. **Keep hands and feet away from the ejection port area.**
9. **Always remove the battery cartridge before loading the fasteners, adjustment, inspection, maintenance or after operation is over.**
10. **Make sure no one is nearby before operation. Never attempt to drive fasteners from both the inside and outside of wall at the same time. Fasteners may rip through and/or fly off, presenting a grave danger.**
11. **Watch your footing and maintain your balance with the tool. Make sure there is no one below when working in high locations.**
12. **Check walls, ceilings, floors, roofing and the like carefully to avoid possible electrical shock, gas leakage, explosions, etc. caused by stapling into live wires, conduits or gas pipes.**
13. **Use only fasteners specified in this manual. The use of any other fasteners may cause malfunction of the tool.**
14. **Do not tamper with the tool or attempt to use it for other than driving fasteners.**
15. **Do not operate the tool without fasteners. It shortens the service life of the tool.**
16. **Stop driving operations immediately if you notice something wrong or out of the ordinary with the tool.**
17. **Never fastener into any materials which may allow the fastener to puncture and fly through as a projectile.**

18. Never actuate the switch trigger and safety lever at the same time until you are prepared to fastener workpieces. Allow the workpiece to depress the safety lever. Never defeat its purpose by securing the safety lever back or by depressing it by hand.
19. Never tamper with the safety lever. Check the safety lever frequently for proper operations.

SAVE THESE INSTRUCTIONS.

WARNING:

DO NOT let comfort or familiarity with product (gained from repeated use) replace strict adherence to safety rules for the subject product. MISUSE or failure to follow the safety rules stated in this instruction manual may cause serious personal injury.

IMPORTANT SAFETY INSTRUCTIONS

ENC007-7

FOR BATTERY CARTRIDGE

1. Before using battery cartridge, read all instructions and cautionary markings on (1) battery charger, (2) battery, and (3) product using battery.
2. Do not disassemble battery cartridge.
3. If operating time has become excessively shorter, stop operating immediately. It may result in a risk of overheating, possible burns and even an explosion.
4. If electrolyte gets into your eyes, rinse them out with clear water and seek medical attention right away. It may result in loss of your eyesight.
5. Do not short the battery cartridge:
 - (1) Do not touch the terminals with any conductive material.
 - (2) Avoid storing battery cartridge in a container with other metal objects such as nails, coins, etc.
 - (3) Do not expose battery cartridge to water or rain.

A battery short can cause a large current flow, overheating, possible burns and even a breakdown.
6. Do not store the tool and battery cartridge in locations where the temperature may reach or exceed 50°C (122°F).
7. Do not incinerate the battery cartridge even if it is severely damaged or is completely worn out. The battery cartridge can explode in a fire.
8. Be careful not to drop or strike battery.
9. Do not use a damaged battery.

SAVE THESE INSTRUCTIONS.

Tips for maintaining maximum battery life

1. Charge the battery cartridge before completely discharged.
Always stop tool operation and charge the battery cartridge when you notice less tool power.
2. Never recharge a fully charged battery cartridge. Overcharging shortens the battery service life.

3. Charge the battery cartridge with room temperature at 10°C - 40°C (50°F - 104°F). Let a hot battery cartridge cool down before charging it.
4. Charge the battery cartridge once in every six months if you do not use it for a long period of time.

FUNCTIONAL DESCRIPTION

CAUTION:

- Always be sure that the tool is switched off and the battery cartridge is removed before adjusting or checking function on the tool.

Installing or removing battery cartridge (Fig. 1)

- Always switch off the tool before installing or removing of the battery cartridge.
- To remove the battery cartridge, slide it from the tool while sliding the button on the front of the cartridge.
- To install the battery cartridge, align the tongue on the battery cartridge with the groove in the housing and slip it into place. Always insert it all the way until it locks in place with a little click. If you can see the red indicator on the upper side of the button, it is not locked completely. Install it fully until the red indicator cannot be seen. If not, it may accidentally fall out of the tool, causing injury to you or someone around you.
- Do not use force when installing the battery cartridge. If the cartridge does not slide in easily, it is not being inserted correctly.

Safety system (Fig. 2)

Make sure all safety systems are in working order before operation. The tool must not operate if only the switch trigger is pulled or if only the safety lever is pressed against the wood. It must work only when both actions are performed. Test for possible faulty operation with a tool unloaded and pointed well away from yourself or any bystanders.

NOTE:

- There is a possibility that the tool may operate for an instant when only the trigger is pulled. This does not indicate a problem. If this occurs, point the tool well away from yourself or any bystanders. Release and pull the trigger again to make sure the safety systems are in working order.

ASSEMBLY

CAUTION:

- Always make sure that your fingers are not placed on the trigger and the battery cartridge is removed before carrying out any work on the stapler.

Staples

- Handle the staples and their box carefully. If the staples have been handled roughly, they may be bent out of shape, causing poor staple feed or jamming.
- Avoid storing the staples in a very humid or hot place or place exposed to direct sunlight.

CAUTION:

- Do not use staples other than designated in this manual or staples that appear to be damaged, bent, rusty or corroded.
- Do not insert staples of which size is different each other at the same time inside the magazine, causing poor staple feed or jamming.

Loading staples

Remove the battery cartridge.

Press the locking lever on the rear of the sub magazine and slide the sub magazine backward. (Fig. 3)

Load staples into the main magazine with their feet facing up. Slide the sub-magazine forward. (Fig. 4)

To secure the sub magazine in place, hook the locking lever on the rear of the sub-magazine.

CAUTION:

- With the magazine loaded, if the tool is held downward and the sub-magazine is opened, the staples can fall out and present a danger to anyone or anything below. Keep this in mind especially when working in high locations.

Unloading staples**CAUTION:**

- When removing staples, make sure that your fingers are not placed on the trigger or the lever and the battery cartridge is removed from the stapler. Misfiring may cause personal injuries and property damage.

Remove the battery cartridge.

Press the locking lever and slide the magazine back. (Fig. 3)

Take out staples from the magazine slit. (Fig. 5)

Hook**CAUTION:**

- Always make sure that your fingers are not placed on the trigger or the lever and the battery cartridge is removed before using the hook. (Fig. 6)

CAUTION:

- Do not hang the hook from the waist belt. Dropping the stapler, which is caused by the hook accidentally coming out of place, may cause misfiring and personal injuries.

The hook is convenient for temporarily hanging the tool. This can be installed on either side of the tool.

To install the hook, insert it into a groove in the tool housing on either side and then secure it with a screw.

To remove, loosen the screw and then take it out. (Fig. 7)

OPERATION**Depth adjustment (Fig. 8)**

If the staples are driven too deep or too shallow, adjust the driving depth by turning the nut on the bottom of the tool. For deeper driving of staples, turn the nut clockwise. For shallower driving, turn the nut counterclockwise.

Please note the nut must be turned in increments of 90° (1/4 turn) so that the groove on the nut runs parallel to the magazine.

Driving staples (Fig. 9)

Place flat the opening of the tool from which staples are fired on the material to be fastened and hold the tool firmly against the material. Then pull the lever and then pull the trigger fully to drive the staples. The grip is shaped so that the tool head can be held down securely with index finger and thumb. After driving a staple, be sure to release the trigger fully.

When the head of driven staple remains above the surface of material to be fastened, drive the staple while holding the stapler head firmly. (Fig. 10)

NOTE:

- Using the stapler continuously with the head of driven staples remaining above the surface of material to be fastened may cause damage to the driver of the stapler and stapler jamming etc.

Checking remaining staples (Fig. 11)**CAUTION:**

- Do not operate the tool without staples. It shortens the service life of the tool.

There is a convenient sight window on the right side of the tool (when viewing the tool from the front). Use this sight window to check if there are staples in the magazine.

When staples are not visible through the window, load staples into the magazine.

Removing jammed staples**WARNING:**

- Always make sure that the trigger are released and the battery cartridge is removed before removing jammed staples.

Remove the battery cartridge from the stapler. (Fig. 5)

Press the locking lever on the rear of the sub magazine and slide the sub magazine backward.

Take out stuck staples that remain inside the opening that staples are fired from as it appears.

MAINTENANCE**CAUTION:**

- Always be sure that the tool is switched off and the battery cartridge is removed before attempting to perform inspection or maintenance.
- Never use gasoline, benzine, thinner, alcohol or the like. Discoloration, deformation or cracks may result.

To maintain product SAFETY and RELIABILITY, repairs, any other maintenance or adjustment should be performed by Makita Authorized Service Centers, always using Makita replacement parts.

OPTIONAL ACCESSORIES**⚠ CAUTION:**

- These accessories or attachments are recommended for use with your Makita tool specified in this manual. The use of any other accessories or attachments might present a risk of injury to persons. Only use accessory or attachment for its stated purpose.

If you need any assistance for more details regarding these accessories, ask your local Makita Service Center.

- Staples
- Various type of Makita genuine batteries and chargers

- Safety goggles

NOTE:

- Some items in the list may be included in the tool package as standard accessories. They may differ from country to country.

Noise

ENG905-1

The typical A-weighted noise level determined according to EN60745:

Sound pressure level (L_{pA}): 82 dB (A)

Sound power level (L_{WA}): 93 dB (A)

Uncertainty (K): 3 dB (A)

Wear ear protection.

Vibration

ENG900-1

The vibration total value (tri-axial vector sum) determined according to EN60745:

Vibration emission (a_h): 3.5 m/s²

Uncertainty (K): 1.5 m/s²

ENG901-1

- The declared vibration emission value has been measured in accordance with the standard test method and may be used for comparing one tool with another.
- The declared vibration emission value may also be used in a preliminary assessment of exposure.

⚠ WARNING:

- The vibration emission during actual use of the power tool can differ from the declared emission value depending on the ways in which the tool is used.
- Be sure to identify safety measures to protect the operator that are based on an estimation of exposure in the actual conditions of use (taking account of all parts of the operating cycle such as the times when the tool is switched off and when it is running idle in addition to the trigger time).

For European countries only

ENH101-15

EC Declaration of Conformity

We Makita Corporation as the responsible manufacturer declare that the following Makita machine(s):

Designation of Machine:

Cordless Stapler

Model No./Type: DST220, DST221

are of series production and

Conforms to the following European Directives:

2006/42/EC

And are manufactured in accordance with the following standards or standardised documents:

EN60745

The technical documentation is kept by our authorised representative in Europe who is:

Makita International Europe Ltd.
Michigan Drive, Tongwell,
Milton Keynes, Bucks MK15 8JD, England

30. 1. 2009



Tomoyasu Kato
Director

Makita Corporation
3-11-8, Sumiyoshi-cho,
Anjo, Aichi, 446-8502, JAPAN

Descriptif

1. Voyant rouge	7. Levier de verrouillage	13. Écrou
2. Bouton	8. Agrafes	14. Avant
3. Batterie	9. Magasin principal	15. Pièce à travailler
4. Gâchette	10. Rainure	16. Arrière
5. Levier de sécurité	11. Crochet	17. Lunette
6. Magasin inférieur	12. Vis	

SPÉCIFICATIONS

Modèle	DST220	DST221
Largeur d'agrafe	10 mm	10 mm
Longueur applicable des agrafes	10 mm à 22 mm	10 mm à 22 mm
Capacité du magasin d'agrafes	84 clous	84 clous
Longueur totale	247 mm	251 mm
Poids net	2,3 kg	2,4 kg
Tension nominale	C.C. 14,4 V	C.C. 18 V

- Étant donné l'évolution constante de notre programme de recherche et de développement, les spécifications contenues dans ce manuel sont sujettes à des modifications sans préavis.
- Les spécifications et la batterie peuvent varier d'un pays à l'autre.
- Poids, batterie incluse, selon la procédure EPTA 01/2003

Utilisations

ENE054-1

L'outil est conçu pour l'insertion d'agrafes dans des matériaux de construction tels que le bois.

Consignes de sécurité générales des outils électriques

GEA010-1

⚠ AVERTISSEMENT Veuillez lire toutes les consignes de sécurité et les instructions. Il y a un risque de choc électrique, d'incendie et/ou de blessure grave si les consignes et les instructions ne sont pas toutes respectées.

Conservez toutes les consignes et instructions pour référence ultérieure.

AVERTISSEMENTS DE SÉCURITÉ CONCERNANT L'AGRAFEUSE SANS FIL

GEB075-2

1. **Gardez toujours à l'esprit que l'outil contient des clous.** En cas de mauvaise utilisation de l'agrafeuse, les clous risquent de s'éjecter de manière inopinée et de causer des blessures graves.
2. **Ne dirigez jamais l'outil vers vous ou vers une autre personne qui se trouve à proximité.** Un déclenchement inattendu risque de décharger le clou et de causer des blessures.
3. **N'activez pas l'outil avant qu'il ne soit fermement placé sur la pièce à travailler.** Si l'outil n'est pas en contact avec la pièce à travailler, le clou risque de dévier de sa trajectoire.
4. **Lorsque le clou se bloque dans l'outil, débranchez ce dernier de la source d'alimentation.** Si l'agrafeuse est branchée, elle risque de se déclencher accidentellement lorsque vous enlevez le clou bloqué.
5. **Soyez prudent lors du retrait d'un clou bloqué.** Le mécanisme risque d'être sous compression et le clou peut être libéré violemment lorsque vous débloquez l'outil.
6. **N'utilisez pas cette agrafeuse pour fixer des câbles électriques.** Elle n'est pas conçue pour l'installation de câbles électriques et risque d'endommager leur isolation, et par conséquent, d'augmenter les risques de choc électrique ou d'incendie.
7. **Portez toujours un masque de protection ou des lunettes de sécurité avec des écrans latéraux, ainsi qu'une visière de protection intégrale si nécessaire.**
8. **Gardez les mains et les pieds à l'écart de la zone de la sortie d'éjection.**
9. **Retirez toujours la cartouche de batterie avant d'introduire les clous, de procéder au réglage, à l'inspection ou à l'entretien de l'outil ou bien après l'avoir utilisé.**
10. **Avant d'utiliser l'outil, assurez-vous que personne ne se trouve à proximité. Ne tentez jamais d'enfoncer des clous en même temps depuis l'intérieur et l'extérieur d'un mur. Cela est très dangereux, car les clous risquent alors de défoncer la pièce et/ou d'être projetés.**
11. **Regardez où vous posez les pieds et assurez-vous d'un bon équilibre pendant l'utilisation de l'outil. Si vous travaillez en hauteur, assurez-vous que personne ne se trouve dessous.**
12. **Pour éviter tout risque de choc électrique, de fuite de gaz, d'explosion, etc., provoqué par le contact avec des fils dénudés, des conduites ou des tuyaux de gaz, vérifiez les murs, le plafond, le plancher, le toit, etc.**

13. N'utilisez que les clous spécifiés dans ce manuel. L'outil risque de mal fonctionner si vous utilisez tout autre type de clou.
14. N'altérez pas l'outil ou ne tentez pas de l'utiliser pour d'autres applications que l'insertion de clous.
15. N'utilisez pas l'outil sans y insérer des clous. Vous réduiriez sa durée de service.
16. Cessez immédiatement de vous en servir si vous notez une anomalie ou un fonctionnement inhabituel de l'outil.
17. Ne clouez jamais dans des matériaux susceptibles d'être percés par les clous ou de projeter ceux-ci.
18. N'activez jamais la gâchette et le levier de sécurité en même temps avant d'être prêt à enfoncer les clous sur les pièces à travailler. Laissez la pièce à travailler relâcher le levier de sécurité. Ne modifiez jamais son rôle en fixant le levier de sécurité ou en l'enfonçant avec la main.
19. Ne manipulez jamais le levier de sécurité. Vérifiez régulièrement son bon fonctionnement.
6. Ne rangez pas l'outil ou la batterie dans des endroits où la température risque d'atteindre ou de dépasser 50°C (122°F).
7. Ne jetez pas la batterie au feu même si elle est sérieusement endommagée ou complètement épuisée. La batterie peut exploser au contact du feu.
8. Veillez à ne pas laisser tomber ou heurter la batterie.
9. N'utilisez pas de batterie endommagée.

CONSERVEZ CES INSTRUCTIONS.

Conseils pour assurer la durée de vie optimale de la batterie

1. Rechargez la batterie avant qu'elle ne soit complètement épuisée. Arrêtez toujours l'outil et rechargez la batterie quand vous constatez que la puissance de l'outil diminue.
2. Ne rechargez jamais une batterie complètement chargée. La surcharge réduit la durée de service de la batterie.
3. Chargez la batterie alors que la température de la pièce se trouve entre 10°C et 40°C (50°F et 104°F). Si une batterie est chaude, laissez-la refroidir avant de la charger.
4. Si vous n'utilisez pas l'outil pendant une période prolongée, rechargez la batterie tous les six mois.

CONSERVEZ CES INSTRUCTIONS.

⚠ AVERTISSEMENT :

NE vous laissez PAS tromper (au fil d'une utilisation répétée) par un sentiment d'aisance et de familiarité avec le produit, en négligeant le respect rigoureux des consignes de sécurité qui accompagnent l'outil. Une UTILISATION INCORRECTE de l'outil ou un non-respect des consignes de sécurité indiquées dans ce manuel d'instructions peuvent causer des blessures graves.

CONSIGNES DE SÉCURITÉ IMPORTANTES

ENC007-7

POUR LA BATTERIE

1. Avant d'utiliser la batterie, veuillez lire toutes les instructions et tous les avertissements inscrits sur (1) le chargeur, (2) la batterie et (3) l'appareil alimenté par la batterie.
2. Ne démontez pas la batterie.
3. Cessez immédiatement d'utiliser l'outil si le temps de fonctionnement devient excessivement court. Il y a un risque de surchauffe, de brûlures, voire d'explosion.
4. Si l'électrolyte pénètre dans vos yeux, rincez-les à l'eau claire et consultez immédiatement un médecin. Il y a un risque de perte de la vue.
5. Évitez de court-circuiter la batterie :
 - (1) Ne touchez les bornes avec aucun matériau conducteur.
 - (2) Évitez de ranger la batterie dans un contenant où se trouvent d'autres objets métalliques tels que des clous, pièces de monnaie, etc.
 - (3) N'exposez pas la batterie à l'eau ou à la pluie. Un court-circuit de la batterie risque de provoquer un fort courant, une surchauffe, parfois des brûlures et même une panne.

DESCRIPTION DU FONCTIONNEMENT

ATTENTION :

- Veillez toujours à ce que l'appareil soit éteint et la batterie déposée avant d'effectuer des réglages ou des contrôles sur le fonctionnement de l'appareil.

Installation et retrait de la batterie (Fig. 1)

- Éteignez toujours l'outil avant d'installer ou de déposer la batterie.
- Pour retirer la batterie, faites glisser le bouton à l'avant de la batterie et sortez la batterie.
- Pour installer la batterie, alignez sa languette sur la rainure qui se trouve à l'intérieur du carter, puis glissez la batterie pour la mettre en place. Insérez-la toujours bien à fond, jusqu'à ce qu'elle se verrouille en émettant un léger clic. Si vous pouvez voir le voyant rouge sur la face supérieure du bouton, la batterie n'est pas parfaitement verrouillée. Installez-la à fond, jusqu'à ce que le voyant rouge ne soit plus visible. Sinon, elle risque de tomber accidentellement de l'outil, en vous blessant ou en blessant une personne située près de vous.
- N'appliquez pas une force excessive lors de l'installation de la batterie. Si la batterie ne glisse pas aisément, c'est qu'elle n'est pas insérée correctement.

Dispositif de sécurité (Fig. 2)

Assurez-vous que tous les dispositifs de sécurité sont en état de fonctionner avant d'utiliser l'outil. Il ne faut pas que

l'outil s'active lorsque vous appuyez uniquement sur la gâchette ou appuyez simplement le levier de sécurité contre le bois. Il ne doit s'activer que lorsque ces deux actions sont exécutées. Recherchez un éventuel dysfonctionnement à l'aide d'un outil déchargé que vous tenez éloigné de vous et des autres personnes à proximité.

REMARQUE :

- Il est possible que l'outil fonctionne un court instant lorsque vous appuyez uniquement sur la gâchette. Cela est normal. Dans ce cas, éloignez l'outil de vous et des autres personnes à proximité. Relâchez puis appuyez à nouveau sur la gâchette pour vous assurer que les dispositifs de sécurité fonctionnent correctement.

ASSEMBLAGE

ATTENTION :

- Assurez-vous toujours que vos doigts ne sont pas posés sur la gâchette et que la batterie est retirée avant d'effectuer toute intervention sur l'agrafeuse.

Agrafes

- Manipulez les agrafes et leur boîte avec soin. Si les agrafes ont été manipulées sans précaution, elles risquent de se tordre, entraînant une mauvaise alimentation en agrafes, voire un blocage.
- Évitez de ranger les agrafes dans un endroit très humide, très chaud ou exposé directement aux rayons du soleil.

ATTENTION :

- N'utilisez pas d'autres agrafes que celles qui sont indiquées dans ce manuel, ni des agrafes qui apparaissent endommagées, tordues, rouillées ou corrodées.
- N'insérez pas des agrafes de tailles différentes en même temps dans le magasin, cela entraînerait une mauvaise alimentation en agrafes, voire un blocage.

Chargement des agrafes

Retrait de la batterie.

Enfoncez le levier de sécurité à l'arrière du magasin inférieur et faites-le coulisser vers l'arrière. (Fig. 3)

Chargez les agrafes dans le magasin principal, leur base tournée vers le haut. Faites glisser le magasin inférieur vers l'avant. (Fig. 4)

Pour sécuriser le magasin inférieur en place, accrochez le levier de sécurité à l'arrière du magasin inférieur.

ATTENTION :

- Avec le magasin chargé, si l'outil est tenu tourné vers le bas et si le magasin inférieur est ouvert, les agrafes risquent de tomber et de représenter un danger pour quiconque ou tout ce qui peut se trouver en dessous. Ne perdez pas ceci de vue, particulièrement quand vous travaillez dans des lieux élevés.

Déchargement des agrafes

ATTENTION :

- Lors du retrait des agrafes, assurez-vous que vos doigts ne sont pas posés sur la gâchette ou le levier et que la cartouche de batterie est retirée de l'agrafeuse.

Une maladresse peut causer des blessures graves et des dommages matériels.

Retirez la batterie.

Enfoncez le levier de sécurité et faites coulisser le magasin en place. (Fig. 3)

Enlevez les agrafes de la partie saillante du magasin. (Fig. 5)

Crochet

ATTENTION :

- Assurez-vous toujours que vos doigts ne sont pas posés sur la gâchette ou le levier et que la batterie est retirée avant d'utiliser le crochet. (Fig. 6)

ATTENTION :

- Ne suspendez pas le crochet au ceinturon. La chute de l'agrafeuse, due au déplacement accidentel du crochet, peut engendrer un mauvais démarrage et causer des blessures.

L'outil est équipé d'un crochet pratique qui permet de le suspendre temporairement.

Il s'installe d'un côté comme de l'autre de l'outil.

Pour installer le crochet, insérez-le dans une rainure du carter de l'outil d'un côté ou de l'autre puis serrez-le avec un vis.

Pour le retirer, desserrez le vis et enlevez-le. (Fig. 7)

UTILISATION

Réglage de la profondeur (Fig. 8)

Si les agrafes sont enfoncées trop profondément ou pas suffisamment, réglez la profondeur d'insertion en tournant l'écrrou sur la partie inférieure de l'outil. Pour enfoncer davantage les agrafes, tournez l'écrrou dans le sens horaire. Pour que les agrafes restent davantage en surface, tournez l'écrrou dans le sens anti-horaire. Notez que vous devez tourner l'écrrou selon des incréments de 90° (1/4 de tour) de sorte que la rainure de l'écrrou soit parallèle au magasin.

Insertion des agrafes (Fig. 9)

Placez l'orifice d'éjection des agrafes bien à plat sur le matériau à fixer et maintenez fermement l'outil sur le matériau. Puis tirez le levier et appuyez sur la gâchette pour enfoncez les agrafes. La poignée est conçue pour que la tête de l'outil soit maintenue en place en toute sécurité avec l'index et le pouce. Après avoir enfoncé une agrafe, assurez-vous de relâcher complètement la gâchette.

Lorsque la tête de l'agrafe enfoncée reste au-dessus de la surface du matériau à fixer, enfoncez l'agrafe tout en maintenant fermement la tête de l'agrafeuse. (Fig. 10)

REMARQUE :

- Une utilisation prolongée de l'agrafeuse sur la tête des agrafes restant au-dessus de la surface du matériau à fixer risque d'endommager l'embout de l'agrafeuse et d'engendrer un blocage, etc.

Vérification des agrafes restantes

(Fig. 11)

ATTENTION :

- N'utilisez pas l'outil sans y insérer des agrafes. Vous réduirez sa durée de service.

Une lunette pratique se trouve sur le côté droit de l'outil (vue de face). Utilisez cette lunette pour vérifier la présence ou l'absence d'agrafes dans le magasin. Si aucune agrafe n'est visible à travers la fenêtre, chargez-en dans le magasin.

Retrait des agrafes coincées

AVERTISSEMENT :

- Avant de retirer les agrafes coincées, assurez-vous toujours que la gâchette est relâchée et que la cartouche de batterie est retirée.

Retirez la cartouche de batterie de l'agrafeuse. (Fig. 5) Enfoncez le levier de sécurité à l'arrière du magasin inférieur et faites-le coulisser vers l'arrière. Sortez les agrafes bloquées qui restent à l'intérieur de l'ouverture qui éjecte les agrafes dès l'apparition du problème.

MAINTENANCE

ATTENTION :

- Assurez-vous toujours que l'outil est hors tension et que la batterie est retirée avant d'y effectuer tout travail d'inspection ou d'entretien.
- N'utilisez jamais d'essence, de benzine, de diluant, d'alcool ou de produit similaire. Ces produits risquent de provoquer des décolorations, des déformations ou des fissures.

Pour assurer la SÉCURITÉ et la FIABILITÉ du produit, toute réparation et tout travail d'entretien ou de réglage doivent être effectués par un Centre de service après-vente agréé Makita, avec des pièces de rechange Makita.

ACCESSOIRES FOURNIS EN OPTION

⚠ ATTENTION :

- Ces accessoires ou pièces complémentaires sont recommandés pour être utilisés avec l'outil Makita spécifié dans ce mode d'emploi. L'utilisation de tout autre accessoire ou pièce complémentaire peut comporter un risque de blessure. N'utilisez les accessoires ou pièces qu'aux fins auxquelles ils ont été conçus.

Pour obtenir plus de détails sur ces accessoires, contactez votre Centre de service local Makita.

- Agrafes
- Divers types de batteries et chargeurs de marque Makita.
- Lunettes de sécurité

REMARQUE :

- Certains éléments de la liste peuvent être inclus en tant qu'accessoires standard dans le coffret de l'outil envoyé. Ils peuvent varier suivant les pays.

Bruit ENG905-1
Les niveaux de bruit pondéré A typiques ont été mesurés selon la norme EN60745 :

Niveau de pression sonore (L_{pA}) : 82 dB (A)
Niveau de puissance sonore (L_{WA}) : 93 dB (A)
Incertitude (K) : 3 dB (A)

Portez des protections auditives.

Vibrations

ENG900-1

La valeur totale de vibration (somme du vecteur triaxial) déterminée selon EN60745 :

Emission de vibrations (a_h) : 3,5 m/s²
Incertitude (K) : 1,5 m/s²

ENG901-1

- La valeur de l'émission des vibrations déclarée a été mesurée conformément à la méthode de test standard et peut être utilisée afin de comparer des outils entre eux.
- La valeur de l'émission des vibrations déclarée peut également être utilisée lors d'une évaluation préliminaire de l'exposition.

⚠ AVERTISSEMENT :

- Selon la manière dont l'outil est utilisé, il est possible que l'émission des vibrations pendant l'utilisation réelle de l'outil électrique diffère de la valeur de l'émission déclarée.
- Veillez à identifier les mesures de sécurité destinées à protéger l'opérateur et établies en fonction de l'estimation de l'exposition dans les conditions réelles d'utilisation (en prenant en compte toutes les étapes du cycle de fonctionnement, telles que les périodes de mise hors tension de l'outil, les périodes de fonctionnement au ralenti et les périodes de mise en route).

Pour les pays européens uniquement ENH101-15

Déclaration de conformité CE

Nous, Makita Corporation, en tant que fabricant responsable, déclarons que les machines Makita suivantes :

Désignation de l'appareil :

Agrafeuse sans fil

N° de modèle/Type : DST220, DST221

sont fabriquées en série et

sont conformes aux directives européennes suivantes :

2006/42/CE

et sont produites conformément aux normes ou documents de normalisation suivants :
EN60745

La documentation technique est disponible auprès de notre représentant en Europe qui est :

Makita International Europe Ltd.

Michigan Drive, Tongwell,

Milton Keynes, Bucks MK15 8JD, Angleterre

30. 01. 2009



Tomoyasu Kato

Directeur

Makita Corporation

3-11-8, Sumiyoshi-cho,
Anjo, Aichi, 446-8502, JAPAN

DEUTSCH (Originalanweisungen)

Erklärung der Gesamtdarstellung

- | | | |
|---------------------|-----------------------|------------------|
| 1. Roter Bereich | 7. Verriegelungshebel | 13. Mutter |
| 2. Taste | 8. Klammern | 14. Vorderseite |
| 3. Akkublock | 9. Hauptmagazin | 15. Werkstück |
| 4. Schalter | 10. Rille | 16. Rückseite |
| 5. Sicherheitshebel | 11. Einhängclip | 17. Sichtfenster |
| 6. Submagazin | 12. Schraube | |

TECHNISCHE DATEN

Modell	DST220	DST221
Klammerbreite	10 mm	10 mm
Anwendbare Klammerlänge	10 mm bis 22 mm	10 mm bis 22 mm
Klammer-Magazinkapazität	84 St.	84 St.
Gesamtlänge	247 mm	251 mm
Nettogewicht	2,3 kg	2,4 kg
Nennspannung	14,4 V Gleichspannung	18 V Gleichspannung

- Aufgrund unserer beständigen Forschungen und Weiterentwicklungen sind Änderungen an den hier angegebenen Technischen Daten ohne Vorankündigung vorbehalten.
- Die Technischen Daten und der Akkublock können in den einzelnen Ländern Abweichungen aufweisen.
- Gewicht, mit Akkublock, ermittelt gemäß EPTA-Verfahren 01/2003

Verwendungszweck ENE054-1
Das Werkzeug wurde für das Eintreiben von Klammern in Baumaterial wie z.B. Bauholz entwickelt.

Allgemeine Sicherheitshinweise für Elektrowerkzeuge

GEA010-1

⚠ WARNUNG Lesen Sie alle Sicherheitshinweise und Anweisungen sorgfältig durch. Wenn die Hinweise und Anweisungen nicht beachtet werden, besteht die Gefahr eines Stromschlags, Brands und/oder das Risiko von ernsthaften Verletzungen.

Bewahren Sie alle Hinweise und Anweisungen zur späteren Referenz gut auf.

SICHERHEITSHINWEISE ZUM AKKU-TACKER

GEB075-2

1. **Gehen Sie stets davon aus, dass sich Stiftnägel im Werkzeug befinden.** Ein sorgloser Umgang mit dem Tacker kann zu plötzlichem Auswurf von Nägeln und zu Personenschäden führen.
2. **Richten Sie das Werkzeug niemals auf sich oder andere Personen.** Bei einem ungewollten Auslösen werden Stiftnägel ausgeschossen, die schwere Verletzungen verursachen können.
3. **Lösen Sie das Werkzeug nur dann aus, wenn es fest auf das Werkstück aufgesetzt ist.** Wenn der Tacker nicht fest auf dem Werkstück aufsitzt, kann der Tacker ausschlagen.
4. **Trennen Sie das Werkzeug stets von der Stromversorgung, wenn sich ein Stiftnagel im Werkzeug verklemt hat.** Während Sie einen verhakten Stift entfernen, kann der Tacker versehentlich aktiviert werden, wenn er ans Netz angeschlossen ist.
5. **Gehen Sie beim Entfernen eines verklemtten Stiftnagels vorsichtig vor.** Beim Beheben einer Blockade kann der Mechanismus unter Druck stehen, und es kann dazu kommen, dass der Stiftnagel mit großer Kraft ausgeschossen wird.
6. **Verwenden Sie diesen Tacker nicht für das Befestigen von elektrischen Kabeln.** Das Werkzeug ist nicht für das Befestigen von Elektrokabeln vorgesehen. Die Isolierung von Elektrokabeln kann durch das Werkzeug beschädigt werden, wodurch es zu einem Stromschlag und/oder einem Brand kommen kann.
7. **Tragen Sie stets eine Arbeitsschutzbrille bzw. eine adäquate Korrektionschutzbrille und ggf. einen Gesichtsschutz.**
8. **Halten Sie Hände und Füße vom Bereich der Auswurföffnung fern.**
9. **Ziehen Sie vor dem Laden von Stiftnägeln, vor Einstellungen, Inspektionen, Wartungsarbeiten und nach Beendigung des Betriebs stets den Akkublock vom Werkzeug ab.**
10. **Vergewissern Sie sich, dass keine Personen in der Nähe sind, bevor Sie mit den Nagelarbeiten beginnen.** Nagelarbeiten dürfen niemals gleichzeitig an beiden Seiten der Wand ausgeführt werden. Nägel können durchschlagen und/oder herausfliegen und dabei eine große Gefahr darstellen.
11. **Achten Sie beim Arbeiten mit dem Werkzeug auf sicheren Stand und Gleichgewicht.** Vergewissern Sie sich, dass sich bei Arbeiten an hochgelegenen Arbeitsplätzen keine Personen unterhalb aufhalten.
12. **Überprüfen Sie vor Nagelarbeiten Wand, Decke, Fußboden, Dach und dergleichen sorgfältig, damit**

- Stiftnegel nicht in Strom fuhrende Kabel, Isolierrohre oder Gasrohre eingetrieben werden, wodurch es zu einem elektrische Schlag, Gaslecks, Explosionen usw. kommen kann.
13. Verwenden Sie ausschlielich die in dieser Anleitung vorgegebenen Stiftnegel. Bei Verwendung anderer Stiftnegel kann es zu einer Fehlfunktion des Werkzeugs kommen.
 14. Verwenden Sie das Werkzeug nicht missbruchlich, sondern ausschlielich fur das Eintreiben von Stiftnegeln.
 15. Losen Sie das Werkzeug nur dann aus, wenn sich Stiftnegel im Werkzeug befinden. Anderenfalls verkurzt sich die Lebensdauer des Werkzeugs.
 16. Brechen Sie den Betrieb sofort ab, wenn Sie einen Defekt oder etwas Ungewohnliches am Werkzeug feststellen.
 17. Treiben Sie Stiftnegel nicht in Materialien ein, die von den Stiftnegeln durchschlagen werden konnen; ein Stiftnagel wurd in diesem Fall zum Projektil.
 18. Betatigen Sie erst bei korrekter Positionierung des Werkzeugs am Werkstuck gleichzeitig den Ein/Aus-Schalter und den Sicherheitshebel. Der Sicherheitshebel muss durch das Werkstuck heruntergedruckt werden. Der Sicherheitshebel darf weder in entsicherter Stellung arretiert noch per Hand betatigt werden.
 19. Setzen Sie den Sicherheitshebel niemals auer Funktion. Prufen Sie den Sicherheitshebel regelmaig auf ordnungsgemae Funktion.

BEWAHREN SIE DIESE ANLEITUNG SORGFALTIG AUF.

WARNUNG:

Lassen Sie sich NIE durch Bequemlichkeit oder (aus fortwahrendem Gebrauch gewonnener) Vertrautheit mit dem Werkzeug dazu verleiten, die Sicherheitsregeln fur das Werkzeug zu missachten. Bei MISSBRAUCHLICHER Verwendung des Werkzeugs oder Missachtung der in diesem Handbuch enthaltenen Sicherheitshinweise kann es zu schweren Verletzungen kommen.

WICHTIGE SICHERHEITSGEDELN

ENC007-7

FUR AKKUBLOCK

1. Lesen Sie vor der Verwendung des Akkublocks alle Anweisungen und Sicherheitshinweise fur das Akkuladegerat (1), den Akku (2) und das Produkt (3), fur das der Akku verwendet wird, sorgfaltig durch.
2. Der Akkublock darf nicht zerlegt werden.
3. Falls die Betriebsdauer erheblich kurzer wird, beenden Sie den Betrieb umgehend. Andernfalls besteht die Gefahr einer Uberhitzung sowie das Risiko moglicher Verbrennungen und sogar einer Explosion.
4. Wenn Elektrolyt in Ihre Augen gerat, waschen Sie diese mit klarem Wasser aus und suchen Sie

sofort einen Arzt auf. Andernfalls konnen Sie Ihre Sehfahigkeit verlieren.

5. Vermeiden Sie einen Kurzschluss des Akkublocks:
 - (1) Die Kontakte durfen nicht mit leitendem Material in Beruhrung kommen.
 - (2) Der Akkublock darf nicht in einem Behalter aufbewahrt werden, in dem sich andere metallische Gegenstande wie beispielsweise Nagel, Munzen usw. befinden.
 - (3) Der Akkublock darf weder Feuchtigkeit noch Regen ausgesetzt werden.

Ein Kurzschluss des Akkus kann zu hohem Kriechstrom, Uberhitzung, moglichen Verbrennungen und sogar zu einer Zerstorung des Werkzeugs fuhren.
6. Werkzeug und Akkublock durfen nicht an Orten aufbewahrt werden, an denen Temperaturen von 50°C oder daruber erreicht werden konnen.
7. Beschadigte oder verbrauchte Akkus durfen nicht verbrannt werden. Der Akkublock kann in den Flammen explodieren.
8. Lassen Sie den Akku nicht fallen und vermeiden Sie Schlage gegen den Akku.
9. Verwenden Sie niemals einen beschadigten Akku.

BEWAHREN SIE DIESE ANLEITUNG SORGFALTIG AUF.

Tipps fur eine maximale Nutzungsdauer von Akkus

1. Laden Sie den Akkublock auf, bevor der Akku vollstandig entladen ist. Sobald Sie eine verringerte Leistung des Werkzeugs bemerken, beenden Sie stets den Betrieb des Werkzeugs und laden Sie den Akkublock auf.
2. Ein voll aufgeladener Akkublock darf niemals erneut geladen werden. Durch Uberladungen wird die Lebensdauer des Akkus verkurzt.
3. Laden Sie den Akkublock bei einer Zimmertemperatur von 10°C bis 40°C auf. Lassen Sie einen heien Akkublock vor dem Aufladen abkuhlen.
4. Laden Sie den Akkublock aller sechs Monate auf, wenn Sie diesen fur langere Zeit nicht verwenden.

FUNKTIONSBESCHREIBUNG

ACHTUNG:

- Schalten Sie das Werkzeug stets aus und entfernen Sie den Akkublock, bevor Sie Einstellungen oder eine Funktionsprufung des Werkzeugs vornehmen.

Einsetzen und Abnehmen des Akkublocks (Abb. 1)

- Schalten Sie das Werkzeug stets aus, bevor Sie den Akkublock einsetzen oder abnehmen.
- Zum Abnehmen des Akkublocks mussen Sie die Taste auf der Vorderseite des Akkublocks schieben und gleichzeitig den Akkublock aus dem Gerat herausziehen.

- Zum Einsetzen des Akkublocks müssen Sie die Zunge des Akkublocks an der Rille im Gehäuse ausrichten und den Akkublock in die gewünschte Position schieben. Setzen Sie den Akkublock unbedingt ganz ein, bis er mit einem Klick einrastet. Wenn Sie den roten Bereich oben auf der Taste sehen können, ist der Akkublock noch nicht ordnungsgemäß eingerastet. Setzen Sie den Akkublock vollständig ein, bis der rote Bereich nicht mehr zu sehen ist. Andernfalls kann der Akkublock versehentlich aus dem Gerät fallen und Sie oder Personen in Ihrem Umfeld verletzen.
- Wenden Sie beim Einsetzen des Akkublocks keine Gewalt an. Wenn der Akkublock nicht leicht hineingleitet, ist er nicht richtig angesetzt.

Sicherheitssystem (Abb. 2)

Vergewissern Sie sich vor der Benutzung, dass alle Sicherheitssysteme in gutem Betriebszustand sind. Das Werkzeug darf nicht auslösen, wenn nur der Auslöseschalter gezogen oder nur der Sicherheitshebel gegen das Holz gedrückt wird. Es darf nur auslösen, wenn beide Aktionen durchgeführt werden. Überprüfen Sie das Werkzeug mit leerem Magazin auf möglichen fehlerhaften Betrieb, wobei Sie es nicht auf sich selbst oder auf umstehende Personen richten.

HINWEIS:

- Es besteht die Möglichkeit, dass das Werkzeug einen Moment lang funktioniert, wenn ur der Auslöser gezogen wird. Dies ist kein Anzeichen für eine Fehlfunktion. Wenn dies der Fall ist, richten Sie das Werkzeug nicht auf sich oder andere Personen in Ihrer Umgebung. Lösen und betätigen Sie den Auslöser noch einmal, um sich zu vergewissern, dass die Sicherheitssysteme in gutem Betriebszustand sind.

MONTAGE

ACHTUNG:

- Achten Sie stets darauf, dass Sie Ihre Finger nicht am Schalter halten und dass Sie den Akkublock entnehmen, bevor Sie Arbeiten am Werkzeug ausführen.

Klammern

- Behandeln Sie Klammern und ihre Schachteln sorgfältig. Bei grober Behandlung der Klammern können sich diese verformen und der Stapel rutscht schwer nach oder verklemt.
- Vermeiden Sie die Lagerung von Klammern an sehr feuchten oder heißen Orten oder an Orten, die direktem Sonnenlicht ausgesetzt sind.

ACHTUNG:

- Verwenden Sie keine anderen als die in diesem Handbuch aufgeführten Klammern; verwenden Sie auch keine Klammern, die beschädigt, verbogen, rostig oder angegriffen sind.
- Verwenden Sie im Magazin immer nur Klammern gleicher Größe, sonst rutscht der Stapel schwer nach oder verklemt.

Laden von Klammern

Entnehmen Sie den Akkublock.

Drücken Sie den Sicherungshebel auf der Rückseite des Submagazins und schieben Sie dieses nach hinten.

(Abb. 3)

Laden Sie die Stapel mit den Füßen nach oben in das Hauptmagazin. Schieben Sie das Submagazin vor.

(Abb. 4)

Haken Sie zum Sichern des Submagazins den Sicherungshebel an der Rückseite des Submagazins ein.

ACHTUNG:

- Wenn das Werkzeug bei geladenem Magazin nach unten gehalten und das Submagazin geöffnet wird, können die Klammern herausfallen und eine Gefahr für alles und jeden darunter darstellen. Beachten Sie dies besonders bei Arbeiten an hochgelegenen Arbeitsplätzen.

Entladen der Klammern

ACHTUNG:

- Achten Sie vor dem Entfernen von Klammern darauf, dass Sie Ihre Finger nicht am Schalter oder Hebel halten und Sie den Akkublock entnehmen. Ein versehentlicher Auswurf kann Personen- und Sachschäden verursachen.

Entnehmen Sie den Akkublock.

Drücken Sie den Verriegelungshebel und schieben Sie das Magazin nach hinten. (Abb. 3)

Entnehmen Sie die Klammern aus dem Magazinschlitz.

(Abb. 5)

Haken

ACHTUNG:

- Achten Sie stets darauf, dass Sie Ihre Finger nicht am Schalter oder Hebel halten und Sie den Akkublock entnehmen, bevor Sie den Haken verwenden. (Abb. 6)

ACHTUNG:

- Hängen Sie den Haken immer an den Gürtel. Falls sich der Haken verschiebt, kann der Klammerer herunterfallen und Fehlauswürfe und Personenschäden verursachen.

Der Haken ist nützlich, wenn Sie das Werkzeug vorübergehend aufhängen möchten.

Er kann an jeder Seite des Werkzeugs befestigt werden.

Setzen Sie zur Montage den Haken in eine Rille am Werkzeuggehäuse (die Seite ist beliebig) und befestigen Sie diesen mit einer Schraube.

Zur Entfernung müssen Sie nur die Schraube lösen und den Haken herausnehmen. (Abb. 7)

BETRIEB

Tiefeneinstellung (Abb. 8)

Wenn die Klammern zu tief oder zu flach eingetrieben werden, stellen Sie die Eintriebstiefe durch Drehen der Mutter unten am Werkzeug ein. Drehen Sie die Mutter um den Uhrzeigersinn, um die Klammern tiefer einzutreiben. Drehen Sie die Mutter gegen den Uhrzeigersinn, um die Klammern flacher einzutreiben. Beachten Sie, dass die Mutter jeweils um 90° (1/4 Umdrehung) gedreht werden muss, so dass die Kerbe auf der Mutter parallel zum Magazin verläuft.

Einschlagen von Klammern (Abb. 9)

Positionieren Sie die Klammerauslassöffnung des Werkzeugs flach auf dem Werkstück und drücken Sie es fest gegen das Werkstück. Ziehen Sie anschließend den Hebel und den Auslöser, um die Klammer einzuschlagen. Der Griff ist so geformt, dass Sie den Werkzeugkopf mit dem Zeigefinger und Daumen sicher nach unten halten können. Nach dem Einschlagen der Klammer lassen Sie den Auslöser vollständig los.

Wenn der Klammerkopf an der Oberfläche blieb, schlagen Sie die Klammer ein, während Sie den Werkzeugkopf fest halten. (Abb. 10)

HINWEIS:

- Wenn während des Einschlagvorgangs der Klammerkopf fortwährend an der Oberfläche des Werkstücks bleibt, kann dies die Führung des Werkzeugs beschädigen und zu Verklebungen usw. führen.

Überprüfen der restlichen Klammern (Abb. 11)

ACHTUNG:

- Nehmen Sie das Werkzeug nicht ohne eingelegte Klammern in Betrieb. Dies verkürzt die Lebensdauer des Werkzeugs.

Auf der rechten Seite des Werkzeugs (von vorn betrachtet) befindet sich ein praktisches Sichtfenster. In diesem Sichtfenster können Sie nachsehen, ob sich Klammern im Magazin befinden. Wenn im Sichtfenster keine Klammern zu sehen sind, laden Sie Klammern in das Magazin.

Entfernen verklebter Klammern

WARNUNG:

- Stellen Sie sicher, dass der Auslöser gelöst ist und dass Sie den Akkublock entnehmen, bevor Sie verhakete Klammern entfernen.

Entfernen Sie den Akkublock aus dem Werkzeug.

(Abb. 5)

Drücken Sie den Sicherungshebel auf der Rückseite des Submagazins und schieben Sie dieses nach hinten.

Entnehmen Sie verklebte Klammern aus der Öffnung, sodass die Klammern wieder richtig ausgeworfen werden können.

WARTUNG

ACHTUNG:

- Schalten Sie das Werkzeug stets aus und entfernen Sie den Akkublock, bevor Sie Inspektionen oder Wartungsarbeiten am Werkzeug vornehmen.
- Verwenden Sie zum Reinigen niemals Kraftstoffe, Benzin, Verdünner, Alkohol oder ähnliches. Dies kann zu Verfärbungen, Verformungen oder Rissen führen.

Um die SICHERHEIT und ZUVERLÄSSIGKEIT des Produkts zu gewährleisten, sollten Reparaturen, Wartungsarbeiten und Einstellungen nur durch von Makita autorisierte Servicecenter durchgeführt und immer Makita-Ersatzteile verwendet werden.

SONDERZUBEHÖR

⚠ ACHTUNG:

- Für das in diesem Handbuch beschriebene Makita-Gerät werden die folgenden Zubehör- und Zusatzteile empfohlen. Bei Verwendung anderer Zubehör- und Zusatzteile kann es zu Verletzungen kommen.

Verwenden Sie Zubehör- und Zusatzteile nur für den vorgesehenen Zweck.

Informationen zu diesem Zubehör erhalten Sie von Ihrem Makita-Servicecenter.

- Klammern
- Verschiedene Arten von Makita-Originalakkus und -Ladegeräten
- Sicherheitsschutzbrille

HINWEIS:

- Einige der in der Liste aufgeführten Elemente sind dem Werkzeugpaket als Standardzubehör beigelegt. Diese können in den einzelnen Ländern voneinander abweichen.

Schallpegel

ENG905-1

Typischer A-bewerteter Schallpegel nach EN60745:

Schalldruckpegel (L_{pA}): 82 dB (A)

Schallleistungspegel (L_{WA}): 93 dB (A)

Unsicherheit (K): 3 dB (A)

Tragen Sie Gehörschutz.

Schwingung

ENG900-1

Schwingungsgesamtwerte (Vektorsumme dreier Achsen) nach EN60745:

Schwingungsbelastung (a_h): 3,5 m/s²

Abweichung (K): 1,5 m/s²

ENG901-1

- Der hier angegebene Wert für die erzeugten Schwingungen wurde gemäß dem genormten Testverfahren ermittelt und kann als Vergleich zu anderen Werkzeugen herangezogen werden.
- Der angegebene Wert für die erzeugten Schwingungen ist außerdem für eine vorbeugende Bewertung der Belastung zu verwenden.

⚠ WARNUNG:

- Die Schwingungsbelastung kann bei tatsächlichem Gebrauch des Elektrowerkzeugs in Abhängigkeit von der Handhabung des Elektrowerkzeugs von dem hier aufgeführten Wert abweichen.
- Stellen Sie sicher, dass Schutzmaßnahmen für den Bediener getroffen werden, die auf den unter den tatsächlichen Arbeitsbedingungen zu erwartenden Belastungen beruhen (beziehen Sie alle Bestandteile des Arbeitsablaufs ein, also zusätzlich zu den Arbeitszeiten auch Zeiten, in denen das Werkzeug ausgeschaltet ist oder ohne Last läuft).

Nur für europäische Länder

ENH101-15

EG-Konformitätserklärung

Wir, Makita Corporation als verantwortlicher Hersteller, erklären, dass die folgenden Geräte der Marke Makita:

Bezeichnung des Geräts:

Akku-Tacker

Nummer/Typ des Modells: DST220, DST221

in Serienfertigung hergestellt werden und

**den folgenden Richtlinien der Europäischen Union
genügen:**

2006/42/EG

Außerdem werden die Geräte gemäß den folgenden
Standards oder Normen gefertigt:

EN60745

Die technische Dokumentation erfolgt durch unseren
Bevollmächtigten in Europa:

Makita International Europe Ltd.

Michigan Drive, Tongwell,

Milton Keynes, Bucks MK15 8JD, England

30. 1. 2009



Tomoyasu Kato

Direktor

Makita Corporation

3-11-8, Sumiyoshi-cho,

Anjo, Aichi, 446-8502, JAPAN

ITALIANO (Istruzioni originali)

Spiegazione della vista generale

- | | | |
|-------------------------|-------------------------|---------------------------|
| 1. Indicatore rosso | 7. Levetta di blocco | 13. Dado |
| 2. Pulsante | 8. Punti metallici | 14. Parte frontale |
| 3. Batteria | 9. Scomparto principale | 15. Pezzo in lavorazione |
| 4. Grilletto | 10. Scanalatura | 16. Parte posteriore |
| 5. Leva di sicurezza | 11. Gancio | 17. Finestra di controllo |
| 6. Scomparto secondario | 12. Vite | |

CARATTERISTICHE TECNICHE

Modello	DST220	DST221
Larghezza del punto	10 mm	10 mm
Lunghezza di applicazione dei punti	10 mm - 22 mm	10 mm - 22 mm
Capacità dello scomparto punti	84 pz.	84 pz.
Lunghezza totale	247 mm	251 mm
Peso netto	2,3 kg	2,4 kg
Tensione nominale	14,4 V CC	18 V CC

- Le caratteristiche tecniche riportate di seguito sono soggette a modifiche senza preavviso in virtù del nostro programma continuo di ricerca e sviluppo.
- Le caratteristiche tecniche e le batterie possono differire da paese a paese.
- Peso, comprensivo di batterie, calcolato in base alla Procedura EPTA 01/2003

Uso previsto

ENE054-1

L'utensile è ideale per l'applicazione di punti metallici su materiali da costruzione, come il legname.

Avvertenze generali di sicurezza per l'uso dell'utensile

GEA010-1

⚠ AVVERTENZA Leggere attentamente tutte le avvertenze di sicurezza e le istruzioni. La mancata osservanza delle istruzioni e delle avvertenze riportate di seguito potrebbe provocare scosse elettriche, incendi e/o lesioni gravi.

Conservare le avvertenze e le istruzioni per riferimenti futuri.

AVVERTENZE DI SICUREZZA PER LA GRAFFETTATRICE

GEB075-2

1. **Presupporre sempre che l'utensile contenga i chiodi.** Una manipolazione non corretta della graffettatrice può risultare in un'attivazione improvvisa con lancio di chiodi, provocando lesioni personali.
2. **Non puntare mai l'utensile verso se stessi o altre persone in prossimità.** Un innesco improvviso provocherà lo sparo di chiodi, con conseguente lesione personale.
3. **Attivare l'utensile solo quando risulta appoggiato saldamente al pezzo.** Qualora l'utensile non fosse a stretto contatto con il pezzo, il chiodo potrebbe deviare dall'obiettivo.
4. **In caso di chiodi incastrati all'interno dell'utensile, scollegare lo stesso dall'alimentazione.** Qualora si proceda alla rimozione di chiodi incastrati, scollegare sempre la graffettatrice dall'alimentazione, in quanto potrebbe essere incidentalmente attivata.
5. **Nel caso di rimozione di chiodi incastrati, procedere con estrema attenzione.** Nel tentativo di liberazione del chiodo inceppato, il meccanismo potrebbe essere sottoposto a compressione e il chiodo potrebbe essere sparato.
6. **Non usare la graffettatrice come dispositivo di fissaggio di cavi elettrici.** L'utensile non è stato concepito a tale scopo e potrebbe danneggiare l'isolamento degli stessi, causando di conseguenza, rischio di scossa o incendio.
7. **Indossare sempre gli occhiali di protezione, con schermature ai lati e uno schermo facciale completo, se necessario.**
8. **Tenere le mani e i piedi lontani dall'area del foro di espulsione.**
9. **Rimuovere sempre la batteria prima di procedere al caricamento dei chiodi, effettuare le regolazioni, effettuare un controllo, manutenzione o qualsivoglia operazione.**
10. **Prima dell'utilizzo, accertarsi che non vi siano persone in prossimità. Non tentare di applicare chiodi contemporaneamente su entrambi i lati, interno ed esterno, della parete. I chiodi potrebbero trapassare e/o volare via, con grave pericolo.**
11. **Quando si utilizza l'utensile, prestare estrema attenzione alla posizione dei piedi, cercando di mantenere sempre l'equilibrio. In caso di utilizzo dell'utensile in posizioni elevate, controllare che non siano presenti persone al di sotto.**
12. **Controllare con cura le pareti, i soffitti, i pavimenti e i tetti per evitare potenziali scosse elettriche, perdite di gas, esplosioni, ecc., causate dal contatto di fili elettrici sotto tensione, condutture o tubi del gas.**
13. **Utilizzare soltanto i chiodi specificati in questo manuale. L'utilizzo di qualsiasi altro tipo di chiodi**

potrebbe provocare problemi di funzionamento dell'utensile.

14. Non compromettere l'utilizzo dell'utensile, né utilizzarlo per qualsiasi altro scopo diverso da quello specificato.
15. Non azionare l'utensile senza chiodi. Questo potrebbe provocare un deterioramento dell'utensile stesso.
16. Arrestare immediatamente la chiodatura nel caso in cui l'operatore noti nell'utensile qualcosa di errato o fuori dall'ordinario.
17. Non inchiodare su materiali che non sono in grado di accettare la chiodatura, in quanto i chiodi potrebbero volare e trasformarsi in proiettili.
18. Non attivare mai il grilletto e la leva di sicurezza contemporaneamente, tranne nel caso in cui l'utensile sia posizionato correttamente sul pezzo. Consentire la pressione del pezzo in lavorazione sulla leva di sicurezza. Non compromettere mai l'utilizzo dell'utensile agendo direttamente sulla leva di sicurezza, manualmente.
19. Non manomettere la leva di sicurezza. Controllare regolarmente la leva di sicurezza.

CONSERVARE QUESTE ISTRUZIONI.

⚠ AVVERTENZA:

Non lasciare che la familiarità acquisita con il prodotto (dovuta all'uso ripetuto) provochi l'incosservanza delle norme di sicurezza per il presente prodotto. L'uso improprio o la mancata osservanza delle norme di sicurezza contenute in questo manuale di istruzioni possono provocare gravi lesioni personali.

ISTRUZIONI IMPORTANTI PER LA SICUREZZA

ENC007-7

RELATIVE ALLA BATTERIA

1. Prima di utilizzare la batteria, leggere tutte le istruzioni e gli avvisi di sicurezza relativi a (1) caricabatteria, (2) batteria e (3) prodotto utilizzato con la batteria.
2. Non smontare la batteria.
3. Se il tempo di funzionamento è diventato eccessivamente breve, non utilizzare l'utensile. Potrebbero verificarsi surriscaldamenti, ustioni o esplosioni.
4. In caso di contatto dell'elettrolita della batteria con gli occhi, sciacquare con acqua fresca e rivolgersi immediatamente a un medico. Potrebbero verificarsi danni permanenti alla funzionalità visiva.
5. Non cortocircuitare la batteria:
 - (1) Non toccare i terminali della batteria con materiale in grado di condurre elettricità.
 - (2) Evitare di conservare la batteria a contatto con oggetti metallici quali chiodi, monete e così via.
 - (3) Non esporre le batterie all'acqua o alla pioggia.

Un cortocircuito può provocare un elevato flusso di corrente, surriscaldamento, ustioni o rotture.

6. Non conservare l'utensile e la batteria a una temperatura superiore a 50 °C.
7. Evitare di smaltire le batterie danneggiate o esaurite bruciandole. Se esposte al fuoco, le batterie possono esplodere.
8. Evitare di far cadere o di colpire la batteria.
9. Non utilizzare batterie danneggiate.

CONSERVARE QUESTE ISTRUZIONI.

Suggerimenti il prolungamento della durata della batteria

1. Caricare le batterie prima di scaricarle completamente. Se si nota una diminuzione di potenza dell'utensile, interrompere il lavoro e ricaricare la batteria.
2. Non ricaricare una batteria già completamente carica. In caso contrario, la durata operativa della batteria potrebbe ridursi.
3. Caricare la batteria in ambienti con temperatura compresa tra 10 °C e 40 °C. Prima di caricare una batteria surriscaldata, lasciarla raffreddare.
4. Caricare la batteria una volta ogni sei mesi se l'utensile rimane inutilizzato per lungo tempo.

DESCRIZIONE FUNZIONALE

ATTENZIONE:

- Accertarsi sempre che l'utensile sia spento e che la batteria sia stata rimossa prima di regolare o controllare le funzioni dell'utensile.

Installazione o rimozione della batteria (Fig. 1)

- Prima di installare o rimuovere la batteria occorre sempre spegnere l'utensile.
- Per rimuovere la batteria è sufficiente estrarla dall'utensile facendo scorrere il pulsante nella parte anteriore della batteria.
- Per installare la batteria, allineare la linguetta sulla batteria con la scanalatura nell'alloggiamento e farla scorrere in posizione. Inserire a fondo la batteria fino a quando si blocca in posizione con uno scatto. Se è visibile l'indicatore rosso sul lato superiore del pulsante significa che la batteria non è completamente inserita. Inserirla a fondo fino a quando l'indicatore rosso non è più visibile. In caso contrario potrebbe fuoriuscire accidentalmente dall'utensile e provocare danni all'operatore o a eventuali osservatori.
- Non forzare l'inserimento della batteria. Se la batteria non scorre agevolmente significa che la manovra di inserimento non è corretta.

Sistema di sicurezza (Fig. 2)

Accertarsi che tutti i sistemi di sicurezza funzionino correttamente prima dell'uso. L'utensile non deve funzionare se si tira soltanto l'interruttore di accensione o se si preme soltanto la leva di sicurezza contro il legno.

Esso deve funzionare soltanto quando si eseguono entrambe queste operazioni. Per accertarsi che non vi siano anomalie nel funzionamento, fare una prova con un utensile non caricato e puntato ben distante da se stessi o da eventuali persone presenti nello spazio circostante.

NOTA:

- Vi è la possibilità che l'utensile possa funzionare per un istante quando viene tirato solo il grilletto. Non si tratta di un problema di funzionamento. In questo caso, puntare l'utensile ben distante da se stessi e da eventuali persone presenti nello spazio circostante. Rilasciare e tirare di nuovo il grilletto per accertarsi che i sistemi di sicurezza funzionino correttamente.

MONTAGGIO

ATTENZIONE:

- Prima di effettuare una qualsiasi operazione con la spillatrice, fare sempre attenzione a non posizionare le dita sul grilletto e verificare che la batteria sia stata rimossa.

Punti metallici

- Maneggiare con cura i punti metallici e la relativa scatola. Se i punti vengono maneggiati in modo non corretto, potrebbero essere piegati e provocare un errato caricamento dei punti o il loro inceppamento.
- Non conservare i punti in un luogo molto umido o caldo. Non esporli alla luce diretta del sole.

ATTENZIONE:

- Non utilizzare punti diversi da quelli indicati nel presente manuale o punti che appaiono danneggiati, piegati, arrugginiti o corrosi.
- Non inserire punti di dimensione differente nello stesso scomparto, onde evitare un errato caricamento dei punti o il loro inceppamento.

Caricamento dei punti

Rimuovere la batteria.

Premere la leva di bloccaggio sul retro dello scomparto secondario e far scorrere indietro tale scomparto. (Fig. 3)

Caricare i punti nello scomparto principale, con i piedini rivolti verso l'alto. Far scorrere avanti lo scomparto secondario. (Fig. 4)

Per collocare lo scomparto secondario in posizione, agganciare la leva di blocco sul retro di tale scomparto.

ATTENZIONE:

- Una volta caricato lo scomparto, se l'utensile viene tenuto in verticale con lo scomparto secondario aperto, è possibile che i punti cadano e provochino pericoli per oggetti e persone nelle vicinanze. Tenere presente questa situazione soprattutto in caso di utilizzo dell'utensile in posizioni elevate.

Rimozione dei punti

ATTENZIONE:

- Prima di rimuovere i punti dall'utensile, fare sempre attenzione a non posizionare le dita sul grilletto o sulla leva senza avere rimosso la batteria. Lo sparo accidentale può provocare lesioni personali e danno alla proprietà.

Rimuovere la batteria.

Premere la leva di bloccaggio e fare scorrere indietro lo scomparto. (Fig. 3)

Estrarre i punti dallo scomparto. (Fig. 5)

Gancio

ATTENZIONE:

- Prima di caricare l'utensile, fare sempre attenzione a non posizionare le dita sul grilletto o sulla leva senza avere rimosso la batteria. (Fig. 6)

ATTENZIONE:

- Non appendere il gancio alla cintura. La caduta della spillatrice, causata dal gancio fuoriuscito incidentalmente dalla posizione, può provocare l'espulsione accidentale di chiodi e conseguenti lesioni personali.

Il gancio è utile per appendere temporaneamente l'utensile.

Può essere installato su entrambi i lati dell'utensile.

Per installare il gancio, inserirlo in una delle scanalature presenti su ambo i lati dell'alloggiamento dell'utensile e fissarlo con una vite.

Per rimuovere il gancio, allentare le viti ed estrarlo. (Fig. 7)

USO

Regolazione di profondità (Fig. 8)

Se i punti vengono inseriti troppo in profondità o troppo in superficie, regolare la profondità di lavorazione ruotando il dado posto sul lato inferiore dell'utensile. Per inserire i punti a profondità maggiori, ruotare il dado in senso orario. Per inserire i punti più in superficie, ruotare in dado in senso antiorario. Nota: il dado deve essere ruotato con incrementi di 90° (1/4 di giro), in modo tale che la scanalatura sul dado sia parallela allo scomparto.

Inserimento dei punti (Fig. 9)

Posizionare l'apertura di sparo dei punti sul materiale da fissare e tenere saldamente l'utensile a stretto contatto con il materiale. Quindi, tirare la leva e tirare il grilletto per sparare i punti. L'impugnatura è ergonomica, in modo tale da permettere il sostegno della testa dell'utensile per mezzo di indice e pollice. Dopo aver sparato un punto, rilasciare totalmente il grilletto.

Quando la testa dei punti rimane sopra la superficie da fissare, applicare di nuovo il punto tenendo saldamente la testa della spillatrice. (Fig. 10)

NOTA:

- Qualora la spillatrice venga utilizzata in modalità continua e la testa dei punti risulti sempre fuoriuscire dalla superficie del materiale da fissare, l'utensile potrebbe essere danneggiato nella parte relativa all'avvitatore, con relativo incastro di punti, ecc.

Verifica dei punti rimanenti (Fig. 11)

ATTENZIONE:

- Non azionare l'utensile senza punti. Questo potrebbe provocare un deterioramento dell'utensile stesso. Sul lato destro dell'utensile è presente una comoda finestra di controllo (quando si guarda l'utensile dal lato frontale). Utilizzare questa finestra di controllo per verificare se vi sono punti all'interno dello scomparto. Se

dalla finestra non si vedono punti, caricarli nello scomparto.

Rimozione di punti inceppati

AVVERTENZA:

- Prima di procedere alle operazioni di rimozione di punti incastrati, verificare sempre che il grilletto sia rilasciato e che la batteria sia stata rimossa.

Rimuovere la batteria dalla spillatrice. (Fig. 5)

Premere la leva di bloccaggio sul retro dello scomparto secondario e far scorrere indietro tale scomparto.

Estrarre i punti inceppati rimasti all'interno dell'apertura di sparo.

MANUTENZIONE

ATTENZIONE:

- Prima di effettuare controlli o operazioni di manutenzione, verificare sempre di aver spento l'utensile e di aver rimosso la batteria.
- Evitare assolutamente di usare benzina, diluenti, solventi, alcol o sostanze simili. In caso contrario, potrebbero verificarsi scoloriture, deformazioni o incrinature.

Per mantenere la SICUREZZA e l'AFFIDABILITÀ del prodotto, le riparazioni e qualsiasi altra operazione di manutenzione o regolazione devono essere eseguiti dai centri di assistenza autorizzati Makita utilizzando sempre parti di ricambio Makita.

ACCESSORI OPZIONALI

⚠ ATTENZIONE:

- Si consiglia l'uso dei seguenti accessori per l'utensile Makita descritto in questo manuale. L'uso di qualsiasi altro accessorio potrebbe provocare lesioni personali. Utilizzare gli accessori esclusivamente per l'uso dichiarato.

Per l'assistenza e per ulteriori informazioni su tali accessori, rivolgersi al centro assistenza Makita di zona.

- Punti metallici
- Diversi modelli di batterie e caricabatteria originali Makita
- Occhiali di protezione

NOTA:

- Alcuni degli accessori elencati potrebbero essere inclusi nella confezione dell'utensile come accessori standard. Gli accessori standard possono differire da paese a paese.

Rumore

ENG905-1

Il tipico livello di rumore ponderato "A" è determinato in conformità con la norma EN60745:

Livello di pressione sonora (L_{pA}): 82 dB (A)

Livello di potenza sonora (L_{WA}): 93 dB (A)

Variazione (K): 3 dB (A)

Indossare una protezione acustica.

Vibrazione

ENG900-1

Il valore totale della vibrazione (somma vettoriale triassiale) è determinato in conformità con la norma EN60745:

Emissione di vibrazioni (a_{h1}): 3,5 m/s²

Vibrazione (K): 1,5 m/s²

ENG901-1

- Il valore di emissione delle vibrazioni dichiarato è stato misurato in conformità con il metodo di test standard e può essere utilizzato per confrontare tra loro diversi utensili.
- Il valore dell'emissione delle vibrazioni dichiarato può anche essere usato per stime preliminari dell'esposizione.

⚠ AVVERTENZA:

- L'emissione delle vibrazioni durante l'uso effettivo dell'utensile elettrico può risultare diversa rispetto al valore dichiarato, in base alla modalità d'uso dell'utensile.
- Assicurarsi di individuare le necessarie misure di sicurezza per proteggere l'operatore in base a una stima dell'esposizione nelle condizioni reali di utilizzo (prendendo in considerazione tutte le fasi del ciclo operativo, come quante volte l'utensile viene spento e i periodi in cui rimane inattivo, oltre al tempo di avviamento).

Solo per i paesi europei

ENH101-15

Dichiarazione di conformità CE

Makita Corporation, in qualità di produttore

responsabile, dichiara che gli utensili Makita indicati di seguito:

Denominazione dell'utensile:

Graffettatrice

N. modello/Tipo: DST220, DST221

appartengono a una produzione in serie e

sono conformi alle seguenti direttive europee:

2006/42/EC

Sono inoltre prodotti in conformità con gli standard o i documenti standardizzati riportati di seguito:

EN60745

La documentazione tecnica viene conservata dal rappresentante autorizzato in Europa, ovvero:

Makita International Europe Ltd.

Michigon Drive, Tongwell,

Milton Keynes, Bucks MK15 8JD, Inghilterra

30. 1. 2009



Tomoyasu Kato

Direttore

Makita Corporation

3-11-8, Sumiyoshi-cho,

Anjo, Aichi, 446-8502, JAPAN

NEDERLANDS (Originele instructies)

Verklaring van algemene gegevens

1. Rode deel	7. Vergrendelhendel	13. Moer
2. Knop	8. Nieten	14. Voorkant
3. Accu	9. Hoofdmagazijn	15. Werkstuk
4. Trekker	10. Groef	16. Achterkant
5. Veiligheidspal	11. Haak	17. Kijkvenster
6. Submagazijn	12. Schroef	

TECHNISCHE GEGEVENS


Model	DST220	DST221
Nietbreedte	10 mm	10 mm
Toepasselijke nieltengte	10 mm t/m 22 mm	10 mm t/m 22 mm
Capaciteit van nietmagazijn	84 stuks	84 stuks
Totale lengte	247 mm	251 mm
Netto gewicht	2,3 kg	2,4 kg
Nominale spanning	14,4 V gelijkstroom	18 V gelijkstroom

- Als gevolg van ons doorlopende onderzoeks- en ontwikkelingsprogramma, zijn de technische gegevens van dit gereedschap onderhevig aan veranderingen zonder voorafgaande kennisgeving.
- Specificaties en accu's kunnen van land tot land verschillen.
- Gewicht, inclusief de accu, volgens de EPTA-procedure 01/2003

Gebruiksdoeleinden ENE054-1

Het gereedschap is bedoeld om nieten in constructiematerialen, zoals houtsoorten, te bevestigen.

Algemene veiligheidswaarschuwingen voor elektrisch gereedschap GEA010-1

 **WAARSCHUWING** Lees alle veiligheidswaarschuwingen en alle instructies. Het niet volgen van de waarschuwingen en instructies kan leiden tot elektrische schokken, brand en/of ernstig letsel.

Bewaar alle waarschuwingen en instructies om in de toekomst te kunnen raadplegen.

VEILIGHEIDSWAARSCHUWINGEN SPECIFIEK VOOR EEN ACCUNIETPISTOOL GEB075-2

1. **Ga er altijd vanuit dat in het gereedschap bevestigingsmiddelen zitten.** Onzorgvuldig omgaan met het nietpistool kan resulteren in onverwacht afschieten van bevestigingsmiddelen waardoor persoonlijk letsel kan ontstaan.
2. **Richt het gereedschap niet op uzelf of iemand in de buurt.** Onverwacht de trekker overhalen vuurt bevestigingsmiddelen af en leidt tot letsel.
3. **Schakel het gereedschap niet in als dit niet stevig tegen het werkstuk wordt gedrukt.** Als het gereedschap niet in contact staat met het werkstuk, kan het bevestigingsmiddel van het doel afbuigen.
4. **Haal de stroom van het gereedschap als een bevestigingsmiddel in het gereedschap vastzit.**
5. **Wees dus voorzichtig bij het verwijderen van een vastzittend bevestigingsmiddel.** Het mechanisme kan onder druk staan en het bevestigingsmiddel kan met kracht eruit komen terwijl u probeert de verstopping te verhelpen.
6. **Gebruik dit nietpistool niet voor het bevestigen van elektriciteitskabels.** Het is niet ontworpen voor de installatie van elektriciteitskabels en kan de isolatie van de elektriciteitskabels beschadigen en hierdoor elektrische schokken of brandgevaar veroorzaken.
7. **Gebruik altijd een beschermende bril of een veiligheidsbril met zijstukken en een spatscherm als dat nodig is.**
8. **Houd handen en voeten uit de buurt van de schietmond.**
9. **Verwijder altijd de accu voordat u nieuwe bevestigingsmiddelen laadt, tijdens afstellen, inspectie, onderhoud of nadat het werk is voltooid.**
10. **Controleer voor het bedienen dat niemand dichtbij staat. Probeer nooit tegelijkertijd van binnenuit en van buitenaf bevestigingsmiddelen in een muur te schieten. De bevestigingsmiddelen kunnen er dwars doorheen schieten of afketsen en een groot gevaar opleveren.**
11. **Zorg ervoor dat u tijdens het gebruik van het gereedschap stevig staat en uw evenwicht goed bewaart. Zorg ervoor dat niemand onder u staat als u op hogere locaties werkt.**
12. **Controleer muren, plafonds, vloeren en dergelijke grondig om te voorkomen dat door het nieten in elektrische draden, pijpen of gasleidingen een**

- elektrische schok, gaslek, explosie, enz., kan ontstaan.
13. Gebruik uitsluitend bevestigingsmiddelen die in deze gebruiksaanwijzing worden aangegeven. Door een ander soort bevestigingsmiddel te gebruiken, kan een storing in het gereedschap worden veroorzaakt.
 14. Knoei niet aan het gereedschap en gebruik het niet voor een ander doeleinde dan voor het aanbrengen van bevestigingsmiddelen.
 15. Bedien het gereedschap niet zonder dat er bevestigingsmiddelen in zitten. De levensduur van het gereedschap zal hierdoor korter worden.
 16. Stop onmiddellijk met bevestigen als u een probleem of iets vreemds opmerkt aan het gereedschap.
 17. Breng nooit bevestigingsmiddelen aan in materialen waarvan de bevestigingsmiddelen het materiaal kunnen doorboren en er doorheen kunnen vliegen.
 18. Activeer nooit op hetzelfde moment de trekker en de veiligheidspal tot u er klaar voor bent om een bevestigingsmiddel aan te brengen in het materiaal. Laat het werkstuk de veiligheidspal indrukken. Doe de werking van het apparaat niet teniet door de veiligheidspal vast te zetten of met de hand ingedrukt te houden.
 19. Knoei nooit aan de veiligheidspal. Controleer de veiligheidspal regelmatig voor een juiste toepassing.
- (1) Raak de accupolen niet aan met enig geleidend materiaal.
 - (2) Bewaar de accu niet op een plaats waar deze in aanraking kan komen met andere metalen voorwerpen, zoals spijkers, munten, enz.
 - (3) Stel de accu niet bloot aan water of regen. Kortsluiting van de accu kan leiden tot een hoge stroomsterkte, oververhitting, mogelijke brandwonden en zelfs een defect.
6. Bewaar het gereedschap en de accu niet op plaatsen waar de temperatuur kan oplopen tot 50 °C of hoger.
 7. Werp de accu niet in een vuur, zelfs niet als deze al ernstig beschadigd of helemaal versleten is. De accu kan in een vuur exploderen.
 8. Wees voorzichtig dat u de accu niet laat vallen of ergens tegenaan stoot.
 9. Gebruik nooit een beschadigde accu.

BEWAAR DEZE INSTRUCTIES.

Tips voor een lange levensduur van de accu

1. Laad de accu op voordat deze volledig leeg is. Wanneer u merkt dat het gereedschap minder vermogen heeft, stopt u met het gebruik ervan en laadt u eerst de accu op.
2. Laad nooit een volledig opgeladen accu op. Te lang opladen verkort de levensduur van de accu.
3. Laad de accu op bij een omgevingstemperatuur van 10 °C tot 40 °C. Laat een warme accu eerst afkoelen voordat u deze oplaadt.
4. Laad de accu ieder half jaar op als u deze gedurende een lange tijd niet gebruikt.

BEWAAR DEZE INSTRUCTIES.

WAARSCHUWING:

Laat u NIET misleiden door een vals gevoel van comfort en bekendheid met het gereedschap (na veelvuldig gebruik) en neem alle veiligheidsvoorschriften van het betreffende product altijd strikt in acht. VERKEERD GEBRUIK of het niet volgen van de veiligheidsinstructies in deze gebruiksaanwijzing kan leiden tot ernstig persoonlijk letsel.

BELANGRIJKE VEILIGHEIDSinSTRUCTIES ENC007-7

VOOR ACCU'S

1. Alvorens de accu in gebruik te nemen, leest u eerst alle instructies en waarschuwingsopdrachten op (1) de acculader, (2) de accu en (3) het apparaat waarin de accu wordt aangebracht.
2. Haal de accu niet uit elkaar.
3. Als de gebruikstijd aanzienlijk korter is geworden, stopt u onmiddellijk met het gebruik. Anders kan dit leiden tot kans op oververhitting, mogelijke brandwonden en zelfs een explosie.
4. Als de elektrolyt in uw ogen komt, wast u deze uit met schoon water en raadpleegt u onmiddellijk een arts. Dit kan leiden tot verlies van gezichtsvermogen.
5. Sluit de accu niet kort:

BESCHRIJVING VAN DE FUNCTIES

LET OP:

- Zorg ervoor dat het gereedschap is uitgeschakeld en dat de accu is verwijderd voordat u de werking van het gereedschap aanpast of controleert.

De accu aanbrengen en verwijderen (zie afb. 1)

- Schakel het gereedschap altijd uit voordat u de accu aanbrengt of verwijdert.
- Om de accu te verwijderen verschuift u de knop aan de voorkant van de accu en schuift u tegelijkertijd de accu van het gereedschap af.
- Om de accu aan te brengen lijnt u de lip op de accu uit met de groef in de behuizing en duwt u de accu op zijn plaats. Steek de accu zo ver mogelijk in het gereedschap tot u een klinkgeluid hoort. Als u het rode deel aan de bovenkant van de knop kunt zien, is de accuadapter niet goed aangebracht. Breng de accuadapter zo ver mogelijk aan tot het rode deel niet meer zichtbaar is. Als u dit niet doet, kan de accu per ongeluk uit het gereedschap vallen en u of anderen in uw omgeving verwonden.

- Oefen geen grote kracht uit bij het aanbrengen van de accu. Als de accu niet gemakkelijk erin kan worden geschoven, wordt deze niet goed aangebracht.

Veiligheidssysteem (zie afb. 2)

Controleer voor gebruik dat alle veiligheidssystemen goed werken. Het gereedschap mag niet werken als alleen de trekker wordt ingeknepen of als alleen de veiligheidspal op het hout wordt gedrukt. Het gereedschap mag alleen werken als beide handelingen tegelijkertijd worden uitgevoerd. Test op mogelijk verkeerde werking terwijl er geen nieten in het gereedschap zitten en dit niet op uzelf of omstanders is gericht.

OPMERKING:

- De kans bestaat dat het gereedschap kortstondig in werking treedt wanneer alleen de trekker wordt ingeknepen. Dit duidt niet op een defect. Als dit gebeurt, richt u het gereedschap weg van uzelf en omstanders.
Laat de trekker los en knijp deze opnieuw in om er zeker van te zijn dat de veiligheidssystemen goed werken.

ONDERDELEN AANBRENGEN/ VERWIJDEREN

LET OP:

- Zorg er altijd voor dat uw vingers niet zijn geplaatst op de trekker en dat de accu is verwijderd voordat u enige werkzaamheden aan het nietpistool gaat uitvoeren.

Nieten

- Wees voorzichtig bij het hanteren van de nieten en de doos ervan. Als ruw met de nieten wordt omgegaan, kunnen deze verbuigen waardoor de nieten niet goed worden aangevoerd of vastlopen.
- Voorkom dat de nieten worden opgeslagen in een zeer vochtige of warme ruimte of op een plek die is blootgesteld aan direct zonlicht.

LET OP:

- Gebruik geen nieten anders dan die beschreven in deze gebruiksaanwijzing of nieten die beschadigd, verbogen, roestig of gecorrodeerd lijken.
- Plaats geen nieten van verschillende afmetingen tegelijkertijd in het magazijn omdat hierdoor de nieten niet goed worden aangevoerd of vastlopen.

Nieten bijvullen

Verwijder de accu.

Duw tegen de vergrendelhendel op de achterkant van het submagazijn en schuif het submagazijn naar achteren eruit (zie afb. 3).

Plaats de nieten in het hoofdmagazijn met de punten omhoog gericht. Schuif het submagazijn naar voren (zie afb. 4).

Om het submagazijn op zijn plaats te vergrendelen, haakt u de vergrendelhendel op de achterkant van het submagazijn vast.

LET OP:

- Wanneer er nieten in het hoofdmagazijn zitten en het nietpistool omlaag wordt gehouden terwijl het submagazijn wordt geopend, kunnen nieten eruit vallen en een gevaar opleveren voor iets of iemand eronder.

Denk hieraan, met name wanneer u op grote hoogte werkt.

Nieten eruit halen

LET OP:

- Zorg er altijd voor dat uw vingers niet zijn geplaatst op de trekker of pal en dat de accu van het nietpistool af is gehaald bij het verwijderen van de nieten. Verkeerd schieten kan resulteren in persoonlijk letsel en beschadiging aan eigendommen.

Verwijder de accu.

Druk op de vergrendelhendel en schuif het submagazijn naar achteren eruit (zie afb. 3).

Verwijder de nieten uit het hoofdmagazijn (zie afb. 5).

Haak

LET OP:

- Zorg er altijd voor dat uw vingers niet zijn geplaatst op de trekker of pal en dat de accu is verwijderd voordat u de haak gebruikt (zie afb. 6).

LET OP:

- Hang de haak niet aan de taillieriem. Als u het nietpistool laat vallen, bijvoorbeeld doordat de haak per ongeluk verschuift, kunnen nieten per ongeluk worden afgeschoten en persoonlijk letsel worden veroorzaakt.

De haak is handig om het gereedschap tijdelijk aan op te hangen.

De haak kan aan beide kanten van het gereedschap worden bevestigd.

U bevestigt de haak door deze in een groef in de behuizing van het gereedschap te steken en vast te zetten met een schroef.

Om de haak te verwijderen, draait u de schroef los en haalt u de haak van het gereedschap af (zie afb. 7).

BEDIENING

Diepteregeling (zie afb. 8)

Als de nieten te diep of niet diep genoeg worden geschoten, stelt u de nietdiepte in door de moer op de onderkant van et gereedschap te draaien. Om de nieten dieper te schieten, draait u de moer rechtsom. Om de nieten ondieper te schieten, draait u de moer linksom. Let erop dat de moer in stappen van 90° (1/4 slag) wordt gedraaid zodat de groef in de moer parallel loopt aan het magazijn.

Nieten schieten (zie afb. 9)

Plaats de opening van het gereedschap vanwaaruit de nieten worden geschoten, vlak tegen het materiaal en houd het gereedschap stevig tegen het materiaal gedrukt. Haal de pal naar achteren en knijp daarna de trekker volledig in om de nieten te schieten. De handgreep is zo gevormd dat het gereedschap veilig naar beneden kan worden gehouden met de wijsvinger en de duim. Nadat u een niet hebt geschoten, moet u de trekker volledig loslaten.

Als de bovenkant van een geschoten niet boven het oppervlak van het materiaal blijft uitsteken, schiet u de nieten door de gereedschapskop stevig aangedrukt te houden (zie afb. 10).

OPMERKING:

- Door het nietpistool continu te gebruiken terwijl de bovenkant van de nieten boven het oppervlak van het materiaal blijven uitsteken, kan de stoter van het nietpistool worden beschadigd, kunnen nieten vastlopen, enz.

Resterende nieten controleren (zie afb. 11)

LET OP:

- Bedien het gereedschap niet zonder dat nieten zijn geplaatst. De levensduur van het gereedschap zal hierdoor verkorten.

Aan de rechterkant van het gereedschap (vanaf de voorkant bezien) bevindt zich een handig kijkvenster. Gebruik dit kijkvenster om te controleren of er nieten in het magazijn zitten. Als geen nieten zichtbaar zijn door het kijkvenster, vult u het magazijn met nieten.

Vastgelopen nieten verwijderen

WAARSCHUWING:

- Zorg er altijd voor dat de trekker los is en dat de accu is verwijderd voordat u vastgelopen nieten verwijdert.

Verwijder de accu uit het nietpistool (zie afb. 5).

Duw tegen de vergrendelhendel op de achterkant van het submagazijn en schuif het submagazijn naar achteren eruit.

Verwijder eventueel vastgelopen nieten die zijn achtergebleven in de schietmond vanwaaruit de nieten worden geschoten.

ONDERHOUD

LET OP:

- Zorg er altijd voor dat de machine is uitgeschakeld en de accu is verwijderd, voordat u een inspectie of onderhoud uitvoert.
- Gebruik nooit benzine, wasbenzine, thinner, alcohol, enz. Dit kan leiden tot verkleuren, vervormen of barsten.

Om de VEILIGHEID en BETROUWBAARHEID van het gereedschap te handhaven, dienen alle reparaties, onderhoud en afstellingen te worden uitgevoerd door een erkend Makita-servicecentrum, en altijd met gebruikmaking van originele Makita-ervangingsonderdelen.

VERKRIJGBARE ACCESSOIRES

LET OP:

- Deze accessoires of hulpstukken worden aanbevolen voor gebruik met het Makita-gereedschap dat in deze gebruiksaanwijzing wordt beschreven. Het gebruik van andere accessoires of hulpstukken kan gevaar voor persoonlijk letsel opleveren. Gebruik de accessoires of hulpstukken uitsluitend voor de aangegeven gebruiksdoeleinden.

Mocht u meer informatie willen hebben over deze accessoires, dan kunt u contact opnemen met uw plaatselijke Makita-servicecentrum.

- Nieten
- Diverse types originele Makita-accu's en acculaders
- Veiligheidsbril

OPMERKING:

- Sommige items op de lijst kunnen zijn inbegrepen in de doos van het gereedschap als standaard toebehoren. Zij kunnen van land tot land verschillen.

Geluid

ENG905-1

Het standaard A-gewogen geluidsniveau zoals vastgesteld conform EN60745:

Geluidsdrukniveau (L_{pA}): 82 dB (A)

Geluidsvermogeniveau (L_{wA}): 93 dB (A)

Onzekerheid (K): 3 dB (A)

Draag gehoorbescherming.

Trilling

ENG900-1

De totale trillingswaarde (triaxiale vectorsom) zoals vastgesteld volgens EN60745:

Trillingsemissie (a_{h1}): 3,5 m/s²

Onzekerheid (K): 1,5 m/s²

ENG901-1

- De opgegeven trillingsemissiewaarde is gemeten volgens de standaardtestmethode en kan worden gebruikt om dit gereedschap te vergelijken met andere gereedschappen.
- De opgegeven trillingsemissiewaarde kan ook worden gebruikt voor een beoordeling vooraf van de blootstelling.

WAARSCHUWING:

- De trillingsemissie tijdens het gebruik van het elektrisch gereedschap in de praktijk kan verschillen van de opgegeven trillingsemissiewaarde afhankelijk van de manier waarop het gereedschap wordt gebruikt.
- Zorg ervoor dat veiligheidsmaatregelen worden getroffen ter bescherming van de operator die zijn gebaseerd op een schatting van de blootstelling onder praktijkomstandigheden (rekening houdend met alle fasen van de bedrijfscyclus, zoals de tijdsduur gedurende welke het gereedschap is uitgeschakeld en stationair draait, naast de ingeschakelde tijdsduur).

Alleen voor Europese landen

ENH101-15

EU-verklaring van conformiteit

Wij, Makita Corporation, als de verantwoordelijke fabrikant, verklaren dat de volgende Makita-machine(s):

Aanduiding van de machine:

Accunietpistool

Modelnr./Type: DST220, DST221

in serie is geproduceerd en

Voldoen aan de volgende Europese richtlijnen:

2006/42/EG

En zijn gefabriceerd in overeenstemming met de volgende normen of genormaliseerde documenten:

EN60745

De technische documentatie wordt bewaard door onze
erkende vertegenwoordiger in Europa, te weten:

Makita International Europe Ltd.
Michigan Drive, Tongwell,
Milton Keynes, Bucks MK15 8JD, Engeland

30. 1. 2009



Tomoyasu Kato
Directeur
Makita Corporation
3-11-8, Sumiyoshi-cho,
Anjo, Aichi, 446-8502, JAPAN

ESPAÑOL (Instrucciones originales)

Descripción y visión general

- | | | |
|------------------------------------|-----------------------------------|----------------------|
| 1. Indicador rojo | 7. Palanca de bloqueo | 13. Tuerca |
| 2. Botón | 8. Grapas | 14. Parte frontal |
| 3. Cartucho de la batería | 9. Depósito alimentador principal | 15. Pieza de trabajo |
| 4. Disparador | 10. Canal de guía | 16. Parte posterior |
| 5. Palanca de seguridad | 11. Gancho | 17. Mirilla |
| 6. Depósito alimentador secundario | 12. Tornillo | |

ESPECIFICACIONES

Modelo	DST220	DST221
Ancho de grapa	10 mm	10 mm
Longitud de grapas aplicable	10 mm - 22 mm	10 mm - 22 mm
Capacidad del depósito alimentador de grapas	84 piezas	84 piezas
Longitud total	247 mm	251 mm
Peso neto	2,3 kg	2,4 kg
Tensión nominal	CC de 14,4 V	CC de 18 V

- Debido a nuestro programa continuo de investigación y desarrollo, las especificaciones aquí descritas están sujetas a cambios sin previo aviso.
- Las especificaciones y el cartucho de la batería pueden variar de un país a otro.
- Peso, con el cartucho de la batería, de acuerdo con el procedimiento EPTA 01/2003

Uso previsto

ENE054-1

La herramienta está diseñada para clavar grapas en materiales de construcción tales como la madera.

la grapadora puede activarse accidentalmente si está enchufada.

Advertencias de seguridad generales para herramientas eléctricas

GEA010-1

⚠ ADVERTENCIA Lea todas las advertencias de seguridad y todas las instrucciones. La no observancia de las advertencias y las instrucciones puede provocar descargas eléctricas, incendios y/o lesiones graves.

5. **Tenga mucho cuidado cuando despeje el atasco de una grapa.** El mecanismo puede estar comprimido y la grapa puede salir despedida al intentar despejar el atasco.
6. **No utilice esta grapadora para grapar cables eléctricos.** No está diseñada para la instalación de cables eléctricos, puede dañar el aislamiento de los cables eléctricos y provocar una descarga eléctrica o riesgo de fuego.
7. **Póngase siempre gafas de seguridad o gafas de seguridad con protectores laterales y una careta protectora completa cuando sea necesario.**
8. **Mantenga las manos y pies alejados del área del puerto de expulsión.**
9. **Extraiga siempre el cartucho de la batería antes de cargar las grapas, realizar ajustes, inspecciones, mantenimiento o tras finalizar su uso.**
10. **Asegúrese de que no haya nadie cerca antes de su uso. No intente nunca clavar grapas desde el interior y exterior de la pared al mismo tiempo. Las grapas podrían atravesar los materiales y/o salir disparadas, presentando un grave peligro.**
11. **Observe el suelo donde pisa y mantenga su equilibrio con la herramienta. Cuando trabaje en una ubicación elevada asegúrese de que nadie se encuentre debajo.**
12. **Compruebe las paredes, techos, suelos, techumbres y elementos similares con cuidado para evitar descargas eléctricas, fugas de gas, explosiones, etc., ocasionadas por la perforación de cables con tensión, conductos o tuberías de gas.**
13. **Utilice solamente las grapas especificadas en este manual. La utilización de otras grapas puede**

Guarde todas las advertencias e instrucciones para futuras consultas.

ADVERTENCIAS DE SEGURIDAD DE LA GRAPADORA SIN CABLE

GEB075-2

1. **Asuma siempre que la herramienta contiene grapas.** Un manejo descuidado de la grapadora puede provocar el disparo accidental de grapas y lesiones personales.
2. **No apunte la herramienta hacia usted mismo ni hacia nadie más que esté cerca.** Un disparo accidental descargará una grapa, que provocará lesiones.
3. **No accione la herramienta a menos que la tenga puesta firmemente contra la pieza de trabajo.** Si la herramienta no está en contacto con la pieza de trabajo, la grapa puede desviarse del objetivo.
4. **Desconecte la herramienta del suministro eléctrico cuando se atasque una grapa en la herramienta.** Mientras despeja el atasco de la grapa,

- ocasionar un mal funcionamiento de la herramienta.
14. No manipule la herramienta ni intente utilizarla para ningún otro fin que no sea clavar grapas.
 15. No utilice la herramienta sin grapas. Se acortará la vida útil de la herramienta.
 16. Pare inmediatamente la operación de grapado si nota algo incorrecto o fuera de lo normal en la herramienta.
 17. Nunca clave grapas en materiales que puedan permitir que la grapa los perforo y salga despedida como un proyectil.
 18. Nunca accione el interruptor disparador y la palanca de seguridad al mismo tiempo hasta que esté preparado para grapar piezas de trabajo. Deje que la pieza de trabajo ejerza presión sobre la palanca de seguridad. Nunca impida su funcionamiento fijando la palanca de seguridad hacia atrás ni tirando de ella con la mano.
 19. No manipule nunca la palanca de seguridad. Compruebe el funcionamiento correcto de la palanca de seguridad frecuentemente.

GUARDE ESTAS INSTRUCCIONES.

⚠ ADVERTENCIA:

No deje que la comodidad o la familiaridad con el producto (a base de utilizarlo repetidamente) sustituya la estricta observancia de las normas de seguridad del producto en cuestión. El MAL USO o la no observancia de las normas de seguridad expuestas en este manual de instrucciones pueden ocasionar graves daños corporales.

INSTRUCCIONES DE SEGURIDAD IMPORTANTES

ENC007-7

PARA EL CARTUCHO DE LA BATERÍA

1. Antes de utilizar el cartucho de la batería, lea todas las instrucciones y referencias de precaución que se encuentran en (1) el cargador de baterías, (2) la batería y (3) el producto que utiliza la batería.
2. No desmonte el cartucho de la batería.
3. Si el tiempo de funcionamiento es excesivamente corto, deje de utilizar la herramienta de inmediato. De lo contrario, existe el riesgo de sobrecalentamiento, quemaduras e incluso explosión.
4. Si se produce contacto ocular con electrolito, enjuáguese los ojos con agua limpia y acuda de urgencia al médico. Corre el riesgo de perder la visión.
5. No cortocircuite el cartucho de la batería:
 - (1) No toque los terminales con material conductor.
 - (2) Evite guardar el cartucho de la batería en un recipiente con otros objetos metálicos, como clavos, monedas, etc.

- (3) No exponga el cartucho de la batería al agua o a la lluvia. Un cortocircuito puede provocar un elevado flujo de corriente, sobrecalentamiento, quemaduras o incluso una avería.
6. No almacene la herramienta ni el cartucho de la batería en lugares donde la temperatura supere los 50°C (122°F).
7. No queme el cartucho de la batería aunque esté gravemente dañado o completamente gastado. El cartucho de la batería puede explotar si entra en contacto con fuego.
8. Procure que la batería no sufra golpes ni caídas.
9. No utilice una batería dañada.

GUARDE ESTAS INSTRUCCIONES.

Consejos para conseguir una mayor duración de la batería

1. Cargue la batería antes de que se descargue por completo. Cuando observe que la herramienta tiene menos potencia, deje de utilizarla y cargue el cartucho de la batería.
2. No recargue nunca un cartucho de batería completamente cargado. La sobrecarga acorta la vida útil de la batería.
3. Cargue el cartucho de la batería a una temperatura ambiente que oscile entre 10°C y 40°C (50°F - 104°F). Antes de cargar un cartucho de batería caliente, deje que se enfríe.
4. Cargue la batería una vez cada seis meses si no la utiliza durante un período de tiempo prolongado.

DESCRIPCIÓN DEL FUNCIONAMIENTO

PRECAUCIÓN:

- Antes de ajustar o de comprobar la herramienta, asegúrese siempre de que está apagada y de que la batería ha sido extraída.

Instalación o extracción del cartucho de la batería (Fig. 1)

- Apague siempre la herramienta antes de instalar o extraer el cartucho de la batería.
- Para quitar el cartucho de la batería, mantenga pulsado el botón de la parte frontal del cartucho y retírelo.
- Para instalar el cartucho de la batería, alinee la lengüeta situada en el cartucho de la batería con la ranura del alojamiento e insértela. Insértela siempre completamente hasta que quede firmemente sujeta y se bloquee con un clic. Si puede ver el indicador rojo de la zona superior del botón, significa que el cartucho no está completamente bloqueado. Instálole completamente hasta que el indicador rojo quede oculto. De lo contrario, el cartucho puede desprenderse accidentalmente de la herramienta y causar lesiones al operario o a alguna persona que se encuentre cerca.

- No haga fuerza al insertar el cartucho de la batería. Si no se inserta suavemente, significa que no lo está instalando correctamente.

Tenga esto en cuenta especialmente cuando trabaje en ubicaciones elevadas.

Sistema de seguridad (Fig. 2)

Asegúrese de que todos los sistemas de seguridad están en condiciones de funcionamiento antes de su utilización. La herramienta no debe funcionar si sólo se tira del disparador o si sólo se presiona la palanca de seguridad contra la madera. Solamente debe funcionar cuando se realicen ambas acciones. Pruebe si el funcionamiento es incorrecto con una herramienta descargada y apuntada en la dirección opuesta a usted y a cualquier otra persona que pueda estar a su alrededor.

NOTA:

- Existe la posibilidad de que la herramienta funcione un instante cuando sólo se tira del disparador. Esto no indica un problema. En ese caso, apunte la herramienta en la dirección opuesta a usted y a cualquier persona que pudiera estar alrededor. Libere i tire del disparador de nuevo para asegurarse de que los sistemas de seguridad funcionan correctamente.

MONTAJE

PRECAUCIÓN:

- Asegúrese siempre de que sus dedos no estén sobre el disparador o la palanca y que el cartucho de la batería se haya extraído antes de realizar cualquier trabajo en la grapadora.

Grapas

- Maneje las grapas y su caja con cuidado. Si las grapas se han manipulado bruscamente, pueden estar deformadas, lo que causaría una mala alimentación de grapas o atascos.
- Evite almacenar grapas en un lugar muy húmedo o caluroso o en un lugar expuesto a la luz solar directa.

PRECAUCIÓN:

- No utilice grapas diferentes de las indicadas en este manual o grapas que parecen dañadas, dobladas, oxidadas o corroidas.
- No inserte grapas de tamaño diferente simultáneamente en el depósito alimentador, ya que se provocaría una mala alimentación o atascos.

Carga de grapas

Extraiga el cartucho de la batería.

Pulse la palanca de bloqueo en la parte posterior del depósito alimentador secundario y deslice el depósito alimentador secundario hacia atrás. (Fig. 3)

Cargue grapas en el depósito alimentador principal con sus patas mirando hacia arriba. Deslice el depósito alimentador secundario hacia delante. (Fig. 4)

Para fijar el depósito alimentador secundario en su lugar, enganche la palanca de bloqueo en la parte posterior del depósito alimentador secundario.

PRECAUCIÓN:

- Con el depósito alimentador cargado, si la herramienta se sujeta hacia abajo y se abre el depósito alimentador secundario, las grapas pueden caer y ser un peligro para cualquier persona u objeto que esté debajo.

Descarga de grapas

PRECAUCIÓN:

- Cuando extraiga grapas, asegúrese siempre de que sus dedos no estén sobre el disparador o la palanca y el cartucho de la batería se haya extraído de la grapadora. Un disparo incorrecto puede provocar daños personales y materiales.

Extraiga el cartucho de la batería.

Pulse la palanca de bloqueo y deslice el depósito alimentador hacia atrás. (Fig. 3)

Retire las grapas de la apertura del depósito alimentador. (Fig. 5)

Gancho

PRECAUCIÓN:

- Asegúrese siempre de que sus dedos no estén sobre el disparador o la palanca y que el cartucho de la batería se haya extraído antes de usar el gancho. (Fig. 6)

PRECAUCIÓN:

- No cuelgue el gancho del cinturón. Si la grapadora se cae, lo que puede suceder si el gancho se sale de su lugar accidentalmente, se puede provocar un disparo accidental y lesiones personales.

El gancho es útil para colgar la herramienta.

Puede instalarse en cualquier lado de la herramienta.

Para instalar el gancho, insértelo en una de las ranuras situadas a ambos lados de la herramienta y, a continuación, fíjelo con un tornillo.

Para extraerlo, afloje el tornillo y quítelo. (Fig. 7)

MANEJO

Ajuste de profundidad (Fig. 8)

Si las grapas se clavan demasiado o demasiado poco, ajuste la profundidad de clavado girando la tuerca de la parte inferior de la herramienta. Para una mayor profundidad de clavado de las grapas, gire la tuerca en el sentido de las agujas del reloj. Para una menor profundidad de clavado, gire la tuerca en el sentido contrario a las agujas del reloj. Tenga en cuenta que la tuerca debe girarse en incrementos de 90° (1/4 de giro) de forma que la ranura de la tuerca quede paralela con el depósito alimentador.

Grapado (Fig. 9)

Coloque la abertura de la herramienta por la que se disparan las grapas plana sobre el material que se debe fijar y sujete la herramienta firmemente contra el material. A continuación tire de la palanca y después tire completamente del disparador para grapar. La empuñadura tiene una forma que permite sujetar la herramienta firmemente con el dedo índice y el pulgar. Tras clavar una grapa, asegúrese de soltar totalmente el disparador.

Si la cabeza de la grapa sobresale de la superficie del material que desea grapar, grape mientras sujeta el cabezal de la grapadora firmemente. (Fig. 10)

NOTA:

- El uso continuo de la grapadora con la cabeza de las grapas clavadas sobresaliendo del material que se grapa puede causar daños en el resorte de empuje de la grapadora y atascos en la grapadora, etc.

Comprobación de las grapas restantes (Fig. 11)

PRECAUCIÓN:

- No utilice la herramienta sin grapas. Se acortará la vida útil de la herramienta.

Existe una útil mirilla en el lado derecho de la herramienta (cuando se mira la herramienta desde la parte frontal). Utilice esta mirilla para comprobar si hay grapas en el depósito alimentador. Cuando no se puedan ver grapas a través de la mirilla, cargue grapas en el depósito alimentador.

Extracción de grapas atascadas

ADVERTENCIA:

- Asegúrese siempre de que el disparador se haya soltado y que el cartucho de la batería se haya extraído antes de retirar las grapas atascadas.

Extraiga el cartucho de la batería de la grapadora. (Fig. 5) Pulse la palanca de bloqueo en la parte posterior del depósito alimentador secundario y deslice el depósito alimentador secundario hacia atrás.

Retire las grapas atascadas que permanecen dentro de la apertura desde la que se disparan grapas, tal como se muestra.

MANTENIMIENTO

PRECAUCIÓN:

- Asegúrese de apagar siempre la herramienta y extraer el cartucho de la batería antes de intentar realizar cualquier trabajo de inspección o mantenimiento en ella.
- Nunca utilice gasolina, benceno, disolvente, alcohol o un producto similar. Se puede provocar una decoloración, una deformación o grietas.

Para conservar la SEGURIDAD y la FIABILIDAD del producto, los trabajos de reparación y otros trabajos de mantenimiento y ajuste deberán ser realizados en centros de servicio autorizados de Makita, utilizando siempre repuestos Makita.

ACCESORIOS OPCIONALES

⚠ PRECAUCIÓN:

- Se recomienda el uso de estos accesorios o complementos con la herramienta Makita especificada en este manual. El uso de otros accesorios o complementos puede conllevar el riesgo de ocasionar daños corporales. Utilice los accesorios o complementos solamente para su fin establecido.

Si necesita cualquier ayuda para obtener más información relativa a estos accesorios, pregunte a su centro de servicio Makita local.

- Grapas
- Diversos tipos de baterías y cargadores originales de Makita
- Gafas de seguridad

NOTA:

- Algunos elementos de la lista se pueden incluir en el paquete de la herramienta como accesorios estándar. Pueden ser diferentes de un país a otro.

Ruido

ENG905-1

Nivel de ruido típico de ponderación A establecido según EN60745:

Nivel de presión de sonido (L_{pA}): 82 dB (A)

Nivel de potencia de sonido (L_{WA}): 93 dB (A)

Incertidumbre (K): 3 dB (A)

Utilice protección para los oídos.

Vibración

ENG900-1

Valor total de vibración (suma de vectores triaxiales)

establecido según la EN60745:

Emisión de vibraciones (a_{hv}): 3,5 m/s²

Incertidumbre (K): 1,5 m/s²

ENG901-1

- El valor de emisión de vibraciones se ha medido de acuerdo con el método de prueba estándar y se puede utilizar para comparar herramientas.
- El valor de emisión de vibraciones declarado también se puede usar en una evaluación preliminar de la exposición.

⚠ ADVERTENCIA:

- La emisión de vibraciones durante el uso de la herramienta eléctrica puede diferir del valor de emisiones declarado, dependiendo de las formas en que se utiliza la herramienta.
- Asegúrese de identificar las mediciones correctas para proteger al operario, que se basan en una estimación de la exposición en condiciones de uso reales (teniendo en cuenta todas las partes del ciclo de operaciones, como los momentos en los que la herramienta está apagada y cuando funciona al ralentí además del tiempo en que está activado el interruptor).

Sólo para los países europeos

ENH101-15

Declaración de conformidad de la CE

Nosotros, Makita Corporation, en calidad de fabricante responsable, declaramos que las siguientes máquinas Makita:

Designación de la máquina:

Grapadora sin cable

Nº de modelo/Tipo: DST220, DST221

son de producción serie y

Cumplen con las siguientes Directivas europeas:

2006/42/CE

Y se han fabricado de acuerdo con los siguientes estándares o documentos estandarizados:

EN60745

La documentación técnica la conserva nuestro representante autorizado en Europa, que es:
Makita International Europe Ltd.
Michigan Drive, Tongwell,
Milton Keynes, Bucks MK15 8JD, Inglaterra

30. 1. 2009



Tomoyasu Kato
Director
Makita Corporation
3-11-8, Sumiyoshi-cho,
Anjo, Aichi, 446-8502, JAPAN

PORTUGUÊS (Instruções de origem)

Descrição geral

- | | | |
|--------------------------|-------------------------|----------------------|
| 1. Indicador vermelho | 7. Alavanca de bloqueio | 13. Porca |
| 2. Botão | 8. Agrafos | 14. Frente |
| 3. Bateria | 9. Carregador principal | 15. Peça de trabalho |
| 4. Gatilho | 10. Encaixe | 16. Traseira |
| 5. Alavanca de segurança | 11. Gancho | 17. Visor |
| 6. Sub carregador | 12. Parafuso | |

ESPECIFICAÇÕES

Modelo	DST220	DST221
Largura do agrafó	10 mm	10 mm
Comprimento dos agrafos aplicáveis	10 mm - 22 mm	10 mm - 22 mm
Capacidade do carregador de agrafos	84 unidades	84 unidades
Comprimento total	247 mm	251 mm
Peso líquido	2,3 kg	2,4 kg
Voltagem nominal	CC 14,4 V	CC 18 V

- Devido à pesquisa e desenvolvimento constantes, estas especificações estão sujeitas a alteração sem aviso prévio.
- As especificações e o cartucho da bateria podem ser diferentes consoante o país.
- Peso, com a bateria, de acordo com o procedimento EPTA de 01/2003

Utilização prevista ENE054-1

Esta ferramenta destina-se a colocar agrafos em materiais de construção tais como, por exemplo, madeiras.

Avisos gerais de segurança para ferramentas eléctricas GEA010-1

⚠ AVISO Leia todos os avisos de segurança e todas as instruções. O não cumprimento dos avisos e instruções pode resultar na ocorrência de choques eléctricos, incêndios e/ou ferimentos graves.

Guarde todos os avisos e instruções para referência futura.

AVISOS DE SEGURANÇA DO AGRAFADOR SEM FIOS GEB075-2

1. **Presuma sempre que a ferramenta contém pregos.** Um manuseamento descuidado do agrafador pode resultar no disparo acidental de pregos e em ferimentos.
2. **Não aponte a ferramenta na sua direcção nem a ninguém que se encontre por perto.** Um disparo inesperado resultará na libertação de um prego, causando ferimentos.
3. **Não accione a ferramenta a não ser que a ferramenta seja colocada firmemente contra a peça de trabalho.** Se a ferramenta não estiver em contacto com a peça de trabalho, o prego poderá ser desviado do alvo pretendido.
4. **Desligue a ferramenta da fonte de alimentação quando um prego ficar encravado.** Estando ligado, o agrafador pode ser activado acidentalmente durante a remoção de um prego encravado.
5. **Tenha cuidado ao remover um prego encravado.** O mecanismo pode estar sob pressão e o prego pode ser disparado à força enquanto tenta desencravar a pistola.
6. **Não utilize este agrafador para pregar cabos eléctricos.** A ferramenta não é adequada para instalação de cabos eléctricos e pode danificar o isolamento dos cabos, causando choques eléctricos ou riscos de incêndio.
7. **Use sempre óculos protectores ou óculos de segurança com protecção lateral e um visor de protecção completo quando necessário.**
8. **Mantenha as mãos e os pés afastados da área da porta de ejeção.**
9. **Retire sempre a bateria antes de carregar os agrafos, efectuar ajustes, inspecção, manutenção ou após a operação estar concluída.**
10. **Assegure-se de que não há ninguém nas proximidades antes de utilizar. Nunca tente inserir agrafos do lado de dentro e do lado de fora da parede ao mesmo tempo. Os agrafos podem atravessar a madeira e/ou sair disparados, apresentando um perigo muito grave.**
11. **Tenha cuidado e mantenha-se numa posição firme e equilibrada durante a utilização da ferramenta. Certifique-se de que não se encontra ninguém por baixo ao trabalhar em locais altos.**
12. **Inspeccione cuidadosamente as paredes, tectos, pisos e telhados para evitar o risco de choque eléctrico, fuga de gás, explosões, etc., que podem ser causados se ao pregar encontrar fios ligados, condutas ou canos de gás.**
13. **Utilize apenas agrafos especificados neste manual. A utilização de agrafos diferentes pode causar o mau funcionamento da ferramenta.**
14. **Não modifique a ferramenta nem tente usá-la para além de inserir agrafos.**

15. Não utilize a ferramenta sem agrafos. Tal diminui o tempo de vida funcional da ferramenta.
16. Pare de pregar imediatamente se notar qualquer problema ou algo anormal com a ferramenta.
17. Nunca agrafe em materiais que possam permitir que o agrafador perfure ou atravesse como um projectil.
18. Nunca accione o gatilho e a alavanca de segurança ao mesmo tempo até estar preparado para afixar nas peças de trabalho. Permita que a peça de trabalho empurre a alavanca de segurança. Nunca tente contrariar o objectivo da alavanca mantendo-a puxada para trás ou premindo-a manualmente.
19. Nunca adultere a alavanca de segurança. Verifique frequentemente a alavanca de segurança para assegurar o funcionamento correcto.

GUARDE ESTAS INSTRUÇÕES.

⚠ AVISO:

NÃO deixe que o conforto ou a familiaridade com o produto (adquirida de uma utilização frequente) substitua o respeito total pelas regras de segurança para utilização do produto. A UTILIZAÇÃO INCORRECTA ou o não cumprimento das regras de segurança fornecidas neste manual de instruções podem provocar ferimentos graves.

INSTRUÇÕES DE SEGURANÇA IMPORTANTES

ENC007-7

RELATIVAS À BATERIA

1. Antes de utilizar a bateria, leia as instruções e chamadas de atenção de: (1) o carregador da bateria, (2) a bateria e (3) o produto que utiliza a bateria.
2. Não desmonte a bateria.
3. Se o tempo de utilização com a bateria se tornar demasiado curto, deve parar imediatamente. Se continuar, pode causar sobreaquecimento, incêndio e mesmo explosão.
4. Se o electrólito entrar em contacto com os olhos, enxágue-os com água limpa e consulte imediatamente um médico. Os riscos incluem perda de visão.
5. Não provoque um curto-circuito na bateria:
 - (1) Não deixe que quaisquer materiais condutores entrem em contacto com os terminais da bateria.
 - (2) Evite guardar a bateria juntamente com outros objectos de metal como pregos, moedas, etc.
 - (3) Não exponha a bateria a água ou chuva. Um curto-circuito na bateria pode criar uma grande carga eléctrica, sobreaquecimento, fogo e uma quebra da corrente.
6. Não guarde a ferramenta e a bateria em locais onde a temperatura possa atingir ou exceder 50°C (122°F).

7. Não incinere a bateria, nem mesmo se esta estiver irremediavelmente danificada ou completamente gasta. Pode explodir e causar um incêndio.
8. Não a deixe cair e evite o choque com outros objectos.
9. Não utilize uma bateria danificada.

GUARDE ESTAS INSTRUÇÕES.

Sugestões para o máximo de tempo de vida da bateria

1. Não espere que a bateria se gaste completamente para voltar a carregá-la. Pare a ferramenta e carregue a bateria sempre que detectar um baixo nível de energia.
2. Nunca volte a carregar uma bateria já completamente carregada. O carregamento excessivo diminui o tempo de vida das baterias.
3. Carregue a bateria em locais onde a temperatura se situe entre 10°C e 40°C (50°F - 104°F). Se a bateria estiver quente, deixe-a arrefecer antes de iniciar o carregamento.
4. Carregue a bateria uma vez a cada seis meses se não a utilizar durante um longo período.

DESCRIÇÃO DO FUNCIONAMENTO

PRECAUÇÃO:

- Certifique-se sempre de que a ferramenta está desligada e a bateria foi removida antes de proceder a ajustamentos ou testar acessórios.

Inserir ou retirar a bateria (Fig. 1)

- Desligue sempre a ferramenta antes de instalar ou retirar a bateria.
- Para retirar a bateria, mantenha premido o botão na frente da bateria e puxe.
- Para colocar a bateria, alinhe a respectiva saliência com a calha do compartimento e encaixe-a suavemente. Insira-a completamente até fixar em posição com um clique. Se ainda estiver visível o indicador vermelho na parte superior do botão, não estará bem encaixado. Coloque-a completamente, até deixar de ver o indicador vermelho. Caso contrário, pode cair da ferramenta e causar ferimentos em si, ou em alguém que esteja perto de si.
- Não exerça força ao colocar a bateria. Se não encaixar facilmente é porque não está correctamente posicionada.

Sistema de segurança (Fig. 2)

Certifique-se de que todos os sistemas de segurança estão a funcionar adequadamente antes de utilizar a ferramenta. A ferramenta não deve funcionar caso prima apenas o gatilho ou pressão apenas a alavanca de segurança contra a madeira. Esta deve funcionar apenas ao executar ambas as acções. Teste um possível funcionamento incorrecto com a ferramenta descarregada e apontada para longe de si ou quaisquer pessoas presentes.

NOTA:

- Existe a possibilidade de a ferramenta funcionar durante um breve período, quando apenas é premido o gatilho. Isto não constitui um problema. Se tal ocorrer, aponte a ferramenta para longe de si ou quaisquer pessoas presentes. Solte e puxe novamente o gatilho, para garantir que os sistemas de segurança estão a funcionar correctamente.

MONTAGEM

PRECAUÇÃO:

- Antes de proceder a qualquer intervenção no agrafador, certifique-se sempre de que os seus dedos não se encontram no gatilho e que a bateria não se encontra no agrafador.

Agrafos

- Manuseie os agrafos e a respectiva caixa com cuidado. Se os agrafos não forem manuseados com cuidado, podem deformar-se, fazendo com que o agrafador encrave.
- Evite guardar os agrafos em lugares muito húmidos ou muito quentes ou em lugares expostos à luz solar directa.

PRECAUÇÃO:

- Não use agrafos além dos designados neste manual ou agrafos que demonstram estar danificados, dobrados, enferrujados ou corroidos.
- Não insira agrafos com tamanhos diferentes simultaneamente no carregador, pois pode encravar o agrafador.

Carregar agrafos

Retire a bateria.

Prima a alavanca de bloqueio na parte de trás do sub carregador e deslize o sub carregador para trás. (Fig. 3) Carregue os agrafos na carregador principal com os Pernos para cima. Deslize o sub carregador para a frente. (Fig. 4)

Para engatar bem o sub carregador, engate a alavanca de bloqueio na parte de trás do sub carregador.

PRECAUÇÃO:

- Com o carregador carregado, se a ferramenta for segurada para baixo e o sub carregador for aberto, os agrafos podem cair e criar perigo a quem estiver em baixo. Lembre-se disto, especialmente quando trabalhar em locais altos.

Descarregar agrafos

PRECAUÇÃO:

- Ao retirar os agrafos, certifique-se de que os seus dedos não se encontram no gatilho ou na alavanca e que a bateria não se encontra no agrafador. Disparos acidentais podem causar ferimentos e danos materiais.

Retire a bateria.

Prima a alavanca de bloqueio e deslize o carregador para trás. (Fig. 3)

Retire os agrafos da ranhura do carregador. (Fig. 5)

Gancho

PRECAUÇÃO:

- Antes de utilizar o gancho, certifique-se sempre de que os seus dedos não se encontram no gatilho ou na alavanca e que a bateria não se encontra na ferramenta. (Fig. 6)

PRECAUÇÃO:

- Não pendure o gancho no cinto. Deixar cair o agrafador, o que pode acontecer caso o gancho se desenganche acidentalmente, pode causar um disparo acidental e ferimentos.

O gancho é muito útil para pendurar a ferramenta quando necessário.

Podem ser instalados de qualquer dos lados.

Para instalar o gancho, insira-o numa das ranhuras do corpo da ferramenta, em qualquer dos lados e, em seguida, fixe-o com um parafuso.

Para o remover, basta desapertar o parafuso. (Fig. 7)

FUNCIONAMENTO

Ajuste da profundidade (Fig. 8)

Se os agrafos forem agrafados demasiado ou pouco profundamente, ajuste a profundidade de agrafamento rodando a porca no fundo da ferramenta. Para agrafar com maior profundidade, rode a porca para a direita. Para agrafar com menor profundidade, rode a porca para a esquerda. Note que a porca deve ser rodada em incrementos de 90° (1/4 de volta), de forma a que a ranhura na porca fique paralela ao carregador.

Agrafar (Fig. 9)

Encoste a abertura por onde os agrafos são disparados no material a pregar e segure firmemente a ferramenta contra o material. De seguida, puxe a alavanca e depois prima completamente o gatilho para inserir os agrafos. A pega está configurada de forma a que a cabeça da ferramenta possa ser segurada com o dedo indicador e o polegar. Após a inserção de um agrafado, solte completamente o gatilho.

Quando a cabeça do agrafado inserido permanece acima da superfície do material a pregar, insira o agrafado enquanto segura firmemente a cabeça do agrafador. (Fig. 10)

NOTA:

- A utilização contínua do agrafador em casos em que a cabeça de agrafos disparados permanece acima da superfície do material a pregar pode causar danos no agrafador, bem como encravamento de agrafos, etc..

Verificar os restantes agrafos (Fig. 11)

PRECAUÇÃO:

- Não utilize a ferramenta sem afixação. Tal diminui o tempo de vida funcional da ferramenta.

Existe um visor conveniente no lado direito da ferramenta (quando olha para a ferramenta de frente). Utilize este visor para verificar se existem agrafos no carregador.

Quando não forem visíveis agrafos através do visor, carregue afixação no carregador.

Retirar os agrafos encravados

ENG901-1

AVISO:

- Antes de retirar agrafos encravados, certifique-se sempre de que o gatilho está libertado e de que a bateria não se encontra na ferramenta.

Retire a bateria do agrafador. (Fig. 5)

Prima a alavanca de bloqueio na parte de trás do sub carregador e deslize o sub carregador para trás.

Retire os agrafos presos que permanecem dentro da abertura por onde são disparados à medida que aparece.

MANUTENÇÃO

PRECAUÇÃO:

- Certifique-se sempre de que a ferramenta está desligada e a bateria removida antes de efectuar operações de inspecção ou de manutenção.
- Nunca utilize gasolina, benzina, diluente, álcool ou semelhante. Podem formar-se descolorações, deformações ou fissuras.

Para manter os níveis de SEGURANÇA e FIABILIDADE definidos para este produto, reparações, operações de manutenção ou ajustes devem ser executados por centros de assistência Makita autorizados e, no caso de substituição de peças, estas devem ser igualmente Makita.

ACESSÓRIOS OPCIONAIS

⚠️ PRECAUÇÃO:

- Os seguintes acessórios ou extensões são os recomendados para utilizar com a ferramenta Makita especificada neste manual. A utilização de quaisquer outros acessórios poderá representar um risco de ferimento para as pessoas. Apenas utilize o acessório para o fim indicado.

Se precisar de informações adicionais relativas aos acessórios, contacte o centro local de assistência Makita.

- Agrafos
- Vários tipos de baterias e carregadores Makita genuínos.
- Óculos protectores

NOTA:

- Alguns itens na lista podem estar incluídos no pacote de ferramentas como acessórios de série. Podem diferir de país para país.

Ruído

ENG905-1

Os níveis acústicos ponderados A típicos foram determinados segundo a EN60745:

Nível de pressão sonora (L_{pA}): 82 dB (A)

Nível de potência sonora (L_{WA}): 93 dB (A)

Imprecisão (K): 3 dB (A)

Use protecção para os ouvidos.

Vibração

ENG900-1

O valor total da vibração (soma vectorial triaxial) é determinado segundo a EN60745:

Emissão de vibração (a_{hv}): 3,5 m/s²

Imprecisão (K): 1,5 m/s²

- O valor da emissão de vibração declarado foi medido de acordo com o método de teste padrão e pode ser utilizado para comparar uma ferramenta com outra.
- O valor da emissão de vibração declarado pode também ser utilizado numa avaliação preliminar de exposição.

⚠️ AVISO:

- A emissão de vibração durante a utilização real da ferramenta eléctrica pode ser diferente do valor de emissão declarado, dependendo da forma como a ferramenta é utilizada.
- Certifique-se de que identifica medidas de segurança, para proteger o operador, que são baseadas numa estimativa de exposição nas condições reais de utilização (tendo em conta todas as partes do ciclo de funcionamento, como as vezes que a ferramenta é desligada e quando está a trabalhar ao ralenti, além do tempo de utilização).

Apenas para os países europeus

ENH101-15

Declaração de conformidade CE

A Makita Corporation, na qualidade do fabricante responsável, declara que a(s) máquina(s) Makita seguinte(s):

Designação da máquina:

Agrafador sem fios

N.º de modelo/Tipo: DST220, DST221

são produzidas em série e

estão em conformidade com as Directivas Europeias seguintes:

2006/42/EC

E são fabricadas de acordo com as normas ou os documentos padronizados seguintes:

EN60745

A documentação técnica é mantida pelo nosso representante autorizado na Europa, que é:

Makita International Europe Ltd.

Michigan Drive, Tongwell,

Milton Keynes, Bucks MK15 8JD, Inglaterra

30. 1. 2009



Tomoyasu Kato

Director

Makita Corporation

3-11-8, Sumiyoshi-cho,

Anjo, Aichi, 446-8502, JAPAN

DANSK (Originalvejledning)

Forklaring til generel oversigt

1. Rød indikator	7. Låsearm	13. Møtrik
2. Knap	8. Hæfteklammer	14. Forside
3. Batteripakke	9. Hovedmagasin	15. Arbejdsemne
4. Aftrækker	10. Rille	16. Bagside
5. Sikkerhedshåndtag	11. Krog	17. Vindue til tjek af hæfteklammer
6. Undermagasin	12. Skrue	

SPECIFIKATIONER


Model	DST220	DST221
Bredde på hæfteklammer	10 mm	10 mm
Gældende bredde på hæfteklammer	10-22 mm	10-22 mm
Kapacitet af hæfteklammemagasin	84 stk.	84 stk.
Længde i alt	247 mm	251 mm
Nettovægt	2,3 kg	2,4 kg
Nominal spænding	14,4 V DC	18 V DC

- På grund af vores løbende forsknings- og udviklingsprogram kan specifikationerne heri ændres uden forudgående varsel.
- Specifikationerne og batteripakken kan variere fra land til land.
- Vægt, inklusive batteripakken, i henhold til EPTA-Procedure 01/2003

Tilsigtet brug ENE054-1

Værktøjet er beregnet til at skyde hæfteklammer ind i byggematerialer såsom tømmer.

Generelle sikkerhedsadvarsler for maskiner GEA010-1

 **ADVARSEL Læs alle sikkerhedsadvarsler og alle instruktioner.** Hvis De ikke følger alle advarsler og instruktioner, kan det medføre elektrisk stød, brand og/eller alvorlig personskade.

Gem alle advarsler og instruktioner til senere reference.

SIKKERHEDSADVARSLER FOR KABELFRI HÆFTEPISTOL GEB075-2

1. **Gå altid ud fra at værktøjet indeholder klammer.** Skødesløs håndtering af hæftepistolen kan resultere i uventet affiring af klammer, der kan forårsage personskader.
2. **Ret ikke værktøjet mod dig selv eller andre i nærheden.** Uventet tryk på aftrækkeren vil afskyde klammen og forårsage skader.
3. **Aktiver ikke værktøjet, medmindre det er placeret fast mod arbejdsemnet.** Hvis værktøjet ikke er i kontakt med arbejdsemnet, kan klammen muligvis afvige fra dit mål.
4. **Afbryd værktøjet fra strømforsyningen når en klamme sidder fast i værktøjet.** Når du fjerner en fastklemt klamme, kan hæftepistolen aktiveres ved et uheld, hvis den er koblet til en strømforsyning.
5. **Vær forsigtig når du fjerner en fastklemt klamme.** Mekanismen kan være under tryk, og klammen kan affyres med stor kraft, mens du forsøger at fjerne blokeringen.
6. **Anvend ikke denne hæftepistol til fastgørelse af elkabler.** Den er ikke beregnet til fastgørelse af elkabler, og det kan skade elkablets isolering og dermed forårsage elektrisk stød eller brandfare.
7. **Bær altid sikkerhedsbriller med sideskjold, samt et komplet visir, hvis det er påkrævet.**
8. **Hold hænder og fødder borte fra området omkring udstødtsporten.**
9. **Fjern altid batteripakken, før du isætter klammerne eller justerer, inspicerer eller vedligeholder hæftepistolen, eller efter endt brug.**
10. **Sørg for, at der ikke er andre i nærheden, før arbejdet påbegyndes.** Forsøg aldrig at hæfte klammer i fra både indersiden og ydersiden af væggen på samme tid. Klammerne kan gå igennem og/eller flyve væk og udgøre en alvorlig fare.
11. **Vær opmærksom på fodfæstet, og hold balancen med værktøjet.** Sørg for, at der ikke er nogen under dig, når du benytter værktøjet på højtliggende steder.
12. **Kontroller vægge, lofter, gulve, tage og lignende omhyggeligt for at undgå risiko for elektrisk stød, gasudslivning, eksplosioner osv. forårsaget af hæftning af strømførende ledninger, elektriskerrør eller gasrør.**
13. **Brug kun de klammer, der er angivet i denne brugsanvisning.** Brug af andre klammer kan muligvis beskadige værktøjet.
14. **Pil ikke ved værktøjet, og forsøg ikke at bruge det til andet end til ihæftning af klammer.**
15. **Anvend ikke værktøjet uden klammer.** Dette forkorter værktøjets levetid.
16. **Stop arbejdet øjeblikkeligt, hvis du bemærker fejlfunktion eller noget unormalt ved værktøjet.**

- Hæft aldrig klammer i materialer, hvor klammen kan gennemtrænge det og gå igennem som et projektil.
- Aktiver aldrig aftrækkeren og sikkerhedshåndtaget på samme tid, medmindre du er klar til at hæfte klammer i arbejdsområdet. Giv arbejdsområdet mulighed for at trykke sikkerhedshåndtaget ned. Sikkerhedshåndtaget må aldrig fastgøres i tilbagepositionen eller nedtrykkes med hånden.
- Pil aldrig ved sikkerhedshåndtaget. Kontroller ofte sikkerhedshåndtaget for at sikre korrekt brug.

GEM DISSE INSTRUKTIONER.

⚠ ADVARSEL:

LAD IKKE tryghed eller kendskab til produktet (fra gentagen brug) føre til, at du ikke strengt overholder sikkerhedsreglerne for det gældende produkt. MISBRUG eller manglende overholdelse af sikkerhedsreglerne i denne brugsanvisning kan medføre alvorlig personskade.

VIGTIGE SIKKERHEDSINSTRUKTIONER

ENC007-7

FOR BATTERIPAKKEN

- Før brugen af batteripakken skal du læse alle instruktioner og advarsler på (1) batteriopladeren, (2) batteriet og (3) det produkt, som batteriet anvendes i.
- Skil ikke batteripakken ad.
- Hvis driftstiden bliver betydeligt kortere, skal du straks ophøre med brugen. Brug kan medføre risiko for overophedning, risiko for forbrændinger eller endog eksplosion.
- Hvis du får elektrolyt i øjnene, skal du med det samme rense øjnene med rent vand og søge læge. Dette kan medføre tab af synet.
- Kortslut ikke batteripakken:
 - Undgå at røre ved terminalerne med ledende materiale.
 - Undgå at opbevare batteripakken i en beholder med andre metalgenstande som f.eks. søm, mønter osv.
 - Udsæt ikke batteripakken for vand eller regn. Hvis batteriet kortsluttes, kan det medføre voldsom strøm, overophedning, mulige forbrændinger og endog nedbrud.
- Undgå at opbevare værktøjet og batteripakken på steder, hvor temperaturen kan komme op på eller overstige 50°C.
- Sæt ikke ild til batteripakken, selvom den er alvorligt beskadiget eller helt udtjent. Batteripakken kan eksplodere ved brand.
- Undgå at tabe eller slå på batteriet.
- Undlad brug af et beskadiget batteri.

GEM DISSE INSTRUKTIONER.

Tips til, hvordan du forlænger batteriets levetid

- Oplad batteripakken, før den bliver helt afladet. Ophør med at bruge værktøjet, og udskeft batteripakken, hvis strømmen til værktøjet aftager.
- Oplad aldrig en fuldt opladet batteripakke. Overopladning forkorter batteriets levetid.
- Oplad batteripakken ved stuetemperatur på 10°C - 40°C. Lad batteripakken køle ned før den oplades, hvis den er varm.
- Oplad batteripakken en gang hver sjette måned, hvis du ikke bruger det i lang tid.

FUNKTIONSBESKRIVELSE

FORSIGTIG:

- Sørg altid for, at værktøjet er slukket, og at batteripakken er taget ud, før De justerer værktøjet eller kontrollerer dets funktion.

Montering eller afmontering af batteripakken (Fig. 1)

- Sluk altid for maskinen inden montering eller afmontering af batteripakken.
- Afmonter batteripakken ved at holde ned på knappen foran på batteripakken og skubbe den af maskinen.
- Ved montering af batteripakken justeres tungen på batteripakken med rillen i huset, hvorefter pakken skubbes på plads. Sæt den altid hele vejen ind, indtil den låses på plads med et lille klik. Hvis den røde indikator øverst på knappen er synlig, er batteripakken ikke låst helt fast. Sæt den helt ind, indtil den røde indikator ikke er synlig. Ellers kan den falde ud af maskinen og skade dig eller andre personer i nærheden.
- Brug ikke magt ved montering af batteripakken. Hvis den ikke glider let ind, er den ikke indsat korrekt.

Sikkerhedssystem (Fig. 2)

Sørg for, at alle sikkerhedssystemer fungerer før anvendelsen. Værktøjet må ikke betjenes, når der kun trækkes i aftrækkeren, eller hvis kun kontaktarmen trykkes mod træet. Det må kun fungere, når begge disse handlinger udføres. Tjek værktøjet for fejl, mens det ikke er ladet, og mens det peger væk fra Dem selv og andre.

BEMÆRK:

- Det er muligt, at værktøjet kan fungere i et kort øjeblik, selvom der kun trækkes i aftrækkeren. Det betyder ikke, at der er et problem. Skulle dette ske, skal De pege værktøjet væk fra Dem selv og andre personer. Slip og træk i aftrækkeren igen for at sikre, at sikkerhedssystemerne fungerer, som de skal.

MONTERING

FORSIGTIG:

- Kontroller altid, at Deres fingre ikke er placeret på aftrækkeren, og at batteripakken er fjernet, før hæftepistolen vedligeholdes.

Hæfteklammer

- Håndter hæfteklammer og æsken med dem forsigtigt. Hvis hæfteklammerne håndteres for hårdt, kan de blive

bøjede, hvilket kan give en dårlig fremføring af hæftelammer eller fastklemning.

- Undgå at opbevare hæftelammer på fugtige eller varme steder eller på steder, der er udsat for direkte sollys.

FORSIGTIG:

- Brug ikke andre hæftelammer end dem, der er angivet i denne brugsanvisning, eller hæftelammer, der ser ud til at være beskadigede, bøjede, mærkede af rust eller korroderede.
- Sæt ikke hæftelammer af forskellig størrelse i magasinet samtidigt, da det kan forringet fremføring af hæftelammer eller fastklemning.

Isætning af hæftelammer

Fjern batteripakken.

Tryk på låsehåndtaget bag på undermagasinet, og skyd undermagasinet bagud. (Fig. 3)

Sæt hæftelammer i hovedmagasinet, så benene peger opad. Skyd undermagasinet fremad. (Fig. 4)

For at sætte undermagasinet på plads fastgøres låsehåndtaget til bagsiden af undermagasinet.

FORSIGTIG:

- Når magasinet er fyldt, og hvis værktøjet holdes nedad, og magasinet er åbnet, kan der være risiko for, at hæftelammerne falder ud og udgør en fare for, hvad der måtte befinde sig nedenfor. Husk især på dette, når der arbejdes i højden.

Udtagning af hæftelammer

FORSIGTIG:

- Kontroller altid, at Deres fingre ikke er placeret på aftrækkeren eller håndtaget, og at batteripakken er fjernet, før hæftepistolen tømmes. Affyring ved uheld kan forårsage personlige skader og skader på inventar.

Fjern batteripakken.

Tryk låsehåndtaget ned, og skub magasinet tilbage.

(Fig. 3)

Fjern hæftelammerne fra magasinet. (Fig. 5)

Krog

FORSIGTIG:

- Kontroller altid, at Deres fingre ikke er placeret på aftrækkeren eller håndtaget, og at batteripakken er fjernet, før kroge anvendes. (Fig. 6)

FORSIGTIG:

- Hæng ikke kroge i livremmen. Hvis hæftepistolen tages, hvilket kan ske, hvis kroge ved et uheld løsnes, kan det forårsage forkeret affyring og personlige skader.

Kroge er nyttig til midlertidig ophængning af værktøjet. Den kan monteres i begge sider af værktøjet.

For at montere kroge indsættes den i en rille i værktøjet på en af siderne, hvorefter den fastgøres med en skrue. Den afmonteres ved at løsne skruen og tage den ud.

(Fig. 7)

BETJENING

Dybdejustering (Fig. 8)

Affyringsdybden kan indstilles ved at dreje møtrikken i bunden af værktøjet, hvis hæftelammerne ikke affyres til den rigtige dybde. Møtrikken skal drejes med uret, hvis

hæftelammerne skal længere ind. Hvis hæftelammerne ikke skal affyres helt så dybt, skal møtrikken drejes mod uret. Bemærk, at møtrikken skal drejes 90° (1/4 omgang), så møtrikkens rille løber parallelt med magasinet.

Affyring af hæftelammer (Fig. 9)

Placer munden af hæftepistolen fladt mod materialet, der skal hæftes, og hold værktøjet fast mod materialet. Aktiver derefter håndtaget, og tryk på aftrækkeren for at affyre hæftelammerne. Grebet er udformet således, at værktøjshovedet kan holdes sikkert ned med pege- og tommelfingrene. Efter affyring af en hæftelamme skal aftrækkeren slippes helt.

Når hovedet af en hæftelamme forbliver over overfladen af materialet, der skal fastgøres, skal hæftelammen affyres, samtidig med at hæftelammens top holdes fast. (Fig. 10)

BEMÆRK:

- Vedvarende brug af hæftepistolen, hvor toppen af affyrede klammer forbliver over den overflade, der skal hæftes, kan forårsage skader på hæftepistolen og fastklemning af klammer osv.

Kontrol af resterende hæftelammer

(Fig. 11)

FORSIGTIG:

- Anvend ikke værktøjet uden hæftelammer. Dette forkorter værktøjets levetid.

På højre side af værktøjet er der et brugervenligt vindue (når man ser værktøjet forfra). Brug dette vindue til at tjekke, om der er flere hæftelammer i magasinet. Hvis hæftelammerne ikke kan ses gennem vinduet, skal magasinet lades.

Fjernelse af fastklemte hæftelammer

ADVARSEL:

- Kontroller altid, at aftrækkeren er frakoblet, og at batteripakken er fjernet, før fastklemte klammer fjernes.

Fjern batteripakken fra hæftepistolen. (Fig. 5)

Tryk på låsehåndtaget bag på undermagasinet, og skyd undermagasinet bagud.

Fjern fastklemte hæftelammer, der er forblevet inden i den åbning, hvor hæftelammerne fyres ud igennem, når de dukker op.

VEDLIGEHOOLDELSE

FORSIGTIG:

- Sørg altid for, at værktøjet er slukket, og at batteripakken er taget ud, før De forsøger at udføre inspektion eller vedligeholdelse.
- Brug aldrig benzin, benzen, fortynder, alkohol eller lignende. Det kan muligvis medføre misfarvning, deformation eller revner.

For at holde produktet SIKKERT og PÅLIDELIGT skal reparationer samt al anden vedligeholdelse eller justering udføres af autoriserede Makita-servicecentre, og der skal altid benyttes Makita-reservedele.

EKSTRAUDSTYR

FORSIGTIG:

- Dette tilbehør eller ekstraudstyr anbefales til brug med det Makita-værktøj, som er beskrevet i denne brugsanvisning. Brug af andet tilbehør eller ekstraudstyr kan forårsage personskade. Brug kun tilbehør eller ekstraudstyr til det formål, det er beregnet til.

Henvend dig til dit lokale Makita-servicecenter, hvis du har brug for hjælp eller yderligere oplysninger vedrørende tilbehøret.

- Hæfteklammer
- Forskellige typer af originale batterier og opladere fra Makita
- Sikkerhedsbriller

BEMÆRK:

- Visse dele på listen er muligvis indeholdt maskinindpakningen som standardtilbehør. De kan variere fra land til land.

Støj

ENG905-1

Det typiske A-vægtede støjniveau bestemt i overensstemmelse med EN60745:

Lydtrykniveau (L_{pA}): 82 dB (A)

Lydkræftniveau (L_{WA}): 93 dB (A)

Usikkerhed (K): 3 dB (A)

Bær høreværn.

Vibration

ENG900-1

Den samlede vibrationsværdi (treaksial vektorsum) bestemt i overensstemmelse med EN60745:

Vibrationsemission (a_h): 3,5 m/s²

Usikkerhed (K): 1,5 m/s²

ENG901-1

- Den opgivne vibrationsemissionsværdi er målt i overensstemmelse med standardtestmetoden og kan bruges til at sammenligne et værktøj med et andet.
- Den opgivne vibrationsemissionsværdi kan muligvis også bruges til en indledende eksponeringsvurdering.

ADVARSEL:

- Vibrationsemissionen under den faktiske brug af maskinen kan afvige fra den opgivne emissionsværdi afhængigt af den måde, maskinen anvendes på.
- Sørg for at bestemme sikkerhedsforanstaltninger for beskyttelse af operatøren, som er baseret på en eksponeringsvurdering for brug under faktiske forhold (hvor alle anvendelsescyklussens dele inddrages, som f.eks. antal gange maskinen slukkes, og når den kører i tomgang ud over triggertiden).

Kun for lande i Europa

ENH101-15

EF-overensstemmelseserklæring

Vi, Makita Corporation, erklærer som ansvarlig producent at følgende Makita-maskine(r):

Maskinens betegnelse:

Kabelfri hæftepistol

Modelnummer/type: DST220, DST221

er en produktionsserie og

Overholder følgende europæiske direktiver:

2006/42/EF

Og er produceret i overensstemmelse med følgende standarder eller standardiserede dokumenter:

EN60745

Den tekniske dokumentation findes hos vores autoriserede repræsentant i Europa:

Makita International Europe Ltd.

Michigan Drive, Tongwell,

Milton Keynes, Bucks MK15 8JD, England

30. 1. 2009



Tomoyasu Kato

Direktør

Makita Corporation

3-11-8, Sumiyoshi-cho,

Anjo, Aichi, 446-8502, JAPAN

ΕΛΛΗΝΙΚΑ (Πρωτογενείς οδηγίες)

Περιγραφή γενικής όψης

- | | | |
|---------------------|-----------------------|-----------------------------|
| 1. Κόκκινη ένδειξη | 7. Μοχλός κλειδώματος | 13. Παξιμάδι |
| 2. Κουμπί | 8. Συνδετήρες | 14. Μπροστά |
| 3. Μπαταρία | 9. Κύριος γεμιστήρας | 15. Τεμάχιο εργασίας |
| 4. Σκανδάλη | 10. Εγκοπτή | 16. Πίσω |
| 5. Μοχλός ασφαλείας | 11. Γάντζος | 17. Παράθυρο παρακολούθησης |
| 6. Έμβολο γεμιστήρα | 12. Βίδα | |

ΠΡΟΔΙΑΓΡΑΦΕΣ

Μοντέλο	DST220	DST221
Πλάτος συνδετήρων	10 χιλ	10 χιλ
Εφαρμόσιμο μήκος συνδετήρων	10 χιλ - 22 χιλ	10 χιλ - 22 χιλ
Χωρητικότητα συνδετήρων του γεμιστήρα	84 τεμ.	84 τεμ.
Ολικό μήκος	247 χιλ	251 χιλ
Καθαρό βάρος	2,3 κιλά	2,4 κιλά
Ονομαστική τιμή τάσης	D.C. 14,4 V	D.C. 18 V

- Λόγω του συνεχόμενου προγράμματος που εφαρμόζουμε για έρευνα και ανάπτυξη, τα τεχνικά χαρακτηριστικά στο παρόν έντυπο υπόκεινται σε αλλαγή χωρίς προειδοποίηση.
- Τα τεχνικά χαρακτηριστικά και η μπαταρία ενδέχεται να διαφέρουν από χώρα σε χώρα.
- Βάρος μαζί με την μπαταρία σύμφωνα με τη διαδικασία της EPTA 01/2003

Προοριζόμενη χρήση

ENE054-1

Το εργαλείο προορίζεται για την πίεση συνδετήρων σε υλικά κατασκευής όπως κορμούς.

Γενικές Προειδοποιήσεις Ασφαλείας Του Ηλεκτρικού Εργαλείου

GEA010-1

⚠ ΠΡΟΕΙΔΟΠΟΙΗΣΗ Διαβάστε όλες τις προειδοποιήσεις ασφαλείας και όλες τις οδηγίες. Αν δεν ακολουθήσετε όλες τις προειδοποιήσεις και τις οδηγίες, υπάρχει κίνδυνος ηλεκτροπληξίας, πυρκαγιάς ή/και σοβαρού τραυματισμού.

Φυλάξτε όλες τις προειδοποιήσεις και τις οδηγίες για μελλοντική αναφορά.

ΠΡΟΕΙΔΟΠΟΙΗΣΕΙΣ ΑΣΦΑΛΕΙΑΣ ΣΥΡΡΑΠΤΙΚΟΥ ΜΠΑΤΑΡΙΑΣ

GEB075-2

1. **Να θεωρείτε πάντοτε ότι το εργαλείο περιέχει συνδετήρες.** Ο απρόσεκτος χειρισμός του συρραπτικού μπορεί να έχει ως αποτέλεσμα την απροσδόκητη εκτόξευση συνδετήρων και τον τραυματισμό.
2. **Μη στοχεύετε το εργαλείο πάνω σας ή προς άλλα κοντινά άτομα.** Ένα κατά λάθος πάτημα της σκανδάλης θα εκτοξεύσει το συνδετήρα προκαλώντας τραυματισμό.
3. **Μην ενεργοποιείτε το εργαλείο εκτός αν βρίσκεται τοποθετημένο σταθερά επάνω στο τεμάχιο εργασίας.** Αν το εργαλείο δεν έχει επαφή με το τεμάχιο εργασίας, ο συνδετήρας μπορεί να εξοστρακιστεί από το στόχο σας.
4. **Αποσυνδέστε το εργαλείο από το ρεύμα όταν ο συνδετήρας κολλήσει στο εργαλείο.** Όταν αφαιρείτε ένα κολλημένο συνδετήρα, το συρραπτικό μπορεί να ενεργοποιηθεί κατά λάθος αν είναι συνδεδεμένο στο ρεύμα.
5. **Να είστε προσεκτικοί κατά την αφαίρεση ενός κολλημένου συνδετήρα.** Ο μηχανισμός μπορεί να βρίσκεται υπό πίεση και να εκτοξευτεί ο συνδετήρας όσο προσπαθείτε να ελευθερώσετε το κόλλημα.
6. **Μη χρησιμοποιείτε αυτό το συρραπτικό για τη στερέωση ηλεκτρικών καλωδίων.** Δεν έχει σχεδιαστεί για την εγκατάσταση ηλεκτρικών καλωδίων και ενδέχεται να προκαλέσει ζημιά στη μόνωση των ηλεκτρικών καλωδίων, προκαλώντας κίνδυνο ηλεκτροπληξίας ή πυρκαγιάς.
7. **Να φοράτε πάντα προστατευτικά γυαλιά ή γυαλιά με πλαινό προστατευτικό και πλήρες προστατευτικό πρόσωπο όταν είναι απαραίτητο.**
8. **Να κρατάτε τα χέρια και τα πόδια σας μακριά από την περιοχή της θύρας εκτίναξης.**
9. **Να αφαιρείτε πάντα τη μπαταρία πριν το γέμισμα του μηχανήματος με συνδετήρες, πριν από τη ρύθμιση, εξέταση ή συντήρηση του μηχανήματος ή μετά το τέλος της χρήσης του.**
10. **Να βεβαιώνετε ότι δεν βρίσκεται κανένας κοντά πριν από τη χρήση.** Ποτέ μην επιχειρήσετε να καρφώσετε συνδετήρες ταυτόχρονα από την εσωτερική και από την εξωτερική πλευρά του τοίχου. Οι συνδετήρες μπορεί να διαπεράσουν το μέσο ή/και να εκτιναχθούν, γεγονός που προκαλεί σοβαρό κίνδυνο.
11. **Να προσέχετε ώστε να στέκεστε καλά και να διατηρείτε την ισορροπία σας όταν χρησιμοποιείτε το εργαλείο.** Βεβαιωθείτε πως δεν υπάρχει κανένας από κάτω όταν εργάζεστε σε ψηλό μέρος.

12. Να ελέγχετε προσεχτικά τους τοίχους, τις οροφές, τα πατώματα, τις στέγες και παρόμοιες κατασκευές για να αποφεύγετε πιθανή ηλεκτροπληξία, διαρροή αερίου, εκρήξεις, κτλ. που προκαλούνται από συρραφή σε ηλεκτροφόρα καλώδια, αγωγούς ή σωλήνες αερίου.
13. Να χρησιμοποιείτε μόνο συνδετήρες που καθορίζονται στο εγχειρίδιο αυτό. Αν χρησιμοποιήσετε άλλους συνδετήρες, μπορεί να προκληθεί δυσλειτουργία του εργαλείου.
14. Μην παίζετε με το εργαλείο και μην επιχειρήσετε να το χρησιμοποιήσετε για άλλο σκοπό εκτός από το κάρφωμα συνδετήρων.
15. Μην θέτετε το εργαλείο σε λειτουργία χωρίς τους συνδετήρες. Η ενέργεια αυτή μειώνει τη διάρκεια ζωής του εργαλείου.
16. Σταματήστε αμέσως τις λειτουργίες καρφώματος αν παρατηρήσετε ότι κάτι δεν πάει καλά ή είναι ασυνήθιστο για το εργαλείο.
17. Ποτέ να μην καρφώσετε συνδετήρες σε οποιαδήποτε υλικό το οποίο μπορεί να προκαλέσει το σπάσιμο του συνδετήρα και την εκτόξευσή του ως βλήμα.
18. Ποτέ μην ενεργοποιείτε ταυτόχρονα το διακόπτη της σκανδάλης και το μοχλό ασφαλείας μέχρι τη στιγμή που είστε έτοιμοι να καρφώσετε τους συνδετήρες σε τεμάχια εργασίας. Επιτρέψτε στο τεμάχιο εργασίας να πιέσει το μοχλό ασφαλείας. Ποτέ μην παραβιάζετε το σκοπό του ασφαλίζοντας το μοχλό ασφαλείας προς τα πίσω ή πιέζοντάς τον με το χέρι.
19. Ποτέ μην πειράζετε το μοχλό ασφαλείας. Ελέγχετε τακτικά το μοχλό ασφαλείας για να δείτε πως λειτουργεί σωστά.
4. Αν μπει στα μάτια σας ηλεκτρολύτης, ξεπλύνετε με καθαρό νερό και αναζητήστε αμέσως ιατρική βοήθεια. Μπορεί να χάσετε την όρασή σας.
5. Μην βραχυκυκλώνετε την μπαταρία:
 - (1) Μην αγγίζετε τους ακροδέκτες με αγώγιμο υλικό.
 - (2) Μην αποθηκεύετε την μπαταρία σε δοχείο με άλλα μεταλλικά αντικείμενα, όπως καρφιά, νομίσματα, κτλ.
 - (3) Μην εκθέτετε την μπαταρία σε νερό ή βροχή. Αν βραχυκυκλωθεί η μπαταρία, μπορεί να προκληθεί μεγάλη ροή ηλεκτρικού ρεύματος, υπερθέρμανση, πιθανά εγκαύματα και ακόμη και καταστροφή της μπαταρίας.
6. Μην αποθηκεύετε το εργαλείο και την μπαταρία σε μέρη όπου η θερμοκρασία μπορεί να φτάσει ή να ξεπεράσει τους 50°C (122°F).
7. Μην αποτεφρώνετε την μπαταρία ακόμη κι αν παρουσιάζει σοβαρή ζημιά ή είναι εντελώς φθαρμένη. Η μπαταρία μπορεί να εκραγεί σε φωτιά.
8. Να προσέχετε να μη σας πέσει η μπαταρία και να μη συγκρουστεί με κάποιο αντικείμενο.
9. Μην χρησιμοποιείτε μια μπαταρία που έχει υποστεί βλάβη.

ΦΥΛΑΞΤΕ ΑΥΤΕΣ ΤΙΣ ΟΔΗΓΙΕΣ.

Συμβουλές για τη διατήρηση της μέγιστης ζωής της μπαταρίας

1. Να φορτίζετε την μπαταρία πριν αποφορτιστεί εντελώς. Πάντοτε να διακόπτετε τη λειτουργία του εργαλείου και να φορτίζετε την μπαταρία όταν παρατηρείται μειωμένη ισχύ του εργαλείου.
2. Ποτέ μην επαναφορτίζετε μια πλήρως φορτισμένη μπαταρία. Αν υπερφορτίσετε την μπαταρία, μειώνεται η ωφέλιμη διάρκεια ζωής της.
3. Να φορτίζετε την μπαταρία σε θερμοκρασία δωματίου, δηλαδή στους 10°C έως 40°C (50°F έως 104°F). Αν η μπαταρία είναι θερμή, αφήστε την να ψυχθεί πριν τη φορτίσετε.
4. Να φορτίζετε την κασέτα μπαταρία μια φορά κάθε έξι μήνες όταν δεν τη χρησιμοποιείτε για μεγάλο χρονικό διάστημα.

ΠΕΡΙΓΡΑΦΗ ΛΕΙΤΟΥΡΓΙΑΣ

ΠΡΟΣΟΧΗ:

- Να βεβαιώνετε πάντοτε ότι έχετε σβήσει το εργαλείο και έχετε βγάλει την μπαταρία πριν ρυθμίσετε ή ελέγξετε κάποια λειτουργία του εργαλείου.

Τοποθέτηση ή αφαίρεση της κασέτας μπαταρίας (Εικ. 1)

- Πάντοτε να απενεργοποιείτε το εργαλείο πριν από την τοποθέτηση ή την αφαίρεση της κασέτας μπαταρίας.
- Για να βγάλετε την κασέτα μπαταρίας, σύρετε την από το εργαλείο ολισθαίνοντας το κουμπί στο μπροστινό μέρος της κασέτας.
- Για να τοποθετήσετε την κασέτα μπαταρίας, ευθυγραμμίστε τη γλωττίδα της κασέτας μπαταρίας με

ΦΥΛΑΞΤΕ ΑΥΤΕΣ ΤΙΣ ΟΔΗΓΙΕΣ.

⚠ ΠΡΟΕΙΔΟΠΟΙΗΣΗ:

ΜΗΝ επιτρέψετε στη βολικότητα ή στην εξοικειωσή σας με το προϊόν (που αποκτήθηκε από επανειλημμένη χρήση) να αντικαταστήσει την αυστηρή προσήλωση στους κανόνες ασφαλείας του εν λόγω προϊόντος. Η ΛΑΝΘΑΣΜΕΝΗ ΧΡΗΣΗ ή η μη τήρηση των κανόνων ασφαλείας που διατυπώνονται στο παρόν εγχειρίδιο οδηγιών μπορεί να προκαλέσει σοβαρό τραυματισμό.

ΣΗΜΑΝΤΙΚΕΣ ΟΔΗΓΙΕΣ ΑΣΦΑΛΕΙΑΣ

ENC007-7

ΓΙΑ ΤΗΝ ΜΠΑΤΑΡΙΑ

1. Πριν χρησιμοποιήσετε την μπαταρία, διαβάστε όλες τις οδηγίες και τις ενδείξεις προφύλαξης στο (1) φορτιστή μπαταρίας, (2) την μπαταρία και (3) το προϊόν στο οποίο χρησιμοποιείται η μπαταρία.
2. Μην αποσυναρμολογείτε την μπαταρία.
3. Αν ο χρόνος λειτουργίας της μπαταρίας είναι υπερβολικά σύντομος, διακόψτε αμέσως τη λειτουργία. Αν συνεχίσετε, μπορεί να έχει ως αποτέλεσμα τον κίνδυνο υπερθέρμανσης, πιθανών εγκαυμάτων και ακόμη εκρήξης.

την εγκοπή στο περίβλημα και ολισθήστε τη στη θέση της. Πάντοτε να την τοποθετείτε έως το τέρμα, δηλαδή έως ότου ασφαλίσει στη θέση και ακουστεί ένας χαρακτηριστικός ήχος "κλικ". Αν μπορείτε να δείτε την κόκκινη ένδειξη στην πάνω πλευρά του κουμπιού, η μπαταρία δεν είναι πλήρως ασφαλισμένη.

Τοποθετήστε την πλήρως για να μη φαίνεται η κόκκινη ένδειξη. Σε αντίθετη περίπτωση, μπορεί να πέσει κατά λάθος από το εργαλείο και να τραυματίσει εσάς ή κάποιον παρευρισκόμενο.

- Να μη χρησιμοποιείτε δύναμη όταν τοποθετείτε την κασέτα μπαταρίας. Αν η κασέτα δεν ολισθαίνει με ευκολία, δεν την εισήγαγε σωστά.

Σύστημα ασφαλείας (Εικ. 2)

Να βεβαιώνετε ότι όλα τα συστήματα ασφαλείας βρίσκονται σε καλή κατάσταση πριν από τη λειτουργία. Το εργαλείο δεν πρέπει να λειτουργεί αν πιεστεί μόνο η σκανδάλη διακόπτης ή αν μόνο πατηθεί ο μοχλός ασφαλείας επάνω στο ξύλο. Πρέπει να λειτουργεί μόνο όταν εκτελούνται και οι δύο ενέργειες. Ελέγξτε για πιθανή δυσλειτουργία με ένα εργαλείο χωρίς συνδετήρες που κατευθύνεται μακριά από εσάς ή τους παρευρισκόμενους.

ΣΗΜΕΙΩΣΗ:

- Υπάρχει η πιθανότητα το εργαλείο να λειτουργήσει για μια στιγμή με το πάτημα μόνο της σκανδάλης. Αυτό δεν είναι ενδεικτικό προβλήματος. Εάν αυτό συμβεί, κατευθύνετε το εργαλείο μακριά από εσάς ή τους παρευρισκόμενους. Ελευθερώστε και τραβήξτε ξανά τη σκανδάλη για να βεβαιωθείτε ότι τα συστήματα ασφαλείας βρίσκονται σε λειτουργική κατάσταση.

ΣΥΝΑΡΜΟΛΟΓΗΣΗ

ΠΡΟΣΟΧΗ:

- Να βεβαιώνετε πάντα πως τα δάκτυλά σας δεν έχουν τοποθετηθεί στη σκανδάλη και πως έχει αφαιρεθεί η μπαταρία πριν να πραγματοποιήσετε εργασίες στο συρραπτικό.

Συνδετήρες

- Να χειρίζεστε τους συνδετήρες και το κουτί τους προσεκτικά. Εάν γίνει απρόσεκτος χειρισμός των συνδετήρων, μπορούν λυγίζοντας να παραμορφωθούν, προκαλώντας την ελάττωση της ταχύτητας τροφοδοσίας ή το μπλοκάρισμα.
- Αποφύγετε να αποθηκεύετε τους συνδετήρες σε μέρη με πολύ υγρασία ή υψηλή θερμοκρασία ή σε μέρη που είναι εκτεθειμένα στο άμεσο ηλιακό φως.

ΠΡΟΣΟΧΗ:

- Μην χρησιμοποιήσετε συνδετήρες διαφορετικούς από αυτούς που ορίζονται σε αυτό το εγχειρίδιο ή συνδετήρες που φαίνονται ότι έχουν υποστεί ζημιά, έχουν λυγίσει, είναι σκουριασμένοι ή έχουν διαβρωθεί.
- Μην τοποθετήσετε ταυτόχρονα συνδετήρες διαφορετικού μεγέθους μέσα στο γεμιστήρα, προκαλώντας την μειωμένη ταχύτητα τροφοδοσίας ή το μπλοκάρισμα.

Φόρτωση συνδετήρων

Αφαιρέστε τη μπαταρία.

Πατήστε το μοχλό κλειδώματος στο πίσω μέρος του εμβόλου του γεμιστήρα και ολισθήστε το προς τα πίσω.

(Εικ. 3)

Φορτώστε συνδετήρες μέσα στο γεμιστήρα με τα κάτω άκρα να βλέπουν προς τα επάνω. Ολισθήστε το έμβολο προς τα εμπρός. (Εικ. 4)

Για να στερεώσετε στη θέση του το έμβολο του γεμιστήρα, αγκιστρώστε το μοχλό κλειδώματος στο πίσω μέρος του εμβόλου του γεμιστήρα.

ΠΡΟΣΟΧΗ:

- Με φορτωμένη το γεμιστήρα, εάν το εργαλείο κρατηθεί προς τα κάτω και βγει το έμβολο, οι συνδετήρες μπορούν να πέσουν έξω προκαλώντας κίνδυνο για τον οποιοδήποτε ή στιδήποτε που βρίσκεται από κάτω. Προσέξτε αυτό το σημείο ειδικά όταν εργάζεστε σε υψηλές τοποθεσίες.

Ξεφόρτωση συνδετήρων

ΠΡΟΣΟΧΗ:

- Όταν αφαιρείτε τους συνδετήρες, να βεβαιώνετε πως τα δάκτυλά σας δεν έχουν τοποθετηθεί στη σκανδάλη ή στο μοχλό και πως έχει αφαιρεθεί η μπαταρία από το εργαλείο. Η αφλογιστία μπορεί να προκαλέσει τραυματισμό και ζημιά.

Αφαιρέστε τη μπαταρία.

Πατήστε το μοχλό κλειδώματος και κυλήστε το γεμιστήρα πίσω. (Εικ. 3)

Αφαιρέστε τους συνδετήρες από τη σχισμή του γεμιστήρα. (Εικ. 5)

Γάντζος

ΠΡΟΣΟΧΗ:

- Να βεβαιώνετε πάντα πως τα δάκτυλά σας δεν έχουν τοποθετηθεί στη σκανδάλη ή στο μοχλό και πως έχει αφαιρεθεί η μπαταρία πριν να χρησιμοποιήσετε το γάντζο. (Εικ. 6)

ΠΡΟΣΟΧΗ:

- Μη κρεμάτε το γάντζο από τη ζώνη της μέσης. Αν ο γάντζος φύγει τυχαία από τη θέση του και προκαλέσει το πέσιμο του συρραπτικού, μπορεί να υπάρξει κατά λάθος εκτόξευση και να προκληθεί τραυματισμός.

Ο γάντζος χρησιμεύει για το προσωρινό κρέμασμα του εργαλείου.

Μπορείτε να τον τοποθετήσετε σε οποιαδήποτε πλευρά του εργαλείου.

Για να τοποθετήσετε το γάντζο, βάλτε τον σε μια εγκοπή στο περίβλημα του εργαλείου σε οποιαδήποτε πλευρά του και κατόπιν ασφαλίστε τον με μια βίδα.

Για να τον βγάλετε, χαλαρώστε τη βίδα και κατόπιν αφαιρέστε τον. (Εικ. 7)

ΛΕΙΤΟΥΡΓΙΑ

Ρύθμιση βάθους (Εικ. 8)

Εάν οι συνδετήρες καρφωθούν πολύ βαθιά ή πολύ επιφανειακά, ρυθμίστε το βάθος καρφώματος περιστρέφοντας το παξιμάδι στη βάση του εργαλείου. Για βαθύτερο κάρφωμα των συνδετήρων περιστρέψτε το παξιμάδι προς τα δεξιά. Για επιφανειακότερο κάρφωμα, περιστρέψτε το παξιμάδι αριστερόστροφα. Παρακαλώ σημειώστε ότι το παξιμάδι πρέπει να περιστρέφεται κατά

διαστήματα των 90° (1/4 περιστροφή) έτσι ώστε η εγκοπτή του παξιμαδιού να γυρνά παράλληλα με το γεμιστήρα.

Κάρφωμα συνδετήρων (Εικ. 9)

Τοποθετήστε επίπεδο το άνοιγμα του εργαλείου από το οποίο εκτοξεύονται οι συνδετήρες στο υλικό που θα δεθεί και κρατήστε καλά το εργαλείο ενάντια στο υλικό. Έπειτα, τραβήξτε το μοχλό και πατήστε τελειώς τη σκανδάλη για να εκτοξευτούν οι συνδετήρες. Η λαβή έχει τέτοιο σχήμα ώστε η κεφαλή του εργαλείου να μπορεί να κρατηθεί με ασφάλεια προς τα κάτω με το δέικτη και τον αντήχειρα. Μετά την εκτόξευση ενός συνδετήρα, βεβαιωθείτε πως έχετε αφήσει τελειώς τη σκανδάλη.

Όταν η κεφαλή του συνδετήρα που καρφώθηκε παραμένει πάνω από την επιφάνεια του υλικού που πρόκειται να δέθει, καρφώστε το συνδετήρα κρατώντας γερά την κεφαλή του συρραπτικού. (Εικ. 10)

ΣΗΜΕΙΩΣΗ:

- Η συνεχής χρήση του συρραπτικού με την κεφαλή των εκτοξευμένων συνδετήρων να παραμένει πάνω από την επιφάνεια του υλικού που θα δεθεί ενδέχεται να προκαλέσει ζημιά στον οδηγό του συρραπτικού, κόλλημα των συνδετήρων, κτλ.

Έλεγχος εναπομενόντων συνδετήρων (Εικ. 11)

ΠΡΟΣΟΧΗ:

- Μη θέτετε το εργαλείο σε λειτουργία χωρίς συνδετήρες. Μειώνει τη διάρκεια ζωής του εργαλείου.

Υπάρχει ένα βολικό παράθυρο παρακολούθησης στη δεξιά πλευρά του εργαλείου (όταν βλέπετε το εργαλείο από μπροστά). Χρησιμοποιείτε αυτό το παράθυρο παρακολούθησης για να ελέγξετε εάν υπάρχουν συνδετήρες στο γεμιστήρα. Όταν οι συνδετήρες δεν είναι ορατοί από το παράθυρο, φορτώστε συνδετήρες στο γεμιστήρα.

Αφαίρεση μπλοκαρισμένων συνδετήρων

ΠΡΟΕΙΔΟΠΟΙΗΣΗ:

- Να βεβαιώνετε πάντα πως έχει ελευθερωθεί ο μοχλός και πως έχει αφαιρεθεί η μπαταρία πριν από την αφαίρεση μπλοκαρισμένων συνδετήρων.

Αφαιρέστε τη μπαταρία από το συρραπτικό. (Εικ. 5)

Πατήστε το μοχλό κλειδώματος στο πίσω μέρος του εμβόλου του γεμιστήρα και ολισθήστε το προς τα πίσω. Βγάλτε έξω τους τυχόν μπλοκαρισμένους συνδετήρες που παραμένουν στο άνοιγμα από το οποίο εκτοξεύονται οι συνδετήρες.

ΣΥΝΤΗΡΗΣΗ

ΠΡΟΣΟΧΗ:

- Να βεβαιώνετε πάντα πως έχετε σβήσει το εργαλείο και έχετε βγάλει την μπαταρία πριν εκτελέσετε οποιαδήποτε εργασία ελέγχου ή συντήρησης σε αυτό.
- Μην χρησιμοποιήσετε βενζίνη, βενζόλη, διαλυτικό, αλκοόλη ή κάτι παρόμοιο. Μπορεί να προκληθεί αποχρωματισμός, παραμόρφωση ή ρωγμές.

Για να διατηρείται η ΑΣΦΑΛΕΙΑ και η ΑΣΙΟΠΙΣΤΙΑ του προϊόντος, οι εργασίες επισκευής, καθώς και οποιαδήποτε άλλη εργασία συντήρησης ή ρύθμισης, θα πρέπει να εκτελούνται σε εξουσιοδοτημένα κέντρα

εξυπηρέτησης της Makita, και πάντοτε με τη χρήση ανταλλακτικών της Makita.

ΠΡΟΑΙΡΕΤΙΚΑ ΑΞΕΣΟΥΑΡ

⚠ ΠΡΟΣΟΧΗ:

- Συνιστάται η χρήση αυτών των αξεσουάρ ή εξαρτημάτων με το εργαλείο της Makita, όπως περιγράφεται στο παρόν εγχειρίδιο. Αν χρησιμοποιήσετε άλλα αξεσουάρ ή εξαρτήματα μπορεί να παρουσιαστεί κίνδυνος για πρόκληση τραυματισμού προσώπων. Να χρησιμοποιείτε τα αξεσουάρ και τα εξαρτήματα μόνο για το σκοπό για τον οποίο προορίζονται.

Αν χρειάζεστε κάποια βοήθεια ή περισσότερες πληροφορίες σχετικά με τα αξεσουάρ αυτά, απευθυνθείτε στο πλησιέστερο κέντρο εξυπηρέτησης της Makita.

- Συνδετήρες
- Διάφοροι τύποι γνήσιων μπαταριών και φορτιστών της Makita
- Γυαλιά προστασίας

ΣΗΜΕΙΩΣΗ:

- Ορισμένα από τα στοιχεία της λίστα μπορεί να περιέχονται στην συσκευασία του εργαλείου ως κανονικά αξεσουάρ. Αυτά ενδέχεται να διαφέρουν από χώρα σε χώρα.

Θορύβος

ENG905-1

Το σύνθηες σταθμισμένο επίπεδο θορύβου που έχει καθοριστεί σύμφωνα με την EN60745:

Επίπεδο ηχητικής πίεσης (L_{pA}): 82 dB (A)

Επίπεδο ηχητικής ισχύος (L_{WA}): 93 dB (A)

Αβεβαιότητα (K): 3 dB (A)

Να φοράτε ωτοασπίδες.

Δόνηση

ENG900-1

Η συνολική τιμή δόνησης (διανυσματικό άθροισμα τριών αξόνων) που έχει καθοριστεί σύμφωνα με την EN60745:

Εκπομπή δόνησης (a_{h1}): 3,5 m/s²

Αβεβαιότητα (K): 1,5 m/s²

ENG901-1

- Η δηλωθείσα τιμή των παραγομένων κραδασμών έχει καταμετρηθεί σύμφωνα με την τυποποιημένη μέθοδο δοκιμασίας και μπορεί να χρησιμοποιηθεί για την σύγκριση ενός εργαλείου με ένα άλλο.
- Η δηλωθείσα τιμή των παραγομένων κραδασμών μπορεί επίσης να χρησιμοποιηθεί για μια προκαταρκτική αξιολόγηση της έκθεσης στους κραδασμούς.

⚠ ΠΡΟΕΙΔΟΠΟΙΗΣΗ:

- Η εκπομπή κραδασμών κατά τη διάρκεια της πραγματικής χρήσης του ηλεκτρικού εργαλείου μπορεί να διαφέρει από τη δηλωθείσα τιμή των εκπομπών, ανάλογα με τον τρόπο με τον οποίο χρησιμοποιείται το εργαλείο.
- Φροντίστε να λάβετε τα μέτρα ασφαλείας που απαιτούνται για την προστασία του χρήστη που βασίζονται σε μια εκτίμηση της έκθεσης σε πραγματικές συνθήκες χρήσης (λαμβάνοντας υπόψη όλα τα μέρη του κύκλου λειτουργίας, όπως είναι οι περιπτώσεις κατά τις οποίες το εργαλείο είναι απενεργοποιημένο και όταν λειτουργεί στο ρελαντί

επιπροσθέτως του χρόνου κατά τον οποίο το εργαλείο
βρίσκεται σε χρήση).

Για τις Ευρωπαϊκές χώρες μόνο ENH101-15
EK – Δήλωση συμμόρφωσης
Η Εταιρία Makita ως υπεύθυνος κατασκευαστής,
δηλώνει ότι το παρακάτω μηχάνημα ή μηχανήματα
της Makita:

Όνομασία Μηχανήματος:
Συρραπτικό μπαταρίας
Αρ. Μοντέλου/Τύπος: DST220, DST221
αποτελούν παραγωγή σε σειρά και
Συμμορφώνονται με τις ακόλουθες Ευρωπαϊκές
Οδηγίες:

2006/42/EK

Και κατασκευάζονται σύμφωνα με τα παρακάτω πρότυπα
ή τυποποιημένα έγγραφα:

EN60745

Ο εξουσιοδοτημένος μας αντιπρόσωπος στην Ευρώπη
διατηρεί τα τεχνικά έγγραφα, ο οποίος είναι:

Makita International Europe Ltd.
Michigan Drive, Tongwell,
Milton Keynes, Bucks MK15 8JD, England

30. 1. 2009



Tomoyasu Kato
Διευθυντής
Makita Corporation
3-11-8, Sumiyoshi-cho,
Anjo, Aichi, 446-8502, JAPAN

Makita Corporation
Anjo, Aichi, Japan

www.makita.com

885343-996

ALA