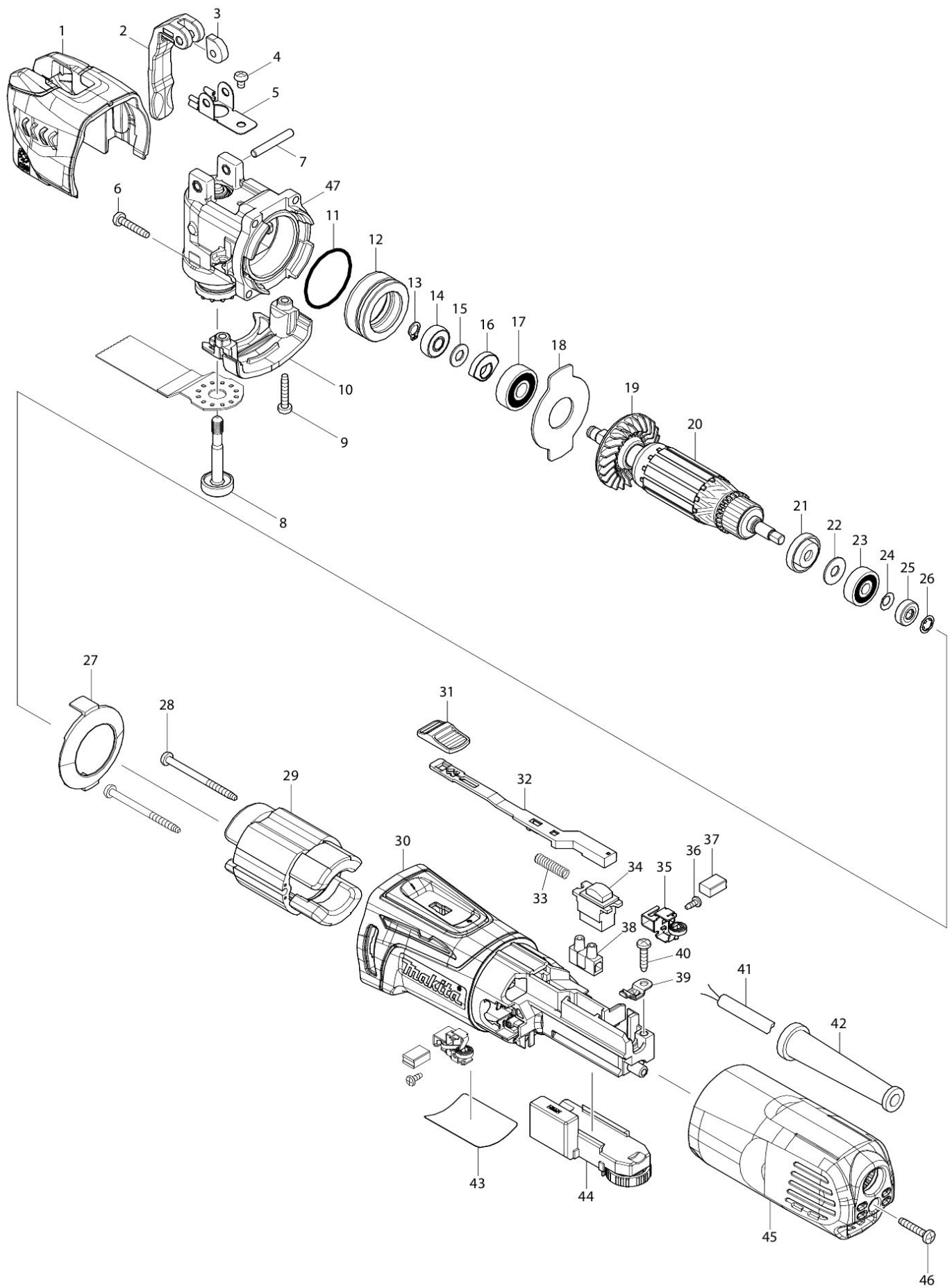


Partdrawing for TM3010CX15 - Multitool



2013/03
TM3010C