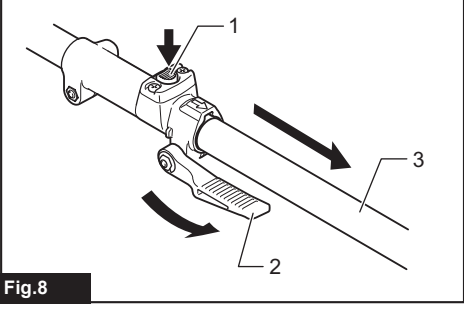
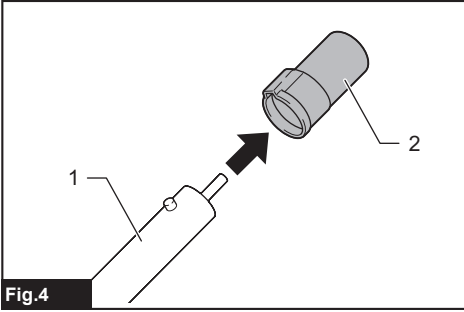
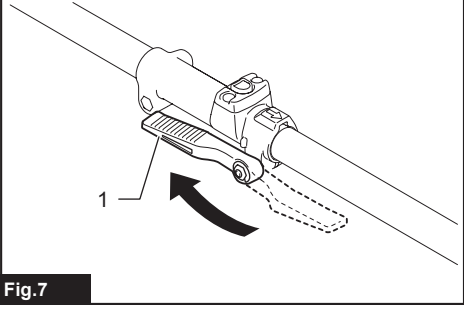
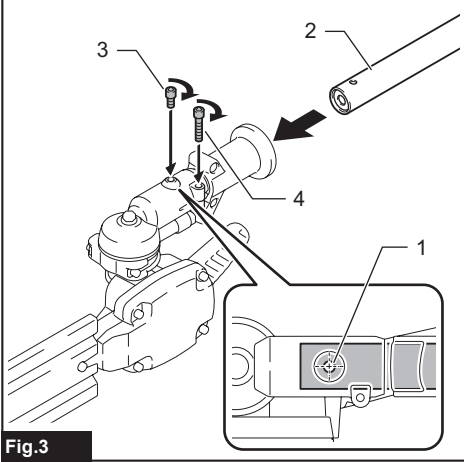
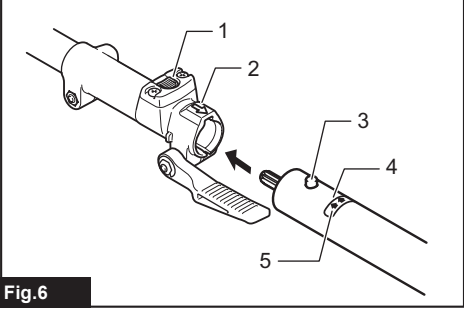
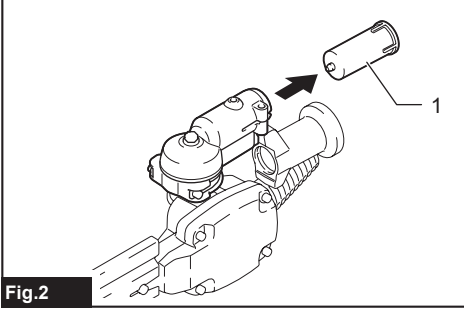
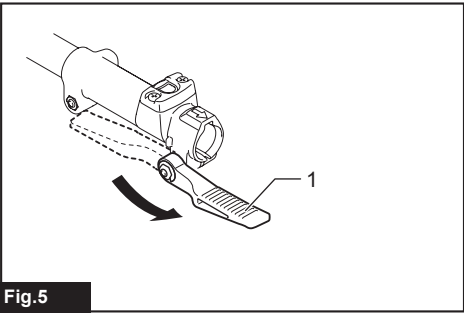
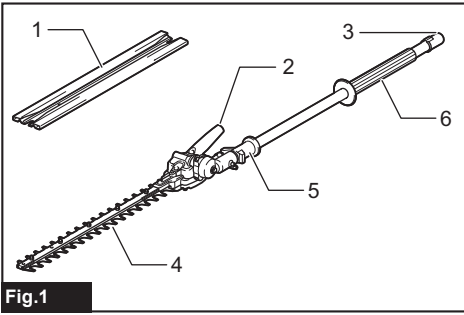


EN	Hedge Trimmer Attachment	INSTRUCTION MANUAL	8
FR	Tête Taille-Haie à Perche	MANUEL D'INSTRUCTIONS	15
DE	Heckenscheren-Aufsatz	BETRIEBSANLEITUNG	23
IT	Accessorio tagliasiepi	ISTRUZIONI PER L'USO	31
NL	Heggenschaarhulpstuk	GEBRUIKSAANWIJZING	39
ES	Accesorio para Cortasetos	MANUAL DE INSTRUCCIONES	47
PT	Implemento Aparador de Cerca Viva	MANUAL DE INSTRUÇÕES	55
DA	Tilbehør til hækkeklipper	BRUGSANVISNING	63
EL	Προσάρτημα κλαδευτηρίου	ΕΓΧΕΙΡΙΔΙΟ ΟΔΗΓΙΩΝ	70
TR	Çit Budama Ek Parçası	KULLANMA KILAVUZU	78
SV	Häcksaxtillsats	BRUKSANVISNING	85
NO	Hekktrimmerutstyr	BRUKSANVISNING	92
FI	Pensasleikkuri	KÄYTTÖOHJE	99
LV	Dzīvžoga griezēja papildierīce	LIETOŠANAS INSTRUKCIJA	106
LT	Gyvatorių žirklių priedas	NAUDOJIMO INSTRUKCIJA	113
ET	Hekitrimmeri tarvik	KASUTUSJUHEND	120
PL	Przyrząd Do Cięcia Żywopłotu	INSTRUKCJA OBSŁUGI	127
HU	Sövénynyíró tartozék	HASZNÁLATI KÉZIKÖNYV	135
SK	Nožnice na živý plot	NÁVOD NA OBSLUHU	143
CS	Nástavec zastříhovače živých plotů	NÁVOD K OBSLUZE	150
SL	Priključek škarij za živo mejo	NAVODILA ZA UPORABO	157
SQ	Aksesori i prerësit të shkurreve	MANUALI I PËRDORIMIT	164
BG	Приставка тример за жив плет	РЪКОВОДСТВО ЗА ЕКСПЛОАТАЦИЯ	172
HR	Dodatak za trimer za živicu	PRIRUČNIK S UPUTAMA	180
MK	Додаток за поткастрување жива ограда	УПАТСТВО ЗА УПОТРЕБА	187
SR	Наставак за тример за живу ограду	УПУТСТВО ЗА УПОТРЕБУ	195
RO	Dispozitiv de ataşare pentru maşina de tuns gardul viu	MANUAL DE INSTRUCȚIUNI	203
UK	Пила для підрізування живоплоту	ІНСТРУКЦІЯ З ЕКСПЛУАТАЦІЇ	211
RU	Насадка: Кусторез	РУКОВОДСТВО ПО ЭКСПЛУАТАЦИИ	219
KK	Саптама-бұта кескіш	ПАЙДАЛАНУ ЖӨНІНДЕГІ НҰСҚАУЛЫҚ	227
ZHTW	樹籬剪組件	使用說明書	235





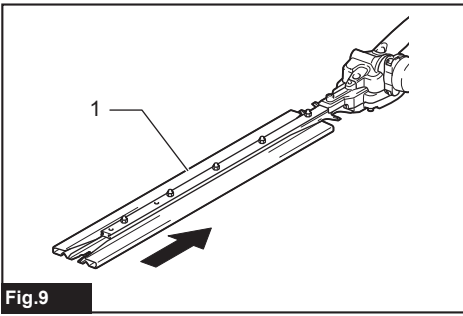


Fig.9

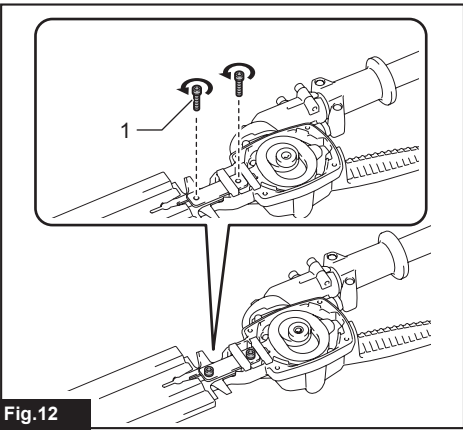


Fig.12

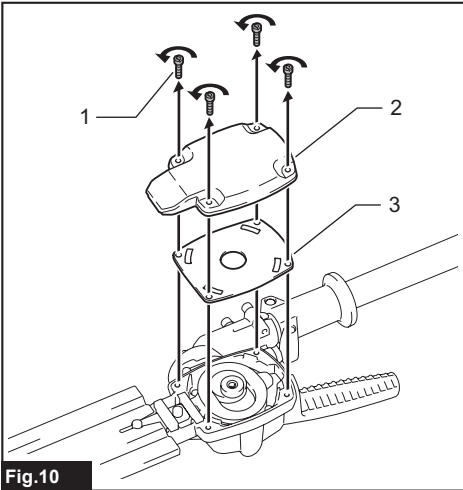


Fig.10

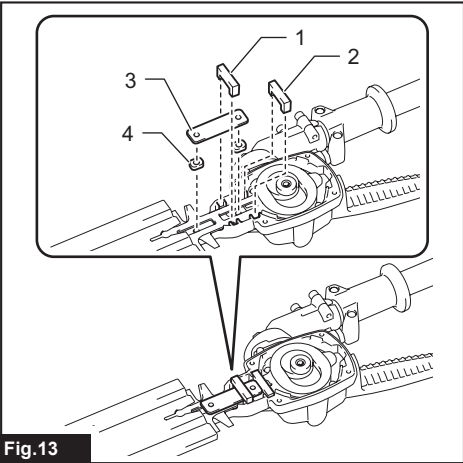


Fig.13

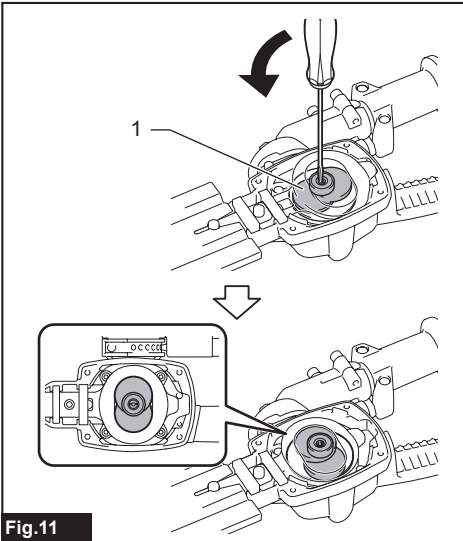


Fig.11

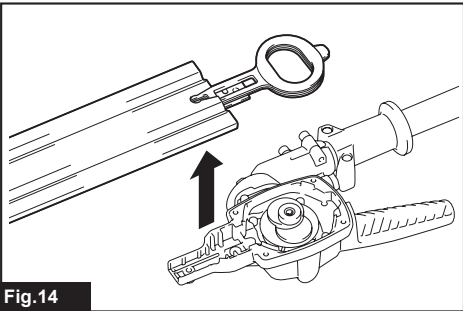
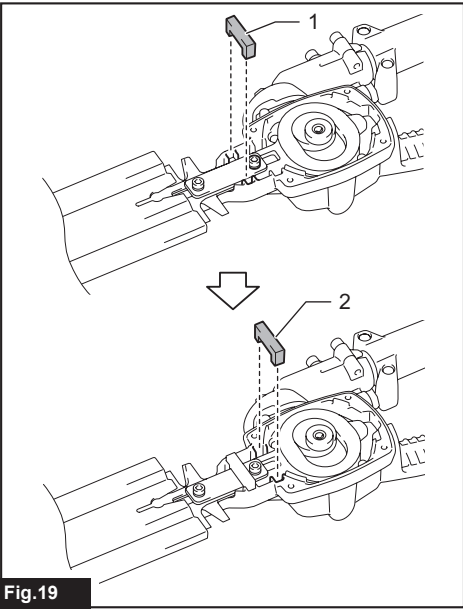
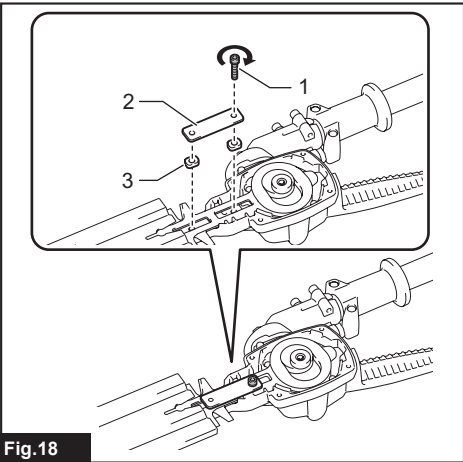
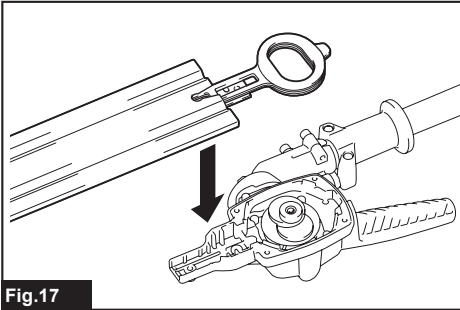
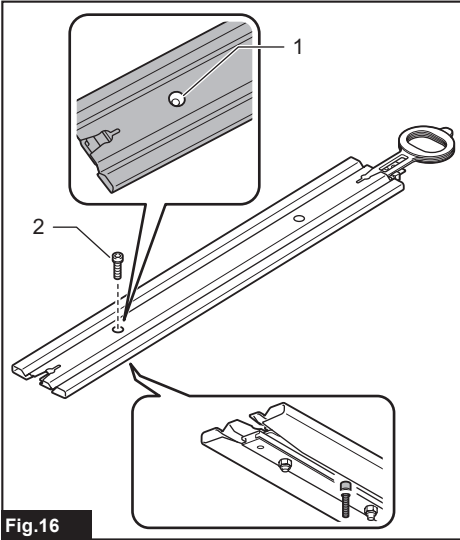
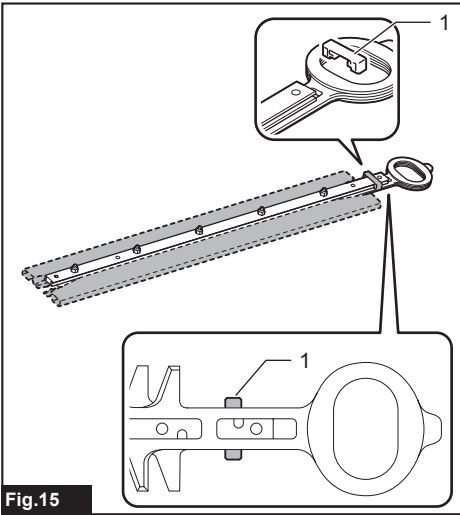


Fig.14



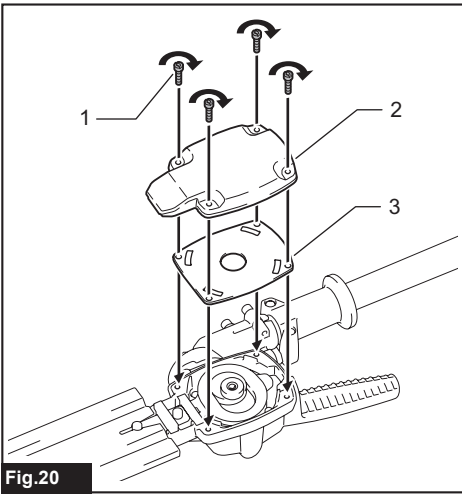


Fig.20

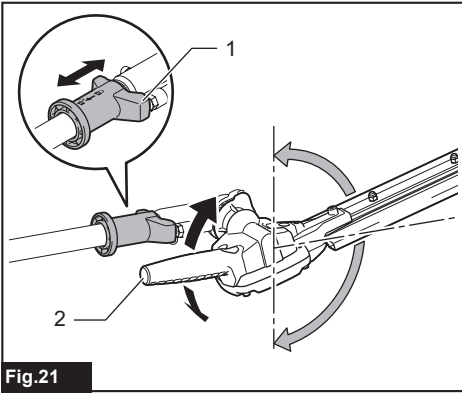


Fig.21

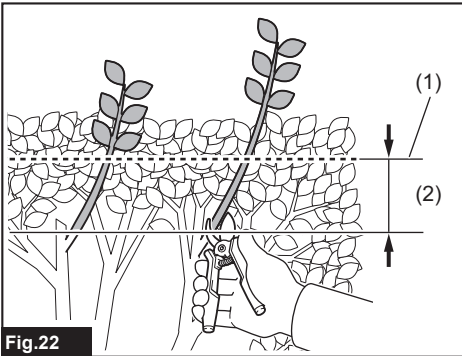


Fig.22

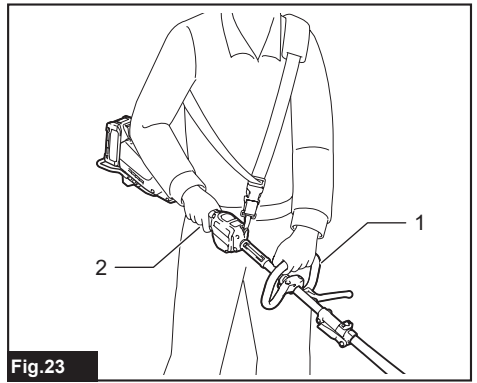


Fig.23

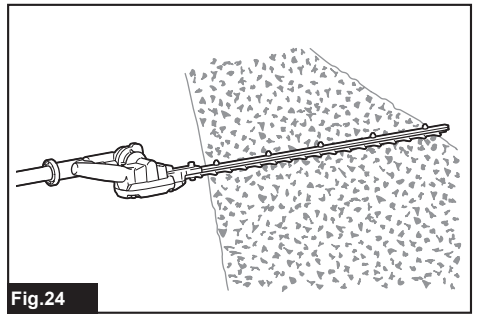


Fig.24

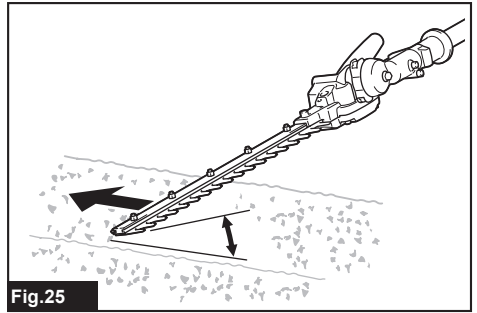


Fig.25

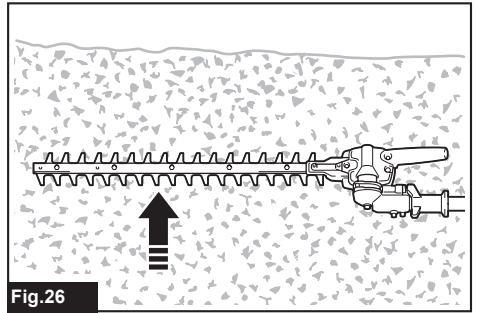


Fig.26

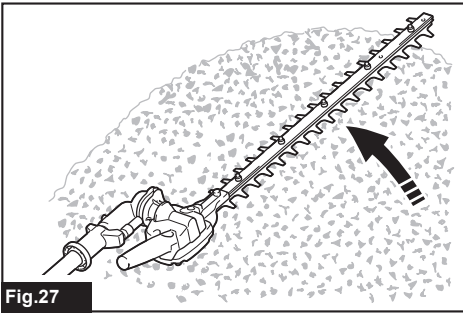


Fig.27

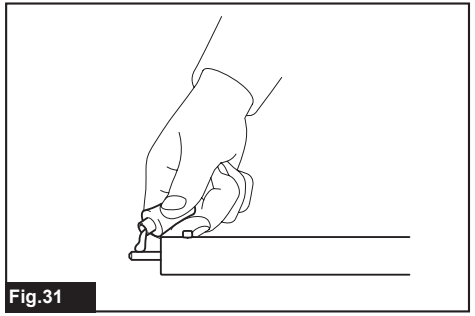


Fig.31

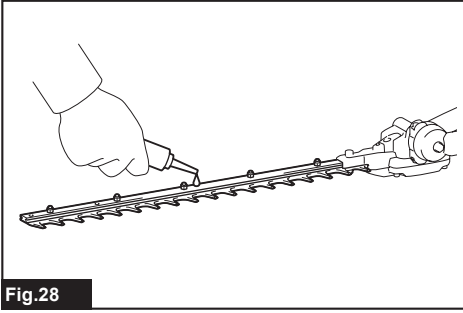


Fig.28

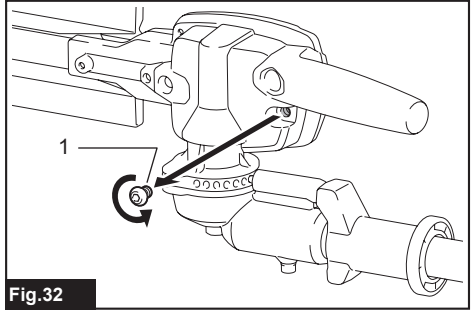


Fig.32

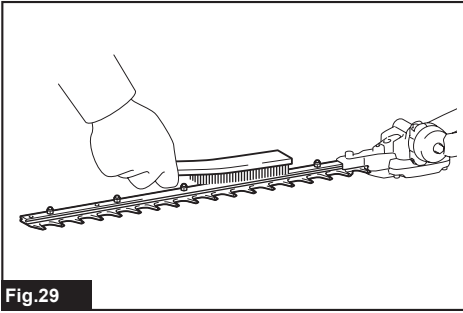


Fig.29

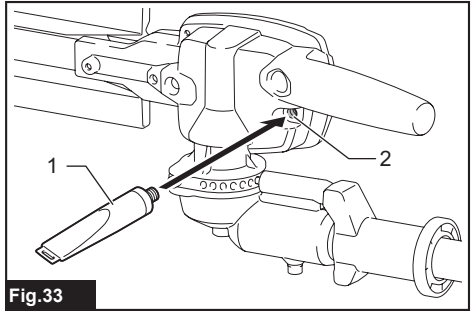


Fig.33

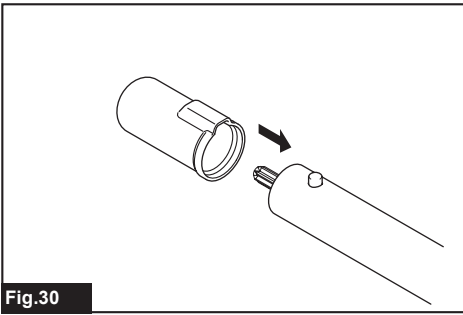


Fig.30

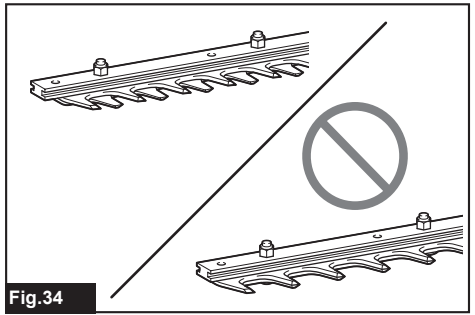
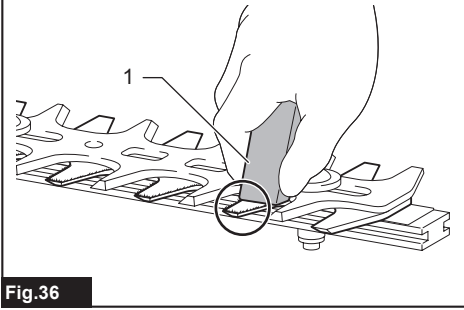
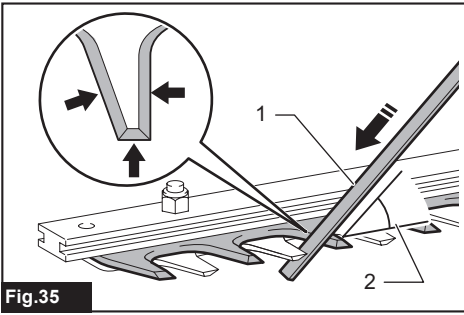


Fig.34



SPECIFICATIONS

Model:	EN402MP
Blade length	500 mm
Overall length	1444 mm
Net weight	2.4 kg

- Due to our continuing program of research and development, the specifications herein are subject to change without notice.
- Specifications may differ from country to country.

Approved power unit

This attachment is approved to use only with the following power unit(s):

- DUX60 Cordless multi function power head
- DUX18 Cordless multi function power head
- UX01G Cordless multi function power head

⚠ WARNING: Never use the attachment with non-approved power unit. Non-approved combination may cause serious injury.

Symbols

The followings show the symbols which may be used for the equipment. Be sure that you understand their meaning before use.

	Read and follow the instruction manual.
	DANGER - Keep hands away from blade.
	Beware of electrical lines. Risk of electrical shock.
	Wear protective helmet, eye and ear protection.
	Wear protective gloves.
	Wear sturdy boots with non-slip soles.
	Keep bystanders and animals at least 15 m (50 ft) away from the power tool.
	Keep the area of operation clear of all persons and pets.



Guaranteed sound power level according to EU Outdoor Noise Directive.



Sound power level according to Australia NSW Noise Control Regulation.

Intended use

This attachment is designed for only the purpose of trimming hedges in conjunction with an approved power unit. Never use the attachment for other purposes. Abusing the attachment may cause serious injury.

EC Declaration of Conformity

For European countries only

We as the manufacturers: **Makita Europe N.V.**, Business address: **Jan-Baptist Vinkstraat 2 3070 Kortenberg BELGIUM**. Authorize **Hiroshi Tsujimura** for the compilation of the technical file and declare under our sole responsibility that the product(s); Designation: **Hedge Trimmer Attachment**. Designation of Type(s): **EN402MP**. Fulfills all the relevant provisions of **2006/42/EC** and also fulfills all the relevant provisions of the following EC/EU Directives: **2000/14/EC** and are manufactured in accordance with the following Harmonised Standards: **EN62841-1:2015, EN 62841-4-2:2019, EN ISO 11806-1:2011**. Place and date of declaration: **Kortenberg, Belgium. 20. 12. 2022**
Responsible person: **Hiroshi Tsujimura, Director - Makita Europe N.V.**



Declaration of Conformity (For UK)

For UK only

We as the manufacturers: **Makita Europe N.V.**,
Business address: **Jan-Baptist Vinkstraat 2 3070
Kortenberg BELGIUM**. Authorize **Hiroshi Tsujimura**
for the compilation of the technical file and declare
under our sole responsibility that the product(s);
Designation: **Hedge Trimmer Attachment**. Designation
of Type(s): **EN402MP**.

Fulfills all the relevant provisions of **S.I. 2008/1597 (as
amended)** and also fulfills all the relevant provisions
of the following UK Regulations: **S.I. 2001/1701 (as
amended)** and are manufactured in accordance with
the following Designated Standards: **EN62841-1:2015,
EN 62841-4-2:2019, EN ISO 11806-1:2011**.

Place and date of declaration: **Kortenberg, Belgium.
20. 12. 2022**

Responsible person: **Hiroshi Tsujimura, Director -
Makita Europe N.V.**

Importer: Makita (UK) Limited, Michigan Drive,
Tongwell, Milton Keynes, Buckinghamshire, MK15
8JD, UK



SAFETY WARNINGS

Cordless Pole Hedge Trimmer Safety Warnings

1. **Keep all parts of the body away from the blade. Do not remove cut material or hold material to be cut when blades are moving.** Blades continue to move after the switch is turned off. A moment of inattention while operating the hedge trimmer may result in serious personal injury.
2. **Carry the hedge trimmer by the handle with the blade stopped and taking care not to operate any power switch.** Proper carrying of the hedge trimmer will decrease the risk of inadvertent starting and resultant personal injury from the blades.
3. **When transporting or storing the hedge trimmer, always fit the blade cover.** Proper handling of the hedge trimmer will decrease the risk of personal injury from the blades.
4. **When clearing jammed material or servicing the unit, make sure all power switches are off and the battery pack is removed or disconnected.** Unexpected actuation of the hedge trimmer while clearing jammed material or servicing may result in serious personal injury.
5. **Hold the hedge trimmer by insulated gripping surfaces only, because the blade may contact hidden wiring.** Blades contacting a "live" wire may make exposed metal parts of the hedge trimmer "live" and could give the operator an electric shock.

6. **Keep all power cords and cables away from cutting area.** Power cords or cables may be hidden in hedges or bushes and can be accidentally cut by the blade.
7. **Do not use the hedge trimmer in bad weather conditions, especially when there is a risk of lightning.** This decreases the risk of being struck by lightning.
8. **To reduce the risk of electrocution, never use the pole hedge trimmer near any electrical power lines.** Contact with or use near power lines may cause serious injury or electric shock resulting in death.
9. **Always use two hands when operating the pole hedge trimmer.** Hold the pole hedge trimmer with both hands to avoid loss of control.
10. **Always use head protection when operating the pole hedge trimmer overhead.** Falling debris can result in serious personal injury.

Additional Safety Instructions

Preparation

1. **THIS HEDGE TRIMMER CAN CAUSE SERIOUS INJURIES.** Read the instructions carefully for the correct handling, preparation, maintenance, starting and stopping of the tool. Become familiar with all controls and the proper use of the tool.
2. **Check the hedges and bushes for foreign objects, such as wire fences or hidden wiring before operating the tool.**
3. **The tool must not be used by children or young persons under 18 years of age.** Young persons over 16 years of age may be exempted from this restriction if they are undergoing training under the supervision of an expert.
4. **In the event of an emergency, switch off the tool and remove the battery cartridge immediately.**
5. **DANGER - Keep hands away from blade.** Contact with blade will result in serious personal injury.
6. **First-time users should have an experienced user show them how to use the tool.**
7. **Before operation, examine the work area for wire fences, stones, or other solid objects. They can damage the blades.**
8. **Use the tool only if you are in good physical condition.** If you are tired, your attention will be reduced. Be especially careful at the end of a working day. Perform all work calmly and carefully. The user is responsible for all damages to third parties.
9. **Before starting work, check to make sure that the tool is in good and safe working order. Ensure guards are fitted properly. The tool must not be used unless fully assembled.**
10. **Avoid dangerous environment. Don't use the tool in damp or wet locations or expose it to rain. Water entering the tool will increase the risk of electric shock.**

Personal protective equipment

1. **Work gloves of stout leather are part of the basic equipment of the tool and must always be worn when working with it. Also wear sturdy shoes with anti-skid soles.**
2. **Wear ear protection such as ear muffs to prevent hearing loss.**
3. **Wear protective goggles, safety helmet and protective gloves to protect yourself from flying debris or falling objects.**
4. **When touching blades or adjusting the blade angle, wear protective gloves. Blades can cut bare hands severely.**

Operation

1. **Always use two hands to operate the tool.**
Using one hand could cause loss of control and result in serious personal injury.
2. **While operating the tool, always ensure that the operating position is safe and secure. Overreaching with the tool, particularly from a ladder, is extremely dangerous. Do not work from anything wobbly or infirm.**
3. **Do not simultaneously wear multiple belt harnesses and/or shoulder harnesses when operating the tool.**
4. **During operation, keep bystanders or animals at least 15 m away from the tool. Stop the tool as soon as someone approaches.**
5. **If cutting tool strikes any object or the tool starts making unusual noise or vibration, switch off the tool and remove the battery cartridge immediately and allow the tool to stop. And then take the following steps:**
 - inspect for damage
 - check for, and tighten, any loose parts
 - have any damaged parts replaced or repaired with genuine spare parts.
6. **Only use the tool for its intended purpose. Do not use the tool for any other purpose.**
7. **Switch off the tool and remove the battery cartridge before:**
 - cleaning or when clearing a blockage,
 - checking, carrying out maintenance or working on the tool,
 - adjusting the working position of the shear blades,
 - leaving the tool unattended.
8. **Ensure that the tool is correctly located in a designated working position before starting the tool.**
9. **Do not operate the tool with a damaged or excessively worn shear blades.**
10. **Always be aware of your surroundings and stay alert for possible hazards of which you may not be aware due to the noise of the tool.**
11. **Be careful not to accidentally contact a metal fence or other hard objects during operation. The blade will break and may cause serious injury.**
12. **Avoid unintentional starting. Do not carry the tool when the battery cartridge is installed and with finger on the switch. Make sure that the switch is off when installing the battery cartridge.**

13. **Do not grasp the exposed cutting blades or cutting edges when picking up or holding the tool.**
14. **Do not force the tool.** It will do the job better and with less likelihood of a risk of injury at the rate for which it was designed.
15. **Do not use the tool in the rain or in wet or very damp conditions.** The electric motor is not waterproof.
16. **Hold the tool firmly when using the tool.**
17. **Do not operate the tool at no-load unnecessarily.**
18. **Before checking the shear blades, taking care of faults, or removing foreign objects caught in the shear blades, always switch off the tool and remove the battery cartridge.**
19. **Never point the shear blades to yourself or others.**
20. **If the blades stop moving due to the stuck of foreign objects between the blades during operation, switch off the tool and remove the battery cartridge, and then remove the foreign objects using tools such as pliers.** Removing the foreign objects by hand may cause an injury for the reason that the blades may move in reaction to removing the foreign objects.
21. **When attaching or removing the blade cover, be careful not to injure your hands.**

Electrical and battery safety

1. **Avoid dangerous environment. Don't use the tool in damp or wet locations or expose it to rain.** Water entering the tool will increase the risk of electric shock.
2. **Do not dispose of the battery(ies) in a fire.**
The cell may explode. Check with local codes for possible special disposal instructions.
3. **Do not open or mutilate the battery(ies).**
Released electrolyte is corrosive and may cause damage to the eyes or skin. It may be toxic if swallowed.
4. **Do not charge battery in rain, or in wet locations.**
5. **Do not charge the battery outdoors.**
6. **Do not handle charger, including charger plug, and charger terminals with wet hands.**

Maintenance and storage

1. **When the tool is stopped for servicing, inspection or storage, switch off the tool and remove the battery cartridge, and make sure all moving parts have come to a stop. Allow the tool to cool before making any inspections, adjustment, etc.**
2. **Always allow the tool to cool down before storing.**
3. **When not in use, attach the blade cover to the tool and store the tool indoors in dry, and high locked-up place, out of reach of children.**
4. **Maintain the tool with care. Keep cutting edge sharp and clean for best performance and to reduce the risk of injury. Follow instructions for lubricating and changing accessories. Keep grips dry, clean, and free from oil and grease.**

5. Check damaged parts. Before further use of the tool, any part which is damaged should be carefully checked to determine that it will operate properly and perform its intended function. Check for alignment of moving parts, binding of moving parts, breakage of parts, mounting and any other condition that may affect its operation. A guard or other part that is damaged should be properly repaired or replaced by your authorized service center.
6. Use genuine spare parts only.
7. When moving the tool to another location, including during work, always remove the battery cartridge and put the blade cover on the shear blades. Never carry or transport the tool with the blades running. Never grasp the blades with your hands.
8. Clean the tool and especially the shear blades after use, and before putting the tool into storage for extended periods. Lightly oil the shear blades and put on the blade cover.
9. Do not dispose of the battery(ies) in a fire. The cell may explode. Check with local codes for possible special disposal instructions.
10. Do not open or mutilate the battery(ies). Released electrolyte is corrosive and may cause damage to the eyes or skin. It may be toxic if swallowed.
11. Do not charge battery in rain, or in wet locations.

SAVE THESE INSTRUCTIONS.

⚠WARNING: DO NOT let comfort or familiarity with product (gained from repeated use) replace strict adherence to safety rules for the subject product. MISUSE or failure to follow the safety rules stated in this instruction manual may cause serious personal injury.

PARTS DESCRIPTION

- Fig.1: 1. Blade cover 2. Angle adjustment handle
3. Cap 4. Shear blades 5. Slide lever 6. Front grip

ASSEMBLY

⚠WARNING: Before assembling or adjusting the equipment, switch off the motor and remove the battery cartridge. Otherwise, the machine may start unintentionally and result in an injury.

⚠WARNING: When assembling or adjusting the equipment, always put it down. Assembling or adjusting the equipment in an upright position may result in serious injury.

⚠WARNING: Follow the warnings and precautions in the chapter "SAFETY WARNINGS" and the instruction manual of the power unit.

Assembling the attachment

1. Remove the cap from the attachment.
► Fig.2: 1. Cap
2. Insert the pipe into the attachment so that the hole on the pipe is aligned with the hole on the attachment. Securely tighten the short bolt first, and then tighten the long bolt to fix the pipe.
► Fig.3: 1. Hole 2. Pipe 3. Bolt (short) 4. Bolt (long)

NOTE: When tightening the bolts, apply 4.0 - 6.0 N•m as tightening torque.

Mounting the attachment pipe

⚠CAUTION: Always check that the attachment pipe is secured after installation. Improper installation may cause the attachment falling off from the power unit and cause personal injury.

Mount the attachment pipe to the power unit.

1. Remove the cap from the end of the pipe.
► Fig.4: 1. Pipe 2. Cap

NOTICE: Do not dispose of the cap since the cap is necessary for storing the attachment.

2. Turn the lever toward the attachment.
► Fig.5: 1. Lever
3. Align the pin with the arrow mark on the power unit. Insert the pipe until the release button pops up. Make sure that the position line is on the tip of the arrow mark on the power unit, and the arrow mark on the power unit and the arrow mark on the pipe are facing each other.
► Fig.6: 1. Release button 2. Arrow mark on the power unit 3. Pin 4. Position line 5. Arrow mark on the pipe

4. Turn the lever toward the power unit.
► Fig.7: 1. Lever

Make sure that the surface of the lever is parallel to the pipe.

NOTICE: Do not tighten the lever without the attachment pipe inserted. Otherwise the lever may tighten the entrance of the drive shaft too much and damage it.

To remove the pipe, turn the lever toward the attachment and pull the pipe out while pressing down the release button.

- Fig.8: 1. Release button 2. Lever 3. Pipe

Installing or removing the shear blades

⚠CAUTION: When replacing the shear blades, always wear gloves so that your hands do not directly contact the blades.

⚠CAUTION: Attach the blade cover before removing or installing the shear blades.

NOTICE: When replacing the shear blades, do not wipe off grease from the crank.

NOTE: Before installing or removing the shear blades, unfold the attachment so that the attachment is straight to the pipe.

1. Attach the blade cover to the shear blades.
▶ **Fig.9:** 1. Blade cover
2. Place the attachment upside down.
3. Remove 4 bolts with the hex wrench and remove cover and plate (large).
▶ **Fig.10:** 1. Bolt 2. Cover 3. Plate (large)
4. Turn the crank with the slotted screwdriver so that the crank is positioned in the direction as shown in the figure.
▶ **Fig.11:** 1. Crank
5. Remove 2 bolts.
▶ **Fig.12:** 1. Bolt
6. Remove the felt pad (short), felt pad (long), plate (small), and sleeves.
▶ **Fig.13:** 1. Felt pad (short) 2. Felt pad (long) 3. Plate (small) 4. Sleeve
7. Remove the shear blades from the attachment.
▶ **Fig.14**
8. Remove the blade cover, and then attach it to the new shear blades.
9. Remove the dust guard from the shear blades, and then attach it in the position shown in the figure on the new shear blades.
▶ **Fig.15:** 1. Dust guard
10. Insert the bolt removed in step 5 into the hole on the shear blades through the hole on the blade cover.
▶ **Fig.16:** 1. Hole 2. Bolt
11. Apply a small amount of grease to the periphery of the crank. Attach the shear blades to the attachment.
▶ **Fig.17**
12. Attach the sleeves, plate (small) to the shear blades, and then tighten the bolt.
▶ **Fig.18:** 1. Bolt 2. Plate (small) 3. Sleeve
13. Remove the bolt inserted into the hole on the shear blades in step 10, and then tighten it to fix the shear blades.
14. Attach the felt pad (short) and felt pad (long).
▶ **Fig.19:** 1. Felt pad (short) 2. Felt pad (long)
15. Attach the plate (large) and cover, and then tighten 4 bolts.
▶ **Fig.20:** 1. Bolt 2. Cover 3. Plate (large)

NOTICE: If the shear blades do not operate properly, the blades are not engaging the crank properly. Remove the blades and install them again.

NOTICE: If the parts other than the shear blades such as the crank are worn out, ask Makita Authorized Service Centers for parts replacement or repairs.

FUNCTIONAL DESCRIPTION

CAUTION: Always be sure that the tool is switched off and the battery cartridge is removed before adjusting or checking function on the tool.

Adjusting the cutting angle

CAUTION: Always be sure that the tool is switched off before adjusting the cutting angle.

The angle of the head can be adjusted in 13 steps. To change the angle of the head, follow the steps below.

1. Hold the angle adjustment handle, and then adjust the angle of the head while pulling the slide lever, and then release the slide lever.

▶ **Fig.21:** 1. Slide lever 2. Angle adjustment handle

2. Move the head slightly until it is locked with a click.

NOTE: Make sure that the head is securely locked before operating the tool.

OPERATION

WARNING: Follow the warnings and precautions in the chapter "SAFETY WARNINGS" and the instruction manual of the power unit.

Operating the tool

WARNING: Do not use the tool near any electrical power lines. Contacting with power lines or using the tool near power lines may cause serious injury or electric shock resulting in death.

WARNING: Keep hands away from shear blades.

WARNING: Be extremely careful to maintain control of the tool at all times. Do not allow the tool to be deflected toward you or anyone in the work vicinity. Failure to keep control of the tool could result in serious injury to the bystander and the operator.

CAUTION: Avoid operating the tool in very hot weather as much as practicable. When operating the tool, be careful of your physical condition.

CAUTION: Be careful not to accidentally contact a metal fence or other hard objects while trimming. The shear blades may break and cause an injury.

CAUTION: Be careful not to allow the shear blades to contact the ground. The tool may recoil and cause an injury.

CAUTION: Overreaching with a hedge trimmer, particularly from a ladder, is extremely dangerous. Do not work while standing on anything wobbly or infirm.

NOTICE: Do not attempt to cut branches thicker than 10 mm in diameter with the tool. Cut branches to 10 cm lower than the cutting height using branch cutters before using the tool.

► **Fig.22:** (1) Cutting height (2) 10 cm

NOTICE: Do not cut down dead trees or similar hard objects. Doing so may damage the tool.

NOTICE: Do not trim the grass or weeds while using the shear blades. The shear blades may become tangled in the grass or weeds.

Hold the tool with both hands by holding the front handle of the power unit or the front grip of the attachment and the rear grip of the power unit.

► **Fig.23:** 1. Front handle 2. Rear grip

Pull the switch trigger while pressing the lock-off lever, and then move the tool forward.

► **Fig.24**

For basic operation, tilt the shear blades toward the trimming direction and move it calmly and slowly at the speed rate of 3 to 4 seconds per meter.

► **Fig.25**

To cut a hedge side evenly, cut from the bottom to top.

► **Fig.26**

When trimming to make a round shape (trimming boxwood or rhododendron, etc.), trim from the root to the top for a beautiful finish.

► **Fig.27**

MAINTENANCE

⚠ WARNING: Before inspecting or maintaining the equipment, switch off the motor and remove the battery cartridge. Otherwise, the machine may start unintentionally and result in serious injury.

⚠ WARNING: When inspecting or maintaining the equipment, always put it down. Assembling or adjusting the equipment in an upright position may result in serious injury.

⚠ WARNING: Follow the warnings and precautions in the chapter "SAFETY WARNINGS" and the instruction manual of the power unit.

⚠ CAUTION: Wear gloves when performing the inspection or maintenance.

NOTICE: Never use gasoline, benzene, thinner, alcohol or the like. Discoloration, deformation or cracks may result.

To maintain product SAFETY and RELIABILITY, repairs, any other maintenance or adjustment should be performed by Makita Authorized or Factory Service Centers, always using Makita replacement parts.

Cleaning the tool

Clean the tool by wiping off dust with a dry cloth or one dipped in soapy water and wrung out.

NOTICE: Never use gasoline, benzene, thinner, alcohol or the like. Discoloration, deformation or cracks may result.

Shear blade maintenance

Before the operation or once per hour during operation, apply low-viscosity oil (machine oil, or spray-type lubricating oil) to the shear blades.

► **Fig.28**

After operation, remove dust from both sides of the shear blades with a wired brush, wipe it off with a cloth and then apply low-viscosity oil (machine oil, or spray-type lubricating oil) to the shear blades.

► **Fig.29**

NOTICE: Do not wash the shear blades in water. Doing so may cause rust or damage to the tool.

NOTICE: Dirt and corrosion cause excessive blade friction and shorten the operating time per battery charge.

Storage

Attach the blade cover to the shear blades so that the blades are not exposed. Store the tool out of the reach of children. Store the tool in a place not exposed to moisture or rain.

When storing the attachment separated from the power unit, put the cap onto the end of the pipe.

► **Fig.30**

Lubricating moving parts

NOTICE: Follow the instruction of the frequency and amount of grease supplied. Otherwise insufficient lubrication may damage moving parts.

Drive axle:

Apply grease (Makita grease N No.2 or equivalent) every 30 hours of operation.

► **Fig.31**

NOTE: Genuine Makita grease may be purchased from your local Makita dealer.

Grease lubrication

Interval of lubrication: Every 25 operating hours

1. Remove the bolt from the hole for lubrication.

► **Fig.32:** 1. Bolt

2. Remove the cap from the grease vessel. Align the outlet of the grease vessel with the hole on the cover, and then turn the grease vessel to attach the outlet of the grease vessel into the hole.

► **Fig.33:** 1. Grease vessel 2. Hole

3. Apply the grease to the tool (Approximately 3 g as a guide).

4. Remove the grease vessel.

5. Tighten the bolt.

Grinding the shear blades

NOTICE: If the shear blades have considerably deformed by grinding, replace the shear blades with new ones.

1. Install the battery cartridge to the tool.
2. Turn on and start the tool so that the upper blade and lower blade are positioned alternately.
▶ Fig.34
3. Turn off the tool and remove the battery cartridge from the tool.
4. Set the angle of a file to 45°, and grind the upper blade from 3 directions with the file.
▶ Fig.35: (1) File (2) 45°

CAUTION: Before grinding the shear blades, make sure that the tool is switched off and the battery cartridge is removed from the tool.

5. Place the tool upside down, and then remove the burrs from the shear blades with the dressing stone.
▶ Fig.36: 1. Dressing stone
6. Set the angle of the file to 45°, and grind the lower blade from 3 directions with the file.
7. Return the tool to normal position, and then remove the burrs from the shear blades with the dressing stone.

TROUBLESHOOTING

Before asking for repairs, conduct your own inspection first. If you find a problem that is not explained in the manual, do not attempt to dismantle the tool. Instead, ask Makita Authorized Service Centers, always using Makita replacement parts for repairs.

State of abnormality	Probable cause (malfunction)	Remedy
Motor does not start.	-	Refer to the instruction manual of the power unit.
Motor stops soon.	-	Refer to the instruction manual of the power unit.
Motor speed does not increase.	-	Refer to the instruction manual of the power unit.
Shear blades do not move: ⇒ stop the machine immediately!	Foreign objects are caught between the shear blades.	Switch off the tool and remove the battery cartridge, and then remove the foreign objects using tools such as pliers.
	The drive system does not work correctly.	Ask your local authorized service center for repair.
Abnormal vibration: ⇒ stop the machine immediately!	Shear blades are broken, bent or worn.	Replace the shear blades.
	The drive system does not work correctly.	Ask your local authorized service center for repair.
Shear blades and motor cannot stop: ⇒ Remove the battery immediately!	Electric malfunction.	Remove the battery and ask your local authorized service center for repair.

OPTIONAL ACCESSORIES

CAUTION: These accessories or attachments are recommended for use with your Makita machine specified in this manual. The use of any other accessories or attachments might present a risk of injury to persons. Only use accessory or attachment for its stated purpose.

If you need any assistance for more details regarding these accessories, ask your local Makita Service Center.

- Shear blade assembly
- Grease vessel
- Makita genuine battery and charger

NOTE: Some items in the list may be included in the product package as standard accessories. They may differ from country to country.

SPÉCIFICATIONS

Modèle :	EN402MP
Longueur de la lame	500 mm
Longueur totale	1444 mm
Poids net	2,4 kg

- Étant donné l'évolution constante de notre programme de recherche et de développement, les spécifications contenues dans ce manuel sont sujettes à modification sans préavis.
- Les spécifications peuvent varier suivant les pays.

Unité motorisée approuvée

Cet accessoire est approuvé pour être utilisé avec le ou les unités motorisées suivantes :

- DUX60 Moteur multi-fonctions sans fil
- DUX18 Moteur multi-fonctions sans fil
- UX01G Moteur multi-fonctions sans fil

⚠ AVERTISSEMENT : Ne jamais utiliser l'accessoire avec une unité motorisée non approuvée. Une combinaison non approuvée peut provoquer de graves blessures.

Symboles

Vous trouverez ci-dessous les symboles susceptibles d'être utilisés pour l'appareil. Veuillez à comprendre leur signification avant toute utilisation.

-  Lire et respecter ce mode d'emploi.
-  DANGER - Gardez vos mains à l'écart de la lame.
-  Attention aux lignes électriques. Risque d'électrocution.
-  Porter un casque de sécurité, des lunettes de protection et un serre-tête antibruit.
-  Porter des gants de protection.
-  Porter des bottes robustes à semelles antidérapantes.
-  Éloigner les badauds et les animaux d'au moins 15 m de l'outil électrique.
-  Éloigner les personnes et les animaux de l'aire de fonctionnement.



Niveau de puissance sonore garanti selon la directive européenne sur le bruit dans l'environnement.



Niveau de puissance sonore selon la réglementation australienne NSW sur le contrôle du bruit

Utilisations

Cet accessoire est conçu uniquement pour la taille de haies en association avec un outil motorisé approuvé. N'utilisez jamais l'accessoire à toutes autres fins. Une utilisation inadéquate de l'accessoire pourrait provoquer de graves blessures.

Déclaration de conformité CE

Pour les pays européens uniquement

Nous, fabricants : **Makita Europe N.V.**, adresse commerciale : **Jan-Baptist Vinkstraat 2 3070 Kortenberg BELGIQUE**. Autorisons **Hiroshi Tsujimura** pour la compilation du fichier technique et déclarons sous notre seule responsabilité que le ou les produits ; désignation : **Tête Taille-Haie à Perche** ; désignation du (des) type(s) : **EN402MP** ; respectent toutes les dispositions pertinentes de la Directive **2006/42/CE** et respectent également toutes les dispositions pertinentes des Directives CE/UE suivantes : **2000/14/CE** et sont fabriqués conformément aux normes harmonisées suivantes : **EN62841-1:2015, EN 62841-4-2:2019, EN ISO 11806-1:2011**. Lieu et date de déclaration : **Kortenberg, Belgique. 20. 12. 2022**
 Personne responsable : **Hiroshi Tsujimura, Directeur - Makita Europe N.V.**



CONSIGNES DE SÉCURITÉ

Consignes de sécurité pour taille-haie sur perche sans fil

- Prenez soin de n'approcher aucune partie du corps de la lame. Ne retirez pas le matériau coupé, ni ne tenez le matériau à couper lorsque les lames sont en mouvement.** Les lames continuent de bouger même après que l'interrupteur est en position d'arrêt. Un moment d'inattention en cours d'utilisation du taille-haie peut entraîner des blessures graves.
- Transportez le taille-haie par la poignée avec la lame arrêtée et en prenant soin de ne pas actionner l'interrupteur d'alimentation.** En transportant correctement le taille-haie, vous diminuez le risque d'un démarrage intempestif et le risque de blessure présenté par les lames.
- Lors du transport ou du rangement du taille-haie, mettez toujours en place le couvre-lame.** Une manipulation correcte du taille-haie réduira le risque de blessure présenté par les lames.
- Lorsque vous dégagez un matériau bloqué ou dépannez l'appareil, assurez-vous que tous les interrupteurs d'alimentation sont en position d'arrêt et que la batterie est retirée ou débranchée.** Le déclenchement inopiné du taille-haie pendant que vous dégagez un matériau bloqué ou dépannez l'appareil peut provoquer de graves blessures corporelles.
- Tenez le taille-haie uniquement par ses surfaces de prise isolées, car la lame pourrait entrer en contact avec le câblage caché.** Le contact des lames avec un fil sous tension peut transmettre du courant dans les pièces métalliques exposées du taille-haie et électrocuter l'opérateur.
- Éloignez les cordons d'alimentation et les câbles de la zone de coupe.** Les cordons d'alimentation ou les câbles peuvent être cachés derrière les haies ou les buissons et peuvent être coupés accidentellement par la lame.
- N'utilisez pas le taille-haie par mauvais temps, particulièrement en cas d'orage.** Vous éviterez ainsi d'être frappé par la foudre.
- Pour réduire le risque d'électrocution, n'utilisez jamais le taille-haie sur perche près d'une ligne électrique.** Le contact avec des lignes électriques ou l'utilisation près de lignes électriques présente un danger mortel de graves blessures ou d'électrocution.
- Servez-vous toujours de vos deux mains lorsque vous utilisez le taille-haie sur perche.** Tenez le taille-haie sur perche des deux mains pour éviter toute perte de contrôle.
- Portez toujours un casque de sécurité lorsque vous utilisez le taille-haie sur perche au-dessus de votre tête.** La chute de débris peut provoquer de graves blessures corporelles.

Consignes de sécurité supplémentaires

Préparatifs

- CE TAILLE-HAIE PEUT PROVOQUER DE GRAVES BLESSURES.** Lisez attentivement les instructions pour connaître les procédures correctes de manipulation, préparation, maintenance, démarrage et arrêt de l'outil. Familiarisez-vous avec toutes les commandes et la bonne utilisation de l'outil.
- Vérifiez l'absence de corps étrangers comme du fil barbelé ou un câblage caché dans les haies et les buissons avant d'utiliser l'outil.**
- Le taille-haie ne doit pas être utilisé par des enfants ou des adolescents de moins de 18 ans.** Cette restriction peut ne pas s'appliquer aux mineurs de plus de 16 ans s'ils sont en cours de formation sous la surveillance d'un expert.
- En cas d'urgence, éteignez l'outil et retirez la batterie sur le champ.**
- DANGER - Gardez vos mains à l'écart de la lame.** Le contact avec la lame présente un risque de graves blessures corporelles.
- Les utilisateurs novices doivent être formés par un utilisateur expérimenté pour leur montrer comment utiliser l'outil.**
- Avant toute utilisation, examinez l'aire de travail pour vous assurer qu'elle ne présente pas de fils barbelés, de pierres ou d'autres objets durs. Ils peuvent endommager les lames.**
- N'utilisez le taille-haie que si vous êtes en bonne condition physique.** Si vous êtes fatigué, votre attention sera réduite. Redoublez de prudence à la fin d'une journée de travail. Travaillez toujours en faisant preuve de calme et de prudence. L'utilisateur est responsable de tous les dommages causés à des tiers.
- Avant de commencer la tâche, assurez-vous que le taille-haie est dans un bon état de marche sécuritaire. Assurez-vous que les carter de protection sont correctement installés.** Le taille-haie ne doit pas être utilisé tant qu'il n'est pas complètement assemblé.
- Évitez les environnements dangereux. N'utilisez pas l'outil dans un endroit humide, ni ne l'exposez à la pluie.** Le risque d'électrocution augmente si de l'eau pénètre dans l'outil.

Équipement de protection individuelle

- Les gants de travail en cuir robuste font partie de l'équipement de base du taille-haie et leur port est obligatoire pendant que vous l'utilisez.** Portez également des chaussures solides à semelles antidérapantes.
- Portez des protections auditives comme des coquilles anti-bruit afin d'éviter une perte d'audition.**
- Portez des lunettes de protection, un casque de sécurité et des gants de protection pour vous protéger des projections de débris ou des chutes d'objets.**
- Lorsque vous touchez les lames ou ajustez l'angle des lames, portez des gants de protection.** Les lames peuvent gravement couper les mains nues.

Fonctionnement

- 1. Servez-vous toujours de vos deux mains pour utiliser l'outil.** Si vous ne vous servez que d'une seule main, vous risquez de perdre le contrôle et de gravement vous blesser.
- 2. Pendant que vous utilisez l'outil, assurez-vous toujours que la position de fonctionnement est sûre.** Il est très dangereux de se pencher trop loin avec l'outil, particulièrement depuis une échelle. Ne travaillez pas depuis une surface bancale ou molle.
- 3. Ne portez pas simultanément de ceintures-baudriers et/ou de bandoulières lorsque vous utilisez l'outil.**
- 4. Pendant le fonctionnement, éloignez les badauds ou les animaux d'au moins 15 m de l'outil.** Arrêtez l'outil aussitôt que quelqu'un s'approche.
- 5. Si l'outil de coupe heurte un objet ou si l'outil démarre avec un bruit ou des vibrations inhabituels, éteignez l'outil et retirez la batterie sur le champ, puis laissez l'outil s'arrêter.** Prenez ensuite les étapes suivantes :
 - inspectez les dommages
 - vérifiez et resserrez les pièces mal serrées
 - faites remplacer ou réparer les pièces endommagées par des pièces de rechange d'origine.
- 6. N'utilisez l'outil qu'aux fins prévues. N'utilisez pas l'outil à d'autres fins.**
- 7. Mettez l'outil hors tension et retirez la batterie avant de :**
 - nettoyer ou débloquer l'outil,
 - effectuer la vérification, la maintenance ou l'entretien de l'outil,
 - ajuster la position de travail des lames de cisaille,
 - laisser l'outil sans surveillance.
- 8. Assurez-vous que l'outil est correctement placé dans une position de travail désignée avant de le démarrer.**
- 9. N'utilisez pas l'outil si les lames de cisaille sont endommagées ou très usées.**
- 10. Soyez toujours vigilant à ce qui vous entoure et restez attentif aux dangers potentiels dont vous n'avez peut-être pas conscience en raison du bruit de l'outil.**
- 11. Prenez soin de ne pas toucher accidentellement une clôture en métal ou d'autres objets durs pendant le fonctionnement.** La lame casera et pourrait provoquer de graves blessures.
- 12. Évitez les démarrages intempestifs. Ne transportez pas l'outil avec la batterie insérée et avec le doigt sur l'interrupteur.** Assurez-vous que l'interrupteur est en position d'arrêt lorsque vous insérez la batterie.
- 13. Ne saisissez pas les lames de coupe exposées ou les bords tranchants pour soulever ou tenir l'outil.**
- 14. Ne forcez pas l'outil.** Si vous respectez le régime pour lequel il a été conçu, il réalisera un travail de meilleure qualité et avec moins de risque de blessures.
- 15. N'utilisez pas l'outil sous la pluie ou dans des conditions mouillées ou très humides.** Le moteur électrique n'est pas étanche.
- 16. Tenez l'outil fermement lorsque vous l'utilisez.**
- 17. Ne faites pas tourner l'outil à vide inutilement.**
- 18. Avant de vérifier les lames de cisaille, de les dépanner ou de retirer des corps étrangers pris dedans, éteignez toujours l'outil et retirez la batterie.**
- 19. Ne dirigez jamais les lames de cisaille vers vous-même ou quelqu'un d'autre.**
- 20. Si les lames cessent de bouger, car des corps étrangers sont collés entre elles pendant le fonctionnement, éteignez l'outil et retirez la batterie, puis ôtez les corps étrangers en utilisant un outil comme une pince.** Ôter les corps étrangers à la main présente un risque de blessure, du fait que les lames peuvent bouger en réaction au retrait des corps étrangers.
- 21. Lors de la fixation ou du retrait du couvre-lame, prenez soin de ne pas vous blesser les mains.**

Sécurité électrique et sécurité des batteries

- 1. Évitez les environnements dangereux. N'utilisez pas l'outil dans un endroit humide, ni ne l'exposez à la pluie.** Le risque d'électrocution augmente si de l'eau pénètre dans l'outil.
- 2. Ne jetez pas la ou les batteries au feu.** L'élément de la pile pourrait exploser. Consultez les codes locaux pour de possibles instructions de mise au rebut spéciales.
- 3. N'ouvrez ni ne manipulez la ou les batteries.** L'électrolyte qui s'échappe de la batterie est corrosif et peut irriter la peau ou les yeux. Il peut être toxique en cas d'ingestion.
- 4. Ne chargez pas la batterie sous la pluie ou dans un endroit mouillé.**
- 5. Ne pas charger la batterie à l'extérieur.**
- 6. Ne manipulez pas le chargeur, y compris la fiche du chargeur et les bornes du chargeur avec les mains mouillées.**

Entretien et rangement

- 1. Lorsque l'outil est arrêté pour effectuer un dépannage ou une inspection, ou le ranger, éteignez-le, retirez la batterie et assurez-vous que toutes les pièces mobiles sont arrêtées.** Laissez l'outil refroidir avant d'effectuer une inspection, un réglage, etc.
- 2. Laissez toujours l'outil refroidir avant de le ranger.**
- 3. Quand l'outil n'est pas utilisé, le couvre-lame doit être en place et l'outil doit être rangé à l'intérieur dans un endroit sec, surélevé, fermé à clef et hors de portée des enfants.**
- 4. Entretenez soigneusement l'outil.** Conservez le tranchant net et propre pour des performances optimales et pour réduire le risque de blessures. Suivez les instructions pour la lubrification et le remplacement des accessoires. Les manches doivent être secs, propres et ne doivent pas présenter de traces d'huile ou de graisse.

5. Vérifiez les pièces endommagées. Avant toute nouvelle utilisation de l'outil, vérifiez soigneusement toute pièce endommagée pour déterminer qu'elle fonctionne bien et remplissez sa fonction prévue. Assurez-vous que les pièces en mouvement ne sont pas désalignées ou coincées, qu'aucune pièce ou fixation n'est cassée ou la présence de toute autre condition pouvant affecter le bon fonctionnement. Si le carter de protection ou toute autre pièce sont endommagés, ils doivent être réparés ou remplacés de manière adéquate par votre centre de service après-vente agréé.
6. Utilisez uniquement des pièces de rechange d'origine.
7. Lorsque vous déplacez l'outil dans un autre endroit, y compris pendant le travail, retirez toujours la batterie et placez le couvre-lame sur les lames de cisaille. Ne transportez jamais l'outil avec les lames fonctionnant. Ne saisissez jamais les lames avec les mains.
8. Nettoyez l'outil et particulièrement les lames de cisaille après utilisation et avant de le ranger pendant une période prolongée. Huilez légèrement les lames de cisaille et mettez le couvre-lame en place.
9. Ne jetez pas la ou les batteries au feu. L'élément de la pile pourrait exploser. Consultez les codes locaux pour de possibles instructions de mise au rebut spéciales.
10. N'ouvrez ni ne manipulez la ou les batteries. L'électrolyte qui s'échappe de la batterie est corrosif et peut irriter la peau ou les yeux. Il peut être toxique en cas d'ingestion.
11. Ne chargez pas la batterie sous la pluie ou dans un endroit mouillé.

CONSERVEZ CES INSTRUCTIONS.

⚠️ AVERTISSEMENT : NE vous laissez PAS tromper (au fil d'une utilisation répétée) par un sentiment d'aisance et de familiarité avec le produit, en négligeant le respect rigoureux des consignes de sécurité qui accompagnent le produit en question. La MAUVAISE UTILISATION de l'outil ou l'ignorance des consignes de sécurité indiquées dans ce mode d'emploi peut entraîner de graves blessures.

DESCRIPTION DES PIÈCES

- Fig.1: 1. Couvre-lame 2. Poignée de réglage de l'angle 3. Capuchon 4. Lames de cisaille 5. Levier coulissant 6. Manche avant

ASSEMBLAGE

⚠️ AVERTISSEMENT : Avant de monter ou de régler l'équipement, coupez le moteur et retirez la batterie. Autrement, la machine pourrait démarrer brusquement et provoquer des blessures.

⚠️ AVERTISSEMENT : Lorsque vous montez ou réglez l'équipement, posez-le toujours. Le montage ou le réglage de l'équipement en position verticale peut entraîner de graves blessures.

⚠️ AVERTISSEMENT : Suivez les avertissements et les précautions du chapitre « CONSIGNES DE SÉCURITÉ » et le manuel d'instructions de l'unité motorisée.

Assemblage de l'accessoire

1. Retirez le capuchon de l'accessoire.
► Fig.2: 1. Capuchon
2. Insérez le tuyau dans l'accessoire de sorte que l'orifice sur le tuyau soit aligné avec l'orifice sur l'accessoire. Serrez solidement le boulon court en premier, puis serrez le boulon long pour fixer le tuyau.
► Fig.3: 1. Orifice 2. Tuyau 3. Boulon (court) 4. Boulon (long)

NOTE : Lorsque vous serrez les boulons, appliquez le couple de serrage suivant : 4,0 - 6,0 N*m.

Fixation du tuyau pour accessoire

⚠️ ATTENTION : Vérifiez toujours que le tuyau pour accessoire est fixé en place après l'installation. Une installation incorrecte peut faire tomber l'accessoire de l'outil motorisé et provoquer des blessures.

Fixez le tuyau pour accessoire à l'outil motorisé.

1. Retirez le capuchon de l'extrémité du tuyau.
► Fig.4: 1. Tuyau 2. Capuchon

REMARQUE : Ne jetez pas le capuchon, car il est nécessaire pour ranger l'accessoire.

2. Actionnez le levier vers l'accessoire.
► Fig.5: 1. Levier
3. Alignez la goupille avec le repère fléché sur l'outil motorisé. Insérez le tuyau jusqu'à ce que le bouton de dégagement sorte.
Assurez-vous que la ligne de position se trouve sur la pointe du repère fléché sur l'outil motorisé, et que le repère fléché sur l'outil motorisé et celui sur le tuyau se font face.
► Fig.6: 1. Bouton de dégagement 2. Repère fléché sur l'outil motorisé 3. Goupille 4. Ligne de position 5. Repère fléché sur le tuyau

4. Actionnez le levier vers l'outil motorisé.
► Fig.7: 1. Levier

Assurez-vous que la surface du levier est parallèle au tuyau.

REMARQUE : Ne serrez pas le levier sans avoir inséré le tuyau pour accessoire. Le levier pourrait autrement trop serrer l'entrée de l'arbre d'entraînement et l'endommager.

Pour retirer le tuyau, actionnez le levier vers l'accès-
soire et tirez sur le tuyau pour le sortir tout en appuyant
sur le bouton de dégagement.

► **Fig.8:** 1. Bouton de dégagement 2. Levier 3. Tuyau

Pose ou dépose des lames de cisaille

⚠ATTENTION : Lorsque vous remplacez les lames de cisaille, portez toujours des gants de sorte que vos mains ne touchent pas directement les lames.

⚠ATTENTION : Fixez le couvre-lame avant de déposer ou poser les lames de cisaille.

REMARQUE : Lorsque vous remplacez les lames de cisaille, ne retirez pas la graisse de la manivelle.

NOTE : Avant d'installer ou de retirer les lames de cisaille, déployez l'accessoire pour qu'il soit en ligne droite par rapport au tuyau.

1. Fixez le couvre-lame sur les lames de cisaille.

► **Fig.9:** 1. Couvre-lame

2. Posez l'accessoire à l'envers.

3. Retirez 4 boulons avec la clé hexagonale et retirez le couvercle et la plaque (grande).

► **Fig.10:** 1. Boulon 2. Couvercle 3. Plaque (grande)

4. Tournez la manivelle avec le tournevis plat de sorte qu'elle soit placée dans le sens indiqué sur la figure.

► **Fig.11:** 1. Manivelle

5. Retirez 2 boulons.

► **Fig.12:** 1. Boulon

6. Retirez les tampons de feutre (court et long), la plaque (petite) et les manchons.

► **Fig.13:** 1. Tampon de feutre (court) 2. Tampon de feutre (long) 3. Plaque (petite) 4. Manchon

7. Retirez les lames de cisaille de l'accessoire.

► **Fig.14**

8. Retirez le couvre-lame, puis fixez-le aux lames de cisaille neuves.

9. Retirez le pare-poussière des lames de cisaille, puis fixez-le dans la position indiquée sur la figure sur les lames de cisailles neuves.

► **Fig.15:** 1. Pare-poussière

10. Insérez le boulon retiré à l'étape 5 dans le trou sur les lames de cisaille par le trou sur le couvre-lame.

► **Fig.16:** 1. Trou 2. Boulon

11. Appliquez une petite quantité de graisse sur la périphérie de la manivelle. Fixez les lames de cisaille sur l'accessoire.

► **Fig.17**

12. Fixez les manchons, la plaque (petite) aux lames de cisaille, puis serrez le boulon.

► **Fig.18:** 1. Boulon 2. Plaque (petite) 3. Manchon

13. Retirez le boulon inséré dans le trou sur les lames de cisaille à l'étape 10, puis serrez-le pour fixer les lames de cisaille.

14. Fixez les tampons de feutre (court et long).

► **Fig.19:** 1. Tampon de feutre (court) 2. Tampon de feutre (long)

15. Fixez la plaque (grande) et le couvercle, puis serrez 4 boulons.

► **Fig.20:** 1. Boulon 2. Couvercle 3. Plaque (grande)

REMARQUE : Si les lames de cisaille ne fonctionnent pas correctement, les lames ne sont pas engagées correctement dans la manivelle. Retirez les lames, puis remettez-les en place.

REMARQUE : Si d'autres pièces que les lames de cisaille comme la manivelle sont usées, demandez leur remplacement ou réparation aux centres de service après-vente Makita agréés.

DESCRIPTION DU FONCTIONNEMENT

⚠ATTENTION : Assurez-vous toujours que l'outil est hors tension et que sa batterie est retirée avant de l'ajuster ou de vérifier son fonctionnement.

Réglage de l'angle de coupe

⚠ATTENTION : Assurez-vous toujours que l'outil est hors tension avant de régler l'angle de coupe.

L'angle de la tête peut être réglé en 13 étapes. Pour modifier l'angle de la tête, suivez les étapes ci-dessous.

1. Tenez la poignée de réglage de l'angle, puis réglez l'angle de la tête tout en enclenchant le levier coulissant, puis relâchez le levier coulissant.

► **Fig.21:** 1. Levier coulissant 2. Poignée de réglage de l'angle

2. Déplacez légèrement la tête jusqu'à ce qu'elle se verrouille en place avec un déclic.

NOTE : Assurez-vous que la tête est solidement verrouillée avant d'utiliser l'outil.

UTILISATION

⚠️ AVERTISSEMENT : Suivez les avertissements et les précautions du chapitre « CONSIGNES DE SÉCURITÉ » et le manuel d'instructions de l'unité motorisée.

Fonctionnement de l'outil

⚠️ AVERTISSEMENT : N'utilisez pas l'outil près de lignes électriques. Le contact avec des lignes électriques ou l'utilisation de l'outil près de lignes électriques présente un danger mortel de graves blessures ou d'électrocution.

⚠️ AVERTISSEMENT : Éloignez les mains des lames de cisaille.

⚠️ AVERTISSEMENT : Redoublez de prudence pour garder constamment la maîtrise de l'outil. Ne laissez pas l'outil dévier vers vous ou en direction de quiconque à proximité de la zone de travail. Si vous ne maîtrisez pas l'outil, vous risqueriez de vous blesser et de blesser d'autres personnes.

⚠️ ATTENTION : Évitez autant que possible de faire fonctionner l'outil par temps très chaud. Lorsque vous utilisez l'outil, faites attention à votre condition physique.

⚠️ ATTENTION : Prenez soin de ne pas toucher accidentellement une clôture en métal ou d'autres objets durs pendant la coupe. Les lames de cisaille peuvent se briser et vous blesser.

⚠️ ATTENTION : Prenez soin de ne pas laisser les lames de cisaille entrer en contact avec le sol. L'outil pourrait avoir un mouvement de recul et provoquer des blessures.

⚠️ ATTENTION : Il est très dangereux de se pencher trop loin avec un taille-haie, particulièrement depuis une échelle. Ne travaillez pas en vous tenant debout sur une surface bancale ou molle.

REMARQUE : N'essayez pas de couper avec l'outil des branches dont l'épaisseur dépasse 10 mm de diamètre. Coupez les branches à 10 cm plus bas que la hauteur de coupe au moyen d'un coupe-branches avant d'utiliser l'outil.

► Fig.22: (1) Hauteur de coupe (2) 10 cm

REMARQUE : Ne coupez pas d'arbres morts ou d'objets durs semblables. Vous risqueriez d'endommager l'outil.

REMARQUE : Ne coupez pas l'herbe ou les mauvaises herbes pendant que vous utilisez les lames de cisaille. Les lames de cisaille peuvent s'entortiller dans l'herbe ou les mauvaises herbes.

Tenez l'outil des deux mains en tenant la poignée avant de l'outil motorisé ou le manche avant de l'accessoire et le manche arrière de l'outil motorisé.

► Fig.23: 1. Poignée avant 2. Manche arrière

Enclenchez la gâchette tout en enfonçant le levier de sécurité, puis déplacez l'outil vers l'avant.

► Fig.24

Pour une utilisation élémentaire, inclinez les lames de cisaille dans le sens de coupe et déplacez-le calmement et lentement à une vitesse de 3 à 4 secondes par mètre.

► Fig.25

Pour couper uniformément le côté d'une haie, coupez de bas en haut.

► Fig.26

Pour tailler une forme ronde (taille de buis ou rhododendron, etc.), coupez depuis la racine jusqu'en haut pour obtenir un rendu magnifique.

► Fig.27

ENTRETIEN

⚠️ AVERTISSEMENT : Avant l'inspection ou l'entretien de l'équipement, coupez le moteur et retirez la batterie. Autrement, la machine pourrait démarrer brusquement et provoquer de graves blessures.

⚠️ AVERTISSEMENT : Lorsque vous inspectez ou entretenez l'équipement, posez-le toujours. Le montage ou le réglage de l'équipement en position verticale peut entraîner de graves blessures.

⚠️ AVERTISSEMENT : Suivez les avertissements et les précautions du chapitre « CONSIGNES DE SÉCURITÉ » et le manuel d'instructions de l'unité motorisée.

⚠️ ATTENTION : Portez des gants lorsque vous effectuez l'inspection ou l'entretien.

REMARQUE : N'utilisez jamais d'essence, benzine, diluant, alcool ou autre produit similaire. Cela risquerait de provoquer la décoloration, la déformation ou la fissuration de l'outil.

Pour assurer la SÉCURITÉ et la FIABILITÉ du produit, toute réparation, tout travail d'entretien ou de réglage doivent être effectués par un centre d'entretien Makita agréé, avec des pièces de rechange Makita.

Nettoyage de l'outil

Nettoyez l'outil en essuyant la poussière avec un chiffon sec ou un chiffon imbibé d'eau savonneuse bien essoré.

REMARQUE : N'utilisez jamais d'essence, benzine, diluant, alcool ou autre produit similaire. Cela risquerait de provoquer la décoloration, la déformation ou la fissuration de l'outil.

Entretien des lames de cisaille

Avant utilisation ou une fois toutes les heures pendant l'utilisation, appliquez de l'huile à faible viscosité (huile machine ou huile lubrifiante en vaporisateur) sur les lames de cisaille.

► Fig.28

Après utilisation, retirez la poussière des deux côtés des lames de cisaille avec une brosse métallique, essuyez-la avec un chiffon, puis appliquez de l'huile à faible viscosité (huile machine ou huile lubrifiante en vaporisateur) sur les lames de cisaille.

► Fig.29

REMARQUE : Ne lavez pas les lames de cisaille dans l'eau. Cela peut les corroder ou endommager l'outil.

REMARQUE : La saleté et la corrosion provoquent une friction excessive de la lame et réduisent la durée de fonctionnement par charge de batterie.

Rangement

Fixez le couvre-lame aux lames de cisaille de sorte que les lames ne soient pas exposées. Rangez l'outil hors de portée des enfants. Rangez l'outil dans un endroit non exposé à l'humidité ou à la pluie.

Lorsque vous rangez l'accessoire séparément de l'outil motorisé, placez le capuchon sur l'extrémité du tuyau.

► Fig.30

Lubrification des pièces mobiles

REMARQUE : Suivez les instructions sur la fréquence et la quantité de graisse fournie.

Autrement une lubrification insuffisante pourrait endommager les pièces mobiles.

Essieu moteur :

Appliquez la graisse (Graisse Makita N No.2 ou équivalent) toutes les 30 heures de fonctionnement.

► Fig.31

NOTE : Vous pouvez acheter de la graisse de marque Makita auprès de votre revendeur local Makita.

Lubrification à la graisse

Intervalle de lubrification : Toutes les 25 heures de fonctionnement

1. Retirez le boulon du trou pour la lubrification.

► Fig.32: 1. Boulon

2. Retirez le bouchon du tube de graisse. Alignez la sortie du tube de graisse avec le trou sur le couvercle, puis tournez le tube de graisse pour fixer sa sortie dans le trou.

► Fig.33: 1. Tube de graisse 2. Trou

3. Graissez l'outil (environ 3 g, à titre indicatif).

4. Déposez le tube de graisse.

5. Serrez le boulon.

Aiguisage des lames de cisaille

REMARQUE : Si les lames de cisaille sont considérablement déformées par l'aiguisage, remplacez-les par des neuves.

1. Installez la batterie dans l'outil.

2. Mettez l'outil sous tension et démarrez-le de sorte que la lame supérieure et la lame inférieure soient placées de façon alternée.

► Fig.34

3. Mettez l'outil hors tension et retirez la batterie de l'outil.

4. Réglez l'angle d'une lime à 45°, et aiguiser la lame supérieure dans 3 directions avec la lime.

► Fig.35: (1) Lime (2) 45°

ATTENTION : Avant d'aiguiser les lames de cisaille, assurez-vous que l'outil est éteint et que la batterie est retirée de l'outil.

5. Placez l'outil à l'envers, puis retirez les bavures des lames de cisaille avec la pierre d'affûtage.

► Fig.36: 1. Pierre d'affûtage

6. Réglez l'angle de la lime à 45°, et aiguiser la lame inférieure dans 3 directions avec la lime.

7. Placez l'outil sur la position normale, puis retirez les bavures des lames de cisaille avec la pierre d'affûtage.

GUIDE DE DÉPANNAGE

Avant de faire une demande de réparation, effectuez d'abord vous-même une inspection. Si vous rencontrez un problème non documenté dans le mode d'emploi, n'essayez pas de démonter l'outil. Demandez plutôt à un centre de service après-vente Makita agréé d'effectuer la réparation au moyen de pièces de rechange Makita.

État d'anomalie	Cause probable (dysfonctionnement)	Solution
Le moteur ne démarre pas.	-	Consultez le manuel d'instructions de l'unité motorisée.
Le moteur s'arrête rapidement.	-	Consultez le manuel d'instructions de l'unité motorisée.
Le moteur n'accélère pas.	-	Consultez le manuel d'instructions de l'unité motorisée.
Les lames de cisaille ne bougent pas : ⇒ arrêtez immédiatement la machine !	Des corps étrangers sont coincés entre les lames de cisaille.	Éteignez l'outil et retirez la batterie, puis enlevez les corps étrangers en utilisant un outil comme une pince.
	Le mécanisme d'entraînement ne fonctionne pas correctement.	Demandez à votre centre de service après-vente local agréé d'effectuer la réparation.
Vibration anormale : ⇒ arrêtez immédiatement la machine !	Les lames de cisaille sont cassées, pliées ou usées.	Remplacez les lames de cisaille.
	Le mécanisme d'entraînement ne fonctionne pas correctement.	Demandez à votre centre de service après-vente local agréé d'effectuer la réparation.
Les lames de cisaille et le moteur ne s'arrêtent pas : ⇒ retirez immédiatement la batterie !	Dysfonctionnement électrique.	Retirez la batterie et demandez à votre centre de service après-vente local agréé d'effectuer la réparation.

ACCESSOIRES EN OPTION

⚠ ATTENTION : Ces accessoires ou pièces complémentaires sont recommandés pour l'utilisation avec la machine Makita spécifiée dans ce manuel. L'utilisation de tout autre accessoire peut présenter un risque de blessure. N'utilisez un accessoire que pour son usage prévu.

Pour obtenir plus de détails sur ces accessoires, contactez votre centre d'entretien local Makita.

- Ensemble de lame de cisaille
- Tube de graisse
- Batterie et chargeur de marque Makita

NOTE : Il se peut que certains éléments de la liste soient compris dans l'emballage du produit en tant qu'accessoires standard. Ils peuvent varier d'un pays à l'autre.

TECHNISCHE DATEN

Modell:	EN402MP
Messerlänge	500 mm
Gesamtlänge	1444 mm
Nettogewicht	2,4 kg

- Wir behalten uns vor, Änderungen der technischen Daten im Zuge der Entwicklung und des technischen Fortschritts ohne vorherige Ankündigung vorzunehmen.
- Die technischen Daten können von Land zu Land unterschiedlich sein.

Zugelassenes Antriebsaggregat

Dieser Aufsatz ist nur für den Einsatz mit dem (den) folgenden Antriebsaggregat(en) zugelassen:

- DUX60 Multifunktions-Antrieb
- DUX18 Multifunktions-Antrieb
- UX01G Multifunktions-Antrieb

! WARNUNG: Benutzen Sie den Aufsatz niemals mit einem nicht zugelassenen Antriebsaggregat. Eine nicht zugelassene Kombination kann schwere Verletzungen verursachen.

Symbole

Nachfolgend werden Symbole beschrieben, die für das Gerät verwendet werden können. Machen Sie sich unbedingt vor der Benutzung mit ihrer Bedeutung vertraut.



Lesen und befolgen Sie die Gebrauchsanleitung.



GEFAHR- Halten Sie Ihre Hände vom Messer fern.



Vorsicht vor elektrischen Leitungen. Stromschlaggefahr.



Schutzhelm, Schutzbrille und Gehörschutz tragen.



Schutzhandschuhe tragen.



Feste Schuhe mit rutschfesten Sohlen tragen.



Umstehende und Tiere mindestens 15 m vom kraftbetriebenen Werkzeug entfernt halten.



Den Arbeitsbereich von Personen und Tieren frei halten.



Garantierter Schalleistungspegel gemäß der EU-Richtlinie über Außenlärm.



Schalleistungspegel gemäß der australischen NSW-Lärmschutzverordnung

Vorgesehene Verwendung

Dieser Aufsatz ist ausschließlich zum Beschneiden von Hecken in Verbindung mit einem zugelassenen Antriebsaggregat vorgesehen. Benutzen Sie den Aufsatz niemals für andere Zwecke. Missbrauch des Aufsatzes kann schwere Verletzungen verursachen.

EG-Konformitätserklärung

Nur für europäische Länder

Wir als die Hersteller: **Makita Europe N.V.**,
Geschäftsadresse: **Jan-Baptist Vinkstraat 2
3070 Kortenberg BELGIEN**. Beauftragen **Hiroshi Tsujimura** mit der Zusammenstellung der technischen Dokumentation und erklären unter unserer alleinigen Verantwortung, dass das (die) Produkt(e);
Bezeichnung: **Heckenschere-Aufsatz**. Bezeichnung des Typs (der Typen): **EN402MP**.
Erfüllt alle relevanten Vorschriften von **2006/42/EG** sowie alle relevanten Vorschriften der folgenden EG/EU-Richtlinien: **2000/14/EG** und werden in Übereinstimmung mit den folgenden harmonisierten Normen hergestellt: **EN62841-1:2015, EN 62841-4-2:2019, EN ISO 11806-1:2011**.
Ort und Datum der Erklärung: **Kortenberg, Belgien. 20. 12. 2022**
Verantwortliche Person: **Hiroshi Tsujimura, Direktor - Makita Europe N.V.**

SICHERHEITSWARNUNGEN

Sicherheitswarnungen für Akku-Heckenschneider

1. **Halten Sie alle Körperteile vom Messer fern. Versuchen Sie nicht, abgeschnittenes Material zu entfernen oder zu schneidendes Material zu halten, während die Messer sich bewegen.** Die Messer bewegen sich nach dem Ausschalten des Schalters noch weiter. Ein Augenblick der Unachtsamkeit während der Benutzung der Heckenschere kann zu schweren Personenschäden führen.
2. **Tragen Sie die Heckenschere bei still stehendem Messer am Handgriff, und achten Sie darauf, keinen Ein-Aus-Schalter zu betätigen.** Sachgemäßes Tragen der Heckenschere verringert die Gefahr von versehentlichem Starten und daraus resultierenden Personenschäden durch die Messer.
3. **Bringen Sie beim Transportieren oder Lagern der Heckenschere immer die Messerabdeckung an.** Sachgemäße Handhabung der Heckenschere verringert die Gefahr von Personenschäden durch die Messer.
4. **Vergewissern Sie sich vor dem Beseitigen von eingeklemmtem Material oder dem Warten des Gerätes, dass alle Ein-Aus-Schalter ausgeschaltet sind und der Akku abgenommen oder abgetrennt ist.** Unerwartete Betätigung der Heckenschere beim Beseitigen von eingeklemmtem Material oder Warten kann zu schweren Personenschäden führen.
5. **Halten Sie den Heckenschneider nur an den isolierten Griffflächen, wenn die Gefahr besteht, dass das Messer verborgene Kabel kontaktiert.** Bei Kontakt der Messer mit einem Strom führenden Kabel können die freiliegenden Metallteile der Heckenschere ebenfalls Strom führend werden, so dass der Benutzer einen elektrischen Schlag erleiden kann.
6. **Halten Sie alle Netzkabel und Kabel vom Schneidbereich fern.** Netzkabel oder Kabel können in Hecken oder Büschen verborgen sein und versehentlich durch das Messer abgeschnitten werden.
7. **Benutzen Sie die Heckenschere nicht bei schlechten Witterungsverhältnissen, besonders bei Blitzschlaggefahr.** Dadurch wird die Blitzschlaggefahr verringert.
8. **Um die Stromschlaggefahr zu verringern, benutzen Sie die Stabheckenschere niemals in der Nähe von Starkstromleitungen.** Bei Kontakt mit oder Benutzung in der Nähe von Starkstromleitungen besteht die Gefahr einer schweren Verletzung oder eines elektrischen Schlags, die zum Tod führen können.
9. **Halten Sie die Stabheckenschere während des Betriebs immer mit zwei Händen.** Halten Sie die Stabheckenschere mit beiden Händen, um Verlust der Kontrolle zu vermeiden.
10. **Tragen Sie stets einen Kopfschutz, wenn Sie die Stabheckenschere über Kopf betreiben.** Herunterfallende Fremdkörper können zu schweren Personenschäden führen.

Zusätzliche Sicherheitsanweisungen

Vorbereitung

1. **DIESE HECKENSCHERE KANN SCHWERE VERLETZUNGEN VERURSACHEN.** Lesen Sie die Anweisungen sorgfältig durch, um mehr über korrekte Handhabung, Vorbereitung, Wartung, Starten und Stoppen des Werkzeugs zu erfahren. Machen Sie sich mit allen Bedienelementen und dem korrekten Gebrauch des Werkzeugs vertraut.
2. **Überprüfen Sie die Hecken und Büsche auf Fremdkörper, wie z. B. Drahtzäune oder verborgene Kabel, bevor Sie das Werkzeug betreiben.**
3. **Die Heckenschere darf nicht von Kindern oder Jugendlichen unter 18 Jahren benutzt werden.** Jugendliche über 16 Jahre können von dieser Einschränkung ausgenommen werden, wenn sie eine Schulung unter der Aufsicht eines Fachmanns durchmachen.
4. **Schalten Sie das Werkzeug in einem Notfall sofort aus, und entfernen Sie den Akku.**
5. **GEFAHR - Halten Sie Ihre Hände vom Messer fern.** Kontakt mit dem Messer führt zu ernsthaften Personenschäden.
6. **Anfänger sollten sich von einem erfahrenen Benutzer im Gebrauch des Werkzeugs unterweisen lassen.**
7. **Untersuchen Sie den Arbeitsbereich vor Arbeitsbeginn auf Drahtzäune, Steine oder andere feste Objekte.** Diese können eine Beschädigung der Messer verursachen.
8. **Benutzen Sie die Heckenschere nur, wenn Sie sich in guter körperlicher Verfassung befinden.** Ermüdung führt zu verminderter Aufmerksamkeit. Besonders hohe Aufmerksamkeit ist am Ende eines Arbeitstages erforderlich. Führen Sie alle Arbeiten ruhig und sorgfältig durch. Der Benutzer ist für alle Schäden an Dritten verantwortlich.
9. **Bevor Sie mit der Arbeit beginnen, vergewissern Sie sich, dass die Schere in gutem und sicherem Arbeitszustand ist.** Vergewissern Sie sich, dass Schutzhauben ordnungsgemäß angebracht sind. Die Heckenschere darf nur in vollständig montiertem Zustand benutzt werden.
10. **Vermeiden Sie gefährliche Umgebungen.** Benutzen Sie das Werkzeug nicht an feuchten oder nassen Orten, und setzen Sie es auch keinem Regen aus. Wasser, das in das Werkzeug eindringt, erhöht die Stromschlaggefahr.

Persönliche Schutzausrüstung

1. **Arbeitshandschuhe aus robustem Leder sind Teil der Grundausrüstung der Heckenschere und müssen bei der Arbeit immer getragen werden.** Tragen Sie auch robuste Schuhe mit rutschfesten Sohlen.
2. **Tragen Sie einen Gehörschutz, wie z. B. Ohrschützer, um eine Gehörschädigung zu verhindern.**
3. **Tragen Sie eine Schutzbrille, einen Schutzhelm und Schutzhandschuhe, um sich vor zersplitterndem Unrat oder fallenden Gegenständen zu schützen.**

4. **Tragen Sie Schutzhandschuhe, wenn Sie die Messer berühren oder den Messerwinkel einstellen müssen.** Die Messer können schwere Verletzungen an bloßen Händen verursachen.

Betrieb

1. **Benutzen Sie stets beide Hände zum Betätigen des Werkzeugs.** Betrieb mit nur einer Hand könnte einen Verlust der Kontrolle verursachen und zu schweren Personenschäden führen.
2. **Vergewissern Sie sich während des Betriebs des Werkzeugs stets, dass die Betriebsposition sicher ist. Strecken Sie sich mit dem Werkzeug, besonders auf einer Leiter, nicht zu weit vor, da dies äußerst gefährlich ist. Arbeiten Sie nicht auf einer wackligen oder instabilen Unterlage.**
3. **Tragen Sie beim Arbeiten mit dem Werkzeug nicht mehrere Tragegurte und/oder Schultergurte gleichzeitig.**
4. **Halten Sie Umstehende oder Tiere während der Arbeit mindestens 15 m vom Werkzeug entfernt. Halten Sie das Werkzeug an, sobald jemand sich nähert.**
5. **Falls das Schneidwerkzeug auf ein Objekt trifft oder das Werkzeug ungewöhnliche Geräusche oder Vibrationen erzeugt, schalten Sie das Werkzeug sofort aus, nehmen Sie den Akku ab, und lassen Sie das Werkzeug zum Stillstand kommen. Gehen Sie dann folgendermaßen vor:**
 - auf Beschädigung überprüfen
 - prüfen, ob lose Teile vorhanden sind, und diese festziehen
 - beschädigte Teile durch Original-Ersatzteile ersetzen oder reparieren lassen.
6. **Benutzen Sie das Werkzeug nur für seinen vorgesehenen Zweck. Benutzen Sie das Werkzeug nicht für andere Zwecke.**
7. **Schalten Sie das Werkzeug aus, und nehmen Sie den Akku ab, bevor Sie:**
 - das Werkzeug reinigen oder eine Blockierung beseitigen,
 - Überprüfungen, Wartungsarbeiten oder sonstige Arbeiten am Werkzeug ausführen,
 - die Arbeitsposition der Schermesser einstellen,
 - das Werkzeug unbeaufsichtigt lassen.
8. **Stellen Sie vor dem Starten des Werkzeugs sicher, dass sich das Werkzeug korrekt in einer bestimmten Arbeitsposition befindet.**
9. **Betreiben Sie das Werkzeug nicht mit beschädigten oder übermäßig abgenutzten Schermessern.**
10. **Beachten Sie stets Ihre Umgebung, und bleiben Sie wachsam für mögliche Gefahren, deren Sie sich aufgrund des Geräuschs des Werkzeugs möglicherweise nicht bewusst sind.**
11. **Lassen Sie während des Betriebs Vorsicht walten, damit die Messer nicht versehentlich einen Metallzaun oder andere harte Gegenstände berühren.** Anderenfalls können die Messer brechen und schwere Verletzungen verursachen.

12. **Vermeiden Sie unbeabsichtigtes Einschalten. Tragen Sie das Werkzeug nicht bei angebrachtem Akku und mit dem Finger am Schalter. Vergewissern Sie sich beim Anbringen des Akkus, dass der Schalter ausgeschaltet ist.**
13. **Fassen Sie nicht die freiliegenden Schneidmesser oder die Schneidkanten an, wenn Sie das Werkzeug aufheben oder halten.**
14. **Üben Sie keinen übermäßigen Druck auf das Werkzeug aus.** Bei der Belastung, für die es ausgelegt wurde, verrichtet das Werkzeug die Arbeit besser und mit geringerer Wahrscheinlichkeit von Verletzungsgefahr.
15. **Benutzen Sie das Werkzeug nicht bei Regen oder unter nassen oder sehr feuchten Bedingungen.** Der Elektromotor ist nicht wasserdicht.
16. **Halten Sie das Werkzeug während der Benutzung mit festem Griff.**
17. **Lassen Sie das Werkzeug nicht unnötig im Leerlauf laufen.**
18. **Schalten Sie stets das Werkzeug aus, und nehmen Sie den Akku ab, bevor Sie die Schermesser überprüfen, Fehler beheben oder zwischen den Schermessern eingeklemmte Fremdkörper entfernen.**
19. **Richten Sie die Schermesser niemals auf sich selbst oder andere Personen.**
20. **Falls die Messer stehen bleiben, weil sich Fremdkörper während des Betriebs zwischen den Messern verfangen haben, schalten Sie das Werkzeug aus, nehmen Sie den Akku ab, und beseitigen Sie dann die Fremdkörper mithilfe von Werkzeugen, wie z. B. einer Zange.** Beseitigen der Fremdkörper von Hand kann zu einer Verletzung führen, da sich die Messer als Reaktion auf die Beseitigung der Fremdkörper bewegen können.
21. **Achten Sie beim Anbringen oder Abnehmen der Messerabdeckung darauf, dass Sie sich nicht die Hände verletzen.**

Sicherheit der Elektrik und des Akkus

1. **Vermeiden Sie gefährliche Umgebungen. Benutzen Sie das Werkzeug nicht an feuchten oder nassen Orten, und setzen Sie es auch keinem Regen aus.** Wasser, das in das Werkzeug eindringt, erhöht die Stromschlaggefahr.
2. **Werfen Sie den (die) Akku(s) nicht ins Feuer.** Die Zelle könnte explodieren. Prüfen Sie die örtlichen Vorschriften für mögliche spezielle Entsorgungsanweisungen.
3. **Versuchen Sie nicht, den (die) Akku(s) zu öffnen oder zu verstümmeln.** Freigesetzter Elektrolyt ist korrosiv und kann Schäden an Augen oder Haut verursachen. Falls er verschluckt wird, kann er giftig sein.
4. **Laden Sie den Akku nicht im Regen oder an nassen Orten.**
5. **Laden Sie den Akku nicht im Freien.**
6. **Fassen Sie das Ladegerät, einschließlich des Ladegerätesteckers und der Ladegeräteanschlüsse, nicht mit nassen Händen an.**

Wartung und Lagerung

1. Wenn das Werkzeug für Wartung, Inspektion oder Lagerung gestoppt ist, schalten Sie das Werkzeug aus, nehmen Sie den Akku ab, und vergewissern Sie sich, dass alle beweglichen Teile zum Stillstand gekommen sind. Lassen Sie das Werkzeug abkühlen, bevor Sie Überprüfungen, Einstellungen usw. vornehmen.
2. Lassen Sie das Werkzeug vor der Lagerung stets abkühlen.
3. Wenn das Werkzeug nicht in Gebrauch ist, bringen Sie die Messerabdeckung am Werkzeug an, und lagern Sie das Werkzeug in einem Innenraum an einem trockenen und hohen verriegelten Ort außerhalb der Reichweite von Kindern.
4. Halten Sie das Werkzeug sorgfältig instand. Halten Sie die Schneidkanten scharf und sauber für optimale Leistung, und um die Verletzungsgefahr zu verringern. Befolgen Sie die Anweisungen für die Schmierung und den Austausch von Zubehör. Halten Sie die Handgriffe trocken, sauber und frei von Öl und Fett.
5. Auf beschädigte Teile überprüfen. Bevor Sie das Werkzeug weiter benutzen, sollten Sie beschädigte Teile sorgfältig auf ihre Betriebsfähigkeit und Funktionstüchtigkeit hin überprüfen. Überprüfen Sie das Werkzeug auf Ausrichtung und Klemmen beweglicher Teile, Bruchstellen, Befestigungszustand und sonstige Mängel von Teilen, die seinen Betrieb beeinträchtigen können. Beschädigte Schutzvorrichtungen oder Teile sollten von einem autorisierten Service-Center ordnungsgemäß repariert oder ausgewechselt werden.
6. Verwenden Sie nur Original-Ersatzteile.
7. Wenn Sie das Werkzeug zu einem anderen Ort transportieren, auch während der Arbeit, nehmen Sie immer den Akku ab, und setzen Sie die Messerabdeckung auf die Schermesser. Tragen oder transportieren Sie das Werkzeug niemals mit laufenden Messern. Ergreifen Sie die Messer niemals mit Ihren Händen.
8. Reinigen Sie das Werkzeug und insbesondere die Schermesser nach jedem Gebrauch und vor längerer Lagerung des Werkzeugs. Ölen Sie die Schermesser leicht ein, und bringen Sie die Messerabdeckung an.
9. Werfen Sie den (die) Akku(s) nicht ins Feuer. Die Zelle könnte explodieren. Prüfen Sie die örtlichen Vorschriften für mögliche spezielle Entsorgungsanweisungen.
10. Versuchen Sie nicht, den (die) Akku(s) zu öffnen oder zu verstümmeln. Freigesetzter Elektrolyt ist korrosiv und kann Schäden an Augen oder Haut verursachen. Falls er verschluckt wird, kann er giftig sein.
11. Laden Sie den Akku nicht im Regen oder an nassen Orten.

DIESE ANWEISUNGEN AUFBEWAHREN.

⚠️ WARNUNG: Lassen Sie sich NICHT durch Bequemlichkeit oder Vertrautheit mit dem Produkt (durch wiederholten Gebrauch erworben) von der strikten Einhaltung der Sicherheitsregeln für das vorliegende Produkt abhalten. MISSBRAUCH oder Missachtung der Sicherheitsvorschriften in dieser Anleitung können schwere Verletzungen verursachen.

BEZEICHNUNG DER TEILE

- Abb.1: 1. Messerabdeckung 2. Winklereinstellhebel
3. Kappe 4. Schermesser 5. Schiebehebel
6. Vorderer Handgriff

MONTAGE

⚠️ WARNUNG: Bevor Sie das Gerät zusammenbauen oder einstellen, stellen Sie den Motor ab, und entfernen Sie den Akku. Anderenfalls kann die Maschine ungewollt starten und Verletzungen verursachen.

⚠️ WARNUNG: Legen Sie das Gerät zum Zusammenbauen oder Einstellen immer hin. Wird das Gerät in aufrechter Stellung zusammengebaut oder eingestellt, kann es zu schweren Verletzungen kommen.

⚠️ WARNUNG: Befolgen Sie die Warnungen und Vorsichtsmaßnahmen im Kapitel „SICHERHEITSWARNUNGEN“ und in der Gebrauchsanleitung des Antriebsaggregats.

Montieren des Aufsatzes

1. Entfernen Sie die Kappe vom Aufsatz.
► Abb.2: 1. Kappe
2. Führen Sie das Rohr so in den Aufsatz ein, dass das Loch am Rohr mit der Bohrung am Aufsatz fluchtet. Ziehen Sie zuerst die kurze Schraube sicher an, und ziehen Sie dann die lange Schraube an, um das Rohr zu befestigen.
► Abb.3: 1. Bohrung 2. Rohr 3. Schraube (kurz)
4. Schraube (lang)

HINWEIS: Ziehen Sie die Schrauben mit einem Anzugsmoment von 4,0 - 6,0 N·m an.

Montieren des Zubehörrohrs

⚠️ VORSICHT: Prüfen Sie nach der Installation stets nach, ob das Zubehörrohr gesichert ist. Falsche Installation kann dazu führen, dass sich der Aufsatz vom Antriebsaggregat löst und Personenschäden verursacht.

Montieren Sie das Zubehörrohr am Antriebsaggregat.

1. Entfernen Sie die Kappe vom Ende des Rohrs.
▶ **Abb.4:** 1. Rohr 2. Kappe

ANMERKUNG: Werfen Sie die Kappe nicht weg, da sie für die Lagerung des Aufsatzes notwendig ist.

2. Schwenken Sie den Hebel in Richtung des Aufsatzes.

▶ **Abb.5:** 1. Hebel

3. Richten Sie den Stift auf die Pfeilmarkierung am Antriebsaggregat aus. Führen Sie das Rohr ein, bis der Entriegelungsknopf hoch springt.

Vergewissern Sie sich, dass sich die Positionslinie an der Spitze der Pfeilmarkierung am Antriebsaggregat befindet, und dass die Pfeilmarkierung am Antriebsaggregat und die Pfeilmarkierung am Rohr einander zugewandt sind.

- ▶ **Abb.6:** 1. Entriegelungsknopf 2. Pfeilmarkierung am Antriebsaggregat 3. Stift 4. Positionslinie 5. Pfeilmarkierung am Rohr

4. Schwenken Sie den Hebel in Richtung des Antriebsaggregats.

▶ **Abb.7:** 1. Hebel

Vergewissern Sie sich, dass die Oberfläche des Hebels parallel zum Rohr ist.

ANMERKUNG: Ziehen Sie den Hebel nicht an, ohne dass das Zubehörrohr eingeführt ist. Anderenfalls kann der Hebel den Eingang der Antriebswelle zu sehr verengen und ihn beschädigen.

Zum Entfernen des Rohrs schwenken Sie den Hebel in Richtung des Aufsatzes, und ziehen Sie das Rohr heraus, während Sie den Entriegelungsknopf niederdrücken.

- ▶ **Abb.8:** 1. Entriegelungsknopf 2. Hebel 3. Rohr

Montieren oder Demontieren der Schermesser

⚠ VORSICHT: Tragen Sie beim Austauschen der Schermesser immer Handschuhe, damit Ihre Hände nicht in direkten Kontakt mit den Messern kommen.

⚠ VORSICHT: Bringen Sie die Messerabdeckung an, bevor Sie die Schermesser demontieren oder montieren.

ANMERKUNG: Wischen Sie beim Auswechseln der Schermesser kein Schmierfett von der Kurbel ab.

HINWEIS: Bevor Sie die Schermesser installieren oder entfernen, klappen Sie den Aufsatz aus, so dass er gerade zum Rohr steht.

1. Bringen Sie die Messerabdeckung an den Schermessern an.

▶ **Abb.9:** 1. Messerabdeckung

2. Stellen Sie den Aufsatz auf den Kopf.

3. Entfernen Sie 4 Schrauben mit dem Inbusschlüssel, und nehmen Sie die Abdeckung und die Platte (groß) ab.

▶ **Abb.10:** 1. Schraube 2. Abdeckung 3. Platte (groß)

4. Drehen Sie die Kurbel mit dem Schlitzschraubendreher so, dass die Kurbel in der in der Abbildung gezeigten Richtung positioniert ist.

▶ **Abb.11:** 1. Kurbel

5. Entfernen Sie 2 Schrauben.

▶ **Abb.12:** 1. Schraube

6. Entfernen Sie das Filzkissen (kurz), das Filzkissen (lang), die Platte (klein) und die Hülsen.

▶ **Abb.13:** 1. Filzkissen (kurz) 2. Filzkissen (lang) 3. Platte (klein) 4. Hülse

7. Entfernen Sie die Schermesser vom Aufsatz.

▶ **Abb.14**

8. Entfernen Sie die Messerabdeckung, und befestigen Sie sie dann an den neuen Schermessern.

9. Nehmen Sie den Staubschutz von den Schermessern ab und bringen Sie ihn in der in der Abbildung gezeigten Position an den neuen Schermessern an.

▶ **Abb.15:** 1. Staubschutz

10. Führen Sie die in Schritt 5 entfernte Schraube durch das Loch in der Messerabdeckung in das Loch der Schermesser ein.

▶ **Abb.16:** 1. Loch 2. Schraube

11. Tragen Sie ein wenig Schmierfett auf den Rand der Kurbel auf. Bringen Sie die Schermesser am Aufsatz an.

▶ **Abb.17**

12. Bringen Sie die Hülsen und die Platte (klein) an den Schermessern an, und ziehen Sie dann die Schraube an.

▶ **Abb.18:** 1. Schraube 2. Platte (klein) 3. Hülse

13. Entfernen Sie die Schraube, die Sie in Schritt 10 in das Loch der Schermesser eingeführt haben, und ziehen Sie dann die Schraube fest, um die Schermesser zu fixieren.

14. Bringen Sie das Filzkissen (kurz) und das Filzkissen (lang) an.

▶ **Abb.19:** 1. Filzkissen (kurz) 2. Filzkissen (lang)

15. Bringen Sie die Platte (groß) und die Abdeckung an, und ziehen Sie dann die 4 Schrauben an.

▶ **Abb.20:** 1. Schraube 2. Abdeckung 3. Platte (groß)

ANMERKUNG: Falls die Schermesser nicht ordnungsgemäß funktionieren, stehen die Messer nicht richtig mit der Kurbel in Eingriff. Entfernen Sie die Messer, und montieren Sie sie wieder.

ANMERKUNG: Falls andere Teile außer den Schermessern, wie z. B. die Kurbel, verschlissen sind, wenden Sie sich für einen Teileaustausch oder Reparaturen an ein autorisiertes Makita-Servicecenter.

FUNKTIONSBESCHREIBUNG

⚠ VORSICHT: Vergewissern Sie sich vor der Durchführung von Einstellungen oder Funktionsprüfungen des Werkzeugs stets, dass das Werkzeug ausgeschaltet und der Akku abgenommen ist.

Einstellen des Schnittwinkels

⚠ VORSICHT: Vergewissern Sie sich immer, dass das Werkzeug ausgeschaltet ist, bevor Sie den Schnittwinkel einstellen.

Der Winkel des Kopfes kann in 13 Stufen eingestellt werden. Um den Winkel des Kopfes zu ändern, befolgen Sie die nachstehenden Schritte.

1. Halten Sie den Winkeleinstellhebel, und stellen Sie dann den Winkel des Kopfes ein, während Sie den Schiebehebel betätigen, und lassen Sie dann den Schiebehebel los.

► **Abb.21:** 1. Schiebehebel 2. Winkeleinstellhebel

2. Bewegen Sie den Kopf geringfügig, bis er mit einem Klicken einrastet.

HINWEIS: Vergewissern Sie sich, dass der Kopf sicher eingerastet ist, bevor Sie das Werkzeug betreiben.

BETRIEB

⚠ WARNUNG: Befolgen Sie die Warnungen und Vorsichtsmaßnahmen im Kapitel „SICHERHEITSWARNUNGEN“ und in der Gebrauchsanleitung des Antriebsaggregats.

Betreiben des Werkzeugs

⚠ WARNUNG: Benutzen Sie das Werkzeug nicht in der Nähe von Starkstromleitungen. Bei Kontakt mit oder Benutzung in der Nähe von Starkstromleitungen besteht die Gefahr einer schweren Verletzung oder eines elektrischen Schlags, die zum Tod führen können.

⚠ WARNUNG: Halten Sie Ihre Hände von den Schermessern fern.

⚠ WARNUNG: Lassen Sie äußerste Sorgfalt walten, um immer die Kontrolle über das Werkzeug zu behalten. Achten Sie darauf, dass das Werkzeug nicht zu Ihnen oder einer anderen Person im Arbeitsbereich abgelenkt wird. Verlust der Kontrolle über das Werkzeug kann zu schweren Verletzungen von Umstehenden und Bediener führen.

⚠ VORSICHT: Vermeiden Sie den Betrieb des Werkzeugs bei sehr heißem Wetter so weit wie praktikabel. Nehmen Sie beim Betreiben des Werkzeugs Rücksicht auf Ihre körperliche Verfassung.

⚠ VORSICHT: Lassen Sie beim Trimmen Vorsicht walten, damit die Messer nicht versehentlich einen Metallzaun oder andere harte Gegenstände berühren. Anderenfalls können die Schermesser brechen und eine Verletzung verursachen.

⚠ VORSICHT: Achten Sie darauf, dass die Schermesser nicht den Boden berühren. Anderenfalls kann das Werkzeug zurückschnellen und eine Verletzung verursachen.

⚠ VORSICHT: Strecken Sie sich beim Schneiden mit einer Heckenschere, besonders auf einer Leiter, nicht zu weit nach vorn, da dies äußerst gefährlich ist. Schneiden Sie nicht, während Sie auf einer wackligen oder instabilen Unterlage stehen.

ANMERKUNG: Versuchen Sie nicht, Äste von mehr als 10 mm Durchmesser mit dem Werkzeug zu schneiden. Schneiden Sie Äste vor Gebrauch dieses Werkzeugs mit Astschneidern auf 10 cm unter der Schnitthöhe.

► **Abb.22:** (1) Schnitthöhe (2) 10 cm

ANMERKUNG: Schneiden Sie keine toten Bäume oder ähnliche harte Objekte um. Dadurch kann das Werkzeug beschädigt werden.

ANMERKUNG: Schneiden Sie kein Gras oder Unkraut, während Sie die Schermesser benutzen. Gras oder Unkraut können sich in den Schermessern verheddern.

Halten Sie das Werkzeug mit beiden Händen, indem Sie den vorderen Handgriff des Antriebsaggregats oder den vorderen Handgriff des Aufsatzes und den hinteren Handgriff des Antriebsaggregats halten.

► **Abb.23:** 1. Vorderer Handgriff 2. Hinterer Handgriff

Betätigen Sie den Auslöseschalter, während Sie den Einschaltsperrhebel drücken, und bewegen Sie dann das Werkzeug vorwärts.

► **Abb.24**

Bei grundlegendem Betrieb neigen Sie die Schermesser in die Schneidrichtung, und bewegen Sie das Werkzeug ruhig und langsam mit einer Vorschubrate von 3 bis 4 Sekunden pro Meter vor.

► **Abb.25**

Um eine gerade Seitenkante einer Hecke zu erhalten, schneiden Sie von unten nach oben.

► **Abb.26**

Wenn Sie eine runde Form schneiden wollen (Trimmen von Buchsbaum oder Rhododendron usw.), trimmen Sie von der Wurzel nach oben, um eine schöne Ausführung zu erhalten.

► **Abb.27**

WARTUNG

⚠️ WARNUNG: Bevor Sie das Gerät überprüfen oder warten, stellen Sie den Motor ab, und entfernen Sie den Akku. Anderenfalls kann die Maschine ungewollt starten und schwere Verletzungen verursachen.

⚠️ WARNUNG: Legen Sie das Gerät immer ab, um es zu überprüfen oder zu warten. Wird das Gerät in aufrechter Stellung zusammengebaut oder eingestellt, kann es zu schweren Verletzungen kommen.

⚠️ WARNUNG: Befolgen Sie die Warnungen und Vorsichtsmaßnahmen im Kapitel „SICHERHEITSWARNUNGEN“ und in der Gebrauchsanleitung des Antriebsaggregats.

⚠️ VORSICHT: Tragen Sie Handschuhe zur Durchführung von Inspektions- oder Wartungsarbeiten.

ANMERKUNG: Verwenden Sie auf keinen Fall Benzin, Waschbenzin, Verdüner, Alkohol oder dergleichen. Solche Mittel können Verfärbung, Verformung oder Rissbildung verursachen.

Um die SICHERHEIT und ZUVERLÄSSIGKEIT dieses Produkts zu gewährleisten, sollten Reparaturen und andere Wartungs- oder Einstellarbeiten nur von Makita-Vertragswerkstätten oder Makita-Kundendienstzentren unter ausschließlicher Verwendung von Makita-Originalersatzteilen ausgeführt werden.

Reinigen des Werkzeugs

Reinigen Sie das Werkzeug, indem Sie es mit einem trockenen oder einem in Seifenwasser getauchten und ausgewringenen Tuch abwischen.

ANMERKUNG: Verwenden Sie auf keinen Fall Benzin, Waschbenzin, Verdüner, Alkohol oder dergleichen. Solche Mittel können Verfärbung, Verformung oder Rissbildung verursachen.

Schermesserwartung

Tragen Sie vor dem Betrieb oder einmal pro Stunde während der Arbeit Öl von niedriger Viskosität (Maschinenöl oder Sprühschmieröl) auf die Schermesser auf.

► Abb.28

Entfernen Sie nach dem Betrieb Staub von beiden Seiten der Schermesser mit einer Drahtbürste, wischen Sie die Schermesser mit einem Tuch ab, und tragen Sie dann Öl von niedriger Viskosität (Maschinenöl oder Sprühschmieröl) auf die Schermesser auf.

► Abb.29

ANMERKUNG: Waschen Sie die Schermesser nicht in Wasser. Dadurch kann Rostbildung gefördert oder eine Beschädigung des Werkzeugs verursacht werden.

ANMERKUNG: Schmutz und Korrosion verursachen übermäßige Messerreibung und verkürzen die Betriebszeit pro Akkuladung.

Lagerung

Bringen Sie die Messerabdeckung an den Schermessern an, damit die Messer nicht ungeschützt sind. Lagern Sie das Werkzeug außer Reichweite von Kindern. Lagern Sie das Werkzeug an einem Ort, der weder Feuchtigkeit noch Regen ausgesetzt ist. Wenn Sie den Aufsatz getrennt vom Antriebsaggregat lagern, setzen Sie die Kappe auf das Ende des Rohrs.

► Abb.30

Schmieren der beweglichen Teile

ANMERKUNG: Befolgen Sie die Anweisung zu Häufigkeit der Schmierung und der zugeführten Schmierfettmenge. Anderenfalls kann unzureichende Schmierung zu einer Beschädigung der beweglichen Teile führen.

Antriebsachse:

Tragen Sie Schmierfett (Makita-Schmierfett N No.2 oder gleichwertiges) alle 30 Betriebsstunden auf.

► Abb.31

HINWEIS: Original-Makita-Schmierfett erhalten Sie bei Ihrem Makita-Händler.

Fettschmierung

Schmierintervall: Alle 25 Betriebsstunden

1. Entfernen Sie die Schraube zum Schmieren aus der Bohrung.

► Abb.32: 1. Schraube

2. Entfernen Sie die Kappe von der Fetttube. Richten Sie den Auslass der Fetttube auf das Loch in der Abdeckung aus, und drehen Sie dann die Fetttube, um den Auslass der Fetttube in das Loch zu stecken.

► Abb.33: 1. Fetttube 2. Loch

3. Füllen Sie das Fett in das Werkzeug ein (ca. 3 g als Richtlinie).

4. Entfernen Sie die Fetttube.

5. Ziehen Sie die Schraube an.

Schleifen der Schermesser

ANMERKUNG: Falls die Schermesser durch Schleifen beträchtlich verformt sind, ersetzen Sie die Schermesser durch neue.

1. Bringen Sie den Akku am Werkzeug an.

2. Schalten Sie das Werkzeug ein, und starten Sie es, so dass jeweils ein Obermesser und ein Untermesser abwechselnd positioniert sind.

► Abb.34

3. Schalten Sie das Werkzeug aus, und nehmen Sie den Akku vom Werkzeug ab.

4. Setzen Sie eine Feile in einem Winkel von 45° an, und schleifen Sie das Obermesser aus 3 Richtungen mit der Feile.

► Abb.35: (1) Feile (2) 45°

⚠ VORSICHT: Bevor Sie die Schermesser schleifen, vergewissern Sie sich, dass das Werkzeug ausgeschaltet und der Akku vom Werkzeug abgenommen ist.

5. Legen Sie das Werkzeug umgedreht ab, und entfernen Sie dann die Grate mit dem Abziehstein von den Schermessern.

► **Abb.36:** 1. Abziehstein

6. Setzen Sie die Feile in einem Winkel von 45° an, und schleifen Sie das Untermesser aus 3 Richtungen mit der Feile.

7. Bringen Sie das Werkzeug wieder in die Normalposition, und entfernen Sie dann die Grate mit dem Abziehstein von den Schermessern.

FEHLERSUCHE

Bevor Sie den Reparaturdienst anrufen, führen Sie zunächst Ihre eigene Inspektion durch. Falls Sie ein Problem finden, das nicht in der Anleitung erläutert wird, versuchen Sie nicht, das Werkzeug zu zerlegen. Wenden Sie sich stattdessen an autorisierte Makita-Kundendienstzentren, und achten Sie darauf, dass stets Makita-Ersatzteile für Reparaturen verwendet werden.

Zustand der Unregelmäßigkeit	Wahrscheinliche Ursache (Funktionsstörung)	Abhilfemaßnahme
Der Motor läuft nicht an.	-	In der Gebrauchsanleitung des Antriebsaggregats nachschlagen.
Der Motor bleibt sofort wieder stehen.	-	In der Gebrauchsanleitung des Antriebsaggregats nachschlagen.
Die Motordrehzahl nimmt nicht zu.	-	In der Gebrauchsanleitung des Antriebsaggregats nachschlagen.
Die Schermesser bewegen sich nicht: ⇒ Die Maschine unverzüglich stoppen!	Fremdkörper sind zwischen den Schermessern eingeklemmt.	Schalten Sie das Werkzeug aus, nehmen Sie den Akku ab, und beseitigen Sie dann die Fremdkörper mithilfe von Werkzeugen, wie z. B. einer Zange.
	Das Antriebssystem funktioniert nicht korrekt.	Wenden Sie sich bezüglich einer Reparatur an Ihr autorisiertes Kundendienstzentrum.
Ungewöhnliche Vibration: ⇒ Die Maschine unverzüglich stoppen!	Die Schermesser sind beschädigt, verbogen oder abgenutzt.	Tauschen Sie die Schermesser aus.
	Das Antriebssystem funktioniert nicht korrekt.	Wenden Sie sich bezüglich einer Reparatur an Ihr autorisiertes Kundendienstzentrum.
Schermesser und Motor bleiben nicht stehen: ⇒ Den Akku unverzüglich entfernen!	Elektrische Funktionsstörung.	Entfernen Sie den Akku, und wenden Sie sich bezüglich einer Reparatur an Ihr autorisiertes Kundendienstzentrum.

SONDERZUBEHÖR

⚠ VORSICHT: Die folgenden Zubehörteile oder Vorrichtungen werden für den Einsatz mit der in dieser Anleitung beschriebenen Makita-Maschine empfohlen. Die Verwendung anderer Zubehörteile oder Vorrichtungen kann eine Verletzungsgefahr darstellen. Verwenden Sie Zubehörteile oder Vorrichtungen nur für ihren vorgesehenen Zweck.

Wenn Sie weitere Einzelheiten bezüglich dieser Zubehörteile benötigen, wenden Sie sich bitte an Ihre Makita-Kundendienststelle.

- Schermessereinheit
- Fetttube
- Original-Makita-Akku und -Ladegerät

HINWEIS: Manche Teile in der Liste können als Standardzubehör im Produktpaket enthalten sein. Sie können von Land zu Land unterschiedlich sein.

DATI TECNICI

Modello:	EN402MP
Lunghezza della lama	500 mm
Lunghezza complessiva	1444 mm
Peso netto	2,4 kg

- In conseguenza del nostro programma di ricerca e sviluppo continui, i dati tecnici nel presente manuale sono soggetti a modifiche senza preavviso.
- I dati tecnici possono variare da nazione a nazione.

Unità motore approvata

Questo accessorio è approvato per l'uso solo con l'unità o le unità motore seguenti:

- Testa motorizzata multifunzione a batteria DUX60
- Testa motorizzata multifunzione a batteria DUX18
- Testa motorizzata multifunzione a batteria UX01G

⚠AVVERTIMENTO: Non utilizzare mai l'accessorio con un'unità motore non approvata. Una combinazione non approvata potrebbe causare gravi lesioni personali.

Simboli

Le figure seguenti mostrano i simboli utilizzati per l'apparecchio. Accertarsi di comprenderne il significato prima dell'uso.

	Leggere e seguire il manuale d'uso.
	PERICOLO: tenere le mani lontane dalla lama.
	Fare attenzione alle linee elettriche. Rischio di scossa elettrica.
	Indossare elmetto di protezione, protezioni per gli occhi e per le orecchie.
	Indossare guanti protettivi.
	Indossare calzature robuste con soles antiscivolo.
	Mantenere astanti e animali a una distanza di almeno 15 m dall'utensile elettrico.
	Mantenere l'area di utilizzo libera da qualsiasi persona e animale.



Livello di potenza sonora garantita in base alla Direttiva rumore macchine all'aperto UE.



Livello di potenza sonora in base alla normativa sul controllo del rumore NSW australiana

Utilizzo previsto

Questo accessorio è progettato esclusivamente allo scopo di tagliare siepi in combinazione con un'unità motore approvata. Non utilizzare mai l'accessorio per altri scopi. Un utilizzo improprio dell'accessorio potrebbe causare gravi lesioni personali.

Dichiarazione di conformità CE

Solo per i paesi europei

In qualità di fabbricante, **Makita Europe N.V.**, con indirizzo aziendale **Jan-Baptist Vinkstraat 2 3070 Kortenberg BELGIO**, autorizza **Hiroshi Tsujimura** alla compilazione della documentazione tecnica e dichiara, sotto la propria ed esclusiva responsabilità, che il prodotto o i prodotti con designazione **Accessorio taglia siepi**, con designazione del tipo o dei tipi **EN402MP**, sono conformi a tutte le disposizioni rilevanti della normativa **2006/42/CE** e che sono, inoltre, conformi a tutte le disposizioni rilevanti delle Direttive CE/UE seguenti: **2000/14/CE** e che sono fabbricati in conformità agli Standard Armonizzati seguenti: **EN62841-1:2015**, **EN 62841-4-2:2019**, **EN ISO 11806-1:2011**.
Luogo e data della dichiarazione: **Kortenberg, Belgio. 20. 12. 2022**
Persona responsabile: **Hiroshi Tsujimura, Direttore - Makita Europe N.V.**



AVVERTENZE DI SICUREZZA

Avvertenze di sicurezza relative al tagliasiepi telescopico a batteria

- 1. Tenere tutte le parti del corpo lontane dalla lama. Non rimuovere il materiale tagliato né tenere in mano il materiale da tagliare quando le lame sono in movimento.** Le lame continuano a muoversi dopo la disattivazione dell'interruttore. Un momento di disattenzione durante il funzionamento del tagliasiepi potrebbe risultare in gravi lesioni personali.
- 2. Trasportare il tagliasiepi tenendolo per la maniglia, con la lama arrestata, e fare attenzione a non attivare alcun interruttore di accensione.** Il trasporto corretto del tagliasiepi riduce il rischio di avvii accidentali e delle relative lesioni personali causate dalle lame.
- 3. Quando si intende trasportare o riporre il tagliasiepi, applicare sempre il coprilama.** Se si maneggia correttamente il tagliasiepi, si riduce il rischio di lesioni personali causate dalle lame.
- 4. Quando si intende rimuovere materiale inceppato o sottoporre ad assistenza l'unità, accertarsi che tutti gli interruttori di accensione siano disattivati e che la cartuccia della batteria sia stata rimossa o scollegata.** L'azionamento imprevisto del tagliasiepi mentre si rimuove materiale inceppato o si esegue un intervento di assistenza potrebbe risultare in gravi lesioni personali.
- 5. Mantenere il tagliasiepi solo mediante le superfici di impugnatura isolate, poiché la lama potrebbe entrare in contatto con cablaggi nascosti.** Qualora le lame entrino in contatto con un filo elettrico sotto tensione, potrebbero mettere sotto tensione le parti metalliche esposte del tagliasiepi e dare una scossa elettrica all'operatore.
- 6. Tenere tutti i cavi elettrici e di altro genere lontani dall'area di taglio.** Cavi elettrici o di altro genere potrebbero essere nascosti nelle siepi o nei cespugli, e possono venire tagliati accidentalmente dalla lama.
- 7. Non utilizzare il tagliasiepi in condizioni meteorologiche avverse, specialmente quando sussiste il rischio di fulmini.** In tal modo si riduce il rischio di venire colpiti da un fulmine.
- 8. Per ridurre il rischio di folgorazione, non utilizzare mai il tagliasiepi telescopico in prossimità di linee elettriche di qualsiasi tipo.** Il contatto con linee elettriche o l'utilizzo in prossimità di queste ultime potrebbe causare gravi lesioni personali o scosse elettriche che potrebbero portare alla morte.
- 9. Utilizzare sempre due mani quando si fa funzionare il tagliasiepi telescopico.** Mantenere il tagliasiepi telescopico con entrambe le mani, per evitare la perdita di controllo.
- 10. Utilizzare sempre una protezione per la testa, quando si intende utilizzare il tagliasiepi telescopico al di sopra della propria testa.** I detriti che cadono potrebbero causare gravi lesioni personali.

Istruzioni di sicurezza aggiuntive

Preparazione

- 1. QUESTO TAGLIASIEPI PUÒ CAUSARE GRAVI LESIONI PERSONALI.** Leggere con attenzione le istruzioni per maneggiare, preparare, sottoporre a manutenzione, avviare e arrestare correttamente l'utensile. Familiarizzare con tutti i controlli e con l'utilizzo corretto dell'utensile.
- 2. Prima di utilizzare l'utensile, verificare l'eventuale presenza di corpi estranei nelle siepi e nei cespugli, ad esempio recinzioni in fil di ferro o cablaggi nascosti.**
- 3. Il tagliasiepi non deve essere utilizzato da bambini o giovani al di sotto dei 18 anni di età.** I giovani di età superiore ai 16 anni possono venire esentati da questa restrizione se stanno seguendo un addestramento sotto la supervisione di un esperto.
- 4. In caso di emergenza, spegnere l'utensile e rimuovere la cartuccia della batteria immediatamente.**
- 5. PERICOLO - Tenere le mani lontane dalla lama.** Il contatto con la lama causa gravi lesioni personali.
- 6. Chi utilizza il prodotto per la prima volta dovrebbe farsi mostrare da un utente esperto come utilizzare l'utensile.**
- 7. Prima dell'uso, esaminare l'eventuale presenza nell'area di lavoro di recinzioni metalliche, pietre o altri oggetti solidi.** Tali oggetti possono danneggiare le lame.
- 8. Utilizzare il tagliasiepi solo se si è in buone condizioni fisiche.** In condizioni di stanchezza, il livello di attenzione si riduce. Fare particolarmente attenzione alla fine di una giornata di lavoro. Effettuare tutti i lavori con calma e con attenzione. L'utente è responsabile per qualsiasi danno arrecato a terzi.
- 9. Prima di iniziare il lavoro, accertarsi che il tagliasiepi sia in condizioni operative ottimali e sicure. Accertarsi che le protezioni siano applicate correttamente.** Il tagliasiepi non va utilizzato se non è stato montato completamente.
- 10. Evitare gli ambienti pericolosi. Non utilizzare l'utensile in luoghi umidi o bagnati né esporlo alla pioggia.** La penetrazione di acqua nell'utensile incrementa il rischio di scosse elettriche.

Attrezzatura di protezione personale

- 1. I guanti da lavoro in pelle robusta fanno parte dell'equipaggiamento di base del tagliasiepi, e devono essere sempre indossati quando si lavora con quest'ultimo. Indossare anche scarpe robuste con soles antiscivolo.**
- 2. Indossare protezioni per l'udito, ad esempio cuffie antirumore, per evitare perdite dell'udito.**
- 3. Indossare occhiali protettivi, un casco di sicurezza e guanti protettivi per proteggersi da detriti volanti oppure oggetti che cadano.**
- 4. Quando si intende toccare le lame o regolarne l'angolazione, indossare guanti protettivi.** Le lame possono tagliare gravemente le mani nude.

Funzionamento

1. **Utilizzare sempre due mani per far funzionare l'utensile.** L'utilizzo di una sola mano potrebbe causare la perdita di controllo e risultare in gravi lesioni personali.
2. **Prima di utilizzare l'utensile, accertarsi sempre che la posizione di utilizzo sia sicura e salda.** È estremamente pericoloso sporgersi con l'utensile, specialmente da una scala a pioli. Non lavorare da alcuna superficie traballante o malferma.
3. **Non indossare contemporaneamente più imbracature e/o tracolle quando si utilizza l'utensile.**
4. **Durante l'uso, tenere astanti o animali a una distanza di almeno 15 m dall'utensile.** Arrestare l'utensile non appena si avvicina qualcuno.
5. **Qualora l'utensile da taglio colpisca un qualsiasi oggetto oppure l'utensile inizi a produrre rumori o vibrazioni insoliti, spegnere l'utensile e rimuovere la cartuccia della batteria immediatamente, e lasciar arrestare l'utensile.** Quindi, attenersi alla procedura seguente:
 - ispezionarlo alla ricerca di eventuali danni
 - controllare e serrare eventuali parti allentate
 - far sostituire o riparare eventuali parti danneggiate con pezzi di ricambio originali.
6. **Utilizzare l'utensile esclusivamente allo scopo a cui è destinato.** Non utilizzare l'utensile per altri scopi di alcun genere.
7. **Spegnere l'utensile e rimuovere la cartuccia della batteria prima di:**
 - eseguire la pulizia o rimuovere un'ostruzione,
 - controllare l'utensile, eseguirne la manutenzione o lavorare sull'utensile,
 - regolare la posizione di lavoro delle lame a cesoie,
 - lasciare l'utensile incustodito.
8. **Prima di avviare l'utensile, accertarsi che quest'ultimo sia situato correttamente in una posizione di lavoro designata.**
9. **Non utilizzare l'utensile con lame a cesoie danneggiate o eccessivamente usurate.**
10. **Fare sempre attenzione all'ambiente circostante, e restare vigili per eventuali pericoli di cui si potrebbe non essere consapevoli, a causa del rumore prodotto dall'utensile.**
11. **Fare attenzione a non entrare in contatto accidentalmente con una recinzione in metallo o con altri oggetti duri durante l'uso.** In caso contrario, le lame si romperebbero e potrebbero causare gravi lesioni personali.
12. **Evitare l'avvio accidentale.** Non trasportare l'utensile quando la cartuccia della batteria è installata e con il dito appoggiato sull'interruttore. Quando si intende installare la cartuccia della batteria, accertarsi che l'interruttore sia disattivato.
13. **Non afferrare le lame da taglio né i taglianti esposti, quando si intende sollevare o mantenere l'utensile.**
14. **Non forzare l'utensile.** L'utensile consente di svolgere il lavoro in modo migliore e con una minore probabilità del rischio di lesioni personali, se si mantiene la velocità per la quale è stato progettato.
15. **Non utilizzare l'utensile sotto la pioggia o in condizioni di bagnato o di estrema umidità.** Il motore elettrico non è impermeabile.
16. **Mantenere saldamente l'utensile quando lo si utilizza.**
17. **Non far funzionare l'utensile a vuoto inutilmente.**
18. **Prima di controllare le lame a cesoie, occuparsi di guasti o rimuovere corpi estranei incastrati nelle lame a cesoie, spegnere sempre l'utensile e rimuovere la cartuccia della batteria.**
19. **Non puntare mai le lame a cesoie verso se stessi o altri.**
20. **Qualora le lame smettano di muoversi a causa di corpi estranei incastrati tra le lame durante l'uso, spegnere l'utensile e rimuovere la cartuccia della batteria, quindi rimuovere i corpi estranei utilizzando degli utensili, ad esempio delle pinze.** La rimozione dei corpi estranei con le mani potrebbe causare lesioni personali, in quanto le lame potrebbero muoversi in risposta alla rimozione dei corpi estranei.
21. **Quando si intende montare o rimuovere il coprilama, fare attenzione a non ferirsi le mani.**

Sicurezza elettrica e della batteria

1. **Evitare gli ambienti pericolosi. Non utilizzare l'utensile in luoghi umidi o bagnati, né esporlo alla pioggia.** La penetrazione di acqua nell'utensile incrementa il rischio di scosse elettriche.
2. **Non smaltire le batterie nel fuoco.** La cella potrebbe esplodere. Controllare le normative locali per eventuali istruzioni speciali relative allo smaltimento.
3. **Non aprire né fare a pezzi le batterie.** L'elettrolita rilasciato è corrosivo, e potrebbe causare danni agli occhi o alla pelle. Inoltre, potrebbe essere tossico, se inghiottito.
4. **Non caricare la batteria sotto la pioggia o in condizioni di bagnato.**
5. **Non caricare la batteria all'aperto.**
6. **Non maneggiare con le mani bagnate la carica-batterie, inclusa la spina del carica-batterie e i terminali di quest'ultimo.**

Manutenzione e conservazione

1. **Quando l'utensile viene arrestato per sottoporlo a manutenzione, ispezione o per conservarlo, spegnere l'utensile e rimuovere la cartuccia della batteria, quindi accertarsi che tutte le parti mobili si siano arrestate.** Lasciar sempre raffreddare l'utensile prima di effettuare qualsiasi ispezione, regolazione, e così via.
2. **Lasciare sempre raffreddare l'utensile prima di riporlo.**
3. **Quando l'utensile non è in uso, applicare il coprilama sull'utensile e conservarlo al chiuso in un luogo asciutto ed elevato che sia chiuso a chiave, fuori dalla portata dei bambini.**

4. Sottoporre a manutenzione l'utensile con cura. Mantenere i taglienti affilati e puliti per prestazioni ottimali e per ridurre il rischio di lesioni personali. Per lubrificare e sostituire gli accessori, attenersi alle istruzioni. Mantenere le impugnature asciutte, pulite e prive di olio e grasso.
5. Controllare l'eventuale presenza di parti danneggiate. Prima di utilizzare ulteriormente l'utensile, controllare con cura qualsiasi parte che sia danneggiata, per accertarsi che funzioni correttamente e che svolga la funzione a cui è destinata. Controllare l'allineamento delle parti mobili e l'eventuale inceppamento di queste ultime, l'eventuale rottura di parti, attacchi di montaggio e qualsiasi altra condizione che potrebbe influenzare il funzionamento dell'utensile. Una protezione o un altro componente danneggiato vanno riparati in modo adeguato o sostituiti dal proprio centro di assistenza autorizzato.
6. Utilizzare sempre esclusivamente pezzi di ricambio originali.
7. Quando si intende spostare l'utensile in un'altra ubicazione, anche durante il lavoro, rimuovere sempre la cartuccia della batteria e applicare il coprilama sulle lame a cesoie. Non portare né trasportare mai l'utensile con le lame in funzione. Non afferrare mai le lame con le mani.
8. Pulire l'utensile e particolarmente le lame a cesoie dopo l'uso, e prima di riporre l'utensile per periodi di tempo prolungati. Oliare leggermente le lame a cesoie e applicare il coprilama.
9. Non smaltire le batterie nel fuoco. La cella potrebbe esplodere. Controllare le normative locali per eventuali istruzioni speciali relative allo smaltimento.
10. Non aprire né fare a pezzi le batterie. L'elettrolita rilasciato è corrosivo, e potrebbe causare danni agli occhi o alla pelle. Inoltre, potrebbe essere tossico, se inghiottito.
11. Non caricare la batteria sotto la pioggia o in condizioni di bagnato.

CONSERVARE LE PRESENTI ISTRUZIONI.

AVVERTIMENTO: NON lasciare che la comodità o la familiarità d'uso con il prodotto (acquisita con l'uso ripetuto) sostituiscano la stretta osservanza delle norme di sicurezza. L'USO IMPROPRIO o la mancata osservanza delle norme di sicurezza riportate nel presente manuale manuale di istruzioni potrebbero causare lesioni personali gravi.

DESCRIZIONE DELLE PARTI

- Fig.1: 1. Coprilama 2. Maniglia di regolazione dell'angolazione 3. Cappuccio 4. Lame a cesoie 5. Leva scorrevole 6. Impugnatura anteriore

MONTAGGIO

AVVERTIMENTO: Prima di montare o regolare l'apparecchio, spegnere il motore e rimuovere la cartuccia della batteria. In caso contrario, la macchina potrebbe avviarsi accidentalmente e causare lesioni personali.

AVVERTIMENTO: Quando si intende montare o regolare l'apparecchio, appoggiarlo sempre. Il montaggio o la regolazione dell'apparecchio in posizione verticale potrebbero causare gravi lesioni personali.

AVVERTIMENTO: Attenersi alle avvertenze e alle precauzioni nel capitolo "AVVERTENZE DI SICUREZZA" e nel manuale d'uso dell'unità motore.

Montaggio dell'accessorio

1. Rimuovere il cappuccio dall'accessorio.
► Fig.2: 1. Cappuccio
2. Inserire il tubo nell'accessorio, in modo che il foro sul tubo sia allineato con il foro sull'accessorio. Serrare saldamente prima il bullone corto, quindi serrare il bullone lungo per fissare il tubo.
► Fig.3: 1. Foro 2. Tubo 3. Bullone (corto) 4. Bullone (lungo)

NOTA: Quando si serrano i bulloni, applicare una coppia di serraggio compresa tra 4,0 e 6,0 N•m.

Montaggio del tubo degli accessori

ATTENZIONE: Controllare sempre che il tubo dell'accessorio sia fissato dopo l'installazione. Un'installazione inappropriata potrebbe causare la caduta dell'accessorio dall'unità motore e causare lesioni personali.

Montare il tubo degli accessori sull'unità motore.

1. Rimuovere il cappuccio dall'estremità del tubo.
► Fig.4: 1. Tubo 2. Cappuccio

AVVISO: Non smaltire il cappuccio, poiché è necessario per riporre l'accessorio.

2. Ruotare la leva verso l'accessorio.
► Fig.5: 1. Leva
3. Allineare il perno con il simbolo della freccia sull'unità motore. Inserire il tubo fino a quando il pulsante di sblocco scatta verso l'alto.

Accertarsi che la linea di posizione si trovi in corrispondenza della punta del simbolo della freccia sull'unità motore, e che i simboli delle frecce sull'unità motore e sul tubo siano rivolti l'uno verso l'altro.

- Fig.6: 1. Pulsante di sblocco 2. Simbolo della freccia sull'unità motore 3. Perno 4. Linea di posizione 5. Simbolo della freccia sul tubo
4. Ruotare la leva verso l'unità motore.
► Fig.7: 1. Leva

Accertarsi che la superficie della leva sia parallela al tubo.

AVVISO: Non serrare la leva senza aver inserito il tubo dell'accessorio. In caso contrario, la leva potrebbe serrare eccessivamente l'entrata dell'albero di trasmissione e danneggiarla.

Per rimuovere il tubo, ruotare la leva verso l'accessorio ed estrarre il tubo mentre si tiene premuto il pulsante di sblocco.

► **Fig.8:** 1. Pulsante di sblocco 2. Leva 3. Tubo

Installazione o rimozione delle lame a cesoie

ATTENZIONE: Quando si intende sostituire le lame a cesoie, indossare sempre i guanti, affinché le mani non entrino in contatto direttamente con le lame.

ATTENZIONE: Applicare il coprilama prima di rimuovere o installare le lame a cesoie.

AVVISO: Quando si sostituiscono le lame a cesoie, non rimuovere il grasso dalla manovella.

NOTA: Prima di installare o rimuovere le lame a cesoie, distendere l'accessorio, in modo che quest'ultimo sia diritto rispetto al tubo.

1. Fissare il coprilama sulle lame a cesoie.

► **Fig.9:** 1. Coprilama

2. Capovolgere l'accessorio.

3. Rimuovere 4 bulloni con la chiave esagonale, quindi rimuovere il coperchio e la piastra (grande).

► **Fig.10:** 1. Bullone 2. Coperchio 3. Piastra (grande)

4. Ruotare la manovella con il cacciavite a punta piatta, in modo che la manovella sia posizionata nella direzione indicata nella figura.

► **Fig.11:** 1. Manovella

5. Rimuovere 2 bulloni.

► **Fig.12:** 1. Bullone

6. Rimuovere il cuscinetto in feltro (corto), il cuscinetto in feltro (lungo), la piastra (piccola) e le bussole.

► **Fig.13:** 1. Cuscinetto in feltro (corto) 2. Cuscinetto in feltro (lungo) 3. Piastra (piccola) 4. Bussola

7. Rimuovere le lame a cesoie dall'accessorio.

► **Fig.14**

8. Rimuovere il coprilama, quindi applicarlo sulle nuove lame a cesoie.

9. Rimuovere la protezione antipolveri dalle lame a cesoie, quindi montarla nella posizione indicata nella figura sulle nuove lame a cesoie.

► **Fig.15:** 1. Protezione antipolveri

10. Inserire il bullone rimosso al punto 5 nel foro sulle lame a cesoie attraverso il foro sul coprilama.

► **Fig.16:** 1. Foro 2. Bullone

11. Applicare una piccola quantità di grasso sulla parte periferica della manovella. Montare le lame a cesoie sull'accessorio.

► **Fig.17**

12. Montare le bussole e la piastra (piccola) sulle lame a cesoie, quindi serrare il bullone.

► **Fig.18:** 1. Bullone 2. Piastra (piccola) 3. Bussola

13. Rimuovere il bullone inserito nel foro sulle lame a cesoie al punto 10, quindi serrarlo per fissare le lame a cesoie.

14. Montare il cuscinetto in feltro (corto) e il cuscinetto in feltro (lungo).

► **Fig.19:** 1. Cuscinetto in feltro (corto) 2. Cuscinetto in feltro (lungo)

15. Montare la piastra (grande) e il coperchio, quindi serrare 4 bulloni.

► **Fig.20:** 1. Bullone 2. Coperchio 3. Piastra (grande)

AVVISO: Qualora le lame a cesoie non funzionino correttamente, le lame non sono innestate correttamente nella manovella. Rimuovere le lame e reinstallarle.

AVVISO: Qualora parti diverse dalle lame a cesoie, ad esempio la manovella, siano usurate, rivolgersi a centri di assistenza autorizzati Makita per i pezzi di ricambio o le riparazioni.

DESCRIZIONE DELLE FUNZIONI

ATTENZIONE: Accertarsi sempre che l'utensile sia spento e che la cartuccia della batteria sia stata rimossa prima di regolare o di controllare il funzionamento dell'utensile.

Regolazione dell'angolo di taglio

ATTENZIONE: Accertarsi sempre che l'utensile sia spento, prima di regolare l'angolazione di taglio.

È possibile regolare l'angolazione della testina su 13 livelli. Per modificare l'angolazione della testina, attenersi alla procedura seguente.

1. Afferrare la maniglia di regolazione dell'angolazione, quindi regolare l'angolazione della testina mentre si tira la leva scorrevole, e infine rilasciare la leva scorrevole.

► **Fig.21:** 1. Leva scorrevole 2. Maniglia di regolazione dell'angolazione

2. Spostare leggermente la testina fino a quando si blocca con uno scatto.

NOTA: Prima di utilizzare l'utensile, accertarsi che la testina sia bloccata saldamente.

FUNZIONAMENTO

⚠AVVERTIMENTO: Attenersi alle avvertenze e alle precauzioni nel capitolo “AVVERTENZE DI SICUREZZA” e nel manuale d'uso dell'unità motore.

Utilizzo dell'utensile

⚠AVVERTIMENTO: Non utilizzare l'utensile in prossimità di linee elettriche di alcun tipo. Il contatto con linee elettriche o l'utilizzo dell'utensile in prossimità di queste ultime potrebbe causare gravi lesioni personali o scosse elettriche che potrebbero portare alla morte.

⚠AVVERTIMENTO: Tenere le mani lontane dalle lame a cesoie.

⚠AVVERTIMENTO: Mantenere il controllo dell'utensile in qualsiasi momento con la massima attenzione. Non consentire la deviazione dell'utensile verso se stessi o chiunque altro in prossimità dell'area di lavoro. La mancata capacità di mantenere il controllo dell'utensile potrebbe risultare in gravi lesioni personali agli astanti e all'operatore.

⚠ATTENZIONE: Evitare l'utilizzo dell'utensile in condizioni atmosferiche estremamente calde, per quanto possibile. Quando si utilizza l'utensile, fare attenzione alle proprie condizioni fisiche.

⚠ATTENZIONE: Fare attenzione a non entrare in contatto accidentalmente con una recinzione in metallo o con altri oggetti duri durante la rifilatura. In caso contrario, le lame a cesoie potrebbero rompersi e causare lesioni personali.

⚠ATTENZIONE: Fare attenzione a evitare che le lame a cesoie entrino in contatto con il terreno. In caso contrario, l'utensile potrebbe subire un contraccolpo e causare lesioni personali.

⚠ATTENZIONE: Sporgersi con un tagliasiepi, specialmente da una scala a pioli, è estremamente pericoloso. Non lavorare in piedi su alcuna superficie traballante o malferma.

AVVISO: Non tentare di tagliare rami di spessore superiore ai 10 mm di diametro con l'utensile. Tagliare i rami a un'altezza di 10 cm inferiore a quella di taglio utilizzando dei troncareami, prima di utilizzare l'utensile.

► Fig.22: (1) Altezza di taglio (2) 10 cm

AVVISO: Non tagliare alberi morti oppure oggetti duri simili. In caso contrario, si potrebbe danneggiare l'utensile.

AVVISO: Non rifilare l'erba o le erbacce mentre si utilizzano le lame a cesoie. Le lame a cesoie potrebbero restare incagliate nell'erba o nelle erbacce.

Mantenere l'utensile con entrambe le mani, afferrando la maniglia anteriore dell'unità motore, o l'impugnatura anteriore dell'accessorio, e l'impugnatura posteriore dell'unità motore.

► Fig.23: 1. Maniglia anteriore 2. Impugnatura posteriore

Premere l'interruttore a grilletto mentre si tiene premuta la leva di sblocco, quindi spostare l'utensile in avanti.

► Fig.24

Per il funzionamento di base, inclinare le lame a cesoie verso la direzione di rifilatura e sposterle con calma e lentamente a una velocità compresa tra 3 e 4 secondi per metro.

► Fig.25

Per tagliare il lato di una siepe in modo omogeneo, eseguire il taglio dal basso verso l'alto.

► Fig.26

Quando si rifila per creare una forma tondeggianti (rifilatura di bosso e rododendro, e così via), rifilare partendo dalle radici verso l'alto per ottenere una bellissima finitura.

► Fig.27

MANUTENZIONE

⚠AVVERTIMENTO: Prima di ispezionare o sottoporre a manutenzione l'apparecchio, spegnere il motore e rimuovere la cartuccia della batteria. In caso contrario, la macchina potrebbe avviarsi accidentalmente e causare gravi lesioni personali.

⚠AVVERTIMENTO: Quando si intende ispezionare o sottoporre a manutenzione l'apparecchio, appoggiarlo sempre. Il montaggio o la regolazione dell'apparecchio in posizione verticale potrebbero causare gravi lesioni personali.

⚠AVVERTIMENTO: Attenersi alle avvertenze e alle precauzioni nel capitolo “AVVERTENZE DI SICUREZZA” e nel manuale d'uso dell'unità motore.

⚠ATTENZIONE: Indossare dei guanti quando si intende eseguire l'ispezione o la manutenzione.

AVVISO: Non utilizzare mai benzina, benzene, solventi, alcol o altre sostanze simili. In caso contrario, si potrebbero causare scolorimenti, deformazioni o crepe.

Per preservare la SICUREZZA e l'AFFIDABILITÀ del prodotto, le riparazioni e qualsiasi altro intervento di manutenzione e di regolazione devono essere eseguiti da un centro di assistenza autorizzato Makita, utilizzando sempre ricambi Makita.

Pulizia dell'utensile

Pulire l'utensile rimuovendo le polveri con un panno asciutto o con uno bagnato in acqua saponata e strizzato.

AVVISO: Non utilizzare mai benzina, benzene, solventi, alcol o altre sostanze simili. In caso contrario, si potrebbero causare scolorimenti, deformazioni o crepe.

Manutenzione delle lame a cesoie

Prima del funzionamento, oppure una volta per ogni ora di utilizzo, applicare olio a bassa viscosità (olio per macchine, oppure olio lubrificante di tipo spray) sulle lame a cesoie.

► Fig.28

Dopo l'uso, asportare la polvere da entrambi i lati delle lame a cesoie con una spazzola metallica, pulire la polvere passando un panno, quindi applicare olio a bassa viscosità (olio per macchine, oppure olio lubrificante di tipo spray) sulle lame a cesoie.

► Fig.29

AVVISO: Non lavare le lame a cesoie in acqua. In caso contrario, si potrebbe causare la formazione di ruggine o danneggiare l'utensile.

AVVISO: Lo sporco e la corrosione causano un'eccessiva frizione delle lame e riducono la durata di esercizio per ciascuna carica della batteria.

Conservazione

Applicare il coprilama sulle lame a cesoie in modo che le lame non siano esposte. Conservare l'utensile fuori dalla portata dei bambini. Riporre l'utensile in un'ubicazione non esposta all'umidità o alla pioggia.

Quando si intende riporre l'accessorio separatamente dall'unità motore, applicare il cappuccio sull'estremità del tubo.

► Fig.30

Lubrificazione delle parti mobili

AVVISO: Attenersi alle istruzioni relative alla frequenza e alla quantità di grasso applicato. In caso contrario, una lubrificazione insufficiente potrebbe danneggiare le parti mobili.

Asse della trasmissione:

Applicare il grasso (grasso Makita N No.2 o equivalente) ogni 30 ore di funzionamento.

► Fig.31

NOTA: È possibile acquistare grasso originale Makita dal proprio rivenditore locale Makita.

Lubrificazione con grasso

Intervallo di lubrificazione: Ogni 25 ore di funzionamento

1. Rimuovere il bullone dal foro per la lubrificazione.
► Fig.32: 1. Bullone
2. Rimuovere il cappuccio dal contenitore del grasso. Allineare l'uscita del contenitore del grasso con il foro presente sul coperchio, quindi girare il contenitore del grasso per montare l'uscita del contenitore del grasso nel foro.
► Fig.33: 1. Contenitore del grasso 2. Foro
3. Applicare il grasso sull'utensile (circa 3 g, come riferimento).
4. Rimuovere il contenitore del grasso.
5. Serrare il bullone.

Affilatura delle lame a cesoie

AVVISO: Qualora le lame a cesoie si siano deformate notevolmente a causa dell'affilatura, sostituire le lame a cesoie con lame nuove.

1. Installare la cartuccia della batteria nell'utensile.
2. Accendere e avviare l'utensile in modo che la lama superiore e la lama inferiore siano posizionate in modo alternato.
► Fig.34
3. Spegner l'utensile e rimuovere la cartuccia della batteria dall'utensile.
4. Impostare l'angolazione di una lima a 45°, quindi affilare la lama superiore da 3 direzioni con la lima.
► Fig.35: (1) Lima (2) 45°

ATTENZIONE: Prima di affilare le lame a cesoie, accertarsi che l'utensile sia spento e che la cartuccia della batteria sia stata rimossa dall'utensile.

5. Appoggiare l'utensile capovolto, quindi rimuovere le sbavature dalle lame a cesoie con la pietra ravnivamole.
► Fig.36: 1. Pietra ravnivamole
6. Impostare l'angolazione della lima a 45°, quindi affilare la lama inferiore da 3 direzioni con la lima.
7. Rimettere l'utensile nella posizione normale, quindi rimuovere le sbavature dalle lame a cesoie con la pietra ravnivamole.

RISOLUZIONE DEI PROBLEMI

Prima di richiedere riparazioni, eseguire un'ispezione personalmente. Qualora si rilevi un problema che non è illustrato nel manuale, non tentare di smontare l'utensile. Rivolgersi, invece, a un centro di assistenza autorizzato Makita, utilizzando sempre pezzi di ricambio Makita per le riparazioni.

Stato di anomalia	Causa probabile (guasto)	Azione correttiva
Il motore non si avvia.	-	Consultare il manuale d'uso dell'unità motore.
Il motore si arresta dopo poco tempo.	-	Consultare il manuale d'uso dell'unità motore.
La velocità del motore non aumenta.	-	Consultare il manuale d'uso dell'unità motore.
Le lame a cesoie non si muovono: ⇒ arrestare immediatamente la macchina!	Dei corpi estranei sono inceppati tra le lame a cesoie.	Spegnere l'utensile e rimuovere la cartuccia della batteria, quindi rimuovere i corpi estranei utilizzando degli utensili, ad esempio delle pinze.
	Il sistema di trasmissione non funziona correttamente.	Richiedere la riparazione a un centro di assistenza autorizzato locale.
Vibrazione anomala: ⇒ arrestare immediatamente la macchina!	Le lame a cesoie sono rotte, piegate o usurate.	Sostituire le lame a cesoie.
	Il sistema di trasmissione non funziona correttamente.	Richiedere la riparazione a un centro di assistenza autorizzato locale.
Non si riesce ad arrestare le lame a cesoie e il motore: ⇒ rimuovere immediatamente la batteria!	Malfunzionamento elettrico.	Rimuovere la batteria e richiedere la riparazione a un centro di assistenza autorizzato locale.

ACCESSORI OPZIONALI

⚠ATTENZIONE: Questi accessori o componenti aggiuntivi sono consigliati per l'uso con il prodotto Makita specificato nel presente manuale. L'impiego di altri accessori o componenti aggiuntivi di qualsiasi tipo potrebbe costituire un rischio di lesioni alle persone. Utilizzare un accessorio o un componente aggiuntivo solo per lo scopo a cui è destinato.

Per ottenere ulteriori dettagli relativamente a questi accessori, rivolgersi a un centro di assistenza Makita.

- Lama completa
- Contenitore del grasso
- Batteria e caricabatterie originali Makita

NOTA: Alcuni articoli nell'elenco potrebbero essere inclusi in dotazione nella confezione dell'utensile come accessori di serie. Tali articoli possono variare da una nazione all'altra.

TECHNISCHE GEGEVENS

Model:	EN402MP
Lengte messenblad	500 mm
Totale lengte	1444 mm
Nettogewicht	2,4 kg

- In verband met ononderbroken research en ontwikkeling behouden wij ons het recht voor bovenstaande technische gegevens te wijzigen zonder voorafgaande kennisgeving.
- De technische gegevens kunnen van land tot land verschillen.

Goedgekeurd aandrijfsysteem

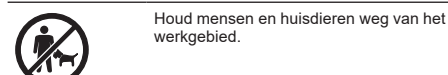
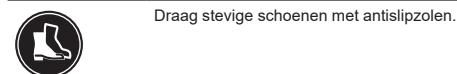
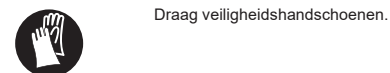
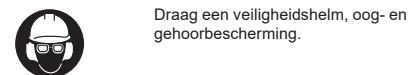
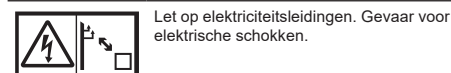
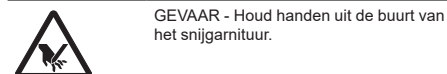
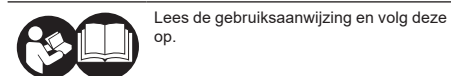
Dit hulpstuk is alleen goedgekeurd voor gebruik met de volgende aandrijfsystemen:

- Multifunctioneel accuaandrijfsysteem DUX60
- Multifunctioneel accuaandrijfsysteem DUX18
- Multifunctioneel accuaandrijfsysteem UX01G

⚠️WAARSCHUWING: Gebruik het hulpstuk nooit met een niet-goedgekeurd aandrijfsysteem. Een niet-goedgekeurde combinatie kan leiden tot ernstig letsel.

Symbolen

Hieronder staan de symbolen die voor het gereedschap kunnen worden gebruikt. Zorg ervoor dat u de betekenis ervan kent voordat u het gereedschap gaat gebruiken.



Gegarandeerd geluidsvermogeniveau conform EU-richtlijn inzake geluidsemisatie buitenhuis.



Geluidsvermogeniveau conform de Regelgeving Geluidsregeling van NSW, Australië

Gebruiksdoeleinden

Dit hulpstuk is uitsluitend bedoeld voor het snoeien van heggen in combinatie met een goedgekeurd aandrijfsysteem. Gebruik het hulpstuk nooit voor andere doeleinden. Misbruik van het hulpstuk kan leiden tot ernstig letsel.

EG-verklaring van conformiteit

Alleen voor Europese landen

Wij als de fabrikanten: **Makita Europe N.V.**, Bedrijfsadres: **Jan-Baptist Vinkstraat 2, 3070 Kortenberg, BELGIË**. Stellen **Hiroshi Tsujimura** aan om het technische bestand samen te stellen en verklaren onder eigen verantwoordelijkheid dat het/de product(en); Aanduiding: **Heggenschaarhulpstuk**. Aanduiding van type(n): **EN402MP**. Voldoet aan de relevante voorwaarden van **2006/42/EG** en tevens voldoet aan de relevante voorwaarden van de volgende EG/EU-richtlijnen: **2000/14/EG** en zijn gefabriceerd in overeenstemming met de volgende geharmoniseerde normen: **EN62841-1:2015, EN 62841-4-2:2019, EN ISO 11806-1:2011**. Plaats en datum van verklaring: **Kortenberg, België. 20. 12. 2022**
Verantwoordelijke persoon: **Hiroshi Tsujimura, directeur - Makita Europe N.V.**

VEILIGHEIDSWAAR- SCHUWINGEN

Veiligheidswaarschuwingen voor een accustokheggenchaar

- Houd alle lichaamsdelen uit de buurt van het blad. Verwijder geen snoeiafval en houd geen materiaal om te snoeien vast terwijl de messenbladen bewegen.** De bladen blijven bewegen nadat de schakelaar is uitgezet. Een ogenblik van onoplettendheid kan tijdens het gebruik van de heggenchaar leiden tot ernstig persoonlijk letsel.
- Draag de heggenchaar aan de handgreep terwijl het blad stilstaat en let erop geen enkele aan-uitschakelaar te bedienen.** Als de heggenchaar op de juiste manier wordt gedragen, is de kans op per ongeluk starten en het daaruit voortvloeiende persoonlijk letsel door de bladen kleiner.
- Bij het transporteren of opbergen van de heggenchaar, brengt u altijd de schede aan.** Als de heggenchaar op de juiste manier wordt gehanteerd, is de kans op persoonlijk letsel door de bladen kleiner.
- Bij het verwijderen van vastgeklemd materiaal of het onderhouden van het gereedschap, verzekert u zich ervan dat alle aan-uitschakelaars uit staan en de accu is verwijderd of losgekoppeld.** Onverwachte inschakeling van de heggenchaar tijdens het verwijderen van vastgeklemd materiaal of onderhoud kan leiden tot ernstig persoonlijk letsel.
- Houd de heggenchaar alleen vast bij het geïsoleerde oppervlak omdat de bladen met verborgen bedrading in aanraking kunnen komen.** Wanneer de bladen in aanraking komen met onder spanning staande draden, zullen de niet-geïsoleerde metalen delen van de heggenchaar onder spanning komen te staan zodat de gebruiker een elektrische schok kan krijgen.
- Houd alle elektriciteits snoeren en -kabels uit de buurt van het snoeigebied.** Elektriciteits snoeren en -kabels kunnen verborgen zitten in heggen of struiken, en kunnen per ongeluk worden doorgesneden door het blad.
- Gebruik de heggenchaar niet onder slechte weersomstandigheden, met name wanneer de kans op bliksem bestaat.** Dit verkleint het risico om te worden getroffen door de bliksem.
- Om de kans op elektrocutie te verkleinen, gebruikt u de stokheggenchaar nooit in de buurt van elektriciteitsdraden.** Aanraking van of gebruik in de buurt van elektriciteitsdraden kan leiden tot ernstig letsel of een elektrische schok die leidt tot de dood.
- Gebruik altijd twee handen om de stokheggenchaar te bedienen.** Houd de stokheggenchaar met beide handen vast om te voorkomen dat u de controle erover verliest.
- Gebruik altijd hoofdbescherming wanneer u de stokheggenchaar boven uw hoofd bedient.** Vallend afval kan ernstig persoonlijk letsel veroorzaken.

Aanvullende veiligheidsinstructies

Vorbereidingen

- DEZE HEGGENSCHAAR KAN ERNSTIG LETSEL VEROORZAKEN.** Lees de instructies zorgvuldig voor een juiste hantering, voorbereiding, onderhoud, starten en stoppen van het gereedschap. Zorg dat u vertrouwd raakt met alle bedieningsorganen en het correcte gebruik van het gereedschap.
- Controleer de heggen en struiken op vreemde voorwerpen, zoals draadafrastering of verborgen draden, voordat u het gereedschap gebruikt.**
- De heggenchaar mag niet worden gebruikt door kinderen of jeugd jonger dan 18 jaar.** Jongeren ouder dan 16 jaar kunnen uitgezonderd worden van deze regel mits zij les krijgen onder toezicht van een expert.
- In geval van nood zet u onmiddellijk het gereedschap uit en verwijderd u de accu.**
- GEVAAR - Houd uw handen uit de buurt van de messenbladen.** Aanraking van de messenbladen kan leiden tot ernstig persoonlijk letsel.
- Beginnende gebruikers dienen door een ervaren gebruiker te worden voorgedaan hoe het gereedschap moet worden gebruikt.**
- Onderzoek het werkgebied op draadafrasteringen, stenen en andere massieve voorwerpen voordat u met de werkzaamheden begint. Zij kunnen de bladen beschadigen.**
- Gebruik de heggenchaar alleen als u in goede lichamelijke conditie bent.** Als u vermoeid bent, kunt u zich minder goed concentreren. Wees met name voorzichtig aan het einde van de werkdag. Werk altijd rustig en voorzichtig. De gebruiker is aansprakelijk voor alle schade toegebracht aan derden.
- Alvorens met de werkzaamheden te beginnen, moet u controleren of de heggenchaar in goede en veilige staat verkeert. Controleer dat de beschermkappen stevig gemonteerd zijn. De heggenchaar mag niet worden gebruikt voordat deze geheel compleet en afgemonteerd is.**
- Vermijd gevaarlijke omgevingen. Gebruik het gereedschap niet op vochtige of natte plaatsen en stel het niet bloot aan regen. Als water binnendringt in het gereedschap, wordt de kans op een elektrische schok groter.**

Persoonlijke-veiligheidsmiddelen

- Werkhandschoenen van stevig leer maken deel uit van de standaard werkuitrusting van de heggenchaar en moeten tijdens het werken ermee altijd worden gedragen. Draag tevens stevige schoenen met antislip zolen.**
- Draag gehoorbescherming, zoals oorkappen, om gehoorschade te voorkomen.**
- Draag een veiligheidsbril, veiligheidshelm en veiligheids handschoenen om uzelf te beschermen tegen rondvliegend afval en vallende voorwerpen.**
- Wanneer u de bladen aanraakt of de hoek van de bladen verandert, moet u veiligheids handschoenen dragen. De bladen kunnen flinke snijwonden veroorzaken in blote handen.**

Bediening

- Gebruik altijd twee handen om het gereedschap te bedienen.** Als u één hand gebruikt, kunt u de controle over het gereedschap verliezen waardoor ernstig persoonlijk letsel kan worden veroorzaakt.
- Verzekert u bij bediening van het gereedschap er altijd van dat de bedieningspositie veilig en stabiel is.** Het is bijzonder gevaarlijk met het gereedschap te ver te reiken, met name op een ladder. Werk niet vanaf een wankel of instabiel iets.
- Draag niet meerdere gereedschapsriemen en/of schouderdraagstellen tegelijkertijd terwijl u het gereedschap bedient.**
- Houd tijdens gebruik omstanders en dieren ten minste 15 meter uit de buurt van het gereedschap.** Zet het gereedschap uit zodra iemand dichterbij komt.
- Als het snijgarnituur tegen een voorwerp stoot, of het gereedschap een ongebruikelijk geluid begint te maken, schakelt u het gereedschap onmiddellijk uit, verwijdert u de accu en laat u het gereedschap tot stilstand komen. Voer daarna de volgende stappen uit:**
 - **Inspecteer op beschadigingen.**
 - **Controleer op loszittende onderdelen en zet die goed vast.**
 - **Laat alle beschadigde onderdelen repareren of vervangen door originele vervangingsonderdelen.**
- Gebruik het gereedschap uitsluitend voor het beoogde doel.** Gebruik het gereedschap niet voor enig ander doel.
- Schakel het gereedschap uit en verwijder de accu alvorens:**
 - **te reinigen of een verstopping op te heffen,**
 - **te controleren, onderhoud uit te voeren of te werken aan het gereedschap,**
 - **de werkstand van de messenbladen af te stellen,**
 - **het gereedschap onbeheerd achter te laten.**
- Verzekert u ervan dat het gereedschap correct is vastgezet in een daarvoor bedoelde werkstand voordat u het gereedschap start.**
- Bedien het gereedschap niet wanneer de messenbladen beschadigd of sterk gesleten zijn.**
- Let altijd goed op uw omgeving en wees bedacht op mogelijke gevaren waarvan u zich mogelijk niet bewust bent vanwege het geluid van het gereedschap.**
- Wees voorzichtig niet per ongeluk een metaal afrastering of andere harde voorwerpen te raken tijdens het gebruik.** De bladen zullen breken en kunnen ernstig letsel veroorzaken.
- Voorkom onbedoeld starten.** Draag het gereedschap niet terwijl de accu is aangebracht met uw vinger op de schakelaar. Verzekert u ervan dat de schakelaar uit staat voordat u de accu aanbrengt.
- Pak de blote messenbladen of snijranden niet vast wanneer u het gereedschap oppakt of vasthoudt.**
- Forceer het gereedschap niet.** Het gereedschap werkt beter en met een kleinere kans op letsel op de manier waarvoor het is ontworpen.
- Gebruik het gereedschap niet in de regen of onder natte of zeer vochtige omstandigheden.** De elektromotor is niet waterdicht.
- Houd tijdens het gebruik het gereedschap stevig vast.**
- Laat het gereedschap niet onnodig onbelast draaien.**
- Alvorens de messenbladen te controleren, storingen te verhelpen of vastgelopen vreemde voorwerpen uit de messenbladen te verwijderen, schakelt u het gereedschap altijd uit en verwijdert u de accu.**
- Richt de messenbladen nooit op uzelf of anderen.**
- Als de messenbladen tijdens gebruik stoppen met bewegen doordat vreemde voorwerpen verstrikt geraakt zijn tussen de messenbladen, schakelt u het gereedschap uit en verwijdert u de accu, en verwijdert u vervolgens de vreemde voorwerpen met behulp van gereedschappen, zoals een tang.** Als u de vreemde voorwerpen met de hand verwijdert, kan dat leiden tot letsel omdat de messenbladen kunnen gaan bewegen als reactie op het verwijderen van de vreemde voorwerpen.
- Wees bij het aanbrengen en verwijderen van de schede voorzichtig dat u uw handen niet verwondt.**

Elektrische veiligheid en accu

- Vermijd gevaarlijke omgevingen.** Gebruik het gereedschap niet op vochtige of natte plaatsen en stel het niet bloot aan regen. Als water binnendringt in het gereedschap, wordt de kans op een elektrische schok groter.
 - Werp de accu('s) niet in een vuur.** De accu kan exploderen. Raadpleeg de lokale regelgeving voor mogelijke speciale verwerkingsvereisten.
 - Open of vervorm de accu('s) niet.** Het elektrolyt is agressief en kan letsel toebrengen aan de ogen en huid. Het kan giftig zijn bij inslikken.
 - Laad de accu niet op in de regen of op een natte plaats.**
 - Laad de accu niet buitenshuis op.**
 - Raak de lader, inclusief de stekker en de contacten van de lader, niet met natte handen aan.**
- ## Onderhoud en opbergen
- Wanneer het gereedschap wordt stilgezet voor onderhoud, inspectie of opslag, schakelt u het gereedschap uit, verwijdert u de accu en verzekert u zich ervan dat alle bewegende delen tot stilstand zijn gekomen. Laat het gereedschap afkoelen alvorens enige inspectie, enz. uit te voeren.**
 - Laat het gereedschap altijd eerst afkoelen voordat u hem opbergt.**
 - Als het gereedschap niet wordt gebruikt, bevestigt u de schede op het gereedschap en bergt u het gereedschap binnen op op een droge, hoge of afgesloten plaats, buiten het bereik van kinderen.**

4. Onderhoud het gereedschap goed. Houd de snijranden scherp en schoon voor de beste prestaties en om de kans op letsel te verkleinen. Volg de instructies voor het smeren en het vervangen van accessoires. Houd de handgrepen droog, schoon en vrij van olie en vet.
5. Controleer beschadigde onderdelen. Zonder het gereedschap verder te gebruiken, moet elk onderdeel dat beschadigd is eerst goed worden onderzocht om te beoordelen of het goed zal werken en zijn beoogde functie kan uitvoeren. Controleer of bewegende delen goed uitgelijnd zijn en niet vastgelopen zijn, of onderdelen niet kapot zijn en stevig gemonteerd zijn, en enige andere situatie die van invloed kan zijn op de werking van het gereedschap. Een beschermkap of ander onderdeel dat is beschadigd, dient deugdelijk te worden gerepareerd of te worden vervangen door uw erkende servicecentrum.
6. Gebruik uitsluitend originele vervangingsonderdelen.
7. Wanneer u het gereedschap naar een andere plaats overbrengt, ook tijdens het werk, verwijdert u altijd de accu en brengt u de schede aan over de messenbladen. Draag of vervoer het gereedschap nooit terwijl de bladen bewegen. Pak de bladen nooit met uw handen beet.
8. Reinig het gereedschap, en met name de messenbladen, na ieder gebruik en voordat het gereedschap langdurig wordt opgeborgen. Smeer de messenbladen met een beetje olie en breng de schede aan.
9. Werp de accu('s) niet in een vuur. De accu kan exploderen. Raadpleeg de lokale regelgeving voor mogelijke speciale verwerkingsvereisten.
10. Open of vervorm de accu('s) niet. Het elektrolyt is agressief en kan letsel toebrengen aan de ogen en huid. Het kan giftig zijn bij inslikken.
11. Laad de accu niet op in de regen of op een natte plaats.

BEWAAR DEZE VOORSCHRIFTEN.

⚠WAARSCHUWING: Laat u NIET misleiden door een vals gevoel van comfort en bekendheid met het gereedschap (na veelvuldig gebruik) en neem alle veiligheidsvoorschriften van het betreffende gereedschap altijd strikt in acht. **VERKEERD GEBRUIK** of het niet naleven van de veiligheidsvoorschriften in deze gebruiksaanwijzing kan leiden tot ernstig letsel.

BESCHRIJVING VAN DE ONDERDELEN

- **Fig.1:** 1. Schede 2. Instelhendel voor de hoek
3. Dop 4. Messenbladen 5. Schuifhendel
6. Voorhandgreep

MONTAGE

⚠WAARSCHUWING: Alvorens het apparaat te monteren of af te stellen, schakelt u de motor uit en verwijdert u de accu. Anders kan het apparaat onbedoeld starten, waardoor letsel kan ontstaan.

⚠WAARSCHUWING: Leg het gereedschap altijd op de grond wanneer u het afstelt of onderdelen aanbrengt. Als u onderdelen aanbrengt of het gereedschap afstelt terwijl het rechtop staat, kan ernstig letsel worden veroorzaakt.

⚠WAARSCHUWING: Volg de waarschuwingen en voorzorgsmaatregelen in het hoofdstuk "VEILIGHEIDSWAARSCHUWINGEN" op en raadpleeg de gebruiksaanwijzing van het aandrijfsysteem.

Het hulpstuk aanbrengen

1. Verwijder de dop vanaf het hulpstuk.
► **Fig.2:** 1. Dop
2. Steek de pijp in het hulpstuk zodat het gat in de pijp is uitgelijnd met het gat in het hulpstuk. Draai de korte bout eerst stevig vast en draai daarna de lange bout vast om de pijp vast te zetten.
► **Fig.3:** 1. Gat 2. Pijp 3. Bout (kort) 4. Bout (lang)

OPMERKING: Haal de bouten aan met een koppel van 4,0 - 6,0 N•m.

De hulpstukpijp bevestigen

⚠LET OP: Controleer na het aanbrengen altijd of de hulpstukpijp stevig is bevestigd. Door onjuist aanbrengen kan het hulpstuk van het aandrijfsysteem af vallen en persoonlijk letsel veroorzaken.

Bevestig de pijp van het hulpstuk aan het aandrijfsysteem.

1. Verwijder de dop vanaf het uiteinde van de pijp.
► **Fig.4:** 1. Pijp 2. Dop

KENNISGEVING: Gooi de dop niet weg omdat deze weer nodig is voor het opbergen van het hulpstuk.

2. Kantel de hendel naar het hulpstuk.
► **Fig.5:** 1. Hendel
3. Lijn de pen uit met de pijlmarkering op het aandrijfsysteem. Steek de pijp erin tot de ontgrendelknop omhoog springt.

Verzeker u ervan dat de positielijn tegen de punt van de pijlmarkering op het aandrijfsysteem komt, en dat de pijlmarkering op het aandrijfsysteem en de pijlmarkering op de pijp tegenover elkaar liggen.

- **Fig.6:** 1. Ontgrendelknop 2. Pijlmarkering op het aandrijfsysteem 3. Pen 4. Positielijn 5. Pijlmarkering op de pijp

4. Kantel de hendel naar het aandrijfsysteem.
► **Fig.7:** 1. Hendel

Zorg ervoor dat het bovenvlak van de hendel parallel ligt aan de pijp.

KENNISGEVING: Zet de hendel niet vast zonder dat de hulpstukpijp erin is gestoken. Als u dit doet, kan de hendel de ingang voor de aandrijfschacht te ver dichtknijpen en beschadigen.

Om de pijp te verwijderen, kantelt u de hendel naar het hulpstuk en trekt u de pijp eruit terwijl u de ontgrendelknop ingedrukt houdt.

► **Fig.8:** 1. Ontgrendelknop 2. Hendel 3. Pijp

De messenbladen aanbrengen en verwijderen

⚠ LET OP: Draag bij het vervangen van de messenbladen altijd handschoenen zodat uw handen niet rechtstreeks in aanraking komen met de messenbladen.

⚠ LET OP: Breng de schede aan voordat u de messenbladen aanbrengt of verwijdert.

KENNISGEVING: Bij het aanbrengen of verwijderen van de messenbladen veegt u het vet op de kruk er niet af.

OPMERKING: Voordat u de messenbladen aanbrengt of verwijdert, klapt u het hulpstuk om zodat het hulpstuk recht op de pijp staat.

1. Breng de schede aan op de messenbladen.
► **Fig.9:** 1. Schede
2. Leg het hulpstuk ondersteboven.
3. Verwijder de 4 bouten met behulp van de inbusleutel en verwijder de afdekking en plaat (groot).
► **Fig.10:** 1. Bout 2. Afdekking 3. Plaat (groot)
4. Draai de kruk met behulp van de platkopschroevendraaier zodanig dat de kruk in de richting staat zoals aangegeven in de afbeelding.
► **Fig.11:** 1. Kruk
5. Verwijder de 2 bouten.
► **Fig.12:** 1. Bout
6. Verwijder het viltblok (kort), het viltblok (lang), de plaat (klein) en de bussen.
► **Fig.13:** 1. Viltblok (kort) 2. Viltblok (lang) 3. Plaat (klein) 4. Bus
7. Verwijder de messenbladen vanaf het hulpstuk.
► **Fig.14**
8. Verwijder de schede en breng hem aan op de nieuwe messenbladen.
9. Verwijder de stofbescherming vanaf de messenbladen en bevestig het daarna op de nieuwe messenbladen in de positie aangegeven in de afbeelding.
► **Fig.15:** 1. Stofbescherming
10. Steek de bout, die in stap 5 werd verwijderd, door het gat in de schede in het gat in de messenbladen.
► **Fig.16:** 1. Gat 2. Bout

11. Breng een kleine hoeveelheid smeervet aan op de omtrek van de kruk. Bevestig de messenbladen aan het hulpstuk.

► **Fig.17**

12. Bevestig de bussen en de plaat (klein) aan de messenbladen en draai daarna de bout vast.

► **Fig.18:** 1. Bout 2. Plaat (klein) 3. Bus

13. Verwijder de bout die in stap 10 in het gat in de messenbladen werden gestoken, en draai deze daarna in de messenbladen om ze te bevestigen.

14. Bevestig het viltblok (kort) en het viltblok (lang).

► **Fig.19:** 1. Viltblok (kort) 2. Viltblok (lang)

15. Breng de plaat (groot) en de afdekking aan en draai daarna de 4 bouten vast.

► **Fig.20:** 1. Bout 2. Afdekking 3. Plaat (groot)

KENNISGEVING: Als de messenbladen niet goed werken, grijpen de messenbladen niet goed aan op de kruk. Verwijder de messenbladen en breng ze opnieuw aan.

KENNISGEVING: Als andere onderdelen dan de messenbladen, zoals de kruk, zijn versleten, vraagt u een erkend Makita-servicecentrum, de onderdelen te vervangen of het gereedschap te repareren.

BESCHRIJVING VAN DE FUNCTIES

⚠ LET OP: Zorg altijd dat het gereedschap is uitgeschakeld en de accu ervan is verwijderd alvorens de functies op het gereedschap af te stellen of te controleren.

De snoeihoek instellen

⚠ LET OP: Verzeker u er altijd van dat het gereedschap is uitgeschakeld voordat u de snoeihoek instelt.

De hoek van de kop kan in 13 standen worden ingesteld. Om de hoek van de kop te veranderen, volgt u de onderstaande stappen.

1. Terwijl u de schuifhendel ingeschoven houdt, pakt u de instelhendel voor de hoek vast om daarmee de hoek van de kop in te stellen en laat u de schuifhendel weer los.

► **Fig.21:** 1. Schuifhendel 2. Instelhendel voor de hoek

2. Beweeg de kop iets tot deze met een klik wordt vergrendeld.

OPMERKING: Verzeker u ervan dat de kop stevig vergrendeld is voordat u het gereedschap gebruikt.

BEDIENING

⚠ WAARSCHUWING: Volg de waarschuwingen en voorzorgsmaatregelen in het hoofdstuk “VEILIGHEIDSWAARSCHUWINGEN” op en raadpleeg de gebruiksaanwijzing van het aandrijfsysteem.

Het gereedschap bedienen

⚠ WAARSCHUWING: Gebruik het gereedschap niet in de buurt van elektriciteitsdraden. Aanraking van elektriciteitsdraden of gebruik van het gereedschap in de buurt van elektriciteitsdraden kan leiden tot ernstig letsel of een elektrische schok die leidt tot de dood.

⚠ WAARSCHUWING: Houd uw handen uit de buurt van de messenbladen.

⚠ WAARSCHUWING: Let er goed op dat u te allen tijde de controle over het gereedschap behoudt. Zorg ervoor dat het gereedschap zich niet in uw richting of in de richting van iemand die in de buurt staat beweegt. Als u de controle over het gereedschap verliest, kan dat leiden tot ernstig letsel van de gebruiker en omstanders.

⚠ LET OP: Vermijd, voor zover dat praktisch is, het gebruik van het gereedschap bij zeer warm weer. Let tijdens gebruik van het gereedschap op uw fysieke toestand.

⚠ LET OP: Wees voorzichtig niet per ongeluk een metalen afrastering of andere harde voorwerpen te raken tijdens het snoeien. De messenbladen kunnen breken en letsel veroorzaken.

⚠ LET OP: Wees voorzichtig dat de messenbladen tijdens gebruik niet de grond raken. Het gereedschap kan hierdoor terugslaan en letsel veroorzaken.

⚠ LET OP: Het is bijzonder gevaarlijk met de heggenschaar te ver te reiken, met name op een ladder. Werk niet vanuit een wankele of instabiele stand.

KENNISGEVING: Probeer geen takken dikker dan 10 mm diameter te snoeien met het gereedschap. Snoei takken met behulp van een snoeischaar op 10 cm lager af dan de snoeihoogte voordat u het gereedschap gebruikt.

► Fig.22: (1) Snoeihoogte (2) 10 cm

KENNISGEVING: Snoei niet in dode bomen of andere harde voorwerpen. Als u dit toch doet, kan het gereedschap worden beschadigd.

KENNISGEVING: Snijd geen gras of onkruiden met de messenbladen. Het gras of de onkruiden kunnen verstrikt raken in de messenbladen.

Houd het gereedschap met beide handen vast door met één hand de voorhandgreep van het aandrijfsysteem of de voorhandgreep van het hulpstuk vast te houden en met de andere hand de achterhandgreep van het aandrijfsysteem vast te houden.

► Fig.23: 1. Voorhandgreep 2. Achterhandgreep

Houd de uit-vergrendelhendel ingedrukt en knijp de trekkerschakelaar in, en beweeg vervolgens het gereedschap naar voren.

► Fig.24

Als standaardmethode houdt u de messenbladen gekanteld in de snoeirichting en beweegt u ze rustig en langzaam met een snelheid van 3 of 4 seconden per meter.

► Fig.25

Om de zijkant van een heg gelijkmatig te snoeien, snoeit u van onder naar boven.

► Fig.26

Als u een ronde vorm wilt snoeien (snoeien van buxus, rododendron, enz.), snoeit u van onder naar boven voor een mooie afwerking.

► Fig.27

ONDERHOUD

⚠ WAARSCHUWING: Alvorens het gereedschap te inspecteren of te onderhouden, zet u de motor uit en verwijdert u de accu. Anders kan het apparaat onbedoeld starten, waardoor ernstig letsel kan ontstaan.

⚠ WAARSCHUWING: Leg het gereedschap altijd op de grond wanneer u het inspecteert of onderhoudt. Als u onderdelen aanbrengt of het gereedschap afstelt terwijl het rechtop staat, kan ernstig letsel worden veroorzaakt.

⚠ WAARSCHUWING: Volg de waarschuwingen en voorzorgsmaatregelen in het hoofdstuk “VEILIGHEIDSWAARSCHUWINGEN” op en raadpleeg de gebruiksaanwijzing van het aandrijfsysteem.

⚠ LET OP: Draag handschoenen bij het verrichten van inspectie of onderhoud.

KENNISGEVING: Gebruik nooit benzine, wasbenzine, thinner, alcohol en dergelijke. Hierdoor kunnen verkleuring, vervormingen en barsten worden veroorzaakt.

Om de VEILIGHEID en BETROUWBAARHEID van het gereedschap te handhaven, dienen alle reparaties, onderhoud of afstellingen te worden uitgevoerd bij een erkend Makita-servicecentrum of de Makita-fabriek, en altijd met gebruik van Makita-vervangingsonderdelen.

Het gereedschap reinigen

Reinig het gereedschap door het stof eraf te vegen met een droge doek of een doek gedoopt in zeepwater en uitgewrongen.

KENNISGEVING: Gebruik nooit benzine, wasbenzine, thinner, alcohol en dergelijke. Hierdoor kunnen verkleuring, vervormingen en barsten worden veroorzaakt.

De messenbladen onderhouden

Voorafgaand aan gebruik, en één keer per uur tijdens gebruik, brengt u olie met een lage viscositeit (machineolie of smeerolie uit een spuitbus) aan op de messenbladen.

► Fig.28

Verwijder na de werkzaamheden het vuil vanaf beide zijden van de messenbladen met behulp van een staalborstel, veeg de messenbladen schoon met een doek, en breng daarna olie met een lage viscositeit (machineolie of smeerolie uit een spuitbus) aan op de messenbladen.

► Fig.29

KENNISGEVING: Was de messenbladen niet met water. Als u dit toch doet, kan het gereedschap gaan roesten of worden beschadigd.

KENNISGEVING: Vuil en roest zorgen voor een buitensporige weerstand tussen de messenbladen en verkorten de gebruiksduur van een acculading.

Opslag

Schuif de schede over de messenbladen zodat deze niet bloot liggen. Bewaar het gereedschap buiten bereik van kinderen. Bewaar het gereedschap op een plaats die niet is blootgesteld aan vocht of regen.

Als het hulpstuk los van het aandrijfsysteem wordt opgeborgen, brengt u de dop aan op het uiteinde van de pijp.

► Fig.30

Bewegende delen smeren

KENNISGEVING: Houd u aan de frequentie en de opgegeven hoeveelheid vet. Als u dat niet doet, kunnen door onvoldoende smering de bewegende delen worden beschadigd.

Aandrijfas:

Vul smeervet (Makita-smeervet N No.2 of gelijkwaardig) bij elke 30 bedrijfsuren.

► Fig.31

OPMERKING: Origineel Makita-smeervet kan worden aangeschaft bij uw plaatselijke Makita-dealer.

Smeren met vet

Smeerinterval: Elke 25 bedrijfsuren

1. Verwijder de bout uit het smeergat.

► Fig.32: 1. Bout

2. Verwijder de dop vanaf de smeervethouder. Lijn de opening van de smeervethouder uit met het gat in de afdekking, en draai daarna de smeervethouder om de opening van de smeervethouder in het gat te bevestigen.

► Fig.33: 1. Smeervethouder 2. Gat

3. Breng het smeervet aan in het gereedschap (ongeveer 3 g als richtlijn).

4. Verwijder de smeervethouder.

5. Draai de bout vast.

De messenbladen slijpen

KENNISGEVING: Als de messenbladen aanzienlijk vervormd zijn door het slijpen, vervangt u de messenbladen door nieuwe.

1. Breng de accu aan op het gereedschap.

2. Schakel het gereedschap in en start het zodat het bovenste messenblad en onderste messenblad versprongen ten opzichte van elkaar staan.

► Fig.34

3. Schakel het gereedschap uit en verwijder de accu vanaf het gereedschap.

4. Stel de hoek van een vijl in op 45° en slijp het bovenste messenblad vanuit 3 richtingen met de vijl.

► Fig.35: (1) Vijl (2) 45°

⚠ LET OP: Alvorens de messenbladen te slijpen, verzekert u zich ervan dat het gereedschap is uitgeschakeld en de accu vanaf het gereedschap is verwijderd.

5. Leg het gereedschap ondersteboven en verwijder daarna de bramen vanaf de messenbladen met behulp van een wetsteen.

► Fig.36: 1. Wetsteen

6. Stel de hoek van de vijl in op 45° en slijp het onderste messenblad vanuit 3 richtingen met de vijl.

7. Leg het gereedschap terug in zijn normale stand en verwijder daarna de bramen vanaf de messenbladen met behulp van een wetsteen.

PROBLEMEN OPLOSSEN

Alvorens u verzoekt om reparatie, kunt u zelf als volgt het probleem opsporen en oplossen. Als u met een probleem kampt dat in deze handleiding niet wordt beschreven, probeer dan niet het gereedschap te demonteren. Laat reparaties over aan een erkend Makita-servicecentrum, uitsluitend met gebruik van originele Makita-ervangingsonderdelen.

Probleemomschrijving	Waarschijnlijke oorzaak (storing)	Oplossing
De motor start niet.	-	Raadpleeg de gebruiksaanwijzing van het aandrijfsysteem.
De motor stopt spoedig.	-	Raadpleeg de gebruiksaanwijzing van het aandrijfsysteem.
Het motortoerental neemt niet toe.	-	Raadpleeg de gebruiksaanwijzing van het aandrijfsysteem.
De messenbladen bewegen niet: ⇒ stop het gereedschap onmiddellijk!	Vreemde voorwerpen zijn vastgelopen tussen de messenbladen.	Schakel het gereedschap uit en verwijder de accu, en verwijder daarna de vreemde voorwerpen met behulp van een tang of ander gereedschap.
	De aandrijving werkt niet goed.	Vraag uw plaatselijke, erkende servicecentrum het gereedschap te repareren.
Abnormale trillingen: ⇒ stop het gereedschap onmiddellijk!	De messenbladen zijn gebroken, verbogen of versleten.	Vervang de messenbladen.
	De aandrijving werkt niet goed.	Vraag uw plaatselijke, erkende servicecentrum het gereedschap te repareren.
De messenbladen en de motor kunnen niet stoppen: ⇒ verwijder de accu onmiddellijk!	Elektrische storing.	Verwijder de accu en vraag uw plaatselijk erkende servicecentrum het gereedschap te repareren.

OPTIONELE ACCESSOIRES

⚠ LET OP: Deze accessoires of hulpstukken worden aanbevolen voor gebruik met het Makita-apparaat dat in deze gebruiksaanwijzing wordt beschreven. Het gebruik van andere accessoires of hulpstukken kan gevaar voor persoonlijke verwonding opleveren. Gebruik accessoires of hulpstukken uitsluitend voor de aangegeven doeleinden.

Wenst u meer bijzonderheden over deze accessoires, neem dan contact op met het plaatselijke Makita-servicecentrum.

- Messenbladen compleet
- Smeervethouder
- Originele Makita-accu en -acculader

OPMERKING: Sommige items op de lijst kunnen zijn inbegrepen in de doos van het product als standaard toebehoren. Deze kunnen van land tot land verschillen.

ESPECIFICACIONES

Modelo:	EN402MP
Longitud de la cuchilla	500 mm
Longitud total	1444 mm
Peso neto	2,4 kg

- Debido a nuestro continuado programa de investigación y desarrollo, las especificaciones aquí dadas están sujetas a cambios sin previo aviso.
- Las especificaciones pueden ser diferentes de país a país.

Unidad motriz homologada

Este accesorio ha sido homologado para ser utilizado solamente con la unidad(es) motriz siguiente:

- DUX60 Herramienta Multifuncional Inalámbrica
- DUX18 Herramienta Multifuncional Inalámbrica
- UX01G Herramienta Multifuncional Inalámbrica

⚠ ADVERTENCIA: No utilice nunca el accesorio con una unidad motriz no homologada. Una combinación no homologada puede ocasionar heridas graves.

Símbolos

A continuación se muestran los símbolos que pueden ser utilizados para el equipo. Asegúrese de que entiende su significado antes de utilizar.

	Lea y siga el manual de instrucciones.
	PELIGRO - Mantenga las manos alejadas de la cuchilla.
	Tenga cuidado con los cables eléctricos. Riesgo de descarga eléctrica.
	Póngase casco de protección, y protección para los ojos y oídos.
	Póngase guantes de protección.
	Utilice botas robustas con suelas antideslizantes.
	Mantenga a los transeúntes y animales alejados al menos 15 m de la herramienta eléctrica.
	Mantenga el área de operación despejada de todas las personas y animales domésticos.



Nivel de potencia del sonido garantizado de acuerdo con la Directiva UE sobre ruido ambiental.



Nivel de potencia del sonido de acuerdo con el reglamento para el control de ruido en NSW, Australia

Uso previsto

Este accesorio ha sido diseñado para la sola finalidad de recortar setos en conjunción con una unidad motriz homologada. No utilice nunca el accesorio para otras finalidades. Abusar del accesorio puede ocasionar heridas graves.

Declaración CE de conformidad

Para países europeos solamente

Nosotros como los fabricantes: **Makita Europe N.V.**, Dirección comercial: **Jan-Baptist Vinkstraat 2 3070 Kortenberg BÉLGICA**. Autorizamos a **Hiroshi Tsujimura** para la compilación del archivo técnico y declaramos ante nuestra sola responsabilidad que el(los) producto(s);
Designación: **Accesorio para Cortasetos**.
Designación de tipo(s): **EN402MP**.
Cumple todas las provisiones pertinentes de **2006/42/CE** y también cumple todas las provisiones pertinentes de las Directivas CE/UE siguientes: **2000/14/CE** y están fabricados de acuerdo con los estándares unificados siguientes: **EN62841-1:2015, EN 62841-4-2:2019, EN ISO 11806-1:2011**.
Lugar y fecha de la declaración: **Kortenberg, Bélgica. 20. 12. 2022**
Persona responsable: **Hiroshi Tsujimura, Director - Makita Europe N.V.**



ADVERTENCIAS DE SEGURIDAD

Advertencias de seguridad para el cortasetos de extensión inalámbrico

1. **Mantenga todas las partes del cuerpo alejadas de la cuchilla. No retire el material cortado o sujete el material que va a cortar cuando las cuchillas estén moviéndose.** Las cuchillas siguen moviéndose después de desactivar el interruptor. Un momento de inatención mientras está operando el cortasetos puede resultar en heridas personales graves.
2. **Transporte el cortasetos agarrándolo por el mango con la cuchilla parada y teniendo cuidado de no activar ningún interruptor de alimentación.** Un transporte correcto del cortasetos disminuirá el riesgo de una puesta en marcha involuntaria que podría resultar en heridas personales con las cuchillas.
3. **Cuando transporte o almacene el cortasetos, coloque siempre la cubierta de las cuchillas.** Un manejo correcto del cortasetos disminuirá el riesgo de heridas personales con las cuchillas.
4. **Cuando retire material atascado o haga el servicio a la unidad, asegúrese de que todos los interruptores de alimentación están desactivados y la batería ha sido retirada o desconectada.** Una puesta en marcha del cortasetos mientras retira material atascado o hace el servicio podrá resultar en heridas personales graves.
5. **Sujete el cortasetos por las superficies de asiento aisladas solamente, porque la cuchilla puede entrar en contacto con cableado oculto.** El contacto de las cuchillas con un cable con corriente hará que la corriente circule por las partes metálicas expuestas del cortasetos y podrá soltar una descarga eléctrica al operario.
6. **Mantenga todos los cables de alimentación y otros cables alejados del área de corte.** Puede haber cables de alimentación u otros cables ocultos en los setos o arbustos y la cuchilla puede cortarlos accidentalmente.
7. **No utilice el cortasetos en malas condiciones meteorológicas, especialmente cuando haya riesgo de relámpagos.** Esto disminuirá el riesgo de sufrir el impacto de un rayo.
8. **Para reducir el riesgo de electrocución, no utilice nunca el cortasetos de extensión cerca de cualquier línea eléctrica.** El contacto con líneas eléctricas o el uso cerca de ellas puede ocasionar heridas graves o una descarga eléctrica resultando en la muerte.
9. **Utilice siempre las dos manos cuando opere el cortasetos de extensión.** Sujete el cortasetos de extensión con ambas manos para evitar la pérdida del control.
10. **Utilice siempre protección para la cabeza cuando opere el cortasetos de extensión en lo alto.** La caída de restos puede resultar en heridas personales graves.

Instrucciones de seguridad adicionales

Preparación

1. **ESTE CORTASETOS PUEDE OCASIONAR HERIDAS GRAVES.** Lea las instrucciones atentamente para manejar, preparar, mantener, poner en marcha y detener la herramienta correctamente. Familiarícese con todos los controles y el uso apropiado de la herramienta.
2. **Compruebe los setos y arbustos por si tienen objetos extraños, tal como cercas alambradas o cables ocultos antes de utilizar la herramienta.**
3. **El cortasetos no debe ser utilizado por niños o personas jóvenes de menos de 18 años de edad.** Las personas jóvenes de más de 16 años de edad pueden excluirse de esta restricción si están recibiendo preparación bajo la supervisión de un experto.
4. **En el caso de una emergencia, apague la herramienta y retire el cartucho de batería inmediatamente.**
5. **PELIGRO - Mantenga las manos alejadas de la cuchilla.** El contacto con la cuchilla provocará heridas personales graves.
6. **A los primerizos, un usuario con experiencia deberá enseñarles cómo utilizar la herramienta.**
7. **Antes de la operación, examine el área de trabajo por si hay cercas alambradas, piedras u otros objetos sólidos.** Pueden dañar las cuchillas.
8. **Utilice el cortasetos solamente si usted se encuentra en buena condición física.** Si está cansado, su atención se reducirá. Tenga cuidado especial al final de la jornada laboral. Realice todo el trabajo con calma y con cuidado. El usuario es responsable de todos los daños causados a terceros.
9. **Antes de comenzar el trabajo, compruebe para asegurarse de que el cortasetos está en buen estado de funcionamiento y que se puede usar con seguridad.** Asegúrese de que los protectores están colocados firmemente. El cortasetos no debe ser utilizado a menos que esté totalmente ensamblado.
10. **Evite los entornos peligrosos.** No utilice la herramienta en lugares húmedos o mojados ni la exponga a la lluvia. La entrada de agua en la herramienta aumentará el riesgo de que se produzca una descarga eléctrica.

Equipo de protección personal

1. **Los guantes de trabajo de cuero resistente son parte del equipo básico del cortasetos y se deben llevar puestos siempre que se trabaje con él.** Póngase también zapatos robustos con suelas antideslizantes.
2. **Póngase protección para los oídos como orejeras para evitar pérdida auditiva.**
3. **Póngase gafas de protección, casco de seguridad y guantes de protección para protegerse de los restos que salen volando u objetos que caigan.**

4. Cuando toque las cuchillas o ajuste el ángulo de las cuchillas, póngase guantes de protección. Las cuchillas pueden cortar las manos desnudas gravemente.

Operación

1. Utilice siempre las dos manos para operar la herramienta. La utilización de solo una mano puede ocasionar la pérdida del control y resultar en heridas personales graves.
2. Mientras opera la herramienta, asegúrese siempre de que la postura de operación es segura y firme. Trabaje con la herramienta donde no se alcanza, particularmente desde una escalera de mano, es sumamente peligroso. No trabaje desde cualquier cosa que se tambalee o no esté bien firme.
3. No se ponga simultáneamente varios arneses de cintura y/o arneses de hombro cuando opere la herramienta.
4. Durante la operación, mantenga a los transeúntes o animales alejados al menos 15 m de la herramienta. Pare la herramienta en cuanto alguien se acerque.
5. Si el implemento de corte golpea cualquier objeto o si la herramienta comienza a hacer un ruido o vibración anormal, apague la herramienta y retire el cartucho de batería inmediatamente y deje que la herramienta se detenga. Y después realice los pasos siguientes:
 - inspeccione por si hay daños
 - compruebe por si hay partes flojas, y apriete cualquier parte aflojada
 - pida que reemplacen o reparen cualquier pieza dañada con piezas de repuesto genuinas.
6. Utilice la herramienta solamente para el propósito que ha sido prevista. No utilice la herramienta para ningún otro propósito.
7. Apague la herramienta y retire el cartucho de batería antes de:
 - limpiarla o cuando despeje un atasco,
 - comprobar, realizar mantenimiento o trabajar en la herramienta,
 - ajustar la posición de trabajo de las cuchillas de tijeras,
 - dejar la herramienta sin atender.
8. Asegúrese de que la herramienta está situada correctamente en una posición de trabajo designada antes de poner en marcha la herramienta.
9. No opere la herramienta con cuchillas de tijeras dañadas o excesivamente gastadas.
10. Esté siempre al tanto de su entorno y alerta por posibles riesgos de los que puede que no esté al tanto debido al ruido de la herramienta.
11. Tenga cuidado de no tocar accidentalmente una valla metálica u otros objetos duros durante la operación. La cuchilla se romperá y podrá ocasionar heridas graves.
12. Evite una puesta en marcha involuntaria. No transporte la herramienta con el cartucho de batería instalado y el dedo en el interruptor. Asegúrese de que el interruptor está desactivado cuando instale el cartucho de batería.

13. No agarre las cuchillas de corte o bordes de corte expuestos cuando recoja o sujete la herramienta.
14. No fuerce la herramienta. Esta hará el trabajo mejor y con menos posibilidad de riesgo de heridas a la potencia para la que ha sido diseñada.
15. No utilice la herramienta en la lluvia ni en condiciones mojadas o muy húmedas. El motor eléctrico no es a prueba de agua.
16. Sujete la herramienta firmemente cuando la esté utilizando.
17. No utilice la herramienta sin carga innecesariamente.
18. Antes de comprobar las cuchillas de tijeras, ocuparse de los fallos, o de retirar objetos extraños enganchados en las cuchillas de tijeras, apague siempre la herramienta y retire el cartucho de batería.
19. No dirija nunca las cuchillas de tijeras hacia usted u otros.
20. Si las cuchillas dejan de moverse debido al atasco de objetos extraños entre las cuchillas durante la operación, apague la herramienta y retire el cartucho de batería, y después retire los objetos extraños utilizando implementos como unos alicates. Retirar los objetos extraños con la mano puede ocasionar heridas por el hecho de que las cuchillas pueden moverse como reacción al retirar los objetos extraños.
21. Cuando coloque o retire la cubierta de las cuchillas, tenga cuidado de no herirse las manos.

Seguridad eléctrica y de la batería

1. Evite los entornos peligrosos. No utilice la herramienta en lugares húmedos o mojados ni la esponja a la lluvia. La entrada de agua en la herramienta aumentará el riesgo de una descarga eléctrica.
2. No deseché la batería(s) arrojándola al fuego. La célula puede explotar. Compruebe los códigos locales por si hay instrucciones para el posible desecho especial.
3. No abra o mutile la batería(s). El electrolito liberado es corrosivo y puede ocasionar daño a los ojos o la piel. Puede ser tóxico si se traga.
4. No cargue la batería bajo la lluvia, o en lugares mojados.
5. No cargue la batería en exteriores.
6. No maneje el cargador, incluida la clavija del cargador, y los terminales del cargador con las manos mojadas.

Mantenimiento y almacenamiento

1. Cuando detenga la herramienta para hacerle el servicio, una inspección o para almacenarla, apáguela y retire el cartucho de batería, y asegúrese de que todas las partes móviles se han detenido. Deje que la herramienta se enfríe antes de hacer cualquier inspección, ajuste, etc.
2. Deje siempre que la herramienta se enfríe antes de almacenarla.
3. Cuando no se esté utilizando, coloque la cubierta de las cuchillas en la herramienta y almacene la herramienta en interiores en un lugar seco y alto, cerrado con llave, fuera del alcance de los niños.

4. Haga el mantenimiento a la herramienta con cuidado. Mantenga el borde de corte afilado y limpio para obtener el mejor rendimiento y para reducir el riesgo de heridas. Siga las instrucciones para lubricar y cambiar los accesorios. Mantenga secas, limpias y libres de aceite y grasa las empuñaduras.
5. Compruebe las partes dañadas. Antes de seguir utilizando la herramienta, cualquier parte que se haya dañado deberá inspeccionarse cuidadosamente para determinar que funcionará debidamente y que realizará la función para la que ha sido prevista. Compruebe la alineación de las partes móviles, la unión de las partes móviles, rotura de partes, montaje, y cualquier otra condición que pueda afectar a su operación. Un protector u otra parte que esté dañada se deberá reparar o reemplazar debidamente en el centro de servicio autorizado.
6. Utilice solamente piezas de repuesto genuinas.
7. Cuando mueva la herramienta a otro lugar, incluyendo durante el trabajo, retire siempre el cartucho de batería y ponga la cubierta de las cuchillas en las cuchillas de tijeras. No transporte ni traslade nunca la herramienta con las cuchillas en movimiento. No agarre nunca las cuchillas con las manos.
8. Limpie la herramienta y especialmente las cuchillas de tijeras después de la utilización, y antes de almacenar la herramienta durante periodos prolongados. Enaceite ligeramente las cuchillas de tijeras y ponga la cubierta de las cuchillas.
9. No deseche la batería(s) arrojándola al fuego. La célula puede explotar. Compruebe los códigos locales por si hay instrucciones para el posible desecho especial.
10. No abra o mutile la batería(s). El electrolito liberado es corrosivo y puede ocasionar daño a los ojos o la piel. Puede ser tóxico si se traga.
11. No cargue la batería bajo la lluvia, o en lugares mojados.

GUARDE ESTAS INSTRUCCIONES.

⚠ADVERTENCIA: NO deje que la comodidad o familiaridad con el producto (a base de utilizarlo repetidamente) sustituya la estricta observancia de las normas de seguridad para el producto en cuestión. El MAL USO o el no seguir las normas de seguridad establecidas en este manual de instrucciones podrá ocasionar heridas personales graves.

DESCRIPCIÓN DE LAS PARTES

- **Fig.1:** 1. Cubierta de las cuchillas 2. Manija de ajuste de ángulo 3. Tapa 4. Cuchillas de tijeras 5. Palanca deslizable 6. Empuñadura delantera

MONTAJE

⚠ADVERTENCIA: Antes de ensamblar o ajustar el equipo, apague el motor y retire el cartucho de batería. De lo contrario, la máquina se podrá poner en marcha involuntariamente y resultar en heridas.

⚠ADVERTENCIA: Cuando ensamble o ajuste el equipo, póngalo siempre en el suelo. Ensamblar o ajustar el equipo en una posición vertical puede resultar en heridas graves.

⚠ADVERTENCIA: Siga las advertencias y precauciones del capítulo "ADVERTENCIAS DE SEGURIDAD" y del manual de instrucciones de la unidad motriz.

Ensamblado del accesorio

1. Retire la tapa del accesorio.
► **Fig.2:** 1. Tapa
2. Inserte el tubo en el accesorio de manera que el agujero del tubo esté alineado con el agujero del accesorio. Apriete firmemente el perno corto primero, y después apriete el perno largo para sujetar el tubo.
► **Fig.3:** 1. Agujero 2. Tubo 3. Perno (corto) 4. Perno (largo)

NOTA: Cuando apriete los pernos, aplique 4,0 - 6,0 N·m como par de apriete.

Montaje del tubo accesorio

⚠PRECAUCIÓN: Compruebe siempre que el tubo accesorio está sujetado después de la instalación. Una instalación incorrecta puede ocasionar que el accesorio se caiga de la unidad motriz y causar heridas personales.

Monte el tubo accesorio en la unidad de alimentación.

1. Retire la tapa del extremo del tubo.
► **Fig.4:** 1. Tubo 2. Tapa

AVISO: No deseche la tapa porque la necesitará para guardar el accesorio.

2. Gire la palanca hacia el accesorio.
► **Fig.5:** 1. Palanca
3. Alinee el pasador con la marca de flecha de la unidad motriz. Inserte el tubo hasta que emerja el botón de liberación.
Asegúrese de que la línea de posición está en la punta de la marca de flecha de la unidad motriz, y la marca de flecha de la unidad motriz y la marca de flecha del tubo están enfrente la una de la otra.
► **Fig.6:** 1. Botón de liberación 2. Marca de flecha de la unidad motriz 3. Pasador 4. Línea de posición 5. Marca de flecha del tubo

4. Gire la palanca hacia la unidad de alimentación.
► **Fig.7:** 1. Palanca

Asegúrese de que la superficie de la palanca está paralela al tubo.

AVISO: No apriete la palanca sin estar insertado el tubo accesorio. De lo contrario la palanca podrá apretar demasiado la entrada del eje motriz y dañarla.

Para retirar el tubo, gire la palanca hacia el accesorio y extraiga el tubo mientras mantiene presionado el botón de liberación.

► **Fig.8:** 1. Botón de liberación 2. Palanca 3. Tubo

Instalación o desmontaje de las cuchillas de tijeras

PRECAUCIÓN: Cuando reemplace las cuchillas de tijeras, póngase siempre guantes de forma que sus manos no entren en contacto directamente con las cuchillas de tijeras.

PRECAUCIÓN: Coloque la cubierta de las cuchillas antes de retirar o instalar las cuchillas de tijeras.

AVISO: Cuando reemplace las cuchillas de tijeras, no limpie la grasa del cigüeñal.

NOTA: Antes de instalar o retirar las cuchillas de tijeras, despliegue el accesorio de forma que quede recto con el tubo.

1. Coloque la cubierta de las cuchillas en las cuchillas de tijeras.
► **Fig.9:** 1. Cubierta de las cuchillas
2. Ponga el accesorio cabeza abajo.
3. Retire los 4 pernos con la llave hexagonal y retire la cubierta y la placa (grande).
► **Fig.10:** 1. Perno 2. Cubierta 3. Placa (grande)
4. Gire el cigüeñal con el destornillador de punta plana de manera que quede posicionado en la dirección mostrada en la figura.
► **Fig.11:** 1. Cigüeñal
5. Retire los 2 pernos.
► **Fig.12:** 1. Perno
6. Retire la almohadilla de fieltro (corta), la almohadilla de fieltro (larga), la placa (pequeña), y los casquillos.
► **Fig.13:** 1. Almohadilla de fieltro (corta) 2. Almohadilla de fieltro (larga) 3. Placa (pequeña) 4. Casquillo
7. Retire las cuchillas de tijeras del accesorio.
► **Fig.14**
8. Retire la cubierta de las cuchillas, y después colóquela en las cuchillas de tijeras nuevas.
9. Retire guardapolvo de las cuchillas de tijeras, y después colóquelo en la posición mostrada en la figura en las cuchillas de tijeras nuevas.
► **Fig.15:** 1. Guardapolvo
10. Inserte el perno retirado en el paso 5 en el agujero de las cuchillas de tijeras a través del agujero de la cubierta de las cuchillas.
► **Fig.16:** 1. Agujero 2. Perno

11. Aplique una pequeña cantidad de grasa al perímetro del cigüeñal. Coloque las cuchillas de tijeras en el accesorio.

► **Fig.17**

12. Coloque los casquillos y la placa (pequeña) en las cuchillas de tijeras, y después apriete el perno.

► **Fig.18:** 1. Perno 2. Placa (pequeña) 3. Casquillo

13. Retire el perno insertado en el agujero de las cuchillas de tijeras en el paso 10, y después apriételo para fijar las cuchillas de tijeras.

14. Coloque la almohadilla de fieltro (corta) y la almohadilla de fieltro (larga).

► **Fig.19:** 1. Almohadilla de fieltro (corta) 2. Almohadilla de fieltro (larga)

15. Coloque la placa (grande) y la cubierta, y después apriete los 4 pernos.

► **Fig.20:** 1. Perno 2. Cubierta 3. Placa (grande)

AVISO: Si las cuchillas de tijeras no funcionan debidamente, las cuchillas no estarán acoplado el cigüeñal debidamente. Retire las cuchillas e instélaslas otra vez.

AVISO: Si hay otras piezas desgastadas aparte de las cuchillas de tijeras tales como el cigüeñal, pregunte en centros de servicio autorizados de Makita por las piezas de repuesto o reparaciones.

DESCRIPCIÓN DEL FUNCIONAMIENTO

PRECAUCIÓN: Asegúrese siempre de que la herramienta está apagada y el cartucho de batería retirado antes de realizar cualquier ajuste o comprobación en la herramienta.

Ajuste del ángulo de corte

PRECAUCIÓN: Asegúrese siempre de que la herramienta está apagada antes de ajustar el ángulo de corte.

El ángulo del cabezal se puede ajustar en 13 pasos. Para cambiar el ángulo del cabezal, siga los pasos de abajo.

1. Sujete la manija de ajuste de ángulo, y después ajuste el ángulo del cabezal mientras tira de la palanca deslizable, y después suelte la palanca deslizable.
► **Fig.21:** 1. Palanca deslizable 2. Manija de ajuste de ángulo
2. Mueva el cabezal ligeramente hasta que se bloquee con un chasquido.

NOTA: Asegúrese de que el cabezal está bloqueado firmemente antes de operar la herramienta.

OPERACIÓN

⚠ADVERTENCIA: Siga las advertencias y precauciones del capítulo “ADVERTENCIAS DE SEGURIDAD” y del manual de instrucciones de la unidad motriz.

Operación de la herramienta

⚠ADVERTENCIA: No utilice la herramienta cerca de ninguna línea eléctrica. El contacto con líneas eléctricas o el uso de la herramienta cerca de ellas puede ocasionar heridas graves o una descarga eléctrica resultando en la muerte.

⚠ADVERTENCIA: Mantenga las manos alejadas de las cuchillas de tijeras.

⚠ADVERTENCIA: Tenga mucho cuidado de mantener el control de la herramienta en todo momento. No permita que la herramienta se desvíe hacia usted o hacia cualquiera que se encuentre cerca de usted. No mantener el control de la herramienta puede resultar en heridas graves a los transeúntes y el operario.

⚠PRECAUCIÓN: Evite operar la herramienta en tiempo muy cálido tanto como sea práctico. Cuando utilice la herramienta, tenga cuidado de su condición física.

⚠PRECAUCIÓN: Tenga cuidado de no hacer contacto accidental con una valla de metal u otros objetos duros mientras recorta. Las cuchillas de tijeras podrán romperse y ocasionar heridas.

⚠PRECAUCIÓN: Tenga cuidado de no permitir que las cuchillas de tijeras entren en contacto con el suelo. La herramienta podrá recular y ocasionar heridas.

⚠PRECAUCIÓN: Recortar con un cortasetos donde no se alcanza, particularmente desde una escalera, es extremadamente peligroso. No trabaje mientras está subido en cualquier cosa tambaleante o inestable.

AVISO: No intente cortar ramas más gruesas de 10 mm de diámetro con la herramienta. Corte las ramas a 10 cm por debajo de la altura de corte utilizando cortadores de ramas antes de utilizar la herramienta.

► Fig.22: (1) Altura de corte (2) 10 cm

AVISO: No tale árboles muertos u objetos duros similares. Si lo hace podrá dañar la herramienta.

AVISO: No recorte hierba o maleza mientras utiliza las cuchillas de tijeras. Las cuchillas de tijeras podrán enredarse en la hierba o maleza.

Sujete la herramienta con ambas manos agarrando el mango delantero de la unidad motriz o la empuñadura delantera del accesorio y la empuñadura trasera de la unidad motriz.

► Fig.23: 1. Mango delantero 2. Empuñadura trasera

Apriete el gatillo interruptor mientras presiona la palanca de desbloqueo, y después mueva la herramienta hacia delante.

► Fig.24

Para operación básica, incline las cuchillas de tijeras hacia la dirección de recorte y muévalas con calma y despacio a una velocidad de 3 a 4 segundos por metro.

► Fig.25

Para cortar el costado de un seto uniformemente, corte desde abajo hacia arriba.

► Fig.26

Cuando recorte para hacer una forma redonda (recorte de boj o rododendro, etc.), recorte desde la raíz hacia la parte superior para obtener un bonito acabado.

► Fig.27

MANTENIMIENTO

⚠ADVERTENCIA: Antes de inspeccionar o hacer el mantenimiento al equipo, apague el motor y retire el cartucho de batería. De lo contrario, la máquina se podrá poner en marcha involuntariamente y resultar en heridas graves.

⚠ADVERTENCIA: Cuando inspeccione o haga el mantenimiento al equipo, póngalo siempre en el suelo. Ensambalar o ajustar el equipo en una posición vertical puede resultar en heridas graves.

⚠ADVERTENCIA: Siga las advertencias y precauciones del capítulo “ADVERTENCIAS DE SEGURIDAD” y del manual de instrucciones de la unidad motriz.

⚠PRECAUCIÓN: Póngase guantes cuando realice la inspección o el mantenimiento.

AVISO: No utilice nunca gasolina, bencina, disolvente, alcohol o similares. Podría producir descoloración, deformación o grietas.

Para mantener la SEGURIDAD y FIABILIDAD del producto, las reparaciones, y cualquier otra tarea de mantenimiento o ajuste deberán ser realizadas en centros de servicio o de fábrica autorizados por Makita, empleando siempre repuestos Makita.

Limpieza de la herramienta

Limpie la herramienta quitando el polvo con un paño seco o uno sumergido en agua jabonosa y escurrido.

AVISO: No utilice nunca gasolina, bencina, disolvente, alcohol o similares. Podría producir descoloración, deformación o grietas.

Mantenimiento de las cuchillas de tijeras

Antes de la operación o una vez por hora durante la operación, aplique aceite de baja viscosidad (aceite para máquinas, o aceite de lubricación de tipo aerosol) a las cuchillas de tijeras.

► Fig.28

Después de la operación, retire el polvo de ambas caras de las cuchillas de tijeras con un cepillo de alambres, limpie las cuchillas con un paño y después aplique aceite de baja viscosidad (aceite para máquinas, o aceite de lubricación de tipo aerosol) a las cuchillas de tijeras.

► Fig.29

AVISO: No lave las cuchillas de tijeras en agua.

Si lo hace podrá ocasionar oxidación o daño a la herramienta.

AVISO: La suciedad y la corrosión ocasionan una fricción excesiva de la cuchilla y acortan el tiempo de operación por cada carga de batería.

Almacenamiento

Coloque la cubierta de las cuchillas en las cuchillas de tijeras de forma que las cuchillas no queden expuestas. Guarde la herramienta alejada del alcance de los niños. Almacene la herramienta en un lugar no expuesto a la humedad o la lluvia.

Cuando almacene el accesorio separado de la unidad motriz, ponga la tapa en el extremo del tubo.

► Fig.30

Lubricación de las partes móviles

AVISO: Siga las instrucciones para la frecuencia y cantidad de grasa a suministrar. De lo contrario una lubricación insuficiente podrá dañar las partes móviles.

Eje propulsor:

Aplique grasa (Grasa Makita N No.2 o equivalente) cada 30 horas de operación.

► Fig.31

NOTA: Puede comprar grasa genuina de Makita en su distribuidor Makita local.

Lubricación con grasa

Intervalo de lubricación: Cada 25 horas de operación

1. Retire el perno del agujero para lubricación.

► Fig.32: 1. Perno

2. Retire la tapa del tubo de grasa. Alinee la salida del tubo de grasa con el agujero de la cubierta, y después gire el tubo de grasa para colocar la salida del tubo de grasa en el agujero.

► Fig.33: 1. Tubo de grasa 2. Agujero

3. Aplique la grasa a la herramienta (aproximadamente 3 g a modo de guía).

4. Retire el tubo de grasa.

5. Apriete el perno.

Afilado de las cuchillas de tijeras

AVISO: Si las cuchillas de tijeras se han deformado considerablemente debido al afilado, reemplace las cuchillas de tijeras con unas nuevas.

1. Instale el cartucho de batería en la herramienta.

2. Encienda y ponga en marcha la herramienta de manera que la cuchilla superior y la cuchilla inferior estén posicionadas alternativamente.

► Fig.34

3. Apague la herramienta y retire el cartucho de batería de la herramienta.

4. Ajuste el ángulo de la lima a 45°, y afile la cuchilla superior desde 3 direcciones con la lima.

► Fig.35: (1) Lima (2) 45°

PRECAUCIÓN: Antes de afilar las cuchillas de tijeras, asegúrese de que la herramienta está apagada y el cartucho de batería retirado de la herramienta.

5. Coloque la herramienta cabeza abajo, y después retire las rebabas de las cuchillas de tijeras con la piedra de acondicionamiento.

► Fig.36: 1. Piedra de acondicionamiento

6. Ajuste el ángulo de la lima a 45°, y afile la cuchilla inferior desde 3 direcciones con la lima.

7. Vuelva a colocar la herramienta en la posición normal, y después retire las rebabas de las cuchillas de tijeras con la piedra de acondicionamiento.

SOLUCIÓN DE PROBLEMAS

Antes de solicitar reparaciones, realice su propia inspección en primer lugar. Si encuentra un problema que no está explicado en el manual, no intente desmontar la herramienta. En su lugar, pregunte en los centros de servicio autorizados Makita, utilizando siempre piezas de recambio Makita para las reparaciones.

Estado de anomalía	Causa probable (mal funcionamiento)	Remedio
El motor no arranca.	-	Consulte el manual de instrucciones de la unidad motriz.
El motor se para enseguida.	-	Consulte el manual de instrucciones de la unidad motriz.
La velocidad del motor no aumenta.	-	Consulte el manual de instrucciones de la unidad motriz.
Las cuchillas de tijeras no se mueven: ⇒ ¡detenga la máquina inmediatamente!	Hay objetos extraños enganchados entre las cuchillas de tijeras.	Apague la herramienta y retire el cartucho de batería, y después retire los objetos extraños utilizando utensilios como alicates.
	El sistema de accionamiento no funciona correctamente.	Pida a su centro de servicio autorizado local que le hagan la reparación.
Vibración anormal: ⇒ ¡detenga la máquina inmediatamente!	Las cuchillas de tijeras están rotas, torcidas o gastadas.	Reemplace las cuchillas de tijeras.
	El sistema de accionamiento no funciona correctamente.	Pida a su centro de servicio autorizado local que le hagan la reparación.
Las cuchillas de tijeras y el motor no se pueden parar: ⇒ ¡Retire la batería inmediatamente!	Mal funcionamiento eléctrico.	Retire la batería y pida a su centro de servicio autorizado local que le hagan la reparación.

ACCESORIOS OPCIONALES

⚠PRECAUCIÓN: Estos accesorios o acoplamientos están recomendados para utilizar con su máquina Makita especificada en este manual. La utilización de cualquier otro accesorio o acoplamiento puede presentar un riesgo de heridas a personas. Utilice los accesorios o acoplamientos solamente para su fin establecido.

Si necesita cualquier ayuda para más detalles en relación con estos accesorios, pregunte al centro de servicio Makita local.

- Conjunto de cuchilla de tijeras
- Tubo de grasa
- Batería y cargador genuinos de Makita

NOTA: Algunos elementos de la lista podrán estar incluidos en el paquete del producto como accesorios estándar. Pueden variar de un país a otro.

ESPECIFICAÇÕES

Modelo:	EN402MP
Comprimento da lâmina	500 mm
Comprimento total	1444 mm
Peso bruto	2,4 kg

- Devido a um programa contínuo de pesquisa e desenvolvimento, estas especificações podem ser alteradas sem aviso prévio.
- As especificações podem variar de país para país.

Unidade de alimentação aprovada



Este implemento foi aprovado para utilização apenas com a(s) seguinte(s) unidade(s) de alimentação:

- Ferramenta multifuncional a bateria DUX60
- Ferramenta multifuncional a bateria DUX18
- Ferramenta multifuncional a bateria UX01G

⚠️ AVISO: Nunca utilize o implemento com uma unidade de alimentação não aprovada. A combinação não aprovada pode provocar ferimentos graves.

Símbolos

A seguir são apresentados os símbolos que podem ser utilizados para o equipamento. Certifique-se de que compreende o seu significado antes da utilização.

	Leia e siga o manual de instruções.
	PERIGO - Mantenha as mãos afastadas da lâmina.
	Tenha cuidado com as linhas elétricas. Risco de choque elétrico.
	Use capacete de proteção, proteção ocular e auricular.
	Use luvas de proteção.
	Use botas resistentes com solas antidesslizantes.
	Mantenha os espectadores e animais a, pelo menos, 15m(50ft) de distância da ferramenta elétrica.
	Mantenha a área de operação livre de todas as pessoas e animais.



Nível de potência sonora garantido de acordo com a Diretiva de ruído ambiente da UE.



Nível de potência sonora de acordo com o Regulamento de controlo do ruído de NSW da Austrália

Utilização a que se destina

Este implemento foi concebido apenas para o fim de aparar sebes em conjunto com uma unidade de alimentação aprovada. Nunca utilize o implemento para outros fins. A utilização abusiva do implemento pode provocar ferimentos graves.

Declaração de conformidade da CE

Apenas para os países europeus

Nós, na qualidade de fabricantes: **Makita Europe N.V.**, Endereço comercial: **Jan-Baptist Vinkstraat 2 3070 Kortenberg BÉLGICA**. Autorizamos **Hiroshi Tsujimura** a compilar o ficheiro técnico e declaramos, mediante a nossa única responsabilidade, que o(s) produto(s);
 Designação: **Implemento Aparador de Cerca Viva**.
 Designação do(s) tipo(s): **EN402MP**.
 Estão em conformidade com todas as disposições relevantes da **2006/42/CE**, bem como também cumprem todas as disposições relevantes das seguintes Diretivas da CE/UE: **2000/14/CE** e são fabricados de acordo com as seguintes Normas Harmonizadas: **EN62841-1:2015, EN 62841-4-2:2019, EN ISO 11806-1:2011**.
 Local e data da declaração: **Kortenberg, Bélgica. 20. 12. 2022**
 Pessoa responsável: **Hiroshi Tsujimura, Diretor - Makita Europe N.V.**



AVISOS DE SEGURANÇA

Avisos de segurança para o aparador de cerca viva a bateria

- 1. Mantenha todas as partes do corpo afastadas da lâmina. Não remova material cortado nem segure material a cortar quando as lâminas estiverem em movimento.** As lâminas continuam a mover-se depois de desligar o interruptor. Um momento de desatenção durante a operação do aparador de cerca viva pode resultar em ferimentos pessoais graves.
- 2. Transporte o aparador de cerca viva segurando a pega com a lâmina imobilizada e tendo cuidado para não operar qualquer interruptor de alimentação.** O transporte apropriado do aparador de cerca viva reduz o risco de arranques inadvertidos e consequentes ferimentos pessoais provocados pelas lâminas.
- 3. Quando transportar ou guardar o aparador de cerca viva, coloque sempre a tampa da lâmina.** O manuseamento apropriado do aparador de cerca viva reduz o risco de ferimentos pessoais provocados pelas lâminas.
- 4. Ao limpar material encravado ou ao realizar a manutenção da unidade, certifique-se de que todos os interruptores de alimentação estão desligados e que o conjunto de baterias foi removido ou está desligado.** A atuação inesperada do aparador de cerca viva, ao limpar material encravado ou ao realizar a manutenção, pode resultar em ferimentos pessoais graves.
- 5. Segure o aparador de cerca viva apenas pelas superfícies de agarrar isoladas, porque a lâmina poderá tocar em fios ocultos.** As lâminas que tocam num fio sob tensão poderão colocar sob tensão as peças metálicas expostas do aparador de cerca viva e podem provocar um choque elétrico no operador.
- 6. Mantenha todos os cabos de alimentação afastados da área de corte.** Os cabos de alimentação podem estar ocultos em sebes ou arbustos e podem ser acidentalmente cortados pela lâmina.
- 7. Não utilize o aparador de cerca viva em más condições atmosféricas, especialmente quando existe o risco de relâmpagos.** Isto reduz o risco de ser atingido por um relâmpago.
- 8. Para reduzir o risco de eletrocussão, nunca utilize o aparador de cerca viva junto de linhas elétricas.** O contacto com, ou a utilização junto de, linhas elétricas pode causar ferimentos graves ou um choque elétrico que resulte em morte.
- 9. Utilize sempre as duas mãos quando utilizar o aparador de cerca viva.** Segure o aparador de cerca viva com as duas mãos para evitar a perda de controlo.
- 10. Utilize sempre proteção para a cabeça quando utilizar o aparador de cerca viva acima da cabeça.** A queda de detritos pode resultar em ferimentos pessoais graves.

Instruções de segurança adicionais

Preparação

- 1. ESTE APARADOR DE CERCA VIVA PODE PROVOCAR FERIMENTOS GRAVES.** Leia atentamente as instruções para o manuseamento, a preparação, a manutenção, o arranque e a paragem corretos da ferramenta. Familiarize-se com todos os controlos e a utilização adequada da ferramenta.
- 2. Verifique as sebes e os arbustos quanto a objetos estranhos, tais como cercas de arame ou fios ocultos antes de utilizar a ferramenta.**
- 3. O aparador de cerca viva não deve ser utilizado por crianças ou jovens com idade inferior a 18 anos.** Os jovens com mais de 16 anos poderão estar isentos desta restrição se estiverem a receber formação sob a supervisão de um utilizador experiente.
- 4. Caso ocorra uma emergência, desligue a ferramenta e remova a bateria imediatamente.**
- 5. PERIGO - Mantenha as mãos afastadas da lâmina.** O contacto com a lâmina resultará em lesões físicas graves.
- 6. As pessoas que utilizam a ferramenta pela primeira vez devem ser instruídas por um utilizador experiente capaz de lhes demonstrar como utilizar a ferramenta.**
- 7. Antes da operação, examine a área de trabalho para ver se há cercas de arame, pedras ou outros objetos sólidos.** Estes podem danificar as lâminas.
- 8. Utilize o aparador de cerca viva apenas se estiver em boas condições físicas.** Se estiver cansado, a sua atenção será reduzida. Tenha especial atenção no final de um dia de trabalho. Realize todo o trabalho com calma e cuidado. O utilizador é responsável por todos os danos causados a terceiros.
- 9. Antes de iniciar o trabalho, verifique se o aparador apresenta condições de trabalho adequadas e seguras.** Assegure que os resguardos estão corretamente instalados. O aparador de cerca viva não deve ser utilizado se não estiver completamente montado.
- 10. Evite ambientes perigosos.** Não utilize a ferramenta em locais húmidos ou molhados, nem a exponha à chuva. A água que entra na ferramenta aumenta o risco de choque elétrico.

Equipamento de proteção pessoal

- 1. As luvas de trabalho de couro robusto fazem parte do equipamento básico do aparador de cerca viva e têm de ser sempre usadas quando trabalhar com esta ferramenta.** Use sempre calçado robusto com solas antidesslizantes.
- 2. Use proteção auditiva, tais como tampões para os ouvidos, para evitar a perda de audição.**
- 3. Use óculos de proteção, capacete de proteção e luvas de proteção para proteger-se contra detritos arremessados ou queda de objetos.**
- 4. Use luvas de proteção quando tocar nas lâminas ou ajustar o ângulo da lâmina.** As lâminas podem cortar as mãos gravemente.

Operação

1. **Utilize sempre as duas mãos para operar a ferramenta.** A utilização de uma mão pode provocar a perda de controlo e resultar em ferimentos pessoais graves.
2. **Enquanto opera a ferramenta, certifique-se sempre de que a posição de operação é segura e estável.** Esticar-se para alcançar um local com a ferramenta, particularmente desde uma escada, é extremamente perigoso. Não trabalhe a partir de um suporte trêmulo ou instável.
3. **Não utilize simultaneamente vários arneses para o cinto e/ou arneses para o ombro quando operar a ferramenta.**
4. **Durante a operação, mantenha os espetadores ou animais a, pelo menos, 15 m de distância da ferramenta.** Pare a ferramenta assim que alguém se aproximar.
5. **Se a ferramenta de corte bater em algum objeto ou se a ferramenta começar a fazer um ruído ou uma vibração fora do normal, desligue a ferramenta e remova a bateria imediatamente, e deixe a ferramenta parar. Em seguida, realize os passos seguintes:**
 - inspecione quanto a danos,
 - verifique se há peças soltas e aperte-as,
 - solicite a substituição de quaisquer peças danificadas por peças sobressalentes genuínas ou a respetiva reparação com peças sobressalentes genuínas.
6. **Utilize apenas a ferramenta para a respetiva finalidade pretendida. Não utilize a ferramenta para qualquer outra finalidade.**
7. **Desligue a ferramenta e remova a bateria antes de:**
 - limpar ou ao desimpedir um bloqueio,
 - verificar, realizar a manutenção ou trabalhar na ferramenta,
 - ajustar a posição de trabalho das lâminas de corte,
 - deixar a ferramenta sem supervisão.
8. **Certifique-se de que a ferramenta está corretamente localizada numa posição de trabalho designada antes de arrancar a ferramenta.**
9. **Não opere a ferramenta com lâminas de corte danificadas ou excessivamente desgastadas.**
10. **Esteja sempre atento à área circundante e mantenha-se alerta quanto a possíveis perigos dos quais pode não estar ciente devido ao ruído da ferramenta.**
11. **Tenha cuidado para não tocar acidentalmente numa cerca de metal ou noutros objetos duros durante a operação.** A lâmina parte-se e pode causar ferimentos graves.
12. **Evite o arranque involuntário. Não transporte a ferramenta quando a bateria está instalada e com o dedo no interruptor. Certifique-se de que o interruptor está desligado quando instalar a bateria.**
13. **Não agarre as lâminas de corte expostas nem os bordos cortantes quando levantar ou segurar a ferramenta.**
14. **Não force a ferramenta.** Fará o trabalho melhor e com menor probabilidade de risco de ferimentos à velocidade para a qual foi concebida.
15. **Não utilize a ferramenta sob precipitação nem em condições chuvosas ou de muita humidade.** O motor elétrico não é estanque.
16. **Agarre a ferramenta com firmeza durante a sua utilização.**
17. **Não opere a ferramenta sem carga desnecessariamente.**
18. **Antes de verificar as lâminas de corte, reparar avarias ou remover objetos estranhos presos nas lâminas de corte, desligue sempre a ferramenta e remova a bateria.**
19. **Nunca aponte as lâminas de corte na sua direção ou na direção de terceiros.**
20. **Se as lâminas pararem devido ao encravamento de objetos estranhos entre as lâminas durante o funcionamento, desligue a ferramenta e remova a bateria e, em seguida, remova os objetos estranhos utilizando ferramentas, tais como um alicate.** A remoção manual dos objetos estranhos pode causar ferimentos, uma vez que as lâminas podem mover-se como reação à remoção dos objetos estranhos.
21. **Quando prender ou remover a cobertura da lâmina, tenha cuidado para não ferir as mãos.**

Segurança elétrica e da bateria

1. **Evite ambientes perigosos. Não utilize a ferramenta em locais húmidos ou molhados, nem a exponha à chuva.** A água que entra na ferramenta aumenta o risco de choque elétrico.
2. **Não elimine a(s) bateria(s) no fogo.** A célula pode explodir. Verifique com os códigos locais as possíveis instruções de eliminação especiais.
3. **Não abra nem mutile a(s) bateria(s).** O eletrólito libertado é corrosivo e pode provocar danos nos olhos ou na pele. Pode ser tóxico se for engolido.
4. **Não carregue a bateria sob chuva ou em locais húmidos.**
5. **Não carregue a bateria ao ar livre.**
6. **Não toque no carregador, incluindo a ficha do carregador e os terminais do carregador, com as mãos molhadas.**

Manutenção e armazenamento

1. **Quando a ferramenta estiver parada para manutenção, inspeção ou armazenamento, desligue a ferramenta e remova a bateria, e certifique-se de que todas as peças móveis param.** Deixe a ferramenta arrefecer antes de realizar quaisquer inspeções, ajustes, etc.
2. **Deixe sempre a ferramenta arrefecer antes do armazenamento.**
3. **Quando não estiver em utilização, prenda a tampa da lâmina na ferramenta e guarde a ferramenta num local interior, seco, alto e trancado, longe do alcance das crianças.**
4. **Conserve a ferramenta com cuidado. Mantenha o bordo cortante afiado e limpo para obter um melhor desempenho e para reduzir o risco de ferimentos. Siga as instruções para lubrificar e substituir acessórios. Mantenha os punhos secos, limpos e sem óleo ou massa lubrificante.**

5. Verifique as peças danificadas. Antes de continuar a utilizar a ferramenta, qualquer peça danificada deve ser cuidadosamente verificada para determinar se funcionará adequadamente e realizará a função pretendida. Verifique o alinhamento das peças móveis, a união das peças móveis, a quebra de peças, a montagem e quaisquer outras condições que possam afetar o seu funcionamento. Um resguardo ou outra peça que estejam danificados devem ser reparados adequadamente ou substituídos pelo seu centro de assistência autorizado.
6. Utilize apenas peças sobressalentes genuínas.
7. Quando mover a ferramenta para outro local, incluindo durante o trabalho, remova sempre a bateria e coloque a tampa da lâmina nas lâminas de corte. Nunca carregue nem transporte a ferramenta com as lâminas em funcionamento. Nunca agarre as lâminas com as mãos.
8. Limpe a ferramenta, e especialmente as lâminas de corte, após a utilização e antes de armazenar a ferramenta por períodos prolongados. Lubrifique ligeiramente as lâminas de corte e coloque a tampa da lâmina.
9. Não elimine a(s) bateria(s) no fogo. A célula pode explodir. Verifique com os códigos locais as possíveis instruções de eliminação especiais.
10. Não abra nem mutila a(s) bateria(s). O eletrólito libertado é corrosivo e pode provocar danos nos olhos ou na pele. Pode ser tóxico se for engolido.
11. Não carregue a bateria sob chuva ou em locais húmidos.

GUARDE ESTAS INSTRUÇÕES.

⚠️ AVISO: NÃO permita que conforto ou familiaridade com o produto (adquirido com o uso repetido) substitua a aderência estrita às regras de segurança da ferramenta. **MÁ INTERPRETAÇÃO** ou não seguimento das regras de segurança estabelecidas neste manual de instruções pode causar danos pessoais sérios.

DESCRIÇÃO DAS PEÇAS

- **Fig.1:** 1. Tampa da lâmina 2. Pega de ajuste de ângulo 3. Tampa 4. Lâminas de corte 5. Alavanca deslizante 6. Punho dianteiro

MONTAGEM

⚠️ AVISO: Antes de montar ou ajustar o equipamento, desligue o motor e remova a bateria. Caso contrário, a máquina pode arrancar não intencionalmente e provocar ferimentos.

⚠️ AVISO: Quando montar ou regular o equipamento, **ponha-o sempre**. A montagem ou regulação do equipamento numa posição vertical pode resultar em ferimentos graves.

⚠️ AVISO: Siga os avisos e precauções no capítulo "AVISOS DE SEGURANÇA" e o manual de instruções da unidade de alimentação.

Montar o implemento

1. Remova a tampa do implemento.
► **Fig.2:** 1. Tampa
2. Insira o tubo no implemento de modo que o orifício no tubo fique alinhado com o orifício no implemento. Aperte firmemente o perno curto primeiro e, em seguida, aperte o perno comprido para fixar o tubo.
► **Fig.3:** 1. Orifício 2. Tubo 3. Perno (curto) 4. Perno (comprido)

NOTA: Quando apertar os pernos, aplique 4,0 - 6,0 N·m como binário de aperto.

Montar o tubo de fixação

⚠️ PRECAUÇÃO: Verifique sempre se o tubo de fixação está fixo após a instalação. A instalação incorreta pode causar a queda do implemento da unidade de alimentação e causar ferimentos.

Montar o tubo de fixação na unidade de alimentação.

1. Remova a tampa da extremidade do tubo.
► **Fig.4:** 1. Tubo 2. Tampa

⚠️ OBSERVAÇÃO: Não elimine a tampa, pois a tampa é necessária para armazenar o acessório.

2. Rode a alavanca em direção ao implemento.
► **Fig.5:** 1. Alavanca
3. Alinhe o pino com a marca da seta na unidade de alimentação. Insira o tubo até o botão de libertação sair.

Certifique-se de que a linha de posição está localizada na ponta da marca da seta na unidade de alimentação e que a marca da seta na unidade de alimentação e a marca da seta no tubo estão viradas uma para a outra.

- **Fig.6:** 1. Botão de libertação 2. Marca da seta na unidade de alimentação 3. Pino 4. Linha de posição 5. Marca da seta no tubo

4. Rode a alavanca em direção à unidade de alimentação.
► **Fig.7:** 1. Alavanca

Certifique-se de que a superfície da alavanca está paralela ao tubo.

⚠️ OBSERVAÇÃO: Não aperte a alavanca sem que o tubo de fixação esteja inserido. Caso contrário, a alavanca pode apertar demasiado a entrada do eixo de acionamento e danificá-lo.

Para remover o tubo, rode a alavanca na direção do implemento e puxe o tubo para fora, pressionando ao mesmo tempo o botão de libertação para baixo.

- **Fig.8:** 1. Botão de libertação 2. Alavanca 3. Tubo

Instalar ou remover as lâminas de corte

⚠️ PRECAUÇÃO: Quando substituir as lâminas de corte, use sempre luvas, de modo a que as suas mãos não fiquem em contacto direto com as lâminas.

⚠️ PRECAUÇÃO: Acople a tampa da lâmina antes de remover ou instalar as lâminas de corte.

OBSERVAÇÃO: Quando substituir as lâminas de corte, não limpe a massa lubrificante da manivela.

NOTA: Antes de instalar ou remover as lâminas de corte, desdobre o implemento de modo que este fique reto ao tubo.

1. Prensada a tampa da lâmina nas lâminas de corte.
▶ **Fig.9:** 1. Tampa da lâmina
2. Coloque o implemento virado para baixo.
3. Remova 4 parafusos com a chave hexagonal e remova a tampa e a chapa (grande).
▶ **Fig.10:** 1. Perno 2. Tampa 3. Chapa (grande)
4. Rode a manivela com a chave de fendas de ponta achatada, de modo que a manivela fique posicionada na direção conforme apresentado na figura.
▶ **Fig.11:** 1. Manivela
5. Remova 2 parafusos.
▶ **Fig.12:** 1. Perno
6. Remova a base de feltro (curta), a base de feltro (comprida), a chapa (pequena) e as mangas.
▶ **Fig.13:** 1. Base de feltro (curta) 2. Base de feltro (comprida) 3. Chapa (pequena) 4. Manga
7. Remova as lâminas de corte do implemento.
▶ **Fig.14**
8. Remova a tampa da lâmina e, em seguida, prensada-a às lâminas de corte novas.
9. Remova a proteção do pé das lâminas de corte e, em seguida, prensada-a na posição apresentada na figura nas lâminas de corte novas.
▶ **Fig.15:** 1. Proteção do pé
10. Insira o parafuso removido no passo 5 no orifício nas lâminas de corte através do orifício na cobertura da lâmina.
▶ **Fig.16:** 1. Orifício 2. Perno
11. Aplique uma pequena quantidade de massa lubrificante na periferia da manivela. Prensada as lâminas de corte no implemento.
▶ **Fig.17**
12. Prensada as mangas, a chapa (pequena) nas lâminas de corte e, em seguida, aperte o parafuso.
▶ **Fig.18:** 1. Perno 2. Chapa (pequena) 3. Manga
13. Remova o parafuso inserido no orifício nas lâminas de corte no passo 10 e, em seguida, aperte-o para fixar as lâminas de corte.
14. Prensada a base de feltro (curta) e a base de feltro (comprida).
▶ **Fig.19:** 1. Base de feltro (curta) 2. Base de feltro (comprida)

15. Prensada a chapa (grande) e a tampa e, em seguida, aperte 4 parafusos.

▶ **Fig.20:** 1. Perno 2. Tampa 3. Chapa (grande)

OBSERVAÇÃO: Se as lâminas de corte não operarem corretamente, as lâminas não estão a engatar corretamente na manivela. Remova as lâminas e instale-as novamente.

OBSERVAÇÃO: Se as peças além das lâminas de corte, tais como a manivela estiverem desgastadas, solicite substituições de peças ou reparações aos centros de assistência autorizados da Makita.

DESCRIÇÃO FUNCIONAL

⚠️ PRECAUÇÃO: Certifique-se sempre de que a ferramenta está desligada e a bateria foi retirada antes de regular ou verificar qualquer função na ferramenta.

Ajustar o ângulo de corte

⚠️ PRECAUÇÃO: Certifique-se sempre de que a ferramenta está desligada antes de ajustar o ângulo de corte.

O ângulo da cabeça pode ser ajustado em 13 passos. Para alterar o ângulo da cabeça, siga os passos seguintes.

1. Segure a pega de ajuste de ângulo e, em seguida, ajuste o ângulo da cabeça enquanto puxa a alavanca deslizante e, em seguida, solte a alavanca deslizante.
▶ **Fig.21:** 1. Alavanca deslizante 2. Pega de ajuste de ângulo
2. Mova a cabeça ligeiramente até ficar bloqueada com um clique.

NOTA: Certifique-se de que a cabeça está firmemente bloqueada antes de utilizar a ferramenta.

OPERAÇÃO

⚠️ AVISO: Siga os avisos e precauções no capítulo “AVISOS DE SEGURANÇA” e o manual de instruções da unidade de alimentação.

Operar a ferramenta

⚠️ AVISO: Não utilize a ferramenta junto de linhas elétricas. O contacto com linhas elétricas ou a utilização da ferramenta junto de linhas elétricas pode causar ferimentos graves ou um choque elétrico que resulte em morte.

⚠️ AVISO: Mantenha as mãos afastadas das lâminas de corte.

⚠️ AVISO: Tenha extremo cuidado para manter o controlo da ferramenta em todos os momentos. Não permita que a ferramenta se desvie na sua direção ou na de outras pessoas nas proximidades do trabalho. Se não conseguir manter o controlo da ferramenta, pode provocar ferimentos graves nos espetadores e no operador.

⚠️PRECAUÇÃO: Evite operar a ferramenta em condições atmosferas muito quentes tanto quanto seja possível. Quando operar a ferramenta, tenha cuidado com a sua condição física.

⚠️PRECAUÇÃO: Tenha cuidado para não tocar acidentalmente numa cerca de metal ou noutro objeto duro enquanto estiver a aparar. As lâminas de corte podem partir e causar ferimentos.

⚠️PRECAUÇÃO: Tenha cuidado para não deixar que as lâminas de corte toquem no solo. A ferramenta pode recuar e causar ferimentos.

⚠️PRECAUÇÃO: Esticar-se para alcançar um local com o aparador de cerca viva, particularmente desde uma escada, é extremamente perigoso. Não trabalhe se estiver posicionado sobre um suporte trêmulo ou instável.

OBSERVAÇÃO: Não tente cortar ramos mais grossos do que 10 mm de diâmetro com a ferramenta. Apare ramos 10 cm mais baixo do que a altura de corte utilizando lâminas para ramos antes de utilizar a ferramenta.

► Fig.22: (1) Altura de corte (2) 10 cm

OBSERVAÇÃO: Não corte árvores secas ou objetos duros similares. Ao fazê-lo pode causar danos na ferramenta.

OBSERVAÇÃO: Não apare a relva ou ervas enquanto estiver a utilizar as lâminas de corte. As lâminas de corte poderão ficar emaranhadas na relva ou nas ervas.

Segure a ferramenta com as duas mãos, segurando na pega dianteira da unidade de alimentação ou no punho dianteiro do implemento e o punho traseiro da unidade de alimentação.

► Fig.23: 1. Pega dianteira 2. Punho traseiro

Puxe o gatilho do interruptor enquanto pressiona a alavanca de desbloqueio e, em seguida, mova a ferramenta para a frente.

► Fig.24

Para o funcionamento básico, incline as lâminas de corte em direção ao sentido de aparar e mova-as calma e lentamente à velocidade de 3 a 4 segundos por metro.

► Fig.25

Para cortar o lado de uma cerca uniformemente, corte a partir da parte inferior até ao topo.

► Fig.26

Quando aparar para moldar uma forma redonda (aparar por buxo ou rododendro, etc.), apare desde a raiz até ao topo para obter um acabamento bonito.

► Fig.27

MANUTENÇÃO

⚠️AVISO: Antes de inspecionar ou efetuar manutenções no equipamento, desligue o motor e remova a bateria. Caso contrário, a máquina pode arrancar não intencionalmente e provocar ferimentos graves.

⚠️AVISO: Quando inspecionar ou realizar manutenções no equipamento, pouse-o sempre. A montagem ou regulação do equipamento numa posição vertical pode resultar em ferimentos graves.

⚠️AVISO: Siga os avisos e precauções no capítulo “AVISOS DE SEGURANÇA” e o manual de instruções da unidade de alimentação.

⚠️PRECAUÇÃO: Utilize luvas quando efetuar uma inspeção ou manutenção.

OBSERVAÇÃO: Nunca utilize gasolina, benzina, diluente, álcool ou produtos semelhantes. Pode ocorrer a descoloração, deformação ou rachaduras.

Para manter a SEGURANÇA e a FIABILIDADE do produto, as reparações e qualquer outra manutenção ou ajuste devem ser levados a cabo pelos centros de assistência Makita autorizados ou pelos centros de assistência de fábrica, utilizando sempre peças de substituição Makita.

Limpar a ferramenta

Limpe a ferramenta, limpando o pó com um pano seco ou um pano humedecido em água com detergente e torcido.

OBSERVAÇÃO: Nunca utilize gasolina, benzina, diluente, álcool ou produtos semelhantes. Pode ocorrer a descoloração, deformação ou rachaduras.

Manutenção da lâmina de corte

Antes da operação ou uma vez por hora durante a operação, aplique óleo de baixa viscosidade (óleo para máquinas ou óleo lubrificante de pulverizar) nas lâminas de corte.

► Fig.28

Após a operação, remova o pó de ambos os lados das lâminas de corte com uma escova de fios, limpe-as com um pano e, em seguida, aplique óleo de baixa viscosidade (óleo para máquinas ou óleo lubrificante de pulverizar) nas lâminas de corte.

► Fig.29

OBSERVAÇÃO: Não lave as lâminas de corte na água. Ao fazê-lo pode causar ferrugem ou danos na ferramenta.

OBSERVAÇÃO: A sujidade e a corrosão causam fricção excessiva da lâmina e encurtam o tempo de funcionamento por carga de bateria.

Armazenamento

Acople a tampa da lâmina às lâminas de corte, de modo a que as lâminas não fiquem expostas. Guarde a ferramenta fora do alcance das crianças. Guarde a ferramenta num local não exposto a humidade ou precipitação.

Quando armazenar o implemento separado da unidade de alimentação, coloque a tampa sobre a extremidade do tubo.

► Fig.30

Lubrificar as peças móveis

OBSERVAÇÃO: Siga as instruções referentes à frequência e à quantidade de massa lubrificante fornecida. Caso contrário, uma lubrificação insuficiente, pode danificar as peças móveis.

Eixo motor:

Aplique massa lubrificante (massa lubrificante Makita N No.2 ou equivalente) a cada 30 horas de funcionamento.

► Fig.31

NOTA: Pode adquirir massa lubrificante genuína da Makita no seu distribuidor Makita local.

Lubrificação com massa lubrificante

Intervalo de lubrificação: A cada 25 horas de funcionamento

1. Remova o perno do orifício para lubrificação.

► Fig.32: 1. Perno

2. Remova a tampa do recipiente de massa lubrificante. Alinhe a saída do recipiente de massa lubrificante com o orifício na tampa e, em seguida, rode o recipiente de massa lubrificante para prender a saída do recipiente de massa lubrificante no orifício.

► Fig.33: 1. Recipiente de massa lubrificante
2. Orifício

3. Aplique a massa lubrificante na ferramenta (aproximadamente 3 g como um guia).

4. Remova o recipiente de massa lubrificante.

5. Aperte o perno.

Retificação das lâminas de corte

OBSERVAÇÃO: Se as lâminas de corte foram consideravelmente deformadas por retificação, substitua-as por lâminas de corte novas.

1. Instale a bateria na ferramenta.

2. Ligue e efetue o arranque da ferramenta, de modo que a lâmina superior e a lâmina inferior fiquem posicionadas alternadamente.

► Fig.34

3. Desligue a ferramenta e remova a bateria da ferramenta.

4. Regule o ângulo de uma lima para 45° e retifique a lâmina superior a partir de 3 direções com a lima.

► Fig.35: (1) Lima (2) 45°

PRECAUÇÃO: Antes de retificar as lâminas de corte, certifique-se de que a ferramenta está desligada e que a bateria foi removida da ferramenta.

5. Coloque a ferramenta virada para baixo e, em seguida, remova as rebarbas das lâminas de corte com a pedra de amolar.

► Fig.36: 1. Pedra de amolar

6. Regule o ângulo da lima para 45° e retifique a lâmina inferior a partir de 3 direções com a lima.

7. Volte a colocar a ferramenta na posição normal e, em seguida, remova as rebarbas das lâminas de corte com a pedra de amolar.

RESOLUÇÃO DE PROBLEMAS

Antes de pedir uma reparação, realize primeiro a sua própria inspeção. Se encontrar um problema que não esteja explicado no manual, não tente desmontar a ferramenta. Em vez disso, peça as reparações nos centros de assistência técnica autorizados da Makita, usando sempre peças de substituição da Makita.

Estado da anomalia	Causa provável (avaria)	Correção
O motor não arranca.	-	Consulte o manual de instruções da unidade de alimentação.
O motor para em breve.	-	Consulte o manual de instruções da unidade de alimentação.
A velocidade do motor não aumenta.	-	Consulte o manual de instruções da unidade de alimentação.
As lâminas de corte não se movem: ⇒ pare a máquina imediatamente!	Ficam presos objetos estranhos entre as lâminas de corte.	Desligue a ferramenta e remova a bateria e, em seguida, remova os objetos estranhos utilizando ferramentas, tais como um alicate.
	O sistema de acionamento não funciona corretamente.	Peça a reparação no centro de assistência autorizado local.
Vibração anormal: ⇒ pare a máquina imediatamente!	As lâminas de corte estão partidas, curvadas ou desgastadas.	Substitua as lâminas de corte.
	O sistema de acionamento não funciona corretamente.	Peça a reparação no centro de assistência autorizado local.
As lâminas de corte e o motor não conseguem parar: ⇒ retire imediatamente a bateria!	Falha elétrica.	Retire a bateria e peça a reparação no centro de assistência autorizado local.

ACESSÓRIOS OPCIONAIS

⚠PRECAUÇÃO: Estes acessórios ou acoplamentos são recomendados para utilização com a sua máquina Makita especificada no presente manual. A utilização de quaisquer outros acessórios ou acoplamentos pode representar risco de lesão física. Utilize apenas acessórios ou acoplamentos para os respetivos fins previstos.

Se necessitar de informações adicionais relativas a estes acessórios, solicite-as ao seu centro de assistência Makita.

- Conjunto da lâmina de corte
- Recipiente de massa lubrificante
- Bateria e carregador genuinos da Makita

NOTA: Alguns itens na lista poderão estar incluídos na embalagem do produto como acessórios padrão. Podem diferir de país para país.

SPECIFIKATIONER

Model:	EN402MP
Længde af klinger	500 mm
Samlet længde	1444 mm
Nettovægt	2,4 kg

- På grund af vores kontinuerlige forsknings- og udviklingsprogrammer kan hosstående specifikationer blive ændret uden varsel.
- Specifikationer kan variere fra land til land.

Godkendt motorenhed

Dette tilbehør er kun godkendt til brug sammen med følgende motorenhed(er):

- DUX60 Akku flerfunktions motorhoved
- DUX18 Akku flerfunktions motorhoved
- UX01G Akku flerfunktions motorhoved

⚠ ADVARSEL: Brug aldrig tilbehøret med en motorenhed, der ikke er godkendt. En ikke-godkendt kombination kan medføre alvorlig personskade.

Symboler

Følgende viser de symboler, der muligvis anvendes til udstyret. Sørg for, at du forstår deres betydning før brugen.



Læs og følg brugsanvisningen.



FARE - Hold hænder væk fra klingerne.



Pas på elektriske ledninger. Risiko for elektrisk stød.



Bær sikkerhedshjelm, beskyttelsesbriller og høreværn.



Bær arbejdshandsker.



Bær solide støvler med skridsikre såler.



Hold tilskuere og dyr mindst 15 m væk fra maskinen.



Hold brugsområdet fri for alle personer og kæledyr.



Garanteret lydeffektniveau i henhold til EU-direktivet om maskiner til udendørs brug.



Lydeffektniveau i henhold til Australiens NSW forordning om støjemission

Tilsigtet anvendelse

Dette tilbehør er kun udviklet til klipning af hække sammen med en godkendt motorenhed. Brug aldrig tilbehøret til andre formål. Misbrug af tilbehøret kan forårsage alvorlig personskade.

EF-overensstemmelseserklæring

Kun for lande i Europa

Vi som producenter: **Makita Europe N.V.**,
Forretningsadresse: **Jan-Baptist Vinkstraat 2 3070 Kortenberg BELGIEN**. Godkender **Hiroshi Tsujimura** til kompilering af den tekniske fil og tager det fulde ansvar for, at produktet eller produkterne, Betegnelse: **Tilbehør til hækkeklipper**. Betegnelse af type(r): **EN402MP**.

Opfylder alle de relevante bestemmelser i **2006/42/EF** og opfylder desuden alle de relevante bestemmelser i følgende EF/EU-direktiver: **2000/14/EF** og er fremstillet i overensstemmelse med følgende harmoniserede standarder: **EN62841-1:2015, EN 62841-4-2:2019, EN ISO 11806-1:2011**.

Sted og dato for erklæring: **Kortenberg, Belgien. 20. 12. 2022**

Ansvarlig person: **Hiroshi Tsujimura, Direktør - Makita Europe N.V.**

SIKKERHEDSADVARSLER

Sikkerhedsadvarsler for akku stanghæktrimmer

- Hold alle dele af kroppen væk fra klingen. Undlad at fjerne afskåret materiale eller at holde materiale, der skal skæres, når klingerne bevæger sig.** Klingerne fortsætter med at bevæge sig, efter der er slukket på afbryderen. Ved brug af hæktrimmeren kan et øjeblik uopmærksomhed medføre alvorlig personskade.
- Bær hæktrimmeren i håndtaget med klingens stoppet og pas på ikke at betjene nogen afbryderknop.** Korrekt bæring af hæktrimmeren reducerer risikoen for utilsigtet start og resulterende personskade fra klingerne.
- Ved transport eller opbevaring af hæktrimmeren skal klingedækslet altid sættes på.** Korrekt håndtering af hæktrimmeren reducerer risikoen for personskade fra klingerne.
- Når der fjernes fastklemt materiale, eller enheden serviceres, skal du sørge for, at alle afbryderknapper er slået fra, og at akkuen er fjernet eller frakoblet.** Uventet aktivering af hæktrimmeren mens du fjerner fastklemt materiale eller under eftersyn kan muligvis forårsage alvorlig personskade.
- Hold altid kun i hæktrimmeren i de isolerede gribeflader, da klingens kan komme i berøring med skjulte ledninger.** Hvis klingen kommer i kontakt med en strømførende ledning, kan udsatte metaldele på hæktrimmeren blive strømførende, hvorved operatøren kan få elektrisk stød.
- Hold alle netledninger væk fra skærområdet.** Netledninger eller kabler kan muligvis være gemt i hække eller buske, og kan ved et uheld skæres over af klingens.
- Brug ikke hæktrimmeren i dårligt vejr, især hvis der er risiko for lynnedslag.** Dette reducerer risikoen for at blive ramt af lynnedslag.
- For at reducere risikoen dødeligt elektrisk stød må du aldrig anvende stanghæktrimmeren i nærheden af elledninger.** Kontakt med eller brug i nærheden af elledninger kan muligvis forårsage alvorlig tilskadekomst eller elektrisk stød med dødsfald til følge.
- Brug altid to hænder, når du betjener stanghæktrimmeren.** Hold stanghæktrimmeren med begge hænder for at undgå tab a kontrol.
- Brug altid hovedbeskyttelse, når du betjener stanghæktrimmeren over hovedhøjde.** Nedfaldende rester kan medføre alvorlig personskade.
- Kontrollér hækken og buskene for fremmedlegemer som f.eks. trådhegn eller skjulte ledninger, før maskinen anvendes.**
- Hæktrimmeren må ikke anvendes af børn eller unge på under 18 år.** Unge på over 16 år er muligvis undtaget fra denne begrænsning, hvis de er under oplæring under opsyn af en ekspert.
- I tilfælde af en nødsituation skal du med det samme slukke for maskinen og fjerne akkuen.**
- FARE - Hold hænderne på afstand af klingens.** Kontakt med klingens vil medføre alvorlig personskade.
- Førstegangsbrugere bør få en erfaren bruger til at vise dem, hvordan man bruger maskinen.**
- Før brugen skal du kontrollere arbejdsområdet for trådhegn, sten eller andre hårde genstande. De kan beskadige klingerne.**
- Brug kun hæktrimmeren, hvis du er i god fysisk form.** Hvis du er træt, vil din opmærksomhed være reduceret. Vær særligt opmærksom sidst på arbejdsdagen. Udfør alt arbejde roligt og omhyggeligt. Brugeren er ansvarlig for enhver skade på tredjepart.
- Før du påbegynder arbejdet, skal du kontrollere, at trimmeren er i god og korrekt arbejdstilstand. Kontroller, at beskyttelsesskærme er monteret korrekt. Hæktrimmeren må ikke anvendes, medmindre den er fuldt samlet.**
- Undgå farlige miljøer. Brug ikke maskinen på fugtige eller våde steder, og udsæt den ikke for regn.** Hvis der kommer vand ind i maskinen, forøger det risikoen for elektrisk stød.

Personligt beskyttelsesudstyr

- Arbejdshandsker af solidt læder er en del af det grundlæggende udstyr til hæktrimmeren og skal altid bæres, når du arbejder med den. Bær også solide sko med skridsikre såler.**
- Bær høreværn som f.eks. høreværn for at forhindre høretab.**
- Bær beskyttelsesbriller, sikkerhedshjelm og beskyttelseshandsker som beskyttelse mod flyvende partikler eller faldende genstande.**
- Bær beskyttelseshandsker, når du berører klingerne eller justerer vinklen på klingens.** Klingens kan skære bare hænder alvorligt.

Betjening

- Brug altid to hænder til at betjene maskinen.** Brug af én hånd kan medføre at du mister kontrollen og resultere i alvorlig personskade.
- Mens du bruger maskinen, skal du sikre dig, at betjeningspositionen er sikker.** Det er ekstremt farligt at strække sig for langt med maskinen, især fra en stige. Undlad at arbejde fra nogen som helst ustabil eller usikker platform.
- Anvend ikke flere bæltelser og/eller skuldreseler på samme tid, når du anvender maskinen.**
- Hold tilskuere og dyr mindst 15 m væk fra maskinen under brugen.** Stop maskinen, så snart nogen nærmer sig.
- Hvis skæreværktøjet rammer en genstand, eller maskinen begynder at lave en unormal lyd eller vibrere, skal du slukke for maskinen og straks fjerne akkuen og lade maskinen stoppe. Og følg derefter de følgende trin:**

Yderligere sikkerhedsinstruktioner

Forberedelse

- DENNE HÆKTRIMMER KAN FORÅRSAGE ALVORLIGE SKADER.** Læs instruktionerne omhyggeligt for korrekt håndtering, klargøring, vedligeholdelse, start og stop af maskinen. Bliv bekendt med alle kontrollerne og den korrekte brug af maskinen.

- inspicer for beskadigelse
 - kontroller, om der er løse dele, og stram dem i så fald
 - få beskadigede dele udskiftet eller repareret med originale reservedele.
6. **Brug kun maskinen til det, den er beregnet til. Brug ikke maskinen til noget andet formål.**
 7. **Sluk for maskinen, og tag akkuen ud, inden:**
 - rengøring eller når du fjerner en hindring,
 - eftersyn, vedligeholdelse af eller arbejde på maskinen,
 - justering af arbejdspositionen af klingerne,
 - maskinen efterlades uden opsyn.
 8. **Sørg for at maskinen er korrekt placeret i en designeret arbejdsposition, inden maskinen startes.**
 9. **Betjen ikke maskinen med en beskadiget eller meget slidt klinger.**
 10. **Vær altid opmærksom på dine omgivelser og opmærksom på mulige risici, som du muligvis ikke er opmærksom på pga. støjen fra maskinen.**
 11. **Vær forsigtig med ikke at ramme et metalhegn eller andre hårde genstande ved et uheld under betjening. Klinge vil gå i stykker og muligvis forårsage alvorlig tilskadecomst.**
 12. **Undgå utilsigtet start. Bær ikke maskinen, når akkuen er installeret og med fingeren på afbryderen. Sørg for, at afbryderen er slået fra, når du installerer akkuen.**
 13. **Tag ikke fat i de blottagte skærende klinger eller skærekanter, når maskinen løftes eller holdes.**
 14. **Undlad at presse maskinen. Den gør et bedre job og med mindre risiko for personskaade ved den hastighed, den er udviklet til.**
 15. **Brug ikke maskinen i regnvejr eller under våde eller meget fugtige forhold. Den elektriske motor er ikke vandtæt.**
 16. **Hold godt fast i maskinen, når du bruger maskinen.**
 17. **Betjen ikke maskinen unødigt uden belastning.**
 18. **Før du kontrollerer klingerne, udbedrer fejl eller fjerner fremmedlegemer, der sidder fast i klingerne, skal du altid slukke for maskinen og fjerne akkuen.**
 19. **Ret aldrig klingerne mod dig selv eller andre.**
 20. **Hvis klingerne holder op med at bevæge sig under brugen på grund af fremmedlegemer, der sidder fast mellem klingerne, skal du slukke for maskinen og fjerne akkuen og derefter fjerne fremmedlegemerne ved hjælp af redskaber som f.eks. en tang. Hvis du fjerner fremmedlegemerne i hånden, kan det medføre personskaade, da klingerne kan bevæge sig som reaktion på fjernelsen af fremmedlegemerne.**
 21. **Når du monterer eller afmonterer klingedækslet, skal du passe på ikke at skade hænderne.**

Elektrisk sikkerhed og batterisikkerhed

1. **Undgå farlige miljøer. Brug ikke maskinen på fugtige eller våde steder, og udsæt den ikke for regn. Vand, der kommer ind i maskinen, øger risikoen for elektrisk stød.**

2. **Undlad at kaste batterierne i åben ild. Celler kan eksplodere. Tjek de lokale regler for eventuelle særlige instruktioner vedrørende bortskaffelse.**
3. **Undlad at åbne eller mishandle batterierne. Lækket elektrolyt er ætsende og kan medføre skader på øjnene eller huden. Den kan være giftig, hvis den indtages.**
4. **Undlad at oplade batteriet i regnvejr eller under våde forhold.**
5. **Oplad ikke batteriet uden døre.**
6. **Håndter ikke oplader, herunder opladerstik, og opladerterminaler med våde hænder.**

Vedligeholdelse og opbevaring

1. **Når maskinen er stoppet med henblik på service, eftersyn eller opbevaring, skal du slukke for maskinen og fjerne akkuen, og sørge for, at alle bevægelige dele er stoppet helt. Lad maskinen køle af inden du foretager nogen eftersyn, justeringer osv.**
2. **Lad altid maskinen køle af, inden den stilles til opbevaring.**
3. **Når den ikke er i brug, skal klingedækslet til maskinen monteres, og maskinen skal opbevares indendørs på et tørt og højtliggende aflåst sted, der er utilgængeligt for børn.**
4. **Vedligehold maskinen omhyggeligt. Hold den skærende kant skarp og ren for bedst mulig ydeevne og for at reducere risikoen for tilskadecomst. Følg instruktionerne for smøring og udskiftning af tilbehør. Hold grebene tørre og rene, og fri for olie og fedt.**
5. **Kontroller beskadigede dele. Før yderligere brug af maskinen skal enhver del, som er beskadiget, kontrolleres omhyggeligt for at fastslå, om den vil fungere korrekt og udføre sin tilsigtede funktion. Se efter justering af bevægelige dele, binding af bevægelige dele, dele, som er gået i stykker, montering og andre forhold, der kan påvirke deres funktion. En beskyttelsesskærm eller anden del, der er beskadiget, skal repareres eller udskiftes af dit autoriserede servicecenter.**
6. **Brug kun originale reservedele.**
7. **Når maskinen flyttes til et andet sted, herunder under arbejde, skal du altid fjerne akkuen og sætte klingedækslet på klingerne. Du må aldrig bære eller transportere maskinen, mens klingerne kører. Tag aldrig fat i klingerne med hænderne.**
8. **Rengør maskinen og især klingerne efter brug, og før maskinen lægges til opbevaring i længere tid. Smør klingerne let med olie, og sæt klingedækslet på.**
9. **Undlad at kaste batterierne i åben ild. Celler kan eksplodere. Tjek de lokale regler for eventuelle særlige instruktioner vedrørende bortskaffelse.**
10. **Undlad at åbne eller mishandle batterierne. Lækket elektrolyt er ætsende og kan medføre skader på øjnene eller huden. Den kan være giftig, hvis den indtages.**
11. **Undlad at oplade batteriet i regnvejr eller under våde forhold.**

GEM DENNE BRUGSANVISNING.

⚠ ADVARSEL: LAD IKKE bekvemmelighed eller kendskab til produktet (opnået gennem gentagen brug) forhindre, at sikkerhedsforskrifterne for produktet nøje overholdes. MISBRUG eller for sømmelse af at følge de i denne brugsvejledning givne sikkerhedsforskrifter kan føre til, at De kommer alvorligt til skade.

BESKRIVELSE AF DELENE

- **Fig.1:** 1. Klingedæksel 2. Vinkeljusteringshåndtag 3. Hætte 4. Klinger 5. Glidehåndtag 6. Forreste greb

SAMLING

⚠ ADVARSEL: Før du samler eller justerer udstyret, skal du slukke for motoren og afmontere akkuen. Ellers kan maskinen starte utilsigtet og medføre personskaade.

⚠ ADVARSEL: Ved samling eller justering af udstyret skal du altid lægge det ned. Samling eller justering af udstyret i stående position kan medføre alvorlig personskaade.

⚠ ADVARSEL: Følg advarselne og forholdsreglerne i kapitlet "SIKKERHEDSADVARSLER" samt brugsanvisningen til motorenheden.

Samling af tilbehøret

1. Fjern hættten fra tilbehøret.
► **Fig.2:** 1. Hætte
2. Indsæt røret i tilbehøret, så hullet på røret er justeret ind med hullet på tilbehøret. Stram først den korte bolt forsvarligt, og stram derefter den lange bolt for at fastgøre røret.
► **Fig.3:** 1. Hul 2. Rør 3. Bolt (kort) 4. Bolt (lang)

BEMÆRK: Når du tilspænder boltene, skal du anvende 4,0 - 6,0 N·m som tilspændingsmoment.

Montering af monteringsrøret

⚠ FORSIGTIG: Kontroller altid, at monteringsrøret sidder fast efter installationen. Forkert installation kan medføre, at tilbehøret falder af effektenheden og forårsager personskaade.

Monter monteringsrøret på effektenheden.

1. Fjern hættten fra enden af røret.
► **Fig.4:** 1. Rør 2. Hætte

BEMÆRKNING: Undlad at kassere hættten, da hættten er påkrævet til opbevaring af tilbehøret.

2. Drej håndtaget mod tilbehøret.
► **Fig.5:** 1. Håndtag

3. Juster stiftten i forhold til pilemærket på motorenheden. Indsæt røret, indtil udløserknappen kommer op. Sørg for at positionsmærket befinder sig ved spidsen af pilemærket på motorenheden, og at pilemærket på motorenheden og pilemærket på røret vender mod hinanden.

► **Fig.6:** 1. Udløserknap 2. Pilemærke på motorenheden 3. Stift 4. Positionsmærke 5. Pilemærke på røret

4. Drej håndtaget mod motorenheden.

► **Fig.7:** 1. Håndtag

Sørg for, at overfladen på håndtaget ligger parallelt med røret.

BEMÆRKNING: Stram ikke håndtaget, uden at monteringsrøret er indsat. Ellers kan håndtaget stramme indgangen til drevskafet for hårdt og beskadige det.

For at fjerne røret skal du dreje håndtaget mod tilbehøret og trække røret ud, idet der trykkes ned på udløserknappen.

► **Fig.8:** 1. Udløserknap 2. Håndtag 3. Rør

Montering eller fjernelse af klingerne

⚠ FORSIGTIG: Ved udskiftning af klingerne skal du altid bære handsker, så dine hænder ikke kommer i direkte kontakt med klingerne.

⚠ FORSIGTIG: Monter klingedækslet, før klingerne fjernes eller monteres.

BEMÆRKNING: Når du udskifter klingerne, må du ikke tørre fedtet af fra krumtappen.

BEMÆRK: Inden du installerer eller fjerner klingerne, skal du folde tilbehøret ud, så tilbehøret er lige i forhold til røret.

1. Fastgør klingedækslet til klingerne.
► **Fig.9:** 1. Klingedæksel
2. Placer tilbehøret vendt på hovedet.
3. Fjern 4 bolte med sekskantnøglen og fjern dækslet og pladen (store).
► **Fig.10:** 1. Bolt 2. Dæksel 3. Plade (stor)
4. Drej krumtappen med kærsvkruetrækkeren, så krumtappen er placeret i den retning, som er vist på figuren.
► **Fig.11:** 1. Krumtap
5. Fjern 2 bolte.
► **Fig.12:** 1. Bolt
6. Fjern filtputen (kort), filtputen (lang), pladen (lille) og mufferne.
► **Fig.13:** 1. Filtpute (kort) 2. Filtpute (lang) 3. Plade (lille) 4. Muffe
7. Fjern klingerne fra tilbehøret.
► **Fig.14**
8. Fjern klingedækslet, og monter det derefter på de nye klinger.

9. Fjern støvskærmen fra klingerne og monter den derefter på den position, som er vist på figuren, på de nye klinger.

► **Fig.15:** 1. Støvskaerm

10. Indsæt bolt, der blev fjernet i trin 5, i hullet på klingerne gennem hullet på klingedækslet.

► **Fig.16:** 1. Hul 2. Bolt

11. Påfør en lille smule fedt i krumtappens periferi. Monter klingerne på tilbehøret.

► **Fig.17**

12. Monter mufferne, pladen (lille) til klingerne, og stram derefter bolt.

► **Fig.18:** 1. Bolt 2. Plade (lille) 3. Muffe

13. Fjern bolt, der blev indsat i hullet på klingerne i trin 10, og stram den derefter for at fastgøre klingerne.

14. Monter filtputen (kort) og filtputen (lang).

► **Fig.19:** 1. Filtput (kort) 2. Filtput (lang)

15. Monter pladen (stor) og dæksel, og stram derefter 4 bolte.

► **Fig.20:** 1. Bolt 2. Dæksel 3. Plade (stor)

BEMÆRKNING: Hvis klingerne ikke fungerer korrekt, griber de ikke korrekt ind i krumtappen. Fjern klingerne, og monter dem igen.

BEMÆRKNING: Hvis andre dele end klingerne, f.eks. krumtappen, er slidt, skal du bede et autoriseret Makita-servicecenter om udskiftning af dele eller reparation.

FUNKTIONSBESKRIVELSE

⚠FORSIGTIG: Sørg altid for at maskinen er slukket, og at akkuen er taget ud, før der udføres justering eller kontrol af funktioner på maskinen.

Justering af skærevinklen

⚠FORSIGTIG: Sørg altid for, at maskinen er slukket, inden du justerer skærevinklen.

Vinklen på hovedet kan justeres i 13 trin. For at ændre vinklen på hovedet skal du følge trinene nedenfor.

1. Hold vinkeljusteringshåndtaget og juster derefter vinklen på hovedet, mens du trækker i glidehåndtaget, og slip derefter glidehåndtaget.

► **Fig.21:** 1. Glidehåndtag 2. Vinkeljusteringshåndtag

2. Flyt hovedet en lille smule, indtil det låses med et klik.

BEMÆRK: Sørg for, at hovedet er ordentligt låst fast, inden du betjener maskinen.

ANVENDELSE

⚠ADVARSEL: Følg advarselserne og forholdsreglerne i kapitlet "SIKKERHEDSADVARSLER" samt brugsanvisningen til motorenheden.

Betjening af maskinen

⚠ADVARSEL: Brug ikke maskinen i nærheden af elledninger. Kontakt med elledninger eller brug i nærheden af elledninger kan muligvis forårsage alvorlig tilskadekomst eller elektrisk stød med dødsfald til følge.

⚠ADVARSEL: Hold hænderne på afstand af klingerne.

⚠ADVARSEL: Vær yderst omhyggelig med at bevare kontrollen over maskinen til enhver tid. Lad ikke maskinen blive slynget tilbage mod dig selv eller andre i arbejdsområdet. Hvis du ikke bevarer kontrollen over maskinen, kan det forårsage alvorlig personskade for tilskueren og operatøren.

⚠FORSIGTIG: Undgå så vidt muligt at anvende maskinen i meget varmt vejr. Vær opmærksom på din fysiske tilstand, når du anvender maskinen.

⚠FORSIGTIG: Vær forsigtig med ikke at ramme et metalhegn eller andre hårde genstande ved et uheld under trimningen. Klingerne kan gå i stykker og forårsage personskade.

⚠FORSIGTIG: Vær forsigtig med ikke at lade klingerne komme i kontakt med jorden. Maskinen kan slå tilbage og forårsage personskade.

⚠FORSIGTIG: Det er ekstremt farligt at strække sig for langt med en hæktrimmer, især fra en stige. Undlad at arbejde, mens du står på en ustabil eller usikker platform.

BEMÆRKNING: Forsøg ikke at klippe grene, der er tykkere end 10 mm i diameter, med maskinen. Beskær grene til 10 cm under skærehøjden ved hjælp af en grensaks, før du bruger denne maskine.

► **Fig.22:** (1) Skærehøjde (2) 10 cm

BEMÆRKNING: Undlad at beskære døde træer eller lignende hårde genstande. Hvis du gør dette, kan det beskadige maskinen.

BEMÆRKNING: Undlad at trimme græs eller ukrudt, mens du bruger klingerne. Klingerne kan blive viklet ind i græsset eller ukrudtet.

Hold maskinen med begge hænder ved at holde i det forreste håndtag på motorenheden eller det forreste greb på tilbehøret og det bagerste greb på motorenheden.

► **Fig.23:** 1. Forreste håndtag 2. Bagerste greb

Tryk på afbryderknappen, mens du trykker på lås fra-håndtaget, og bevæg derefter maskinen fremad.

► **Fig.24**

Ved almindelig brug skal du vippe klingerne i trimningsretningen og flytte den roligt og langsomt med en hastighed på 3 til 4 sekunder pr. meter.

► **Fig.25**

For at klippe siden af en hæk jævnt skal du klippe fra bunden mod toppen.

► Fig.26

Ved beskæring for at opnå en rund form (trimning af buksbom eller rododendron osv.) skal du trimme fra roden mod toppen for at opnå en flot finish.

► Fig.27

VEDLIGEHODELSE

⚠ ADVARSEL: Før du efterser eller vedligeholder udstyret, skal du slukke for motoren og afmontere akkuen. Ellers kan maskinen starte utilsigtet og medføre alvorlig personskade.

⚠ ADVARSEL: Ved inspektion eller vedligeholdelse af udstyret skal du altid lægge det ned. Samling eller justering af udstyret i stående position kan medføre alvorlig personskade.

⚠ ADVARSEL: Følg advarslerne og forholdsreglerne i kapitlet "SIKKERHEDSADVARSLER" samt brugsanvisningen til motorenheden.

⚠ FORSIGTIG: Bær handsker, når du udfører eftersyn eller vedligeholdelse.

BEMÆRKNING: Anvend aldrig benzin, rensebenzin, fortynder, alkohol og lignende. Det kan medføre misfarvning, deformering eller revner.

For at opretholde produktets SIKKERHED og PÅLIDELIGHED må reparation, vedligeholdelse eller justering kun udføres af et autoriseret Makita servicecenter eller fabrikksservicecenter med anvendelse af Makita reservedele.

Rengøring af maskinen

Rengør maskinen ved at aftørre støv med en tør klud eller en klud, der er dyppet i sæbevand og vredet.

BEMÆRKNING: Anvend aldrig benzin, rensebenzin, fortynder, alkohol og lignende. Det kan medføre misfarvning, deformering eller revner.

Vedligeholdelse af klinger

Før brugen eller én gang i timen under brug skal du smøre olie med lav viskositet (maskinolie eller smørelie af spraytypen) på klingerne.

► Fig.28

Efter brugen skal du fjerne støv fra begge sider af klingerne med en trådbørste, tørre dem af med en klud og derefter smøre olie med lav viskositet (maskinolie eller smørelie af spraytypen) på klingerne.

► Fig.29

BEMÆRKNING: Undgå at vaske klingerne i vand. Dette kan medføre rust eller beskadigelse af maskinen.

BEMÆRKNING: Snavs og rust medfører kraftig klingefriktion og forkorter driftstiden mellem batteriopladninger.

Opbevaring

Monter klingedækslet på klingerne, så klingerne ikke er blottet. Opbevar maskinen utilgængeligt for børn. Opbevar maskinen på et sted, der ikke er udsat for fugt eller regn.

Hvis tilbehøret opbevares adskilt fra motorenheden, skal hættens sættes på enden af røret.

► Fig.30

Smøring af bevægelige dele

BEMÆRKNING: Følg instruktionerne vedrørende hyppighed og tilført mængde fedtstof. Ellers kan manglende smøring beskadige de bevægelige dele.

Drevaksel:

Tilfør fedtstof (Makita-fedt N No.2 eller tilsvarende) for hver 30 timers drift.

► Fig.31

BEMÆRK: Ægte Makita-fedtstof kan købes fra din lokale Makita-forhandler.

Smøring med fedt

Smøringsinterval: Hver 25 driftstimer

1. Fjern boltene fra hullet til smøring.

► Fig.32: 1. Bolt

2. Afmonter hættens fra fedtbeholderen. Justér fedtbeholderens udløb med hullet på dækslet, og drej derefter fedtbeholderen for at fastgøre udløbet på fedtbeholderen til hullet.

► Fig.33: 1. Fedtbeholder 2. Hul

3. Fyld fedt på maskinen (Som tommelfingerregel cirka 3 g).

4. Fjern fedtbeholderen.

5. Stram boltene.

Slibning af klingerne

BEMÆRKNING: Hvis klingerne er alvorligt deformet ved slibning, skal du udskifte klingerne med nye.

1. Monter akkuen på maskinen.

2. Tænd for og start maskinen, så den øverste klinge og nederste klinge er placeret på skift af hinanden.

► Fig.34

3. Sluk for maskinen, og tag akkuen ud af maskinen.

4. Indstil vinklen på en fil til 45°, og slib den øverste klinge fra 3 retninger med filen.

► Fig.35: (1) Fil (2) 45°

⚠ FORSIGTIG: Sørg altid for, at der er slukket for maskinen, og at akkuen er fjernet fra maskinen, før klingerne slibes.

5. Vend maskinen med bunden i vejret, og fjern derefter graterne fra klingerne ved hjælp af afrettestenen.

► **Fig.36: 1.** Afrettesten

6. Indstil vinklen på filen til 45°, og slib den nederste klinge fra 3 retninger med filen.

7. Vend maskinen tilbage til den normale stilling, og fjern derefter graterne fra klingerne ved hjælp af afrettestenen.

FEJLFINDING

Udfør selv en inspektion, inden De anmoder om reparation. Hvis De opdager et problem, som ikke er forklaret i brugsanvisningen, må De ikke forsøge at adskille maskinen. Rådfør Dem i stedet med et autoriseret Makita Servicecenter, og brug altid originale Makita udskiftningsdele til reparationer.

Unormal tilstand	Sandsynlig årsag (fejl)	Afhjælpning
Motoren starter ikke.	-	Se i brugsanvisningen til motorenheden.
Motoren stopper hurtigt.	-	Se i brugsanvisningen til motorenheden.
Motorhastigheden øges ikke.	-	Se i brugsanvisningen til motorenheden.
Klinger bevæger sig ikke: ⇒ Stop maskinen med det samme!	Der sidder fremmedlegemer fast mellem klingerne.	Sluk for maskinen og tag akkuen ud, og fjern derefter fremmedlegemer ved hjælp af værktøj som fx tænger.
	Drevsystemet fungerer ikke korrekt.	Kontakt det lokale autoriserede servicecenter for reparation.
Unormal vibration: ⇒ Stop maskinen med det samme!	Klinger er i stykker, bøjet eller slidte.	Udskift klingerne.
	Drevsystemet fungerer ikke korrekt.	Kontakt det lokale autoriserede servicecenter for reparation.
Klinger og motor kan ikke stoppe: ⇒ Fjern batteriet med det samme!	Elektrisk funktionsfejl.	Fjern batteriet, og kontakt det lokale autoriserede servicecenter for reparation.

EKSTRAUDSTYR

⚠FORSIGTIG: Dette tilbehør og ekstraudstyr er anbefalet til brug med din Makita-maskine, der er beskrevet i denne brugsanvisning. Brug af andet ekstraudstyr eller tilbehør kan medføre risiko for personskade. Brug kun ekstraudstyr eller tilbehør til det formål, det er beregnet til.

Hvis De behøver hjælp ved valg af tilbehør eller ønsker yderligere informationer, bedes De kontakte Deres lokale Makita servicecenter.

- Klingemontering
- Fedtbeholder
- Original Makita akku og oplader

BEMÆRK: Nogle ting på denne liste kan være inkluderet i produktpakken som standardtilbehør. De kan være forskellige fra land til land.

ΠΡΟΔΙΑΓΡΑΦΕΣ

Μοντέλο:	EN402MP
Μήκος λάμας	500 mm
Συνολικό μήκος	1444 mm
Καθαρό βάρος	2,4 kg

- Λόγω του συνεχόμενου προγράμματος που εφαρμόζουμε για έρευνα και ανάπτυξη, τα τεχνικά χαρακτηριστικά στο παρόν έντυπο υπόκεινται σε αλλαγή χωρίς προειδοποίηση.
- Τα τεχνικά χαρακτηριστικά μπορεί να διαφέρουν από χώρα σε χώρα.

Εγκριμένη ηλεκτρική μονάδα

Αυτό το προσάρτημα εγκρίνεται για χρήση μόνο με τις ακόλουθες ηλεκτρικές μονάδες:

- DUX60 Φορητή πολυλειτουργική ηλεκτρική κεφαλή
- DUX18 Φορητή πολυλειτουργική ηλεκτρική κεφαλή
- UX01G Φορητή πολυλειτουργική ηλεκτρική κεφαλή

⚠ ΠΡΟΕΙΔΟΠΟΙΗΣΗ: Μη χρησιμοποιείτε ποτέ το προσάρτημα με μη εγκεκριμένη ηλεκτρική μονάδα. Ο μη εγκεκριμένος συνδυασμός μπορεί να προκαλέσει σοβαρό τραυματισμό.

Σύμβολα

Παρακάτω παρουσιάζονται τα σύμβολα που μπορούν να χρησιμοποιηθούν για τον εξοπλισμό. Βεβαιωθείτε ότι κατανοείτε τη σημασία τους πριν από τη χρήση.



Διαβάστε και ακολουθήστε το εγχειρίδιο οδηγιών.



ΚΙΝΔΥΝΟΣ - Κρατήστε τα χέρια μακριά από τη λάμα.



Προσέχετε τις ηλεκτρικές γραμμές. Κίνδυνος ηλεκτροπληξίας.



Να φοράτε κράνος και προστατευτικά για τα μάτια και τα αυτιά.



Να φοράτε προστατευτικά γάντια.



Να φοράτε ανθεκτικές μπότες με αντιολισθητικές σόλες.



Οι παρευρισκόμενοι και τα ζώα πρέπει να βρίσκονται τουλάχιστον 15 m μακριά από το ηλεκτρικό εργαλείο.



Να κρατάτε όλα τα άτομα και τα κατοικίδια ζώα μακριά από την περιοχή εργασίας.



Εγγυημένη στάθμη ηχητικής ισχύος σύμφωνα με την Οδηγία της ΕΕ για την εκπομπή θορύβου σε εξωτερικούς χώρους.



Στάθμη ηχητικής ισχύος σύμφωνα με τον Κανονισμό ελέγχου θορύβου της Νέας Νότιας Ουαλίας της Αυστραλίας

Προοριζόμενη χρήση

Αυτό το προσάρτημα έχει σχεδιαστεί μόνο για το κόψιμο φυλλωδών φραχτών σε συνδυασμό με μια εγκεκριμένη μονάδα ισχύος. Μη χρησιμοποιείτε ποτέ το προσάρτημα για άλλους σκοπούς. Η κακή χρήση του προσαρτήματος μπορεί να προκαλέσει σοβαρό τραυματισμό.

Δήλωση συμμόρφωσης ΕΚ

Μόνο για χώρες της Ευρώπης

Εμείς ως οι κατασκευαστές: **Makita Europe N.V.**, Διεύθυνση επιχείρησης: **Jan-Baptist Vinkstraat 2 3070 Kortenberg ΒΕΛΓΙΟ**. Εξουσιοδοτούμε τον **Hiroshi Tsujimura** για τη σύνταξη του τεχνικού αρχείου και δηλώνουμε, υπό την αποκλειστική μας ευθύνη, ότι το(α) προϊόν(τα), Προσδιορισμός: **Προσάρτημα κλαδευτηριού**. Προσδιορισμός τύπου(ων): **EN402MP**. Ικανοποιεί όλες τις σχετικές διατάξεις της οδηγίας **2006/42/ΕΚ** και επίσης ικανοποιεί όλες τις σχετικές διατάξεις των ακόλουθων Οδηγιών ΕΚ/ΕΕ: **2000/14/ΕΚ** και κατασκευάζονται σύμφωνα με τα ακόλουθα εναρμονισμένα πρότυπα: **EN62841-1:2015, EN 62841-4-2:2019, EN ISO 11806-1:2011**. Τόπος και ημερομηνία δήλωσης: **Kortenberg, Βέλγιο. 20. 12. 2022**
Υπεύθυνος: **Hiroshi Tsujimura, Διευθυντής - Makita Europe N.V.**

ΠΡΟΕΙΔΟΠΟΙΗΣΕΙΣ ΑΣΦΑΛΕΙΑΣ

Προειδοποιήσεις ασφάλειας για το φορητό κονταροψάλιδο μπορντούρας

1. Απομακρύνετε όλα τα μέρη του σώματος από τη λάμα. Μην αφαιρείτε το κομμένο υλικό και μην κρατάτε το υλικό προς κοπή όταν οι λάμες κινούνται. Οι λάμες συνεχίζουν να κινούνται μετά την απενεργοποίηση του διακόπτη. Μια στιγμή απροσεξίας κατά τη διάρκεια χειρισμού του ψαλιδιού μπορντούρας μπορεί να προκαλέσει σοβαρό τραυματισμό.
2. Μεταφέρετε το ψαλίδι μπορντούρας από τη λαβή με τη λάμα σταματημένη και προσέχετε να μην θέσετε τον διακόπτη λειτουργίας σε λειτουργία. Η σωστή μεταφορά του ψαλιδιού μπορντούρας θα μειώσει τον κίνδυνο αθέλητης έναρξης και τον επακόλουθο προσωπικό τραυματισμό από τις λάμες.
3. Κατά τη μεταφορά ή την αποθήκευση του ψαλιδιού μπορντούρας, να τοποθετείτε πάντα το κάλυμμα της λάμας. Ο σωστός χειρισμός του ψαλιδιού μπορντούρας θα μειώσει τον κίνδυνο προσωπικού τραυματισμού από τις λάμες.
4. Όταν καθαρίζετε μπλοκαρισμένο υλικό ή πραγματοποιείτε σέρβις στη μονάδα, να βεβαιώνετε ότι όλοι οι διακόπτες λειτουργίας είναι σβηστοί και η κασέτα μπαταριών έχει αφαιρεθεί ή αποσυνδεθεί. Η απρόσμενη ενεργοποίηση του ψαλιδιού μπορντούρας κατά τον καθαρισμό του μπλοκαρισμένου υλικού ή το σέρβις μπορεί να έχει ως αποτέλεσμα σοβαρό προσωπικό τραυματισμό.
5. Κρατάτε το ψαλίδι μπορντούρας μόνο από τις μονωμένες επιφάνειες λαβής επειδή η λάμα μπορεί να κάνει επαφή με το κρυμμένο καλώδιο. Σε περίπτωση επαφής των κίμων με ηλεκτροφόρο καλώδιο, μπορεί τα εκτεθειμένα μεταλλικά εξαρτήματα του ψαλιδιού μπορντούρας να καταστούν τα ίδια ηλεκτροφόρα και να προκαλέσουν ηλεκτροπληξία στο χειριστή.
6. Να κρατάτε όλα τα ηλεκτρικά καλώδια και τα σύρματα μακριά από την περιοχή κοπής. Τα ηλεκτρικά καλώδια ή τα σύρματα μπορεί να είναι κρυμμένα στις μπορντούρες ή τους θάμνους και να κοπούν κατά λάθος από τη λάμα.
7. Μην χρησιμοποιείτε το ψαλίδι μπορντούρας σε άσχημες καιρικές συνθήκες, ειδικά όταν υπάρχει κίνδυνος κεραυνών. Αυτό μειώνει τον κίνδυνο να χτυπηθείτε από κεραυνό.
8. Για να μειώσετε τον κίνδυνο ηλεκτροπληξίας, μην χρησιμοποιείτε ποτέ το κονταροψάλιδο μπορντούρας κοντά σε οποιοσδήποτε ηλεκτρικές γραμμές ή η χρήση κοντά σε αυτές μπορεί να προκαλέσει σοβαρό τραυματισμό ή ηλεκτροπληξία με αποτέλεσμα τον θάνατο.
9. Να χρησιμοποιείτε πάντα δύο χέρια όταν χρησιμοποιείτε το κονταροψάλιδο μπορντούρας. Να κρατάτε το κονταροψάλιδο μπορντούρας και με τα δύο χέρια για να αποφεύγεται η απώλεια ελέγχου.

10. Να χρησιμοποιείτε πάντα προστασία κεφαλίου κατά τη λειτουργία του κονταροψάλιδου μπορντούρας από ύψος. Η πτώση θραυσμάτων μπορεί να έχει ως αποτέλεσμα σοβαρό προσωπικό τραυματισμό.

Επιπρόσθετες οδηγίες για την ασφάλεια

Προειδοποιήσεις

1. ΑΥΤΟ ΤΟ ΨΑΛΙΔΙ ΜΠΟΡΝΤΟΥΡΑΣ ΜΠΟΡΕΙ ΝΑ ΠΡΟΚΑΛΕΣΕΙ ΣΟΒΑΡΟΥΣ ΤΡΑΥΜΑΤΙΣΜΟΥΣ. Διαβάστε τις οδηγίες προσεκτικά για το σωστό χειρισμό, προετοιμασία, συντήρηση, εκκίνηση και διακοπή του εργαλείου. Εξοικειωθείτε με όλα τα χειριστήρια και τη σωστή χρήση του εργαλείου.
2. Ελέγχετε τους φράχτες από θάμνους και τους θάμνους για ξένα αντικείμενα, όπως συρμάτινους φράχτες ή κρυμμένα καλώδια, πριν θέσετε σε λειτουργία το εργαλείο.
3. Το ψαλίδι μπορντούρας δεν πρέπει να χρησιμοποιείται από παιδιά και νέους κάτω των 18 ετών. Εξαιρούνται από αυτήν την απαγόρευση οι νέοι άνω των 16 ετών που εκπαιδεύονται υπό την επίβλεψη ειδικού.
4. Σε περίπτωση επείγουσας ανάγκης, απενεργοποιήστε αμέσως το εργαλείο και αφαιρέστε την κασέτα μπαταριών.
5. ΚΙΝΔΥΝΟΣ - Να διατηρείτε τα χέρια σας μακριά από τη λάμα. Η επαφή με τη λάμα θα έχει ως αποτέλεσμα σοβαρό προσωπικό τραυματισμό.
6. Όσοι χρησιμοποιούν το εργαλείο για πρώτη φορά θα πρέπει να ζητήσουν από έναν έμπειρο χρήστη να τους δείξει πώς να χρησιμοποιήσουν το εργαλείο.
7. Πριν τη λειτουργία, εξετάστε αν υπάρχουν συρμάτινοι φράχτες, πέτρες ή άλλα στερεά αντικείμενα στην περιοχή εργασίας. Μπορεί να προκαλέσουν ζημιά στις λάμες.
8. Να χρησιμοποιείτε το ψαλίδι μπορντούρας μόνο αν βρίσκεστε σε καλή σωματική κατάσταση. Αν είστε κουρασμένοι, η προσοχή σας θα είναι μειωμένη. Προσέξτε ιδιαίτερα κατά το τέλος της μέρας εργασίας. Εκτελέστε όλες τις εργασίες με ηρεμία και προσοχή. Ο χρήστης είναι υπεύθυνος για όλες τις ζημιές σε άλλα άτομα.
9. Πριν ξεκινήσετε οποιαδήποτε εργασία, ελέγξτε για να βεβαιωθείτε ότι το ψαλίδι βρίσκεται σε καλή και ασφαλή κατάσταση εργασίας. Βεβαιωθείτε ότι οι προφυλακτικές είναι τοποθετημένα σωστά. Το ψαλίδι μπορντούρας δεν πρέπει να χρησιμοποιηθεί αν δεν είναι πλήρως συναρμολογημένο.
10. Να αποφεύγετε τα επικίνδυνα περιβάλλοντα. Μην χρησιμοποιείτε το εργαλείο σε υγραμένο ή υγρό χώρο ούτε να το εκθέτετε στη βροχή. Η είσοδος νερού στο εργαλείο μπορεί να αυξήσει τον κίνδυνο πρόκλησης ηλεκτροπληξίας.

Προσωπικός προστατευτικός εξοπλισμός

1. Τα γάντια εργασίας από ανθεκτικό δέρμα αποτελούν μέρος του βασικού εξοπλισμού του ψαλιδιού μπορντούρας και πρέπει πάντα να φοριούνται κατά την εργασία με αυτό. Επίσης, να φοράτε σταθερά παπούτσια με αντιολισθητικές σόλες.

2. Φοράτε προστατευτικά αυτιών, όπως ωτοασπίδες, για να αποτρέψετε την απώλεια της ακοής σας.
3. Φοράτε προστατευτικά γυαλιά, κράνος ασφαλείας και προστατευτικά γάντια για να προστατεύσετε τον εαυτό σας από τα αντικείμενα που εκτοξεύονται ή πέφτουν.
4. Όταν αγγίζετε λάμες ή ρυθμίζετε τη γωνία λάμας, να φοράτε προστατευτικά γάντια. Οι λάμες μπορούν να κόψουν σοβαρά τα γυμνά χέρια.

Λειτουργία

1. Να χρησιμοποιείτε πάντα και τα δύο χέρια για να θέσετε σε λειτουργία το εργαλείο. Αν χρησιμοποιήσετε ένα χέρι, μπορεί να προκληθεί απώλεια ελέγχου και να έχει ως αποτέλεσμα σοβαρό προσωπικό τραυματισμό.
2. Ενώ λειτουργείτε το εργαλείο, να εξασφαλίζετε πάντα ότι η θέση λειτουργίας είναι ασφαλής και ασφαλισμένη. Είναι εξαιρετικά επικίνδυνο να τεντώνετε ενώ χρησιμοποιείτε το εργαλείο, ειδικά όταν βρίσκεστε επάνω σε σκάλα. Μην εργάζεστε ενώ στέκεστε επάνω σε ο,τιδήποτε ασταθές ή αδύναμο.
3. Μην φοράτε ταυτόχρονα πολλαπλούς ιμάντες ζώνης ή/και ιμάντες ώμου ενώ λειτουργείτε το εργαλείο.
4. Κατά τη διάρκεια της λειτουργίας, οι παρευρισκόμενοι ή τα ζώα πρέπει να παραμένουν τουλάχιστον 15 μέτρα μακριά από το εργαλείο. Να διακόπτετε τη λειτουργία του εργαλείου μόλις κάποιος πλησιάσει.
5. Αν το κοπτικό εργαλείο χτυπήσει οποιοδήποτε αντικείμενο ή το εργαλείο αρχίσει να παράγει ασυνήθιστο θόρυβο ή δόνηση, σβήστε αμέσως το εργαλείο και βγάλτε την κασέτα μπαταριών, και αφήστε το εργαλείο να ακινητοποιηθεί. Και μετά πραγματοποιήστε τα ακόλουθα βήματα:
 - επιθεωρήστε για ζημιά
 - ελέγξτε για χαλαρά μέρη και σφίξτε τα ανάλογα
 - αντικαταστήστε ή επισκευάστε τυχόν κατεστραμμένα εξαρτήματα με γνήσια ανταλλακτικά.
6. Να χρησιμοποιείτε το εργαλείο μόνο για το ενδεδειγμένο σκοπό του. Μην χρησιμοποιείτε το εργαλείο για οποιονδήποτε άλλο σκοπό.
7. Απενεργοποιήστε το εργαλείο και αφαιρέστε την κασέτα μπαταριών πριν:
 - τον καθαρισμό ή πριν καθαρίσετε κάποια εμπλοκή,
 - ελέγξετε, εκτελέσετε συντήρηση ή εκτελέσετε εργασίες στο εργαλείο,
 - ρυθμίσετε τη θέση εργασίας των λαμών κουρευτικού,
 - αφήσετε το εργαλείο χωρίς επιτήρηση.
8. Βεβαιωθείτε ότι το εργαλείο έχει τοποθετηθεί σωστά στην καθορισμένη θέση εργασίας πριν την εκκίνηση του εργαλείου.
9. Μην λειτουργείτε το εργαλείο με κατεστραμμένες ή υπερβολικά φθαρμένες λάμες κουρευτικού.
10. Να γνωρίζετε τον περιβάλλοντα χώρο και να είσαστε σε ετοιμότητα για πιθανούς κινδύνους που μπορεί να μην γνωρίζετε λόγω του θορύβου του εργαλείου.

11. Κατά τη λειτουργία, προσέχετε να μην έρθει το εργαλείο σε επαφή με μεταλλικό φράχτη ή άλλα σκληρά αντικείμενα. Η λάμα θα σπάσει και μπορεί να προκαλέσει σοβαρό τραυματισμό.
12. Να αποφεύγετε την αθέλητη εκκίνηση του εργαλείου. Μην μεταφέρετε το εργαλείο όταν η κασέτα μπαταριών είναι τοποθετημένη και με το δάκτυλο στο διακόπτη. Να βεβαιώνετε ότι ο διακόπτης είναι σβηστός όταν τοποθετείτε την κασέτα μπαταριών.
13. Μην πιάνετε τις εκτεθειμένες λάμες κοπής ή τα κοπτικά άκρα όταν σηκώνετε ή κρατάτε το εργαλείο.
14. Μην ασκείτε δύναμη στο εργαλείο. Το εργαλείο θα πραγματοποιήσει την εργασία καλύτερα και με μικρότερη πιθανότητα για κίνδυνο τραυματισμού στο ρυθμό για τον οποίο σχεδιάστηκε.
15. Μην χρησιμοποιήσετε το εργαλείο στη βροχή ή σε βρεγμένες ή πολύ υγρές συνθήκες. Το ηλεκτρικό μοτέρ δεν είναι αδιάβροχο.
16. Κρατήστε το εργαλείο σταθερά όταν χρησιμοποιείτε το εργαλείο.
17. Μην θέτετε το εργαλείο σε λειτουργία χωρίς φορτίο όταν αυτό δεν είναι απαραίτητο.
18. Πριν ελέγξετε τις λάμες κουρευτικού, διορθώστε μια βλάβη ή αφαιρέστε ξένα υλικά που πιάνονται στις λάμες κουρευτικού, να σβήνετε πάντα το εργαλείο και να βγάξετε την κασέτα μπαταριών.
19. Μην στρέψετε ποτέ τις λάμες κουρευτικού προς το μέρος σας ή προς τους άλλους.
20. Αν οι λάμες σταματήσουν να κινούνται επειδή κόλλησαν ξένα αντικείμενα μεταξύ των λαμών κατά τη λειτουργία, σβήστε το εργαλείο και αφαιρέστε την κασέτα μπαταριών, μετά αφαιρέστε το ξένο αντικείμενο χρησιμοποιώντας κάποιο εργαλείο, όπως μια πένα. Η αφαίρεση των ξένων αντικειμένων με το χέρι μπορεί να προκαλέσει τραυματισμό, επειδή οι λάμες μπορεί να κινηθούν σε αντίδραση της αφαίρεσης των ξένων αντικειμένων.
21. Όταν προσαρτάτε ή αφαιρείτε το κάλυμμα λαμών, προσέχετε να μην τραυματίσετε τα χέρια σας.

Ηλεκτρική ασφάλεια και ασφάλεια μπαταρίας

1. Να αποφεύγετε τα επικίνδυνα περιβάλλοντα. Μην χρησιμοποιείτε το εργαλείο σε υγραμένο ή υγρό χώρο ούτε να το εκθέτετε στη βροχή. Η είσοδος νερού στο εργαλείο μπορεί να αυξήσει τον κίνδυνο πρόκλησης ηλεκτροπληξίας.
2. Μην απορρίπτετε την μπαταρία(ίες) στη φωτιά. Το καί μπορεί να εκραγεί. Συμβουλευτείτε τους τοπικούς κώδικες για πιθανές ειδικές οδηγίες απόρριψης.
3. Μην απορρίπτετε και μην καταστρέψετε την μπαταρία(ίες). Ο ηλεκτρολύτης που εκλύεται είναι διαβρωτικός και μπορεί να προκαλέσει ζημιά στα μάτια ή στο δέρμα. Σε περίπτωση κατάποσης, μπορεί να είναι τοξικό.
4. Μην φορτίζετε την μπαταρία στη βροχή, αλλά ούτε σε υγρές τοποθεσίες.
5. Μην φορτίζετε τη μπαταρία σε εξωτερικό χώρο.
6. Μην χειρίζεστε τον φορτιστή, συμπεριλαμβανομένου του φινιρίσματος, και τους ακροδέκτες φορτιστή με βρεγμένα χέρια.

Συντήρηση και αποθήκευση

1. Όταν το εργαλείο διακοπεί για συντήρηση, επιθεώρηση ή αποθήκευση, σβήστε το εργαλείο και αφαιρέστε την κασέτα μπαταριών, και βεβαιωθείτε ότι όλα τα κινούμενα εξαρτήματα έχουν ακινητοποιηθεί. Αφήστε το εργαλείο να ψυχθεί πριν πραγματοποιήσετε οποιαδήποτε επιθεώρηση, ρύθμιση, κτλ.
2. Να αφήνετε πάντα το εργαλείο να ψυχθεί πριν την αποθήκευση.
3. Όταν δεν χρησιμοποιείτε το εργαλείο, προσαρτήστε το κάλυμμα λαμών στο εργαλείο και αποθηκεύστε το εργαλείο σε εσωτερικό χώρο σε ένα στεγνό και υψηλό κλειδωμένο σημείο, που δεν φτάνουν τα παιδιά.
4. Να συντηρείτε το εργαλείο με φροντίδα. Να διατηρείτε το κοπτικό άκρο αιχμηρό και καθαρό, για τη βέλτιστη απόδοση και τη μείωση του κινδύνου τραυματισμού. Να ακολουθείτε τις οδηγίες για τη λίπανση και την αλλαγή των εξαρτημάτων. Να φροντίζετε ώστε οι λαβές να διατηρούνται στεγνές, καθαρές και χωρίς ίχνη λαδιού ή γράσου.
5. Να ελέγχετε τα μέρη με ζημιά. Πριν από την περαιτέρω χρήση του εργαλείου, θα πρέπει να ελέγχετε προσεκτικά τυχόν εξάρτημα με ζημιά για να καθορίσετε αν θα λειτουργήσουν σωστά και αν θα πραγματοποιήσουν την προοριζόμενη λειτουργία τους. Ελέγξτε την ευθυγράμμιση των κινούμενων μερών, την ελεύθερη κίνηση των κινούμενων μερών, το τυχόν σπάσιμο εξαρτημάτων, τη στερέωση και οποιαδήποτε άλλη συνθήκη που ενδεχομένως να επηρεάσει τη λειτουργία του εργαλείου. Ένας προφυλακτήρας ή άλλο εξάρτημα με ζημιά θα πρέπει να επισκευαστεί ή να αντικατασταθεί σωστά σε εξουσιοδοτημένο κέντρο σέρβις.
6. Να χρησιμοποιείτε μόνο γνήσια ανταλλακτικά.
7. Όταν μετακινείτε το εργαλείο σε άλλη τοποθεσία, συμπεριλαμβανόντας κατά τη διάρκεια της εργασίας, να αφαιρείτε πάντα την κασέτα μπαταριών και να τοποθετείτε το κάλυμμα λαμών στις λάμες κουρευτικού. Μην μεταφέρετε ποτέ το εργαλείο με τις λάμες σε λειτουργία. Μην πιάνετε ποτέ τις λάμες με τα χέρια σας.
8. Να καθαρίζετε το εργαλείο, και ειδικά τις λάμες κουρευτικού, μετά τη χρήση και πριν τοποθετήσετε το εργαλείο για αποθήκευση για μεγάλες χρονικές περιόδους. Λιπάνετε ελαφρώς τις λάμες κουρευτικού και τοποθετήστε το κάλυμμα λαμών.
9. Μην απορρίπτετε την μπαταρία(ιες) στη φωτιά. Το κελί μπορεί να εκραγεί. Συμβουλευτείτε τους τοπικούς κώδικες για πιθανές ειδικές οδηγίες απόρριψης.
10. Μην απορρίπτετε και μην καταστρέψετε την μπαταρία(ιες). Ο ηλεκτρολύτης που εκλύεται είναι διαβρωτικός και μπορεί να προκαλέσει ζημιά στα μάτια ή στο δέρμα. Σε περίπτωση κατάποσης, μπορεί να είναι τοξικό.
11. Μην φορτίζετε την μπαταρία στη βροχή, αλλά ούτε σε υγρές τοποθεσίες.

ΦΥΛΑΞΤΕ ΤΙΣ ΟΔΗΓΙΕΣ ΑΥΤΕΣ.

▲ΠΡΟΕΙΔΟΠΟΙΗΣΗ: ΜΗΝ επιτρέψετε το βαθμό άνεσης ή εξοικείωσης με το προϊόν (λόγω επανειλημμένης χρήσης) να αντικαταστήσει την αυστηρή τήρηση των κανόνων ασφαλείας του παρόντος εργαλείου. Η **ΛΑΝΘΑΣΜΕΝΗ ΧΡΗΣΗ** ή η αμέλεια να ακολουθήσετε τους κανόνες ασφαλείας που διατυπώνονται στο παρόν εγχειρίδιο οδηγιών μπορεί να προκαλέσει σοβαρό προσωπικό τραυματισμό.

ΠΕΡΙΓΡΑΦΗ ΕΞΑΡΤΗΜΑΤΩΝ

- **Εικ. 1:** 1. Κάλυμμα λαμών 2. Λαβή ρύθμισης γωνίας 3. Καπάκι 4. Λάμες κουρευτικού 5. Μοχλός ολίσθησης 6. Μπροστινή λαβή

ΣΥΝΑΡΜΟΛΟΓΗΣΗ

▲ΠΡΟΕΙΔΟΠΟΙΗΣΗ: Πριν συναρμολογήσετε ή ρυθμίσετε τον εξοπλισμό, σβήστε το μοτέρ και βγάλτε την κασέτα μπαταριών. Διαφορετικά, το μηχανήμα μπορεί να ξεκινήσει απρόσμενα και να προκληθεί τραυματισμός.

▲ΠΡΟΕΙΔΟΠΟΙΗΣΗ: Όταν συναρμολογείτε ή ρυθμίσετε τον εξοπλισμό, να τον αφήνετε πάντα κάτω. Η συναρμολόγηση ή ρύθμιση του εξοπλισμού σε όρθια θέση μπορεί να έχει ως αποτέλεσμα σοβαρό τραυματισμό.

▲ΠΡΟΕΙΔΟΠΟΙΗΣΗ: Ακολουθήστε τις προειδοποιήσεις και προφυλάξεις στο κεφάλαιο «ΠΡΟΕΙΔΟΠΟΙΗΣΕΙΣ ΑΣΦΑΛΕΙΑΣ» και το εγχειρίδιο οδηγιών της ηλεκτρικής μονάδας.

Συναρμολόγηση προσάρτηματος

1. Αφαιρέστε το καπάκι από το προσάρτημα.

► **Εικ.2:** 1. Καπάκι

2. Εισαγάγετε τον σωλήνα στο προσάρτημα με τρόπο ώστε η οπή στον σωλήνα να είναι ευθυγραμμισμένη με την οπή στο προσάρτημα. Σφίξτε καλά το κοντό μπουλόνι πρώτα και μετά σφίξτε το μακρύ μπουλόνι για να στερεώσετε τον σωλήνα.

► **Εικ.3:** 1. Οπή 2. Σωλήνας 3. Μπουλόνι (κοντό) 4. Μπουλόνι (μακρύ)

ΠΑΡΑΤΗΡΗΣΗ: Όταν σφίγγετε τα μπουλόνια, ασκήστε 4,0 - 6,0 N•m ως ροπή σύσφιξης.

Τοποθέτηση του πρόσθετου σωλήνα

⚠ ΠΡΟΣΟΧΗ: Να ελέγχετε πάντα ότι ο πρόσθετος σωλήνας είναι ασφαλισμένος μετά την τοποθέτηση. Η λανθασμένη τοποθέτηση μπορεί να προκαλέσει την πτώση του προσαρτήματος από την ηλεκτρική μονάδα και προσωπικό τραυματισμό.

Τοποθετήστε τον πρόσθετο σωλήνα στην ηλεκτροκίνητη μονάδα.

1. Αφαιρέστε το καπάκι από το άκρο του σωλήνα.
▶ **Εικ.4:** 1. Σωλήνας 2. Καπάκι

ΕΙΔΟΠΟΙΗΣΗ: Μην απορρίψετε το καπάκι επειδή το καπάκι είναι απαραίτητο για την αποθήκευση του προσαρτήματος.

2. Γυρίστε το μοχλό προς το προσάρτημα.
▶ **Εικ.5:** 1. Μοχλός
3. Ευθυγραμμίστε τον πείρο με το σημάδι βέλους στη μονάδα ισχύος. Εισαγάγετε τον σωλήνα μέχρι να πεταχτεί το κουμπί απασφάλισης.
Βεβαιωθείτε ότι η γραμμή τοποθέτησης βρίσκεται στη μύτη του σημάδιου βέλους στη μονάδα ισχύος, καθώς και το σημάδι βέλους στη μονάδα ισχύος και το σημάδι βέλους στο σωλήνα είναι αντικριστά.
▶ **Εικ.6:** 1. Κουμπί απασφάλισης 2. Σημάδι βέλους στη μονάδα ισχύος 3. Πείρος 4. Γραμμή τοποθέτησης 5. Σημάδι βέλους στο σωλήνα

4. Γυρίστε το μοχλό προς την ηλεκτρική μονάδα.
▶ **Εικ.7:** 1. Μοχλός

Βεβαιωθείτε ότι η επιφάνεια του μοχλού είναι παράλληλη προς το σωλήνα.

ΕΙΔΟΠΟΙΗΣΗ: Μη σφίξετε το μοχλό χωρίς να έχετε εισαγάγει τον πρόσθετο σωλήνα. Διαφορετικά, ο μοχλός μπορεί να σφίξει πολύ την είσοδο του άξονα κίνησης και να προκαλέσει ζημιά σε αυτή.

- Για να αφαιρέσετε το σωλήνα, γυρίστε το μοχλό προς το προσάρτημα και τραβήξτε το σωλήνα προς τα έξω ενώ πιέζετε ταυτόχρονα προς τα κάτω το κουμπί απασφάλισης.
- ▶ **Εικ.8:** 1. Κουμπί απασφάλισης 2. Μοχλός 3. Σωλήνας

Τοποθέτηση ή αφαίρεση των λαμών κουρευτικού

⚠ ΠΡΟΣΟΧΗ: Όταν αντικαθιστάτε τις λάμες κουρευτικού, να φοράτε πάντα γάντια για να μην έρχονται τα χέρια σας σε απευθείας επαφή με τις λάμες.

⚠ ΠΡΟΣΟΧΗ: Προσαρτήστε το κάλυμμα λαμών πριν αφαιρέσετε ή τοποθετήσετε τις λάμες κουρευτικού.

ΕΙΔΟΠΟΙΗΣΗ: Όταν αντικαθιστάτε τις λάμες κουρευτικού, μη σκουπίζετε το γράσο από τον στρόφαλο.

ΠΑΡΑΤΗΡΗΣΗ: Πριν τοποθετήσετε ή αφαιρέσετε τις λάμες κουρευτικού, ξεδιπλώστε το προσάρτημα με τρόπο ώστε το προσάρτημα να βρίσκεται σε ευθεία με τον σωλήνα.

1. Προσαρτήστε το κάλυμμα λαμών στις λάμες κουρευτικού.
▶ **Εικ.9:** 1. Κάλυμμα λαμών
2. Τοποθετήστε το προσάρτημα ανάποδα.
3. Αφαιρέστε 4 μπουλόνια με το εξαγωνικό κλειδί και αφαιρέστε το κάλυμμα και την πλάκα (μεγάλη).
▶ **Εικ.10:** 1. Μπουλόνι 2. Κάλυμμα 3. Πλάκα (μεγάλη)
4. Περιστρέψτε τον στρόφαλο με το κατασβίδι με επίπεδη μύτη, με τρόπο ώστε ο στρόφαλος να είναι τοποθετημένος προς την κατεύθυνση που απεικονίζεται στην εικόνα.
▶ **Εικ.11:** 1. Στρόφαλος
5. Αφαιρέστε τα 2 μπουλόνια.
▶ **Εικ.12:** 1. Μπουλόνι
6. Αφαιρέστε το πίλημα (κοντό), το πίλημα (μακρύ), την πλάκα (μικρή) και τα χιτώνια.
▶ **Εικ.13:** 1. Πίλημα (κοντό) 2. Πίλημα (μακρύ) 3. Πλάκα (μικρή) 4. Χιτώνιο
7. Αφαιρέστε τις λάμες κουρευτικού από το προσάρτημα.
▶ **Εικ.14**
8. Αφαιρέστε το κάλυμμα λαμών και μετά προσαρτήστε το στις καινούριες λάμες κουρευτικού.
9. Αφαιρέστε το προστατευτικό σκόνης από τις λάμες κουρευτικού και μετά προσαρτήστε το στη θέση που απεικονίζεται στην εικόνα στις νέες λάμες κουρευτικού.
▶ **Εικ.15:** 1. Προστατευτικό σκόνης
10. Εισαγάγετε το μπουλόνι που αφαιρέθηκε στο βήμα 5 στην οπή στις λάμες κουρευτικού μέσω της οπής στο κάλυμμα λαμών.
▶ **Εικ.16:** 1. Οπή 2. Μπουλόνι
11. Εφαρμόστε μια μικρή ποσότητα γράσου στην περιφέρεια του στροφάλου. Προσαρτήστε τις λάμες κουρευτικού στο προσάρτημα.
▶ **Εικ.17**
12. Προσαρτήστε τα χιτώνια, την πλάκα (μικρή) στις λάμες κουρευτικού και μετά σφίξτε το μπουλόνι.
▶ **Εικ.18:** 1. Μπουλόνι 2. Πλάκα (μικρή) 3. Χιτώνιο
13. Αφαιρέστε το μπουλόνι που είχατε εισάγει στην οπή στις λάμες κουρευτικού στο βήμα 10 και μετά σφίξτε την για να στερεώσετε τις λάμες κουρευτικού.
14. Προσαρτήστε το πίλημα (κοντό) και το πίλημα (μακρύ).
▶ **Εικ.19:** 1. Πίλημα (κοντό) 2. Πίλημα (μακρύ)
15. Προσαρτήστε την πλάκα (μεγάλη) και το κάλυμμα και μετά σφίξτε τα 4 μπουλόνια.
▶ **Εικ.20:** 1. Μπουλόνι 2. Κάλυμμα 3. Πλάκα (μεγάλη)

ΕΙΔΟΠΟΙΗΣΗ: Αν οι λάμες κουρευτικού δεν λειτουργούν σωστά, οι λάμες δεν δεσμεύονται σωστά στον στρόφαλο. Αφαιρέστε τις λάμες και τοποθετήστε τις ξανά.

ΕΙΔΟΠΟΙΗΣΗ: Αν εξαρτήματα εκτός των λαμών κουρευτικού, όπως ο στρόφαλος, είναι φθαρμένα, ζητήστε από ένα εξουσιοδοτημένο κέντρο εξυπηρέτησης της Makita για αντικατάσταση ή επισκευή των εξαρτημάτων.

ΠΕΡΙΓΡΑΦΗ ΛΕΙΤΟΥΡΓΙΑΣ

▲ΠΡΟΣΟΧΗ: Να φροντίζετε πάντα για την απενεργοποίηση του εργαλείου και την αφαίρεση της κασέτας μπαταρίας, πριν από οποιαδήποτε ρύθμιση ή έλεγχο της λειτουργίας του.

Ρύθμιση της γωνίας κοπής

▲ΠΡΟΣΟΧΗ: Να βεβαιώνετε πάντα ότι το εργαλείο είναι απενεργοποιημένο πριν ρυθμίσετε τη γωνία κοπής.

Η γωνία της κεφαλής μπορεί να ρυθμιστεί σε 13 βήματα. Για να αλλάξετε τη γωνία της κεφαλής, ακολουθήστε τα παρακάτω βήματα.

1. Κρατήστε τη λαβή ρύθμισης γωνίας και μετά προσαρμόστε τη γωνία της κεφαλής ενώ τραβάτε τον μοχλό ολίσθησης, και μετά αφήστε τον μοχλό ολίσθησης.
▶ **Εικ.21:** 1. Μοχλός ολίσθησης 2. Λαβή ρύθμισης γωνίας
2. Μετακινήστε λίγο την κεφαλή μέχρι να ασφαλιστεί με ένα κλικ.

ΠΑΡΑΤΗΡΗΣΗ: Βεβαιωθείτε ότι η κεφαλή έχει ασφαλιστεί καλά πριν λειτουργήσετε το εργαλείο.

ΛΕΙΤΟΥΡΓΙΑ

▲ΠΡΟΕΙΔΟΠΟΙΗΣΗ: Ακολουθήστε τις προειδοποιήσεις και προφυλάξεις στο κεφάλαιο «ΠΡΟΕΙΔΟΠΟΙΗΣΕΙΣ ΑΣΦΑΛΕΙΑΣ» και το γχειρίδιο οδηγιών της ηλεκτρικής μονάδας.

Λειτουργία του εργαλείου

▲ΠΡΟΕΙΔΟΠΟΙΗΣΗ: Μην χρησιμοποιείτε το εργαλείο κοντά σε ηλεκτρικές γραμμές. Η επαφή με ηλεκτρικές γραμμές ή η χρήση του εργαλείου κοντά σε ηλεκτρικές γραμμές μπορεί να προκαλέσει σοβαρό τραυματισμό ή ηλεκτροπληξία με αποτέλεσμα τον θάνατο.

▲ΠΡΟΕΙΔΟΠΟΙΗΣΗ: Να κρατάτε τα χέρια σας μακριά από τις λάμες κουρευτικού.

▲ΠΡΟΕΙΔΟΠΟΙΗΣΗ: Δώστε μεγάλη προσοχή για να διατηρήσετε τον έλεγχο του εργαλείου ανά πάσα στιγμή. Μην αφήνετε το εργαλείο να εκτραπεί προς το μέρος σας ή προς οποιονδήποτε άλλον στην περιοχή εργασίας. Αν δεν διατηρήτε τον έλεγχο του εργαλείου, μπορεί να προκύψει σοβαρός τραυματισμός σε παρευρισκόμενους και στο χειριστή.

▲ΠΡΟΣΟΧΗ: Αποφύγετε τη λειτουργία του εργαλείου σε πολύ ζεστό καιρό, όσο αυτό είναι εφικτό. Όταν χρησιμοποιείτε το εργαλείο, να προσέχετε τη σωματική σας κατάσταση.

▲ΠΡΟΣΟΧΗ: Κατά το ψαλίδισμα, προσέχετε να μην έρθει το εργαλείο σε επαφή με μεταλλικό φράχτη ή άλλα σκληρά αντικείμενα. Οι λάμες κουρευτικού μπορεί να σπάσουν και να προκαλέσουν τραυματισμό.

▲ΠΡΟΣΟΧΗ: Προσέξτε να μην αφήσετε τις λάμες κουρευτικού να έρθουν σε επαφή με το έδαφος. Διαφορετικά το εργαλείο μπορεί να ανατυλιχτεί και να προκαλέσει τραυματισμό.

▲ΠΡΟΣΟΧΗ: Είναι εξαιρετικά επικίνδυνο να τεντώνετε με το ψαλίδι μπορντούρας, ειδικά όταν βρίσκεστε επάνω σε σκάλα. Μην εργάζεστε ενώ στέκεστε επάνω σε ο,τιδήποτε ασταθές ή αδύναμο.

ΕΙΔΟΠΟΙΗΣΗ: Μην επιχειρήσετε να κόβετε κλαδιά με διάμετρο μεγαλύτερη από 10 mm με το εργαλείο. Κόψτε τα κλαδιά στα 10 cm κάτω από το ύψος κοπής χρησιμοποιώντας κλαδευτήρες πριν χρησιμοποιήσετε το εργαλείο.

▶ **Εικ.22:** (1) Ύψος κοπής (2) 10 cm

ΕΙΔΟΠΟΙΗΣΗ: Μην κόβετε νεκρά δέντρα ή παρόμοια σκληρά αντικείμενα. Μπορεί να προκληθεί ζημιά στο εργαλείο.

ΕΙΔΟΠΟΙΗΣΗ: Μην ψαλιδίζετε το γκαζόν ή τα αγριόχορτα ενώ χρησιμοποιείτε τις λάμες κουρευτικού. Οι λάμες κουρευτικού μπορεί να μπερδευτούν στο γκαζόν ή στα αγριόχορτα.

Κρατήστε το εργαλείο με τα δύο χέρια ενώ κρατάτε την μπροστινή λαβή της μονάδας ισχύος ή την μπροστινή λαβή του προσαρτήματος και την πίσω λαβή της μονάδας ισχύος.

▶ **Εικ.23:** 1. Μπροστινή λαβή 2. Πίσω λαβή

Τραβήξτε τη σκανδάλη διακόπτη ενώ πατάτε τον μοχλό απασφάλισης και μετά μετακινήστε το εργαλείο προς τα μπροστά.

▶ **Εικ.24**

Για βασική λειτουργία, γείρετε τις λάμες κουρευτικού προς την κατεύθυνση ψαλιδίσματος και μετακινήστε τις ήρεμα και αργά με ταχύτητα 3 έως 4 δευτερόλεπτα το μέτρο.

▶ **Εικ.25**

Για να κόψετε ομοιόμορφα την πλευρά μπορντούρας, να κουρεύετε από το κάτω μέρος προς τα πάνω.

▶ **Εικ.26**

Όταν ψαλιδίζετε για να δώσετε ένα στρογγυλό σχήμα (ψαλίδισμα πυξαρίου ή ροδόδεντρου, κτλ.), να ψαλιδίζετε από τη ρίζα προς τα πάνω, για ένα όμορφο τελείωμα.

▶ **Εικ.27**

ΣΥΝΤΗΡΗΣΗ

▲ ΠΡΟΕΙΔΟΠΟΙΗΣΗ: Πριν επιθεωρήσετε ή συντηρήσετε τον εξοπλισμό, σβήστε το μοτέρ και βγάλτε την κασέτα μπαταριών. Διαφορετικά, το μηχάνημα μπορεί να ξεκινήσει απρόσμενα και να προκληθεί σοβαρός τραυματισμός.

▲ ΠΡΟΕΙΔΟΠΟΙΗΣΗ: Όταν επιθεωρείτε ή συντηρείτε τον εξοπλισμό, να τον αφήνετε πάντα κάτω. Η συναρμολόγηση ή ρύθμιση του εξοπλισμού σε όρθια θέση μπορεί να έχει ως αποτέλεσμα σοβαρό τραυματισμό.

▲ ΠΡΟΕΙΔΟΠΟΙΗΣΗ: Ακολουθήστε τις προειδοποιήσεις και προφυλάξεις στο κεφάλαιο «ΠΡΟΕΙΔΟΠΟΙΗΣΕΙΣ ΑΣΦΑΛΕΙΑΣ» και το εγχειρίδιο οδηγιών της ηλεκτρικής μονάδας.

▲ ΠΡΟΣΟΧΗ: Να φοράτε γάντια όταν εκτελείτε εργασίες επιθεώρησης ή συντήρησης.

ΕΙΔΟΠΟΙΗΣΗ: Μην χρησιμοποιείτε ποτέ βενζίνη, πετρελαϊκό αιθέρα, διαλυτικό, αλκοόλη ή παρόμοιες ουσίες. Μπορεί να προκληθεί αποχρωματισμός, παραμόρφωση ή ρωγμές.

Για τη διατήρηση της ΑΣΦΑΛΕΙΑΣ και ΑΞΙΟΠΙΣΤΙΑΣ του προϊόντος, οι επισκευές και οποιαδήποτε άλλη εργασία συντήρησης ή ρύθμισης πρέπει να εκτελούνται από εξουσιοδοτημένα ή εργοστασιακά κέντρα εξυπηρέτησης της Makita, χρησιμοποιώντας πάντοτε ανταλλακτικά της Makita.

Καθαρισμός του εργαλείου

Καθαρίστε το εργαλείο σκουπίζοντας τη σκόνη με ένα στεγνό πανί ή ένα πανί διαποτισμένο με σαπουνόνερο αφού πρώτα το έχετε στύψει.

ΕΙΔΟΠΟΙΗΣΗ: Μην χρησιμοποιείτε ποτέ βενζίνη, πετρελαϊκό αιθέρα, διαλυτικό, αλκοόλη ή παρόμοιες ουσίες. Μπορεί να προκληθεί αποχρωματισμός, παραμόρφωση ή ρωγμές.

Συντήρηση λαμών κουρευτικού

Πριν τη λειτουργία ή μία φορά κάθε ώρα κατά τη διάρκεια της λειτουργίας, εφαρμόστε λάδι χαμηλού ιξώδους (μηχανέλαιο ή λιπαντικό λάδι σε μορφή σπρέι) στις λάμες κουρευτικού.

► **Εικ.28**

Μετά τη λειτουργία, αφαιρέστε τη σκόνη και από τις δύο πλευρές των λαμών κουρευτικού με μια συρμάτινη βούρτσα, σκουπίστε τις με ένα πανί και μετά εφαρμόστε λάδι χαμηλού ιξώδους (μηχανέλαιο ή λιπαντικό λάδι σε μορφή σπρέι) στις λάμες κουρευτικού.

► **Εικ.29**

ΕΙΔΟΠΟΙΗΣΗ: Μην πλένετε τις λάμες κουρευτικού σε νερό. Αν το κάνετε αυτό, μπορεί να προκληθεί σκουριά ή ζημιά στο εργαλείο.

ΕΙΔΟΠΟΙΗΣΗ: Το χρώμα και η διάβρωση μπορούν να προκαλέσουν υπερβολική τριβή στις λάμες και μείωση του χρόνου λειτουργίας ανά φόρτιση της μπαταρίας.

Αποθήκευση

Προσαρτήστε το κάλυμμα λαμών στις λάμες κουρευτικού με τρόπο ώστε οι λάμες να μην εκτεθούν. Αποθηκεύστε το εργαλείο μακριά από παιδιά. Φυλάξτε το εργαλείο σε ένα μέρος που δεν εκτίθεται στην υγρασία και τη βροχή.

Όταν αποθηκεύετε το προσάρτημα ξεχωριστά από τη μονάδα ισχύος, τοποθετήστε το καπάκι στο άκρο του σωλήνα.

► **Εικ.30**

Λίπανση κινούμενων μερών

ΕΙΔΟΠΟΙΗΣΗ: Ακολουθήστε τις οδηγίες για τη συχνότητα και την παρεχόμενη ποσότητα γράσου. Διαφορετικά, η ανεπαρκής λίπανση μπορεί να προκαλέσει ζημιά στα κινούμενα μέρη.

Άξονας οδήγησης:

Ρίξτε γράσο (γράσο Makita N No.2 ή ισοδύναμο) κάθε 30 ώρες λειτουργίας.

► **Εικ.31**

ΠΑΡΑΤΗΡΗΣΗ: Μπορείτε να αγοράσετε αυθεντικό γράσο της Makita από τον τοπικό σας αντιπρόσωπο της Makita.

Λίπανση με γράσο

Μεσοδιάστημα λίπανσης: Κάθε 25 ώρες λειτουργίας

1. Αφαιρέστε το μπουλόνι από την οπή για λίπανση.

► **Εικ.32:** 1. Μπουλόνι

2. Αφαιρέστε το καπάκι από τον περιέκτη γράσου. Ευθυγραμμίστε την έξοδο του περιέκτη γράσου με την οπή στο κάλυμμα και μετά γυρίστε τον περιέκτη γράσου για να προσαρτήσετε την έξοδο του περιέκτη γράσου στην οπή.

► **Εικ.33:** 1. Περιέκτης γράσου 2. Οπή

3. Εφαρμόστε το γράσο στο εργαλείο (περίπου 3 g ως οδηγό).

4. Αφαιρέστε τον περιέκτη γράσου.

5. Σφίξτε το μπουλόνι.

Ακόνισμα των λαμών κουρευτικού

ΕΙΔΟΠΟΙΗΣΗ: Αν οι λάμες κουρευτικού έχουν παραμορφωθεί σημαντικά από το ακόνισμα, αντικαταστήστε τις λάμες κουρευτικού με καινούριες.

1. Τοποθετήστε τις κασέτες μπαταριών στο εργαλείο.

2. Ενεργοποιήστε και εκκινήστε το εργαλείο ώστε η άνω λάμα και η κάτω λάμα να είναι τοποθετημένες εναλλάξ.

► **Εικ.34**

3. Απενεργοποιήστε το εργαλείο και αφαιρέστε την κασέτα μπαταριών από το εργαλείο.

4. Θέστε την κλίση μιας λίμας στις 45° και ακονίστε την άνω λάμα από 3 κατευθύνσεις με τη λίμα.

► **Εικ.35:** (1) Λίμα (2) 45°

⚠ ΠΡΟΣΟΧΗ: Πριν ακονίσετε τις λάμες κουρευτικού, βεβαιωθείτε ότι το εργαλείο είναι απενεργοποιημένο και η κασέτα μπαταριών έχει αφαιρεθεί από το εργαλείο.

5. Τοποθετήστε το εργαλείο ανάποδα και μετά αφαιρέστε τα γρέζια από τις λάμες κουρευτικού με την πέτρα λείανσης.
► **Εικ.36:** 1. Πέτρα λείανσης

6. Θέστε την κλίση μιας λίμας στις 45° και ακονίστε την κάτω λάμα από 3 κατευθύνσεις με τη λίμα.

7. Επιστρέψτε το εργαλείο στην κανονική θέση και μετά αφαιρέστε τα γρέζια από τις λάμες κουρευτικού με την πέτρα λείανσης.

ΑΝΤΙΜΕΤΩΠΙΣΗ ΠΡΟΒΛΗΜΑΤΩΝ

Πριν ζητήσετε επισκευές, εκτελέστε αρχικά τη δική σας επιθεώρηση. Αν εντοπίσετε πρόβλημα που δεν επεξηγείται στο εγχειρίδιο, μην επιχειρήσετε να αποσυναρμολογήσετε το εργαλείο. Αν' αυτού, ζητήστε βοήθεια από εξουσιοδοτημένα κέντρα εξυπηρέτησης της Makita και πάντοτε να χρησιμοποιείτε γνήσια ανταλλακτικά της Makita.

Κατάσταση προβλήματος	Πιθανή αιτία (δυσλειτουργία)	Αποκατάσταση
Το μοτέρ δεν εκκινείται.	-	Ανατρέξτε στο εγχειρίδιο οδηγιών της ηλεκτρικής μονάδας.
Το μοτέρ σταματά γρήγορα.	-	Ανατρέξτε στο εγχειρίδιο οδηγιών της ηλεκτρικής μονάδας.
Οι στροφές μοτέρ δεν αυξάνονται.	-	Ανατρέξτε στο εγχειρίδιο οδηγιών της ηλεκτρικής μονάδας.
Οι λάμες κουρευτικού δεν κινούνται: ⇒ Σταματήστε αμέσως το μηχάνημα!	Ξένα αντικείμενα έχουν πιαστεί μεταξύ των λαμών κουρευτικού.	Απενεργοποιήστε το εργαλείο και αφαιρέστε την κασέτα μπαταριών, μετά αφαιρέστε τα ξένα αντικείμενα χρησιμοποιώντας εργαλεία όπως μια πένσα.
	Το σύστημα μετάδοσης κίνησης δεν λειτουργεί σωστά.	Απευθυνθείτε στο τοπικό εξουσιοδοτημένο κέντρο σέρβις για επισκευή.
Ασυνήθιστοι κραδασμοί: ⇒ Σταματήστε αμέσως το μηχάνημα!	Οι λάμες κουρευτικού είναι σπασμένες, λυγισμένες ή φθαρμένες.	Αντικαταστήστε τις λάμες κουρευτικού.
	Το σύστημα μετάδοσης κίνησης δεν λειτουργεί σωστά.	Απευθυνθείτε στο τοπικό εξουσιοδοτημένο κέντρο σέρβις για επισκευή.
Οι λάμες κουρευτικού και το μοτέρ δεν σταματούν: ⇒ Βγάλετε αμέσως την μπαταρία!	Ηλεκτρική δυσλειτουργία.	Βγάλετε την μπαταρία και απευθυνθείτε στο τοπικό εξουσιοδοτημένο κέντρο σέρβις για επισκευή.

ΠΡΟΑΙΡΕΤΙΚΑ ΕΞΑΡΤΗΜΑΤΑ

⚠ ΠΡΟΣΟΧΗ: Αυτά τα εξαρτήματα ή προσαρτήματα συνιστώνται για χρήση με το μηχάνημά σας Makita που καθορίζεται στο παρόν εγχειρίδιο. Η χρήση άλλων εξαρτημάτων ή προσαρτημάτων μπορεί να παρουσιάσει κίνδυνο για τραυματισμό ατόμων. Χρησιμοποιήστε εξαρτήματα ή προσαρτήματα μόνο για τον καθορισμένο σκοπό.

Εάν χρειάζεστε οποιαδήποτε βοήθεια για περισσότερες πληροφορίες σε σχέση με αυτά τα εξαρτήματα, απευθυνθείτε στο τοπικό σας κέντρο εξυπηρέτησης Makita.

- Διάταξη λαμών κουρευτικού
- Περιέκτης γράσου
- Γνήσια μπαταρία και φορτιστής της Makita

ΠΑΡΑΤΗΡΗΣΗ: Μερικά στοιχεία στη λίστα μπορεί να συμπεριλαμβάνονται στη συσκευασία προϊόντος ως στάνταρ εξαρτήματα. Μπορεί να διαφέρουν ανάλογα με τη χώρα.

TEKNİK ÖZELLİKLER

Model:	EN402MP
Bıçak uzunluğu	500 mm
Tam uzunluk	1444 mm
Net ağırlık	2,4 kg

- Sürekli yapılan araştırma ve geliştirmelerden dolayı, burada belirtilen özellikler önceden bildirilmeksizin değiştirilebilir.
- Özellikler ülkeden ülkeye değişebilir.

Onaylı güç ünitesi

Bu ek parça sadece aşağıdaki güç ünitesi(üniteleri) ile kullanım için onaylanmıştır:

- DUX60 Kablosuz çok fonksiyonlu akülü kafa
- DUX18 Kablosuz çok fonksiyonlu akülü kafa
- UX01G Kablosuz çok fonksiyonlu akülü kafa

⚠UYARI: Ek parçayı hiçbir zaman onaysız güç ünitesi ile kullanmayın. Onaysız kombinasyon ciddi yaralanmalara neden olabilir.

Semboller

Ekipmanı için kullanılacak semboller aşağıda gösterilmiştir. Kullanmadan önce anlamlarını anladığınızdan emin olun.



Kullanım kılavuzunu okuyun ve takip edin.



TEHLİKE - Eleri bıçaktan uzak tutun.



Elektrik hatlarına dikkat edin. Elektrik çarpması riski vardır.



Koruyucu baret, gözlük ve kulaklık kullanın.



Koruyucu eldiven giyin.



Altı kaymayan sağlam ayakkabılar giyin.



Etrafınızdaki kişileri ya da hayvanları elektrikli aletin en az 15 m uzağında tutun.



İnsanları ve hayvanları çalışma alanından uzak tutun.



AB Dış Mekan Gürültü Direktifi uyarınca garanti edilen ses gücü seviyesi.



Avustralya NSW Gürültü Kontrol Mevzuatı uyarınca ses gücü seviyesi

Kullanım amacı

Bu ek parça, sadece onaylı bir güç ünitesiyle birlikte çit budamak amacıyla tasarlanmıştır. Ek parçayı hiçbir zaman başka amaçlarla kullanmayın. Ek parçayı amacı dışında kullanmak ciddi yaralanmaya neden olabilir.

EC Uygunluk Beyanı

Sadece Avrupa ülkeleri için

Üretici firma: **Makita Europe N.V.**, İş adresi: **Jan-Baptist Vinkstraat 2 3070 Kortenberg BELÇİKA** olarak **Hiroshi Tsujimura**'ya teknik dosyayı derleme yetkisi verir ve yegane bizim sorumluluğumuzda aşağıda adı verilen ürünün/ürünlerin:
Adı: **Çit Budama Ek Parçası**. Tip Adı: **EN402MP**. **2006/42/EC**'nin ve ayrıca şu EC/EU Direktiflerinin ilgili tüm hükümlerini karşıladığını: **2000/14/EC** ve verilen Uyumlu Hale Getirilmiş Standartlara uygun olarak imal edildiğini beyan ederiz: **EN62841-1:2015, EN 62841-4-2:2019, EN ISO 11806-1:2011**.
Beyan yeri ve tarihi: **Kortenberg, Belçika. 20. 12. 2022**
Sorumlu kişi: **Hiroshi Tsujimura, Direktör - Makita Europe N.V.**

GÜVENLİK UYARILARI

Aküü Yüksek Çit Budama Güvenlik Uyarıları

- Vücudunuzun tüm kısımlarını bıçaktan uzak tutun. Bıçaklar hareket halindeyken kesilen malzemeyi çıkarmaya ve kesilecek malzemeyi tutmaya çalışmayın.** Anahtar kapatıldıktan sonra bıçaklar harekete devam eder. Çit budamayı kullanırken bir anlık dikkatsizlik ciddi bir yaralanmaya sonuçlanabilir.
- Çit budamayı, bıçak durmuş durumda iken kolundan tutarak ve hiçbir güç anahtarını çalıştırmamaya dikkat ederek taşıyın.** Çit budamayı doğru bir şekilde taşımak yanlışlıkla başlatılma ve bunun sonucunda kesici bıçaklar sonucu yaralanma riskini azaltır.
- Çit budamayı naklederken veya saklarken bıçak kılıfını mutlaka takın.** Çit budamayı doğru bir şekilde taşımak kesici bıçaklarla yaralanma riskini azaltır.
- Sıkışan malzemeyi çıkarırken veya üniteye bakım yaparken tüm güç anahtarlarının kapalı ve batarya takımının çıkarılmış veya ayrılmış olduğundan emin olun.** Sıkışan malzemeyi çıkarırken veya bakım yaparken çit budamanın beklenmedik şekilde çalışması ciddi yaralanmalara neden olabilir.
- Bıçak gizli kablolarla temas edebileceği için, çit budamayı sadece yalıtımlı kavrama yüzeylerinden tutun.** Bıçakların "akımlı" bir telle temas etmesi çit budamanın yalıtımsız metal kısımlarını "akımlı" hale getirebilir ve kullanıcıyı elektrik şokuna maruz bırakabilir.
- Tüm güç kordonlarını ve kablolarını kesim alanından uzak tutun.** Güç kordonları veya kabloları çitlere veya çalılara saklanabilir ve bıçak tarafından yanlışlıkla kesilebilir.
- Özellikle yıldırım düşmesi riski olan kötü hava koşullarında çit budamayı kullanmayın.** Bu, yıldırım çarpma riskini azaltır.
- Elektrik çarpması riskini azaltmak için yüksek çit budamayı her türlü elektrik hattının yanında asla kullanmayın.** Elektrik hatlarıyla temas veya bunların yanında kullanmak ciddi yaralanma veya ölüme sonuçlanacak elektrik çarpmasına neden olabilir.
- Yüksek çit budamayı kullanırken daima iki elinizi kullanın.** Kontrol kaybını önlemek için yüksek çit budamayı iki elle tutun.
- Yüksek çit budamayı başınızdan daha yukarıda kullanırken daima baret kullanın.** Düşen döküntüler ciddi yaralanmaya neden olabilir.

İlave Güvenlik Talimatları

Hazırlık

- BU ÇİT BUDAMA CİDDİ YARALANMALARA YOL AÇABİLİR.** Aletin doğru taşınması, hazırlanması, bakımı, çalıştırılması ve durdurulması için talimatları dikkatlice okuyun. Aletin tüm kontrollerine ve düzgün kullanımına aşinalık kazanın.

- Aleti çalıştırmadan önce çitleri ve çalılıkları, tel örgü veya gizli kablo gibi yabancı maddelere karşı kontrol edin.**
- Çit budama, çocuklar ve 18 yaşın altındaki gençler tarafından kullanılmamalıdır.** 16 yaşın üzerindeki gençler, bir uzmanın gözetiminde eğitim alıyorsa bu kısıtlamadan muaf tutulabilirler.
- Acil bir durumda, derhal aleti kapatın ve batarya kartuşunu çıkarın.**
- TEHLİKE - Ellerinizi bıçaktan uzak tutun.** Bıçağa temas edilmesi ciddi yaralanmaya neden olur.
- Aleti ilk kez kullanacak olanlar, deneyimli bir kullanıcıdan aletin nasıl kullanılacağını göstermesi için yardım almalıdır.**
- Çalıştırmadan önce, çalışma alanında tel örgü, taş ya da başka katı nesnelerin olup olmadığına bakın.** Bunlar bıçaklara zarar verebilir.
- Çit budamayı yalnızca fiziksel durumunuz uygunsa kullanın.** Yorgunsanız dikkatiniz azalır. Özellikle çalışma gününün son saatlerinde dikkatli olun. Tüm işlerinizi sakın ve dikkatli bir şekilde yürütün. Üçüncü taraflar üzerinde meydana gelebilecek tüm zararlardan kullanıcı sorumludur.
- İşe başlamadan önce, budama aletinin iyi ve güvenli bir şekilde çalışır durumda olduğundan emin olun.** Siperlerin yerine düzgün bir şekilde takıldığından emin olun. Çit budama, tam olarak monte edilmediği durumlarda kullanılmamalıdır.
- Tehlikeli ortamlardan kaçının.** Aleti nemli ya da ıslak yerlerde kullanmayın ve yağmura maruz bırakmayın. Makinenin içine su girmesi elektrik çarpması riskini arttıracaktır.

Kişisel koruyucu ekipmanlar

- Dayanıklı deriden yapılmış iş eldivenleri çit budama aletinin temel ekipmanının parçasıdır ve bu aletle çalışırken daima giyilmelidir.** Daima kaymaz tabanlı sağlam ayakkabılar giyin.
- İşitme kaybını engellemek için kulak tıkacı gibi kulak koruyucu takın.**
- Uçuşan çer çöp veya düşen nesnelere kendinizi korumak için koruyucu gözlük, güvenlik kaskı ve koruyucu eldiven takın.**
- Bıçaklara dokunurken veya bıçak açısını ayarlarken koruyucu eldiven giyin.** Bıçaklar çıplak elleri ağır biçimde kesebilir.

Kullanma

- Aleti kullanırken daima iki elinizi kullanın.** Tek el kullanılması kontrolün kaybedilmesine neden olabilir ve ciddi yaralanmalara yol açabilir.
- Aleti kullanırken kullanım konumunuz güvenli ve emniyetli olduğundan mutlaka emin olun.** Aletle fazla ileriye uzanmak, özellikle bir merdivenden, aşırı derecede tehlikelidir. Sallanan veya zayıf hiçbir yerden çalışmayın.
- Aleti kullanırken birden fazla kemer takımını ve/veya omuz askısını aynı anda takmayın.**
- Kullanım sırasında, etrafınızdaki kişileri ya da hayvanları aletten en az 15 m uzakta tutun.** Biri yaklaştığı anda aleti durdurun.

5. Kesici parça herhangi bir nesneye çarpar veya alet anormal gürültü veya titreşim yapmaya başlarsa derhal aleti kapatın ve batarya kartuşunu çıkarın, aletin durmasını bekleyin. Daha sonra aşağıdaki adımları atın:
 - hasar kontrolü yapın
 - parçaların gevşek olup olmadığını kontrol edin, gevşek olanları sıkın
 - hasarlı tüm parçaları orijinal yedek parçalarla değiştirin veya tamir ettirin.
6. Aleti sadece kullanım amacı doğrultusunda kullanın. Aleti başka amaçlarla kullanmayın.
7. Şu işlemlerden önce aletini kapatın ve batarya kartuşunu çıkarın:
 - temizleme veya bir tıkanıklığı giderme,
 - aleti kontrol etme, bakım yapma veya üzerinde çalışma,
 - keski bıçaklarının çalışma konumunu ayarlama,
 - aleti gözetimsiz bırakma.
8. Aleti çalıştırmadan önce aletin belirlenen çalışma konumuna doğru bir şekilde alındığından emin olun.
9. Aleti, hasarlı veya aşırı aşınmış keski bıçaklarıyla çalıştırmayın.
10. Her zaman etrafınızda dikkat edin ve aletin gürültüsü nedeniyle farkında olamayabileceğiniz olası tehlikelere karşı uyanık olun.
11. Çalışma sırasında metal bir çite ya da başka sert nesnelere temas etmemeye dikkat edin. Bıçak kırılır ve ciddi yaralanmaya neden olabilir.
12. İstem dışı başlatmayı önleyin. Batarya kartuşu takılı ve parmağınız düğmenin üzerindeyken aleti taşımayın. Batarya kartuşunu takarken anahtarın kapalı olduğundan emin olun.
13. Aleti kaldırırken veya tutarken açıkta kalan keskin bıçakları ya da keskin kenarları tutmayın.
14. Aleti zorlamayın. Tasarlandığı hızda kullanıldığında, alet işi daha iyi yapar ve yaralanma riski azalır.
15. Aleti yağmurda veya ıslak ya da çok nemli koşullarda kullanmayın. Elektrikli motor su geçirmez değildir.
16. Aleti kullanırken sıkıca tutun.
17. Aleti gereksiz yere yüksüz çalıştırmayın.
18. Keski bıçaklarını kontrol etmeden, arızalarla ilgilenmeden ya da keski bıçaklarına takılan yabancı maddeleri çıkarmadan önce daima aleti kapatın ve batarya kartuşunu çıkarın.
19. Keski bıçaklarının asla kendinize veya başkalarına doğrultmayın.
20. Çalışma sırasında bıçakların arasına yabancı maddelerin sıkışmasından dolayı bıçaklar hareket etmeyi keserse aleti kapatın ve batarya kartuşunu çıkarın, ardından yabancı maddeleri pense, vb. kullanarak çıkarın. Yabancı maddelerle elle çıkarılması, yabancı maddeleri çıkarmaya tepki olarak bıçaklar hareket edebileceğinden dolayı yaralanmaya neden olabilir.
21. Bıçak kılıfını takip çıkarırken ellerinizi incitmemeye dikkat edin.

Elektrik ve batarya güvenliği

1. Tehlikeli ortamlardan kaçının. Aleti nemli veya ıslak yerlerde kullanmayın ya da yağmura maruz bırakmayın. Aletin içine su girmesi elektrik çarpması riskini artırır.
2. Bataryayı/bataryaları ateşe atmayın. Batarya hücresi patlayabilir. Bertaraf etmeye ilişkin özel talimatlar için yerel yönetmelikleri kontrol edin.
3. Bataryayı/bataryaları açmayın ya da batarya(lar) üzerinde değişiklik yapmayın. Ortaya çıkan elektrolit aşındırıcıdır ve gözlere ya da cilde zarar verebilir. Yutulduğu takdirde zehirli olabilir.
4. Bataryayı yağmurda veya ıslak yerlerde şarj etmeyin.
5. Bataryayı açık alanda şarj etmeyin.
6. Şarj aleti fişi ve şarj aleti terminalleri dahil şarj aletine ıslak ellerle dokunmayın.

Bakım ve saklama

1. Alet; bakım, kontrol veya saklama için durdurulduğunda, aleti kapatın ve batarya kartuşunu çıkarın, tüm hareketli parçaların tam olarak durduğundan emin olun. Herhangi bir kontrol, ayarlama, vb. yapmadan önce aletin soğumasını bekleyin.
2. Aleti saklamadan önce her zaman soğumasını bekleyin.
3. Kullanılmadığı zaman bıçak kılıfını alete takın ve aleti kapalı mekanlarda, çocukların ulaşamayacağı, kuru ve yüksek kilitli bir yerde saklayın.
4. Aletin bakımını dikkatli yapın. En iyi performans ve yaralanma riskini azaltmak için kesici kenarı keskin ve temiz tutun. Yağlama ve aksesuar değişimi için talimatları izleyin. Sapları kuru, temiz ve yağ ve gres bulaşmamış halde bulundurun.
5. Hasarlı parçaları kontrol edin. Aleti kullanmaya devam etmeden önce, hasar görmüş tüm parçalar, uygun şekilde çalışıp çalışmayacağını ve amaçlanan işlevini görüp göremeyeceğini belirlemek için dikkatlice kontrol edilmelidir. Hareketli parçaların hizalanmalarını, bağlantılarını, parçalardaki kırıkları, montajlarını ve çalışmasını etkileyebilecek diğer durumları kontrol edin. Hasar görmüş siper ya da başka bir parça, yetkili servis tarafından onarılmalı ya da değiştirilmelidir.
6. Sadece orijinal yedek parçalar kullanın.
7. Aleti başka bir yere taşımadan önce, çalışma sırasında dahil olmak üzere, daima batarya kartuşunu çıkarın ve keski bıçaklarına bıçak kılıfını takın. Bıçaklar çalışırken aleti asla taşımayın ya da nakletmeyin. Bıçakları asla elinizle kavramayın.
8. Kullandıktan sonra ve aleti uzun süreli depoya kaldırmadan önce aleti ve özellikle keski bıçaklarını temizleyin. Keski bıçaklarını hafifçe yağlayın ve bıçak kılıfını takın.
9. Bataryayı/bataryaları ateşe atmayın. Batarya hücresi patlayabilir. Bertaraf etmeye ilişkin özel talimatlar için yerel yönetmelikleri kontrol edin.

10. Batarya/bataryaları açmayın ya da batarya(lar) üzerinde değişiklik yapmayın. Ortaya çıkan elektrolit aşındırıcıdır ve gözlere ya da cilde zarar verebilir. Yutulduğu takdirde zehirli olabilir.
11. Bataryayı yağmurda veya ıslak yerlerde şarj etmeyin.

BU TALİMATLARI SAKLAYIN.

⚠UYARI: Ürünü kullanırken (defalarca kullanınca kazanılan) rahatlık ve tanıdıklık duygusunun ilgili ürünün güvenlik kurallarına sıkı sıkıya bağlı kalmanın yerine geçmesine İZİN VERMEYİN. YANLIŞ KULLANIM veya bu kullanma kılavuzunda belirtilen emniyet kurallarına uymama ciddi yaralanmaya neden olabilir.

PARÇALARIN TANIMI

- **Şek.1:** 1. Bıçak kılıfı 2. Açık ayarlama kolu 3. Başlık 4. Keski bıçakları 5. Kaydırma kolu 6. Ön sap

MONTAJ

⚠UYARI: Ekipmanı monte etmeden veya ayarlamadan önce motoru kapatın ve batarya kartuşunu çıkarın. Aksi takdirde makine kazara çalışmaya başlayarak yaralanmaya neden olabilir.

⚠UYARI: Ekipmanı monte ederken veya ayarlarken daima yere koyun. Ekipmanın dik konumda monte edilmesi veya ayarlanması ciddi yaralanmaya neden olabilir.

⚠UYARI: "GÜVENLİK UYARILARI" bölümündeki ve güç ünitesinin kullanma kılavuzundaki uyarılara ve önlemlere uyun.

Ek parçanın monte edilmesi

1. Kapağı ek parçadan çıkarın.
► **Şek.2:** 1. Kapak
2. Boru üzerindeki delik ek parça üzerindeki delikle hizalanacak şekilde boruyu ek parçanın içine sokun. Boruyu sabitlemek için önce kısa civatayı iyice sıkın, ardından uzun civatayı sıkın.
► **Şek.3:** 1. Delik 2. Boru 3. Cıvata (kısa) 4. Cıvata (uzun)

NOT: Cıvataları sıkarken sıkma torku olarak 4,0 - 6,0 N•m uygulayın.

Ek borunun takılması

⚠DİKKAT: Monte ettikten sonra ek borunun sabitlenmiş olduğunu mutlaka kontrol edin. Hatalı montaj ek parçanın güç ünitesinden düşmesine neden olabilir ve yaralanmaya yol açabilir.

Ek boruyu ana üniteye takın.

1. Başlığı borunun ucundan çıkarın.
► **Şek.4:** 1. Boru 2. Başlık

ÖNEMLİ NOT: Ek parçayı depolamak için başlık gerekeceğinden başlığı atmayın.

2. Mandalı ek parçaya doğru çevirin.
► **Şek.5:** 1. Mandal
3. Pimi güç ünitesinin üzerindeki ok işaretiyle hizalayın. Serbest bırakma düğmesi yukarı çıkana dek boruyu sokun.

Konum çizgisinin, güç ünitesinin üzerindeki ok işaretinin ucunda olduğundan ve güç ünitesinin üzerindeki ok işareti ile borunun üzerindeki ok işaretinin birbirlerine baktığından emin olun.

- **Şek.6:** 1. Serbest bırakma düğmesi 2. Güç ünitesinin üzerindeki ok işareti 3. Pim 4. Konum çizgisi 5. Borunun üzerindeki ok işareti

4. Mandalı güç ünitesine doğru çevirin.

- **Şek.7:** 1. Mandal

Mandalın yüzeyinin boruya paralel olduğundan emin olun.

ÖNEMLİ NOT: Mandalı, ek boru takılmadan sıkmayın. Aksi takdirde mandal, tahrik milinin girişini çok fazla sıkıp ona zarar verebilir.

Boruyu çıkarmak için, mandalı ek parçaya doğru çevirin ve serbest bırakma düğmesine basarak boruyu çekip çıkarın.

- **Şek.8:** 1. Serbest bırakma düğmesi 2. Mandal 3. Boru

Keski bıçaklarının takılması veya çıkarılması

⚠DİKKAT: Keski bıçaklarını değiştirirken ellerinizin bıçaklarla doğrudan temas etmemesi için daima eldiven kullanın.

⚠DİKKAT: Keski bıçaklarını takmadan veya çıkarmadan önce bıçak kılıfını takın.

ÖNEMLİ NOT: Keski bıçaklarını değiştirirken kranktaki gresi silmeyin.

NOT: Keski bıçaklarını takmadan veya çıkarmadan önce ek parça boruya düz olacak şekilde ek parçayı açın.

1. Bıçak kılıfını keski bıçaklarına takın.
► **Şek.9:** 1. Bıçak kılıfı
2. Ek parçayı ters çevirerek yerleştirin.

3. 4 civatayı altıgen anahtarla çıkarın ve kapakla plakayı (büyük) sökün.

► **Şek.10:** 1. Cıvata 2. Kapak 3. Plaka (büyük)

4. Krank şekilde gösterilen yönde konumlanacak şekilde krankı düz tonavidayla çevirin.

► **Şek.11:** 1. Krank

5. 2 civatayı çıkarın.

► **Şek.12:** 1. Cıvata

6. Keçe tamponu (kısa), keçe tamponu (uzun), plaka (küçük) ve manşonları çıkarın.

► **Şek.13:** 1. Keçe tamponu (kısa) 2. Keçe tamponu (uzun) 3. Plaka (küçük) 4. Manşon

7. Keski bıçaklarını ek parçadan çıkarın.

► **Şek.14**

8. Bıçak kılıfını çıkarın ve ardından yeni keski bıçaklarına takın.

9. Toz siperini keski bıçaklarından çıkarın, ardından şekilde gösterilen konumda yeni keski bıçaklarının üzerine takın.

► **Şek.15:** 1. Toz siperi

10. Adım 5'te çıkarılan civatayı, bıçak kılıfının üzerindeki delik vasıtasıyla keski bıçaklarının üzerindeki deliğe sokun.

► **Şek.16:** 1. Delik 2. Cıvata

11. Krankın çevresine az bir miktar gres yağı sürün. Keski bıçaklarını ek parçaya takın.

► **Şek.17**

12. Manşonlar ve plakayı (küçük) keski bıçaklarına takın ve ardından civatayı sıkın.

► **Şek.18:** 1. Cıvata 2. Plaka (küçük) 3. Manşon

13. Adım 10'da keski bıçaklarının üzerindeki deliğe sokulan civatayı çıkarın ve ardından civatayı sıkarak keski bıçaklarını sabitleyin.

14. Keçe tamponunu (kısa) ve keçe tamponunu (uzun) takın.

► **Şek.19:** 1. Keçe tamponu (kısa) 2. Keçe tamponu (uzun)

15. Plaka (büyük) ve kapağı takın, ardından 4 civatayı sıkın.

► **Şek.20:** 1. Cıvata 2. Kapak 3. Plaka (büyük)

ÖNEMLİ NOT: Keski bıçakları doğru çalışmıyorsa bıçaklar krankı doğru bir şekilde kavramıyordur. Bıçakları çıkarıp yeniden takın.

ÖNEMLİ NOT: Keski bıçakları dışında krank gibi parçaları yıpranırsa parça değişimi veya onarımlar için Makita yetkili servis merkezlerine başvurun.

İŞLEVSEL NİTELİKLER

⚠DİKKAT: Alet üzerinde ayarlama veya işleyiş kontrolü yapmadan önce aletin kapalı ve batarya kartuşunun ayrılmış olduğundan daima emin olun.

Kesim açısının ayarlanması

⚠DİKKAT: Kesim açısını ayarlamadan önce aletin kapalı olduğundan daima emin olun.

Başlık açısı 13 kademede ayarlanabilir. Başlık açısını değiştirmek için aşağıdaki adımları izleyin.

1. Açı ayarlama kolunu tutun, ardından kaydırma kolunu çekerken başlığın açısını ayarlayın ve daha sonra kaydırma kolunu bırakın.

► **Şek.21:** 1. Kaydırma kolu 2. Açı ayarlama kolu

2. Bir tık sesi ile kilitlene kadar başlığı hafifçe oynatın.

NOT: Aleti kullanmadan önce başlığın sıkıca kilitlendiğinden emin olun.

KULLANIM

⚠UYARI: "GÜVENLİK UYARILARI" bölümündeki ve güç ünitesinin kullanma kılavuzundaki uyarılara ve önlemlere uyun.

Aletin kullanılması

⚠UYARI: Aleti hiçbir elektrik hattının yanında kullanmayın. Elektrik hatlarıyla temas veya aleti elektrik hatlarının yanında kullanmak ciddi yaralanma veya ölüme sonuçlanacak elektrik çarpmasına neden olabilir.

⚠UYARI: Ellerinizi keski bıçaklarından uzak tutun.

⚠UYARI: Aletin kontrolünün her zaman sizde olması için son derece dikkatli olun. Aletin, size veya çalıştığınız çevredeki herhangi birine doğru dönmesine izin vermeyin. Aleti kontrol altında tutamamak çevredekilerin ve kullanıcının ciddi bir şekilde yaralanmasına neden olabilir.

⚠DİKKAT: Mümkünse, aleti çok sıcak havalarda kullanmaktan kaçının. Aleti kullanırken fiziksel durumunuza dikkat edin.

⚠DİKKAT: Budama sırasında metal bir çite ya da başka sert nesnelere temas etmemeye dikkat edin. Keski bıçakları kırılabilir ve yaralanmaya neden olabilir.

⚠DİKKAT: Keski bıçaklarının yere temas etmesine izin vermeyin. Alet geri tepebilir ve yaralanmaya neden olabilir.

⚠DİKKAT: Bir çit budama aletini normalde uzanamayacağınız bir yükseklik için kullanmaya çalışmak, özellikle de merdivene çıkıp kullanmaya çalışmak, aşırı derecede tehlikelidir. Sallanan veya zayıf bir zemin üzerinde dururken çalışmayın.

ÖNEMLİ NOT: Aletle, çapı 10 mm'den daha kalın dalları kesmeye çalışmayın. Aleti kullanmadan önce, dal budayıcı kullanarak dalları kesim yüksekliğinden 10 cm aşağıda olacak şekilde kesin.

► **Şek.22:** (1) Kesim yüksekliği (2) 10 cm

ÖNEMLİ NOT: Ölü ağaçları veya benzer sert nesnelere kesmeyin. Aksi takdirde alete hasar verebilirsiniz.

ÖNEMLİ NOT: Keski bıçaklarını kullanırken çim-leri ya da yabancı otları biçmeyin. Keski bıçakları çime ya da yabancı otlara dolanabilir.

Güç ünitesinin ön kolunu veya ek parçanın ön sapını ve güç ünitesinin arka sapını tutarak aleti iki elinizle tutun.

► **Şek.23:** 1. Ön kol 2. Arka sap

Güvenlik kilidi koluna basarken anahtar tetiği çekin ve ardından aleti ileriye doğru hareket ettirin.

► **Şek.24**

Temel çalışma için, keski bıçaklarını kesim yönünde eğin ve metre başına 3 ila 4 saniyelik bir hızla sakın ve yavaş bir biçimde hareket ettirin.

► **Şek.25**

Çitin yan kısmını düzgün bir şekilde kesmek için aşağıdan yukarı doğru kesin.

► **Şek.26**

Yuvartak bir şekil elde etmek için budama yapılırken (şimsir veya orman gülü ve benzerinin budanması sırasında) iyi bir sonuç elde etmek için aşağıdan yukarıya doğru budama yapın.

► **Şek.27**

BAKIM

⚠UYARI: Ekipmanı kontrol etmeden veya bakımını yapmadan önce motoru kapatın ve batarya kartuşunu çıkarın. Aksi takdirde makine kazara çalışmaya başlayarak ciddi yaralanmaya neden olabilir.

⚠UYARI: Ekipmanı kontrol ederken veya bakımını yaparken daima yere koyun. Ekipmanın dik konumda monte edilmesi veya ayarlanması ciddi yaralanmaya neden olabilir.

⚠UYARI: "GÜVENLİK UYARILARI" bölümündeki ve güç ünitesinin kullanma kılavuzundaki uyarılara ve önlemlere uyun.

⚠DİKKAT: Kontrol veya bakım işlemi yapmadan önce eldiven giyin.

ÖNEMLİ NOT: Benzin, tiner, alkol ve benzeri maddeleri kesinlikle kullanmayın. Renk değişimi, deformasyon veya çatlaklar oluşabilir.

Aleti EMNİYETLİ ve ÇALIŞMAYA HAZIR durumda tutmak için onarımlar, başka her türlü bakım ve ayarlamalar daima Makita yedek parçaları kullanılarak Makita yetkili servis merkezleri veya Fabrikanın Servis Merkezleri tarafından yapılmalıdır.

Aletin temizlenmesi

Alet gövdesini kuru bir bezle veya sabunlu suya batırılıp sıkılmış bir bezle temizleyin.

ÖNEMLİ NOT: Benzin, tiner, alkol ve benzeri maddeleri kesinlikle kullanmayın. Renk değişimi, deformasyon veya çatlaklar oluşabilir.

Keski bıçağı bakımı

Çalışmadan önce veya çalışma sırasında saatte bir kez, keski bıçaklarına düşük viskoziteli yağ (makine yağı ya da sprey şeklinde yağ) uygulayın.

► **Şek.28**

Çalışmanın ardından, keski bıçaklarının her iki tarafındaki tozları tel fırça ile giderin, bir bezle silin ve keski bıçaklarına düşük viskoziteli yağ (makine yağı veya sprey şeklinde yağ) uygulayın.

► **Şek.29**

ÖNEMLİ NOT: Keski bıçaklarını suda yıkamayın. Bunu yapmak paslanmaya ya da alete zarar gelmesine neden olabilir.

ÖNEMLİ NOT: Kir ve korozyon bıçaklarda aşırı sürtünmeye neden olabilir ve bir seferlik batarya şarjıyla çalışılabilen süreyi kısaltır.

Saklama

Bıçak kılıfını bıçaklar örtülecek şekilde keski bıçaklarına takın. Aleti çocukların erişemeyeceği bir yerde saklayın. Aleti neme ya da yağmura maruz kalmayan bir yerde saklayın. Güç ünitesinden ayrılmış ek parçayı saklarken borunun ucuna kapağı takın.

► **Şek.30**

Hareketli parçaların yağlanması

ÖNEMLİ NOT: Sıklık ve sağlanan gres miktarına ilişkin talimatları takip edin. Aksi takdirde yetersiz yağlama hareketli parçalara zarar verebilir.

Tahrik mili:

Her 30 saat çalışma sonunda gres (Makita gres N No.2 veya eşdeğeri) basın.

► **Şek.31**

NOT: Makita bayinizden orijinal Makita gres satın alabilirsiniz.

Gres yağlaması

Yağlama aralığı: Her 25 çalışma saatinde bir

1. Yağlama için civatayı delikten çıkarın.

► **Şek.32:** 1. Civata

2. Gres kabının kapağını çıkarın. Gres kabının ağzını kapak üzerindeki delikle hizalayın ve ardından gres kabının ağzını deliğe takmak için gres kabını çevirin.

► **Şek.33:** 1. Gres kabı 2. Delik

3. Alete gres uygulayın (kural olarak yaklaşık 3 g).

4. Gres kabını çıkarın.

5. Civatayı sıkın.

Keski bıçaklarının bilenmesi

ÖNEMLİ NOT: Keski bıçakları bileme nedeniyle kayda değer ölçüde deforme olursa keski bıçaklarını yenileriyle değiştirin.

1. Batarya kartuşunu alete takın.
2. Aleti açın ve üst bıçak ile alt bıçak dönüşümlü olarak konumlanacak şekilde çalıştırın.
► **Şek.34**
3. Aletini kapatın ve batarya kartuşunu aletten çıkarın.

4. Eğe açısını 45°'ye ayarlayın ve üst bıçağı eğe ile 3 yönden bileyin.

► **Şek.35:** (1) Eğe (2) 45°

⚠DİKKAT: Keski bıçaklarını bilemeden önce aletin kapalı olduğundan ve batarya kartuşunun aletten çıkarıldığından emin olun.

5. Aleti ters şekilde yerleştirin ve ardından keski bıçaklarındaki pürüzleri bileme taşı ile temizleyin.
► **Şek.36:** 1. Bileme taşı
6. Eğe açısını 45°'ye ayarlayın ve alt bıçağı eğe ile 3 yönden bileyin.
7. Aleti normal konuma getirin ve ardından keski bıçaklarındaki pürüzleri bileme taşı ile temizleyin.

SORUN GİDERME

Onarım için servise gitmeden önce kontrolleri yapın. Kılavuzda açıklanmayan bir problemle karşılaşırsanız aleti demonte etmeyin. Bunun yerine, Makita Yetkili Servis Merkezlerine başvurun ve daima orijinal Makita yedek parçaları kullanın.

Anormal durum	Olası nedeni (arıza)	Çözümü
Motor çalışmıyor.	-	Güç ünitesi kullanma kılavuzuna bakın.
Motor hemen duruyor.	-	Güç ünitesi kullanma kılavuzuna bakın.
Motor devri yükselmiyor.	-	Güç ünitesi kullanma kılavuzuna bakın.
Keski bıçakları hareket etmiyor: ⇒ makineyi hemen durdurun!	Keski bıçaklarının arasına yabancı maddeler takılmış.	Aleti kapatın ve batarya kartuşunu çıkarın, ardından yabancı maddeleri pense vb. kullanarak çıkarın.
	Sürüş sistemi doğru işlemiyor.	Yerel yetkili servis merkezinizden tamir etmelerini isteyin.
Olağan dışı titreşim: ⇒ makineyi hemen durdurun!	Keski bıçakları kırık, eğilmiş veya aşınmış.	Keski bıçaklarını değiştirin.
	Sürüş sistemi doğru işlemiyor.	Yerel yetkili servis merkezinizden tamir etmelerini isteyin.
Keski bıçakları ve motor durmuyor: ⇒ Bataryayı hemen çıkarın!	Elektrik arızası.	Bataryayı çıkarın ve yerel yetkili servis merkezinizden tamir etmelerini isteyin.

İSTEĞE BAĞLI AKSESUARLAR

⚠DİKKAT: Bu aksesuarlar ve ek parçalar bu el kitabında belirtilen Makita makineniz ile kullanılmak için tavsiye edilmektedir. Herhangi başka bir aksesuar ya da ek parça kullanılması insanlar için bir yaralanma riski getirebilir. Aksesuarları ya da ek parçaları yalnızca belirtilmiş olan kullanım amaçlarına uygun olarak kullanın.

Bu aksesuarlarla ilgili daha fazla bilgiye ihtiyaç duyarsanız bulunduğunuz yerdeki yetkili Makita servisine başvurun.

- Keski bıçağı takımı
- Gres kabı
- Orijinal Makita batarya ve şarj aleti

NOT: Listedeki bazı kalemler ürünün ambalajında standart aksesuar olarak yer alabilir. Bunlar ülkeden ülkeye değişebilir.

SPECIFIKATIONER

Modell:	EN402MP
Bladets längd	500 mm
Total längd	1444 mm
Nettovikt	2,4 kg

- På grund av vårt pågående program för forskning och utveckling kan dessa specifikationer ändras utan föregående meddelande.
- Specifikationer kan variera mellan olika länder.

Godkänd drivenhet

Denna tillsats är endast godkänd för användning med följande drivenheter:

- DUX60 Sladdlös multifunktionell drivenhet
- DUX18 Sladdlös multifunktionell drivenhet
- UX01G Sladdlös multifunktionell drivenhet

⚠ VARNING: Använd aldrig tillsatsen med icke-godkända drivenheter. En icke-godkänd kombination kan orsaka allvarliga skador.

Symboler

Följande visar symbolerna som kan användas för utrustningen. Se till att du förstår innebörden innan användning.

	Läs och följ bruksanvisningen.
	FARA – Håll händerna borta från bladet.
	Akta dig för elledning. Risk för elektrisk stöt.
	Använd skyddshjälm, skyddsglasögon och hörselskydd.
	Använd skyddshandskar.
	Använd kraftiga stövlar med halkfri sula.
	Håll omgivande personer och djur på ett avstånd på minst 15 m från verktyget.
	Håll arbetsområdet fritt från människor och husdjur.



Garanterad ljudeffektnivå enligt EU-direktivet för utomhusbuller.



Ljudeffektnivå enligt Australia NSW Noise Control Regulation (Bullerreglering)

Avsedd användning

Denna tillsats har utformats enbart för att beskära häckar i kombination med en godkänd drivenhet. Använd aldrig tillsatsen för andra ändamål. Missbruk av tillsatsen kan leda till allvarliga skador.

EG-försäkran om överensstämmelse

Gäller endast inom EU

Vi, som tillverkare: **Makita Europe N.V.**, bolagsadress: **Jan-Baptist Vinkstraat 2 3070 Kortenberg BELGIUM**. Auktoriserar **Hiroshi Tsujimura** för sammansättningen av den tekniska filen och deklarerar på eget ansvar att produkten/produkterna:

Beteckning: **Häcksaxtillsats**. Typbeteckning(ar): **EN402MP**.

Uppfyller alla relevanta villkor i **2006/42/EC** och uppfyller även alla relevanta villkor i följande EG-/EU-direktiv: **2000/14/EC** och är tillverkad i enlighet med följande harmoniserade standarder: **EN62841-1:2015, EN 62841-4-2:2019, EN ISO 11806-1:2011**.

Plats och datum för deklARATIONEN: **Kortenberg, Belgien. 20. 12. 2022**

Ansvarig person: **Hiroshi Tsujimura, direktör – Makita Europe N.V.**



SÄKERHETSVARNINGAR

Säkerhetsvarningar för batteridriven stånghäcksax

- Håll alla kroppsdelar borta från skärbladet. Ta inte bort avklippt material eller håll inte i materialet som ska klippas av när bladen är i rörelse.** Bladen fortsätter att rotera efter det att strömbrytaren stängts av. Ett ögonblick av uppmärksamhet när häcksaxen är igång kan resultera i allvarlig personskada.
- Bär häcksaxen i handtaget med bladet stoppat och var noga med att inte aktivera någon strömbrytare.** Om häcksaxen bärs på rätt sätt minskar risken för oavsiktlig uppstart och därmed personskada på grund av bladen.
- När häcksaxen transporteras eller förvaras ska alltid bladskyddet sitta på.** Korrekt hantering av häcksaxen minskar risken för personskador från bladen.
- När du tar bort material som fastnat eller ser-var enheten, se då till att alla strömbrytare är avstängda och batteripaketet borttaget eller fränkopplat.** Att oväntat sätta igång häcksaxen medan man håller på att ta bort material som fastnat eller utför service kan orsaka allvarlig personskada.
- Håll endast i häcksaxens isolerade greppytter eftersom skärbladet kan komma i kontakt med dolda kablar.** Om bladen kommer i kontakt med en strömförande ledning blir häcksaxens metall-delar strömförande och kan ge operatören en elektrisk stöt.
- Håll alla strömladdar och kablar borta från skärområdet.** Under användning kan strömladdar eller kablar ligga dolda i häckar och buskage och oavsiktligt bli avklippta av skärbladet.
- Använd inte häcksaxen vid dåliga väderför-hållanden, speciellt inte vid risk för åska.** Då minskar risken att bli träffad av blixten.
- För att minska risken för elektrisk stöt ska stånghäcksaxen aldrig användas nära elektriska kraftledningar.** Kontakt med eller användning i närheten av kraftledningar kan orsaka allvarlig skada eller elektrisk stöt med dödsfall som följd.
- Använd alltid två händer vid användning av stånghäcksaxen.** Håll stånghäcksaxen med båda händerna för att undvika att tappa kontrollen.
- Använd alltid skydd för huvudet när du använder stånghäcksaxen höjd över huvudet.** Fallande skräp kan leda till allvarlig personskada.

Ytterligare säkerhetsinstruktioner

Förberedelse

- DENNA HÄCKSAX KAN ORSAKA ALLVARLIG SKADA.** Läs instruktionerna noga för att se hur du korrekt hanterar, förbereder, underhåller, startar och stannar verktyget. Sätt dig in i alla styrreglage och hur verktyget används korrekt.
- Kontrollera häckarna och buskarna avseende främmande föremål, som staket eller dolda kablar innan du använder maskinen.

- Häcksaxen får inte användas av barn eller ungdomar under 18 år.** Undantag kan göras för ungdomar över 16 år som har fått utbildning och träning av en kunnig person.
- Stäng genast av verktyget och ta bort batterikassetten i ett nödläge.**
- FARA - Håll händerna borta från klingan.** Kontakt med klingan kommer att leda till allvarlig personskada.
- Förstagångsanvändare bör låta en erfaren användare visa hur verktyget ska användas.**
- Undersök arbetsområdet före användningen, så att det inte finns stenar eller andra fasta föremål. De kan skada bladen.**
- Använd endast häcksaxen när du är i god fysisk kondition.** Om du är trött blir du uppmärksam. Var speciellt försiktig vid arbetsdagens slut. Utför allt arbete noggrant och i lugnt tempo. Användaren är ansvarig för all skada på tredje person.
- Kontrollera innan arbetet inleds att häcksaxen är i gott och säkert skick. Säkerställ att skyddsen sitter fast ordentligt. Häcksaxen får inte användas om den inte är fullständigt monterad.**
- Undvik farliga miljöer. Använd inte maskinen på fuktiga eller blöta platser, och utsätt den heller inte för regn. Vatten som kommer in i maskinen ökar risken för elektriska stötar.**

Personlig skyddsutrustning

- Arbetshandskar av kraftigt läder är en del av grundutrustningen för häcksaxen och måste alltid bäras när maskinen används. Använd också kraftiga skor med halksäkra sulor.**
- Bär hörselskydd, såsom hörselkåpor för att undvika hörselskador.**
- Bär skyddsglasögon, skyddshjälm och skyddshandskar för att skydda dig mot flygande material eller fallande föremål.**
- Bär skyddshandskar när du rör vid blad eller justerar bladvinkeln.** Bladen kan skära oskyddade händer allvarligt.

Användning

- Använd alltid två händer för att manövrera verktyget.** Att bara använda en hand kan göra att du tappar kontrollen och leda till allvarlig personskada.
- Se alltid till när du använder verktyget att arbetspositionen är säker och trygg. Att sträcka sig för långt med verktyget, särskilt från en stege, är extremt farligt. Arbeta inte om inte underlaget är fast eller stadigt.**
- Ha inte på dig flera remmar och/eller axelband samtidigt när du använder verktyget.**
- Håll åskådare och djur på minst 15 m avstånd från verktyget under användningen. Stanna verktyget så fort någon närmar sig.**
- Om skärverktyget slår emot något föremål eller verktyget börjar ge ifrån sig ovanliga ljud eller vibrerar, stäng då genast av verktyget, ta bort batterikassetten och låt verktyget stanna. Vidta sedan följande åtgärder:**
 - kontrollera om skada har uppstått
 - kontrollera om det finns lösa delar och skruva åt dem

- se till att få eventuella skadade delar utbytta eller reparerade med originalreservdelar.
6. Använd verktyget endast för dess avsedda syfte. Använd inte verktyget för några andra syften.
 7. Stäng av verktyget och ta bort batterikassetten innan du
 - rengör det eller tar bort något som fastnat,
 - kontrollerar, utför underhåll eller arbetar på verktyget,
 - justerar skärbladens arbetsläge,
 - lämnar verktyget utan uppsikt.
 8. Se till att verktyget är korrekt placerat i en särskilt anvisad arbetsposition innan du startar det.
 9. Använd inte verktyget med skadade eller mycket utslitna skärblad.
 10. Var alltid medveten om omgivningarna och var uppmärksam på möjliga risker som du kanske inte märker p.g.a. bullret från verktyget.
 11. Var försiktig så att du inte kommer i kontakt med ett metallstängsel eller andra hårda objekt under körningen. Bladet går av och kan orsaka allvarliga skador.
 12. Undvik att starta verktyget oavsiktligt. Bär inte verktyget när batterikassetten är installerad och du har ett finger på avtryckaren. Se till att strömbrytaren är avstängd när du sätter i batterikassetten.
 13. Håll inte i de framskjutande skärbladen eller skäryrtorna när du tar upp eller håller verktyget.
 14. Tryck inte hårt med verktyget. Det gör sitt jobb bättre och med mindre risk för olycka i den fart som det är konstruerat för.
 15. Använd inte verktyget i regn eller under våta eller fuktiga förhållanden. Den elektriska motorn är inte vattentät.
 16. Håll ett stadigt tag i maskinen när du arbetar.
 17. Använd inte maskinen obelastad i nödan.
 18. Stäng alltid av verktyget och ta bort batterikassetten innan skärbladen kontrolleras, innan ett fel ska åtgärdas eller innan material tas bort som har fastnat i skärbladen.
 19. Rikta aldrig skärbladen mot dig själv eller någon annan.
 20. Om klingorna slutar att röra sig på grund av att främmande föremål fastnar mellan klingorna under arbetet, stänger du av verktyget och tar bort batterikassetten. Ta sedan bort de främmande föremålen med hjälp av ett verktyg, såsom en tång. Att ta bort de främmande föremålen för hand kan orsaka skador på grund av att klingorna kan röra sig som en reaktion på att de främmande föremålen tas bort.
 21. Var försiktig så att du inte skadar dina händer när du monterar eller tar bort bladskyddet.

El- och battersäkerhet

1. Undvik farliga miljöer. Använd inte verktyget på fuktiga eller blöta platser och utsätt det inte för regn. Vatten som kommer in i verktyget ökar risken för elektrisk stöt.

2. Släng inte batteriet/batterierna i öppen eld. Cellen kan explodera. Kontrollera de lokala reglerna för att se eventuell särskild avfallshantering.
3. Öppna inte eller förstör batteriet/batterierna. Elektrolyt som kommer ut är frätande och kan ge ögon- eller hudskador. Det kan vara giftigt vid förtäring.
4. Ladda inte batteriet i regn eller i fuktiga eller våta utrymmen.
5. Ladda inte batteriet utomhus.
6. Hantera inte laddaren, däribland laddarstickproppen, och laddarens kopplingar med våta händer.

Underhåll och förvaring

1. När verktyget ska stoppas för service, inspektion eller förvaring, stäng då av det och ta bort batterikassetten, och försäkra dig om att alla rörliga delar har stannat. Låt verktyget svalna innan du gör några inspektioner, justeringar osv.
2. Låt alltid verktyget svalna innan du ställer in det för förvaring.
3. När verktyget inte används ska bladskyddet sättas fast på det och det ska förvaras inomhus på en torr och högt belägen låst plats, utom räckhåll för barn.
4. Underhåll verktyget med omsorg. Håll eggen vass och ren för bästa prestanda och för att minska skaderisken. Följ instruktionerna för smörjning och byte av tillbehör. Håll handtagen torra, rena och fria från olja och fett.
5. Kontrollera eventuella skadade delar. Innan du använder verktyget igen måste du noggrant kontrollera alla delar som är skadade så att de fungerar ordentligt och fyller sin funktion. Kontrollera inriktningen och fästet för rörliga delar, om det finns trasiga delar, montering eller andra förhållanden som kan påverka användningen av maskinen. Ett skydd eller en annan del som är skadad ska repareras ordentligt eller bytas ut av en auktoriserad serviceverkstad.
6. Använd endast originalreservdelar.
7. När verktyget ska flyttas till en annan plats, även under pågående arbete, ska batterikassetten alltid tas bort och bladskyddet fästas på skärbladen. Bär aldrig och transportera aldrig verktyget medan bladen är igång. Ta aldrig i bladen med händerna.
8. Rengör verktyget och speciellt skärbladen efter användning och innan verktyget tas i förvar för en längre period. Smörj skärbladen lätt med olja och trä på bladskyddet.
9. Släng inte batteriet/batterier in i öppen eld. Cellen kan i annat fall explodera. Kontrollera om några speciella lokala föreskrifter föreligger avseende avfallshantering.
10. Öppna inte eller skada/deformera/punktera batteriet/batterierna. Elektrolyten som kommer ut är frätande och kan ge ögon- eller hudskador. Den kan vara giftig vid intag.
11. Ladda inte batteriet i regn eller i fuktiga eller våta utrymmen.

SPARA DESSA ANVISNINGAR.

⚠ VARNING: GLÖM INTE att också fortsättningsvis strikt följa säkerhetsanvisningarna för maskinen även efter att du blivit van att använda den. Vid FELAKTIG HANTERING av maskinen eller om inte säkerhetsanvisningarna i denna bruksanvisning följs kan följden bli allvarliga personskador.

BESKRIVNING AV DELAR

- **Fig.1:** 1. Bladskydd 2. Vinkelinställningshandtag
3. Lock 4. Skärblad 5. Skjutspak 6. Främre handtaget

MONTERING

⚠ VARNING: Före montering eller justering av utrustningen stänger du av motorn och avlägsnar batterikassetten. Annars kan maskinen starta oavsiktligt och resultera i en personskada.

⚠ VARNING: Lägg alltid ner utrustningen när du ska montera eller justera den. Om du monterar eller justerar utrustningen i upprätt läge kan det leda till allvarliga skador.

⚠ VARNING: Följ varningar och försiktighetsåtgärder i kapitlet "SÄKERHETS VARNINGAR" och i drivenhetens bruksanvisning.

Montera tillsatsen

1. Ta bort locket från tillsatsen.

► **Fig.2:** 1. Lock

2. För in röret i tillsatsen så att hålet i röret är inriktat med hålet i tillsatsen. Dra först åt den korta bulten ordentligt och dra sedan åt den långa bulten för att fixera röret.

► **Fig.3:** 1. Hål 2. Rör 3. Bult (kort) 4. Bult (lång)

OBS: Applicera ett åtdragningsmoment på 4,0–6,0 N•m när du drar åt muttern.

Montera anslutningsröret

⚠ FÖRSIKTIGT: Kontrollera alltid att anslutningsröret är ordentligt fastsatt efter installation. Felaktig installation kan göra så att tillsatsen lossar från drivenheten och orsakar personskador.

Montera anslutningsröret på drivenheten.

1. Ta bort locket från rörändan.

► **Fig.4:** 1. Rör 2. Lock

OBSERVERA: Släng inte locket eftersom det behövs för att förvara tillsatsen.

2. Vrid spärren mot drivenheten.

► **Fig.5:** 1. Spak

3. Rikta in stiftet mot pilmarkeringen på drivenheten. Sätt in röret tills frigöringsknappen ploppar upp.

Kontrollera att positionslinjen ligger på pilmarkeringens spets på drivenheten och att pilmarkeringen på drivenheten och pilmarkeringen på röret är vända mot varandra.

► **Fig.6:** 1. Frigöringsknapp 2. Pilmarkering på drivenheten 3. Stift 4. Positionslinje 5. Pilmarkering på röret

4. Vrid spärren mot drivenheten.

► **Fig.7:** 1. Spak

Se till att spärrens yta är parallell mot röret.

OBSERVERA: Dra inte åt spärren utan att anslutningsröret är insatt. I annat fall kan spärren dra åt drivaxelns öppning för mycket och skada den.

För att ta bort röret, vrid spärren mot tillsatsen och dra ut röret samtidigt som frigöringsknappen trycks ner.

► **Fig.8:** 1. Frigöringsknapp 2. Spärr 3. Rör

Montering eller borttagning av skärbladen

⚠ FÖRSIKTIGT: Bär alltid handskar så att händerna inte kommer i direktkontakt med skärbladen när du byter dem.

⚠ FÖRSIKTIGT: Sätt på bladskyddet innan skärbladen monteras eller demonteras.

OBSERVERA: Torka inte av smörjett från vevhuset vid byte av skärblad.

OBS: Innan du monterar eller tar bort skärbladen, vik ut tillsatsen så att tillsatsen är rakt mot röret.

1. Montera bladskyddet på skärbladen.

► **Fig.9:** 1. Bladskydd

2. Placera tillsatsen upp och ned.

3. Ta bort de fyra bultarna med insexnyckeln och ta bort skyddet och plattan (stor).

► **Fig.10:** 1. Bult 2. Hölje 3. Platta (stor)

4. Vrid vevhuset med spårskruvmejseln så att vevhuset är placerat i riktningen som visas i figuren.

► **Fig.11:** 1. Vevhus

5. Ta bort de två bultarna.

► **Fig.12:** 1. Bult

6. Ta bort filt dynan (kort), filt dynan (lång), plattan (liten) och hylsorna.

► **Fig.13:** 1. Filt dyna (kort) 2. Filt dyna (lång) 3. Platta (liten) 4. Hylsa

7. Ta bort skärbladen från tillsatsen.

► **Fig.14**

8. Ta av bladskyddet och sätt sedan fast det på de nya skärbladen.

9. Ta bort dammskyddet från skärbladen och fäst det i läget som visas i figuren på de nya skärbladen.

► **Fig.15:** 1. Dammskydd

10. Sätt i bulten som togs bort i steg 5 i hålet på skärbladen genom hålet på bladskyddet.

► **Fig.16:** 1. Hål 2. Bult

11. Smörj vevhusets ytterkant något med smörj fett. Sätt fast skärbladen på tillsatsen.

► **Fig.17**

12. Sätt fast hylsorna och plattan (liten) till skärbladen och dra åt bulten.

► **Fig.18:** 1. Bult 2. Platta (liten) 3. Hylsa

13. Ta bort bulten som sattes in i hålet på skärbladen i steg 10 och dra sedan åt den för att fästa skärbladen.

14. Sätt fast fildynan (kort) och fildynan (lång).

► **Fig.19:** 1. Fildyna (kort) 2. Fildyna (lång)

15. Sätt fast plattan (stor) och skyddet och dra sedan åt de fyra bultarna.

► **Fig.20:** 1. Bult 2. Hölje 3. Platta (stor)

OBSERVERA: Om skärbladen inte fungerar som de ska sitter bladen inte ordentligt i vevhuset. Demontera bladen och montera dem på nytt.

OBSERVERA: Om andra delar än skärblad slits ut (t.ex. vevhus), kontakta Makitas auktoriserade servicecenter för utbytesdelar eller reparation.

FUNKTIONSBESKRIVNING

⚠FÖRSIKTIGT: Se alltid till att maskinen är avstängd och batterikassetten borttagen innan du justerar maskinen eller kontrollerar dess funktioner.

Inställning av sågvinkeln

⚠FÖRSIKTIGT: Se alltid till att verktyget är avstängt innan du justerar skärvinkeln.

Huvudets vinkel kan justeras i 13 steg. Följ stegen nedan för att ändra vinkeln på huvudet.

1. Håll fast vinkeinställningshandtaget och justera sedan vinkeln på huvudet samtidigt som du drar i skjutspaken. Släpp sedan skjutspaken.

► **Fig.21:** 1. Skjutspak 2. Vinkelinställningshandtag

2. Flytta huvudet lätt tills det låses fast med ett klick.

OBS: Se till att huvudet är ordentligt låst innan du använder verktyget.

ANVÄNDNING

⚠VARNING: Följ varningar och försiktighetsåtgärder i kapitlet "SÄKERHETSVARNINGAR" och i drivenhetens bruksanvisning.

Användning av verktyget

⚠VARNING: Använd inte verktyget nära några elektriska kraftledning. Kontakt med kraftledning eller användning i verktyget i närheten av dem kan orsaka allvarig skada eller elektrisk stöt med dödsfall som följd.

⚠VARNING: Håll händerna borta från skärbladen.

⚠VARNING: Var ytterst försiktig så att du alltid behåller kontrollen över maskinen. Låt aldrig maskinen vridas mot dig eller någon annan i närheten. Om du mister kontrollen över maskinen kan detta orsaka allvariga personskador på åskådare eller dig själv.

⚠FÖRSIKTIGT: Undvik i mesta möjliga mån att använda maskinen i brännande solsken. Var rädd om dig när du använder maskinen.

⚠FÖRSIKTIGT: Var försiktig så att du inte kommer i kontakt med ett metallstängsel eller andra hårda objekt under trimningen. Skärbladen kan gå av och orsaka skada.

⚠FÖRSIKTIGT: Se till att skärbladen inte kommer i kontakt med marken. Maskinen kan då skjuta iväg stenar och dylikt och orsaka skador.

⚠FÖRSIKTIGT: Att sträcka sig för långt med en häcksax, särskilt från en stege, är extremt farligt. Arbeta inte när du står på ett underlag som inte är fast eller stabilt.

OBSERVERA: Försök inte att klippa av grenar som är tjockare än 10 mm i diameter med verktyget. Klipp stora grenar till 10 cm lägre än klipphöjden med en grensax innan du använder detta verktyg.

► **Fig.22:** (1) Klipphöjd (2) 10 cm

OBSERVERA: Klipp inte ner döda träd eller liknande hårda föremål. Det kan skada maskinen.

OBSERVERA: Trimma inte gräs eller ogräs med skärbladen. Skärbladen kan trassla in sig i gräset eller ogräset.

Håll fast verktyget med båda händerna genom att hålla i det främre handtaget på drivenheten eller det främre handtaget på tillsatsen och det bakre handtaget på drivenheten.

► **Fig.23:** 1. Främre handtag 2. Bakre handtaget

Tryck in avtryckaren samtidigt som du trycker på säkerhetsspaken och för sedan verktyget framåt.

► **Fig.24**

För grundläggande användning, luta skärbladen i trimningsriktningen och flytta maskinen lugnt och långsamt med en hastighet på 3 till 4 sekunder per meter.

► **Fig.25**

Klipp underifrån och uppåt för att klippa en häcksida rakt.

► Fig.26

För att trimma något i en rund form (t.ex. buxbom eller rhododendron) trimma från rötterna och uppåt för ett vackert resultat.

► Fig.27

UNDERHÅLL

⚠ VARNING: Före inspektion eller underhåll av utrustningen ska du stänga av motorn och avlägsna batterikassetten. Annars kan maskinen starta oavsiktligt och resultera i allvarlig personskada.

⚠ VARNING: Lägg alltid ner utrustningen när du ska inspektera den eller utföra underhåll. Om du monterar eller justerar utrustningen i upprätt läge kan det leda till allvarliga skador.

⚠ VARNING: Följ varningar och försiktighetsåtgärder i kapitlet "SÄKERHETSVARNINGAR" och i drivenhetens bruksanvisning.

⚠ FÖRSIKTIGT: Bär handskar vid inspektion eller underhåll.

OBSERVERA: Använd inte bensin, förtunningsmedel, alkohol eller liknande. Missfärgning, deformation eller sprickor kan uppstå.

För att upprätthålla produktens SÄKERHET och TILLFÖRLITLIGHET bör allt underhålls- och justeringsarbete utföras av ett auktoriserat Makita servicecenter och med reservdelar från Makita.

Rengöra maskinen

Rengör maskinen genom att torka av damm med en torr trasa, eller en urvriden trasa fuktad med såpvatten.

OBSERVERA: Använd inte bensin, förtunningsmedel, alkohol eller liknande. Missfärgning, deformation eller sprickor kan uppstå.

Underhåll av skärbladen

Innan användning eller en gång i timmen under användning bör skärbladen smörjas med lågviskositetsolja (maskinolja eller smörjolja i sprayform).

► Fig.28

Avlägsna efter användning damm från båda sidorna av skärbladen med en trådborste. Torka av med en trasa och smörj sedan skärbladen med lågviskositetsolja (maskinolja eller smörjolja i sprayform).

► Fig.29

OBSERVERA: Tvätta inte skärbladen i vatten. Det kan göra att maskinen rostar eller skadas.

OBSERVERA: Smuts och rost orsakar förhöjd friktion i skärbladet och förkortar användningstiden per batteriladdning.

Förvaring

Sätt på bladskyddet på skärbladen så att bladen inte exponeras och riskerar att skadas. Förvara maskinen utom räckhåll för barn. Förvara maskinen på en plats som inte utsätts för fukt eller regn. Sätt på locket på änden av röret om tillsatsen förvaras separat från drivenheten.

► Fig.30

Smörja rörliga delar

OBSERVERA: Följ instruktionerna angående hur mycket smörjmedel som ska appliceras och hur ofta detta ska göras. I annat fall kan otillräcklig smörjning skada rörliga delar.

Drivaxel:

Applicera fett (Makita-fett N No.2 eller motsvarande) efter var 30:e användningstimme.

► Fig.31

OBS: Smörjfett från Makita måste köpas från din Makita-leverantör.

Fettsmörjning

Smörjningsintervall: Var 25:e driftstimme

1. Ta bort bulten från hålet för att smörja den.

► Fig.32: 1. Bult

2. Ta bort locket från fettkärllet. Passa in fettkärllets utlopp med hålet på skyddet, och vrid fettkärllet så att utloppet på fettkärllet fästs i hålet.

► Fig.33: 1. Fettkärl 2. Hål

3. Lägg på fettet på maskinen (ca 3 g är riktmärket).

4. Ta bort fettkärllet.

5. Dra åt bulten.

Slipa skärbladen

OBSERVERA: Om skärbladen avsevärt har deformationerats vid slipningen ska skärbladen bytas mot nya.

1. Installera batterikassetten på maskinen.

2. Sätt på och starta maskinen så att det övre och undre bladet placeras omväxlande.

► Fig.34

3. Stäng av maskinen och ta bort batterikassetten från maskinen.

4. Ställ in filens vinkel till 45° och slipa det övre bladet från 3 riktningar med filen.

► Fig.35: (1) Fil (2) 45°

⚠ FÖRSIKTIGT: Innan skärbladen slipas, se till att maskinen är avstängd och att batterikassetten är urtagen.

5. Placera verktyget upp och ner och ta sedan bort skägget från skärbladen med brynstenen.

► Fig.36: 1. Brynsten

6. Ställ in filens vinkel på 45° och slipa det undre bladet från 3 riktningar med filen.

7. Återställ verktyget till normal position, och ta sedan bort skägget från skärbladen med brynstenen.

FELSÖKNING

Innan du ber om reparation ska du först utföra en egen kontroll. Om du hittar ett problem som inte finns förklarat i bruksanvisningen ska du inte försöka att ta isär maskinen. Fråga istället ett auktoriserad servicecenter för Makita, och använd alltid reservdelar från Makita för reparationer.

Feltillstånd	Trolig orsak (felsfunktion)	Åtgärd
Motorn startar inte.	-	Se bruksanvisningen för drivenheten.
Motorn stannar genast.	-	Se bruksanvisningen för drivenheten.
Motorhastigheten ökar inte.	-	Se bruksanvisningen för drivenheten.
Skärbladen rör sig inte: ⇒ Stoppa maskinen omedelbart!	Främmande föremål har fastnat mellan skärbladen.	Stäng av verktyget och ta bort batterikassetten, och ta sedan bort de främmande föremålen med verktyg som t.ex. en tång.
	Drivsystemet fungerar inte som det ska.	Lämna in till ditt lokala auktoriserade servicecenter för reparation.
Onormal vibration: ⇒ Stoppa maskinen omedelbart!	Skärbladen är brustna, böjda eller slitna.	Byt ut skärbladen.
	Drivsystemet fungerar inte som det ska.	Lämna in till ditt lokala auktoriserade servicecenter för reparation.
Skärbladen och motorn kan inte stanna: ⇒ Ta omedelbart ur batteriet!	Elektriskt funktionsfel.	Ta ur batteriet och lämna in till ditt lokala auktoriserade servicecenter för reparation.

VALFRIA TILLBEHÖR

⚠ FÖRSIKTIGT: Följande tillbehör eller tillsatser rekommenderas för användning med den Makita-maskin som denna bruksanvisning avser. Om andra tillbehör eller tillsatser används kan det uppstå risk för personskador. Använd endast tillbehören eller tillsatserna för de syften de är avsedda för.

Kontakta ditt lokala Makita servicecenter om du behöver ytterligare information om dessa tillbehör.

- Skärbladstillsats
- Fettkärl
- Makitas originalbatteri och laddare

OBS: Några av tillbehören i listan kan vara inkluderade i produktpaketet som standardtillbehör. De kan variera mellan olika länder.

TEKNISKE DATA

Modell:	EN402MP
Bladlengde	500 mm
Total lengde	1444 mm
Nettovekt	2,4 kg

- På grunn av vårt kontinuerlige forsknings- og utviklingsprogram kan spesifikasjonene som oppgis i dette dokumentet endres uten varsel.
- Spesifikasjonene kan variere fra land til land.

Godkjent drivenhet

Dette tilbehøret er godkjent for bruk kun med følgende drivenhet(er):

- DUX60 batteridrevet flerfunksjonelt drivhode
- DUX18 batteridrevet flerfunksjonelt drivhode
- UX01G batteridrevet flerfunksjonelt drivhode

⚠ADVARSEL: Bruk aldri tilbehøret uten godkjent drivenhet. En kombinasjon som ikke er godkjent, kan føre til alvorlig skade.

Symboler

Nedenfor ser du symbolene som kan brukes for dette utstyret. Forviss deg om at du forstår hva de betyr, før du begynner å bruke maskinen.



Les og følg bruksanvisningen.



FARE – Hold hendene veg fra bladet.



Pass opp for elektriske ledninger. Fare for elektrisk sjokk.



Bruk hjelm, vernebriller og hørselvern.



Bruk vernehansker.



Bruk robust fotstøy med såler som gir godt feste.



Hold tilskuere og dyr minst 15 m på avstand fra maskinen.



Hold området for driften klar for personer og kjæledyr.



Garantert lydeffektivnivå i henhold til EU-direktivet om støy fra utstyr til utendørs bruk.



Lydeffektivnivå i henhold til Australia NSW støykontrollforskrift

Riktig bruk

Dette tilbehøret er kun laget for å trimme hekker når det brukes sammen med et godkjent drivverk. Dette tilbehøret må aldri brukes til andre formål. Feil bruk av tilbehøret kan føre til alvorlige personskader.

EFs samsvarserklæring

Gjelder kun for land i Europa

Vi, produsentene: **Makita Europe N.V.**, Kontoradresse: **Jan-Baptist Vinkstraat 2 3070 Kortenberg, BELGIA.** Gir **Hiroshi Tsujimura** fullmakt til å utarbeide den tekniske filen, og erklærer under vårt eneansvar at produktet/produktene; Betegnelse: **Hekktrimmerutstyr**. Typebetegnelse(r): **EN402MP.**

Oppfyller alle de relevante bestemmelsene i **2006/42/EF** og oppfyller også alle de relevante bestemmelsene i følgende EF-/EU-direktiver: **2000/14/EF** og er produsert i samsvar med følgende harmoniserte standarder: **EN62841-1:2015, EN 62841-4-2:2019, EN ISO 11806-1:2011.**

Sted og dato for erklæringen: **Kortenberg, Belgia. 20. 12. 2022**

Ansvarlig person: **Hiroshi Tsujimura, direktør – Makita Europe N.V.**

SIKKERHETSADVARSEL

Sikkerhetsadvarsler for batteridrevet stanghekktrimmer

- Hold alle deler av kroppen borte fra bladet. Ikke forsøk å fjerne kapp eller å holde fast materiale som skal kuttes, mens bladene er i bevegelse.** Bladene fortsetter å bevege seg etter at bryteren slås av. Et øyeblikks uoppmerksomhet mens du bruker hekktrimmeren kan være nok til å forårsake alvorlige personskader.
- Bær hekktrimmeren i håndtaket med bladet stoppet, og pass på å ikke komme borti noen strømbrytere.** Hvis du bærer hekktrimmeren riktig, reduserer det faren for å starte den utilsiktet slik at bladene forårsaker personskader.
- Før transport eller oppbevaring av hekktrimmeren må bladdekslet alltid settes på.** Korrekt håndtering av hekktrimmeren vil redusere faren for at bladene forårsaker personskader.
- Når du skal fjerne materiale som sitter fast eller utføre service på enheten, må du kontrollere at alle strømbrytere er slått av og at batteripakken er tatt ut eller frakoblet.** Uventet aktivering av hekktrimmeren mens du fjerner materiale som sitter fast eller utfører service, kan forårsake alvorlige personskader.
- Hekktimmeren skal kun holdes i de isolerte håndtakene, ettersom bladet kan komme i kontakt med skjulte ledninger.** Hvis bladene kommer i kontakt med en strømførende ledning, kan metalldelene på hekktrimmeren bli strømførende og føre til at brukeren får støt.
- Hold alle strømledninger og kabler unna kapeområdet.** Strømledninger eller kabler kan være skjult i hekker eller busker og utilsiktet bli kappet av bladet.
- Ikke bruk hekktrimmeren under dårlige værforhold, spesielt hvis det er fare for lyn.** Dette reduserer faren for å bli truffet av lyn.
- Stanghekktrimmeren må aldri brukes nær høyspente strømlinjer, etter som det kan føre til død ved elektrisk strøm.** Kontakt med eller nær strømlinjer kan forårsake alvorlige skader eller elektrisk støt som fører til død.
- Du må alltid bruke begge hender når du bruker stanghekktrimmeren.** Hold stanghekktrimmeren med begge hender for å unngå å miste kontrollen.
- Du må alltid ha på deg hodebeskyttelse når du bruker stanghekktrimmeren over hodehøyde.** Gjenstander som faller ned kan forårsake alvorlige personskader.
- Kontroller at det ikke er noen fremmedlegemer i hekkene eller buskene, som piggråd eller skjulte kabler.**
- Hekktimmeren må ikke brukes av barn eller unge under 18 år.** Det kan gjøres unntak for ungdom over 16 år hvis de får opplæring under overoppsyn av en ekspert.
- I et nødstilfelle skal verktøyet slås av øyeblikkelig og batteriet tas ut.**
- FARE - Hold hendene unna bladet.** Kontakt med bladet vil forårsake alvorlig personskade.
- Førstegangsbrukere skal få en erfaren bruker av til å vise dem hvordan verktøyet skal brukes.**
- Undersøk området for nettinggjerd, steiner og andre harde gjenstander før du begynner bruken.** De kan ødelegge bladene.
- Bruk hekktrimmeren kun hvis du er i god fysisk form.** Trethet fører til uaktsomhet. Vær spesielt forsiktig på slutten av arbeidsdagen. Utfør alt arbeid rolig og forsiktig. Brukeren er ansvarlig for all skader på tredjepart.
- Før du begynner å jobbe, må du kontrollere at hekktrimmeren er funksjonsdyktig og i god stand.** Påse at vernene er satt skikkelig på. Hekktimmeren må ikke brukes med mindre den er satt helt sammen.
- Unngå farlige omgivelser.** Ikke bruk utstyret i fuktige eller våte omgivelser, og ikke utsett det for regn. Hvis det kommer vann inn i verktøyet, vil risikoen for elektriske støt øke.

Personlig verneutstyr

- Arbeidshansker av kraftig skinn inngår i det grunnleggende utstyret til hekktrimmeren og må alltid brukes under arbeidet med den.** Bruk også robuste sko med sklisikre såler.
- Bruk hørselsvern, f.eks. øreklokker, for å unngå hørselstap.**
- Bruk vernebriller, sikkerhetshjelm og vernehansker for å beskytte deg selv mot flygende eller fallende gjenstander.**
- Bruk vernehansker når du tar på bladene eller justerer bladvinkelen.** Bladene kan føre til alvorlige kuttskader på ubeskyttede hender.

Bruk

- Bruk alltid to hender når du bruker verktøyet.** Hvis du bruker én hånd, kan du miste kontrollen og forårsake alvorlige personskader.
- Når du bruker verktøyet, må du alltid sørge for at arbeidstillingen er trygg og sikker.** A lena seg ut over noe med verktøyet, særlig fra en stige, er svært farlig. Når du jobber, må du ikke stå på noe som er ustøtt eller ustabilit.
- Ikke ha på deg flere belteseler og/eller skulderseler samtidig når du bruker verktøyet.**
- Andre personer eller dyr må holdes på minst 15 meters avstand når verktøyet er i bruk.** Stans verktøyet umiddelbart så snart noen nærmer seg.
- Hvis skjæreverktøyet treffer en gjenstand eller hvis verktøyet begynner å lage uvanlig støy, slår du av verktøyet og tar ut batteriet umiddelbart, og venter til verktøyet stopper.** Deretter iverksetter du følgende tiltak:
 - inspiser for skader
 - kontroller og stram alle løs deler

Flere sikkerhetsinstruksjoner

Klargjøring

- DENNE HEKKTIMMEREN KAN FORÅRSAKE ALVORLIGE SKADER.** Les nøye gjennom bruksanvisningen for å finne ut hvordan du bruker, klargjør, vedlikeholder starter og stopper verktøyet på riktig måte. Gjør deg kjent med alle kontrollene, og sett deg inn i hvordan verktøyet fungerer.

- skift ut eller reparer skadde deler med originale reservedeler.
6. **Verktøyet skal kun brukes til tiltenkt formål. Ikke bruk verktøyet til andre formål.**
 7. **Slå av verktøyet, og ta ut batteriet før du:**
 - rengjør eller fjerner en blokkering,
 - kontrollerer, utfører vedlikehold eller jobber på verktøyet,
 - justerer skjærebladenes arbeidsstilling,
 - forlater verktøyet uten tilsyn.
 8. **Kontroller at verktøyet er riktig plassert i en angitt arbeidsstilling før du starter verktøyet.**
 9. **Ikke bruk er verktøy som er skadet eller hvis skjærebladene er veldig slitte.**
 10. **Vær alltid oppmerksom på omgivelsene, og vær årvåken med tanke på mulige farer som du kanskje ikke legger merke til på grunn av støyen fra verktøyet.**
 11. **Vær forsiktig så du ikke utilsiktet kommer borti et metallgjerde eller andre harde gjenstander under bruk.** Bladet vil brette og kan forårsake alvorlige personskader.
 12. **Unngå utilsiktet start. Ikke bær verktøyet med batteriet satt i og med en finger på bryteren. Kontroller at bryteren er slått av før du setter i batteriet.**
 13. **Ikke grip tak i skjæreblader eller skjærekanten når du plukker opp eller holder verktøyet.**
 14. **Ikke bruk makt på verktøyet.** Det vil gjøre jobben bedre og med mindre risiko for skader i den hastigheten det er konstruert for.
 15. **Ikke bruk verktøyet når det regner eller når luftfuktigheten er veldig høy.** Den elektriske motoren er ikke vanntett.
 16. **Hold verktøyet i et fast grep når du bruker det.**
 17. **Ikke bruk verktøyet uten belastning, hvis det ikke er nødvendig.**
 18. **Før du kontrollerer skjærebladene, utbedrer feil eller fjerner fremmedlegemer som har satt seg fast i skjærebladene, må du alltid slå av verktøyet og ta ut batteriet.**
 19. **Du må aldri rette skjærebladene mot deg selv eller andre.**
 20. **Hvis bladene slutter å bevege seg på grunn av fremmedlegemer som sitter fast mellom bladene under drift, må du slå av verktøyet og ta ut batterikassetten, og deretter fjerne fremmedlegemene med et verktøy slik som for eksempel en tang. Å fjerne greiner eller avfall som har satt seg fast med hendene, kan medføre til en personskade, da sagbladene kan bevege seg som reaksjon på at fremmedlegemene fjernes.**
 21. **Vær forsiktig så du ikke skader hendene dine når du monterer eller demonterer bladdekselet.**

Elektrisk sikkerhet og batterisikkerhet

1. **Unngå farlige miljøer. Ikke bruk verktøyet i fuktige eller våte omgivelser, og ikke utsett det for regn.** Hvis det kommer vann inn i verktøyet, vil risikoen for elektriske støt øke.
2. **Ikke kast batteriet (batteriene) på åpen ild.** Cellen kan eksplodere. Batterier skal leveres til en forhandler av elektroutstyr eller til et kommunalt avfallsmottak.

3. **Ikke åpne eller ødelegg batteriet (batteriene).** Elektrolytt som lekker ut er korroderende, og kan forårsake skader på øyne og hud. Den kan være giftig hvis den svelges.
4. **Ikke skift batteri når det regner, eller i fuktige omgivelser.**
5. **Ikke lad batteriet utendørs.**
6. **Ikke håndter laderen, inkludert laderstøpelet og laderterminalene, med våte hender.**

Vedlikehold og oppbevaring

1. **Når du stopper verktøyet i forbindelse med service, inspeksjon eller oppbevaring, slår du det av og tar ut batteriet, samtidig som du passer på at alle bevegelige deler har stoppet opp. La verktøyet avkjøles før du inspisierer, justerer, osv.**
2. **La alltid verktøyet avkjøles før det settes til oppbevaring.**
3. **Når verktøyet ikke er i bruk, festes bladdekselet på verktøyet, og verktøyet oppbevares tørt og høyt innelåst – utilgjengelig for barn.**
4. **Vær nøye med vedlikeholdet. Hold skjærekanten skarp og ren for optimal ytelse og for å redusere faren for personskader. Følg instruksjonene for smøring og skifting av tilbehør. Hold grepene tørre, rene og frie for olje og smørefett.**
5. **Kontroller skadde deler. Før videre bruk av verktøyet må du foreta en grundig sjekk av ev. skadde deler for å fastslå om de vil fungere som de skal og fylle sin tiltenkte funksjon. Kontroller at bevegelige deler beveger seg riktig i forhold til hverandre, at bevegelige deler kan bevege seg fritt, om noen deler er brukket, om monteringen er som den skal, eller om andre forhold kan påvirke utstyrets funksjon. Et vern eller en annen del som er skadet, må repareres ordentlig eller skiftes av det autoriserte servicesenteret.**
6. **Bruk kun originale reservedeler.**
7. **Når du flytter verktøyet til et annet sted, inkludert under arbeid, må du alltid ta ut batteriet og dekke til skjærebladene med bladdekselet. Verktøyet må aldri bæres eller transporteres mens bladene er i bevegelse. Grip aldri om bladene med hendene.**
8. **Rengjør verktøyet og særlig skjærebladene etter bruk og før du setter bort verktøyet for oppbevaring i en lengre periode. Olje skjærebladene forsiktig, og sett på bladdekselet.**
9. **Ikke kast batteriet (batteriene) på åpen ild. Cellen kan eksplodere. Batterier skal leveres til en forhandler av elektroutstyr eller til et kommunalt avfallsmottak.**
10. **Ikke åpne eller ødelegg batteriet (batteriene).** Elektrolytt som lekker ut er korroderende og kan forårsake skader på øyne og hud. Den kan være giftig hvis den svelges.
11. **Ikke skift batteri når det regner, eller i fuktige omgivelser.**

TA VARE PÅ DISSE INSTRUKSENE.

⚠ ADVARSEL: IKKE LA hensynet til hva som er "behagelig" eller det faktum at du kjenner produktet godt (etter mange gangers bruk) gjøre deg mindre oppmerksom på sikkerhetsreglene for bruken av det aktuelle produktet. Ved MISBRUK eller hvis ikke sikkerhetsreglene i denne bruksanvisningen følges, kan det oppstå alvorlig personskade.

DELEBESKRIVELSE

- **Fig.1:** 1. Bladdeksel 2. Vinkeljusteringshåndtak
3. Deksel 4. Skjæreblader 5. Skyvehendel
6. Fremre håndtak

MONTERING

⚠ ADVARSEL: Før du monterer eller justerer utstyret må du slå av motoren og ta ut batteriet. Ellers kan maskinen starte uilsiktet, noe som kan føre til personskader.

⚠ ADVARSEL: Legg alltid utstyret ned når du skal montere eller justere det. Hvis du monterer eller justerer utstyret når det står oppreist, kan det føre til alvorlig skade.

⚠ ADVARSEL: Følg advarslene og forholdsreglene i kapittelet "SIKKERHETSADVARSLER" og i brukerveiledningen for drivverket.

Montere tilbehøret

1. Ta hetten av tilbehøret.
► **Fig.2:** 1. Hette
2. Før røret inn i tilbehøret slik at hullet på røret er innrettet etter hullet på tilbehøret. Stram godt til den korte bolten først, og stram deretter til den lange bolten for å feste røret.
► **Fig.3:** 1. Hull 2. Rør 3. Bolt (kort) 4. Bolt (lang)

MERK: Når du strammer boltene, bruker du 4,0–6,0 N·m som tiltrekkingsmoment.

Montere festerøret

⚠ FORSIKTIG: Kontroller alltid at tilbehørsrøret er sikret etter monteringen. Feil montering kan føre til at tilbehøret falle av fra drivverket og kan føre til personskade.

Monter festerøret på et drivverket.

1. Fjern hetten fra rørenden.
► **Fig.4:** 1. Rør 2. Deksel

OBS: Ikke kast hettene, siden disse er nødvendige ved oppbevaring av tilbehøret.

2. Drei hendelen mot tilbehøret.
► **Fig.5:** 1. Spak

3. Still inn stifen med pilmerket avhengig av drivverket. Sett inn røret inntil utløsningsknappen spretter ut.

Kontroller at posisjoneringlinjen er plassert på spissen av pilmerket, og at pilmerket på drivverket og pilmerket på røret vender mot hverandre.

- **Fig.6:** 1. Utløserknapp 2. Pilmerke på drivverket
3. Splint 4. Posisjonslinje 5. Pilmerke på røret

4. Drei hendelen mot drivverket.
► **Fig.7:** 1. Spak

Sørg for at overflaten på hendelen er parallell med røret.

OBS: Ikke stram hendelen uten at tilbehørsrøret er satt inn. Ellers kan hendelen stramme til inngangen for drivakselen for hardt og ødelegge den.

Når du skal fjerne røret, dreier du hendelen mot tilbehøret og trekker ut røret samtidig som du trykker inn utløserknappen.

- **Fig.8:** 1. Utløserknapp 2. Hendel 3. Rør

Montere eller demontere skjærebladene

⚠ FORSIKTIG: Når du skifter ut skjærebladene, må du alltid bruke hansker slik at hendene ikke kommer i direkte kontakt med bladene.

⚠ FORSIKTIG: Fest bladdekslet før du fjerner eller monterer skjærebladene.

OBS: Når du skifter ut skjærebladene, må du ikke tørke fett av drivhjulene.

MERK: Før du monterer eller demonterer skjærebladene, folder du ut tilbehøret slik at det er rett i forhold til røret.

1. Fest bladdekslet til skjærebladene.
► **Fig.9:** 1. Bladdeksel
2. Plasser tilbehøret opp ned.
3. Fjern 4 bolter med sekskantnøkkelen og fjern deksel og plate (stor).
► **Fig.10:** 1. Bolt 2. Deksel 3. Plate (stor)
4. Drei veivakselen med sporskruttrekkeren slik at veivakselen er posisjonert i retningen som vises i figuren.
► **Fig.11:** 1. Veivaksel
5. Fjern 2 bolter.
► **Fig.12:** 1. Bolt
6. Fjern filtputen (kort), filtputen (lang), platen (liten) og hylsene.
► **Fig.13:** 1. Filtpute (kort) 2. Filtpute (lang) 3. Plate (liten) 4. Hylse
7. Fjern skjærebladene fra tilbehøret.
► **Fig.14**
8. Fjern bladdekslet, og fest det deretter på de nye skjærebladene.

9. Fjern støvdekselet fra skjærebladene, og fest det deretter i posisjonen som vises i figuren, på de nye skjærebladene.

► **Fig.15:** 1. Støvdeksel

10. Sett bolten som du fjernet i trinn 5, inn i hullet på skjærebladene gjennom hullet i bladdekselet.

► **Fig.16:** 1. Hull 2. Bolt

11. Påfør en liten mengde smørefett på veivakselens ytterflate. Fest skjærebladene på tilbehøret.

► **Fig.17**

12. Fest hylsene, platen (liten) på skjærebladene og stram deretter til bolten.

► **Fig.18:** 1. Bolt 2. Plate (liten) 3. Hylse

13. Fjern bolten som ble satt inn i hullet i skjærebladene i trinn 10, og stram deretter til for å feste skjærebladene.

14. Fest filtputen (kort) og filtputen (lang).

► **Fig.19:** 1. Filtpute (kort) 2. Filtpute (lang)

15. Fest platen (stor) og dekselet, og stram deretter til 4 bolter.

► **Fig.20:** 1. Bolt 2. Deksel 3. Plate (stor)

OBS: Hvis skjærebladene ikke fungerer som de skal, griper bladene ikke riktig inn i veivakselen. Fjern bladene, og monter dem på nytt.

OBS: Hvis det er andre deler enn sagbladene som er utslitt, som f.eks. veivakselen, ta kontakt med et autorisert Makita servicesenter for nye deler eller reparasjon.

FUNKSJONS BESKRIVELSE

⚠FORSIKTIG: Forviss deg alltid om at maskinen er slått av og batteriet tatt ut før du justerer maskinen eller kontrollerer dens mekaniske funksjoner.

Justere skjærevinkelen

⚠FORSIKTIG: Du må alltid slå av verktøyet før du justerer skjærevinkelen.

Hodets vinkel kan justeres i 13 trinn. Følg trinnene nedenfor for å endre hodets vinkel.

1. Hold i vinkeljusteringshåndtaket og juster deretter vinkelen på hodet mens du drar i skyvehendelen. Slipp deretter skyvehendelen.

► **Fig.21:** 1. Skyvehendel 2. Vinkeljusteringshåndtak

2. Beveg hodet litt til det låses med et klikk.

MERK: Kontroller at hodet sitter godt fast før du bruker verktøyet.

BRUK

⚠ADVARSEL: Følg advarslene og forholdsreglene i kapittelet "SIKKERHETSADVARSLER" og i brukerveiledningen for drivverket.

Bruke verktøyet

⚠ADVARSEL: Ikke bruk verktøyet i nærheten av høyspente strømlinjer. Kontakt med strømlinjer eller bruk av verktøyet nær strømlinjer kan forårsake alvorlige personskader eller elektrisk støt som fører til død.

⚠ADVARSEL: Hold hendene unna skjærebladene.

⚠ADVARSEL: Pass ekstremt godt på at du opprettholder kontrollen over maskinen i denne situasjonen. Ikke la verktøyet kastes mot deg eller noen andre i nærheten av arbeidsstedet. Hvis du ikke klarer å holde kontroll på verktøyet, kan det føre til alvorlige personskader på tilskuere og operatøren.

⚠FORSIKTIG: Unngå å bruke verktøyet i svært varmt vær så sant det lar seg gjøre. Ikke bruk verktøyet hvis du føler deg uvel.

⚠FORSIKTIG: Vær forsiktig så du ikke utilsikket kommer borti et metallgjerde eller andre harde gjenstander mens du beskjærer hekken. Skjærebladene kan brette og forårsake personskade.

⚠FORSIKTIG: Ikke la skjærebladene komme i kontakt med bakken. Verktøyet kan slå tilbake og forårsake personskade.

⚠FORSIKTIG: Å lene seg ut over noe med en hekktrimmer, særlig fra en stige, er svært farlig. Når du jobber, må du ikke stå på noe som er ustøtt eller ustabil.

OBS: Ikke forsøk å beskjære greiner som er tykkere enn 10 mm i diameter med verktøyet. Kutt greiner til 10 cm lavere enn klippehøyden ved hjelp av en greinsaks før du bruker verktøyet.

► **Fig.22:** (1) klippehøyde (2) 10 cm

OBS: Ikke fell trær eller kutt lignende harde gjenstander. Det kan skade verktøyet.

OBS: Ikke kutt gress eller ugress med skjærebladene. Skjærebladene kan vikle seg inn i gresset eller ugresset.

Hold verktøyet med begge hender ved å holde i håndtaket foran på drivverket, eller det fremre grepet på tilbehøret og det bakre grepet på drivverket.

► **Fig.23:** 1. Håndtak foran 2. Bakre grep

Trekk i startbryteren mens du trykker inn AV-sperrehendelen, og beveg deretter verktøyet fremover.

► **Fig.24**

En grunnleggende arbeidsoperasjon består i å vippe bladene den veien beskjæringen skal utføres, og bevege trimmeren sakte og rolig med en hastighet på 3 til 4 sekunder per meter.

► **Fig.25**

For å kutte siden av en hekk jevnt, kutter du fra bunnen og opp til toppen.

► Fig.26

Når du beskærer for å lage en rund form (beskæring av buksbom eller roddendron, osv.), beskærer du fra roten til toppen for en pen avslutning.

► Fig.27

VEDLIKEHOLD

⚠ ADVARSEL: Før du inspiserer eller vedlikeholder utstyret, må du slå av motoren og ta ut batteriet. Ellers kan maskinen starte utilsiktet, noe som kan føre til alvorlige personskader.

⚠ ADVARSEL: Legg alltid utstyret ned når du skal undersøke eller vedlikeholde det. Hvis du monterer eller justerer utstyret når det står oppreist, kan det føre til alvorlig skade.

⚠ ADVARSEL: Følg advarslene og forholdsreglene i kapittelet "SIKKERHETSADVARSLER" og i brukerveiledningen for drivverket.

⚠ FORSIKTIG: Bruk hansker når du utfører inspeksjon eller vedlikehold.

OBS: Aldri bruk gasolin, bensin, tynner alkohol eller lignende. Det kan føre til misfarging, deformering eller sprekkdannelse.

For å opprettholde produktets SIKKERHET og PÅLITELIGHET, må reparasjoner, vedlikehold og justeringer utføres av autoriserte Makita servicesentre eller fabrikkservicesentre, og det må alltid brukes reservedeler fra Makita.

Rengjøre verktøyet

Rengjør verktøyet ved å tørke bort støv med en tørr klut eller en klut som er dyppet i såpevann og vridd opp.

OBS: Aldri bruk gasolin, bensin, tynner alkohol eller lignende. Det kan føre til misfarging, deformering eller sprekkdannelse.

Vedlikehold av skjæreblad

Før bruk, eller en gang i timen under bruk, påfører du olje med lav viskositet (maskinolje eller smøreolje fra en sprayflaske) på skjærebladene.

► Fig.28

Etter bruk fjerner du støv fra begge sidene av skjærebladene med en stålborste, tørker det bort med en klut og påfører deretter olje med lav viskositet (maskinolje eller smøreolje fra en sprayflaske) på skjærebladene.

► Fig.29

OBS: Ikke vask skjærebladene i vann. Det kan føre til at verktøyet begynner å ruste eller blir skadet.

OBS: Smuss og korrosjon forårsaker høy bladfriksjon og forkorter driftstiden per batterilading.

Lagring

Fest bladdekselet til skjærebladene slik at bladene ikke er utildekket. Oppbevar verktøyet utilgjengelig for barn. Oppbevar verktøyet på et sted som ikke er utsatt for fuktighet eller regn.

Når du oppbevarer tilbehøret separat fra drivverket, må du sette dekkelet på enden av røret.

► Fig.30

Smøring av bevegelige deler

OBS: Følg anvisningene for hvor ofte og hvor mye smurning som skal påføres. Ellers kan utilstrekkelig smurning føre til skade på bevegelige deler.

Drivaksel:

Påfør smørefett (Makita smørefett N No.2 eller tilsvarende) hver 30. driftstime.

► Fig.31

MERK: Originalt Makita-smørefett kan kjøpes hos den lokale Makita-forhandleren.

Fettsmøring

Smøreintervall: Hver 25 driftstime

1. Fjern bolten fra hullet for smøring.
► Fig.32: 1. Bolt
2. Fjern hetten fra fettbeholderen. Rett inn utløpet på fettbeholderen med hullet i dekselet, og vri deretter fettbeholderen for å feste utløpet på fettbeholderen i hullet.
► Fig.33: 1. Fettbeholder 2. Hull
3. Fyll fett på verktøyet (omtrent 3 som en retningslinje).
4. Fjern fettbeholderen.
5. Trekk til bolten.

Slipe skjærebladene

OBS: Hvis skjærebladene er blitt betydelig deformert av sliping, må du erstatte skjærebladene med nye.

1. Sett batteriet inn i verktøyet.
2. Slå på og start verktøyet slik at det øver bladet og det nedre bladet er posisjonert vekselvis.
► Fig.34
3. Slå av verktøyet og fjern batteriet fra verktøyet.
4. Still vinkelen på en fil inn til 45° og slip det øvre bladet fra 3 retninger med filen.
► Fig.35: (1) Fil (2) 45°

⚠ FORSIKTIG: Før du sliper skjærebladene, må du forsikre deg om at verktøyet er slått av og at batteriet er tatt ut av verktøyet.

5. Plasser verktøyet opp ned, og fjern deretter grader fra skjærebladene med en pussesein.

► **Fig.36: 1.** Pussesein

6. Still inn vinkelen på filen til 45° og slip det nedre bladet fra 3 retninger med filen.

7. Plasser verktøyet i normal posisjon, og fjern deretter grader fra skjærebladene med pusseseinen.

FEILSØKING

Inspiser utstyret selv før du bestiller reparasjon. Ikke prøv å demontere verktøyet hvis du finner et problem som ikke er forklart i brukerveiledningen. I stedet bør du ta kontakt med et av Makitas autoriserte servicesentre, som alltid bruker reservedeler fra Makita til reparasjoner.

Unormal tilstand	Sannsynlig årsak (feil)	Løsning
Motoren starter ikke.	-	Se brukerveiledningen for drivverket.
Motoren stanser raskt.	-	Se brukerveiledningen for drivverket.
Motorhastigheten øker ikke.	-	Se brukerveiledningen for drivverket.
Skjærebladene beveger seg ikke: ⇒ stans maskinen umiddelbart!	Fremmedlegemer sitter fast mellom skjærebladene.	Slå av verktøyet og ta ut batteriet, og deretter fjerner du fremmedlegemene ved hjelp av verktøy som f.eks. en tang.
	Drivsystemet virker ikke slik det skal.	Kontakt ditt nærmeste autoriserte servicesenter hvis det oppstår behov for reparasjon.
Unormale vibrasjoner: ⇒ stans maskinen umiddelbart!	Skjærebladene er knekte, bøyd eller slitte.	Skift ut skjærebladene.
	Drivsystemet virker ikke slik det skal.	Kontakt ditt nærmeste autoriserte servicesenter hvis det oppstår behov for reparasjon.
Skjærebladene og motoren vil ikke stoppe: ⇒ Fjern batteriet umiddelbart!	Elektrisk funksjonfeil.	Fjern batteriet og kontakt ditt nærmeste autoriserte servicesenter for reparasjon.

VALGFRITT TILBEHØR

⚠ FORSIKTIG: Det anbefales at du bruker dette tilbehøret eller verktøyet sammen med Makita-maskinen som er spesifisert i denne håndboken. Bruk av annet tilbehør eller verktøy kan forårsake personskader. Tilbehør og verktøy må kun brukes til det formålet det er beregnet på.

Ta kontakt med ditt lokale Makita-servicesenter hvis du trenger mer informasjon om dette tilbehøret.

- Skjærebladenhet
- Fettbeholder
- Makita originalbatteri og lader

MERK: Enkelte artikler på listen kan være inkludert som standardtilbehør i produktpakken. Artiklene kan variere fra land til land.

TEKNISET TIEDOT

Malli:	EN402MP
Terän pituus	500 mm
Kokonaispituus	1444 mm
Nettopaino	2,4 kg

- Jatkuvasta tutkimus- ja kehitystyöstämme johtuen esitetyt tekniset tiedot saattavat muuttua ilman erillistä ilmoitusta.
- Tekniset tiedot voivat vaihdella maittain.

Hyväksytty tehollähde

Tämä laite on hyväksytty käytettäväksi vain seuraavien tehollähteiden kanssa:

- Akkukäyttöinen monitoimimoottoriyksikkö DUX60
- Akkukäyttöinen monitoimimoottoriyksikkö DUX18
- Akkukäyttöinen monitoimimoottoriyksikkö UX01G

VAROITUS: Älä koskaan liitä laitetta hyväksyttömään tehollähteeseen. Hyväksymätön yhdistelmä voi aiheuttaa vakavia vammoja.

Symbolit

Laitteessa on mahdollisesti käytetty seuraavia symboleja. Opettele niiden merkitys ennen käyttöä.



Lue käyttöopas ja noudata sen ohjeita.



VAARA – pidä kädet pois terän tieltä.



Varo sähköjohtoja. Sähköiskun vaara.



Käytä suojakypärää, suojalaseja ja kuulosuojaimia.



Käytä suojakäsineitä.



Käytä tukevia saappaita, joissa on luistamaton pohja.



Pidä sivulliset ja eläimet vähintään 15 metrin etäisyydellä sähkötyökaluista.



Pidä toiminta-alue vapaana ihmisistä ja lemmikeistä.



EU:n ulkona käytettävien laitteiden melupäästöjä koskevan direktiivin mukainen taattu äänitehotaso.



Australian Uuden Etelä-Walesin osavaltion melutasolainsäädännön mukainen äänitehotaso

Käyttötarkoitus

Tämä lisälaitte on tarkoitettu vain pensasaitojen trimmaukseen hyväksytyin tehollähteen kanssa. Älä koskaan käytä lisälaitetta mihinkään muuhun tarkoitukseen. Lisävarusteen väärinkäyttö voi aiheuttaa vakavia vammoja.

EY-vaatimustenmukaisuusvakuutus

Koskee vain Euroopan maita

Valmistaja: **Makita Europe N.V.**, osoite: **Jan-Baptist Vinkstraat 2 3070 Kortenberg BELGIUM**. valtuuttaa **Hiroshi Tsujimuran** laatimaan teknisen tiedoston ja vakuuttaa yksinomaisella vastuullaan, että seuraavat tuotteet:

Mallimäärittely: **Pensasleikkuri**. Tyyppimäärittely: **EN402MP**.

Täyttää kaikki direktiivin **2006/42/EY** sekä seuraavien EY/EU direktiivien olennaiset määräykset: **2000/14/EY** ja on valmistettu seuraavien harmonisointujen standardien mukaisesti: **EN62841-1:2015, EN 62841-4-2:2019, EN ISO 11806-1:2011**.

Vakuutuksen paikka ja päivämäärä: **Kortenberg, Belgia. 20. 12. 2022**

Vastuuhenkilö: **Hiroshi Tsujimura, Director – Makita Europe N.V.**

TURVAVAROITUKSET

Akkukäyttöisen varsipensasleikkurin turvallisuusohjeet

- Pidä kaikki kehon osat kaukana terästä. Älä poista leikattua aineista tai pidä leikattavasta materiaalista kiinni leikkuuterien liikkussa.** Terät jatkavat liikkumista senkin jälkeen, kun kytkin sammutetaan. Hetkellinenkin huolimattomuus pensasleikkurin käytön aikana voi aiheuttaa vakavan henkilövahingon.
- Kanna pensasleikkuria kahvasta siten, että terä on pysäytetty, ja älä käytä mitään virta-kytkintä.** Pensasleikkurin kantaminen oikein pienentää riskiä sen vahingossa käynnistymisestä ja henkilövahinkojen aiheutumisesta teristä.
- Aseta teräsuojus paikalleen aina pensasleikkurin kuljetuksen ja varastoinnin ajaksi.** Pensasleikkurin asianmukainen käsittely vähentää terien aiheuttamien henkilövahinkojen mahdollisuutta.
- Kun poistat kiinni jäänyttä leikkuumateriaalia tai huollat laitetta, varmista, että kaikki virta-kytkimet ovat sammutettuja ja että akkupaketti on irrotettu tai kytketty irti.** Pensasleikkurin odottamaton käynnistyminen kiinni jääneen leikkuumateriaalin poistamisen tai huollon yhteydessä voi saada aikaa vakavia henkilövahinkoja.
- Pidä pensasleikkurista kiinni vain sen eristetyistä tartuntapinnoista, sillä terä saattaa osua piilossa oleviin johtoihin.** Jos terä osuu jännitteelliseen johtoon, jännite voi siirtyä pensasleikkurin sähköä johtaviin metalliosiin ja aiheuttaa käyttäjälle sähköiskun.
- Pidä kaikki virtajohdot ja kaapelit poissa leikkualaueelta.** Virtajohdot tai kaapelit voivat jäädä oksien tai pensaiden alle näkymättömiin, jolloin terä voi vahingossa katkaista ne.
- Älä käytä pensasleikkuria huonossa säässä, varsinkaan ukkosella salamaniskun vaaran takia.** Näin voit pienentää salamaniskun riskiä.
- Sähköiskun riskin pienentämiseksi älä koskaan käytä varsipensasleikkuria korkeajännitelinjojen lähellä.** Kosketukset korkeajännitelinjoihin voivat aiheuttaa vakavia vammoja tai sähköiskuja ja kuoleman.
- Varsipensasleikkuria on aina käytettävä kahdella kädellä.** Pidä varsipensasleikkurista kiinni molemmilla käsillä, jotta et menetä sen hallintaa.
- Käytä aina päänsuojasta, kun käytät varsipensasleikkuria pääsi yläpuolella.** Lentävät irtoroskat voivat aiheuttaa vakavia vammoja.

Lisäturvallisuusohjeet

Valmistelu

- TÄMÄ PENSASLEIKKURI VOI AIHEUTTAA VAKAVIA VAMMOJA.** Lue ohjeet huolellisesti, jotta voit käsitellä, valmistella ja huoltaa työkalua oikein sekä käynnistää ja pysäyttää sen oikein. Perehdy työkalun säätimiin ja asianmukaiseen käyttöön.

- Tarkista ennen laitteen käytön aloittamista, ettei aidoissa tai pensaissa ole muuta kuin oksasto, kuten verkkoaitaa tai piilossa olevia johtoja.**
- Pensasleikkuria ei saa käyttää lasten tai alle 18-vuotiaiden nuorten toimesta.** Poikkeustapauksissa käyttö voidaan sallia myös kuusitoista vuotta täyttäneille, jos he opettelevat leikkurin käyttöä asiantuntevan aikuisen valvonnassa.
- Hätätilanteessa sammuta työkalu välittömästi ja irrota akkupaketti.**
- VAARA - Pidä kädet kaukana terästä.** Teräkosketus voi aiheuttaa vakavan henkilövahingon.
- Kokemattomien käyttäjien on hyvä pyytää neuvoja kokeneilta työkalun käyttöä koskien.**
- Tarkista ennen käytön aloittamista, onko työskentelyalueella lanka-aitoja, kiviä tai muita kiinteitä esineitä. Ne voivat vaurioittaa teriä.**
- Käytä pensasleikkuria vain, jos olet hyvässä fyysisessä kunnossa.** Huomiokyky heikkenee väsymyksen myötä. Noudata erityistä varovaisuutta työpäivän lopulla. Työskentele rauhallisesti ja varovaisesti. Käyttäjä on vastuussa ulkopuolisille aiheutuvista kaikista vahingoista.
- Varmista, että pensasleikkuri on asianmukaisesti toimintakunnossa ennen työskentelyn aloittamista.** Varmista, että suojukset ovat oikein paikoillaan. Pensasleikkuria ei saa käyttää, jos kaikki osat eivät ole paikallaan.
- Vältä vaarallisia ympäristöjä. Älä käytä työkalua kosteissa tai märissä paikoissa äläkä altista sitä satelle. Työkalun sisään päässyt vesi lisää sähköiskun vaaraa.**

Henkilösuojaimet

- Paksut nahkakäsineet ovat osa pensasleikkurin perusvarusteita ja niitä on käytettävä aina laitteen käytön aikana.** Käytä myös tukevia ja luistamattomilla pohjilla varustettuja jalkineita.
- Käytä kuulonsuojaimia kuulovaurioiden estämiseksi.**
- Suojaa itsesi lentäviltä irtoroskilta ja putoavilta esineiltä suojalaseilla, suojakypärällä ja suojakäsineillä.**
- Kun kosketat teriä tai säädät terän kulmaa, käytä suojakäsineitä.** Terät voivat leikata paljaita käsiä pahasti.

Käyttö

- Työkalua on käytettävä aina kahdella kädellä.** Yhdellä kädellä käyttäminen voi saada aikaan sen, että menetät työkalun hallinnan, mikä voi johtaa vakavaan henkilövahinkoon.
- Kun käytät työkalua, varmista aina, että alkuasento on turvallinen ja vakaa.** Työkalun kanssa kurkotteleminen, erityisesti tikkailla seisottaessa, on erittäin vaarallista. Älä käytä leikkuria epävakailta alustoilla.
- Älä pidä päälläsi samanaikaisesti useita lantiovoita tai olkaimia, kun käytät työkalua.**
- Kun käytät laitetta, älä anna sivullisten henkilöiden tai eläinten olla alle 15 m:n etäisyydellä työkalusta.** Sammuta työkalu heti, jos joku tulee tätä lähemmäs.

5. Jos leikkaustyökalu osuu johonkin esineeseen tai työkalu alkaa tehdä epätavallista ääntä tai tärästä kummallisesti, sammuta työkalu, poista akkupaketti heti ja anna työkalun pysähtyä. Tee sitten seuraavat toimet:
 - tarkasta vauriot
 - tarkasta ja kiristä löystyneet osat
 - vaihda vahingoittuneet osat tai korjaa ne käyttämällä aitoja varaosia.
 6. Käytä työkalua vain siihen tarkoitukseen, jota varten se on valmistettu. Älä käytä työkalua muihin tarkoituksiin.
 7. Kytke työkalu pois päältä ja irrota akkupaketti ennen seuraavia:
 - tukosten puhdistamista tai selvittämistä
 - työkalun tarkistamista, huoltamista tai käsittelemistä
 - leikkuuterien työskentelyasennon säätämistä
 - työkalun jättämistä valvomatta.
 8. Varmista, että työkalu on oikeassa työskentelyasennossa, ennen kuin käynnistät työkalun.
 9. Älä käytä työkalua, jos sen leikkuuterät ovat vaurioituneet tai erittäin kuluneet.
 10. Tarkista aina ympäristösi ja pysy valppaana mahdollisten sellaisten vaarojen varalta, joita et ehkä muuten huomaa työkalun äänen vuoksi.
 11. Huolehdi, ettet vahingossa osu metalliintaan tai muuhun kovaan esineeseen työskentelyn aikana. Muutoin terä rikkoontuu ja voi aiheuttaa vakavia vammoja.
 12. Estä tahaton käynnistyminen. Älä kannata työkalua siten, että akkupaketti on asennettu ja siten, että sormesi on kytkimellä. Varmista, että kytkin on sammutettu, kun asennat akkupakettia.
 13. Älä tartu käyttöön oleviin leikkausteriin tai leikkausreunoihin, kun nostat tai pitelet työkalua.
 14. Älä käytä tarpeetonta voimaa. Laite toimii tarkoituksenmukaisesti ja loukkaantumisvaara pienenee, kun laitetta käytetään sille suunnitellulla teholla.
 15. Älä käytä työkalua sateella, märissä tai muutoin kosteissa olosuhteissa. Sähkömoottori ei ole vesitiivis.
 16. Pidä laitteesta tukevasti kiinni sen käytön aikana.
 17. Älä käytä laitetta tarpeettomasti kuormittamattomana.
 18. Sammuta työkalu ja irrota akkupaketti aina, ennen kuin tarkistat leikkuuterät, korjaat vikoja tai poistat leikkuuteriin juuttuneita vieraita esineitä.
 19. Älä koskaan suuntaa leikkuuterää itseäsi tai sivullisia kohti.
 20. Jos terät lakkaavat liikkumasta, koska niiden väliin juuttuu vierasesine käytön aikana, sammuta laite, irrota sen akkupaketti ja poista sitten vierasesineet asianmukaisella työkalulla, kuten pindeillä. Vierasesineiden poistaminen käsin voi aiheuttaa henkilövahinkoja, koska terät voivat liikkua vierasesineiden poistamisen seurauksena.
 21. Varo loukkaamasta käsiäsi, kun kiinnität tai irrotat teräsuojusta.
- Sähköturvallisuus ja akku**
1. Vältä vaarallisia ympäristöjä. Älä käytä työkalua kosteissa tai märissä paikoissa äläkä altista sitä sateelle. Työkalun sisään päässyt vesi lisää sähköiskun vaaraa.
 2. Älä hävitä akkuja polttamalla. Akkukkenno voi räjähtää. Tarkista, onko paikallisissa määräyksissä erityisiä laitteita koskevia hävitysohjeita.
 3. Älä avaa tai riko akkuja. Akusta mahdollisesti vuotava elektrolyytti on syövyttävää ja saattaa vaurioittaa ihoa tai silmiä. Se saattaa olla myrkyllistä nieltynä.
 4. Älä lataa akkua sateessa tai kosteissa olosuhteissa.
 5. Älä lataa akkua ulkona.
 6. Älä käsittele laturia tai sen liitinosaa ja latausliittimiä märin käsin.
- Kunnossapito ja säilytys**
1. Kun työkalu sammutetaan huoltoa, tarkastusta tai säilytystä varten, sammuta työkalu ja poista sen akkupaketti. Varmista sitten, että kaikki liikkuvat osat ovat pysähtyneet. Anna työkalun jäähtyä, ennen kuin teet mitään tarkistuksia tai säätöjä tai vastaavia.
 2. Anna työkalun jäähtyä, ennen kuin siirrät sen varastoon.
 3. Kun et käytä laitetta, aseta teräsuoja työkalun ja säilytä sitä sisällä kuivassa ja korkeassa, lukitussa paikassa lasten ulottumattomissa.
 4. Huolla työkalua huolellisesti. Pidä leikkuureuna terävänä ja puhtaana työkalun suorituskyvyn pitämiseksi mahdollisimman hyvänä ja vahinkojen riskin pienentämiseksi. Noudata voitelu- ja lisävarusteiden vaihto-ohjeita. Pidä kahvat kuivina ja puhtaina öljystä ja rasvasta.
 5. Tarkista vaurioituneet osat. Ennen kuin jatkat työkalun käyttöä, tarkista vaurioitunut osa huolellisesti ja varmista, että se toimii oikein ja pystyy suorittamaan tehtävänsä. Varmista, että liikkuvat osat ovat oikeissa asennoissa ja pääsevät liikkumaan esteettä. Tarkasta myös osien eheys, kiinnitykset sekä muut toimintaan mahdollisesti vaikuttavat seikat. Suojus tai muu vaurioitunut osa tulee viedä valtuutettuun huolto- liikkeeseen korjattavaksi tai vaihdettavaksi.
 6. Käytä vain aitoja varaosia.
 7. Irrota akkupaketti ja aseta teräsuojus leikkuuterien päälle aina, kun työkalua siirretään toiseen paikkaan. Älä koskaan kannata työkalua tai siirrä sitä paikasta toiseen, kun terät ovat käynnissä. Älä koskaan tartu teriin käsin.
 8. Puhdista työkalu ja erityisesti leikkuuterä käytön jälkeen sekä silloin, kun viet työkalua pitkäksi aikaa säilytykseen. Öljyä leikkuuterät kevyesti ja aseta teräsuojus paikalleen.
 9. Älä hävitä akkua (akkuja) polttamalla. Akkukkenno voi räjähtää. Tarkista, onko paikallisissa määräyksissä erityisiä laitetta koskevia hävitysohjeita.
 10. Älä avaa tai riko akkua (akkuja). Akusta mahdollisesti vuotava elektrolyytti on syövyttävää ja saattaa vaurioittaa ihoa tai silmiä. Se saattaa olla myrkyllistä nieltynä.

11. Älä lataa akkua sateessa tai kosteissa olosuhteissa.

SÄILYTÄ NÄMÄ OHJEET.

VAROITUS: ÄLÄ anna työkalun helpokäytöisyyden (toistuvan käytön aikaansaama) johtaa sinua väärään turvallisuuden tunteeseen niin, että laiminlyöt työkalun turvaohjeiden noudattamisen. VÄÄRINKÄYTTÖ tai tässä käyttöohjeessa ilmoitettujen turvamääräysten laiminlyönti voi aiheuttaa vakavia henkilövahinkoja.

OSIEN KUVAUS

- **Kuva1:** 1. Teränsuojus 2. Kulman säätökahva
3. Kansi 4. Leikkuuterä 5. Liukuvipu
6. Etukahva

KOKOONPANO

VAROITUS: Sammuta moottori ja irrota akkupaketti ennen laitteen kokoamista ja säätämistä. Muuten laite saattaa käynnistyä vahingossa ja aiheuttaa tapaturman.

VAROITUS: Kun kokoat ja säädät laitetta, laita se aina maahan. Laitteiden kokoaminen tai säätäminen pystyasennossa voi aiheuttaa vakavia vammoja.

VAROITUS: Noudata luvun ”TURVAVAROITUKSET” ja tehohähteen käyttöoppaan varoituksia ja varotoimenpiteitä.

Lisälaitteen kokoaminen

1. Poista lisälaitteen suojuus.
► **Kuva2:** 1. Suojus
2. Aseta putki lisälaitteeseen niin, että putken reikä on lisälaitteen reiän kohdalla. Kiristä ensin lyhyt pultti kunnolla ja kiinnitä sitten putki kiristämällä pitkä pultti.
► **Kuva3:** 1. Reikä 2. Putki 3. Pultti (lyhyt) 4. Pultti (pitkä)

HUOMAA: Kiristä pultit tiukkuuteen 4,0–6,0 N•m.

Työkalun putken asentaminen

HUOMIO: Tarkista aina asennuksen jälkeen, että lisälaitteputki on kiinni. Virheellinen asennus voi johtaa laitteen irtoamiseen tehoyksiköstä ja aiheuttaa henkilövahinkoja.

Työkalun putken kiinnittäminen voimanlähteeseen.

1. Irrota putken päässä oleva kansi.
► **Kuva4:** 1. Putki 2. Kansi

HUOMAUTUS: Älä hävitä kantta, koska niitä tarvitaan lisälaitteen varastointiin.

2. Käännä vipua laitetta kohti.
► **Kuva5:** 1. Vipua

3. Kohdista tappi nuolimerkkiin tehoyksikössä. Työnnä putkea, kunnes vapautuspainike ponnahtaa ylös.

Varmista, että asentoviiva on tehoyksikön nuolimerkin kärjen kohdalla ja että tehoyksikön nuolimerkki ja putken nuolimerkki ovat vastakkain.

► **Kuva6:** 1. Vapautuspainike 2. Tehoyksikön nuolimerkki 3. Tappi 4. Sijaintiliinja 5. Putken nuolimerkki

4. Käännä vipua moottoriyksikköä kohti.
► **Kuva7:** 1. Vipua

Varmista, että vivun pinta on putken suuntainen.

HUOMAUTUS: Älä kiristä vipua, jos lisälaitteputki ei ole paikallaan. Vipua voi tällöin kiristää käyttökäkelin suuaukkoa liikaa ja vahingoittaa sitä.

Poista putki kääntämällä vipua lisälaitetta kohti ja vedä putkea ulos painamalla samalla vapautuspainiketta.

► **Kuva8:** 1. Vapautuspainike 2. Vipua 3. Putki

Leikkuuterän kiinnittäminen ja irrottaminen

HUOMIO: Leikkuuterän vaihtamisen aikana tulee aina käyttää käsineitä, jotta terä ei pääse kosketuksiin paljaiden käsien kanssa.

HUOMIO: Kiinnitä teräsuojus paikalleen ennen leikkuuterien irrottamista tai asentamista.

HUOMAUTUS: Älä pyyhi rasvaa pois kammasta, kun vaihdat leikkuuteriä.

HUOMAA: Taita laite auki ennen leikkuuterien asentamista tai irrottamista niin, että lisälaitte on putken suuntainen.

1. Aseta teräsuojus paikalleen leikkuuteriin.
► **Kuva9:** 1. Teränsuojus
2. Aseta lisälaitte ylösalaisin.
3. Irrota 4 pulttia kuusioavaimella ja irrota suojuus ja levy (suuri).
► **Kuva10:** 1. Pultti 2. Suoja 3. Levy (suuri)
4. Kierrä kampea ristipääruuvitalalla niin, että kampi on kuvan mukaisessa suunnassa.
► **Kuva11:** 1. Kampi
5. Irrota 2 pulttia.
► **Kuva12:** 1. Pultti
6. Irrota huopatyyppi (lyhyt), huopatyyppi (pitkä), levy (pieni) ja holkki.
► **Kuva13:** 1. Huopatyyppi (lyhyt) 2. Huopatyyppi (pitkä) 3. Levy (pieni) 4. Holkki
7. Irrota leikkuuterät lisälaitteesta.
► **Kuva14**
8. Irrota teräsuojus ja liitä se sitten uusiin leikkuuteriin.
9. Irrota pölysuoja leikkuuteristä ja kiinnitä se sitten uusiin leikkuuteriin kuvan mukaiseen asentoon.
► **Kuva15:** 1. Pölysuoja

10. Aseta vaiheessa 5 irrotettu pultti leikkuuterien reikään teräsuojuksessa olevan reiän kautta.

► **Kuva16:** 1. Reikä 2. Pultti

11. Levitä pieni määrä rasvaa kammen reunaan. Kiinnitä leikkuuterät lisälaitteeseen.

► **Kuva17**

12. Kiinnitä holkit ja levy (pieni) leikkuuteriin ja kiristä sitten pultti.

► **Kuva18:** 1. Pultti 2. Levy (pieni) 3. Holkki

13. Irrota vaiheessa 10 leikkuuterien reikään kiinnitetty pultti ja kiinnitä sitten leikkuuterät kiristämällä se.

14. Kiinnitä huopatyyppi (lyhyt) ja huopatyyppi (pitkä).

► **Kuva19:** 1. Huopatyyppi (lyhyt) 2. Huopatyyppi (pitkä)

15. Kiinnitä levy (suuri) ja suojuus ja kiristä sitten 4 pulttia.

► **Kuva20:** 1. Pultti 2. Suoja 3. Levy (suuri)

HUOMAUTUS: Jos leikkuuterät eivät toimi oikein, terät eivät ole kytkeyntyneet kampeen oikealla tavalla. Irrota terät ja asenna ne uudelleen.

HUOMAUTUS: Jos leikkuuterien lisäksi muut osat, kuten kampi, kuluvat, kysy varaosia tai huoltopalveluja valtuutetusta Makita-huoltoliikkeestä.

TOIMINTOJEN KUVAUS

HUOMIO: Varmista aina ennen säätöjä ja tarkastuksia, että työkalu on sammutettu ja akkupaketti irrotettu.

Sahauskulman säätäminen

HUOMIO: Varmista aina, että työkalu on sammutettu, ennen kuin säädät leikkauskulmaa.

Kärkiosan kulmaa voidaan säätää 13 portaassa. Voit muuttaa kärkiosan kulmaa noudattamalla alla olevia vaihteita.

1. Pidä kiinni kulman säätökahvasta ja säädä kärkiosan kulmaa samalla, kun vedät liukuvipua. Vapautu sitten liukuvipua.

► **Kuva21:** 1. Liukuvipua 2. Kulman säätökahva

2. Siirrä kärkiosaa hieman, kunnes se lukittuu napsautuksella.

HUOMAA: Varmista, että kärkiosa on tiukasti paikallaan, ennen kuin käytät työkalua.

TYÖSKENTELY

VAROITUS: Noudata luvun ”TURVAVAROITUKSET” ja teholähteen käyttöoppaan varoituksia ja varotoimenpiteitä.

Työkalun käyttäminen

VAROITUS: Älä käytä työkalua korkeajännitelinjoihin lähetyillä. Kosketukset korkeajännitelinjoihin tai työkalun käyttäminen korkeajännitelinjoihin lähellä voi aiheuttaa vakavia vammoja tai sähköiskuja ja kuoleman.

VAROITUS: Pidä kädet poissa leikkuuterän ulottuvilta.

VAROITUS: Huolehdi aina, että työkalu pysyy hallinnassasi. Älä anna työkalun ohjautua itseäsi tai muita lähetyillä olevia ihmisiä kohti. Työkalun hallinnan menettäminen voi aiheuttaa vakavia vammoja sivullisille tai työkalun käyttäjille.

HUOMIO: Vältä laitteen käyttämistä erittäin kuumissa sääolosuhteissa. Vältä yllirasittumista, kun käytät laitetta.

HUOMIO: Huolehdi, että leikkurin terä ei osu metalliaitaan tai muuhun kovaan esineeseen työskentelyn aikana. Muutoin leikkuuterä voi rikkoontua ja aiheuttaa vammoja.

HUOMIO: Älä anna leikkuuterien koskettaa maata laitteen käytön aikana. Laite voi aiheuttaa takaiskun ja aiheuttaa tapaturmia.

HUOMIO: Pensasleikkurin kanssa kurkottelemisen, erityisesti tikkailla seisottaessa on erittäin vaarallista. Älä käytä leikkuria epävakailta alustoilla.

HUOMAUTUS: Älä leikkaa tällä leikkurilla halkaisijaltaan yli 10 mm:n oksia. Leikkaa oksat oksaksilla 10 cm alemmaksi kuin itse leikkuukorkeus ennen tämän työkalun käyttämistä.

► **Kuva22:** (1) Leikkuukorkeus (2) 10 cm

HUOMAUTUS: Älä leikkaa kuolleita puita tai mitään vastaavia kovia kohteita. Muussa tapauksessa laite voi vaurioitua.

HUOMAUTUS: Älä leikkaa nurmikkoa tai rikkaruohoa leikkuuterällä. Ruoho tai rikkaruohot voivat takertua leikkuuterään.

Pidä työkalusta kiinni molemmin käsin tehoyksikön tai lisälaitteen etukahvasta ja tehoyksikön takakahvasta.

► **Kuva23:** 1. Etukahva 2. Takakahva

Vedä liipaisinkytkimestä samalla, kun painat lukituksen vapautusvipua, ja siirrä sitten työkalua eteenpäin.

► **Kuva24**

Perustasoitus tapahtuu siten, että leikkuuterää kallis-tetaan leikkusuuntaan samalla, kun terää liikutetaan rauhallisesti ja hitaasti eteenpäin nopeudella 3–4 sekuntia/metri.

► **Kuva25**

Leikkaa pensaen sivut tasaisiksi aloittamalla alhaalta ylöspäin.

► **Kuva26**

Leikkattaessa pyöreitä muotoja (puksipuu tai alppiruuus jne.), leikkaa juuresta ylöspäin kauniin lopputuloksen saavuttamiseksi.

► **Kuva27**

KUNNOSSAPITO

VAROITUS: Sammuta moottori ja irrota akkupaketti ennen laitteen tarkistamista ja huoltamista. Muuten laite saattaa käynnistyä vahingossa ja aiheuttaa vakavan tapaturman.

VAROITUS: Kun tarkastat tai huollat laitetta, laita se aina maahan. Laitteiden kokoaminen tai säätäminen pystyasennossa voi aiheuttaa vakavia vammoja.

VAROITUS: Noudata luvun ”TURVAVAROITUKSET” ja teholahteen käyttöoppaan varoituksia ja varoimenpiteitä.

HUOMIO: Käytä käsineitä tarkastuksen ja huollon aikana.

HUOMAUTUS: Älä koskaan käytä bensiiniä, ohenteita, alkoholia tai tms. aineita. Muutoin pinta voi halkeilla tai sen värit ja muoto voivat muuttua. Muutoin laitteeseen voi tulla värjäytyimiä, muodon vääristymiä tai halkeamia.

Tuotteen TURVALLISUUDEN ja LUOTETTAVUUDEN takaamiseksi korjaukset, muut huoltotyöt ja säädöt on teetettävä Makitan valtuutetussa huoltopisteessä Makitan varaosia käyttäen.

Laitteen puhdistaminen

Puhdista laite pyyhkimällä pölyt kuivalla liinalla tai kostuta liina saippuaveteen ja rutista kuivaksi.

HUOMAUTUS: Älä koskaan käytä bensiiniä, ohenteita, alkoholia tai tms. aineita. Muutoin pinta voi halkeilla tai sen värit ja muoto voivat muuttua. Muutoin laitteeseen voi tulla värjäytyimiä, muodon vääristymiä tai halkeamia.

Leikkuuterän huolto

Lisää ennen käyttöä ja käytön aikana tunnin välein matalaviskositeettista öljyä (koneöljyä tai suihkutettavaa voiteluöljyä) leikkuuterään.

► **Kuva28**

Puhdista käytön jälkeen leikkuuterän molemmat puolet pölystä metalliharjalla, pyyhi leikkuuterä rievulla ja levitä terään sitten matalaviskositeettista öljyä (koneöljyä tai suihkutettavaa voiteluöljyä).

► **Kuva29**

HUOMAUTUS: Älä pese leikkuuterää vedellä. Se voi aiheuttaa ruostumista tai vaurioittaa laitetta.

HUOMAUTUS: Lika ja korroosio aiheuttavat terien liikkakäytävien ja lyhentävät käyttöaika jokaisen akun latauksen yhteydessä.

Säilytys

Käytä teräsuojusta, jotta leikkuuterät eivät ole paljaana. Säilytä laitetta lasten ulottumattomissa. Säilytä laitetta paikassa, missä se ei altistu kosteudelle tai sateelle. Kun säilytät lisälaitetta erillään tehoyksiköstä, laita suojus putken päähän.

► **Kuva30**

Liikkuvien osien voitelu

HUOMAUTUS: Noudata mukana toimitettujen ohjeiden määrittelemiä aikavälejä ja voiteluainemääriä. Muuten riittämätön voitelu voi vaurioittaa liikkuvia osia.

Käyttöäkseli:

Lisää voitelurasvaa (Makita-rasva N No.2 tai vastaava) 30 käyttötunnin välein.

► **Kuva31**

HUOMAA: Voit hankkia aitoa Makita-rasvaa omalta Makita-jälleenmyyjältäsi.

Voitelurasvan lisääminen

Voiteluväli: 25 käyttötuntia

1. Irrota pultti reiästä voitelua varten.
► **Kuva32:** 1. Pultti
2. Irrota suojus rasva-annostelijasta. Kohdista rasva-annostelijan ulkonema kannen reikään ja käännä sitten rasva-annostelijaa niin, että sen ulkonema kiinnittyy reikään.
► **Kuva33:** 1. Rasva-annostelija 2. Reikä
3. Lisää laitteeseen rasvaa (ohjearvoisesti noin 3 g).
4. Irrota rasva-annostelija.
5. Kiristä pultti.

Leikkuuterän teroittaminen

HUOMAUTUS: Jos teroittaminen vääntää leikkuuterän teriä huomattavasti, vaihda leikkuuterä uuteen.

1. Kiinnitä akkupaketti laitteeseen.
2. Käynnistä laite ja käytä sitä sen verran, että leikkuuterän ylä- ja alaterät asettuvat limittäin.
► **Kuva34**
3. Sammuta laite ja irrota akkupaketti.
4. Aseta viila 45°:n kulmaan ja teroita yläterä viilalla 3 suunnasta.
► **Kuva35:** (1) Viila (2) 45°

HUOMIO: Varmista ennen leikkuuterän teroittamista, että laite on sammutettu ja akkupaketti on irrotettu siitä.

5. Käännä työkalu ylösalaisin ja irrota sitten leikkuuterän jäysteet oikaisukivellä.
► **Kuva36:** 1. Oikaisukivi
6. Aseta viila 45°:n kulmaan ja teroita alaterä viilalla 3 suunnasta.
7. Käännä työkalu takaisin normaaliasentoon ja irrota sitten leikkuuterän jäysteet oikaisukivellä.

VIANMÄÄRITYS

Tarkista laite ensin itse, ennen kuin viet sen korjattavaksi. Jos ongelmaan ei löydy ratkaisua käyttöoppaasta, älä kuitenkaan yritä purkaa työkalua osiin. Ota sen sijaan yhteyttä Makita-huoltoliikkeeseen. Käytä korjaamiseen aina alkuperäisiä Makita-varaosia.

Epänormaali tila	Todennäköinen syy (toimintahäiriö)	Korjaus
Moottori ei käynnisty.	-	Lisätietoja teholahteen käyttöoppaasta.
Moottori sammuu pian.	-	Lisätietoja teholahteen käyttöoppaasta.
Moottorin nopeus ei kasva.	-	Lisätietoja teholahteen käyttöoppaasta.
Leikkuuterät eivät liiku: ⇒ pysäytä kone välittömästi!	Vieraita esineitä on tarttunut leikkuuterien väliin. Vetojärjestelmä ei toimi oikein.	Kytke työkalu pois päältä, irrota akkupaketti ja irrota sitten vieraat esineet pihdeillä tai muilla työkaluilla. Pyydä valtuutettua huoltoliikettäsi korjaamaan laite.
Epänormaali tärinä: ⇒ pysäytä kone välittömästi!	Leikkuuterät ovat rikkinäisiä, taipuneita tai kuluneita. Vetojärjestelmä ei toimi oikein.	Vaihda leikkuuterät. Pyydä valtuutettua huoltoliikettäsi korjaamaan laite.
Leikkuuterät ja moottori eivät pysähdy: ⇒ Poista akku välittömästi!	Sähkövika.	Poista akku ja pyydä valtuutettua huoltoliikettäsi korjaamaan laite.

LISÄVARUSTEET

⚠HUOMIO: Seuraavia lisävarusteita tai -laitteita suositellaan käytettäväksi tässä ohjeessa kuvattun Makita-koneen kanssa. Muiden lisävarusteiden tai -laitteiden käyttö voi aiheuttaa henkilövahinkoja. Käytä lisävarusteita ja -laitteita vain niiden käyttötaroituksen mukaisesti.

Jos tarvitset apua tai yksityiskohtaisempia tietoja seuraavista lisävarusteista, ota yhteys paikalliseen Makitan huoltoon.

- Leikkuuteräkokonaisuus
- Rasva-annostelija
- Aito Makita-akku ja -laturi

HUOMAA: Jotkin luettelossa mainitut varusteet voivat sisältyä laitetoimitukseen vakiovarusteina. Ne voivat vaihdella maittain.

SPECIFIKĀCIJAS

Modelis:	EN402MP
Asmens garums	500 mm
Kopējais garums	1444 mm
Tīrsvars	2,4 kg

- Nepārtrauktās izpētes un izstrādes programmas dēļ šeit uzrādītās specifikācijas var tikt mainītas bez brīdinājuma.
- Atkarībā no valsts specifikācijas var atšķirties.

Apstiprinātais piedziņas bloks

Šī papildierīce ir apstiprināta lietošanai tikai ar šādiem piedziņas blokiem:

- Bezvada daudzfunkciju instrumentgalva DUX60
- Bezvada daudzfunkciju instrumentgalva DUX18
- Bezvada daudzfunkciju instrumentgalva UX01G

BRĪDINĀJUMS: Nekad nelietojiet papildierīci kopā ar neapstiprinātu piedziņas bloku. Nepareiza kombinācija var izraisīt smagu traumu.

Simboli

Tālāk ir attēloti simboli, kas var attiekties uz darbarīka lietošanu. Pirms darbarīka izmantošanas pārliecinieties, vai pareizi izprotat to nozīmi.



Izlasiet un ievērojiet lietošanas rokasgrāmatas informāciju.



BĪSTAMI! Netuviniet rokas asmenim.



Sargieties no elektropārvades līnijām. Elektrotraumas rašanās bīstamība.



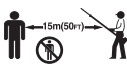
Izmantojiet aizsargķiveri, aizsargbrilles un ausu aizsargus.



Lietojiet aizsargcimdus.



Valkājiet izturīgus apavus ar neslīdošām zolēm.



Nodrošiniet, lai cilvēki vai dzīvnieki neatrastos tuvāk par 15 m no mehanizētā darbarīka.



Nelaujiet darba vietā atrasties cilvēkiem un mājdzīvniekiem.



Garantētais skaņas jaudas līmenis saskaņā ar ES Direktīvu par troksni ārpus telpām.



Skaņas jaudas līmenis saskaņā ar Austrālijas NSW trokšņu kontroles noteikumiem

Paredzētā lietošana

Šī papildierīce paredzēta tikai dzīvzogu apgriešanai, kad tā pievienota apstiprinātam piedziņas blokam. Nekad neizmantojiet papildierīci citiem mērķiem. Nepareizi izmantojot papildierīci, var gūt smagas traumas.

EK atbilstības deklarācija

Tikai Eiropas valstīm

Mēs – ražotāji: „**Makita Europe N.V.**”, darījumbatības adrese: **Jan-Baptist Vinkstraat 2 3070 Kortenberg BELĢIJA**. Pilnvarojam **Hiroshi Tsujimura (Hiroši Cudžimuru)** sagatavot tehnisko dokumentāciju un ar pilnu atbildību paziņojam, ka izstrādājums(-i); Apzīmējums: **Dzīvzoga griezēja papildierīce**. Modeļa(-u) nosaukums: **EN402MP**. Atbilst attiecīgajiem Direktīvas **2006/42/EK** noteikumiem, kā arī attiecīgajiem šādu EK/ES direktīvu noteikumiem: Direktīva **2000/14/EK**, un ir izgatavoti saskaņā ar šādiem saskaņotajiem standartiem: **EN62841-1:2015, EN 62841-4-2:2019, EN ISO 11806-1:2011**. Paziņojuma vieta un datums: **Kortnerga, Beļģija. 20. 12. 2022**
Atbildīgā persona: **Hiroshi Tsujimura (Hiroši Cudžimura), Makita Europe N.V. vadītājs.**

DROŠĪBAS BRĪDINĀJUMI

Drošības noteikumi bezvadu dzīvzoga griezēja ar kātu lietošanai

1. **Visas ķermeņa daļas turiet pēc iespējas tālāk no asmens.** Kad asmeņi kustas, neņemiet nogrieztu materiālu un neturiet griezamo materiālu. Asmeņi turpina kustēties arī pēc slēdža izslēgšanas. Dzīvzoga griezēja lietošanas laikā īss neuzmanības brīdis var izraisīt nopietnus savainojumus.
2. **Pārnēsājiet dzīvzoga griezēju aiz roktura un ar apturētu asmeni, raugoties, lai netiktu nospiests ieslēgšanas/izslēgšanas slēdzis.** Pareiza dzīvzoga griezēja pārnēsāšana samazinās nejaušas ieslēgšanas un tās izraisītu savainojumu risku.
3. **Transportējot vai glabājot dzīvzoga griezēju, vienmēr uzlieciet asmens apvalku.** Pareiza dzīvzoga griezēja izmantošana mazinās asmens izraisītu traumu risku.
4. **Tirot iestrēgušus materiālus vai apkopjot ierīci, raugieties, lai visi slēdži būtu izslēgti un akumulatora kasetne izņemta vai atvienota.** Negaidīta dzīvzoga griezēja iedarbošanās apkopes vai iestrēgušu materiālu tīrīšanas laikā var izraisīt nopietnus savainojumus.
5. **Turiet dzīvzoga griezēju tikai pie izolētajām satveršanas virsmām, jo asmens var saskarties ar apslēptu elektroinstalāciju.** Asmeņim saskaroties ar vadu, kurā ir spriegums, dzīvzoga griezēja ārējās metāla virsmas var vadīt strāvu un radīt lietotājam elektrotraumu.
6. **Turiet visus strāvas vadus un kabelus atstatus no griešanas zonas.** Krūmos vai dzīvzogus var būt paslēpti vadi, kurus var netīšām pārgriezt ar asmeni.
7. **Neizmantojiet dzīvzoga griezēju sliktos laikapstākļos, jo īpaši laikā, kad iespējams zibens.** Tādējādi samazinās zibens trieciena risks.
8. **Lai samazinātu elektrotraumas risku, nelietojiet dzīvzoga griezēju ar kātu elektrības vadu tuvumā.** Lietošana elektroliņņas tuvumā vai saskarē ar to var izraisīt nopietnu savainojumu risku vai nāvi elektrotraumas rezultātā.
9. **Strādājot ar dzīvzoga griezēju ar kātu, vienmēr turiet to ar abām rokām.** Turiet dzīvzoga griezēju ar abām rokām, lai nezaudētu kontroli pār to.
10. **Strādājot ar dzīvzoga griezēju ar kātu, vienmēr izmantojiet galvas aizsardzības līdzekļus.** Krītošas atlūzas var izraisīt nopietnus savainojumus.
2. **Pirms darbarīka lietošanas pārbaudiet, vai dzīvzogā vai krūmos neatrodas traucējoši priekšmeti, piemēram, stiepļu žogs vai vadi.**
3. **Dzīvzoga apgriezējmašīnu nedrīkst izmantot bērni vai jaunieši, kas jaunāki par 18 gadiem.** Jauniešus, kam ir vairāk par 16 gadiem, var neiekļaut šajā ierobežojumā, ja tie saņem apmācību speciālista uzraudzībā.
4. **Avārijas situācijā nekavējoties izslēdziet darbarīku un izņemiet akumulatora kasetni.**
5. **BĪSTAMI - Netuviniet rokas asmeņim.** Saskaroties ar asmeni, varat gūt smagas traumas.
6. **Pirmajā lietošanas reizē lietotājiem ir jāpieaicina pieredzējis lietotājs, kas parādītu, kā darbarīks ir jālieto.**
7. **Pirms darba sākšanas pārbaudiet, vai darba vietā nav stiepļu žogu, akmeņu vai citu cietu priekšmetu.** Šādi priekšmeti var sabojāt asmeņus.
8. **Dzīvzoga apgriezējmašīnu lietojiet tikai, ja esat labā fiziskajā stāvoklī.** Ja esat noguris, jūsu uzmanība būs samazināta. Īpaši uzmanīgi esiet darba dienas beigās. Visus darbus veiciet mierīgi un uzmanīgi. Lietotājs ir atbildīgs par visiem bojājumiem trešajai pusei.
9. **Pirms darba uzsākšanas pārbaudiet, lai pārliecinātos, ka apgriezējmašīna ir labā un drošā darba kārtībā.** Nodrošiniet, lai aizsargi ir uzstādīti atbilstoši. Ja dzīvzoga apgriezējmašīna nav pilnībā salikta, to nedrīkst lietot.
10. **Izvairoties no bīstamas vides.** Darbarīku neizmantojiet mitrās vai slapjās vietās un lietu. Ja darbarīkā iekļūš ūdens, palielināsies elektrotraumas rašanās draudi.

Individuālās aizsardzības līdzekļi

1. **Dzīvzoga apgriezējmašīnas pamata aprīkojumā ir ietverti izturīgas ādas darba cimdi, un darbarīka lietošanas laikā tie vienmēr ir jāvalkā.** Uzvelciet arī stingrus apavus ar neslīdošu zoli.
2. **Lai novērstu dzirdes bojājumus, lietojiet dzirdes aizsarglīdzekļus, piemēram, aizsargausiņas.**
3. **Lietojiet aizsargķiveri, aizsargbrilles un aizsargcimdus, lai sevi pasargātu no lidojošiem zariem vai krītošiem priekšmetiem.**
4. **Pieskaroties asmeņim vai pielāgojot asmens lenķi, vienmēr lietojiet aizsargcimdus.** Asmeņi var smagi sagriezt kailas rokas.

Ekspluatācija

1. **Ekspluatācijas laikā obligāti turiet darbarīku ar abām rokām.** Darbināšana ar vienu roku var jums likt zaudēt kontroli un izraisīt nopietnus savainojumus.
2. **Darbinot darbarīku, vienmēr pārliecinieties, ka darba pozīcija ir droša.** Stiepšanās ar darbarīku pārāk tālu, it īpaši no kāpnēm, ir ļoti bīstama. Neveiciet darbu, stāviet uz objektiem, kas ir nestabili vai ļodzīgi.
3. **Darbinot darbarīku, nelietojiet vienlaikus vairākas jostas vai plecu siksnas.**
4. **Izmantošanas laikā nodrošiniet, lai cilvēki vai dzīvnieki neatrosts tuvāk par 15 m no darbarīka.** Izslēdziet darbarīku, tiklīdz kāds tuvojās.
5. **Ja darbarīks trāpa pa kādu objektu vai sāk radīt neparastus trokšņus vai vibrācijas, nekavējoties izslēdziet darbarīku, izņemiet akumulatora kasetni un ļaujiet darbarīkam apstāties. Tad veiciet šādas darbības:**

Papildu drošības norādījumi

Sagatavošanās

1. **ŠIS DZĪVZOGA GRIEZĒJS VAR IZRAISĪT NOPIETNUS SAVAINOJUMUS.** Uzmanīgi izlasiet pareizas darbarīka lietošanas, sagatavošanas, apkopes, ieslēgšanas un izslēgšanas norādījumus. Izprietiet darbarīka vadības funkcijas un pareizas izmantošanas instrukcijas.

- pārbaudiet, vai nav bojājumu;
 - pārbaudiet, vai nav vaļīgu daļu, un, ja ir, pievelciet tās;
 - bojātās daļas salabojiet vai aizstājiet ar oriģinālajām rezerves daļām.
6. Izmantojiet darbarīku tikai tam paredzētajam nolūkam. Neizmantojiet darbarīku citiem mērķiem.
 7. Izslēdziet darbarīku un izņemiet akumulatora kasetni šādos gadījumos:
 - tīrot vai atbrīvojot nosprostojumus;
 - pārbaudot, pārnēsājot vai apkopjot darbarīku;
 - pielāgojot šķēru asmeņu darba pozīciju;
 - atstājot darbarīku bez uzraudzības.
 8. Pirms darbarīka iedarbināšanas pārliecinieties, ka tas ir pareizi novietots darba vietā.
 9. Nedarbiniet darbarīku ar bojātiem vai pārlietu nodilušiem šķēru asmeņiem.
 10. Vienmēr pārbaudiet apkārtni un piesargieties no iespējamiem apdraudējumiem, kurus varat nepamanīt darbarīka trokšņa dēļ.
 11. Darbības laikā uzmanieties, lai nejauši nesaikartos ar metāla sētu vai citiem cietiem priekšmetiem. Asmens var salūzt un radīt nopietnus savainojumus.
 12. Izvairieties no nejausas ieslēgšanas. Nepārnēsājiet darbarīku ar uzstādītu akumulatora kasetni vai ar pirkstu uz slēdža. Uzstādot akumulatora kasetni, pārliecinieties, ka slēdzis ir izslēgts.
 13. Paceļot vai turot darbarīku, nesatveriet to aiz griešanas asmeņiem vai griežmalām.
 14. Nelietojiet darbarīku ar spēku. Darbs veiksies labāk un ar mazāku traumu bīstamību, ja ierīci izmantosit paredzētajā ātrumā.
 15. Nelietojiet darbarīku lietus laikā vai mitros un slapjos apstākļos. Elektromotors nav ūdensizturīgs.
 16. Darba laikā stingri turiet darbarīku.
 17. Lieki nedarbiniet darbarīku bez slodzes.
 18. Pirms šķēru asmeņu pārbaudīšanas, kļūmju novēršanas vai asmeņu iesprūdušo materiālu izņemšanas vienmēr izslēdziet darbarīku un izņemiet akumulatora kasetni.
 19. Nekādā gadījumā nevērsiet šķēru asmeņus pret sevi vai citiem.
 20. Ja asmeņi apstājas, jo ekspluatācijas laikā starp asmeņiem iesprūduši svešķermeņi, izslēdziet darbarīku un izņemiet akumulatora kasetni, tad, izmantojot instrumentus, piemēram, knaibles, izņemiet svešķermeņus. Iespējams savainoties, izņemot svešķermeņus ar roku, jo izņemšanas laikā asmeņu darbība var izraisīt asmeņu kustēšanos.
 21. Uzstādot un noņemot asmens aizsargu, uzmanieties, lai nesavainotu rokas.

Elektrodrošība un akumulatora drošība

1. Izvairieties no bīstamas vides. Neizmantojiet darbarīku mitrās vai slapjās vietās un lietū. Ja darbarīkā iekļūst ūdens, palielinās elektriskās strāvas trieciena risks.

2. Neatbrīvojieties no akumulatora(-iem), to(-s) dedzinot. Var rasties eksplozija. Skatiet attiecīgos valsts noteikumus, lai uzzinātu īpašus norādījumus izmešanai atkritumos.
3. Akumulatoru(-s) nedrīkst atvērt vai sabojāt. Iztecējušais elektrolīts ir kodīgs un var nodarīt kaitējumu acīm vai ādai. Norijot tas var būt toksisks.
4. Nelādējiet akumulatoru lietū vai mitrās vietās.
5. Nelādējiet akumulatoru ārpus telpām.
6. Neaiztieciet lādētāju, kā arī lādētāja spraudni vai spaiļes ar slapjām rokām.

Apkope un glabāšana

1. Kad darbarīks ir apturēts apkopei, apskatei vai glabāšanai, izslēdziet darbarīku, izņemiet akumulatora kasetni un pārliecinieties, ka visas kustīgās daļas ir apturētas. Pirms apskates, apkopes vai pielāgošanas ļaujiet darbarīkam atdzist.
2. Ļaujiet darbarīkam atdzist arī pirms tā novietošanas glabāšanā.
3. Kad darbarīks netiek izmantots, uzlieciet asmens aizsargu un glabājiet to iekštelpās, sausā un aizslēgtā vietā, kur nevar piekļūt bērni.
4. Apkopiet darbarīku rūpīgi. Uzturiet griežmalas asas un tīras, lai darbarīks darbotos vislabāk un lai samazinātu savainojumu risku. Ievērojiet eļļošanas un piederumu maiņas norādījumus. Gādājiet, lai rokturi būtu sausi, tīri un uz tiem nebūtu eļļas un smērvielas.
5. Pārbaudiet bojātās detaļas. Pirms darbarīka turpmākās lietošanas jebkura bojātā detaļa rūpīgi jāpārbauda, lai pārliecinātos, ka tā darbosies pareizi un pildīs paredzēto funkciju. Pārbaudiet, vai kustīgās daļas ir pareizi savīzītas, brīvi kustas, nav salūzušas; pārbaudiet to stiprinājumus un citus apstākļus, kas var ietekmēt putekļsūcēja darbību. Bojāts aizsargs vai citas daļas pienācīgi jāsaņemontē vai jānomaina pilnvarotā apkopes centrā.
6. Izmantojiet tikai oriģinālās rezerves daļas.
7. Pārvietojot darbarīku, tostarp darba laikā, vienmēr izņemiet akumulatora kasetni un uzlieciet asmens aizsargu uz šķēru asmeņiem. Nekad nenesiet un nepārvietojiet darbarīku, kamēr asmeņi kustas. Asmeņi nekad nedrīkst satvert ar rokām.
8. Pēc darbarīka lietošanas un pirms novietošanas glabāšanā uz ilgāku laiku vienmēr iztīriet to, it īpaši šķēru asmeņus. Nedaudz ieeļļojiet šķēru asmeņus un uzlieciet apvalku.
9. Nemetiet akumulatoru ugunī. Elements var sprāgt. Skatiet attiecīgos valsts noteikumus, lai uzzinātu īpašus norādījumus izmešanai atkritumos.
10. Akumulatorus nedrīkst atvērt vai sabojāt. Iztecējušais elektrolīts ir kodīgs un var nodarīt kaitējumu acīm vai ādai. Norijot tas var būt toksisks.
11. Nelādējiet akumulatoru lietū vai mitrās vietās.

SAGLABĀJIET ŠOS NORĀDĪJUMUS.

▲BRĪDINĀJUMS: NEPIEĻAUJIET to, ka labu iemaņu vai izstrādājuma labas pārzināšanas (darbarīku atkārtoti ekspluatējot) rezultātā vairs stingri neievērojat šī izstrādājuma drošības noteikumus. NEPAREIZI LIETOJOT darbarīku vai neievērojot šajā instrukcijā rokasgrāmatā minētos drošības noteikumus, var tikt gūtas smagas traumas.

DETAĻU APRAKSTS

► **Att.1:** 1. Asmeņu apvalks 2. Leņķa regulēšanas rokturis 3. Uzmava 4. Šķēru asmeņi 5. Slīdes svira 6. Priekšējais rokturis

MONTĀŽA

▲BRĪDINĀJUMS: Pirms aprīkojuma salikšanas vai regulēšanas izslēdziet motoru un izņemiet akumulatora kasetni. Pretējā gadījumā ierīce var nejauši sākt darboties un radīt ievainojumus.

▲BRĪDINĀJUMS: Veicot aprīkojuma salikšanu vai regulēšanu, vienmēr nolieciet to guļus. Aprīkojuma salikšana vai regulēšana stateniskā stāvoklī var radīt smagu traumu.

▲BRĪDINĀJUMS: Ievērojiet brīdinājumus un piesardzības norādījumus nodaļā "DROŠĪBAS BRĪDINĀJUMI" un piedziņas bloka lietošanas rokasgrāmatā.

Papildierīces salikšana

1. Noņemiet papildierīces vāciņu.
► **Att.2:** 1. Vāciņš

2. Ievietojiet cauruli papildierīcē tā, lai atvere caurulē būtu savietota ar atveri papildierīcē. Vispirms stingri pievelciet īsāko skrūvi un pēc tam pievelciet garāko skrūvi, lai nostiprinātu cauruli.
► **Att.3:** 1. Atvere 2. Caurule 3. Skrūve (īsākā) 4. Skrūve (garākā)

PIEZĪME: Pievelkot bultskrūves, izmantojiet 4,0–6,0 N•m pievilkšanas griezes momentu.

Papildu caurules piestiprināšana

▲UZMANĪBU: Vienmēr pēc montāžas pārbauziet, vai papildierīces caurule ir cieši nostiprināta. Ja papildierīce nav pareizi uzmontēta, tā var atvienoties no piedziņas bloka un izraisīt traumas.

Papildu cauruli piestipriniet pie piedziņas bloka.

1. Noņemiet vāciņu no caurules gala.
► **Att.4:** 1. Caurule 2. Vāciņš

IEVĒRĪBAI: Neatbrīvojieties no vāciņa, jo tas būs vajadzīgs papildierīces glabāšanai.

2. Pagrieziet sviru pret papildierīci.
► **Att.5:** 1. Svira

3. Savietojiet tapu ar bultas atzīmi uz piedziņas bloka. Virziet cauruli, līdz atbrīvošanas poga izbīdās uz āru.

Novietojuma līnijai ir jāatrodas tieši pretī bultas atzīmei uz piedziņas bloka, un bultas atzīmēm uz piedziņas bloka un caurules ir jābūt vērstām vienai pret otru.

► **Att.6:** 1. Atlaišanas poga 2. Bultas atzīme uz piedziņas bloka 3. Tapa 4. Novietojuma līnija 5. Bultas atzīme uz caurules

4. Pagrieziet sviru pret piedziņas bloku.
► **Att.7:** 1. Svira

Pārliedziniet, ka sviras virsma ir novietota paralēli caurulei.

IEVĒRĪBAI: Nepievelciet sviru, ja nav ievietota papildierīces caurule. Citādi svira var pārāk cieši savilkāt piedziņas vārpstas atveri un to sabojāt.

Lai noņemtu cauruli, pagrieziet sviru pret papildierīci un, spiežot atbrīvošanas pogu, izvelciet cauruli.

► **Att.8:** 1. Atlaišanas poga 2. Svira 3. Caurule

Šķēru asmeņu uzstādīšana vai noņemšana

▲UZMANĪBU: Mainot šķēru asmeņus, vienmēr uzvelciet cimdus, lai rokām nebūtu tiešas saskares ar asmeņiem.

▲UZMANĪBU: Pirms šķēru asmeņu noņemšanas vai uzstādīšanas uzstādiet asmeņu apvalku.

IEVĒRĪBAI: Šķēru asmeņu nomaiņas gadījumā nenoslaukiet smērvielu no palaišanas vārpstas.

PIEZĪME: Pirms šķēru asmeņu uzstādīšanas vai noņemšanas atlokiat papildierīci, lai tā būtu taisnā līnijā ar cauruli.

1. Uzlieciet asmeņu apvalku šķēru asmeņiem.
► **Att.9:** 1. Asmeņu apvalks

2. Novietojiet papildierīci kājām gaisā.

3. Izmantojot sešstūru uzgriežņu atslēgu, izskrūvējiet 4 skrūves un noņemiet aizsargu un plāksni (lielo).
► **Att.10:** 1. Skrūve 2. Apvalks 3. Plāksne (lielā)

4. Ar plakangala skrūvgriezi pagrieziet palaišanas vārpstu tā, lai tā atrastos attēlā parādītajā pozīcijā.
► **Att.11:** 1. Palaišanas kloķis

5. Izskrūvējiet 2 skrūves.
► **Att.12:** 1. Skrūve

6. Noņemiet filca paliktņi (īso), filca paliktņi (garo), plāksni (mazo) un uznavas.
► **Att.13:** 1. Filca paliktņis (īsa) 2. Filca paliktņis (garais) 3. Plāksne (mazā) 4. Uzmava

7. Noņemiet šķēru asmeņus no papildierīces.
► **Att.14**

8. Noņemiet asmens apvalku un uzlieciet to jaunajiem šķēru asmeņiem.

9. Noņemiet putekļu aizsargu no šķēru asmeņiem un uzstādiēt to uz jaunajiem šķēru asmeņiem attēlā parādītajā pozīcijā.

► **Att.15:** 1. Putekļu aizsargs

10. Ievietojiet 5. darbībā izskrūvēto skrūvi šķēru asmeņu atverē caur asmens aizsarga atveri.

► **Att.16:** 1. Atvere 2. Skrūve

11. Uzklājiet nelielu smērvielas daudzumu zonā ap palaišanas vārpstu. Uzstādiēt šķēru asmeņus uz papildierīces.

► **Att.17**

12. Uzstādiēt uzmavas un plāksni (mazo) uz šķēru asmeņiem un pēc tam pievelciēt skrūvi.

► **Att.18:** 1. Skrūve 2. Plāksne (mazā) 3. Uzmava

13. Izskrūvējiet 10. darbībā šķēru asmeņu atverē ieskrūvēto skrūvi un tad pievelciēt to, lai nofiksētu šķēru asmeņus.

14. Uzstādiēt filca paliktņi (īso) un filca paliktņi (garo).

► **Att.19:** 1. Filca paliktņis (īsa) 2. Filca paliktņis (garais)

15. Piestipriniet plāksni (lielo) un aizsargu un pēc tam pievelciēt 4 skrūves.

► **Att.20:** 1. Skrūve 2. Apvalks 3. Plāksne (lielā)

IEVĒRĪBAI: Ja šķēru asmeņi nedarbojas pareizi, asmeņi nepareizi saslēdzas ar palaišanas kloķi. Noņemiet un vēlreiz uzstādiēt asmeņus.

IEVĒRĪBAI: Ja ir nolietotajās detaļās, kas nav šķēru asmeņi, piemēram, kloķis, vērsieties Makita pilnvarotos apkopes centros, lai iegūtu rezerves daļas vai veiktu remontu.

FUNKCIJU APRAKSTS

UZMANĪBU: Pirms darbarīka regulēšanas vai tā darbības pārbaudes vienmēr pārlicinieties, ka darbarīks ir izslēgts un akumulatora kasetne ir izņemta.

Zāģēšanas leņķa pielāgošana

UZMANĪBU: Pirms regulējat griešanas leņķi, vienmēr pārlicinieties, vai darbarīks ir izslēgts.

Galvas leņķi var pielāgot 13 pozīcijās. Lai mainītu galvas leņķi, veiciet tālāk aprakstītās darbības.

1. Turiet leņķa regulēšanas rokturi un noregulējiet galvas leņķi, pavelkot slīdes sviru, un pēc tam atlaidiet slīdes sviru.

► **Att.21:** 1. Slīdes svira 2. Leņķa regulēšanas rokturis

2. Viegli pakustiniet galvu, līdz tā nofiksējas ar klikšķi.

PIEZĪME: Pirms darbarīka lietošanas pārlicinieties, ka galva ir nofiksēta vietā.

EKSPLUATĀCIJA

BRĪDINĀJUMS: Ievērojiet brīdinājumus un piesardzības norādījumus nodaļā "DROŠĪBAS BRĪDINĀJUMI" un piedziņas bloka lietošanas rokasgrāmatā.

Darbarīka lietošana

BRĪDINĀJUMS: Neizmantojiet darbarīku elektroliņjas tuvumā. Lietošana elektroliņjas tuvumā vai nonāšana saskarē ar to var izraisīt nopietnu savainojumu risku vai nāvi elektrotraumas rezultātā.

BRĪDINĀJUMS: Nelieciet rokas šķēru asmeņu tuvumā.

BRĪDINĀJUMS: Vienmēr īpaši sekojiet, lai nodrošinātu darbarīka vadību. Neļaujiet darbarīkam atlēkt savā vai citu cilvēku virzienā darba vietas tuvumā. Ja zaudē kontroli pār darbarīku, smagas traumas var gūt gan operators, gan cilvēki tuvumā.

UZMANĪBU: Pēc iespējas nelietojiet darbarīku ļoti karstā laikā. Lietojot darbarīku, ņemiet vērā savu fizisko stāvokli.

UZMANĪBU: Griešanas laikā uzmanieties, lai nejauci nesaskartos ar metāla sētu vai citiem cietiem priekšmetiem. Šķēru asmeņi var salūzt un izraisīt nopietnus savainojumus.

UZMANĪBU: Uzmanieties, lai šķēru asmeņi nesaskartos ar zemi. Darbarīks var atsisties un radīt nopietnus savainojumus.

UZMANĪBU: Stiešanās pāri kaut kam ar dzīvīgu apgrīzējamašīnu, it īpaši no pieslienamajām kāpnēm, ir ļoti bīstama. Neveiciet darbu, stāvot uz nestabiliem un neizturīgiem objektiem.

IEVĒRĪBAI: Ar šo darbarīku nemēģiniet nogriezt zarus, kuru diametrs pārsniedz 10 mm. Pirms darbarīka izmantošanas vispirms ar zaru šķērēm nogrieziet zarus 10 cm zemāk nekā griešanas augstums.

► **Att.22:** (1) Griešanas augstums (2) 10 cm

IEVĒRĪBAI: Negrieziet nokaltušus kokus vai līdzīgus cietus priekšmetus. Tādējādi varat sabojāt darbarīku.

IEVĒRĪBAI: Ar šķēru asmeņiem negrieziet zāli vai nezāles. Šķēru asmeņi var sapīties zālē vai nezālēs.

Turiet darbarīku ar abām rokām aiz piedziņas bloka priekšējā roktura vai papildierīces priekšējā roktura un aiz piedziņas bloka aizmugurējā roktura.

► **Att.23:** 1. Priekšējais rokturis 2. Aizmugures rokturis

Turot nospiestu atbloķēšanas sviru, nospiediet slēdža mēlīti un tad pārvietojiet darbarīku uz priekšu.

► **Att.24**

Pamata darbībai sasveriet šķēru asmeņus griešanas virzienā un lēnām un mierīgi pārvietojiet tos ar ātrumu no 3 līdz 4 sekundēm metrā.

► **Att.25**

Lai līdzieni apgriezto dzīvzoga sānu daļu, grieziet no apakšas uz augšu.

► **Att.26**

Ja griežat, lai izveidotu apaļu formu (apgriežot bukšus, rododendrus u. c.), grieziet no saknēm līdz galotnei, veidojot pabeigtu formu.

► **Att.27**

APKOPE

▲BRĪDINĀJUMS: Pirms aprīkojuma pārbaudes vai apkopes izslēdziet dzinēju un izņemiet akumulatora kasetni. Pretējā gadījumā ierīce var nejauši sākt darboties un radīt ievainojumus.

▲BRĪDINĀJUMS: Veicot aprīkojuma pārbaudi vai apkopi, vienmēr nolieciet to guļus. Aprīkojuma salikšana vai regulēšana stateniskā stāvoklī var radīt smagus ievainojumus.

▲BRĪDINĀJUMS: Ievērojiet brīdinājumus un piesardzības norādījumus nodaļā "DROŠĪBAS BRĪDINĀJUMI" un piedziņas bloka lietošanas rokasgrāmatā.

▲UZMANĪBU: Veicot pārbaudi vai apkopi, valkājiet cimdus.

IEVĒRĪBAI: Nekad neizmantojiet gazolīnu, benzīnu, atšķaidītāju, spirtu vai līdzīgus šķidrumus. Tas var radīt izbalēšanu, deformāciju vai plaisas.

Lai saglabātu izstrādājuma DROŠĪBU un UZTICAMU darbību, remontdarbus, apkopi un regulēšanu uzticiet veikt tikai Makita pilnvarotam vai rūpnīcas apkopes centram, un vienmēr izmantojiet tikai Makita rezerves daļas.

Darbarīka tīrīšana

Tīriet darbarīku, noslaukot putekļus ar sausu drānu vai drānu, kas samērcēta ziepjūdenī un izgriezta.

IEVĒRĪBAI: Nekad neizmantojiet gazolīnu, benzīnu, atšķaidītāju, spirtu vai līdzīgus šķidrumus. Tas var radīt izbalēšanu, deformāciju vai plaisas.

Šķēru asmens tehniskā apkope

Pirms ekspluatācijas vai reizi stundā ekspluatācijas laikā uzklājiet uz šķēru asmeņiem zemas viskozitātes eļļu (mašīneļļu vai izsmidzināmu smēreļļu).

► **Att.28**

Pēc darba no abām šķēru asmeņu pusēm notīriet putekļus, izmantojot stieņu suku, noslaukiet ar drānu un pēc tam uzklājiet uz šķēru asmeņiem zemas viskozitātes eļļu (mašīneļļu vai izsmidzināmu smēreļļu).

► **Att.29**

IEVĒRĪBAI: Nemazgājiet šķēru asmeņus ar ūdeni. Šīs norādes neievērošana var izraisīt rūsū vai darbarīka bojājumus.

IEVĒRĪBAI: Netīrumi un korozija izraisa pastiprinātu asmeņu berzi un saīsina darbības laiku ar vienu akumulatora uzlādi.

Glabāšana

Uzlieciet asmeņu apvalku uz šķēru asmeņiem tā, lai asmeņi nebūtu redzami. Darbarīku glabājiet bērniem nepieejamā vietā. Darbarīku glabājiet tādā vietā, kas pasargāta no mitruma un lietus. Ja glabājat papildierīci atsevišķi no piedziņas bloka, caurules galam uzlieciet vāciņu.

► **Att.30**

Kustīgo daļu eļļošana

IEVĒRĪBAI: Izpildiet aprīkojuma eļļošanas biežuma un daudzuma norādījumus. Nepietiekama eļļošana var sabojāt kustīgās detaļas.

Piedziņas vārpsta:

Ik pēc 30 darba stundām uzklājiet smērvielu (izmantojiet Makita smērvielu N No.2 vai līdzvērtīgu).

► **Att.31**

PIEZĪME: Oriģinālo „Makita” smērvielu var nopirkt pie vietējā „Makita” izplatītāja.

Eļļošana ar smērvielu

Eļļošanas intervāls: ik pēc 25 darba stundām

1. Izņemiet skrūvi no atvēruma, lai varētu ieeļļot.
► **Att.32:** 1. Skrūve
2. Noņemiet smērvielas trauka vāciņu. Savietojiet smērvielas trauka snīpīti ar caurumu pārsegā un tad pagrieziet smērvielas trauku, lai pievienotu smērvielas trauka snīpīti caurumam.
► **Att.33:** 1. Smērvielas trauks 2. Atvere
3. Iespieties darbarīkā smērvielu (aptuveni 3 g).
4. Noņemiet smērvielas trauku.
5. Ieskrūvējiet skrūvi.

Šķēru asmeņu asināšana

IEVĒRĪBAI: Ja asināšanas rezultātā šķēru asmeņi ir būtiski deformējušies, nomainiet šķēru asmeņus.

1. Ievietojiet darbarīkā akumulatora kasetni.
2. Ieslēdziet un iedarbiniet darbarīku, lai augšējais asmens un apakšējais asmens būtu novietoti pamīšus.
► **Att.34**
3. Izslēdziet darbarīku un izņemiet no tā akumulatora kasetni.
4. Turiet vīli 45° leņķī un asiniet ar to augšējo asmeni no 3 pusēm.
► **Att.35:** (1) Vīle (2) 45°

▲UZMANĪBU: Pirms šķēru asmeņu asināšanas pārliecinieties, ka darbarīks ir izslēgts un akumulatora kasetne ir izņemta no darbarīka.

5. Novietojiet darbarīku otrādi un notīriet šķēru asmeņu atskarpes, izmantojot galodu.
► **Att.36:** 1. Galoda
6. Turiet vīli 45° leņķī un asiniet ar to apakšējo asmeni no 3 pusēm.
7. Novietojiet darbarīku normālā pozīcijā un notīriet šķēru asmeņu atskarpes, izmantojot galodu.

PROBLĒMU NOVĒRŠANA

Pirms nodošanas remontā vispirms veiciet pārbaudi pats. Ja konstatējat kļūmi, kas nav aprakstīta rokasgrāmatā, nemēģiniet darbarīku izjaukt. Dodieties uz Makita pilnvarotu apkopes centru un remontam vienmēr izmantojiet tikai Makita rezerves daļas.

Neatbilstošas darbības stāvoklis	Iespējamais iemesls (kļūme)	Risinājums
Motors nesāk darboties.	-	Skatiet piedziņas bloka lietošanas rokasgrāmatu.
Motors ātri apstājas.	-	Skatiet piedziņas bloka lietošanas rokasgrāmatu.
Motora apgriezienu skaits nepalielinās.	-	Skatiet piedziņas bloka lietošanas rokasgrāmatu.
Šķēru asmeņi nekustas: ⇒ nekavējoties apturiet mašīnu!	Starp šķēru asmeņiem iesprūduši svešķermeņi.	Izslēdziet darbarīku un izņemiet akumulatora kasetni; tad ar instrumentiem, piemēram, knaiblēm, izņemiet iekļērušos zarus vai netīrumus.
	Piedziņas sistēma nedarbojas pareizi.	Dodieties to remontēt vietējā pilnvarotā apkopes centrā.
Pārmērīga vibrācija: ⇒ nekavējoties apturiet mašīnu!	Šķēru asmeņi ir salūzuši, saliekti vai nodiluši.	Nomainiet šķēru asmeņus.
	Piedziņas sistēma nedarbojas pareizi.	Dodieties to remontēt vietējā pilnvarotā apkopes centrā.
Šķēru asmeņus un motoru nevar apturēt: ⇒ nekavējoties izņemiet akumulatoru!	Elektriska kļūme.	Izņemiet akumulatoru un sazinieties ar vietējo pilnvaroto apkopes centru, lai vienotos par remontu.

PAPILDU PIEDERUMI

⚠UZMANĪBU: Kopā ar šajā rokasgrāmatā aprakstīto Makita darbarīku ieteicams izmantot norādītos piederumus vai palīgierīces. Izmantojot citus piederumus vai palīgierīces, var izraisīt traumas. Piederumu vai palīgierīci izmantojiet tikai paredzētajam nolūkam.

Ja jums vajadzīga palīdzība vai precīzāka informācija par šiem piederumiem, vērsieties savā tuvākajā Makita apkopes centrā.

- Šķēru asmeņi mezgls
- Smērvielas trauks
- Makita oriģinālais akumulators un lādētājs

PIEZĪME: Daži sarakstā norādītie izstrādājumi var būt iekļauti izstrādājuma komplektācijā kā standarta piederumi. Tie dažādās valstīs var būt atšķirīgi.

SPECIFIKACIJOS

Modelis:	EN402MP
Ašmenų ilgis	500 mm
Bendras ilgis	1444 mm
Grynasis svoris	2,4 kg

- Atliekame tęsinius tyrimus ir nuolatos tobuliname savo gaminius, todėl čia pateikiamos specifikacijos gali būti keičiamos be įspėjimo.
- Skirtingose šalyse specifikacijos gali skirtis.

Patvirtintas galios įrenginys

Šis priedas patvirtintas naudoti tik su toliau nurodytu (-ais) varančiuoju (-iaisiais) įrankiu (-iais):

- DUX60 Belaidė daugiafunkcė benzininė galvutė
- DUX18 Belaidė daugiafunkcė benzininė galvutė
- UX01G belaidė daugiafunkcė benzininė galvutė

ĮSPĖJIMAS: Niekada nenaudokite priedo su nepatvirtintu galios įrenginiu. Nepatvirtintas derinys gali sunkiai susižaloti.

Simboliai

Toliau yra nurodyti simboliai, kurie gali būti naudojami įrangai. Prieš naudodami įsitinkinkite, kad suprantate jų reikšmę.



Perskaitykite naudojimo instrukciją ir ja vadovaukitės.



PAVOJUS. Laikykite rankas atokiau nuo peilio.



Saugokitės elektros perdavimo linijų. Galite patirti elektros smūgį.



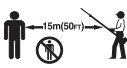
Užsidėkite apsauginį šalmą, naudokite akių ir klausos organų apsaugos priemones.



Mūvėkite apsaugines pirštines.



Avėkite tvirtus batus neslidžiais padais.



Pašaliniai asmenys ir gyvūnai turi būti ne mažesniu nei 15 m atstumu nuo elektrinio įrankio.



Darbinėje srityje turi nebūti jokių žmonių ir augintinių.



Garantuojamas garso galios lygis pagal ES lauko triukšmo direktyvą.



Garso galios lygis pagal Australijos NSW triukšmo kontrolės reglamentą

Numatytoji naudojimo paskirtis

Šis priedas skirtas tik gyvatvorėms kirpti, naudojant patvirtintą galios įrenginį. Niekada nenaudokite priedo kitais tikslais. Netinkamai elgiantis su priedu, galima sunkiai susižaloti.

EB atitikties deklaracija

Tik Europos šalims

Mes, gamintojai: **Makita Europe N.V.**, buveinės adresas: **Jan-Baptist Vinkstraat 2 3070 Kortenberg BELGIJA**. Įgaliojame **Hiroshi Tsujimura** parengti techninių duomenų bylą ir atsakingai tvirtiname, kad gaminy (-iai);
Ženklimas: **Gyvatvorių žirklių priedas**. Tipo (-ų) ženklimas: **EN402MP**.

Atitinka visus susijusius Direktyvos **2006/42/EB** nuostatus, taip pat – atitinkamus toliau nurodytų EB / ES direktyvų nuostatus: **2000/14/EB**, ir yra pagamintas vadovaujantis toliau nurodytais darniaisiais standartais: **EN62841-1:2015, EN 62841-4-2:2019, EN ISO 11806-1:2011**.

Deklaracijos sudarymo vieta ir data: **Kortenbergas, Belgija. 20. 12. 2022**

Atsakingasis asmuo: **Hiroshi Tsujimura, direktorius – „Makita Europe N.V.“**

SAUGOS ĮSPĖJIMAI

Saugos įspėjimai dėl akumuliatorių vamzdinių gyvatvorių žirklių naudojimo

- Visas kūno dalis laikykite toliau nuo peilių.** Nebandykite šalinti nuopojų ar laikyti pjau-namos dalies peiliams judant. Išjungus jungiklį, peiliai vis dar juda. Dirbant gyvatvorės žirkklėmis užtenka vienos neatidumo akimirkos ir galima rimtai susižaloti.
- Gyvatvorės žirkles neškite už rankenos, peiliams esant sustabdytiems, ir būkite atsargūs, kad neįjungtumėte jokio maitinimo jungiklio.** Tinkamai nešdami gyvatvorės žirkles, sumažinsite netyčinio įjungimo pavojų ir dėl to kylantį susižalo-jimo peiliais pavojų.
- Transportuodami ar sandėliuodami gyvatvorės žirkles, visada uždėkite peilių gaubtą.** Tinkamai elgdami su gyvatvorės žirkklėmis, sumažinsite susižalojimo peiliais pavojų.
- Šalindami įstrigusias medžiagas arba atlikdami įtaiso techninę priežiūrą, įsitikinkite, kad visi maitinimo mygtukai išjungti, o akumulia-torius išimtas arba atjungtas.** Netyčia įjungus gyvatvorės žirkles, kol šalinamos įstrigusios medžiagos arba atliekama techninė priežiūra, galima sunkiai susižaloti.
- Laikykite gyvatvorės žirkles tik už izoliuotų laikyti skirtų paviršių, nes peiliai gali užkliudyti nematomus laidus.** Peiliai užkliudžius laidą, kuriuo teka srovė, įtampa gali būti perduota neizo-liuotoms metalinėms gyvatvorės žirklių dalims ir operatorius gali patirti elektros smūgį.
- Visus maitinimo laidus ir kabelius laikykite atokiai nuo pjavimo srities.** Gyvatvorėse ar krūmuose gali būti paslėptų maitinimo laidų ar kabelių, kuriuos galima netyčia nupjauti peiliais.
- Nenaudokite gyvatvorės žirklių esant blogam orui, ypač kai gali žaibuoti.** Taip sumažinsite žaibo nutrenkimo pavojų.
- Kad sumažintumėte elektros smūgio pavojų, niekada nenaudokite vamzdinių gyvatvorės žirklių šalia jokių elektros maitinimo linijų.** Kludžius maitinimo linijas arba naudojant gaminį šalia jų, galima sunkiai susižaloti arba patirti elek-tros smūgį ir mirti.
- Naudodami vamzines gyvatvorės žirkles, visada dirbkite abiem rankomis.** Vamzines gyvatvorės žirkles laikykite abiem rankomis, kad neprarastumėte kontrolės.
- Kai vamzdinėmis gyvatvorės žirkklėmis dirbate jas iškėlę virš galvos, visada naudokite apsau-ginį šalmą.** Krintant nuolažoms, galima sunkiai susižaloti.

Papildomi nurodymai dėl saugumo

Pasiruošimas

- ŠIOMIS GYVATVORĖS ŽIRKLĖMIS GALIMA SUNKIAI SUSIŽALOTI.** Atidžiai perskaitykite instrukcijas dėl tinkamo įrankio naudojimo, paruošimo, priežiūros, įjungimo ir sustab-dymo. Susipažinkite su visais valdikliais ir išsiaiškinkite, kaip tinkamai naudoti įrankį.
- Prieš naudodami įrankį patikrinkite gyvatvorės ir krūmus, ar nėra pašalinių medžiagų, pvz., vielinių tvorų ar užslėptų vielų.**
- Gyvatvorės žirklių neleidžiama naudoti vai-kams ir asmenims, jaunesniams nei 18 metų.** Jauniems asmenims (bet vyresniems nei 16) gali būti taikoma išimtis, jei jie yra mokomi dirbti žirkklėmis, prižiūrint specialistui.
- Esant avarinei situacijai nedelsdami išjunkite įrankį ir išimkite akumuliatoriaus kasetę.**
- PAVOJUS - Rankas laikykite kuo toliau nuo ašmenų.** Prilietę ašmenis galite sunkiai susižaloti.
- Pradedantieji naudotojai turi paprašyti patyru-sių naudotojų parodyti, kaip naudoti įrankį.**
- Prieš darbą apžiūrėkite darbo zoną, ar joje nėra vielinių tvorų, akmenų ar kitų kietų objektų.** Jie gali pažeisti peilius.
- Naudokite gyvatvorės žirkles tik būdami geros fizinės būklės.** Jei esate pavargę, jūsų dėmesys bus sumažėjęs. Ypač atsargiai dirbkite darbo dienos pabaigoje. Visus darbus atlikite ramiai ir atidžiai. Vartotojas atsakingas už visą žalą, pada-rytą trečiajam šaliai.
- Prieš pradėdami darbą, įsitinkinkite, kad žirkklės yra geros, saugiam darbui tinkamos būklės.** Įsitinkinkite, kad apsaugos yra tinkamai pritvir-tintos. Gyvatvorių žirkles galima naudoti tik visiškai sukomplektuotas.
- Venkite pavojingos aplinkos.** Nenaudokite šio įrankio drėgnoje arba šlapioje vietoje; saugo-kite jį nuo lietaus. Į šį įrankį patekęs vanduo padidina elektros smūgio pavojų.

Asmeninės apsaugos priemonės

- Darbinės storos odos pirštinės yra viena pagrindinių gyvatvorės žirklių įrangos dalių ir jas reikia mūvėti viso darbo gyvatvorės žirkklėmis metu.** Taip pat avėkite tvirtus batus neslysn-tančiais padais.
- Užsidėkite ausų apsaugas, pvz., ausines, apsaugančias klausą.**
- Užsidėkite apsauginius akinius, šalmą ir apsau-gines pirštines, kad apsisaugotumėte nuo skren-dančių nuolaužų arba krentančių objektų.**
- Liesdami peilius arba reguliuodami jų kampą, mūvėkite apsaugines pirštines.** Peiliai gali stipriai įpjauti neapsaugotas rankų vietas.

Naudojimas

- Įrankiu visada dirbkite abiem rankomis.** Laikydami viena ranka, galite prarasti kontrolę ir sunkiai susižaloti.
- Naudodami įrankį, visada įsitinkinkite, kad darbinė padėtis yra saugi.** Ypač pavojinga užsimoti įrankiu pernelyg toli, ypač būnant ant kopėčių. Nedirbkite stovėdami ant netvirtu ar svyruojančio pagrindo.

3. Dirbdami įrankiu, vienu metu nenaudokite kelių juosmens ir (arba) perpeptinių diržų.
 4. Darbo metu aplinkiniai asmenys arba gyvūnai turi būti ne mažesniu kaip 15 m atstumu iki įrankio. Kam nors artėjant išjunkite įrankį.
 5. Jei pjovimo įrankis atsitrenkia į kokį nors objektą arba ima skleisti neįprastą triukšmą ar vibruoti, nedelsdami išjunkite jį ir išimkite akumulatoriaus kasetę bei palaukite, kol jis sustos. Tada atlikite toliau nurodytus veiksmus:
 - patikrinkite, ar nėra gedimo;
 - patikrinkite, ar nėra atsilaisvinsiuų dalių, ir jas priveržkite;
 - pažeistas dalis pakeiskite arba suremontuokite naudodami originalias atsargines dalis.
 6. Įrankį naudokite tik pagal numatytąją paskirtį. Nenaudokite jo jokiam kitam tikslui.
 7. Išjunkite įrankį ir išimkite akumulatoriaus kasetę prieš:
 - valydami arba šalinami įstrigusius objektus;
 - tikrindami, atlikdami techninės priežiūros darbus arba dirbdami įrankiu;
 - reguliuodami darbinę žirklių peilių padėtį;
 - palikdami įrankį be priežiūros.
 8. Prieš įjungdami įrankį, įsitikinkite, kad jis yra nustatytas į tinkamą numatytą darbinę padėtį.
 9. Nenaudokite įrankio su pažeistais arba pernešy susidėvėjusiais žirklių peiliais.
 10. Visada stebėkite savo aplinką ir saugokitės galimų pavojų, apie kuriuos galite nežinoti dėl įrankio skleidžiamo triukšmo.
 11. Dirbdami saugokitės, kad netyčia neužkliudytumėte metalinės tvoros ar kitų kietų objektų. Peiliai nulūš ir jie gali sunkiai sužaloti.
 12. Saugokitės, kad įrenginio neįjungtumėte netyčia. Neneškite įrankio su įdėta akumulatoriaus kasete ir laikydami pirštą ant jungiklio. Dėdami akumulatoriaus kasetę, įsitikinkite, kad jungiklis išjungtas.
 13. Paimdami arba laikydami įrankį, neimkite už atvirų pjovimo ašmenų ar pjovimo briaunų.
 14. Nespauskite įrankio jėga. Naudodami jį numatytu pajėgumu, darbą atliksite geriau ir sumažės tikimybė susižeisti.
 15. Nenaudokite įrankio lietuje ir šlapiomis arba labai drėgnomis sąlygomis. Elektros variklis nėra atsparus vandeniui.
 16. Darbo metu įrankį laikykite tvirtai.
 17. Be reikalo nenaudokite įrankio be apkrovos.
 18. Prieš tikrindami žirklių peilius, taisydami gedimus ar šalinami pašalinius objektus, įstrigusius tarp žirklių peilių, visada išjunkite įrankį ir išimkite akumulatoriaus kasetę.
 19. Niekada nenukreipkite žirklių peilių į save ar kitus žmones.
 20. Jei peiliai nustoja judėti dėl tarp jų darbo metu įstrigusiu pašalinių medžiagų, išjunkite įrankį ir išimkite akumulatoriaus kasetę, tada įrankiu, pvz., replėmis, pašalinkite pašalines medžiagas. Ranka šalinant pašalines medžiagas galima susižaloti, kadangi peiliai, reaguodami į šalinamas pašalines medžiagas, gali pajudėti.
 21. Tvirtindami arba nuimdami peilių gaubtą, būkite atsargūs, kad nesusižalotumėte rankų.
- Elektros ir akumulatoriaus sauga**
1. **Nedirbkite pavojingomis sąlygomis.** Nenaudokite šio įrankio drėgnoje arba šlapioje vietoje; saugokite jį nuo lietaus. Į įrankį patekęs vanduo padidins elektros šoko pavojų.
 2. **Nemeskite akumulatoriaus (-ių) į ugnį.** Akumulatoriaus elementas gali sprogti. Pasitikrinkite, ar vietiniai įstatymai nenurodo specialaus išmetimo būdo.
 3. **Neatidarykite ir neardykite akumulatoriaus (-ių).** Ištekėjęs elektrolitas yra esdinančioji medžiaga, kuri gali pažeisti akis ar odą. Nurytas jis gali apnuodyti.
 4. **Nenaudokite akumulatoriaus lyjant arba drėgnose vietose.**
 5. **Nekraukite akumulatoriaus lauke.**
 6. **Neimkite įkroviklio, įskaitant įkroviklio kištuką ir gnybtus, drėgnomis rankomis.**
- Techninė priežiūra ir laikymas**
1. **Kai įrankis sustabdomas, kad būtų atliekama jo techninė priežiūra, patikra arba ketinant jį laikyti, išjunkite įrankį ir išimkite akumulatoriaus kasetę bei įsitikinkite, kad visos judančios dalys sustojo.** Prieš atlikdami bet kokias patikras, koregavimo veiksmus ir pan., palaukite, kol įrankis atvės.
 2. **Prieš padėdami įrankį į laikymo vietą, visada palaukite, kol jis atvės.**
 3. **Kai įrankio nenaudojate, uždėkite peilių gaubtą ir laikykite įrankį sausoje, rakinamoje patalpoje aukštai padėtą, kad jo nepasiektų vaikai.**
 4. **Tinkamai prižiūrėkite įrankį.** Norėdami pasiekti geriausią rezultatą ir sumažinti susižalojimo pavojų, pasirūpinkite, kad pjovimo briauna būtų aštri ir švari. Laikykitės instrukcijų dėl tepimo ir priedų keitimo. Rankenos turi būti sausos, švarios ir neišteptos tepalu.
 5. **Patikrinkite pažeistas dalis.** Prieš toliau naudodami įrankį, atidžiai patikrinkite visas pažeistas dalis, kad galėtumėte nuspręsti, ar jos tinkamai veiks ir gerai atliks savo funkcijas. Patikrinkite, ar tinkamai sulęgiuotos ir suveržtos judančios dalys, ar nėra sulūžusių dalių, ar dalys tinkamai sumontuotos, ir kitas sąlygas, kurios gali turėti įtakos įrankio veikimui. Pažeistą apsauginį įtaisą ar kitą dalį reikia tinkamai pataisyti arba pakeisti įgaliotajame techninės priežiūros centre.
 6. **Naudokite tik originalias atsargines dalis.**
 7. **Pernešdami įrankį į kitą vietą, taip pat ir darbo metu, visada išimkite akumulatoriaus kasetę ir ant žirklių peilių uždėkite peilių gaubtą.** Niekada neneškite ir netransportuokite įrankio peiliams veikiant. Niekada neimkite už peilių rankomis.
 8. **Panaudoję įrankį ir prieš ketindami sandėliuoti jį ilgą laikotarpį, nuvalykite jį, ypač žirklių peilius.** Žirklių peilius šiek tiek patepkite alyva ir uždėkite peilių gaubtą.
 9. **Nemeskite akumulatoriaus (-ių) į ugnį.** Akumulatoriaus elementas gali sprogti. Pasitikrinkite, ar vietiniai įstatymai neaprašo specialaus išmetimo būdo.

- Neatidarykite ir neardykite akumulatoriaus (-ių). Ištekėjęs elektrolitas yra ėdančioji medžiaga, kuri gali pažeisti akis ar odą. Nurytas jis gali apnuodyti.
- Nenaudokite akumulatoriaus lyjant arba drėgnose vietose.

SAUGOKITE ŠIAS INSTRUKCIJAS.

⚠️ JSPĖJIMAS: NELEISKITE, kad patogumas ir gaminio pažinimas (įgyjamas pakartotinai naudojant) susilpnintų griežtą saugos taisyklių, taikytinų šiam gaminiui, laikymąsi. Dėl NETINKAMO NAUDOJIMO arba saugos taisyklių, kurios pateiktos šioje instrukcijoje, nesilaikymo galima rimtai susižeisti.

DALIŲ APRAŠYMAS

- **Pav.1:** 1. Peilių gaubtas 2. Kampo reguliavimo rankena 3. Dangtelis 4. Žirklių peiliai 5. Stumdomoji svirtis 6. Priekinė rankena

SURINKIMAS

⚠️ JSPĖJIMAS: Prieš surinkdami arba reguliuodami įrangą, išjunkite variklį ir išimkite akumulatoriaus kasetę. Priešingu atveju mechanizmas gali netečia įsijungti ir sužaloti.

⚠️ JSPĖJIMAS: Kai surenkate arba reguliuojate įrankį, visada jį nuleiskite. Surenkant arba reguliuojant įrangą esant stačiai padėčiai, galima sunkiai susižeisti.

⚠️ JSPĖJIMAS: Laikykitės įspėjimų ir atsargumo priemonių, nurodytų skyriuje SAUGUMO ĮSPĖJIMAI ir galios įrenginio naudojimo instrukcijoje.

Priedo surinkimas

1. Nuimkite priedo dangtelį.
- **Pav.2:** 1. Dangtelis
2. Įkiškite vamzdį į priedą, kad vamzdžio kiaurymė būtų sulygiuota su kiauryme ant priedo. Vamzdžiui užfiksuoti pirmiausia priveržkite trumpąjį varžtą, tada – ilgąjį.
- **Pav.3:** 1. Kiaurymė 2. Vamzdis 3. Varžtas (trumpasis) 4. Varžtas (ilgasis)

PASTABA: Varžtus priveržkite 4,0–6,0 N•m sukimo momentu.

Priedo vamzdžio sumontavimas

⚠️ PERSPĖJIMAS: Po montavimo visada patikrinkite, ar priedo vamzdis užfiksuotas. Netinkamai sumontavus, priedas gali nukristi nuo galios įrenginio ir sužaloti.

Pritvirtinkite priedo vamzdį prie galios įrenginio.

1. Nuo vamzdžio galo nuimkite dangtelį.
- **Pav.4:** 1. Vamzdis 2. Dangtelis

PASTABA: Dangtelio neišmeskite, kadangi jo reikės sandėliuojant priedą.

2. Pasukite svirtį priedo link.

► **Pav.5:** 1. Svirtis

3. Sutapdinkite kaištį su ant galios įrenginio pažymėta rodykle. Kiškite vamzdį, kol atleidimo mygtukas iššoks.

Įsitinkinkite, kad padėties linija yra ant rodyklės žymos galiuko ant galios įrenginio, o rodyklės žyma ant galios įrenginio ir rodyklės žyma ant vamzdžio yra nukreiptos viena į kitą.

► **Pav.6:** 1. Atlaisvinimo mygtukas 2. Rodyklės žyma ant galios įrenginio 3. Kaištis 4. Padėties linija 5. Rodyklės žyma ant vamzdžio

4. Pasukite svirtį link galios įrenginio.

► **Pav.7:** 1. Svirtis

Pasirūpinkite, kad svirties paviršius būtų lygiagretus vamzdžio atžvilgiu.

PASTABA: Nepriveržkite svirties, neįdėję priedo vamzdžio. Antraip svirtis gali per daug priveržti varantįjį veleną ir jį sugadinti.

Norėdami nuimti vamzdį, pasukite svirtį priedo link ir ištraukite vamzdį, tuo pačiu metu spausdami atlaisvinimo mygtuką.

► **Pav.8:** 1. Atlaisvinimo mygtukas 2. Svirtis 3. Vamzdis

Žirklių peilių uždėjimas ir nuėmimas

⚠️ PERSPĖJIMAS: Keisdami žirklių peilius, visada mėvėkite pirštines, kad rankos tiesiogiai prie jų neprisiliestų.

⚠️ PERSPĖJIMAS: Prieš montuodami arba nuimdami žirklių peilius, uždėkite peilio gaubtą.

PASTABA: Keisdami žirklių peilius, nenuvalykite tepalo nuo švaistiklio.

PASTABA: Prieš montuodami arba nuimdami žirklių peilius, atlenkite priedą, kad jis būtų nustatytas tiesiai vamzdžio atžvilgiu.

1. Uždėkite peilių gaubtą ant žirklių peilių.

► **Pav.9:** 1. Peilių gaubtas

2. Apverskite priedą.

3. Šešiabriauniu raktu atsukite 4 varžtus, nuimkite dangtelį ir plokštelę (didžiąją).

► **Pav.10:** 1. Varžtas 2. Dangtelis 3. Plokštelė (didžioji)

4. Plokščiuoju atsuktuvu pasukite švaistiklį, kad šis būtų nustatytas paveikslėlyje parodyta kryptimi.

► **Pav.11:** 1. Švaistiklis

5. Atsukite 2 varžtus.

► **Pav.12:** 1. Varžtas

6. Nuimkite veltinio padą (trumpąjį ir ilgąjį), plokštelę (mažąją) ir įvores.

► **Pav.13:** 1. Veltinio padas (trumpasis) 2. Veltinio padas (ilgasis) 3. Plokštelė (mažoji) 4. Įvorė

7. Nuimkite žirklių peilius nuo priedo.

► **Pav.14**

8. Nuimkite peilių gaubtą ir uždėkite jį ant naujų žirklių peilių.

9. Nuimkite nuo žirklių peilių apsaugą nuo dulkių, tada prijunkite jį paveikslėlyje parodytoje padėtyje, ant naujųjų žirklių peilių.

► **Pav.15:** 1. Apsaugas nuo dulkių

10. Pro angą peilių gaubte įkiškite 5 žingsnyje numtą varžtą į angą žirklių peiliuose.

► **Pav.16:** 1. Anga 2. Varžtas

11. Patepkite mažą tepalo kiekį išorinę švaistiklio pusę. Prijunkite žirklių peilius prie priedo.

► **Pav.17**

12. Prijunkite įvores ir plokštelę (mažąją) prie žirklių peilių, tada priveržkite varžtą.

► **Pav.18:** 1. Varžtas 2. Plokštelė (mažoji) 3. Įvorė

13. Išsukite 10 žingsnyje į žirklių peilių angą įsuktą varžtą ir jį priveržkite, kad pritvirtintumėte žirklių peilius.

14. Prijunkite veltinio padą (trumpąjį ir ilgąjį).

► **Pav.19:** 1. Veltinio padas (trumpasis) 2. Veltinio padas (ilgasis)

15. Sumontuokite plokštelę (didžiąją) ir dangtelį, tada priveržkite 4 varžtus.

► **Pav.20:** 1. Varžtas 2. Dangtelis 3. Plokštelė (didžioji)

PASTABA: Jeigu pjovimo peiliai veikia netinkamai, jie nėra tinkamai uždėti ant švaistiklio. Nuimkite peilius ir vėl juos uždėkite.

PASTABA: Jei nusidėvėję dalys, pvz., švaistiklis, išskyrus pjovimo peilius, kreipkitės į „Makita“ įgaliotuosius techninės priežiūros centrus, kad pakeistų dalis ar atliktų remonto darbus.

VEIKIMO APRAŠYMAS

▲PERSPĖJIMAS: Prieš pradėdami reguliuoti arba tikrinti įrankio veikimą, visuomet būtinai išjunkite įrankį ir išimkite akumuliatoriaus kasetę.

Pjovimo kampo reguliavimas

▲PERSPĖJIMAS: Prieš reguliuodami pjovimo kampą, visada įsitikinkite, kad įrankis išjungtas.

Galvutės kampą galima reguliuoti parenkant vieną iš 13 padėčių. Norėdami pakeisti galvutės kampą, atliksite toliau nurodytus veiksmus.

1. Laikydami kampo reguliavimo rankeną, nustatykite galvutės kampą, tuo pat metu traukdami stumdomąją svirtį. Galiausiai stumdomąją svirtį atleiskite.

► **Pav.21:** 1. Stumdomoji svirtis 2. Kampo reguliavimo rankena

2. Švelniai judinkite galvutę, kol ji spragtelėjusi užsifiksuos.

PASTABA: Prieš pradėdami dirbti įrankiu, įsitikinkite, kad galvutė saugiai užfiksuota.

NAUDOJIMAS

▲JSPĖJIMAS: Laikykitės įspėjimų ir atsargumo priemonių, nurodytų skyriuje SAUGUMO ĮSPĖJIMAI ir galios įrenginio naudojimo instrukcijoje.

Įrankio naudojimas

▲JSPĖJIMAS: Nenaudokite įrankio šalia elektros maitinimo linijų. Kludžius maitinimo linijas arba naudojant įrankį šalia jų, galima sunkiai susižaloti arba patirti elektros smūgį ir mirti.

▲JSPĖJIMAS: Rankas laikykite kuo toliau nuo žirklių peilių.

▲JSPĖJIMAS: Tuo metu būkite labai atsargūs, kad suvaldytumėte įrankį. Neleiskite, kad įrankis būtų nukreiptas jūsų arba kito, šalia darbo vietos esančio žmogaus, link. Nesuvaldžius įrankio, galima sunkiai susižeisti arba sužeisti šalia esančius žmones ir operatorius.

▲PERSPĖJIMAS: Jei tik įmanoma, stenkitės nenaudoti šio įrankio labai karštomis oro sąlygomis. Naudodami šį įrankį, atsižvelkite į savo fizinę būklę.

▲PERSPĖJIMAS: Kirpdami saugokitės, kad neužkabintumėte peiliu metalinės tvoros ar kito kieto daikto. Žirklių peiliai gali nulūžti ir sužeisti.

▲PERSPĖJIMAS: Būkite atsargūs ir neleiskite, kad pjovimo peiliai liestų žemę. Įrankis gali nulūžti ir sužeisti.

▲PERSPĖJIMAS: Nepaprastai pavojinga gyvatvorės žirkklėmis užsimoti per toli, ypač nuo kopėčių. Nedirbkite stovėdami ant netvirtos ar svyruojančio pagrindo.

PASTABA: Nebandykite šiuo įrankiu pjauti šakelių, storesnių kaip 10 mm skersmens. Šakų pjaustytuvais nupjaustykite šakeles iki 10 cm žemiau pjovimo aukščio, tik tuomet naudokite šį įrankį.

► **Pav.22:** (1) Pjovimo aukštis (2) 10 cm

PASTABA: Nepjaukite sudžiūvusių šakų ar panašių kietų daiktų. Taip galite sugadinti įrankį.

PASTABA: Nepjaukite žolės ar piktžolių žirklių peiliais. Žirklių peiliai gali įsipainioti žolėje arba piktžolėse.

Laikykite įrankį abiem rankomis, suėmę už galios įrenginio priekinės rankenos arba priedo priekinės rankenos ir galios įrenginio galinės rankenos.

► **Pav.23:** 1. Priekinė rankena 2. Galinė rankena

Spausdami atrakinimo svirtį, nuspauskite gaiduką ir pastumkite įrankį pirmyn.

► **Pav.24**

Paprasčiausias veiksmas yra pakreipti žirklių peilius pjovimo kryptimi, ramiai ir lėtai judinti, įveikiant metrą per 3 – 4 sekundes.

► **Pav.25**

Norėdami tolygiai apipjauti gyvatvorės šonus, pjaukite iš apačios į viršų.

► **Pav.26**

Jei norite išgauti apvalią formą (apkarpančią buksmedžius, rododendrus ir pan.), kirpkite nuo pagrindo į viršų, kad pasiektumėte gerų rezultatų.

► **Pav.27**

TECHINĖ PRIEŽIŪRA

⚠ JSPĖJIMAS: Prieš atlikdami techninę įrangos priežiūrą arba apžiūrą, išjunkite variklį ir išimkite akumuliatoriaus kasetę. Priešingu atveju mechanizmas gali netyčia įsijungti ir rimtai sužaloti.

⚠ JSPĖJIMAS: Kai tikrinatė įrangą arba atliekatė jos techninės priežiūros darbus, visada ją nuleiskite. Surenkant arba reguliuojant įrangą esant stačiai padėčiai, galima sunkiai susižaloti.

⚠ JSPĖJIMAS: Laikykitės įspėjimų ir atsargumo priemonių, nurodytų skyriuje SAUGUMO ĮSPĖJIMAI ir galios įrenginio naudojimo instrukcijoje.

⚠ PERSPĖJIMAS: Atlikdami patikrinimo arba techninės priežiūros darbus, mūvėkite pirštines.

PASTABA: Niekada nenaudokite gazolino, benzino, tirpiklio, spirito arba panašių medžiagų. Gali atsirasti išblukimų, deformacijų arba įtrūkimų.

Kad gaminys būtų SAUGUS ir PATIKIMAS, jį taisyti, apžiūrėti ar vykdyti bet kokią kitą priežiūrą ar derinimą turi įgaliojasis kompanijos „Makita“ techninės priežiūros centras; reikia naudoti tik kompanijos „Makita“ pagamintą atsarginę dalis.

Įrankio valymas

Nuvalykite nuo įrankio dulkes sausu ar muilinu vandeniu sumirkytu ir nugręžtu skuduru.

PASTABA: Niekada nenaudokite gazolino, benzino, tirpiklio, spirito arba panašių medžiagų. Gali atsirasti išblukimų, deformacijų arba įtrūkimų.

Žirklių peilių priežiūra

Prieš darbą arba kas valandą darbo metu patepkite žirklių peilius mažo klampumo alyva (mašininė alyva ar purškiamą tepimo alyva).

► **Pav.28**

Po darbo vielinio šepetėliu išvalykite dulkes iš abiejų žirklių peilių pusių, nuvalykite juos skudurėliu, o paskui patepkite mažo klampumo alyva (mašininė alyva ar purškiamą tepimo alyva).

► **Pav.29**

PASTABA: Neplaukite žirklių peilių vandeniu. Tai gali paskatinti rūdijimą arba sugadinti šį įrankį.

PASTABA: Purvas ir korozija sukelia pernelyg didelę trintį ir sutrumpina akumuliatoriaus darbo laiką.

Laikymas

Uždėkite peilio gaubtą ant pjovimo peilių, kad jie būtų uždengti. Saugokite įrankį vaikams nepasiekiamoje vietoje. Laikykite įrankį nuo drėgmės ar lietaus apsaugotoje vietoje. Kai priedą (atskirtą nuo galios įrenginio) reikia sandėliuoti, sumontuokite dangtelį ant vamzdžio galo.

► **Pav.30**

Judamųjų dalių sutepimas

PASTABA: Laikykitės tepimo dažnumo ir naudojamo tepalo kiekio nurodymų. Kitu atveju judančios dalys gali būti sugadintos dėl nepakankamo tepimo.

Varančioji ašis:

Įpilkite tepalo („Makita grease N No.2“ ar analogiško) kas 30 val. darbo.

► **Pav.31**

PASTABA: Originalaus „Makita“ tepalo galite įsigyti iš savo vietinio „Makita“ pardavimo atstovo.

Tepimas

Tepimo intervalas: Kas 25 darbo valandų

1. Išsukite varžtą iš skylės, kad galėtumėte sutepti.
► **Pav.32:** 1. Varžtas

2. Nuimkite dangtelį nuo tepalo indo. Sulygiuokite tepalo indo išleidimo angą su gaubto anga ir pasukite tepalo indą, kad prijungtumėte tepalo indo išleidimo angą prie angos.

► **Pav.33:** 1. Tepalo indas 2. Skyelė

3. Užtepkite tepalo ant įrankio (rekomenduojama maždaug 3 g).

4. Nuimkite tepalo indą.

5. Priveržkite varžtą.

Žirklių peilių galandimas

PASTABA: Jeigu žirklių peiliai dėl galandimo žymiai deformavosi, pakeiskite juos naujais.

1. Įdėkite akumulatoriaus kasetę į įrankį.
2. Įjunkite ir užveskite įrankį, kad viršutinis peilis ir apatinis peilis būtų išsidėstę pakaitomis.
► **Pav.34**
3. Išjunkite įrankį ir išimkite akumulatoriaus kasetę.
4. Nustatykite dildės 45° kampą ir dilde 3 kryptimis pagaląskite viršutinį peilį.
► **Pav.35:** (1) Dildė (2) 45°

▲PERSPĖJIMAS: Prieš galąsdami žirklių peilius, įsitikinkite, kad įrankis yra išjungtas ir iš jo išimta akumulatoriaus kasetė.

5. Apverskite įrankį ir tuomet galandimo akmeniu pašalinkite nuo žirklių peilių šerpetas.
► **Pav.36:** 1. Galandimo akmuo
6. Nustatykite dildės 45° kampą ir dilde 3 kryptimis pagaląskite apatinį peilį.
7. Atverskite įrankį į įprastą padėtį ir tuomet galandimo akmeniu pašalinkite nuo žirklių peilių šerpetas.

GEDIMŲ ŠALINIMAS

Prieš kreipdamiesi dėl remonto darbų, pirmiausia patikrinkite gedimus patys. Kilus problemų, apie kurias nepaaiškinta vartotojo vadove, nemėginkite ardyti įrankio. Kreipkitės į įgaliotuosius „Makita“ techninės priežiūros centrus, kuriuose remontui visuomet naudojamos originalios „Makita“ keičiamosios dalys.

Neįprasta būklė	Tikėtina priežastis (triktis)	Ištaisomoji priemonė
Variklio nepavyksta paleisti.	-	Žr. galios įrenginio naudojimo instrukciją.
Variklis greitai sustoja.	-	Žr. galios įrenginio naudojimo instrukciją.
Variklio greitis nedidėja.	-	Žr. galios įrenginio naudojimo instrukciją.
Žirklių peiliai nejudą: ⇒ nedelsdami sustabdykite įrenginį!	Tarp žirklių peilių yra įstrigusių pašalinių objektų. Netinkamai veikia pavaros sistema.	Išjunkite įrankį ir išimkite akumulatoriaus kasetę, tada tam tikrais įrankiais, pvz., replėmis, pašalinkite pašalinius objektus. Dėl remonto kreipkitės į vietinį įgaliotąjį techninės priežiūros centrą.
Neįprasta vibracija: ⇒ nedelsdami sustabdykite įrenginį!	Žirklių peiliai sulūžę, sulinkę arba susidėvėję. Netinkamai veikia pavaros sistema.	Pakeiskite žirklių peilius. Dėl remonto kreipkitės į vietinį įgaliotąjį techninės priežiūros centrą.
Žirklių peiliai ir variklis nesustoja: ⇒ nedelsdami išimkite akumulatorių!	Elektros gedimas.	Išimkite akumulatorių ir susisiekiu su vietiniu įgaliotuoju techninės priežiūros centru dėl remonto.

PASIRENKAMI PRIEDAI

▲PERSPĖJIMAS: Su šiaime vadove nurodyta „Makita“ mašina rekomenduojama naudoti šiuos įtaisus arba priedus. Naudojant bet kokius kitus įtaisus arba priedus, gali kilti pavojus sužaloti žmones. Įtaisus arba priedus naudokite tik pagal nurodytą paskirtį.

Jeigu norite daugiau sužinoti apie tuos priedus, kreipkitės į artimiausią „Makita“ techninės priežiūros centrą.

- Peilio mechanizmas
- Tepalo indas
- Originalūs „Makita“ akumulatorius ir įkroviklis

PASTABA: Kai kurie sąraše esantys priedai gali būti pateikti gaminio pakuotėje kaip standartiniai priedai. Jie įvairiose šalyse gali skirtis.

TEHNILISED ANDMED

Mudel:	EN402MP
Tera pikkus	500 mm
Üldpikkus	1444 mm
Netokaal	2,4 kg

- Meie pideva uuringu- ja arendusprogrammi tõttu võidakse tehnilisi andmeid muuta ilma sellest ette teatamata.
- Tehnilised andmed võivad riigiti erineda.

Heakskiidetud mootorseade

See tarvik on heaks kiidetud ainult järgmis(t)e mootorseadme(te)ga kasutamiseks:

- Juhtmeta universaalne mootorajam DUX60
- Juhtmeta universaalne mootorajam DUX18
- Juhtmeta universaalne mootorajam UX01G

⚠ HOIATUS: Ärge kasutage tarvikut koos heakskiitmata mootorajamiga. Heakskiiduta kombinatsioon võib tuua kaasa raske kehavigastuse.

Sümbolid

Alljärgnevalt kirjeldatakse tingimärke, mida võidakse seadmetel kasutada. Enne seadme kasutamist tehke endale selgeks nende tähendus.



Lugege läbi ja järgige kasutusjuhendit.



OHT – Hoidke käed terast eemal.



Ettevaatust elektriliinide suhtes. Elektrilöögioht.



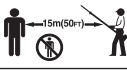
Kandke kaitsekiivrit, kaitseprille ja kõrvakaitsmeid.



Kandke kaitsekindaid.



Kandke tugevaid libisemiskindla tallaga jalatseid.



Hoidke kõrvalseisjad ja loomad vähemalt 15 m kaugusel mootortööriistast.



Hoidke inimesed ja lemmikloomad tööpiirkonnast eemal.



Garanteeritud helivõimsustase ELi välisingimustes kasutatavate seadmete müradirektiivi kohaselt.



Helivõimsustase Austraalia NSW mürakontrolli määruse kohaselt

Kavandatud kasutus

See tarvik on sobiva mootorseadmega ühendatult ette nähtud ainult heki lõikamiseks. Ärge kasutage tarvikut muuks otstarbeks. Tarviku väärkasutamine võib tuua kaasa raske kehavigastuse.

EÜ vastavusdeklaratsioon

Ainult Euroopa riikide puhul

Meie kui tootjad: **Makita Europe N.V.**, ettevõtte aadress: **Jan-Baptist Vinkstraat 2, 3070 Kortenberg, BELGIUM.** Volitame **Hiroshi Tsujimura** koostama tehnilist dokumenti ja deklareerime oma ainuvastutusel, et toode/tooted;

Nimetus: **hekitrimmeri tarvik.** Tüübi/tüüpide tähistus: **EN402MP.**

vastab kõikidele direktiivi **2006/42/EÜ** asjakohastele sätetele ja ka järgmiste EÜ/EL-i direktiivide kõikidele asjakohastele sätetele: **2000/14/EÜ** ning on toodetud kooskõlas järgmiste harmoneeritud standarditega: **EN62841-1:2015, EN 62841-4-2:2019, EN ISO 11806-1:2011.**

Deklaratsiooni koht ja kuupäev: **Kortenberg, Belgia. 20. 12. 2022**

Vastutav isik: **Hiroshi Tsujimura, direktor – Makita Europe N.V.**

OHUTUSHOIATUSED

Teleskoopvarrega juhtmeta hekilõikuri ohutusnõuded

1. Hoidke kõik kehaosad terast kaugemal. Ärge eemaldage lõikematerjali ega hoidke sellest kinni, kui lõiketerad liiguvad. Lõiketerad liiguvad edasi ka pärast seda, kui seade välja lülitatakse. Üks hetk tähelepanematust hekilõikuriga töötamisel võib põhjustada tõsiseid vigastusi.
2. Kandke hekilõikurit käepidemest, nii et lõiketera on peatunud, ning jälgige, et te ei vajutaks toitelülitile. Hekilõikuri õige kandmine vähendab juhusliku käivitamise ohu ja sellega lõiketeradest põhjustatud vigastusi.
3. Hekilõikuri transportimise või hoivulepaneku ajaks peab lõiketera alati katma. Hekilõikuri õigesti käsitlemine vähendab lõiketeradest põhjustatud vigastuste ohu.
4. Kinnijäänud materjali eemaldamisel või seadme hooldamisel veenduge, et kõik toitelülid oleks välja lülitatud ning akupakk oleks eemaldatud või lahti ühendatud. Hekilõikuri ootamatu käivitamine kinnijäänud materjali eemaldamisel või hooldamisel võib põhjustada tõsiseid vigastusi.
5. Hoidke hekilõikurit ainult isoleeritud haardepindadest, sest lõiketera võib sattuda kokkupuutesse varjatud juhtmetega. Terade kokkupuutel võrguga ühendatud elektrijuhtmetega võivad paljustada hekilõikuri metallosad, mille tulemusel võib operaator saada elektrilöögi.
6. Hoidke kõik toitejuhtmed ja kaablid lõikamisalast eemal. Toitejuhtmed või kaablid võivad hekkides või põsastes peidus olla ning lõiketera võib need kogemata läbi lõigata.
7. Vältige hekilõikuri kasutamist halva ilmaga, eriti kui valitseb äikeseohu. Sellega vähendate pikselöögi ohtu.
8. Elektrivooluga hukkumise ohu vähendamiseks ärge kasutage teleskoopvarrega hekilõikurit mitte kunagi elektriliinide lähedal. Elektriliinidega kokkupuutumine või nende lähedal hekilõikuri kasutamine võib põhjustada tõsiseid vigastusi või surmaga lõppevat elektrilööki.
9. Hekilõikuriga töötamisel kasutage alati kahte kätt. Hoidke teleskoopvarrega hekilõikurit mõlema käega, et kontrolli mitte kaotada.
10. Hekilõikuriga pea kohal töötamisel kasutage alati peakaitset. Langev praht võib põhjustada tõsiseid vigastusi.

Lisaohutusnõuded

Ettevalmistus

1. HEKILÕIKUR VÕIB PÕHJUSTADA TÕSISEID VIGASTUSI. Lugege tähelepanelikult juhiseid, kuidas tööriista käsitleda, ette valmistada, hooldada, käivitada ja seisata. Õppige põhjalikult tundma tööriista juhtseadiseid ja õiget kasutamist.
2. Enne tööriista kasutamist kontrollige hekke ja põsaid seoses võõrkehadega, näiteks traataid või varjatud juhtmed.

3. Lastel ja alla 18-aastastel noortel on hekitrimmeri kasutamine keelatud. Üle 16-aastased noored võivad olla nimetatud piirangust vabastatud, kui nad läbivad vastava väljaõppe asjatundja juhendamisel.
4. Hädaolukorras lülitage tööriist viivitamatult välja ja eemaldage kohe akukassett.
5. OHT - Hoidke käed terast eemal. Teraga kokkupuutumine võib põhjustada raske kehavigastuse.
6. Algajate peaks kogenud hekilõikuri kasutaja õpetama, kuidas tööriista kasutada.
7. Enne töö alustamist uurige, kas tööpiirkonnas leidub traataedu, kive või muid kõvasid esemeid. Need võivad lõiketeri kahjustada.
8. Kasutage hekitrimmerit vaid siis, kui olete heas füüsilises vormis. Teie tähelepanuvõime väheneb, kui olete väsinud. Olge eriti ettevaatlik tööpäeva lõpul. Töötage alati rahulikult ja ettevaatlikult. Kasutaja on vastutav kõigi kolmandatele osapooltele põhjustatud kahjude eest.
9. Enne tööle asumist veenduge, et trimmer oleks heas töokorras ja turvaline. Veenduge, et kaitseme oleks korralikult kinnitatud. Hekitrimmerit ei tohi kasutada, kui see pole täielikult kokku pandud.
10. Vältige ohtlikke piirkondi. Ärge kasutage seadet niisketes või märgades kohtades ega jätke seda vihma kätte. Seadmesse sisse sattunud vesi suurendab elektrilöögi ohtu.

Isikukaitsevahendid

1. Tugevast nahast töökindad on osa põhivarustusest ja neid tuleb hekitrimmerit kasutades alati kanda. Samuti kandke vastupidavaid libisemisvastase tallaga jalanõusid.
2. Kandke kuulmiskaitsevahendeid, näiteks kõrvatroppesid, et vältida kuulmiskadu.
3. Kandke kaitseprille, -kiivrit ja -kindaid, et kaitsta ennast lendava prahi või kukkuvate esemete eest.
4. Lõiketerade puudutamisel või lõiketera nurga reguleerimisel kandke kaitsekindaid. Terad võivad teha kaitsemata kättesse sügavaid sisselõikeid.

Kasutamine

1. Tööriistaga töötamisel kasutage alati kahte kätt. Ühe käega töötamine võib põhjustada kontrolli kadumist ja raskeid vigastusi.
2. Tööriista kasutamisel veenduge alati, et tööasend oleks ohutu ja turvaline. Tööriistaga liigne upitamine, eriti redelil, on väga ohtlik. Ärge töötage kõikuval või ebakindlal alusel.
3. Tööriistaga töötamisel ärge kandke korraga mitmeid vöö- ja/või õlarakmeid.
4. Jälgige, et kõrvalised isikud ja loomad jääksid töötamise ajal seadmeist vähemalt 15 m kaugusele. Seisake seade kohe, kui keegi teile läheneb.
5. Kui lõiketeri lähed mingi eseme vastu või tööriist hakkab tegema ebatavalist häält või vibreerima, lülitage tööriist välja, eemaldage kohe akukassett ja laske tööriistal seiskuda. Seejärel tehke järgmised toimingud:
 - kontrollige kahjustuste olemasolu;
 - kontrollige osade pingust ja pinguldage lahtised osad;

- laske kahjustatud osad originaalvaruosadega asendada või parandada.
6. Kasutage tööriista ainult ettenähtud otstarbel. Ärge kasutage tööriista mingil muul otstarbel.
 7. Lülitage tööriist välja ja eemaldage akukassett, enne kui:
 - puhastate või eemaldate ummistust;
 - kontrollite, hooldate tööriista või nokitsete selle kallal;
 - reguleerite lõiketerade tööasendit;
 - jätate tööriista valveta.
 8. Enne tööriista käivitamist veenduge, et see oleks korrektselt ettenähtud tööasendis.
 9. Ärge kasutage tööriista kahjustatud või väga kulunud lõiketeradega.
 10. Jälgige alati oma ümbrust ja pange tähele võimalikke ohtusid, mida te tööriista müra tõttu ei pruugi märgata.
 11. Olge töötamise ajal ettevaatlik, et tööriist ei puutuks kokku metalliaia ega mõne muu kõva esemega. Tera võib murduda ja põhjustada tõsiseid vigastusi.
 12. Vältige juhukäivitust. Ärge kandke tööriista, kui akukassett on paigaldatud või kui sõrm on lülitil. Akukasseti paigaldamisel veenduge, et tööriist oleks välja lülitatud.
 13. Tööriista töstes või hoides ärge haarake kinni katmata lõiketeradest või -servadest.
 14. Ärge rakendage tööriista kasutamisel jõudu. Seadmele ettenähtud töökiirusel toimib seade paremini ja vigastuste tõenäosus on väiksem.
 15. Ärge kasutage tööriista vihmaga ega märgades ja väga niisketes tingimustes. Elektrimootor pole veekindel.
 16. Töötades hoidke tööriista kindlalt käes.
 17. Ärge käitage tööriista tarbetult koormamata olekus.
 18. Lülitage tööriist enne lõiketerade kontrollimist, tõrgete eemaldamist või lõiketerasse kiilunud esemete eemaldamist alati välja ja eemaldage akukassett.
 19. Ärge kunagi suunake lõiketerasid enda ega teiste poole.
 20. Kui terad ei liigu, kuna nende vahele on töö ajal jäänud võõrkehade, lülitage tööriist välja, eemaldage akukassett ja seejärel eemaldage võõrkehade sobivate tööriistadega (nt näpitsatega). Võõrkehade käsitsi eemaldamisel võib käsi saada vigastusi, kui terad võõrkehade eemaldamisel liiguvad.
 21. Lõiketera katte kinnitamisel ja eemaldamisel olge ettevaatlik, et te oma käsi ei vigastaks.

Elektrihohtus ja aku ohutu talitlus

1. Vältige ohtlikku keskkonda. Ärge kasutage seadet niisketes või märgades kohtades ega jätke seda vihma kätte. Seadme sisse sattunud vesi suurendab elektrilöögiohtu.
2. Ärge visake kasutatud akut (akusid) tulle. Element võib plahvatada. Kasutatud akude käitlemise võimalikud erinõuded leiate kohalikest eeskirjadest.
3. Akut (akusid) ei tohi avada ega kahjustada. Väljavalgunud elektrolüüt on söövitava toimega ning võib kahjustada silmi ja nahka. See võib osutada allaneelamisel mürgiseks.

4. Ärge laadige akut vihma käes ega märjas keskkonnas.
5. Ärge laadige akut välitingimustes.
6. Ärge käsitage laadurit, sh laaduri pistikut ja laadimisterminalle märgede kätega.

Hooldus ja hoiundamine

1. Kui tööriista on vaja hooldada, üle vaadata või hoitudada, lülitage tööriist välja, eemaldage akukassett ja veenduge, et kõik liikuvad osad oleks seiskunud. Enne ülevaastust, reguleerimist jms laske tööriistal jahtuda.
2. Laske tööriistal enne hoiundamist alati maha jahtuda.
3. Kui tööriista ei kasutata, kinnitage terakate tööriistale ning pange tööriist hoiule kuiva ja kõrgel asuvale lukustatud kohta, kuhu lapsed ligi ei pääse.
4. Hoidke oma tööriista alati korras. Parima jõudluse tagamiseks ja vigastusohu vähendamiseks hoidke lõikeserv terava ja puhtana. Järgige õlitamist ja tarvikute vahetamist puudutavaid juhtnõude. Hoidke käepidemed kuivad, puhtad ning õli- ja rasvavabad.
5. Kontrollige kahjustatud osi. Enne tööriista edasist kasutamist tuleb hoolikalt kontrollida kahjustatud osi, et teha kindlaks, kas tööriist töötab edaspidi nõuetekohaselt ja täidab oma sihtotstarvet. Kontrollige liikuvate osade joondumist, liikuvate osade kokkujooksu, purunenud osi, osade paigaldust ja muid tingimusi, mis võivad mõjutada tolmuimeja funktsioneerimist. Kahjustatud kaitse või muu osa tuleb nõuetekohaselt parandada või vahetada välja volitatud hoolduskeskuses.
6. Kasutage ainult originaalvaruosi.
7. Tööriista asukoha muutmisel, ka töötamise ajal, eemaldage alati akukassett ja paigaldage lõiketeradele terakate. Ärge kandke ega transportige tööriista kunagi nii, et lõiketerad töötavad. Ärge haarake lõiketeradest kunagi kätega.
8. Enne tööriista pikemaks ajaks hoiulepanekut ja pärast iga kasutatud puhastage tööriist ja eriti lõiketerad. Õlitage kergelt lõiketerasid ja pange terakate peale.
9. Ärge visake kasutatud akut (akusid) tulle. Element võib plahvatada. Kasutatud akude käitlemise võimalikud erinõuded leiate vastavasisulistest kohalikest eeskirjadest.
10. Akut (akusid) ei tohi avada ega vigastada. Väljavalgunud elektrolüüt on söövitava toimega ning võib kahjustada silmi ja nahka. See võib osutada allaneelamisel mürgiseks.
11. Ärge laadige akut vihma käes ega märjas keskkonnas.

HOIDKE JUHEND ALLES.

⚠️ HOIATUS: ÄRGE UNUSTAGE järgida toote ohutusnõudeid mugavuse või toote (korduskasutamise)ga saavutatud hea tundmise tõttu. VALE KASUTUS või kasutusjuhendi ohutuseeskirjade eiramine võib põhjustada tervisekahjustusi.

OSADE KIRJELDUS

- **Joon.1:** 1. Lõiketera kate 2. Nurga reguleerimise pide 3. Kate 4. Lõiketerad 5. Liughoob 6. Eesmine käepide

KOKKUPANEK

▲HOIATUS: Enne seadme kokkupanemist või reguleerimist lülitage mootor välja ja eemaldage akukassett. Muidu võib masin tahtmatult käivituda ja vigastusi põhjustada.

▲HOIATUS: Seadet kokku pannes või reguleerides asetage seade alati maha. Seadme püstises asendis kokkupanemine või reguleerimine võib põhjustada raske kehavigastuse.

▲HOIATUS: Järgige peatükis OHUTUSHOIATUSED ja mootorseadme kasutusjuhendis toodud hoiatusi ja ettevaatusabinõusid.

Tarviku kokkupanemine

1. Eemaldage tarvikult kate.
► **Joon.2:** 1. Kate
2. Asetage toru tarvikusse nii, et torul olev ava oleks kohakuti tarvikul oleva avaga. Toru kinnitamiseks keerake kõigepealt tugevalt kinni lühike polt ja seejärel pikk polt.
► **Joon.3:** 1. Ava 2. Toru 3. Polt (lühike) 4. Polt (pikk)

MÄRKUS: Poltide kinnikeeramisel kasutage 4,0–6,0 N·m pingutusmomenti.

Liititoru monteerimine

▲ETTEVAATUST: Kontrollige alati, kas paigaldusvarras on korralikult paigaldatud. Ebaõige paigaldamine võib põhjustada tarviku mootorseadme küljest ärakukkumist ja põhjustada kehavigastusi.

Kinnitage liititoru mootorseadmele.

1. Eemaldage toru otsast kork.
► **Joon.4:** 1. Toru 2. Kork

TÄHELEPANU: Äрге visake korki ära, sest see on vajalik tarviku hoidmiseks.

2. Pöörake hooba tarviku suunas.
► **Joon.5:** 1. Hoob
3. Joondage tihvt mootorseadmel asuva noolemärgiga. Sisestage toru, kuni vabastusnupp hüppab üles. Veenduge, et asendijoon asuks mootorseadmel asuva noolemärgi otsas ning et mootorseadmel asuv noolemärk ja torul asuv noolemärk oleksid teineteise vastas.
► **Joon.6:** 1. Vabastusnupp 2. Mootorseadmel asuv noolemärk 3. Tihvt 4. Asendijoon 5. Torul asuv noolemärk
4. Pöörake hooba mootorseadme suunas.
► **Joon.7:** 1. Hoob

Veenduge, et hooba pind oleks toruga paralleelne.

TÄHELEPANU: Äрге pingutage hooba, ilma et tarviku varras oleks sisestatud. Selle eiramisel võib hoob veovõlli sissepääsu liialt pingutada ja seda kahjustada.

Toru eemaldamiseks pöörake hooba tarviku suunas ja tõmmake toru välja, vajutades vabastusnuppu samal ajal alla.

- **Joon.8:** 1. Vabastusnupp 2. Hoob 3. Toru

Lõiketerade paigaldamine või eemaldamine

▲ETTEVAATUST: Lõiketerade paigaldamisel kandke alati kindaid ja olge ettevaatlik, et käed ei satuks teraga otsesesse kontakti.

▲ETTEVAATUST: Paigaldage enne lõiketerade eemaldamist või paigaldamist terakate.

TÄHELEPANU: Lõiketerade vahetamise äрге pühkige vändalt märet maha.

MÄRKUS: Enne lõiketerade paigaldamist või eemaldamist võtke tarvik lahti, nii et see oleks toru suhtes sirgelt.

1. Kinnitage lõiketera kate lõiketeradele.
► **Joon.9:** 1. Lõiketera kate
2. Pange tarvik tagurpidi.
3. Eemaldage kuuskantvõtmega 4 polti ning eemaldage kate ja plaat (suur).
► **Joon.10:** 1. Polt 2. Kate 3. Plaat (suur)
4. Keerake vända lapikkruvikeerajaga, nii et vânt oleks joonisel näidatud suunas.
► **Joon.11:** 1. Vânt
5. Eemaldage 2 polti.
► **Joon.12:** 1. Polt
6. Eemaldage villapolster (lühike), villapolster (pikk), plaat (väike) ja hülsid.
► **Joon.13:** 1. Villapolster (lühike) 2. Villapolster (pikk) 3. Plaat (väike) 4. Hüls
7. Eemaldage tarvikult lõiketerad.
► **Joon.14**
8. Eemaldage terakate ja kinnitage see siis uutele lõiketeradele.
9. Eemaldage lõiketeradelt tolmukate ja kinnitage see seejärel joonisel näidatud asendis uutele lõiketeradele.
► **Joon.15:** 1. Tolmukate
10. Sisestage 5. sammus eemaldatud polt lõiketeradel olevasse avasse läbi lõiketera kattes oleva ava.
► **Joon.16:** 1. Ava 2. Polt
11. Kandke väike kogus märet vända servadele. Kinnitage tarvikule lõiketerad.
► **Joon.17**
12. Kinnitage hülsid, plaat (väike) lõiketeradele ja seejärel keerake polt kinni.
► **Joon.18:** 1. Polt 2. Plaat (väike) 3. Hüls
13. Eemaldage 10. sammus lõiketeradel olevasse avasse sisestatud polt ja keerake see seejärel lõiketerade fikseerimiseks kinni.

14. Kinnitage villapolster (lühike) ja villapolster (pikk).
▶ **Joon.19:** 1. Villapolster (lühike) 2. Villapolster (pikk)

15. Kinnitage plaat (suur) ja kate ning seejärel pingutage neli polti.
▶ **Joon.20:** 1. Polt 2. Kate 3. Plaat (suur)

TÄHELEPANU: Kui lõiketerad ei tööta korralikult, ei haaku terad vändaga õigesti. Eemaldage terad ja paigaldage need uuesti.

TÄHELEPANU: Kui lõiketeradest erinevad osad (näiteks vänt) on kulunud, küsige Makita ametlikust teeninduskeskusest varuosi või laske neil teha parandustööd.

FUNKTSIONAALNE KIRJELDUS

⚠ETTEVAATUST: Kandke alati hoolt selle eest, et tööriist oleks enne reguleerimist ja kontrollimist välja lülitatud ja akukassett eemaldatud.

Lõikenurga reguleerimine

⚠ETTEVAATUST: Enne lõikenurga reguleerimist lülitage tööriist alati välja.

Peaosa nurka saab reguleerida 13 sammuga. Peaosa nurga muutmiseks järgige allolevaid samme.

1. Hoidke nurga reguleerimise pidemest kinni ja seejärel reguleerige peaosa nurka, tõmmates samal ajal liughooba, ning siis laske liughoob lahti.

▶ **Joon.21:** 1. Liughoob 2. Nurga reguleerimise pide

2. Liigutage kergelt peaosa, kuni see klõpsuga lukustub.

MÄRKUS: Enne tööriista kasutamist veenduge, et peaosa oleks korralikult lukustunud.

TÖÖRIISTA KASUTAMINE

⚠HOIATUS: Järgige peatükis OHUTUSHOIATUSED ja mootorseadme kasutusjuhendis toodud hoiatusi ja ettevaatusabinõusid.

Tööriista kasutamine

⚠HOIATUS: Ärge kasutage tööriista elektriliinide lähedal. Elektriliinidega kokkupuutumine või tööriista elektriliinide lähedal kasutamine võib põhjustada tõsiseid vigastusi või surmaga lõppevat elektrilööki.

⚠HOIATUS: Hoidke käed lõiketeradest eemal.

⚠HOIATUS: Olge äärmiselt ettevaatlik ja tagage tööriista üle alati kontroll. Ärge laske tööriistal kalduda enda ega kellegi teise läheduses viibiva isiku poole. Kontrolli kaotamine tööriista üle võib põhjustada kõrvalseisjale ja operaatorile tõsise kehavigastuse.

⚠ETTEVAATUST: Vältige nii palju kui võimalik tööriista kasutamist väga kuumas ilmas. Pidage tööriista kasutamisel silmas oma füüsilist vormi.

⚠ETTEVAATUST: Olge lõigates ettevaatlik, et trimmer ei satuks kontakti metalliaia ega mõne muu kõva esemega. Lõiketerad võivad puruneda ja põhjustada kehavigastusi.

⚠ETTEVAATUST: Olge ettevaatlik, et lõiketerad ei puutuks vastu maad. Tööriist võib tagasi lüüa ja põhjustada kehavigastusi.

⚠ETTEVAATUST: Liigne upitamine hekitrimmeriga, eriti redeliit, on väga ohtlik. Ärge töötaga, kui seisate kõikuval ega ebakindlal pinnal.

TÄHELEPANU: Ärge püüdke tööriistaga lõigata jämedamaid oksa kui 10 mm. Lõigake enne tööriista kasutamist oksad oksalõikuriga lõikekõrgusest kuni 10 cm madalamaks.

▶ **Joon.22:** (1) Lõikekõrgus (2) 10 cm

TÄHELEPANU: Ärge lõigake maha surnud puid ega sarnaseid kõvasid asju. See võib kahjustada tööriista.

TÄHELEPANU: Rohtu ega umbrohtu ei tohi lõiketeradega lõigata. Lõiketerad võivad rohtu või umbrohtu takerduda.

Hoidke tööriista kahe käega mootorseadme eesmisest käepidemest või tarviku eesmisest käepidemest ja mootorseadme tagumisest käepidemest.

▶ **Joon.23:** 1. Eesmine käepide 2. Tagumine käepide

Vajutage lukust avamise hoova vajutamiseks samal ajal lüliti päästikut ja liigutage tööriista ettepoole.

▶ **Joon.24**

Tavakasutuseks kallutage lõiketerasid lõikesuunas ning liigutage tööriista rahulikult ja aeglaselt kiirusega 3 kuni 4 sekundit meetri kohta.

▶ **Joon.25**

Heki ühtlaselt lõikamiseks külgelt lõigake seda alt üles.

▶ **Joon.26**

Kui soovite lõigata ümarat kaju (pukspuu, rododendron), lõigake kauni tulemuse saamiseks alt üles.

▶ **Joon.27**

HOOLDUS

⚠HOIATUS: Enne seadme kontrollimist või hooldamist lülitage mootor välja ja eemaldage akukassett. Muidu võib masin tahtmatult käivituda ja raskeid vigastusi põhjustada.

⚠HOIATUS: Seadet kontrollides või hooldades asetage seade alati maha. Seadme püstises asendis kokkupanemine või reguleerimine võib põhjustada raske kehavigastuse.

⚠HOIATUS: Järgige peatükis OHUTUSHOIATUSED ja mootorseadme kasutusjuhendis toodud hoiatusi ja ettevaatusabinõusid.

⚠ETTEVAATUST: Kandke kontrollimise või hooldamise ajal kaitsekindaid.

TÄHELEPANU: Äрге kunagi kasutage bensiini, vedeldit, alkoholi ega midagi muud sarnast. Selle tulemuseks võib olla luitumine, deformatsioon või pragunemine.

Toote OHUTUSE ja TÖÖKINDLUSE tagamiseks tuleb vajalikud remonttööd ning muud hooldus- ja reguleerimistööd lasta teha Makita volitatud teeninduskeskustes või tehase teeninduskeskustes. Alati tuleb kasutada Makita varuosi.

Tööriista puhastamine

Tööriista puhastamiseks pühkige sellelt kuiva või seebi- vette kastetud ja välja väänatud lapiga tolm.

TÄHELEPANU: Äрге kunagi kasutage bensiini, vedeldit, alkoholi ega midagi muud sarnast. Selle tulemuseks võib olla luitumine, deformatsioon või pragunemine.

Lõiketera hooldamine

Enne tööle asumist või töö käigus kord tunnis kandke lõiketeradele väikese viskoossusega õli (masinaõli või pihustatav määrdõli).

► Joon.28

Pärast kasutamist eemaldage lõiketerade mõlemalt küljelt traatharjaga tolm, pühkige see lapiga ära ja seejärel kandke teradele väikese viskoossusega õli (masinaõli või pihustatav määrdõli).

► Joon.29

TÄHELEPANU: Äрге peske lõiketerasid vees. Eiramise korral võib tööriist roostetada või viga saada.

TÄHELEPANU: Mustus ja korrosioon põhjustavad terade ülemäärast hõõrdumist ning lühendavad tööaega aku laadimiskorra kohta.

Hoiustamine

Kinnitage terakate lõiketeradele nii, et terad ei paistaks välja. Hoidke tööriista lastele kättesaamatus kohas. Hoidke tööriista kohas, kuhu ei pääse niiskust ega vihma. Mootorseadmelt eraldatud tarviku hoiustamisel asetage toruotsale kork.

► Joon.30

Liikuvate osade määrimine

TÄHELEPANU: Järgige määrdede koguse ja määrimissageduse juhiseid. Selle eiramisel võib ebapiisav määrimine liikuvaid osi kahjustada.

Veovõll:

Lisage määrdainet (Makita määrdaine N No.2 või samaväärtne) iga 30 töötunni järel.

► Joon.31

MÄRKUS: Makita originaalmääret saate osta kohaliku Makita müügiesindaja käest.

Määrimine

Määrimise intervall: Iga 25 töötunni järel

1. Eemaldage määrimiseks polt august.

► Joon.32: 1. Polt

2. Eemaldage määrdainema kork. Viige määrdainema väljastusava kattes oleva avaga kohakuti ja keerake seejärel määrdainemat, et selle väljastusava kinnitusk avale.

► Joon.33: 1. Aluse määrimine 2. Ava

3. Määrige tööriista (ligikaudu 3 g juhendi järgi).

4. Eemaldage määrimisanum.

5. Pingutage polte.

Lõiketerade teritamine

TÄHELEPANU: Kui lõiketerad on kasutamise tulemusena tunduvalt deformeerunud, vahetage lõiketerad uute vastu.

1. Paigaldage akukassett tööriista külge.

2. Lülitage tööriist sisse ja käivitage see nii, et ülemine ja alumine tera paikneksid vaheldumisi.

► Joon.34

3. Lülitage tööriist välja ja eemaldage sellest akukassett.

4. Seadke viili nurgaks 45° ja ihuge ülemist lõiketera viiliga kolmest suunast.

► Joon.35: (1) Viil (2) 45°

⚠ETTEVAATUST: Enne lõiketera viilimist kandke alati hoolt selle eest, et tööriist oleks välja lülitatud ja akukassett eemaldatud.

5. Asetage tööriist tagurpidi ja seejärel eemaldage lihvimiskiviga lõiketeradelt ebatasasused.

► Joon.36: 1. Lihvimiskivi

6. Seadke viili nurgaks 45° ja ihuge alumist lõiketera viiliga kolmest suunast.

7. Asetage tööriist tavaasendisse ja seejärel eemaldage lihvimiskiviga lõiketeradelt ebatasasused.

VEAOTSING

Enne remonditöökotta pöördumist kontrollige niidukit ise. Ärge üritage niidukit lahti võtta, kui leiata probleemi, mida kasutusjuhendis ei kirjeldata. Selle asemel pöörduge Makita volitatud teeninduskeskusesse, kus kasutatakse remon-
timisel alati Makita tagavaraosi.

Tõrge	Võimalik põhjus (riike)	Lahendus
Mootor ei käivitu.	-	Vt mootorseadme kasutusjuhendit.
Mootor seiskub mõne aja pärast.	-	Vt mootorseadme kasutusjuhendit.
Mootori kiirus ei tõuse.	-	Vt mootorseadme kasutusjuhendit.
Lõiketerad ei liigu: ⇒ seisake masin viivitamatult!	Lõiketerade vahele on jäänud võõrkehi.	Lülitage tööriist välja, eemaldage akukassett ja seejärel eemaldage nt tangidega võõrkehad.
	Veosüsteem ei tööta korralikult.	Paluge volitatud teeninduskeskuses teha parandustööd.
Ebatavaline vibratsioon: ⇒ seisake masin viivitamatult!	Lõiketerad on murdunud, painutatud või kulunud.	Vahetage lõiketerad.
	Veosüsteem ei tööta korralikult.	Paluge volitatud teeninduskeskuses teha parandustööd.
Lõiketerad ja mootor ei seisku: ⇒ eemaldage viivitamatult aku!	elektriline riike.	Eemaldage aku ja paluge kohalikul ametlikul teeninduskeskusel tööriist remontida.

VALIKULISED TARIKUD

⚠ETTEVAATUST: Neid tarvikuid ja lisaseadmeid on soovitatav kasutada koos Makita masinaga, mille kasutamist selles kasutusjuhendis kirjeldatakse. Muude tarvikute ja lisaseadmete kasutamisega võib kaasneda vigastusoht. Kasutage tarvikuid ja lisaseadmeid ainult otstarbekohaselt.

Saate vajaduse korral kohalikust Makita teeninduskeskusest lisateavet nende tarvikute kohta.

- Lõiketera koost
- Aluse määrimine
- Makita algupärane aku ja laadija

MÄRKUS: Mõned nimekirjas loetletud tarvikud võivad olla lisatud põhivarustusena toote pakendisse. Need võivad riigiti erineda.

DANE TECHNICZNE

Model:	EN402MP
Długość ostrza	500 mm
Długość całkowita	1444 mm
Masa netto	2,4 kg

- W związku ze stale prowadzonym przez naszą firmę programem badawczo-rozwojowym niniejsze dane mogą ulec zmianom bez wcześniejszego powiadomienia.
- Dane techniczne mogą różnić się w zależności od kraju.

Zatwierdzona jednostka napędowa

Przyrządu można używać wyłącznie z poniższymi jednostkami napędowymi:

- Bezprzewodowa Wielofunkcyjna Jednostka Napędowa DUX60
- Bezprzewodowa Wielofunkcyjna Jednostka Napędowa DUX18
- Bezprzewodowa Wielofunkcyjna Jednostka Napędowa UX01G

! OSTRZEŻENIE: Nie wolno używać przyrządu z niezatwierdzoną jednostką napędową. Korzystanie z niezatwierdzonej jednostki napędowej może spowodować poważne obrażenia.

Symbol

Poniżej pokazano symbole, jakie mogą być zastosowane na urządzeniu. Przed rozpoczęciem użytkowania należy zapoznać się z ich znaczeniem.



Przeczytać instrukcję obsługi i stosować się do zaleceń.



NIEBEZPIECZEŃSTWO — Nie zbliżać rąk do ostrza.



Uważać na przewody elektryczne. Ryzyko porażenia prądem.



Nosić kask oraz okulary ochronne i ochronniki słuchu.



Nosić rękawice ochronne.



Nosić wytrzymałe obuwie robocze na podszwie antypoślizgowej.



Osoby postronne i zwierzęta powinny znajdować się w odległości co najmniej 15 m (50 stóp) od elektronarzędzia.



Osoby trzecie i zwierzęta powinny znajdować się poza obszarem pracy.



Gwarantowany poziom mocy akustycznej zgodnie z dyrektywą UE w sprawie hałasu na zewnątrz.



Poziom mocy akustycznej zgodnie z australijskimi przepisami dot. redukcji hałasu dla Nowej Południowej Walii

Przeznaczenie

Przyrządu można używać wyłącznie do przycinania żywopłotów w połączeniu z zatwierdzoną jednostką napędową. Nigdy nie używać tego przyrządu do innych celów. Nieprawidłowe korzystanie z przyrządu może doprowadzić do poważnych obrażeń.

Deklaracja zgodności WE

Dotyczy tylko krajów europejskich

Jako producenci: **Makita Europe N.V.**, adres firmy: **Jan-Baptist Vinkstraat 2 3070 Kortenberg, BELGIA**. Upoważniamy **Hiroshi Tsujimura** do przygotowania dokumentacji technicznej i na własną odpowiedzialność oświadczamy, że produkty:
Oznaczenie: **Przyrząd Do Cięcia Żywopłotu**.
Oznaczenie typu: **EN402MP**.
Spełnia wszystkie odpowiednie postanowienia dyrektywy **2006/42/WE**, jak również spełnia wszystkie odpowiednie postanowienia następujących dyrektyw WE/UE: **2000/14/WE** i są produkowane w sposób zgodny z następującymi normami zharmonizowanymi: **EN62841-1:2015, EN 62841-4-2:2019, EN ISO 11806-1:2011**.
Miejsce i data deklaracji: **Kortenberg, Belgia. 20. 12. 2022**

Osoba odpowiedzialna: **Hiroshi Tsujimura, Dyrektor**
— **Makita Europe N.V.**

OSTRZEŻENIA DOTYCZĄCE BEZPIECZEŃSTWA

Ostrzeżenia dotyczące bezpieczeństwa dla akumulatorowych nożyc do żywoplotu na wysięgniku

1. **Nie wolno zbliżać żadnych części ciała do ostrza.** Ciężego materiału nie wolno usuwać ani przytrzymywać, kiedy ostrza są w ruchu. Ostrza poruszają się nawet po wyłączeniu narzędzia za pomocą przełącznika. Moment nieuwagi podczas pracy z nożycami do żywoplotu może spowodować poważne obrażenia ciała.
2. **Nożyce do żywoplotu przenosić za pomocą uchwytu po zatrzymaniu ostrza, zachowując ostrożność, aby nie nacisnąć żadnego przełącznika zasilania.** Prawidłowe przenoszenie nożyc do żywoplotu zmniejszy ryzyko przypadkowego uruchomienia i obrażeń ciała spowodowanych przez ostrza.
3. **Podczas transportu lub przechowywania nożyc do żywoplotu zawsze należy założyć osłonę na ostrze.** Prawidłowe postępowanie z nożycami do żywoplotu zmniejszy ryzyko obrażeń ciała spowodowanych przez ostrza.
4. **Podczas usuwania zakleszczonego materiału lub serwisowania urządzenia należy się upewnić, czy wszystkie przełączniki zasilania są wyłączone i czy akumulator został wyjęty lub odłączony.** Nieoczekiwane aktywowanie nożyc do żywoplotu podczas usuwania zakleszczonego materiału lub serwisowania może doprowadzić do poważnych obrażeń ciała.
5. **Ponieważ ostrze może zetknąć się z ukrytymi przewodami elektrycznymi, nożyce do żywoplotu należy trzymać tylko za izolowane uchwyty.** Zetknięcie ostrzy z przewodem elektrycznym znajdującym się pod napięciem spowoduje, że odsłonięte elementy metalowe nożyc do żywoplotu również znajdą się pod napięciem, stwarzając ryzyko porażenia operatorem prądem elektrycznym.
6. **Nie należy zbliżać przewodów zasilających ani innych przewodów do obszaru cięcia.** Przewody zasilające lub inne przewody mogą być ukryte w żywoplotcie lub krzewach i mogą zostać przypadkowo przecięte przez ostrze.
7. **Nie należy używać nożyc do żywoplotu przy złej pogodzie, w szczególności, jeśli istnieje ryzyko wyładowań atmosferycznych.** Dzięki temu zmniejszy się ryzyko porażenia piorunem.
8. **Aby zmniejszyć ryzyko porażenia prądem, nigdy nie należy używać nożyc do żywoplotu na wysięgniku w pobliżu linii energetycznych.** Kontakt z liniami energetycznymi lub użycie narzędzia w pobliżu takich linii może spowodować poważne obrażenia ciała lub śmierć w wyniku porażenia elektrycznego.

9. **Nożyce do żywoplotu na wysięgniku należy zawsze obsługiwać oburącz.** Przytrzymuj nożyce do żywoplotu na wysięgniku obiema rękami, aby uniknąć utraty kontroli.
10. **Podczas korzystania z nożyc do żywoplotu na wysięgniku zawsze należy nosić ochronę głowy.** Spadające odpadki mogą spowodować poważne obrażenia ciała.

Dodatkowe zalecenia dotyczące bezpieczeństwa

Przygotowanie

1. **NOŻYCE DO ŻYWOPLÓTU MOGĄ SPOWODOWAĆ POWAŻNE OBRAŻENIA CIAŁA.** Należy dokładnie zapoznać się z instrukcjami objaśniającymi sposób prawidłowej obsługi, przygotowania, konserwacji, uruchamiania i zatrzymywania narzędzia. Należy zapoznać się ze wszystkimi elementami sterowania i zasadami poprawnego użytkowania narzędzia.
2. **Przed uruchomieniem narzędzia należy sprawdzić, czy w żywoplotcie lub krzewach nie ma elementów takich jak ogrodzenia z drutu lub niewidoczne przewody elektryczne.**
3. **Dzieciom i młodzieży poniżej 18 roku życia nie wolno obsługiwać nożyc do żywoplotu.** Młode osoby powyżej 16 roku życia można wyłączyć z tego zastrzeżenia, jeżeli odbywają szkolenie pod nadzorem fachowca.
4. **W przypadku niebezpieczeństwa natychmiast wyłączyć narzędzie i wyjąć akumulator.**
5. **NIEBEZPIECZEŃSTWO - Nie wolno zbliżać rąk do ostrza.** Kontakt z ostrzem może spowodować poważne obrażenia ciała.
6. **Osoba mająca praktyczne doświadczenie z narzędziem powinna poinstruować użytkownika, który jeszcze z nim nie pracował.**
7. **Przed rozpoczęciem eksploatacji należy sprawdzić, czy w miejscu pracy nie ma drucianych ogrodzeń, kamieni lub innych obiektów.** Mogą one uszkodzić ostrza.
8. **Nożyce do żywoplotu powinny być używane tylko wtedy, gdy osoba ją obsługująca jest w odpowiedniej formie fizycznej.** W przypadku zmęczenia koncentracja operatora jest obniżona. Zachować szczególną ostrożność pod koniec dnia roboczego. Wszelkie czynności powinny być wykonywane spokojnie i ostrożnie. Użytkownik odpowiada za wszelkie szkody wyrządzone osobom trzecim.
9. **Przed rozpoczęciem pracy należy się upewnić, że nożyce są w dobrym i zapewniającym bezpieczeństwo stanie.** Należy sprawdzić, czy osłony są zamocowane prawidłowo. Nożyc do żywoplotu nie wolno używać, jeśli nie są całkowicie zmontowane.
10. **Unikać niebezpiecznych warunków pracy.** Nie wolno używać narzędzia w otoczeniu wilgotnym, mokrym ani narażać go na działanie deszczu. Woda, która dostanie się do wnętrza narzędzia, zwiększa ryzyko porażenia prądem elektrycznym.

Środki ochrony osobistej

1. Rękawice robocze z grubej skóry należą do podstawowego wyposażenia podczas pracy z nożycami do żywoplotu i zawsze należy je nosić. Należy też nosić mocne buty z antypoślizgowymi podeszwami.
2. Stosować odpowiednią ochronę słuchu, taką jak nauszniki, w celu zabezpieczenia słuchu przed uszkodzeniem.
3. Nosić okulary ochronne, kask bezpieczeństwa oraz rękawice ochronne w celu ochrony ciała przed odrzucanymi w powietrze odpadkami lub spadającymi przedmiotami.
4. Dotykając ostroży lub regulując kąt ostrza, nosić rękawice ochronne. Ostrza mogą poważnie zranić odsłonięte dłonie.

Obsługa

1. Narzędzie należy zawsze obsługiwać oburącz. Przytrzymywanie jedną ręką może doprowadzić do utraty kontroli i spowodować poważne obrażenia ciała.
2. Podczas używania narzędzia zawsze należy się upewnić, czy położenie robocze jest bezpieczne. Sięganie narzędziem zbyt daleko, zwłaszcza podczas pracy na drabinie, może być bardzo niebezpieczne. Podczas pracy nie wolno stać na niczym chwiejnym lub niestabilnym.
3. Podczas pracy z użyciem narzędzia nie należy jednocześnie nosić kilku szelek z paskiem i/lub szelek nośnych.
4. Podczas pracy z użyciem narzędzia należy zachować odległość co najmniej 15 m od osób postronnych i zwierząt. W przypadku zbliżania się osoby trzeciej wyłączyć narzędzie.
5. Jeśli narzędzie tnące uderzy w jakiś obiekt lub zacznie generować nietypowy dźwięk lub wibracje, należy niezwłocznie wyłączyć narzędzie, wyjąć akumulator i poczekać, aż narzędzie się zatrzyma. Następnie należy wykonać następujące kroki:
 - sprawdzić, czy nie doszło do uszkodzeń,
 - sprawdzić, czy nie doszło do poluzowania części, i w razie potrzeby dokręcić je,
 - wymienić lub naprawić uszkodzone części z użyciem oryginalnych części zamiennych.
6. Narzędzia należy używać tylko zgodnie z jego przeznaczeniem. Nie wolno używać narzędzia do żadnych innych celów.
7. Wyłączyć narzędzie i wyjąć z niego akumulator przed:
 - czyszczeniem lub podczas usuwania blokady,
 - sprawdzeniem, wykonaniem konserwacji lub wykonaniem innych prac związanych z narzędziem,
 - skorygowaniem położenia roboczego ostroży nożyc,
 - pozostawieniem narzędzia bez nadzoru.
8. Przed uruchomieniem narzędzia należy upewnić się, czy jest ono prawidłowo ustawione w określonym położeniu roboczym.

9. Nie uruchamiać narzędzia z uszkodzonymi lub nadmiernie zużytymi ostrzami nożyc.
10. Zawsze należy zwracać uwagę na otoczenie i zachować czujność wobec możliwych zagrożeń, o których może nie być wiadomo na skutek hałasu narzędzia.
11. Podczas pracy należy uważać, aby nie dotknąć metalowego ogrodzenia lub innych twardych przedmiotów. Ostrze może się złamać i spowodować poważne obrażenia ciała.
12. Unikać przypadkowego uruchomienia. Nie przenosić narzędzia z zamontowanym akumulatorem i palcem na przełączniku. Podczas zakładania akumulatora należy upewnić się, że przełącznik jest wyłączony.
13. Podczas podnoszenia lub przenoszenia narzędzia nigdy nie chwycić za nieosłonięte noże lub krawędzie tnące.
14. Nie przeciążać narzędzia. Będzie ono pracowało lepiej, a ryzyko spowodowania obrażeń będzie mniejsze podczas pracy z prędkością, dla której zostało zaprojektowane.
15. Narzędzia nie wolno używać podczas deszczu, kiedy występuje rosa ani w bardzo wilgotnych warunkach. Silnik elektryczny nie jest wodoodporny.
16. Narzędzie należy trzymać pewnie podczas pracy.
17. Nie należy bez potrzeby uruchamiać narzędzia bez obciążenia.
18. Przed sprawdzeniem ostroży nożyc, usunięciem uszkodzeń lub obiektów zablokowanych w ostrzach nożyc należy zawsze wyłączyć narzędzie i wyjąć akumulator.
19. Nigdy nie kierować ostroży nożyc w swoją stronę ani w stronę innych osób.
20. Jeśli podczas pracy ostrza przestaną się poruszać z powodu utknięcia między nimi przedmiotów obcych, należy wyłączyć narzędzie, wyjąć akumulator, a następnie usunąć przedmioty obce za pomocą odpowiednich narzędzi, takich jak szczytce. Wyjmowanie przedmiotów obcych dłonią grozi odniesieniem obrażeń, ponieważ ostrza mogą poruszyć się w reakcji na usunięcie przedmiotu obcego.
21. Podczas montowania i demontażu osłony ostroży należy zachować ostrożność, aby nie skaleczyć się w dłonie.

Zasady bezpieczeństwa dotyczące urządzeń elektrycznych i akumulatora

1. Unikać niebezpiecznych warunków pracy. Nie wolno używać narzędzia w otoczeniu wilgotnym, mokrym ani narażać go na działanie deszczu. Woda, która dostanie się do wnętrza narzędzia, zwiększa ryzyko porażenia prądem elektrycznym.
2. Nie wyrzucać akumulatorów do ognia. Ogniwo może eksplodować. Należy zapoznać się z obowiązującymi lokalnie przepisami, które określają specjalne wytyczne dotyczące utylizacji odpadów.
3. Nie wolno otwierać ani niszczyć akumulatorów. Uwolniony elektrolit jest substancją żrącą, która może spowodować uszkodzenie oczu lub skóry. W przypadku połknięcia może być trujący.

4. Akumulatora nie należy ładować w deszczu ani w wilgotnym otoczeniu.
5. Nie ładować akumulatora na zewnątrz.
6. Nie dotykać ładowarki, w tym jej wtyczki i styków, mokrymi rękami.

Konserwacja i przechowywanie

1. Jeśli narzędzie ma zostać zatrzymane w celu przeprowadzenia serwisu, przeglądu lub przekazania do magazynowania, należy je wyłączyć i wyjąć akumulator, a następnie upewnić się, czy wszystkie części ruchome się zatrzymały. Przed rozpoczęciem przeglądów, regulacji itp. należy pozostawić narzędzie do ostygnięcia.
2. Przed schowaniem narzędzia należy zawsze odczekać, aż ostygnie.
3. Jeśli narzędzie nie jest używane, należy zamocować osłonę ostrza i schować narzędzie w suchym pomieszczeniu, w wysoko położonym, zamkniętym i niedostępnym dla dzieci miejscu.
4. Starannie wykonywać czynności konserwacyjne. Krawędź tnąca powinna być ostra i czysta, co zapewni największą wydajność i zredukuje ryzyko obrażeń. Przestrzegać instrukcji smarowania i wymiany akcesoriów. Utrzymywać rękojeści suche, czyste i niezabrudzone olejem ani smarem.
5. Sprawdzić uszkodzone części. Uszkodzoną część należy dokładnie sprawdzić przed dalszym użytkowaniem narzędzia, aby mieć pewność, że będzie ona poprawnie działać i spełniać swoją funkcję. Należy sprawdzić narzędzie pod kątem nieprawidłowego ustawienia lub zablokowania elementów ruchomych, pęknięć części, zamocowania oraz innych usterek, które mogą mieć wpływ na jego działanie. Osłona lub inne uszkodzone części powinny zostać naprawione lub wymienione przez autoryzowany punkt serwisowy.
6. Należy używać tylko oryginalnych części.
7. Przed przeniesieniem narzędzia na inne miejsce, także podczas pracy, należy wyjąć akumulator i założyć osłonę na ostrza nożyc. Nie wolno przenosić ani przewozić narzędzia, gdy ostrza są w ruchu. Nigdy nie chwytać ostrzy rękami.
8. Narzędzie, a zwłaszcza ostrza, należy wyczyścić po pracy, a także przed odłożeniem narzędzia do przechowania przez dłuższy czas. Ostrza nożyc należy lekko naoliwić i nałożyć na nie osłonę.
9. Nie wolno wyrzucać akumulatorów do ognia. Ogniu może eksplodować. Należy zapoznać się z obowiązującymi lokalnie przepisami, które określają specjalne wytyczne dotyczące pozbywania się odpadów.
10. Nie wolno otwierać ani niszczyć akumulatorów. Uwolniony elektrolit jest substancją żrącą, która może spowodować uszkodzenie oczu lub skóry. Może być on trujący w razie połknięcia.
11. Akumulatora nie należy ładować w deszczu ani w wilgotnym otoczeniu.

ZACHOWAĆ NINIEJSZE INSTRUKCJE.

▲OSTRZEŻENIE: NIE WOLNO pozwolić, aby wygoda lub rutyna (nabyta w wyniku wielokrotnego używania urządzenia) zastąpiły ścisłe przestrzeganie zasad bezpieczeństwa obsługi. **NIEWŁAŚCIWE UŻYTKOWANIE** narzędzia lub niestosowanie się do zasad bezpieczeństwa podanych w niniejszej instrukcji obsługi może prowadzić do poważnych obrażeń ciała.

OPIS CZĘŚCI

- **Rys.1:** 1. Osłona ostrzy 2. Uchwyt regulacji kąta 3. Nasadka 4. Ostrza nożyc 5. Dźwignia przesuwna 6. Przednia rękojeść

MONTAŻ

▲OSTRZEŻENIE: Przed montażem lub regulacją wyposażenia należy wyłączyć silnik i wyjąć akumulator. W przeciwnym razie maszyna może zostać przypadkowo uruchomiona i spowodować obrażenia ciała.

▲OSTRZEŻENIE: Podczas montażu lub regulacji urządzenia zawsze należy położyć je na podłożu. Montowanie lub regulowanie narzędzia w położeniu pionowym może spowodować poważne obrażenia.

▲OSTRZEŻENIE: Należy przestrzegać ostrzeżeń i środków ostrożności opisanych w rozdziale „OSTRZEŻENIA DOTYCZĄCE BEZPIECZEŃSTWA” oraz w instrukcji obsługi jednostki napędowej.

Montaż przyrządu

1. Zdjąć nasadkę z przyrządu.

► **Rys.2:** 1. Nasadka

2. Wsunąć drążek do przyrządu, tak aby otwór w drążku był wyrównany z otworem w przyrządzie. Dokładnie dokręcić najpierw krótką śrubę, a następnie długą śrubę, aby unieruchomić drążek.

► **Rys.3:** 1. Otwór 2. Drążek 3. Śruba (krótka) 4. Śruba (długa)

WSKAZÓWKWA: Podczas dokręcania śrub użyć momentu dokręcania 4,0–6,0 N•m.

Podłączanie drążka przyrządu

⚠ PRZESTROGA: Po zakończeniu montażu zawsze należy sprawdzać, czy drążek przyrządu jest poprawnie zamontowany. Nieprawidłowa instalacja może spowodować odpadnięcie przyrządu z jednostki napędowej i wywołać poważne obrażenia ciała.

Podłączanie drążka przyrządu do jednostki napędowej.

1. Należy zdjąć nasadkę z końca drążka.

► **Rys.4:** 1. Drążek 2. Nasadka

UWAGA: Nie wyrzucać nasadki, ponieważ jest ona potrzebna podczas przechowywania przystawki.

2. Obrócić dźwignię w kierunku przyrządu.

► **Rys.5:** 1. Dźwignia

3. Wyrównać kołek zgodnie ze wskazaniem strzałki na jednostce napędowej. Drążek należy wprowadzać, aż przycisk zwalniający wyskoczy.

Linia wskazująca położenie powinna znajdować się na końcówce strzałki na jednostce napędowej, a strzałka na jednostce napędowej i strzałka na drążku powinny być zwrócone do siebie.

► **Rys.6:** 1. Przycisk zwalniający 2. Strzałka na jednostce napędowej 3. Kolek 4. Linia pozycji 5. Strzałka na drążku

4. Obrócić dźwignię w kierunku jednostki napędowej.

► **Rys.7:** 1. Dźwignia

Upewnić się, że powierzchnia dźwigni znajduje się w położeniu równoległym do drążka.

UWAGA: Dźwignia nie należy dokręcać, jeśli drążek przyrządu nie został wprowadzony. W przeciwnym wypadku dźwignia może zbyt mocno zacisnąć koniec wałka napędowego i uszkodzić go.

Aby wyjąć drążek, należy obrócić dźwignię w kierunku przyrządu i wyciągnąć drążek, naciskając przycisk zwalniający.

► **Rys.8:** 1. Przycisk zwalniający 2. Dźwignia 3. Drążek

Montaż lub demontaż ostrzy nożyc

⚠ PRZESTROGA: Podczas wymiany ostrzy nożyc należy zawsze nosić rękawice, aby nie dotykać ich bezpośrednio.

⚠ PRZESTROGA: Przed założeniem lub zdjęciem ostrzy nożyc należy założyć osłonę nożyc.

UWAGA: Podczas wymiany ostrzy nożyc nie należy wycierać smaru z mimośrodów.

WSKAZÓWKA: Przed zamontowaniem lub zdemonstrowaniem ostrzy nożyc należy rozłożyć przyrząd, tak aby był on wyprostowany względem drążka.

1. Zamocować osłonę ostrzy do ostrzy nożyc.

► **Rys.9:** 1. Osłona ostrzy

2. Ustawić przyrząd dołem do góry.

3. Wykręcić 4 śruby za pomocą klucza imbusowego, a następnie zdjąć osłonę oraz płytkę (dużą).

► **Rys.10:** 1. Śruba 2. Pokrywa 3. Płytkę (duża)

4. Za pomocą wkrętaka płaskiego obrócić mimośród tak, aby był ustawiony w sposób przedstawiony na rysunku.

► **Rys.11:** 1. Mimośród

5. Wykręcić 2 śruby.

► **Rys.12:** 1. Śruba

6. Zdjąć podkładkę filcową (krótką), podkładkę filcową (długą), płytkę (małą) i tuleje.

► **Rys.13:** 1. Podkładka filcowa (krótka) 2. Podkładka filcowa (długa) 3. Płytkę (mała) 4. Tuleja

7. Zdemontować ostrza nożyc z przyrządu.

► **Rys.14**

8. Zdjąć osłonę ostrza i założyć ją na nowe ostrza nożyc.

9. Zdjąć osłonę przeciwpyłową z ostrzy nożyc, a następnie założyć ją na nowe ostrza nożyc w miejscu przedstawionym na rysunku.

► **Rys.15:** 1. Osłona przeciwpyłowa

10. Włożyć śrubę wykręconą w kroku 5 do otworu w ostrzach nożyc przez otwór w osłonie ostrzy.

► **Rys.16:** 1. Otwór 2. Śruba

11. Posmarować obwód mimośrodu niewielką ilością smaru. Przymocować ostrza nożyc do przyrządu.

► **Rys.17**

12. Zamontować tuleje i płytkę (małą) na ostrzach nożyc, a następnie dokręcić śrubę.

► **Rys.18:** 1. Śruba 2. Płytkę (mała) 3. Tuleja

13. Wykręcić śrubę włożoną do otworu w ostrzach nożyc w kroku 10, a następnie dokręcić, aby unieruchomić ostrza nożyc.

14. Założyć podkładkę filcową (krótką) i podkładkę filcową (długą).

► **Rys.19:** 1. Podkładka filcowa (krótka) 2. Podkładka filcowa (długa)

15. Zamontować płytkę (dużą) oraz osłonę, a następnie dokręcić 4 śruby.

► **Rys.20:** 1. Śruba 2. Pokrywa 3. Płytkę (duża)

UWAGA: Jeśli ostrza nożyc nie działają prawidłowo, oznacza to, że nie są właściwie połączone z mimośrodem. Zdjąć ostrza i założyć je ponownie.

UWAGA: Jeśli inne części niż ostrza nożyc, takie jak mimośród, ulegną zużyciu, należy zwrócić się do autoryzowanego centrum serwisowego firmy Makita z prośbą o wymianę części lub dokonanie naprawy.

OPIS DZIAŁANIA

▲PRZESTROGA: Przed przystąpieniem do regulacji lub przeglądu narzędzia upewnić się, że jest ono wylączone, a akumulator został wyjęty.

Regulacja kąta cięcia

▲PRZESTROGA: Przed wyregulowaniem kąta cięcia należy zawsze upewnić się, że narzędzie jest wylączone.

Do regulacji kąta głowicy dostępnych jest 13 ustawień. Aby zmienić kąt głowicy, należy wykonać poniższe kroki.

1. Trzymając uchwyt regulacji kąta, wyregulować kąt głowicy, pociągając dźwignię przesuwaną, a następnie zwolnić dźwignię przesuwaną.

► **Rys.21:** 1. Dźwignia przesuwana 2. Uchwyt regulacji kąta

2. Przesunąć delikatnie głowicę, tak aby została zablokowana (kliknięcie).

WSKAZÓWKA: Przed rozpoczęciem eksploatacji narzędzia należy upewnić się, czy głowica jest dokładnie zamocowana.

OBSŁUGA

▲OSTRZEŻENIE: Należy przestrzegać ostrzeżeń i środków ostrożności opisanych w rozdziale „OSTRZEŻENIA DOTYCZĄCE BEZPIECZEŃSTWA” oraz w instrukcji obsługi jednostki napędowej.

Obsługa narzędzia

▲OSTRZEŻENIE: Nie wolno używać narzędzia w pobliżu linii energetycznych. Kontakt z liniami energetycznymi lub użycie narzędzia w pobliżu takich linii może spowodować poważne obrażenia ciała lub śmierć w wyniku porażenia elektrycznego.

▲OSTRZEŻENIE: Trzymać ręce z dala od ostrzy nożyc.

▲OSTRZEŻENIE: Należy zachować najwyższą ostrożność, aby nie utracić kontroli nad narzędziem. Nie dopuścić, aby narzędzie odchyliło się w stronę użytkownika lub jakiegokolwiek innej osoby przebywającej w pobliżu. Brak kontroli nad narzędziem może spowodować poważne obrażenia operatora lub osób postronnych.

▲PRZESTROGA: W miarę możliwości należy unikać używania narzędzia przy wysokiej temperaturze otoczenia. Podczas obsługi narzędzia należy zwracać uwagę na swój stan fizyczny.

▲PRZESTROGA: Podczas przycinania należy uważać, aby nie dotknąć metalowego ogrodzenia lub innych twardych przedmiotów. Ostrza nożyc mogą się złamać i spowodować obrażenia ciała.

▲PRZESTROGA: Zachować ostrożność, aby nie dopuścić do zetknięcia się ostrzy nożyc z gruntem. Narzędzie może odskoczyć i spowodować obrażenia ciała.

▲PRZESTROGA: Podczas przycinania sięganie zbyt daleko, zwłaszcza gdy pracuje się na drabinie, może być bardzo niebezpieczne. Podczas pracy nie wolno stać na niczym chwiejnym lub niestabilnym.

UWAGA: Nie wolno próbować przecinania tym narzędziem gałęzi o średnicy większej niż 10 mm. Przed użyciem tego narzędzia należy za pomocą sekatora do gałęzi przyciąć takie gałęzie na długość o 10 cm mniejszą niż wysokość cięcia.

► **Rys.22:** (1) Wysokość cięcia (2) 10 cm

UWAGA: Nie wolno też ciąć suchych gałęzi ani innych twardych przedmiotów. Może to spowodować uszkodzenie narzędzia.

UWAGA: Nie ścinać trawy ani chwastów za pomocą ostrzy nożyc. Ostrza nożyc mogą się zaplać w trawie lub w chwastach.

Narzędzie należy trzymać oburącz, przytrzymując za uchwyt przedni jednostki napędowej lub przednią rękkość przystawki oraz tylną rękkość jednostki napędowej.

► **Rys.23:** 1. Uchwyt przedni 2. Tylna rękkość

Pociągnąć spust przełącznika, jednocześnie naciskając dźwignię blokady włączenia, a następnie przesunąć narzędzie do przodu.

► **Rys.24**

Stosując podstawową metodę pracy, należy pochylić ostrza nożyc w kierunku przycinania i przesunąć je spokojnie i powoli, z szybkością jednego metra na 3 do 4 s.

► **Rys.25**

Równe przycięcie boku żywopłotu osiągamy, przycinając go od dołu do góry.

► **Rys.26**

Podczas przycinania w celu uzyskania zaokrąglonych kształtów (strzyżenie bukszpanu lub rododendronu) o atrakcyjnym wyglądzie należy ciąć od korzeni do wierzchołka.

► **Rys.27**

KONSERWACJA

⚠️ OSTRZEŻENIE: Przed rozpoczęciem przeglądu lub konserwacji wyposażenia należy wyłączyć silnik i wyjąć akumulator. W przeciwnym razie maszyna może zostać przypadkowo uruchomiona i spowodować poważne obrażenia ciała.

⚠️ OSTRZEŻENIE: Na czas kontroli lub konserwacji urządzenia zawsze należy położyć je na podłożu. Montowanie lub regulowanie narzędzia w położeniu pionowym może spowodować poważne obrażenia.

⚠️ OSTRZEŻENIE: Należy przestrzegać ostrzeżeń i środków ostrożności opisanych w rozdziale „OSTRZEŻENIE DOTYCZĄCE BEZPIECZEŃSTWA” oraz w instrukcji obsługi jednostki napędowej.

⚠️ PRZESTROGA: Przed przystąpieniem do przeglądu lub prac konserwacyjnych należy założyć rękawice.

UWAGA: Nie stosować benzyny, rozpuszczalników, alkoholu itp. środków. Mogą one powodować odbarwienia, odkształcenia lub pęknięcia.

W celu zachowania odpowiedniego poziomu BEZPIECZEŃSTWA i NIEZAWODNOŚCI produktu wszelkie naprawy i różnego rodzaju prace konserwacyjne lub regulacje powinny być przeprowadzane przez autoryzowany lub fabryczny punkt serwisowy narzędzi Makita, zawsze z użyciem oryginalnych części zamiennych Makita.

Czyszczenie narzędzia

Czyścić narzędzie, wycierając kurz suchą szmatką lub szmatką zanurzoną wcześniej w roztworze wodnym mydła i wyżętą.

UWAGA: Nie stosować benzyny, rozpuszczalników, alkoholu itp. środków. Mogą one powodować odbarwienia, odkształcenia lub pęknięcia.

Konserwacja ostrzy nożyc

Przed rozpoczęciem pracy lub po każdej przeprowadzonej godzinie zwilżyć ostrza nożyc olejem o niskiej lepkości (olejem maszynowym lub olejem smarnym w aerozolu).

► Rys.28

Po zakończeniu pracy należy drucianą szczotką usunąć kurz po obu stronach ostrza nożyc, przetrzeć je szmatką, a następnie zwilżyć olejem o niskiej lepkości, (olejem maszynowym lub olejem smarnym w aerozolu).

► Rys.29

UWAGA: Ostrzy nożyc nie wolno myć wodą. Takie mycie może spowodować korozję lub uszkodzenie narzędzia.

UWAGA: Zanieczyszczenia i korozja powodują nadmierne tarcie podczas pracy ostrza i skracają czas eksploatacji między ładowaniami akumulatora.

Przechowywanie

Przymocować osłonę ostrzy do ostrzy nożyc tak, aby ostrza nie były odsłonięte. Narzędzie należy przechowywać w bezpiecznym, niedostępnym dla dzieci miejscu. Miejsce przechowywania narzędzia powinno być suche.

Podczas przechowywania przyrządu bez jednostki napędowej należy nałożyć nasadkę na koniec drążka.

► Rys.30

Smarowanie ruchomych części

UWAGA: Przestrzegać instrukcji odnośnie do częstotliwości smarowania i ilości smaru. W przeciwnym razie niewystarczające smarowanie może spowodować uszkodzenie części ruchomych.

Wałek napędowy:

Nakładać smar (smar Makita N No.2 lub jego zamiennik) co 30 godzin pracy.

► Rys.31

WSKAZÓWKA: Oryginalny smar firmy Makita można zakupić u lokalnego przedstawiciela firmy Makita.

Smarowanie

Częstotliwość smarowania: Co 25 godzin pracy

1. Wyciągnąć śrubę z otworu do smarowania.

► Rys.32: 1. Śruba

2. Zdjąć korek z pojemnika ze smarem. Dopasować wylot pojemnika ze smarem do otworu w pokrywie, a następnie obrócić pojemnik ze smarem, aby zamocować wylot pojemnika w otworze.

► Rys.33: 1. Pojemnik ze smarem 2. Otwór

3. Wprowadzić smar do narzędzia (w przybliżeniu należy wprowadzić około 3 g).

4. Zdjąć pojemnik ze smarem.

5. Dokręcić śrubę.

Ostrzenie ostrzy nożyc

UWAGA: Jeśli na skutek ostrzenia ostrza nożyc są poważnie zdeformowane, należy je wymienić na nowe.

1. Zamontować akumulator w narzędziu.

2. Włączyć i uruchomić narzędzie. Następnie ustawić górne i dolne ostrze w taki sposób, aby się ze sobą nie pokrywały.

► Rys.34

3. Wyłączyć narzędzie i wyjąć z niego akumulator.

4. Ustawić pilnik pod kątem 45° i ostrzyć górne ostrze pilnikiem z 3 kierunków.

► Rys.35: (1) Pilnik (2) 45°

⚠️ PRZESTROGA: Przed rozpoczęciem ostrzenia upewnić się, że narzędzie jest wyłączone, a akumulator wyjęty z narzędzia.

5. Ustawić narzędzie dołem do góry, a następnie usunąć zadziory z ostrzy nożyc za pomocą osetki.

► **Rys.36:** 1. Osetka

6. Ustawić pilnik pod kątem 45° i ostrzyć dolne ostrze pilnikiem z 3 kierunków.

7. Przywrócić narzędzie do normalnego położenia, a następnie usunąć zadziory z ostrzy nożyc za pomocą osetki.

ROZWIĄZYWANIE PROBLEMÓW

Przed oddaniem urządzenia do naprawy należy najpierw przeprowadzić samodzielną kontrolę. W razie napotkania problemu, który nie został wyjaśniony w instrukcji, nie należy próbować demontować urządzenia we własnym zakresie. Należy natomiast zlecić naprawę w autoryzowanym punkcie serwisowym firmy Makita; zawsze z użyciem oryginalnych części zamiennych Makita.

Nieprawidłowe działanie	Prawdopodobna przyczyna (usterka)	Rozwiązanie
Silnik się nie uruchamia.	-	Patrz instrukcja obsługi jednostki napędowej.
Silnik zatrzymuje się wkrótce po uruchomieniu.	-	Patrz instrukcja obsługi jednostki napędowej.
Prędkość obrotowa silnika nie wzrasta.	-	Patrz instrukcja obsługi jednostki napędowej.
Ostrza nożyc nie poruszają się: ⇒ Natychmiast wyłączyć narzędzie!	Pomiędzy ostrzami nożyc znajdują się ciała obce.	Wyłączyć narzędzie i wyjąć akumulator, a następnie usunąć ciała obce, używając odpowiednich narzędzi, takich jak szczypce.
	Układ napędowy nie działa prawidłowo.	Zlecić naprawę w lokalnym autoryzowanym punkcie serwisowym.
Nietypowe drgania: ⇒ Natychmiast wyłączyć narzędzie!	Ostrza nożyc są złamane, wygięte lub zużyte.	Wymienić ostrza nożyc.
	Układ napędowy nie działa prawidłowo.	Zlecić naprawę w lokalnym autoryzowanym punkcie serwisowym.
Nie można zatrzymać ostrzy nożyc ani silnika: ⇒ Natychmiast wyjąć akumulator!	Usterka w układzie elektrycznym.	Wyjąć akumulator i zlecić naprawę w lokalnym autoryzowanym punkcie serwisowym.

AKCESORIA OPCJONALNE

⚠ PRZESTROGA: Zaleca się stosowanie wymienionych akcesoriów i przystawek z maszyną Makita opisaną w niniejszej instrukcji. Stosowanie innych akcesoriów lub przystawek może być przyczyną obrażeń ciała. Akcesoriów lub przystawek należy używać tylko zgodnie z ich przeznaczeniem.

W razie potrzeby wszelkiej pomocy i szczegółowych informacji na temat niniejszych akcesoriów udziela Państwu lokalne punkty serwisowe Makita.

- Zespół ostrzy nożyc
- Pojemnik ze smarem
- Oryginalny akumulator i ładowarka firmy Makita

WSKAZÓWKA: Niektóre pozycje znajdujące się na liście mogą być dołączone do pakietu urządzenia jako akcesoria standardowe. Mogą to być różne pozycje, w zależności od kraju.

RÉSZLETES LEÍRÁS

Tipus:	EN402MP
Penge hossza	500 mm
Teljes hossz	1444 mm
Nettó tömeg	2,4 kg

- Folyamatos kutató- és fejlesztőprogramunk eredményeként az itt felsorolt tulajdonságok figyelmeztetés nélkül megváltozhatnak.
- A tulajdonságok országról országra különbözhetnek.

Jóváhagyott meghajtóegység

A jelen tartozék kizárólag a következő meghajtóegység-egységekkel használható:

- DUX60 vezeték nélküli többfunkciós alapgép
- DUX18 vezeték nélküli többfunkciós alapgép
- UX01G vezeték nélküli többfunkciós alapgép

FIGYELMEZTETÉS: Soha ne használja a tartozékot nem jóváhagyott meghajtóegységgel. A nem jóváhagyott alkatrészek kombinációja súlyos személyi sérülést okozhat.

Szimbólumok

A következőkben a berendezésen esetleg használt jelképek láthatók. A szerszám használata előtt bizonyosodjon meg arról hogy helyesen értelmezi a jelentésüket.



Olvassa el a használati útmutatót, és tartsa be az abban leírtakat.



VESZÉLY - Tartsa távol a kezét a késtől.



Figyeljen az elektromos vezetékekre. Áramütés kockázata.



Viseljen sisakot, védőszemüveget és fülvédőt.



Viseljen védőkesztyűt.



Viseljen csúszásmentes talpú, merev cipőt/ csizmát.



Biztosítsa, hogy az emberek és az állatok legalább 15 méterre (50 láb) legyenek az elektromos szerszámtól.



Biztosítsa, hogy az üzemi területen ne tartózkodjanak személyek és háziállatok.



Garantált hangteljesítményszint az EU szabotári zajvédelmi irányelvnek megfelelően.



Hangteljesítményszint Auszália NSW tartománya zajszabályozási rendelete szerint

Rendeltetés

A jelen tartozék kizárólag sövénynyírásra használható, és kizárólag a jóváhagyott meghajtóegységhez csatlakoztatható. A tartozékot nem szabad más célra használni. A tartozék helytelen használata súlyos sérülést okozhat.

EK Megfelelőségi nyilatkozat

Csak európai országokra vonatkozóan

Mi, a: **Makita Europe N.V.**, székhely: **Jan-Baptist Vinkstraat 2 3070 Kortenberg BELGIUM**, mint gyártó felhatalmazzuk **Hiroshi Tsujimura**-t a műszaki leírás elkészítésére, valamint saját felelősségünkre kijelentjük, hogy a termék(ek), úgy mint a:
Meghatározás: **Sövénynyíró tartozék**. Típuszám(ok): **EN402MP**.

Megfelel a **2006/42/EK** irányelvnek és megfelel az alábbi EK/EU irányelvek minden vonatkozó rendelkezésének is: **2000/14/EK**, illetve a következő harmonizált szabványok alapján kerültek legyártásra: **EN62841-1:2015, EN 62841-4-2:2019, EN ISO 11806-1:2011**.

A nyilatkozat helye és kelte: **Kortenberg, Belgium. 20. 12. 2022**

Felelős személy: **Hiroshi Tsujimura, igazgató – Makita Europe N.V.**

BIZTONSÁGI FIGYELMEZTETÉS

Az akkumulátoros nyeles sövénynyíróra vonatkozó biztonsági figyelmeztetések

1. **Ügyeljen rá, hogy teste semmilyen része ne kerüljön a kés közelébe. Amikor a kések mozognak, ne távolítsa el a levágott anyagot, és ne tartsa a kezében a levágni kívánt anyagot.** A kések a kapcsoló kikapcsolása után egy ideig még mozognak. A sövénynyíró használata közben egy pillanatnyi figyelmetlenség is komoly személyi sérüléshez vezethet.
2. **A sövénynyíróat a fogantyúnál fogva vigye, leállított késsel, ügyelve arra, hogy ne működtessen semmilyen főkapcsolót.** A sövénynyíró megfelelő szállítása csökkenti a kés véletlen indulásának és az ebből eredő személyi sérülések kockázatát.
3. **A sövénynyíró szállításához és tárolásához mindig illesse fel a kés burkolatát.** A sövénynyíró megfelelő kezelése csökkenti a késből eredő személyi sérülések kockázatát.
4. **Az elakadt anyag eltávolításakor vagy az egység javításakor ügyeljen arra, hogy az összes főkapcsoló ki legyen kapcsolva és az akkumulátor el legyen távolítva vagy le legyen választva.** A sövénynyíró váratlan bekapcsolása az elakadt anyag eltávolítása vagy karbantartás közben súlyos személyi sérüléseket okozhat.
5. **Kizárólag a szigetelt markolási felületeinél fogva tartsa a sövénynyíróat, mert fennáll a veszélye, hogy a fűrészlap rejtett vezetékekbe ütközik.** Ha a kések feszültség alatt lévő vezetékekkel érintkeznek, az elektromos szerszám fém alkatrészei is áram alá kerülhetnek, és áramütés érheti a kezelőt.
6. **Az összes tápvezetéket és kábelt tartsa távol a vágási területtől.** A tápvezetékek vagy kábelek rejtve lehetnek a sövényekben vagy bokrokban, és a kés véletlenül elvághatja azokat.
7. **Ne használja a sövénynyíróat rossz időjárási körülmények esetén, különösen, ha villámlás várható.** Ez csökkenti a villámcsapás veszélyét.
8. **Az áramütés kockázatának csökkentése érdekében soha ne használja a nyeles sövénynyíróat elektromos vezetékek közelében.** Az elektromos vezetékekkel való érintkezés vagy az azok közelében történő használat súlyos sérüléseket vagy áramütést okozhat, ami halálhoz vezethet.
9. **Mindig két kézzel működtesse a nyeles sövénynyíróat.** A nyeles sövénynyíróat két kézzel tartsa, hogy ne veszítse el fölötte az uralmát.
10. **A nyeles sövénynyíró fej fölött történő használatok mindig viseljen fejtámasztó eszközt.** A leeső nyesedék súlyos személyi sérülést okozhat.

További biztonsági utasítások

Felkészülés

1. **EZ A SÖVENYNYÍRÓ SÚLYOS SÉRÜLÉSEKET OKOZHAT.** Figyelmesen olvassa el a szerszám helyes kezelésére, előkészítésére, karbantartására, indítására és leállítására vonatkozó utasításokat. Sajtátsa el a szerszám helyes használatát és a kezelőszervek működtetését.
2. **A szerszám használata előtt ellenőrizze a sövényeket és bokrokat, nincs-e bennük idegen tárgy, mint például drótkerítés vagy rejtett huzalok.**
3. **18 év alatti fiatalok vagy gyerekek nem használhatják a sövénynyíróat.** Mentessülhetnek a tilalom alól az olyan 16 év feletti fiatalok, akik szakember által felügyelt betanításban részesülnek.
4. **Vészhelyzetben azonnal állítsa le a szerszámot és távolítsa el az akkumulátort.**
5. **VESZÉLY - Tartsa távol a kezét a fűrészlaptól.** A fűrészlap megérintése súlyos személyi sérüléshez vezethet.
6. **A szerszámot először használó személyeknek egy tapasztalt kezelő mutassa meg annak használatát.**
7. **Használat előtt vizsgálja át a teljes munkaterületet, hogy található-e rajta drótkerítés, kő vagy egyéb szilárd tárgy. Ezek a kések sérülését okozhatják.**
8. **A sövénynyíróat csak jó fizikai állapotban lévő személyek használják.** A fáradtság figyelmen kívül hagyható. Különös elővigyázatossággal járjon el a munkanap végén. Minden munkát nyugodtan és elővigyázatosan végezzen. A harmadik félnak okozott károkért a felhasználó felelős.
9. **A munka megkezdése előtt győződjön meg arról, hogy a sövényvágó állapota jó, és megfelelő a biztonságos munkavégzésre.** Ügyeljen rá, hogy a védőburkolatok megfelelően fel legyenek szerelve. A sövénynyíróat csak teljesen összeszerelt állapotban szabad használni.
10. **Kerülje a veszélyes környezetet. Ne használja a gépet nyirkos, nedves helyen, és ne tegye ki esőnek. A gépbe kerülő víz növeli az áramütés kockázatát.**

Személyi védőfelszerelések

1. **Az erős bőrből készült munkakesztyűk a sövénynyíró alapfelszerelésének részét képezik, és a használatok mindig fel kell venni azokat. Emellett viseljen csúszásgátló talppal ellátott, kemény lábbelit.**
2. **A halláskárosodás elkerülése érdekében használjon hallásvédő eszközt, például fülvédőt.**
3. **Védőszemüveg, védősisak és védőkesztyű használataival óvja magát a repülő hulladékoktól és leeső tárgyaktól.**
4. **A kések megérintésekor, illetve a kések szögének beállításakor mindig viseljen védőkesztyűt.** A kések súlyosan megvágthatják a védelem nélküli kezét.

Működtetés

1. **Mindig két kézzel működtesse a szerszámot.** Egyetlen kéz használata az irányítás elvesztését okozhatja, és súlyos személyi sérüléseket eredményezhet.

2. A szerszám használata közben mindig ellenőrizze, hogy a kezelési helyzet biztonságos-e. Ha túl messzire nyúl a szerszámmal, különösen egy létráról, az rendkívül veszélyes. Ne dolgozzon semmilyen billegő vagy nem stabil helyről.
 3. A szerszám használata közben ne viseljen egyszerre több biztonsági övet és/vagy vállhevedert.
 4. Üzemeltetés közben tartson minden személyt és állatot legalább 15 m távolságra a szerszámtól. Ha valaki közelebb jön, azonnal állítsa le a szerszámot.
 5. Ha a vágószerszám bármilyen tárgyhoz ütközik, vagy a szerszám szokatlan zajt vagy rezgést képez, kapcsolja ki a szerszámot, azonnal vegye ki az akkumulátort, és hagyja, hogy a szerszám leálljon. Ezután tegye a következőket:
 - ellenőrizze, hogy nem károsodott-e
 - ellenőrizze és húzza meg a laza alkatrészeket
 - javíttassa meg vagy cserélje ki a sérült pótalkatrészeket eredeti alkatrészekre.
 6. A szerszámot csak rendeltetészerűen használja. Más célra ne használja a szerszámot.
 7. Kapcsolja ki a szerszámot, és távolítsa el belőle az akkumulátort a következők előtt:
 - tisztítás vagy akadály megszüntetése,
 - a szerszám ellenőrzése, karbantartása vagy megmunkálása,
 - a nyírópengék munkahelyzetének beállítása,
 - ha a szerszámot felügyelet nélkül hagyja.
 8. A szerszám elindítása előtt győződjön meg arról, hogy a szerszám megfelelően van-e a megadott munkapozícióban.
 9. Ne működtesse a szerszámot sérült vagy túlkopott nyírópengékkel.
 10. Mindig legyen tisztában a környezetével, és vigyázzon az esetleges veszélyekre, amelyeket a szerszám zaja miatt nem ismerhet fel.
 11. Ügyeljen rá, nehogy véletlenül hozzáérjen egy fémkerítéshez vagy más kemény tárgyhöz a használat során. A penge eltörhet és súlyos sérülést okozhat.
 12. Kerülje a véletlenszerű elindítást. Ne hordozza a szerszámot, ha az akkumulátor be van helyezve, és ujjal a kapcsolón. Az akkumulátor behelyezése előtt ellenőrizze, hogy a kapcsoló ki van-e kapcsolva.
 13. Ne fogja meg a csupaszkéceket vagy vágóéleket, amikor felemeli vagy megtartja a szerszámot.
 14. Ne erőltesse a szerszámot. Jobb munka végezhető vele, és kisebb a sérülés veszélye, ha a gépet azzal a tempóval használja, amelyre tervezték.
 15. Ne használja a szerszámot esőben, nedves vagy nagyon páras körülmények között. Az elektromos motor nem vízálló.
 16. Használat közben erősen tartsa a szerszámot.
 17. Ne működtesse a szerszámot terhelés nélkül fölöslegesen.
 18. A nyírópengék ellenőrzése, a hibák kijavítása vagy a nyírópengékben elakadt idegen tárgyak eltávolítása előtt mindig kapcsolja ki a szerszámot, és vegye ki belőle az akkumulátort.
 19. Soha ne irányítsa a nyírópengéket önmagára vagy másokra.
 20. Ha a pengék mozgása leáll, mert működés közben idegen tárgyak szorultak a pengék közé, kapcsolja ki a szerszámot, és távolítsa el az akkumulátort, majd szerszám, például fogó segítségével távolítsa el az idegen tárgyakat. Az idegen tárgyak kézzel történő eltávolítása sérülést okozhat, mert az idegen tárgyak eltávolítására válaszképpen a pengék megmozdulhatnak.
 21. A késvédő felhelyezések vagy eltávolításakor vigyázzon, nehogy megsérüljön a keze.
- Az elektromos áramra és az akkumulátorra vonatkozó biztonsági tudnivalók**
1. Kerülje a veszélyes környezetet. Ne használja a gépet nyirkos, nedves helyen, és ne tegye ki esőnek. A szerszámba kerülő víz növeli az áramütés kockázatát.
 2. Az akkumulátor(oka)t ne dobja tűzbe. Az akkumulátor felrobbanhat. Nézzon utána, hogy a helyi törvények tartalmazznak-e az ártalmatlanításra vonatkozó különleges rendelkezéseket.
 3. Ne nyissa fel és ne vágja szét az akkumulátor(oka)t. A kifolyt elektrolit korrozív hatású, továbbá a szem és a bőr sérülését okozhatja. Lenyelése mérgezést okozhat.
 4. Ne töltsd az akkumulátort esőben vagy nedves helyen.
 5. Ne töltsd az akkumulátort kültéren.
 6. Ne kezelje a töltőt, beleértve a töltőcsatlakozót, és a töltő kivezetéseit nedves kézzel.
- Karbantartás és tárolás**
1. Ha a szerszámot karbantartás, ellenőrzés vagy tárolás céljából leállítja, kapcsolja ki a szerszámot, vegye ki az akkumulátort és ellenőrizze, hogy minden mozgó alkatrész leállt-e. Ellenőrzések, beállítások stb. megkezdése előtt hagyja lehűlni a szerszámot.
 2. Tárolás előtt mindig hagyja lehűlni a szerszámot.
 3. Amikor nem használja, csatlakoztassa a pengevédőt a szerszámhoz és azt száraz helyen, magasan, elzártan tárolja, hogy gyerekek ne férjenek hozzá.
 4. A szerszám karbantartását gondosan végezze el. A lehető legjobb teljesítmény és a sérülésveszély csökkentése érdekében a vágóélt tartsa élesen és tisztán. A szerszám kenésekort vagy tartozékcseré alatt kövesse az utasításokat. A markolatokat tartsa szárazon, tisztán, valamint olaj- és zsírmentesen.
 5. Vizsgálja meg a sérült alkatrészeket. A szerszám használata előtt vizsgálja meg alaposan a sérült alkatrészeket, és döntse el, hogy működőképesek-e és ellátják-e a kívánt funkciójukat. Ellenőrizze a mozgó részek illeszkedését és rögzítését, az alkatrészek vagy a szerelvények törését vagy bármely olyan körülményt, amely hatással lehet a gép működésére. A sérült védőburkolatot vagy alkatrészt megfelelő módon meg kell javítani vagy arra jogosult szervizünkben kell kicseréltetni.

6. Csak eredeti alkatrészeket használjon.
7. A szerszámból szállítás előtt (még munka közbeni szállításkor is) vegye ki az akkumulátort, és tegye fel a nyírópengék védőburkolatát. Soha ne vigye és ne szállítsa a szerszámot mozgó pengékkel. Soha ne fogja meg kézzel a pengéket.
8. Használat után és hosszabb ideig tartó tárolás előtt tisztítsa meg a szerszámot, különös tekintettel a nyírópengékre. Kissé olajozza be a nyírópengéket, majd tegye rá a pengevédőt.
9. Az akkumulátor(oka)t ne dobja tűzbe. Az akkumulátor felrobbanhat. Nézzon utána, hogy a helyi törvények tartalmazznak-e az értelmetlenül társra vonatkozó különleges rendelkezéseket.
10. Ne nyissa fel és ne vágja szét az akkumulátor(oka)t. A kifolyt elektrolit korrozív hatású, továbbá a szem és a bőr sérülését okozhatja. Lenyelése mérgezést okozhat.
11. Ne töltsen az akkumulátort esőben vagy nedves helyen.

ŐRIZZE MEG EZEKET AZ UTASÍTÁSOKAT.

▲ FIGYELMEZTETÉS: NE HAGYJA, hogy (a termék többszöri használatából eredő) kényelem és megszokás váltsa fel a termék biztonsági előírásainak szigorú betartását. A **HELYTELEN HASZNÁLAT** és a használati útmutatóban szereplő biztonsági előírások megszegése súlyos személyi sérülésekhez vezethet.

ALKATRÉSZEK LEÍRÁSA

- **Ábra1:** 1. Késvédő 2. Szögbeállító fogantyú
3. Kupak 4. Nyírópengék 5. Csúszókar
6. Előlső markolat

ÖSSZESZERELÉS

▲ FIGYELMEZTETÉS: A gép összeszerelése vagy beállítása előtt állítsa le a motort, és távolítsa el az akkumulátort. Ellenkező esetben a gép véletlenül is elindulhat, amely sérülést okozhat.

▲ FIGYELMEZTETÉS: A gép összeszerelése vagy beállítása során mindig tegye le a gépet. A gép álló helyzetben történő összeszerelése és beállítása súlyos sérüléseket okozhat.

▲ FIGYELMEZTETÉS: Minden esetben kövesse a „BIZTONSÁGI FIGYELMEZTETÉSEK” fejezetben, illetve a meghajtóegység használati útmutatójában ismertetett figyelmeztetéseket és óvintézkedéseket.

A tartozék felszerelése

1. Távolítsa el a tartozékról a sapkát.
► **Ábra2:** 1. Sapka
2. Helyezze a csövet a tartozékba úgy, hogy a csövön lévő furat egy vonalban legyen a tartozékon lévő furattal. Először biztonságosan szorítsa meg a rövid hatlapfejű csavart, majd a hosszú hatlapfejű csavart szorítsa meg a cső rögzítéséhez.
► **Ábra3:** 1. Furat 2. Cső 3. Hatlapfejű csavar (rövid)
4. Hatlapfejű csavar (hosszú)

MEGJEGYZÉS: Az imbuszcsonnyal meghúzásához, alkalmazzon 4,0 - 6,0 N•m meghúzási nyomatékot.

A hosszabbítócső felszerelése

▲ VIGYÁZAT: Mindig ellenőrizze, hogy a tartozék csöve rögzítve van felszerelés után. A helytelen felszerelés azt okozhatja, hogy a tartozék kiesik a meghajtóegységből, és személyi sérülést okoz.

Szerelje fel a hosszabbítócsövet a meghajtóegységre.

1. Távolítsa el a cső végéről a kupakot.
► **Ábra4:** 1. Cső 2. Kupak

MEGJEGYZÉS: Ne dobja el a kupakot, mert a kupak szükséges a tartozék tárolásához.

2. Fordítsa a kart a tartozék irányába.
► **Ábra5:** 1. Kar
3. Állítsa a rögzítőcsapot a meghajtóegységen lévő nyíl jelzéshez. Nyomja be a csövet, amíg a kioldógomb fel nem ugrik.

Gondoskodjon róla, hogy a pozicionáló vonal a meghajtóegységen lévő nyíl hegyénél legyen, a meghajtóegységen lévő nyíl jelzés és a csövön lévő nyíl jelzés pedig egymással szemben legyen.

- **Ábra6:** 1. Kioldógomb 2. Nyíl jelzés a meghajtóegységen 3. Csap 4. Pozícióvonal 5. Nyíl jelzés a csövön

4. Fordítsa a kart a meghajtóegység irányába.
► **Ábra7:** 1. Kar

Ügyeljen arra, hogy a kar felülete párhuzamos legyen a csövel.

MEGJEGYZÉS: Ne húzza meg a kart, ha a tartozék csöve nincs behelyezve. A kar ilyenkor ugyanis túlzott mértékben befeszíthető, és így károsíthatja a hajtótengely belépő részét.

A cső eltávolításához fordítsa a kart a tartozék irányába, majd húzza ki a csövet, miközben a kioldógombot lenyomva tartja.

- **Ábra8:** 1. Kioldógomb 2. Kar 3. Cső

A nyírópengék felszerelése és eltávolítása

⚠VIGYÁZAT: A nyírópengék cseréjéhez mindig viseljen kesztyűt, hogy a keze ne érjen közvetlenül a pengékhez.

⚠VIGYÁZAT: A nyírópengék eltávolítása és felszerelése előtt szerelje fel a védőburkolatot.

MEGJEGYZÉS: Amikor a nyírópengéket cseréli, ne törölje le a zsírt a hajtótárcsáról.

MEGJEGYZÉS: A nyírópengék felszerelése vagy eltávolítása előtt hajtsa ki a tartozékot úgy, hogy az egyenesen álljon a csőhöz viszonyítva.

- Szerelje fel a nyírópengékre a késvédőt.
▶ **Ábra9:** 1. Késvédő
- Fordítsa a tartozékot fejjel lefelé.
- Távolítsa el a 4 hatlapfejű csavart az imbuszkulccsal, és vegye le a fedelet és a lemezt (nagy).
▶ **Ábra10:** 1. Csavar 2. Fedél 3. Lemez (nagy)
- Fordítsa el a hajtótárcsát a hornyolt fejtű csavarhúzóval úgy, hogy a hajtótárcsa az ábrán látható irányba álljon.
▶ **Ábra11:** 1. Hajtótárcsa
- Távolítsa el a 2 imbuszcsavart.
▶ **Ábra12:** 1. Csavar
- Távolítsa el a (rövid) filctalpat, a (hosszú) filctalpat, a lemezt (kicsi) és a hüvelyeket.
▶ **Ábra13:** 1. Filctalp (rövid) 2. Filctalp (hosszú) 3. Lemez (kicsi) 4. Hüvely
- Távolítsa el a nyírópengéket a tartozékról.
▶ **Ábra14**
- Távolítsa el a penge védőburkolatát, majd szerelje fel azt az új nyírópengékre.
- Távolítsa el a porvédőt a nyírókésekről, majd az ábrán látható helyzetben rögzítse azt az új nyírókéseken.
▶ **Ábra15:** 1. Porvédő
- Illessze a 5. lépésben eltávolított hatlapfejű csavart a nyírópengéken található furatba a késvédő furatán keresztül.
▶ **Ábra16:** 1. Furat 2. Csavar
- Vigyen fel kis mennyiségű zsírt a hajtótárcsa szélére. Csatlakoztassa a nyírópengéket a tartozékhoz.
▶ **Ábra17**
- Csatlakoztassa a hüvelyeket, a lemezt (kicsi) a nyírópengékhez, majd szorítsa meg a hatlapfejű csavarokat.
▶ **Ábra18:** 1. Csavar 2. Lemez (kicsi) 3. Hüvely
- Távolítsa el a 10. lépésben a nyírópengéken található furatba helyezett hatlapfejű csavart, majd húzza meg a nyírópengék rögzítéséhez.
- Csatlakoztassa a (rövid) filctalpat és a (hosszú) filctalpat.
▶ **Ábra19:** 1. Filctalp (rövid) 2. Filctalp (hosszú)
- Szerelje fel a lemezt (nagy) és a fedelet, majd húzza meg a 4 hatlapfejű csavart.
▶ **Ábra20:** 1. Csavar 2. Fedél 3. Lemez (nagy)

MEGJEGYZÉS: Ha a nyírópengék nem megfelelően működnek, a pengék nem csatlakoznak megfelelően a hajtótárcsához. Távolítsa el a pengéket, és szerelje fel őket újra.

MEGJEGYZÉS: Ha a nyírópengéken kívüli egyéb alkatrész, például a forgattyú elhasználódik, forduljon egy hivatalos Makita szervizközponthoz cserealkatrészt vagy javítástért.

A MŰKÖDÉS LEÍRÁSA

⚠VIGYÁZAT: Minden esetben ellenőrizze, hogy a szerszám ki van kapcsolva és az akkumulátor eltávolításra került mielőtt beállít vagy ellenőriz valamilyen funkciót a szerszámon.

A vágási szög beállítása

⚠VIGYÁZAT: Mielőtt beállítja a vágási szöget, mindig bizonyosodjon meg arról, hogy a szerszámot kikapcsolta.

A fej szögét 13 lépésben lehet beállítani. A fejszög módosításához kövesse az alábbi lépéseket.

- Tartsa a szögbeállító fogantyút, majd a csúszókar meghúzása mellett állítsa be a fej szögét, majd engedje el a csúszókart.
▶ **Ábra21:** 1. Csúszókar 2. Szögbeállító fogantyú
- Óvatosan mozgassa a fejet, amíg a helyére nem kattann.

MEGJEGYZÉS: A szerszám használata előtt ellenőrizze, hogy a fej biztonságosan rögzül-e.

MŰKÖDTETÉS

⚠FIGYELMEZTETÉS: Minden esetben kövesse a „BIZTONSÁGI FIGYELMEZTETÉSEK” fejezetben, illetve a meghajtóegység használati útmutatójában ismertetett figyelmeztetéseket és óvintézkedéseket.

A szerszám működtetése

⚠FIGYELMEZTETÉS: Ne használja a szerszámot elektromos vezetékek közelében. Az elektromos vezetékekkel való érintkezés vagy a szerszám azok közelében történő használata súlyos sérüléseket vagy áramütést okozhat, ami halálhoz vezethet.

⚠FIGYELMEZTETÉS: Tartsa távol a kezét a nyírópengéktől.

⚠FIGYELMEZTETÉS: Mindig különösen óvatosan dolgozzon, ezzel biztosítva a gép feletti uralom megtartását. Ne hagyja, hogy a gép felé vagy a munkavégzés közelében tartózkodó személyek felé dőljön. A gép feletti uralom elvesztése a kezelő és a közelben tartózkodó személyek súlyos sérülését okozhatja.

▲VIGYÁZAT: Nagy hőségben lehetőleg ne használja a gépet. A gép használatakor ügyeljen a saját fizikai állapotára.

▲VIGYÁZAT: Ügyeljen rá, nehogy véletlenül hozzáérjen egy fémkerítéshez vagy más kemény tárgyhöz a nyírás közben. A nyírópengék eltérhetnek, és sérülést okozhatnak.

▲VIGYÁZAT: Ügyeljen rá, hogy a nyírópengék ne érintkezzenek a talajjal. A szerszám visszarúghat, és sérüléseket okozhat.

▲VIGYÁZAT: Ha túl messzire nyúl a sövény-nyíróval, különösen egy létráról, az rendkívül veszélyes. Ne dolgozzon semmilyen billegő vagy nem stabil helyről.

MEGJEGYZÉS: Ne próbáljon meg 10 mm-nél vastagabb átmérőjű ágakat átvágni a szerszámmal. A szerszám használata előtt egy ágvágó segítségével vágja a vágási magasságnál 10 cm-rel kisebbre az ágakat.

► **Ábra22:** (1) Vágási magasság (2) 10 cm

MEGJEGYZÉS: Ne vágjon kiszáradt fákat, vagy más kemény tárgyakat. Ha így tesz, azzal a szerszám károsodását okozhatja.

MEGJEGYZÉS: Ne vágjon fűvet vagy gyomot a nyírópengékkel. A nyírópengék beleakadhatnak a fűbe vagy a gyomokba.

Tartsa a szerszámot mindkét kezével a meghajtóegység elülső fogantyúját vagy a tartozék elülső markolatát és a meghajtóegység hátsó markolatát megfogva.

► **Ábra23:** 1. Elülső fogantyú 2. Hátsó markolat

Húzza a kapcsológombot, miközben nyomja a reteszkioldó kart, majd mozdítsa a szerszámot előre.

► **Ábra24**

Az alapműködéshez döntse a nyírópengéket a nyírás irányába, majd nyugodt, lassú tempóban, méterenként 3–4 másodperces sebességgel mozgassa.

► **Ábra25**

Segíthet a sövény oldalának egyenesre nyírásában, ha alulról felfelé halad a vágással.

► **Ábra26**

Ha lekerekített formát nyír (például puszpángot vagy rododendront), a szép forma elérése érdekében a gyökerektől haladjon felfelé.

► **Ábra27**

KARBANTARTÁS

▲FIGYELMEZTETÉS: A gép átvizsgálása vagy karbantartása előtt állítsa le a motort, és távolítsa el a gyújtógy az akkumulátort. Ellenkező esetben a gép véletlenül is elindulhat, amely súlyos sérülést okozhat.

▲FIGYELMEZTETÉS: A gép vizsgálata vagy karbantartása során mindig tegye azt le. A gép álló helyzetben történő összeszerelése és beállítása súlyos sérüléseket okozhat.

▲FIGYELMEZTETÉS: Minden esetben kövesse a „BIZTONSÁGI FIGYELMEZTETÉSEK” fejezetben, illetve a meghajtóegység használati útmutatójában ismertetett figyelmeztetéseket és óvintézkedéseket.

▲VIGYÁZAT: Viseljen kesztyűt az átvizsgálás és a karbantartás során.

MEGJEGYZÉS: Soha ne használjon gázolajt, benzint, hígítót, alkoholt vagy hasonló anyagokat. Ezek elszíneződést, alakvesztést vagy repedést okozhatnak.

A termék BIZTONSÁGÁNAK és MEGBÍZHATÓSÁGÁNAK fenntartása érdekében a javításokat és más karbantartásokat vagy beállításokat a Makita hivatalos vagy gyári szervizközpontjában kell elvégezni, mindig csak Makita cserealkatrészeket használva.

A szerszám tisztítása

A szerszámról egy száraz, vagy egy szappanos vízbe mártott és kicsavart ruhával törölje le a port.

MEGJEGYZÉS: Soha ne használjon gázolajt, benzint, hígítót, alkoholt vagy hasonló anyagokat. Ezek elszíneződést, alakvesztést vagy repedést okozhatnak.

Nyírópenge karbantartása

Munkavégzés előtt és munkavégzés közben óránként vigyen fel alacsony viszkozitású olajat (gépolajat vagy aeroszolos kenőolajat) a nyírópengékre.

► **Ábra28**

A használat után egy drótkéffel távolítsa el a port a nyírópengék mindkét oldaláról, törölje le azokat egy ruhával, majd kenje meg alacsony viszkozitású olajjal (gépolajjal vagy aeroszolos kenőolajjal).

► **Ábra29**

MEGJEGYZÉS: Ne mossa a nyírópengéket vízben. Ha így tesz, azzal a szerszám rozsdásodását vagy károsodását okozhatja.

MEGJEGYZÉS: A szennyeződés és a rozsd a pengék túlzott súrlódását eredményezi, és lerövidíti az akkumulátor töltésenként biztosított üzemidejét.

Tárolás

Helyezze fel a védőburkolatot a nyírópengékre úgy, hogy a pengék ne látsszanak. A szerszámot olyan helyen tárolja, ahol gyerekek nem érhetik el. A szerszámot olyan helyen tárolja, amely nincs kitéve nedvességnek vagy esőnek.

Amennyiben a tartozékot a meghajtóegységtől külön tárolja, mindig helyezze fel a sapkát a cső végére.

► **Ábra30**

A mozgó alkatrészek kenése

MEGJEGYZÉS: Kövesse a zsírozásra vonatkozó gyakorisági és mennyiségi utasításokat. A nem elegendő zsírozás a mozgó alkatrészek sérülését okozhatja.

Hajtótengely:

Tegyén bele kenőzsírt (Makita N No.2 vagy azzal egyenértékű kenőzsírt) minden 30 órányi használat után.

► **Ábra31**

MEGJEGYZÉS: Eredeti Makita kenőzsír a helyi Makita forgalmazótól szerezhető be.

Zsírral kenés

Kenési intervallum: minden 25 órányi működés után

1. A kenéshez vegye ki a fejescsavart a furatból.
► **Ábra32:** 1. Csavar
2. Távolítsa el a zsírzó edény kupakját. Igazítsa a zsírzó edény kimenetét a fedélen lévő furathoz, majd forgassa el a zsírzó edényt úgy, hogy a kimenete a furatba csatlakozzon.
► **Ábra33:** 1. Zsírzó edény 2. Furat
3. Tegye a szerszáma a zsírt (útmutatásként körülbelül 3 g-ot).
4. Távolítsa el a zsírzó edényt.
5. Szorítsa meg a fejescsavart.

Nyírópengék reszelése

MEGJEGYZÉS: Ha a reszelés jelentősen deformálta a nyírópengéket, cserélje ki azokat újakra.

1. Helyezze be az akkumulátort a szerszámba.
2. Kapcsolja be és indítsa el a szerszámot, hogy a felső és az alsó penge úgy helyezkedjen el, hogy nem fedi egymást.
► **Ábra34**

3. Kapcsolja ki a szerszámot, és távolítsa el belőle az akkumulátort.

4. Állítsa a reszelőt 45°-os szögbe, majd reszelje meg a felső pengét a reszelővel 3 irányból.

► **Ábra35:** (1) Reszelő (2) 45°

⚠VIGYÁZAT: A nyírópengék reszelése előtt ellenőrizze, hogy a szerszám ki van kapcsolva, és az akkumulátor eltávolításra került.

5. Helyezze a szerszámot fejfel lefelé, majd távolítsa el a lehúzókövel a nyírópengékről a sorját.

► **Ábra36:** 1. Lehúzókö

6. Állítsa a reszelőt 45°-os szögbe, majd reszelje meg az alsó pengét a reszelővel 3 irányból.

7. Fordítsa vissza a szerszámot a rendes pozícióba, majd távolítsa el a lehúzókövel a nyírópengékről a sorját.

HIBAEHÁRÍTÁS

Mielőtt a szervizhez fordulna, először végezzen saját maga is átvizsgálást. Ha olyan problémát talál, amire a kézikönyv nem tartalmaz magyarázatot, ne próbálja meg szétszedni az eszközt. Ehelyett kérjen tanácsot a Makita hivatalos szervizközpontjától, és javításhoz mindig Makita cserealkatrészeket használjon.

Rendellenesség	Lehetséges ok (meghibásodás)	Megoldás
A motor nem indul be.	-	Tekintse meg a meghajtóegység használati útmutatóját.
A motor rövid időn belül leáll.	-	Tekintse meg a meghajtóegység használati útmutatóját.
A motor fordulatszámra nem növelhető.	-	Tekintse meg a meghajtóegység használati útmutatóját.
A nyírópengék nem mozognak: ⇒ azonnal állítsa le a gépet!	Idegen tárgyak vannak beszorulva a nyírópengék közé.	Kapcsolja ki a szerszámot, és távolítsa el az akkumulátort, majd távolítsa el az idegen tárgyakat egy szerszám, például fogó segítségével.
	A meghajtórendszer nem működik megfelelően.	Javításért forduljon a kijelölt helyi szervizhez.
A gép rendellenesen rezeg: ⇒ azonnal állítsa le a gépet!	A nyírópengék törtek, görbék vagy tompák.	Cserélje ki a nyírópengéket.
	A meghajtórendszer nem működik megfelelően.	Javításért forduljon a kijelölt helyi szervizhez.
A nyírópengék és a motor nem állnak le: ⇒ Haladéktalanul távolítsa el az akkumulátort!	Elektromos hiba.	Vegye ki az akkumulátort, és javításért forduljon a kijelölt helyi szakszervizhez.

OPCIONÁLIS KIEGÉSZÍTŐK

⚠ VIGYÁZAT: Ezen kiegészítőket és tartozékokat javasoljuk a kézikönyvben ismertetett Makita géphez. Bármilyen más kiegészítő vagy tartozék használata a személyi sérülés kockázatával jár. A kiegészítőt vagy tartozékot csak rendeltetésszerűen használja.

Ha bármilyen segítségre vagy további információra van szüksége ezekkel a tartozékokkal kapcsolatban, keresse fel a helyi Makita Szervizközpontot.

- Nyírópenge szerelvény
- Zsírzó edény
- Eredeti Makita akkumulátor és töltő

MEGJEGYZÉS: A listában felsorolt alkatrészek egy része a termékhez mellékelte standard tartozék lehet. Ezek országonként eltérőek lehetnek.

TECHNICKÉ ŠPECIFIKÁCIE

Model:	EN402MP
Dĺžka čepele	500 mm
Celková dĺžka	1444 mm
Čistá hmotnosť	2,4 kg

- Vzhľadom na neustály výskum a vývoj podliehajú technické údaje uvedené v tomto dokumente zmenám bez upozornenia.
- Technické údaje sa môžu pre rôzne krajiny líšiť.

Schválená motorová jednotka

Používanie tohto nadstavca je schválené len s nasledujúcimi motorovými jednotkami:

- Akumulátorová multifunkčná motorová jednotka DUX60
- Akumulátorová multifunkčná motorová jednotka DUX18
- Akumulátorová multifunkčná motorová jednotka UX01G

VAROVANIE: Nadstavec nikdy nepoužívajte spolu s neschválenou motorovou jednotkou. Neschválená kombinácia môže spôsobiť vážne zranenie.

Symbols

Nižšie sú uvedené symboly, ktoré sa môžu používať pri tomto nástroji. Je dôležité, aby ste poznali ich význam, skôr než začnete pracovať.



Prečítajte si návod na obsluhu a dodržiavajte pokyny, ktoré sú v ňom uvedené.



NEBEZPEČENSTVO – Nepribližujte sa rukami k čepeľi.



Pozor na elektrické vedenia. Nebezpečenstvo zásahu elektrickým prúdom.



Používajte ochrannú prilbu, okuliare a chrániče sluchu.



Používajte ochranné rukavice.



Používajte pevnú obuv s neklzavou podrážkou.



Iné osoby a zvieratá sa nesmú k motorovému nástroju priblížiť na menej než 15 m (50 stóp).



V oblasti prevádzky sa nesmú nachádzať iné osoby ani domáce zvieratá.



Zaručená hladina akustického výkonu podľa smernice EÚ o vonkajšom hluku.



Hladina akustického výkonu podľa nariadenia austrálskeho NSW o znižovaní hluku

Určené použitie

Tento nadstavec slúži len na strihanie živých plotov v spojení so schválenou motorovou jednotkou. Nadstavec nikdy nepoužívajte na iné účely. Nesprávne používanie nadstavca môže spôsobiť vážne zranenie.

Vyhlasenie o zhode ES

Len pre krajiny Európy

My ako výrobcovia: **Makita Europe N.V.** so sídlom na adrese: **Jan-Baptist Vinkstraat 2, 3070 Kortenberg, BELGICKO.** Oprávňujeme **Hiroshi Tsujimura** na zostavenie technického súboru a na základe našej výlučnej zodpovednosti vyhlasujeme, že produkty: S označením: **Nožnice na živý plot.** Označenie typov: **EN402MP.**

Spĺňajú všetky príslušné ustanovenia smernice **2006/42/ES** a zároveň spĺňajú všetky príslušné ustanovenia nasledujúcich smerníc ES/EÚ: **2000/14/ES** a sú vyrobené v súlade s nasledujúcimi harmonizovanými normami: **EN62841-1:2015, EN 62841-4-2:2019, EN ISO 11806-1:2011.**

Miesto a dátum vyhlásenia: **Kortenberg, Belgicko. 20. 12. 2022**

Zodpovedná osoba: **Hiroshi Tsujimura, riaditeľ, Makita Europe N.V.**

BEZPEČNOSTNÉ VAROVANIA

Bezpečnostné varovania pre akumulátorový tyčový plotostrih

1. **Všetky časti tela udržiavajte v bezpečnej vzdialenosti od reznej čepele.** Počas doby, kedy sa čepele pohybujú, neodstraňujte odrezaný materiál ani nedržte materiál, ktorý budete odrezávať. Čepele sa ďalej pohybujú aj po vypnutí stroja. Chvilka nepozornosti počas používania plotostrihu môže spôsobiť vážne osobné poranenie.
2. **Držte plotostrih za rukoväť s čepeľou bez pohybu a dávajte pozor, aby ste neaktivovali žiadny vypínač.** Správnym nosením plotostrihu znížite riziko neúmyselného spustenia a následného zranenia čepeľami.
3. **Počas prepravy alebo skladovania plotostrihu vždy nasadte na čepele kryt.** Správnou manipuláciou s plotostrihom znížite riziko zranenia čepeľami.
4. **Pri čistení zaseknutého materiálu alebo údržbe zariadenia sa uistite, že všetky vypínače sú vypnuté a akumulátorová batéria je vybraná a odpojená.** Neočakávané spustenie plotostrihu pri čistení zaseknutého materiálu alebo pri vykonávaní údržby môže spôsobiť vážne zranenie.
5. **Plotostrih držte len za izolované plochy na uchopenie, pretože čepeľ sa môže dostať do kontaktu so skrytými vodičmi.** Čepele, ktoré sa dostanú do kontaktu s vodičom pod napätím, môžu spôsobiť prechod elektrického prúdu odhalenými kovovými časťami plotostrihu a spôsobiť obsluhu zásah elektrickým prúdom.
6. **Všetky napájacie káble udržiavajte v bezpečnej vzdialenosti od rezacej oblasti.** V živých plotoch alebo kríkoch môžu byť skryté napájacie káble, ktoré môže čepeľ náhodne prerezať.
7. **Plotostrih nepoužívajte počas zlých poveternostných podmienok, najmä ak hrozí riziko bleskov.** Znížite tým riziko zásahu bleskom.
8. **Na zníženie rizika zásahu elektrickým prúdom so smrteľnými následkami nikdy nepoužívajte tyčový plotostrih v blízkosti žiadnych elektrických napájacích káblov.** Pri kontakte s elektrickým vedením alebo pri práci v jeho blízkosti môže dôjsť k vážnym zraneniam alebo zásahu elektrickým prúdom s následkom smrti.
9. **Pri práci s tyčovým plotostrihom vždy používajte obe ruky.** Na zabránenie strate kontroly držte tyčový plotostrih oboma rukami.
10. **Pri práci s tyčovým plotostrihom nad hlavou vždy používajte ochranu hlavy.** Padajúce odstrihnuté časti môžu spôsobiť vážne poranenia.

Ďalšie bezpečnostné pokyny

Príprava

1. **TENTO PLOTOSTRIH MÔŽE SPÔSOBIŤ VÁŽNE PORANENIA.** Na správnu manipuláciu, prípravu, údržbu, spúšťanie a vypnutie náradia si dôkladne prečítajte tieto pokyny. Oboznámte sa so všetkými ovládacími prvkami a správnym používaním náradia.
2. **Pred použitím nástroja skontrolujte, či ploty alebo kríky neobsahujú cudzie predmety, ako napríklad drôtené ploty alebo skryté káble.**
3. **Nožnice na živé ploty nesmú používať deti a mladiství do veku 18 rokov.** Na osoby staršie ako 16 rokov toto obmedzenie nemusí vzťahovať, ak absolvujú zaškolenie pod dohľadom odborníka.
4. **V núdzových prípadoch okamžite vypnite náradie a odpojte akumulátor.**
5. **NEBEZPEČENSTVO - Ruky držte v dostatočnej vzdialenosti od čepele.** Kontakt s čepeľou bude mať za následok vážne osobné poranenia.
6. **Neskúseným používateľom by mal používanie plotostrihu predviesť skúsený používateľ tohto náradia.**
7. **Pred vykonávaním práce zistite, či sa na pracovisku nenachádzajú pletivové ploty, kamene alebo iné pevné predmety.** Tieto predmety by mohli spôsobiť poškodenie čepelel.
8. **S nožnicami na živé ploty pracujte, len ak ste v dobrom fyzickom stave.** Ak ste unavení, vaša pozornosť bude znížená. Zvlášť opatrní buďte na konci pracovného dňa. Všetky úkony vykonávajte pokojne a dôkladne. Používateľ je zodpovedný za škody spôsobené tretím stranám.
9. **Pred začatím práce skontrolujte, že sú nožnice v dobrom a bezpečnom prevádzkovom stave.** Skontrolujte, či sú chrániče nasadené správnym spôsobom. Nožnice na živé ploty sa nesmú používať, pokiaľ nie sú úplne zmontované.
10. **Vyhňte sa nebezpečným prostrediam.** Náradie nepoužívajte vo vlhkých a mokrych prostrediach ani ho nevystavujte účinkom dažďa. Ak do náradia vnikne voda, zvýši sa tým riziko zasiahnutia elektrickým prúdom.

Osobné ochranné pomôcky

1. **Pracovné rukavice z hrubej kože predstavujú základné vybavenie pre nožnice na živý plot a pri práci s nimi je nutné tieto ochranné pomôcky vždy používať.** Vždy používajte hrubé topánky s podrážkou zabraňujúcou pošmyknutiu.
2. **Na zabránenie poškodeniu sluchu používajte ochranu sluchu, ako sú napríklad tlmiče na uši.**
3. **Používajte ochranné okuliare, bezpečnostnú prilbu a ochranné rukavice, aby ste sa chránili pred odletujúcimi úlomkami alebo padajúcimi predmetmi.**
4. **Pri manipulácii s čepeľami alebo nastavovaní uhla čepelel používajte ochranné rukavice.** Na čepeľiach si môžete vážne poraziť ruky.

Prevádzka

1. **Pri práci s náradím vždy používajte obe ruky.** Pri držaní náradia len jednou rukou môže dôjsť k strate kontroly a následnému vážnemu poraneniu.
2. **Pri používaní náradia sa vždy uistite, že pracovná poloha je bezpečná.** Snaha dosiahnuť s náradím príliš ďaleko, a to zvlášť z rebriku, je veľmi nebezpečná. Činnosť nevykonávajte, keď stojíte na akomkoľvek vrátkom alebo nestabilnom povrchu.
3. **Pri používaní náradia nepoužívajte naraz viacero pásových a/alebo ramenných strojov.**
4. **Počas prevádzky zabezpečte, aby sa okoloostojace osoby alebo zvieratá zdržiavali vo vzdialenosti aspoň 15 m od nástroja.** Ak sa ktokoľvek priblíži, okamžite vypnite nástroj.
5. **Ak sečné náradie narazí na akýkoľvek predmet alebo začne vydávať nezvyčajný hluk alebo vibrácie, okamžite náradie vypnite, odpojte akumulátor a nechajte náradie, aby sa zastavilo.** Potom vykonajte nasledujúce kroky:
 - zistíte poškodenie
 - skontrolujte a utiahnite všetky uvoľnené diely
 - dajte všetky poškodené diely opraviť alebo vymeniť za originálne náhradné diely.
6. **Náradie používajte len na jeho určený účel. Náradie nepoužívajte na žiadne iné účely.**
7. **Vypnite náradie a vyberte akumulátor pred vykonávaním nasledujúcich činností:**
 - čistenie alebo pri čistení v prípade zablokovania,
 - kontrola, vykonávanie údržby alebo akejkoľvek práce na náradi,
 - nastavovanie pracovnej polohy strihacích čepelí,
 - vždy, keď nechávate náradie bez dozoru.
8. **Pred spustením náradia sa vždy uistite, že náradie je správne umiestnené v určenej pracovnej polohe.**
9. **Náradie nepoužívajte, ak sú poškodené alebo nadmerne opotrebované strihacie čepele.**
10. **Vždy buďte v strehu a dávajte pozor na svoje okolie a možné nebezpečenstvá, o ktorých nemusíte vedieť z dôvodu hluku náradia.**
11. **Počas činnosti dávajte pozor, aby ste náhodne neprišli do styku s kovovým oplotením alebo inými tvrdými predmetmi.** Čepele sa môžu zlomiť a spôsobiť vážne zranenie.
12. **Zabráňte náhodnému spusteniu. Neprenášajte náradie s nainštalovaným akumulátorom a s prstom na spínači. Pri inštalácii akumulátora sa uistite, že spínač je vypnutý.**
13. **Pri dvíhaní alebo držaní náradia sa nedotýkajte odhalených rezných čepelí ani rezných hrán.**
14. **Nevyvíjajte na nástroj veľký tlak.** Pri hodnotách, na ktoré bolo skonštruované, bude vykonávať svoju činnosť lepšie a s menšou pravdepodobnosťou vzniku rizika alebo poranení.
15. **Náradie nepoužívajte počas dažďa alebo vo veľmi vlhkom prostredí.** Elektrický motor nie je vodotesný.
16. **Počas používania zariadenie držte pevne.**
17. **Nepoužívajte náradie zbytočne bez záťaže.**
18. **Pred kontrolou strihacích čepelí, odstraňovaním porúch alebo v prípade odstraňovania materiálu zachyteného v strihacích čepeliach náradie vždy vypnite a vyberte akumulátor.**

19. **Čepele nožnic nikdy nemierne na seba ani na iných.**
20. **Ak sa čepele prestanú pohybovať v dôsledku zaseknutia cudzích predmetov medzi čepelami počas prevádzky, vypnite nástroj, vyberte akumulátor a pomocou náradia, ako sú kliešte, odstráňte cudzie predmety.** Ak budete cudzie predmety vyberať rukami, môže dôjsť k ublíženiu na zdraví vzhľadom na skutočnosť, že čepele sa môžu pohnúť pri reakcii na odstraňovanie cudzích predmetov.
21. **Pri pripájaní alebo odpájaní krytu čepele si dajte pozor na to, aby ste si neporanili ruky.**

Bezpečnosť pri práci s elektrickým náradím a akumulátorom

1. **Vyhýbajte sa nebezpečným prostrediam. Nástroj nepoužívajte vo vlhkých a mokrych prostrediach ani ho nevystavujte účinkom dažďa.** Ak do nástroja vnikne voda, zvýši sa tým riziko zasiahnutia elektrickým prúdom.
2. **Akumulátor(y) nelikvidujte odhodením do ohňa.** Článok môže vybuchnúť. Informácie o možných zvláštnych predpisoch týkajúcich sa likvidácie nájdete v miestnych zákonoch.
3. **Akumulátor(y) neotvárajte ani neznehodnocujte.** Uvoľnený elektrolýt je leptavý a môže spôsobiť poškodenie zraku alebo pokožky. V prípade požitia môže byť jedovatý.
4. **Batérie nenabíjajte na daždi ani na mokrych miestach.**
5. **Akumulátor nenabíjajte v exteriéri.**
6. **Nedotýkajte sa nabíjačky vrátane zástrčky a nabíjajúcich svoriek mokrymi rukami.**

Údržba a uskladnenie

1. **Keď je náradie zastavené na účely vykonávania servisu, kontroly alebo uskladnenia, vypnite náradie, vyberte akumulátor a uistite sa, že všetky pohyblivé časti sa úplne zastavili.** Pred vykonávaním akejkoľvek kontroly, nastavenia atď. nechajte náradie vychladnúť.
2. **Pred uskladnením nechajte náradie vychladnúť.**
3. **Keď náradie nepoužívate, dajte na čepel kryt a uskladnite ho vo vnútri na suchom a dobre uzamknutom mieste – mimo dosahu detí.**
4. **Údržbu náradia vykonávajte dôsledne. Na dosiahnutie maximálnej výkonnosti a zníženie rizika poranenia udržiavajte rezné hrany ostré a čisté. Pri mazaní a výmene príslušenstva sa riaďte príslušnými pokynmi. Drždáľ udržiavajte suché, čisté, bez znečistenia olejom a mazivom.**
5. **Kontrolujte prípadné poškodenie súčastí. Pred ďalším používaním náradia je potrebné dôkladne skontrolovať, či nie je poškodený akýkoľvek diel s cieľom overiť správne fungovanie a určenú funkciu. Skontrolujte či sú pohyblivé diely zarovnané, či nie sú uviaznuté, či niektoré diely nie sú zlomené, zle namontované, a či sú v takom stave, ktorý nebude mať negatívny vplyv na prevádzku. Chránič alebo iné poškodené diely sa musia správne opraviť alebo vymeniť v autorizovanom servisnom stredisku.**

6. Používajte iba originálne náhradné diely.
7. Počas prenášania náradia na iné miesto vrátane prenášania počas vykonávania práce vždy vyberte akumulátor a na strihacie čepele nasadte kryt. Nikdy neprenášajte náradie s pohybujúcimi sa čepeľami. Čepele nikdy nechytajte rukou.
8. Po použití a pred dlhodobým uskladnením náradie vyčistite, a to hlavne strihacie čepele. Strihacie čepele zľahka naolejujte a nasadte kryt.
9. Akumulátor(y) nelikvidujte odhodením do ohňa. Článok môže vybuchnúť. Informácie o možných zvláštnych predpisoch ohľadne likvidácie nájdete v miestnych zákonoch.
10. Akumulátor(y) neotvárajte ani neznehodnocujte. Uvoľnený elektrolyt je leptavý a môže spôsobiť poškodenie zraku alebo pokožky. V prípade požitia môže byť jedovatý.
11. Batériu nenabíjajte na daždi ani na mokrych miestach.

TIETO POKYNY USCHOVAJTE.

VAROVANIE: NIKDY nepripustíte, aby sebavedomie a dobrá znalosť výrobku (získané opakovaným používaním) nahradili presné dodržiavanie bezpečnostných pravidiel pre náradie. **NESPRÁVNE POUŽÍVANIE** alebo nedodržiavanie bezpečnostných zásad uvedených v tomto návode môže viesť k vážnemu zraneniu.

POPIS SÚČASTÍ

- **Obr.1:** 1. Kryt čepeľí 2. Rukoväť nastavenia uhla 3. Kryt 4. Čepele nožnic 5. Posúvací páka 6. Predné drždalo

ZOSTAVENIE

VAROVANIE: Pred zostavením alebo nastavením zariadenia vypnite motor a vyberte akumulátor. Inak sa zariadenie môže neúmyselne spustiť a spôsobiť zranenie.

VAROVANIE: Pri zostavovaní a nastavení zariadenia vždy položte. Pri zostavovaní alebo nastavovaní zariadenia v zvislej polohe môže dôjsť k vážnemu zraneniu.

VAROVANIE: Riadte sa varovaniami a preventívnymi opatreniami uvedenými v kapitole „BEZPEČNOSTNÉ VAROVANIA“ a návodom na používanie motorovej jednotky.

Zostavenie nadstavca

1. Odstráňte kryt z nadstavca.
► **Obr.2:** 1. Kryt
2. Vložte tyč do nadstavca tak, aby otvor na tyči bol zarovnaný s otvorom na nadstavci. Najskôr bezpečne utiahnite krátku skrutku a potom utiahnite dlhú skrutku, aby ste upevnili tyč.
► **Obr.3:** 1. Otvor 2. Tyč 3. Skrutka (krátka) 4. Skrutka (dlhá)

POZNÁMKA: Pri doťahovaní matice použite uťahovací moment 4,0 – 6,0 N•m.

Montáž tyče nadstavca

POZOR: Po inštalácii vždy skontrolujte, či je tyč nadstavca bezpečne pripevnená. Nesprávna inštalácia môže spôsobiť, že nadstavec sa odpojí od motorovej jednotky a spôsobí poranenie.

Nasadte tyč nadstavca na napájajúcu jednotku.

1. Odstráňte kryt z konca tyče.
► **Obr.4:** 1. Tyč 2. Kryt

UPOZORNENIE: Kryt nevyhadzujte, pretože je potrebný pri uskladnení nadstavca.

2. Otočte páčku smerom k nadstavcu.
► **Obr.5:** 1. Páčka
3. Čap zarovnajete so šípkou na motorovej jednotke. Zasuňte tyč, až kým nevyskočí uvoľňovacie tlačidlo. Skontrolujte, či je čiara označujúca polohu na hrote šípky na motorovej jednotke a že šípka na motorovej jednotke a šípka na tyči smerujú k sebe.
► **Obr.6:** 1. Uvoľňovacie tlačidlo 2. Šípka na motorovej jednotke 3. Kolík 4. Čiara označujúca polohu 5. Šípka na tyči

4. Otočte páčku smerom k motorovej jednotke.
► **Obr.7:** 1. Páčka

Povrch páčky musí byť v jednej rovine s tyčou.

UPOZORNENIE: Pred uťahovaním páčky zasuňte tyč nadstavca. V opačnom prípade môže páčka príliš silno stiahnuť otvor na hnací hriadeľ a poškodiť ho.

Ak chcete tyč odpojiť, otočte páčku smerom k príslušenstvu a po stlačení uvoľňovacieho tlačidla ťahajte tyč smerom von.

- **Obr.8:** 1. Uvoľňovacie tlačidlo 2. Páčka 3. Tyč

Montáž a demontáž čepeľí nožnic

POZOR: Pri výmene čepeľí nožnic majte vždy nasadené rukavice, aby sa vaše ruky nedostali do priameho kontaktu s čepeľami.

POZOR: Pred demontážou alebo montážou čepeľí nožnic nasadte kryt čepeľí.

UPOZORNENIE: Pri výmene čepeľí nožnic neutierajte mazivo z kľuky.

POZNÁMKA: Pred montážou alebo demontážou strihacích čepelí vyklopte nadstavec tak, aby bol nadstavec rovnobežne s tyčou.

1. Nasadte kryt čepelí na čepele nožnic.
► **Obr.9:** 1. Kryt čepelí
2. Otočte nadstavec naopak.
3. Odstráňte 4 skrutky pomocou šesťhranného kľúča a odstráňte kryt a platňu (veľkú).
► **Obr.10:** 1. Skrutka 2. Kryt 3. Platňa (veľká)
4. Pomocou plochého skrutkovača otočte kľuku tak, aby bola kľuka umiestnená v smere znázornenom na obrázku.
► **Obr.11:** 1. Kľuka
5. Odstráňte 2 skrutky.
► **Obr.12:** 1. Skrutka
6. Odstráňte plstený kotúč (krátky), plstený kotúč (dlhý), platňu (malú) a objímky.
► **Obr.13:** 1. Plstený kotúč (krátky) 2. Plstený kotúč (dlhý) 3. Platňa (malá) 4. Objímka
7. Odstráňte čepele nožnic z nadstavca.
► **Obr.14**
8. Odstráňte kryt čepelí a potom ho nainštalujte na nové strihacie čepele.
9. Odstráňte kryt proti prachu z čepelí nožnic a potom ho pripojte na nové čepele nožnic do polohy znázornenej na obrázku.
► **Obr.15:** 1. Kryt proti prachu
10. Vložte skrutku, ktorú ste odstránili v kroku 5, do otvoru na čepeliach nožnic cez otvor v kryte čepelí.
► **Obr.16:** 1. Otvor 2. Skrutka
11. Naneste trochu maziva do okolia kľuky. Pripojte čepele nožnic k nadstavcu.
► **Obr.17**
12. Pripojte objímky a platňu (malú) k čepeliach nožnic a utiahnite skrutku.
► **Obr.18:** 1. Skrutka 2. Platňa (malá) 3. Objímka
13. Odstráňte skrutku vloženú do otvoru na čepeliach nožnic v kroku 10 a potom dotiahnite skrutku na upevnenie čepelí nožnic.
14. Pripojte plstený kotúč (krátky) a plstený kotúč (dlhý).
► **Obr.19:** 1. Plstený kotúč (krátky) 2. Plstený kotúč (dlhý)
15. Pripevnite platňu (veľkú) a kryt a potom dotiahnite 4 skrutky.
► **Obr.20:** 1. Skrutka 2. Kryt 3. Platňa (veľká)

UPOZORNENIE: Ak čepele nožnic nepracujú správne, čepele nie sú v správnom kontakte s kľukou. Demontujte čepele a znova ich nainštalujte.

UPOZORNENIE: Ak dôjde k opotrebovaniu iných dielov, ako sú čepele nožnic, napr. kľuka, požiadajte autorizované servisné strediská spoločnosti Makita o náhradné diely či opravu.

OPIS FUNKCIÍ

▲POZOR: Pred úpravou alebo kontrolou funkčnosti nástroja vždy skontrolujte, či je nástroj vypnutý a akumulátor je vybratý.

Nastavenie uhla rezania

▲POZOR: Pred nastavovaním uhla rezania sa vždy uistite, že nástroj je vypnutý.

Uhol sklopenia hlavy možno nastaviť v 13 krokoch. Na zmenu uhla sklopenia hlavy postupujte podľa krokov uvedených nižšie.

1. Uchopte rukoväť nastavenia uhla, potom potiahnite za posúvaciu páku a súčasne nastavte uhol sklopenia hlavy a následne uvoľnite posúvaciu páku.
► **Obr.21:** 1. Posúvacia páka 2. Rukoväť nastavenia uhla
2. jemne posuňte hlavu, kým s kliknutím nezaskočí na svoje miesto.

POZNÁMKA: Pred spustením náradia sa uistite, že hlava je pevne zaistená na svojom mieste.

PREVÁDZKA

▲VAROVANIE: Riadte sa varovaniami a preventívnymi opatreniami uvedenými v kapitole „BEZPEČNOSTNÉ VAROVANIA“ a návodom na používanie motorovej jednotky.

Prevádzka náradia

▲VAROVANIE: Náradie nepoužívajte v blízkosti žiadnych elektrických vedení. Pri kontakte s elektrickým vedením alebo pri práci s náradím v jeho blízkosti môže dôjsť k vážnym zraneniam alebo zásahu elektrickým prúdom s následkom smrti.

▲VAROVANIE: Ruky držte mimo čepelí nožnic.

▲VAROVANIE: Počas celej doby buďte veľmi opatrní a udržiavajte si nad náradím kontrolu. Zabráňte, aby sa náradie vychýlilo smerom k vám alebo smerom ku komukoľvek v okolí miesta vykonávania práce. Opomenutie dodržiavať ovládanie náradia môže viesť k vážnemu poraneniu okolostojacich a obsluhy.

▲POZOR: Podľa možností sa vyhňte prevádzkovaniu zariadenia pri mimoriadne horúcom počasi. Pri prevádzkovaní zariadenia dávajte pozor na svoj fyzický stav.

▲POZOR: Počas strihania dávajte pozor, aby ste náhodne neprišli do styku s kovovým oplotením alebo inými tvrdými predmetmi. Čepele nožnic sa môžu zlomiť a spôsobiť zranenie.

▲POZOR: Dávajte pozor, aby čepele nožnic neprišli do kontaktu so zemou. Môže dôjsť k spätnému rázu zariadenia a následnému zraneniu.

▲POZOR: Snaha prekračovať dosah nožnic na živé ploty, a to obzvlášť z rebriku, je veľmi nebezpečná. Činnosť strihania nevykonávajte, keď stojíte na vratkom a nestabilnom predmete.

UPOZORNENIE: Nepokúšajte sa s týmto zariadením strihať vetvy hrubšie ako 10 mm v priemere. Pred použitím tohto zariadenia odstrihnite konáre pomocou nožnic na konáre na dĺžku o 10 cm kratšiu ako výška kosenia.

► Obr.22: (1) Výška kosenia (2) 10 cm

UPOZORNENIE: Nepoužívajte na odstrihovanie odumretých stromov a podobných tvrdých predmetov. V opačnom prípade môže dôjsť k poškodeniu zariadenia.

UPOZORNENIE: Pomocou čepelí nožnic na živé ploty nestrihajte trávu ani burinu. Čepele nožnic by sa mohli zamotať do trávy alebo buriny.

Uchopte nástroj oboma rukami tak, že uchopíte prednú rukoväť motorovej jednotky alebo predné držadlo nastavca a zadné držadlo motorovej jednotky.

► Obr.23: 1. Predná rukoväť 2. Zadné držadlo

Držte stlačenú poistnú páčku, potiahnite spúšťač spínača a potom posuňte nástroj dopredu.

► Obr.24

V rámci bežnej prevádzky skloňte čepel nožnic smerom k smeru strihania a pohybujte nimi pokojne a pomaly rýchlosťou jeden meter za 3 až 4 sekundy.

► Obr.25

Na rovnomerné ostrihanie živého plotu je dobré, ak budete strihať smerom zdola nahor.

► Obr.26

Keď striháte na okrúhly tvar (strihanie krušpánu alebo rododendronu), strihajte od koreňa smerom hore na dosiahnutie krásneho výsledku.

► Obr.27

ÚDRŽBA

VAROVANIE: Pred kontrolou alebo údržbou zariadenia vypnite motor a vyberte akumulátor. Inak sa zariadenie môže neúmyselne spustiť a spôsobiť vážne zranenie.

VAROVANIE: Keď vykonávate kontrolu alebo údržbu zariadenia, zariadenie vždy položte. Pri zostavovaní alebo nastavovaní zariadenia v zvislej polohe môže dôjsť k vážnemu zraneniu.

VAROVANIE: Riadte sa varovaniami a preventívnymi opatreniami uvedenými v kapitole „BEZPEČNOSTNÉ VAROVANIA“ a návodom na používanie motorovej jednotky.

POZOR: Kontrolu alebo údržbu vždy vykonávajte v rukaviciach.

UPOZORNENIE: Nepoužívajte benzín, riedidlo, alkohol ani podobné látky. Mohlo by to spôsobiť zmenu farby, deformácie alebo praskliny.

Ak chcete udržať BEZPEČNOSŤ a BEZPORUCHOVOSŤ výrobu, prenechajte opravy, údržbu a nastavenie na autorizované alebo továrenské servisné centrá Makita, ktoré používajú len náhradné diely značky Makita.

Čistenie zariadenia

Zariadenie očistite utretím prachu čistou handričkou alebo handričkou navlhčenou mydlovou vodou a následne vyzmýkanou.

UPOZORNENIE: Nepoužívajte benzín, riedidlo, alkohol ani podobné látky. Mohlo by to spôsobiť zmenu farby, deformácie alebo praskliny.

Údržba čepelí nožnic

Pred použitím zariadenia alebo po každej hodine prevádzky naneste na čepel nožnic olej s nízkou viskozitou (strojový olej alebo mazací olej v spreji).

► Obr.28

Po používaní odstráňte prach z oboch strán čepelí nožnic pomocou drôtenej kefy, utrite ich handričkou a naneste na čepel nožnic olej s nízkou viskozitou (strojový olej alebo mazací olej v spreji).

► Obr.29

UPOZORNENIE: Čepele nožnic neumývajte vo vode. V opačnom prípade môže dôjsť k hrdzaveniu alebo k poškodeniu zariadenia.

UPOZORNENIE: Nečistoty a korózia spôsobujú nadmerné trenie čepelí a skracujú prevádzkový čas nabitého akumulátora.

Uskladnenie

Nasadte kryt čepelí na čepel nožnic tak, aby čepel neboli odhalené. Zariadenie bezpečne uskladnite mimo dosahu detí. Zariadenie uskladnite na mieste, ktoré nie je vystavené vplyvu vlhkosti ani vody. Pri skladovaní nastavca oddeleného od motorovej jednotky nasadte na koniec tyče kryt.

► Obr.30

Mazanie pohyblivých častí

UPOZORNENIE: Dodržiavajte pokyny upravujúce frekvenciu a množstvo nanášaného maziva. Nedostatočné mazanie môže spôsobiť poškodenie pohyblivých častí.

Hnacia os:

Aplikujte mazivo (mazivo Makita N No.2 alebo ekvivalent) po každých 30 hodinách prevádzky.

► Obr.31

POZNÁMKA: Originálne mazivo značky Makita si môžete kúpiť od miestneho predajcu spoločnosti Makita.

Nanášanie maziva

Interval mazania: Každých 25 prevádzkových hodín

1. Vyberte skrutku z otvoru na mazanie.

► Obr.32: 1. Skrutka

2. Odstráňte uzáver z nádoby na mazivo. Zarovnajtie vývod nádoby na mazivo s otvorom na kryte a potom otočením nádoby na mazivo pripevnite vývod nádoby na mazivo k otvoru.

► Obr.33: 1. Nádoba na mazivo 2. Otvor

- Naneste mazivo na nástroj (pomôcka: približne 3 g).
- Odstráňte nádobu na mazivo.
- Dotiahnite skrutku.

Brúsenie čepeľí nožníc

UPOZORNENIE: Ak sú čepele nožníc výrazne zdeformované brúsením, vymeňte čepele nožníc za nové.

- Namontujte na nástroj akumulátor.
- Zapnite a spustite nástroj tak, aby sa vrchná čepeľ a spodná čepeľ striedali.
► Obr.34
- Vypnite nástroj a vyberte akumulátor z nástroja.

- Nastavte uhol pilníka na 45° a nabrúste vrchnú čepeľ pomocou pilníka z 3 smerov.

► Obr.35: (1) Pilník (2) 45°

POZOR: Pred brúsením čepele nožníc sa uistite, že je nástroj vypnutý a že je akumulátor vybratý z nástroja.

- Umiestnite nástroj naopak a potom pomocou brúsneho kameňa odstráňte nerovnosti zo strihacích čepeľí.
► Obr.36: 1. Brúsný kameň
- Nastavte uhol pilníka na 45° a nabrúste spodnú čepeľ pomocou pilníka z 3 smerov.
- Vráťte nástroj do normálnej polohy a potom pomocou brúsneho kameňa odstráňte nerovnosti zo strihacích čepeľí.

RIEŠENIE PROBLÉMOV

Pred požiadanim o vykonanie opravy najprv vykonajte vlastnú kontrolu. Ak zistíte problém, ktorý nie je vysvetlený v návode, nepokúšajte sa nástroj rozoberať. Namiesto toho požiadajte o opravu autorizované servisné stredisko spoločnosti Makita, ktoré používajú len náhradné diely značky Makita.

Chybný stav	Predpokladaná príčina (porucha)	Náprava
Motor sa neštartuje.	-	Postupujte podľa pokynov v návode na používanie motorovej jednotky.
Motor sa zakrátko vypne.	-	Postupujte podľa pokynov v návode na používanie motorovej jednotky.
Otáčky motora sa nezvyšujú.	-	Postupujte podľa pokynov v návode na používanie motorovej jednotky.
Strihacie čepele sa nepohybujú: ⇒ okamžite náradie zastavte!	Medzi strihacími čepeľami sú zachytené cudzie predmety.	Vypnite náradie, vyberte akumulátor a potom odstráňte cudzie predmety pomocou nástrojov, ako sú napríklad kliešte.
	Systém pohonu nefunguje správne.	O opravu požiadajte miestne autorizované servisné stredisko.
Nadmerné vibrácie: ⇒ okamžite náradie zastavte!	Strihacie čepele sú zlomené, ohnuté alebo opotrebované.	Vymeňte strihacie čepele.
	Systém pohonu nefunguje správne.	O opravu požiadajte miestne autorizované servisné stredisko.
Strihacie čepele a motor sa nedajú zastaviť: ⇒ Ihneď odnňte akumulátor!	Elektrická porucha.	Odnňte akumulátor a o opravu požiadajte miestne autorizované servisné stredisko.

VOLITEĽNÉ PRÍSLUŠENSTVO

POZOR: Pre váš výrobok Makita opísaný v tomto návode odporúčame používať toto príslušenstvo alebo nadstavce. Pri použití iného príslušenstva či nadstavcov môže hroziť nebezpečenstvo zranenia osôb. Príslušenstvo a nadstavce sa môžu používať len na stanovené účely.

Ak potrebujete bližšie informácie týkajúce sa tohoto príslušenstva, obráťte sa na vaše miestne servisné stredisko firmy Makita.

- Zostava čepeľí nožníc
- Nádobu na mazivo
- Originálna batéria a nabíjačka Makita

POZNÁMKA: Niektoré položky zo zoznamu môžu byť súčasťou balenia produktu vo forme štandardného príslušenstva. Rozsah týchto položiek môže byť v každej krajine odlišný.

SPECIFIKACE

Model:	EN402MP
Délka čepele	500 mm
Celková délka	1444 mm
Čistá hmotnost	2,4 kg

- Vzhledem k neustálému výzkumu a vývoji podléhají zde uvedené specifikace změnám bez upozornění.
- Specifikace se mohou pro různé země lišit.

Schválená motorová jednotka

Tento nástavec se smí používat pouze s následujícími motorovými jednotkami:

- Akumulátorová multifunkční motorová jednotka DUX60
- Akumulátorová multifunkční motorová jednotka DUX18
- Akumulátorová multifunkční motorová jednotka UX01G

VAROVÁNÍ: Nikdy nepoužívejte nástavec s motorovou jednotkou, která není schválená. Při použití v neschválené kombinaci může dojít k vážnému zranění.

Symbyoly

Níže jsou uvedeny symboly, se kterými se můžete při použití nářadí setkat. Je důležité, abyste dříve, než s ním začnete pracovat, pochopili jejich význam.



Přečtěte si pokyny v návodu k obsluze a dodržujte je.



NEBEZPEČÍ – Udržujte své ruce v bezpečné vzdálenosti od nože.



Dejte pozor na elektrické vedení. Nebezpečí úrazu elektrickým proudem.



Používejte ochrannou přilbu, brýle a ochranu sluchu.



Noste ochranné rukavice.



Noste pevnou obuv s protiskluzovou podrážkou.



Nepoužívejte nářadí, pokud se ve vzdálenosti menší než 15 m (50 stop) vyskytují přihlížející osoby nebo zvířata.



V oblasti, kde pracujete s nářadím, se nesmí vyskytovat žádné osoby ani zvířata.



Zaručená hladina akustického výkonu podle směrnice EU o hluku ve venkovním prostoru.



Hladina akustického výkonu podle nařízení australské vlády NSW o kontrole hluku

Účel použití

Tento nástavec je určen pouze ke stříhání živých plotů ve spojení se schválenou motorovou jednotkou. Nástavec nikdy nepoužívejte k žádným jiným účelům. Pokud je nástavec používán k nesprávnému účelu, může dojít k vážnému úrazu.

Prohlášení ES o shodě

Pouze pro evropské země

My, jako výrobci: **Makita Europe N.V.**, obchodní adresa: **Jan-Baptist Vinkstraat 2 3070 Kortenberg BELGIE**, pověřujeme pana **Hirošiho Cudžimuru** sestavováním technického souboru a prohlašujeme na vlastní odpovědnost, že produkty; s označením: **Nástavec zastříhovače živých plotů. označení typů: EN402MP.**

splňují všechna příslušná ustanovení směrnice **2006/42/ES** a také splňují všechna příslušná ustanovení následujících směrnic ES/EU: **2000/14/ES** a také jsou vyrobena podle všech příslušných ustanovení následujících harmonizovaných norem: **EN62841-1:2015, EN 62841-4-2:2019, EN ISO 11806-1:2011.** Místo a datum prohlášení: **Kortenberg, Belgie. 20. 12. 2022**

Odpovědná osoba: **Hiroši Cudžimura, ředitel – Makita Europe N.V.**

BEZPEČNOSTNÍ VÝSTRAHY

Bezpečnostní varování k akumulátorovému plotostříhu na tyči

1. **Nepřibližujte se jakoukoliv částí těla k nožům. Neodstraňujte stříhaný materiál a nedržte materiál, když se nože pohybují.** Nože se pohybují i po vypnutí hlavního spínače. Chvilé nepozornosti při používání plotostříhu může mít za následek vážné zranění.
2. **Plotostřih přenášíte za rukojeť, nože musí být přitom zastaveny a nesmí dojít k použití vypínače.** Správný způsob přenášení plotostříhu snižuje riziko náhodného spuštění a následného zranění osob noží nástroje.
3. **Při přepravě a skladování plotostříhu vždy na nože nasaďte kryt.** Správný způsob manipulace s plotostřihem snižuje riziko zranění osob noží nástroje.
4. **Při odstraňování zaseknutého materiálu nebo opravách zařízení dávejte pozor, aby všechny vypínače byly vypnuté a byl vyjmut či odpojen akumulátor.** Neočekávané spuštění plotostříhu během uvolňování zaseknutého materiálu nebo oprav může mít za následek vážné zranění.
5. **Plotostřih držte pouze za izolované části držadel, neboť nože mohou narazit na skryté elektrické vedení.** Nože mohou při kontaktu s vodičem pod napětím přenést proud do nechráněných částí nářadí a obsluha může utrpět úraz elektrickým proudem.
6. **Udržujte všechny napájecí a jiné kabely daleko od řezací oblasti.** Napájecí a jiné kabely mohou být skryté v plotu nebo křovině a může dojít k jejich náhodnému přefíznutí.
7. **Plotostřih nepoužívejte za nepříznivého počasí, zvláště existuje-li nebezpečí bouřek.** Snižuje se tím riziko zásahu obsluhy bleskem.
8. **Pro snížení rizika usmrcení elektrickým proudem nikdy nepoužívejte plotostřih na tyči poblíž elektrického vedení.** Kontakt s elektrickým vedením, ale i jen přiblížení k němu mohou vést k vážnému zranění elektrickým proudem, dokonce i smrtelnému.
9. **Během obsluhování plotostříhu na tyči vždy používejte obě ruce.** Plotostřih na tyči vždy držte oběma rukama, abyste nad ním neztratili kontrolu.
10. **Během používání plotostříhu na tyči ve výšce nad hlavou vždy používejte ochrannou helmu.** Padající materiál může způsobit vážné zranění.

Další bezpečnostní pokyny

Příprava

1. **TENTO PLOTOSTŘIH MŮŽE ZPŮSOBIT VÁŽNÉ ZRANĚNÍ.** Pečlivě si přečtete pokyny týkající se správné manipulace, přípravy, údržby, spuštění a zastavení nářadí. Seznamte se řádně se všemi ovládacími prvky a správným způsobem použití nářadí.

2. **Před prací s nářadím zkontrolujte, zda živé ploty a křoviny neskrývají cizí předměty, například drátěné ploty nebo elektrické vedení.**
3. **Zastříhovač nesmí používat děti a osoby mladší 18 let.** Mladiství starší 16 let mohou být tohoto omezení zproštěni, pokud pod dohledem odborníka absolvují školení.
4. **V případě nouzové situace nářadí okamžitě vypněte a vyjměte z něj akumulátor.**
5. **NEBEZPEČÍ - Nepřibližujte ruce k noži.** Kontakt s nožem způsobí vážné zranění.
6. **Uživatelé, kteří používají plotostřih poprvé, by měli požádat zkušené uživatele o radu, jak nástroj správně používat.**
7. **Před zahájením práce zkontrolujte, zda se v pracovní oblasti nenacházejí drátěné ploty, kameny či jiné pevné objekty.** Při kontaktu s těmito předměty může dojít k poškození nožů.
8. **Zastříhovač obsluhujte pouze tehdy, jste-li v dobrém fyzickém stavu.** Únava vede ke snížení pozornosti. Opatrní buďte zejména na konci pracovního dne. Veškerou práci provádějte klidně a opatrně. Uživatel je zodpovědný za všechny škody způsobené třetím stranám.
9. **Před zahájením práce zkontrolujte, zda je zastříhovač v dobrém stavu umožňujícím bezpečné používání.** Zkontrolujte, zda jsou správně nainstalovány kryty. Zastříhovač nesmí být používán, pokud není kompletní.
10. **Nepracujte v nebezpečném prostředí.** Nářadí nepoužívejte na vlhkých či mokřích místech a nevystavujte je dešti. Vnikne-li do nářadí voda, zvýší se nebezpečí úrazu elektrickým proudem.

Osobní ochranné prostředky

1. **K základnímu vybavení zastříhovače patří silné kožené rukavice, které je nutné při práci vždy používat.** Používejte také pevnou obuv s protiskluzovou podrážkou.
2. **K zamezení ztráty sluchu používejte ochranu sluchu (ochranná sluchátka).**
3. **Noste ochranné brýle, bezpečnostní helmu a ochranné rukavice, které vám poskytnou ochranu před odlétávajícím materiálem a padajícími předměty.**
4. **Pokud se chystáte manipulovat s noží nebo seřizovat jejich úhel, používejte ochranné rukavice.** Nechráněné ruce si můžete o nože vážně poranit.

Obsluha

1. **Během obsluhování nářadí vždy používejte obě ruce.** Používání jedné ruky může způsobit ztrátu kontroly a následně vážné zranění.
2. **Během používání nářadí vždy dbejte na to, aby bylapoloha těla bezpečná.** Natahování těla s nástrojem, zejména ze žebříku, je velice nebezpečné. Při práci nestůjte na kymácejícím se nebo jinak nestabilním povrchu.
3. **Během používání nářadí není dovoleno zároveň používat několik páskových či ramenních popruhů.**
4. **S nářadím pracujte ve vzdálenosti alespoň 15 m od zvířat nebo přihlížejících osob.** Zpozorujete-li, že se k vám někdo blíží, nářadí co nejdříve vypněte.

5. Jestliže řezací nářadí zasáhne nějaký předmět nebo začne vydávat neobvyklé zvuky či vibrace, okamžitě nářadí vypněte, vyjměte akumulátor a počkejte, než se nářadí zastaví. Poté postupujte následovně:
 - zkontrolujte, zda nedošlo k poškození
 - zkontrolujte a dotáhněte všechny uvolněné díly
 - veškeré poškozené díly nechte opravit nebo vyměnit za originální náhradní díly.
 6. Nářadí používejte pouze k určeným účelům. Nepoužívejte ho k žádnému jinému účelu.
 7. Před prováděním následujících činností je nutné nářadí vypnout a poté vyjmout akumulátor:
 - čištění nebo odstraňování zaseknutého materiálu,
 - kontrola, provádění údržby nebo práce na nářadí,
 - seřizování funkční police stříhacích nožů,
 - ponechání nástroje bez dozoru.
 8. Před spuštěním nářadí se ujistěte, že je ve správné, určené pracovní pozici.
 9. Nepoužívejte nářadí, jestliže má poškozené nebo nadměrně opotřebené stříhací nože.
 10. Vždy udržujte povědomí o svém okolí a dávejte pozor na možná nebezpečí, kterých si nemusíte snadno všimnout kvůli hluku, který nářadí vydává.
 11. Při používání dávejte pozor, abyste omylem nezasáhli kovový plot nebo jiné tvrdé objekty. Nůž se může zlomit a způsobit závažné zranění.
 12. Zamezte nechtěnému spuštění. Nepřenášejte nářadí se zapojeným akumulátorem a přestem na spoušti. Během vkládání akumulátoru do nářadí se ujistěte, že je vypnuté.
 13. Při zvedání či nošení nikdy nedržte plotostřih za odkryté části sekacích nožů či ostří.
 14. Nepoužívejte při práci s nářadím nadměrnou sílu. Nesnažte se zařízení zrychlovat. Zařízení svou práci vykoná lépe a s nižší pravděpodobností nebezpečí zranění takovou rychlostí, na jakou bylo zkonstruováno.
 15. Nepoužívejte plotostřih v dešti, ani v mokřem nebo ve vlhkém prostředí. Elektrický motor není voděodolný.
 16. Při práci držte nástroj pevně.
 17. Nástroj zbytečně nespouštějte naprázdno.
 18. Před kontrolou stříhacích nožů, opravováním závad či odstraňováním zachycených předmětů na stříhacích nožích nářadí vždy vypněte a vyjměte akumulátor.
 19. Nikdy nemířte stříhacími noži na sebe nebo jiné osoby.
 20. Jestliže se kotouč přestane za provozu pohybovat v důsledku uvíznutí cizích předmětů mezi noži, vypněte nářadí a vyjměte akumulátor; poté odstraňte cizí předměty pomocí vhodného nářadí (například kleští). Odstraňování cizorodých předmětů může mít za následek úrazu, protože nože se mohou pohnout v reakci na odstraňování cizího předmětu.
 21. Při nasazování nebo odstraňování krytu nožů buďte opatrní, abyste si neporanili ruce.
- Elektrická bezpečnost a bezpečnost akumulátorů**
1. **Nepracujte v nebezpečném prostředí.** Nářadí nepoužívejte na vlhkých či mokřích místech a nevystavujte je dešti. Vnikne-li do nářadí voda, zvýší se nebezpečí úrazu elektrickým proudem.
 2. **Akumulátor (akumulátory) nelikvidujte vzhazováním do ohně.** Články mohou vybuchnout. Při likvidaci postupujte podle místních předpisů, jež mohou zahrnovat zvláštní pokyny.
 3. **Akumulátory neotevírejte a nepoškozujte.** Vypuštěný elektrolyt je žíravý a může způsobit poranění očí nebo pokožky. Při spolknutí může být jedovatý.
 4. **Nenabíjejte baterii v dešti nebo na mokřích místech.**
 5. **Nenabíjejte akumulátor venku.**
 6. **S nabíječkou, včetně zástrčky nabíječky a svorek, nemanipulujte mokřima rukama.**
- Údržba a skladování**
1. Když je nářadí zastaveno kvůli opravám, kontrole nebo skladování, vypněte ho a vyjměte akumulátor. Poté se ujistěte, že se všechny pohyblivé části zastavily. Před kontrolou, seřízením atd. ponechte nářadí vychladnout.
 2. Před skladováním nechte plotostřih vždy vychladnout.
 3. **Není-li nářadí používáno, nasadte na něj kryt nožů a uložte ho pod střechu na suché a vyvěšené či uzamykatelné místo – mimo dosah dětí.**
 4. **O nářadí dobře pečujte.** Ostří nožů musí být ostré a čisté, aby bylo dosaženo nejlepší funkce nářadí a zároveň sníženo riziko zranění. Dodržujte pokyny pro mazání a výměnu příslušenství. Rukojeti udržujte suché, čisté a chraňte je před olejem a mazacím tukem.
 5. Zkontrolujte, zda nejsou některé díly poškozeny. Před dalším používáním nářadí je nutné pečlivě zkontrolovat jakékoli poškozené díly a zjistit, zda bude nářadí i nadále správně pracovat a plnit příslušnou funkci. Zkontrolujte seřízení pohyblivých částí, spojení pohyblivých částí, zda nejsou některé díly rozbité či uvolněné a zda nenastaly nějaké potíže ovlivňující funkci. Poškozený kryt či jiný díl musí být řádně opraven nebo vyměněn autorizovaným servisem.
 6. **Používat lze pouze originální náhradní díly.**
 7. **Při přenášení nářadí na jiné místo (i při práci) vždy vyjměte akumulátor a na stříhací nože nasadte kryt.** Nikdy nářadí nepřenášejte ani nepřpravujte, když jsou nože v provozu. Nožů se nikdy nedotýkejte rukama.
 8. **Po použití a před dlouhodobějším skladováním nářadí očistěte – zejména stříhací nože.** Lehce naolejujte stříhací nože a nasadte kryt.
 9. **Akumulátor (akumulátory) nelikvidujte vzhazováním do ohně.** Články mohou vybuchnout. Při likvidaci postupujte podle místních předpisů, jež mohou zahrnovat zvláštní pokyny.
 10. **Akumulátory neotevírejte a nepoškozujte.** Vypuštěný elektrolyt je žíravý a může způsobit poranění očí nebo pokožky. Při spolknutí může být jedovatý.

11. Nenabíjejte baterii v dešti nebo na mokřých místech.

TYTO POKYNY USCHOVEJTE.

VAROVÁNÍ: NEDOVOLTE, aby pohodlnost nebo pocit znalosti výrobku (získaný na základě předchozího použití) vedl k zanedbání dodržování bezpečnostních pravidel platných pro tento výrobek. **NESPRÁVNÉ POUŽÍVÁNÍ** či nedodržení bezpečnostních pravidel uvedených v tomto návodu k obsluze může způsobit vážné zranění.

POPIS DÍLŮ

- **Obr.1:** 1. Kryt nožů 2. Držadlo nastavení úhlu 3. Kryt 4. Stříhací nože 5. Posuvná páčka 6. Přední rukojeť

SESTAVENÍ

VAROVÁNÍ: Před montáží a seřizením zařízení vypněte motor a vyjměte akumulátor. Jinak se může stroj nechtěně spustit a způsobit zranění.

VAROVÁNÍ: Při montáži nebo seřizování mějte zařízení vždy položené na zemi. Provádě-li se montáž nebo seřizování zařízení ve svislé poloze, může dojít k vážnému zranění.

VAROVÁNÍ: Řiďte se výstrahami a dodržujte opatření uvedená v kapitole „BEZPEČNOSTNÍ VAROVÁNÍ“ a v návodu k obsluze motorové jednotky.

Montáž nástavce

1. Odejměte krytku nástavce.
► **Obr.2:** 1. Krytka
2. Nasadte trubku na nástavec tak, aby otvor na trubce byl zarovnan s otvorem na nástavci. Nejprve pevně utáhněte krátký šroub a pak utažením dlouhého šroubu upevněte trubku.
► **Obr.3:** 1. Otvor 2. Trubka 3. Šroub (krátký) 4. Šroub (dlouhý)

POZNÁMKA: Šrouby utahujte utahovacím momentem 4,0–6,0 N•m.

Montáž nástavcové tyče

UPOZORNĚNÍ: Po instalaci se vždy ujistěte, že je trubice nástavce bezpečně zajištěna. Nesprávná instalace může způsobit pád nástavce z hnací jednotky a následnému zranění.

Namontujte nástavcovou tyč na motorovou jednotku.

1. Odstraňte kryt z konce trubky.
► **Obr.4:** 1. Trubka 2. Kryt

POZOR: Krytku nevyhazujte, protože je potřeba pro následné uskladnění nástavce.

2. Otočte páčku směrem k nástavci.
► **Obr.5:** 1. Páčka
3. Kolík vyrovnejte se značkou šipky na hnací jednotce. Zasouvejte trubku, dokud uvolňovací tlačítko nevyškočí.
Dbejte, aby byla polohová čára na vrcholku značky šipky na hnací jednotce a aby značka na hnací jednotce a značka šipky na trubce směřovaly proti sobě.
► **Obr.6:** 1. Uvolňovací tlačítko 2. Značka šipky na hnací jednotce 3. Kolík 4. Polohová čára 5. Značka šipky na trubce
4. Otočte páčku směrem k motorové jednotce.
► **Obr.7:** 1. Páčka

Zajistěte, aby byla plocha páčky rovnoběžně s tyčí.

POZOR: Páčku neutahujte, pokud není zasunutá nástavcová tyč. Páčka by jinak mohla vstup hnacího hřídele příliš stáhnout a poškodit ho.

Chcete-li tyč vyjmout, otočte páčku směrem k nástavci a vytáhněte tyč při současném stisknutí uvolňovacího tlačítka.

- **Obr.8:** 1. Uvolňovací tlačítko 2. Páčka 3. Tyč

Montáž a demontáž stříhacích nožů

UPOZORNĚNÍ: Při nasazování stříhacích nožů vždy používejte rukavice, aby nedošlo k přímému kontaktu čepelí s rukama.

UPOZORNĚNÍ: Před montáží a demontáží stříhacích nožů nasadte na nože kryt.

POZOR: Při výměně stříhacích nožů nestírejte mazivo z kliky.

POZNÁMKA: Před montáží nebo demontáží stříhacích nožů nejprve rozložte nástavec tak, aby byl nástavec rovnoběžně s trubící.

1. Na stříhací nože nasadte kryt nožů.
► **Obr.9:** 1. Kryt nožů
2. Umístěte nástavec vzhůru nohama.
3. Vyšroubujte 4 šrouby pomocí šestihranného klíče a sejměte kryt a desku (velkou).
► **Obr.10:** 1. Šroub 2. Kryt 3. Deska (velká)
4. Otočte klikou pomocí plochého šroubováku tak, aby byla klika umístěna ve směru znázorněném na obrázku.
► **Obr.11:** 1. Klika
5. Vyšroubujte 2 šrouby.
► **Obr.12:** 1. Šroub
6. Sejměte plstěnou podložku (krátkou), plstěnou podložku (dlouhou), desku (malou) a objímku.
► **Obr.13:** 1. Plstěná podložka (krátká) 2. Plstěná podložka (dlouhá) 3. Deska (malá) 4. Objímka
7. Sejměte stříhací nože z nástavce.
► **Obr.14**

8. Sejměte kryt nožů a poté jej připevněte na nové nože.

9. Sejměte protiprachový kryt ze stříhacích nožů a poté jej připevněte na nové stříhací nože v poloze známé na obrázku.

► **Obr.15:** 1. Protiprachový kryt

10. Vložte šroub odšroubovaný v kroku 5 do otvoru na stříhacích nožích skrze otvor v krytu nožů.

► **Obr.16:** 1. Otvor 2. Šroub

11. Naneste malé množství vazelíny po obvodu kliky. Připevněte stříhací nože k nástavci.

► **Obr.17**

12. Připevněte objímky, desku (malou) ke stříhacím nožům a pak utáhněte šroub.

► **Obr.18:** 1. Šroub 2. Deska (malá) 3. Objímka

13. Odšroubujte šroub vložený do otvoru na stříhacích nožích v kroku 10, poté utáhněte, čímž upevníte stříhací nože.

14. Připevněte plstěnou podložku (krátkou) a plstěnou podložku (dlouhou).

► **Obr.19:** 1. Plstěná podložka (krátká) 2. Plstěná podložka (dlouhá)

15. Připevněte desku (velkou) a kryt a pak utáhněte 4 šrouby.

► **Obr.20:** 1. Šroub 2. Kryt 3. Deska (velká)

POZOR: Pokud stříhací nože nefungují správně, nože se správně nezapojí do kliky. Odmontujte nože a znovu je namontujte.

POZOR: Jestliže jsou nějaké části kromě stříhacích nožů, například hřídel, opotřebované, požádejte autorizované servisní centrum Makita o náhradní díly nebo opravu.

POPIS FUNKCÍ

⚠ UPOZORNĚNÍ: Před nastavováním nářadí nebo kontrolou jeho funkce se vždy přesvědčte, zda je vypnuté a je vyjmutý akumulátor.

Nastavení úhlu řezání

⚠ UPOZORNĚNÍ: Před nastavením úhlu řezání se vždy ujistěte, že je nářadí vypnuté.

Úhel hlavy lze nastavit do 13 poloh. Chcete-li změnit úhel hlavy, postupujte dle kroků níže.

1. Uchopte držadlo nastavení úhlu a zatáhněte za posuvnou páčku a upravte úhel hlavy, poté posuvnou páčku uvolněte.

► **Obr.21:** 1. Posuvná páčka 2. Držadlo nastavení úhlu

2. Lehce hlavicí pohněte, dokud se cvaknutím nezapadne.

POZNÁMKA: Před použitím nářadí se ujistěte, že je hlavicí bezpečně zajištěna.

PRÁCE S NÁŘADÍM

⚠ VAROVÁNÍ: Řiďte se výstrahami a dodržujte opatření uvedená v kapitole „BEZPEČNOSTNÍ VAROVÁNÍ“ a v návodu k obsluze motorové jednotky.

Používání nářadí

⚠ VAROVÁNÍ: Nepoužívejte nářadí poblíž elektrického vedení. Kontakt s elektrickým vedením, ale i jen přiblížení k němu mohou vést k vážnému zranění elektrickým proudem, dokonce i smrtelnému.

⚠ VAROVÁNÍ: Nepřibližujte ruce ke stříhacím nožům.

⚠ VAROVÁNÍ: Počínejte si velmi opatrně, abyste nad nářadím nikdy neztratili kontrolu. Nedovolte, aby se nářadí odrazilo směrem k vám či jakékoli osobě v blízkosti pracoviště. Ztráta kontroly nad nářadím může způsobit vážné zranění přihlížejících osob a obsluhy.

⚠ UPOZORNĚNÍ: S nářadím pokud možno nepracujte v horkém počasí. Při obsluze nářadí na sebe dávejte pozor.

⚠ UPOZORNĚNÍ: Při stříhání dávejte pozor, abyste omylem nezasáhli kovový plot nebo jiné tvrdé objekty. Stříhací nože mohou prasknout a způsobit zranění.

⚠ UPOZORNĚNÍ: Dávejte pozor, aby nepřišly stříhací nože do kontaktu se zemí. Nářadí se může odrazit a způsobit zranění.

⚠ UPOZORNĚNÍ: Přesahování zastříhovačem, zejména ze žebříku, je velice nebezpečné. Při práci nestůjte na kymácejícím se nebo jinak nestabilním povrchu.

POZOR: Nestříhejte s tímto nářadím větve silnější než 10 mm v průměru. Před použitím tohoto nářadí odstříhnete větve 10 cm pod úroveň výšky sečení pomocí nůžek na větve.

► **Obr.22:** (1) Výška sečení (2) 10 cm

POZOR: Nestříhejte uschlé stromy ani podobné tvrdé objekty. V opačném případě může dojít k poškození nářadí.

POZOR: Se stříhacími noži nestříhejte trávu ani plevele. Stříhací nože se mohou zamotat do trávy nebo plevelu.

Držte nářadí oběma rukama za přední držadlo motorové jednotky nebo přední rukojeť nástavce a zadní rukojeť motorové jednotky.

► **Obr.23:** 1. Přední držadlo 2. Zadní rukojeť

Stiskněte odjišťovací páčku při stisknutí spouští a následně pohněte nářadím kupředu.

► **Obr.24**

Při stříhání nakloňte stříhací nože ve směru stříhání a pomalu postupujte tak, abyste přes metr délky přešli za 3 až 4 sekundy.

► **Obr.25**

K dosažení rovnoměrného svislého zástříhu je vhodné stříhat zdola nahoru.

► **Obr.26**

Pokud chcete při stříhání dosáhnout zaobleného tvaru (zastříhování zimostrázu nebo rododendronu atd.), stříhejte od kořene k vršku.

► **Obr.27**

ÚDRŽBA

VAROVÁNÍ: Před prohlídkou nebo údržbou zařízení vypněte motor a vyjměte akumulátor. Jinak se může stroj nechtěně spustit a způsobit vážné zranění.

VAROVÁNÍ: Při kontrole nebo údržbě zařízení jej vždy položte. Provádí-li se montáž nebo seřizování zařízení ve svislé poloze, může dojít k vážnému zranění.

VAROVÁNÍ: Řiďte se výstrahami a dodržujte opatření uvedená v kapitole „BEZPEČNOSTNÍ VAROVÁNÍ“ a v návodu k obsluze motorové jednotky.

UPOZORNĚNÍ: Při provádění kontroly či údržby používejte ochranné rukavice.

POZOR: Nikdy nepoužívejte benzín, benzen, ředidlo, alkohol či podobné prostředky. Mohlo by tak dojít ke změnám barvy, deformacím či vzniku prasklin.

K zachování BEZPEČNOSTI a SPOLEHLIVOSTI výrobku musí být opravy a veškerá další údržba či seřizování prováděny autorizovanými nebo továrními servisními středisky společnosti Makita s využitím náhradních dílů Makita.

Čištění nástroje

Vyčistěte nástroj setřením prachu suchým hadrem nebo hadrem ponořeným do mýdlové vody a vyždímaným.

POZOR: Nikdy nepoužívejte benzín, benzen, ředidlo, alkohol či podobné prostředky. Mohlo by tak dojít ke změnám barvy, deformacím či vzniku prasklin.

Údržba stříhacích nožů

Před provozem nebo jednou za hodinu během provozu na stříhací nože naneste olej s nízkou viskozitou (strojní olej nebo mazací olej ve spreji).

► **Obr.28**

Po provozu odstraňte prach z obou stran stříhacích nožů drátěným kartáčem, setřete je hadrem a poté naneste na stříhací nože olej s nízkou viskozitou (strojní olej nebo mazací olej ve spreji).

► **Obr.29**

POZOR: Nemyjte stříhací nože ve vodě. V opačném případě může dojít ke korozi nebo poškození nástroje.

POZOR: Nečistoty a koroze vyvolají přílišné tření nožů a zkrátí výdrž akumulátoru.

Skladování

Nasaďte kryt nožů na stříhací nože, aby nebyly nože odkryty. Uchovávejte nářadí mimo dosah dětí. Uchovávejte nářadí na místě, kde nebude vystaveno vlhkosti a dešti. Při ukládání nástavce odděleně od motorové jednotky nasaďte na konec trubky kryt.

► **Obr.30**

Mazání pohyblivých částí

POZOR: Dodržujte pokyny týkající se frekvence mazání a množství nanášeného maziva. Při nedostatečném mazání hrozí poškození pohyblivých částí.

Hnací osa:

Nanášejte tuk (tuk Makita N No.2 nebo srovnatelný) každých 30 hodin provozu.

► **Obr.31**

POZNÁMKA: Originální mazivo Makita zakoupíte u místního prodejce Makita.

Mazání

Interval mazání: Každých 25 hodin provozu

1. Vyjměte šroub z otvoru za účelem jeho promazání.
► **Obr.32:** 1. Šroub
2. Odstraňte víčko z nádoby s mazivem. Zarovnejte výstup z nádoby s mazivem s otvorem v krytu a pak otočte nádobu s mazivem za účelem připevnění výstupu nádoby s mazivem do otvoru.
► **Obr.33:** 1. Nádoba s mazivem 2. Otvor
3. Naneste do nářadí mazivo (zhruba 3 g).
4. Odeberte nádobu s mazivem.
5. Utáhněte šroub.

Broušení stříhacích nožů

POZOR: Jestliže jsou stříhací nože broušením zásadně deformované, vyměňte je za nové.

1. Namontujte akumulátor do nářadí.
2. Zapněte a spusťte nářadí tak, aby byly horní a spodní nože umístěny střídavě.
► **Obr.34**
3. Vypněte nářadí a vyjměte z něj akumulátor.
4. Nastavte úhel pilníku na 45° a bruste pilníkem horní nůž ze 3 směrů.
► **Obr.35:** (1) Pilník (2) 45°

UPOZORNĚNÍ: Před broušením stříhacích nožů se ujistěte, že je nářadí vypnuté a akumulátor z něj vyjmutý.

5. Dejte nářadí do polohy hlavou dolů a za pomoci orovnávacího kamene odstraňte otřepky ze stříhacích nožů.
► **Obr.36:** 1. Orovnávací kámen
6. Nastavte úhel pilníku na 45° a bruste pilníkem spodní nůž ze 3 směrů.
7. Vratte nářadí do normální polohy a za pomoci orovnávacího kamene odstraňte otřepky ze stříhacích nožů.

ŘEŠENÍ POTÍŽÍ

Před žádostí o opravu proveďte nejprve prohlídku sami. Narazíte-li na problém, jenž v této příručce není vysvětlen, nepouštějte se do demontáže zařízení. Požádejte o pomoc některé z autorizovaných servisních středisek Makita, kde k opravám vždy používají náhradní díly Makita.

Problém	Pravděpodobná příčina (porucha)	Náprava
Motor nelze spustit.	-	Viz návod k obsluze motorové jednotky.
Motor se brzy zastaví.	-	Viz návod k obsluze motorové jednotky.
Nelze zvýšit otáčky motoru.	-	Viz návod k obsluze motorové jednotky.
Střihací nože se nepohybují: ⇒ zařízení ihned vypněte!	Mezi střihací nože jsou zachyceny cizí předměty.	Vypněte nářadí a vyjměte akumulátor, poté odstraňte cizí předměty pomocí nástrojů jako kleště atd.
	Systém pohonu nepracuje správně.	Předejte zařízení k opravě v místním autorizovaném servisním středisku.
Nenormální vibrace: ⇒ zařízení ihned vypněte!	Střihací nože jsou zlomené, ohnuté či opotřebené.	Vyměňte střihací nože.
	Systém pohonu nepracuje správně.	Předejte zařízení k opravě v místním autorizovaném servisním středisku.
Střihací nože a motor nelze vypnout: ⇒ Okamžitě vyjměte akumulátor!	Elektrická závada.	Vyjměte akumulátor a zařízení předejte k opravě v místním autorizovaném servisním středisku.

VOLITELNÉ PŘÍSLUŠENSTVÍ

⚠ UPOZORNĚNÍ: Se strojem Makita popsaným v tomto návodu doporučujeme používat následující příslušenství a nástavce. Při použití jiného příslušenství či nástavců může hrozit nebezpečí zranění osob. Příslušenství lze používat pouze pro stanovené účely.

Potřebujete-li bližší informace ohledně tohoto příslušenství, obraťte se na místní servisní středisko společnosti Makita.

- Sestava střihacích nožů
- Nádoba s mazivem
- Originální akumulátor a nabíječka Makita

POZNÁMKA: Některé položky seznamu mohou být k produktu přibaleny jako standardní příslušenství. Přibalené příslušenství se může v různých zemích lišit.

TEHNIČNI PODATKI

Model:	EN402MP
Dolžina rezila	500 mm
Celotna dolžina	1444 mm
Neto teža	2,4 kg

- Ker nenehno opravljamo raziskave in razvijamo svoje izdelke, se lahko tehnični podatki v tem dokumentu spremenijo brez obvestila.
- Tehnični podatki se lahko razlikujejo od države do države.

Odobrena pogonska enota

Uporaba tega priključka je odobrena le za naslednji pogonski enoti:

- Brezžična večfunkcijska pogonska glava DUX60
- Brezžična večfunkcijska pogonska glava DUX18
- Brezžična večfunkcijska pogonska glava UX01G

⚠ OPOZORILO: Priključka nikoli ne uporabljajte z neodobreno pogonsko enoto. Neodobrene kombinacije lahko povzročijo hude telesne poškodbe.

Simboli

Naslednji simboli se lahko uporabljajo v povezavi s strojem. Pred uporabo izdelka se obvezno seznanite z njihovim pomenom.



Preberite navodila za uporabo in jih upoštevajte.



NEVARNOST – z rokami ne segajte v območje rezila.



Pazite na električne vode. Obstaja nevarnost električnega šoka.



Uporabljajte zaščitno čelado ter zaščito za oči in sluh.



Uporabljajte zaščitne rokavice.



Uporabljajte trpežne škornje z nedrsečim podplatom.



Električno orodje upravljajte najmanj 15 m stran od oseb in živali v okolici.



Pazite, da v delovnem območju ni oseb in živali.



Zajamčena raven zvočne moči v skladu z direktivo EU o hrupu na prostem.



Raven zvočne moči v skladu z avstralskim predpisom o nadzoru hrupa NSW

Predvidena uporaba

Priključek je oblikovan izključno za rezanje žive meje ob uporabi odobrene pogonske enote. Priključka nikoli ne uporabljajte za druge namene. Ob nepravilni uporabi lahko pride do hudih telesnih poškodb.

Izjava o skladnosti ES

Samo za evropske države

Mi kot proizvajalec: **Makita Europe N.V.**, sedež podjetja: **Jan-Baptist Vinkstraat 2 3070 Kortenberg BELGIUM**. pooblaščamo **Hiroshi Tsujimura** za pripravo tehnične dokumentacije in z izključno odgovornostjo izjavljamo, da izdelki:

Z oznako: **Priključek škarij za živo mejo**. Oznaka tipa oz. tipov: **EN402MP**.

izpolnjujejo vse ustrezne določbe Direktive **2006/42/ES** in tudi vse ustrezne določbe naslednjih direktiv ES/EU: **2000/14/ES** in so izdelani v skladu z naslednjimi harmoniziranimi standardi: **EN62841-1:2015, EN 62841-4-2:2019, EN ISO 11806-1:2011**.

Kraj in datum izjave: **Kortenberg, Belgija. 20. 12. 2022**
Odgovorna oseba: **Hiroshi Tsujimura, Direktor – Makita Europe N.V.**

VARNOSTNA OPOZORILA

Varnostna opozorila za brezžične škarje za živo mejo na drogu

1. **Ne približujte delov telesa rezilu. Ne odstranjujte odrezanega materiala in ne držite materiala, ki ga boste rezali, kadar se rezila premikajo.** Ko izključite stikalo, se rezila še nekaj časa premikajo. Trenutek nepazljivosti pri delu s škarjami za živo mejo lahko privede do hudih telesnih poškodb.
2. **Škarje za živo mejo prenašajte z ročajem in ustavljenim rezilom, pri tem pa pazite, da ne pritisnete nobenega stikala za vklop/izklop.** S pravilnim prenašanjem škarij za živo mejo zmanjšate tveganje za nenameren zagon, ki lahko povzroči telesne poškodbe zaradi rezil.
3. **Kadar prenašate ali shranjujete škarje za živo mejo, vedno namestite pokrov rezila.** Ustrezno rokovanje s škarjami za živo mejo bo zmanjšalo tveganje za telesne poškodbe zaradi rezil.
4. **Pri odstranjevanju zagozdenega materiala ali servisiranju enote poskrbite za to, da so vsa stikala za vklop/izklop izključena in da je akumulatorska baterija odstranjena ali odklopljena.** Nepričakovan zagon škarij za živo mejo med odstranjevanjem zagozdenega materiala ali servisiranjem lahko povzroči hude telesne poškodbe.
5. **Škarje za živo mejo držite samo na izoliranih držalnih površinah, saj lahko rezilo prereže skrito električno napeljavo.** Ob stiku rezila z vodniki pod napetostjo lahko dobijo napetost vsi neizolirani kovinski deli škarij za živo mejo, zaradi česar lahko uporabnik utрпи električni udar.
6. **Ne približujte napajalnih kablov območju rezanja.** Napajalni kabli so lahko skriti v živi meji ali grmovju in jih lahko rezilo nenamerno prereže.
7. **Škarij za živo mejo ne uporabljajte ob slabem vremenu, še posebej, kadar bliska.** S tem zmanjšate tveganje, da v vas udari strela.
8. **Da zmanjšate tveganje za smrt zaradi električnega udara, škarij za živo mejo na drogu nikoli ne uporabljajte v bližini električnih vodov.** Stik z električnim vodom ali uporaba v njegovi bližini lahko povzroči hudo poškodbo ali električni udar s smrtnim izidom.
9. **Škarje za živo mejo na drogu vedno držite z obema rokama.** Škarje za živo mejo na drogu držite z obema rokama, da ne izgubite nadzora.
10. **Ko škarje za živo mejo na drogu uporabljate nad glavo, vedno nosite zaščito za glavo.** Padajoči ostanki lahko povzročijo hude telesne poškodbe.

Dodatna varnostna navodila

Priprava

1. **TE ŠKARJE ZA ŽIVO MEJO LAHKO POVZROČIJO RESNE POŠKODBE.** Pozorno preberite navodila za pravilno ravnanje z orodjem ter njegovo pripravo, vzdrževanje, zaganjanje in zaustavljanje. Seznanite se z vsemi funkcijami za upravljanje in pravilno uporabo orodja.
2. **Pred uporabo orodja preverite, da v živi meji in grmičevju ni tujkov, kot so žične ograje ali skrite žice.**
3. **Rezalnika za živo mejo ne smejo uporabljati otroci ali mlajši od 18 let.** Mladoletne osebe, starejše od 16 let, so lahko izvzete iz te omejitve, če se usposabljaajo pod nadzorom strokovnjaka.
4. **V nujnem primeru takoj izklopite orodje in odstranite akumulatorsko baterijo.**
5. **NEVARNOST - Ne približujte rok rezilu.** Stik z rezilom povzroči hude telesne poškodbe.
6. **Uporabnike, ki prvič uporabljajo orodje, naj izkušeni uporabnik pouči o uporabi orodja.**
7. **Pred uporabo se prepričajte, da v delovnem območju ni žičnih ograj, kamnov ali drugih trdih predmetov.** Ti lahko poškodujejo rezila.
8. **Z rezalnikom za živo mejo delajte samo, če ste v dobri fizični kondiciji.** Če ste utrujeni, bo vaša zbranost zmanjšana. Še posebej bodite pozorni ob koncu delovnega dne. Vsa dela opravljajte mirno in zbrano. Uporabnik je odgovoren za vse poškodbe, povzročene tretjim osebam.
9. **Pred začetkom dela se prepričajte, da je rezalnik v dobrem in varnem stanju za delo.** Zagotovite, da so ščitniki pravilno nameščeni. Rezalnika za živo mejo ni dovoljeno uporabljati, če ni v celoti sestavljen.
10. **Izogibajte se nevarnemu okolju.** Orodja ne uporabljajte na vlažnih ali mokrih mestih in ga ne izpostavljajte dežju. Voda, ki prodre v orodje, bo povečala nevarnost električnega udara.

Osebnna zaščitna oprema

1. **Delovne rokavice iz robustnega usnja so del osnovne opreme rezalnika za živo mejo in jih je pri delu treba vedno nositi.** Prav tako nosite močne čevlje z nedrsečim podplatom.
2. **Uporabljajte zaščito za sluh, kot so naušniki, da preprečite izgubo sluha.**
3. **Uporabljajte zaščitna očala, zaščitno čelado in zaščitne rokavice, da se zaščitite pred letječimi delci ali padajočimi predmeti.**
4. **Ob dotikanju rezil ali prilagajanju rezalnega kota uporabljajte zaščitne rokavice.** Rezila lahko hudo porežejo gole dlani.

Uporaba

1. **Orodje vedno držite in uporabljajte z obema rokama.** Če ga uporabljate samo z eno roko, lahko izgubite nadzor in povzročite hude telesne poškodbe.
2. **Med uporabo orodja vedno poskrbite za to, da ste v varnem položaju.** Previsoko seganje z orodjem, še posebej z lestve, je izjemno nevarno. Ne delajte tako, da stojite na majavih ali nestabilnih podlagah.

3. Med uporabo orodja ne nosite hkrati več varnostnih pasov in/ali naramnih pasov hkrati.
 4. Med uporabo naj bodo prisotne osebe ali živali vsaj 15 m oddaljeni od orodja. Če se kdo približa, takoj ustavite orodje.
 5. Če rezalno orodje zadane predmet ali se začne nenavadno oglašati ali vibrirati, ga takoj izklopite in odstranite akumulatorsko baterijo ter pustite, da se zaustavi. Nato izvedite naslednje ukrepe:
 - preverite, ali je prišlo do poškodb,
 - preverite in pritrдите vse razrahljane dele,
 - dajte poškodovane dele v popravilo ali jih zamenjajte z originalnimi nadomestnimi deli.
 6. Orodje uporabljajte samo za njegov predvideni namen. Orodja ne uporabljajte v druge namene.
 7. Izklopite orodje in odstranite akumulatorsko baterijo pred:
 - čiščenjem ali odstranjevanjem zagozdenih delov,
 - preverjanjem, vzdrževanjem ali servisiranjem orodja,
 - prilagajanjem delovnega položaja rezil,
 - tem, da pustite orodje brez nadzora.
 8. Preden zaženete orodje, poskrbite za to, da je pravilno postavljeno v predvidenem delovnem položaju.
 9. Če so rezila poškodovana ali prekomerno izrabljena, orodja ne uporabljajte.
 10. Vedno bodite pozorni na okolico in morebitne nevarnosti, ki se jih morda ne zavedate zaradi hrupa orodja.
 11. Pazite, da se med uporabo orodja nenamerno ne dotaknete kovinske ograje ali drugih trdih predmetov. Rezilo se bo zlomilo in lahko povzroči hude telesne poškodbe.
 12. Preprečite nenamerni zagon. Orodja ne prenašajte, če je vstavljena akumulatorska baterija in imate prst na stikalu. Pri vstavljanju akumulatorske baterije poskrbite za to, da je stikalo izključeno.
 13. Kadar dvigujete ali držite orodje, ne prijemajte izpostavljenih rezil ali rezalnih robov.
 14. Ne uporabljajte čezmerne sile. Tako bo delo bolj opravljeno in manjše bo tveganje za poškodbe na ravni delovanja, za katero je orodje zasnovano.
 15. Orodja ne uporabljajte v dežju ali v zelo vlažnih pogojih. Električni motor ni vodotesen.
 16. Med uporabo trdno držite orodje.
 17. Ne uporabljajte orodja brez obremenitve po nepotrebnem.
 18. Preden pregledate rezila, odpravite napake ali odstranite tujke, ki so se ujeli v rezila, vedno izklopite orodje in odstranite akumulatorsko baterijo.
 19. Rezil nikoli ne usmerite proti sebi ali drugim osebam.
 20. Če se med delovanjem rezila nehajo premikati, ker so se med njih zataknili tujki, izklopite orodje, odstranite akumulatorsko baterijo in nato odstranite tujke z orodjem, kot so kleščice. Odstranjevanje tujkov z rokami lahko povzroči poškodbe, saj se zaradi odstranjevanja tujkov lahko premaknejo rezila.
 21. Pri nameščanju ali odstranjevanju pokrova rezila pazite, da si ne poškodujete rok.
- Električna zaščita in zaščita akumulatorja**
1. Izogibajte se nevarnemu okolju. Orodja ne uporabljajte na vlažnih ali mokrih mestih in ne izpostavljajte ga dežju. Voda, ki prodre v orodje, bo povečala nevarnost električnega udara.
 2. Akumulatorja/-ev ni dovoljeno metati v ogenj. Celica lahko eksplodira. Preverite lokalne predpise glede morebitnih posebnih navodil za odstranjevanje.
 3. Ne odpirajte ali spreminjajte akumulatorja/-ev. Sproščeni elektrolit je koroziven in lahko povzroči poškodbe oči ali kože. Pri zaužitju je lahko strupen.
 4. Akumulatorja ne polnite v dežju ali na mokrih mestih.
 5. Akumulatorja ne polnite na prostem.
 6. Ne dotikajte se polnilnika, vtiča polnilnika in priključkov polnilnika z mokrimi rokami.
- Vzdrževanje in shranjevanje**
1. Ko orodje zaustavite za servisiranje, pregled ali shranjevanje, ga izklopite in odstranite akumulatorsko baterijo ter se prepričajte, da so se vsi premikajoči se deli zaustavili. Pred pregledovanjem, prilagajanjem itd. pustite orodje, da se ohladi.
 2. Pred shranjevanjem vedno počakajte, da se orodje ohladi.
 3. Kadar orodja ne uporabljate, namestite pokrov rezila na orodje in ga shranite v notranjem, suhem prostoru na visokem mestu ali v zaklenjenem vsebniku zunaj dosega otrok.
 4. Orodje vedno vzdržujte. Za najboljše delovanje in zmanjšanje tveganja za poškodbe naj bodo robovi rezila nabrušeni in čisti. Sledite navodilom za mazanje in zamenjavo dodatkov. Ročaji morajo biti suhi, čisti ter brez olja in masti.
 5. Preverite poškodovane dele. Pred nadaljnjo uporabo orodja je treba vsak poškodovan del skrbno pregledati, da ugotovite, ali bo pravilno deloval in služil svojemu namenu. Preglejte poravnavo gibljivih delov, povezave gibljivih delov, zlome delov, montažo in druga stanja, ki lahko vplivajo na delovanje. Ščitnik ali drug poškodovani del mora ustrezno popraviti ali zamenjati pooblaščen servisni center.
 6. Uporabljajte samo originalne rezervne dele.
 7. Kadar prenašate orodje na drugo lokacijo, tudi med delom, vedno odstranite akumulatorsko baterijo in namestite pokrov rezil. Nikoli ne prenašajte ali prevažajte orodja, če se rezila premikajo. Rezil nikoli ne prijemajte z rokami.
 8. Po uporabi in pred shranjevanjem orodja za dlje časa očistite orodje, še posebej rezila. Rahlo naoljite rezila in namestite pokrov rezila.
 9. Akumulatorja/-ev ni dovoljeno metati v ogenj. Celica lahko eksplodira. Preverite lokalne predpise glede morebitnih posebnih navodil za odstranjevanje.
 10. Ne odpirajte ali spreminjajte akumulatorja/-ev. Sproščeni elektrolit je koroziven in lahko povzroči poškodbe oči ali kože. Pri zaužitju je lahko strupen.

11. Akumulatorja ne polnite v dežju ali na mokrih mestih.

SHRANITE TA NAVODILA.

⚠ OPOZORILO: NE dovolite, da bi zaradi udobnejšega dela ali znanja o uporabi izdelka (pridobljenega z večkratno uporabo) opustili strogo upoštevanje varnostnih zahtev v okviru pravilne uporabe orodja. ZLORABA ali neupoštevanje varnostnih zahtev v teh navodilih za uporabo lahko povzroči resne telesne poškodbe.

OPIS DELOV

- **SI.1:** 1. Pokrov rezil 2. Ročaj za prilagajanje kota 3. Kapica 4. Rezila 5. Drсна ročica 6. Sprednji ročaj

MONTAŽA

⚠ OPOZORILO: Preden sestavite ali nastavljate opremo, motor izklopite in odstranite akumulatorsko baterijo. V nasprotnem primeru se lahko stroj nepričakovano zažene in povzroči telesno poškodbo.

⚠ OPOZORILO: Med sestavljanjem ali prilagajanjem opremo vedno položite na tla. Sestavljanje ali prilagajanje opreme v pokončnem položaju lahko povzroči hude telesne poškodbe.

⚠ OPOZORILO: Upošteвайте opozorila in previdnostne ukrepe v poglavju „VARNOSTNA OPOZORILO“ in navodila za uporabo pogonske enote.

Sestavljanje priključka

1. Odstranite pokrovček s priključka.
► **SI.2:** 1. Pokrovček
2. Cev vstavite v priključek tako, da je odprtina na cevi poravnana z odprtino na priključku. Cev pritrdite tako, da najprej trdno pritegnete kratki vijak, nato pa še dolgega.
► **SI.3:** 1. Odprtina 2. Cev 3. Vijak (kratki) 4. Vijak (dolgi)

OPOMBA: Pri privijanju vijakov uporabite 4,0 – 6,0 N•m zateznega navora.

Montaža priključne cevi

⚠ POZOR: Po namestitvi priključne cevi vedno preverite, ali je cev čvrsto pritrjena. Nepravilna namestitvev lahko povzroči, da cev pade iz pogonske enote in poškoduje ljudi.

Namestite priključno cev na pogonsko enoto.

1. Odstranite pokrovček s konca cevi.
► **SI.4:** 1. Cev 2. Pokrovček

OBVESTILO: Pokrovčka ne zavržite, ker ga potrebujete za shranjevanje priključka.

2. Ročico obrnite proti priključku.
► **SI.5:** 1. Ročica
3. Zatič poravnajte s puščično oznako na pogonski enoti. Cev potiskajte naprej, dokler sprostilni gumb ne izskoči.
- Prepričajte se, da je položajna črta poravnana s konico puščične oznake na pogonski enoti in da sta puščični oznaki na pogonski enoti in cevi obrnjeni ena proti drugi.
► **SI.6:** 1. Sprostilni gumb 2. Puščična oznaka na pogonski enoti 3. Zatič 4. Črta položaja 5. Puščična oznaka na cevi
4. Ročico obrnite proti pogonski enoti.
► **SI.7:** 1. Ročica

Zagotovite, da bo površina ročice poravnana vzporedno s cevjo.

OBVESTILO: Ne privijajte ročice, če priključna cev ni vstavljena. To lahko stisne vhodno odprtino pogonske gredi in jo poškoduje.

Če želite odstraniti cev, obrnite ročico proti priključku ter pridržite sprostilni gumb in izvlecite cev.

- **SI.8:** 1. Sprostilni gumb 2. Ročica 3. Cev

Nameščanje ali odstranjevanje rezil

⚠ POZOR: Pri menjavi rezil vedno nosite rokavice, tako da se dlani neposredno ne dotikajo rezil.

⚠ POZOR: Preden odstranite ali namestite rezila, namestite pokrov rezila.

OBVESTILO: Ko menjate rezila, z ročice ne brišite masti.

OPOMBA: Pred nameščanjem ali odstranjevanjem rezil razprite priključek tako, da je poravnana s cevjo.

1. Pritrdite pokrov na rezila.
► **SI.9:** 1. Pokrov rezil
2. Obrnite priključek na glavo.
3. Z imbusnim ključem odvijte 4 vijake ter odstranite pokrov in ploščo (veliko).
► **SI.10:** 1. Vijak 2. Pokrov 3. Plošča (velika)
4. S ploščatim izvijačem obrnite ročico tako, da je obrnjena v smeri, prikazani na sliki.
► **SI.11:** 1. Ročica
5. Odstranite 2 vijaka.
► **SI.12:** 1. Vijak
6. Odstranite polsteno blazinico (kratko), polsteno blazinico (dolgo), ploščo (malo) in stročnice.
► **SI.13:** 1. Polstena blazinica (kratka) 2. Polstena blazinica (dolga) 3. Plošča (mala) 4. Stročnica
7. S priključka odstranite rezila.
► **SI.14**

8. Odstranite pokrov rezila in ga nato pritrdite na nova rezila.

9. Z rezil odstranite protiprašni ščitnik in ga nato pritrdite na nova rezila, v položaj, prikazan na sliki.

► **SI.15:** 1. Protiprašni ščitnik

10. Vstavite vijak, ki ste ga odvili v 5. koraku, v odprtino na rezilih, in sicer skozi odprtino na pokrovu rezila.

► **SI.16:** 1. Odprtina 2. Vijak

11. Nanesite majhno količino masti na zunanji del ročice. Pritrdite rezila na priključek.

► **SI.17**

12. Pritrdite stročnice in ploščo (malo) na rezila ter nato pritegnite vijak.

► **SI.18:** 1. Vijak 2. Plošča (mala) 3. Stročnica

13. Odstranite vijak, ki ste ga v 10. koraku vstavili v odprtino na rezilih, in ga nato privijte, da pritrdite rezila.

14. Pritrdite polsteno blazinico (kratko) in polsteno blazinico (dolgo).

► **SI.19:** 1. Polstena blazinica (kratka) 2. Polstena blazinica (dolga)

15. Namestite ploščo (veliko) in pokrov ter pritegnite 4 vijake.

► **SI.20:** 1. Vijak 2. Pokrov 3. Plošča (velika)

OBVESTILO: Če rezila ne delujejo pravilno, niso pravilno vstavljena v ročico. Odstranite rezila in jih ponovno namestite.

OBVESTILO: Če niso izrabljena rezila, ampak drugi deli, na primer ročica, se za zamenjavo ali popravilo obrnite na pooblaščen servisni center Makita.

OPIS DELOVANJA

⚠ POZOR: Pred nastavljanjem ali preizkusom delovanja orodja se prepričajte, ali je orodje izključeno in ali je akumulatorska baterija odstranjena.

Prilagoditev rezalnega kota

⚠ POZOR: Pred prilagajanjem rezalnega kota se vedno prepričajte, da je orodje izklopljeno.

Kot glave lahko prilagodite v 13 korakih. Če želite spremeniti kot glave, sledite spodnjim korakom.

1. Držite ročaj za prilagajanje kota in nato prilagodite kot glave, medtem ko vlečete drsno ročico, nato pa drsno ročico spustite.

► **SI.21:** 1. Drsna ročica 2. Ročaj za prilagajanje kota

2. Glavo malce premaknite, dokler se s klikom ne zaskoči.

OPOMBA: Pred uporabo orodja se prepričajte, da je glava varno zaskočena.

UPRAVLJANJE

⚠ OPOZORILO: Upoštevajte opozorila in previdnostne ukrepe v poglavju „VARNOSTNA OPOZORILA“ in navodila za uporabo pogonske enote.

Uporaba orodja

⚠ OPOZORILO: Orodja ne uporabljajte v bližini električnih vodov. Stik z električnim vodom ali uporaba v njegovi bližini lahko povzroči resno poškodbo ali električni udar s smrtnim izidom.

⚠ OPOZORILO: Rok ne približujte rezilom.

⚠ OPOZORILO: Skrbno pazite, da ohranjate nadzor nad orodjem ves čas uporabe. Ne pustite, da bi orodje odbilo proti vam ali drugi osebi v bližini. Če ne ohranite nadzora, lahko pride do hudih telesnih poškodb upravljavca ali drugih oseb.

⚠ POZOR: Izogibajte se uporabi orodja pri visokih temperaturah, kolikor je to mogoče. Med uporabo orodja upoštevajte svoje fizično stanje.

⚠ POZOR: Pazite, da se med rezanjem nenamerno ne dotaknete kovinske ograje ali drugih trdih predmetov. Rezila se lahko zlomijo in povzročijo telesne poškodbe.

⚠ POZOR: Pazite, da se rezila ne dotikajo tal. Orodje lahko udari nazaj in povzroči telesne poškodbe.

⚠ POZOR: Previsoko seganje z rezalnikom za živo mejo, še posebej z lestve, je izjemno nevarno. Ne delajte, medtem ko stojite na majavi ali nestabilni podlagi.

OBVESTILO: S tem orodjem ne poskušajte rezati vej, debelejših od 10 mm. Pred uporabo orodja s škarjami za veje odrežite veje do višine 10 cm nižje od višine za rezanje.

► **SI.22:** (1) Višina za rezanje (2) 10 cm

OBVESTILO: Ne režite podrtih dreves ali podobnih trdih predmetov. Pri tem lahko poškodujete orodje.

OBVESTILO: Z rezili ne režite trave ali plevela. Rezila se lahko zapletejo v travo ali plevel.

Orodje držite z obema rokama tako, da držite sprednji ročaj pogonske enote ali sprednji ročaj priključka in zadnji ročaj pogonske enote.

► **SI.23:** 1. Sprednji ročaj 2. Zadnji ročaj

Povlecite sprožilec in ob tem pritisčajte ročico za zaklep, nato orodje premikajte naprej.

► **SI.24**

Pri osnovni uporabi nagnite rezila v smeri rezanja in jih mirno in počasi premikajte pri hitrosti 3 do 4 sekunde na meter.

► **SI.25**

Za enakomerno rezanje žive meje ob straneh režite od spodaj navzgor.

► **SI.26**

Ko želite pri rezanju ustvariti okroglo obliko (ko režete zeleniko, rododendron itd.), režite od korenine navzgor, da ustvarite lep končni izdelek.

► **SI.27**

VZDRŽEVANJE

⚠ OPOZORILO: Pred pregledovanjem ali vzdrževanjem opreme, izklopite motor in odstranite akumulatorsko baterijo. V nasprotnem primeru se lahko stroj nepričakovano zažene in povzroči hude poškodbe.

⚠ OPOZORILO: Opremo pri preverjanju ali vzdrževanju vedno postavite na tla. Sestavljanje ali prilagajanje opreme v pokončnem položaju lahko povzroči hude telesne poškodbe.

⚠ OPOZORILO: Upoštevajte opozorila in previdnostne ukrepe v poglavju „VARNOSTNA OPOZORIILA“ in navodila za uporabo pogonske enote.

⚠ POZOR: Med pregledovanjem ali vzdrževanjem uporabljajte rokavice.

OBVESTILO: Nikoli ne uporabljajte bencina, razredčila, alkohola ali podobnega sredstva. V tem primeru se lahko orodje razbarva ali deformira oziroma lahko nastanejo razpoke.

VARNO in ZANESLJIVO delovanje tega izdelka bo zagotovljeno le, če boste popravila, vzdrževanje in nastavitve prepustili pooblaščenemu servisu za orodja Makita ali tovarniškemu osebju, ki vgrajuje izključno originalne nadomestne dele.

Čiščenje orodja

Orodje očistite tako, da obrišete prah s suho krpo ali krpo, ki ste jo namočili v milnico in jo nato dobro oželi.

OBVESTILO: Nikoli ne uporabljajte bencina, razredčila, alkohola ali podobnega sredstva. V tem primeru se lahko orodje razbarva ali deformira oziroma lahko nastanejo razpoke.

Vzdrževanje rezila škarij

Pred uporabo orodja ali enkrat na uro med uporabo premažite rezila z oljem z nizko viskoznostjo (strojno olje ali mazalno olje v razpršilu).

► SI.28

Po uporabi odstranite prah z obeh strani rezil z žičnato krtačo, rezila obrišite s krpo in nato nanje nanesite olje z nizko viskoznostjo (strojno olje ali mazalno olje v razpršilu).

► SI.29

OBVESTILO: Rezil ne čistite z vodo. V nasprotnem primeru lahko pride do rje ali poškodb orodja.

OBVESTILO: Umazanija in korozija povzročata čezmerno trenje rezil in skrajšata čas delovanja na eno polnjenje akumulatorja.

Shranjevanje

Namestite pokrov rezil na rezila, tako da rezila niso izpostavljena. Orodje hranite izven dosega otrok. Orodje hranite na mestu, ki ni izpostavljeno vlagi ali dežju.

Če priključek in pogonsko enoto shranjujete ločeno, namestite pokrovček na konec cevi.

► SI.30

Mazanje premičnih delov

OBVESTILO: Upoštevajte navodila glede pogostosti mazanja in količine priložene masti. Nezadostno mazanje lahko poškoduje gibljive dele.

Pogonska os:

Mast nanesite (mast Makita N No.2 ali enakovredno) vsakih 30 ur delovanja.

► SI.31

OPOMBA: Originalno mast Makita lahko kupite pri lokalnem prodajalcu izdelkov Makita.

Mazanje z mastjo

Interval mazanja: Vsakih 25 ur delovanja

1. Odstranite vijak iz odprtine za nanos masti.

► SI.32: 1. Vijak

2. Odstranite kapico z vsebnika za mast. Poravnajte odprtino vsebnika za mast z odprtino na pokrovu, nato pa vsebnik za mast obrnite, da odprtino vsebnika za mast pritrдите v odprtino.

► SI.33: 1. Vsebnik za mast 2. Odprtina

3. Mast stisnite v orodje (približno 3 g).

4. Odstranite vsebnik z mastjo.

5. Privijte vijak.

Brušenje rezil

OBVESTILO: Če rezila močno spremenijo obliko zaradi brušenja, jih zamenjajte z novimi.

1. Akumulatorsko baterijo namestite v orodje.

2. Vključite in zaženite orodje, da zgornje in spodnje rezilo nista poravnana.

► SI.34

3. Izklopite orodje in odstranite akumulatorsko baterijo.

4. Kot pile nastavite na 45° in zgornje rezilo brusite iz 3 smeri.

► SI.35: (1) Pila (2) 45°

⚠ POZOR: Pred brušenjem rezil se prepričajte, da je orodje izklopljeno in akumulatorska baterija odstranjena.

5. Orodje obrnite na glavo in z brusnim kamnom odstranite zarobke z rezil.

► SI.36: 1. Brusni kamen

6. Kot pile nastavite na 45° in spodnje rezilo brusite iz 3 smeri.

7. Orodje obrnite v običajen položaj in z brusnim kamnom odstranite zarobke z rezil.

ODPRAVLJANJE TEŽAV

Preden zahtevate popravilo, izvedite lasten pregled. Če naletite na težavo, ki ni pojasnjena v navodilih, ne poskušajte razstavljati orodja. Namesto tega se obrnite na pooblaščen servis Makita. Pri popravilih vedno uporabljajte nadomestne dele Makita.

Neobičajno stanje	Možni vzroki (okvare)	Ukrep
Motorja ni mogoče zagnati.	-	Preberite navodila za uporabo pogonske enote.
Motor se kmalu ustavi.	-	Preberite navodila za uporabo pogonske enote.
Hitrost motorja se ne poveča.	-	Preberite navodila za uporabo pogonske enote.
Rezila se ne premikajo: ⇒ takoj zaustavite kosilnico!	Tujki so se ujeli med rezila.	Izklopite orodje in odstranite akumulatorsko baterijo, nato pa odstranite tujke z orodjem, kot so klešče.
	Pogonski sistem ne deluje pravilno.	Za popravilo se obrnite na lokalni pooblaščen servisni center.
Neobičajno vibriranje: ⇒ takoj zaustavite kosilnico!	Rezila so poškodovana, ukrivljena ali izrabljena.	Zamenjajte rezila.
	Pogonski sistem ne deluje pravilno.	Za popravilo se obrnite na lokalni pooblaščen servisni center.
Rezila in motor se ne morejo ustaviti: ⇒ takoj odstranite akumulatorsko baterijo!	Električna okvara.	Odstranite akumulatorsko baterijo in se za popravilo obrnite na lokalni pooblaščen servisni center.

DODATNA OPREMA

⚠ POZOR: Ta dodatna oprema ali priključki so predvideni za uporabo s strojem Makita, opisanim v teh navodilih za uporabo. Pri uporabi druge dodatne opreme ali nastavkov lahko pride do telesnih poškodb. Dodatno opremo ali nastavke uporabljajte le v skladu z njihovim namenom.

Za več informacij o dodatni opremi se obrnite na najbližji pooblaščen servis za orodja Makita.

- Sklop rezila škarij
- Vsebnik za mast
- Originalna akumulator in polnilnik Makita

OPOMBA: Nekateri predmeti na seznamu so lahko izdelku priloženi kot standardna dodatna oprema. Lahko se razlikujejo od države do države.

SPECIFIKIMET

Modeli:	EN402MP
Gjatësia e fletës	500 mm
Gjatësia totale	1444 mm
Pesha neto	2,4 kg

- Për shkak të programit tonë të vazhdueshëm të kërkim-zhvillimit, specifikimet që jepen këtu mund të ndryshojnë pa dhënë njoftim.
- Specifikimet mund të ndryshojnë nga njëri shtet në tjetrin.

Njësia e miratuar elektrike

Ky aksesor është miratuar për t'u përdorur vetëm me njësinë(të) e mëposhtme elektrike:

- DUX60 Kokë elektrike me shumë funksione pa kordon
- DUX18 Kokë elektrike me shumë funksione pa kordon
- UX01G Kokë elektrike me shumë funksione pa kordon

⚠ PARALAJMËRIM: Asnjëherë mos e përdorni aksesorin me njësi elektrike të pamiratuara. Kombinimi i pamiratuar mund të shkaktojë lëndim të rëndë.

Simbolet

Pjesët në vazhdim tregojnë simbolet që mund të përdoren për pajisjen. Sigurohuni që merrni vesh kuptimin e tyre përpara përdorimit.



Lexoni dhe zbatoni manualin e përdorimit.



RREZIK - Mbajni duart larg fletës.



Kujdes nga telat elektrikë. Rrezik goditjeje elektrike.



Mbani helmët mbrojtëse, mbrojtëse për sytë dhe për veshët.



Mbani doreza mbrojtëse.



Mbani këpucë të forta me suall që nuk rrëshqet.



Mbajni personat dhe kafshët të paktën 15 m larg nga vegla elektrike.



Mbajeni zonën e punës të lirë nga të gjithë njerëzit dhe kafshët shtëpiake.



Niveli i garantuar i fuqisë së zhurmës sipas Direktivës së BE-së për Nivelin e Zhurmës Jashtë.



Niveli i fuqisë së zhurmës sipas Rregullores së Australisë NSW për Kontrollin e Zhurmës

Përdorimi i synuar

Ky aksesor është projektuar vetëm për qëllimin e prerjes së shkurreve, së bashku me një njësi të miratuar elektrike. Asnjëherë mos e përdorni aksesorin për qëllime të tjera. Keqpërdorimi i aksesorit mund të shkaktojë lëndime të rënda.

Deklarata e konformitetit me KE-në

Vetëm për shtetet evropiane

Ne si prodhuesit: **Makita Europe N.V.**, Selia e biznesit: **Jan-Baptist Vinkstraat 2 3070 Kortenberg BELGIUM**. Autorizojmë **Hiroshi Tsujimura** për hartimin e skedarit teknik dhe deklarimë nën përgjegjësinë tonë të vetme se produkti(et);

Përcaktimi: **Aksesor i prerës të shkurreve.**

Përcaktimi i llojeve: **EN402MP.**

Plotëson të gjitha dispozitat përkatëse të ligjit **2006/42/EC** dhe gjithashtu plotëson të gjitha dispozitat përkatëse të Direktivave të KE-së/BE-së të mëposhtme: **2000/14/EC** dhe janë prodhuar në përputhje me standardet e mëposhtme të harmonizuara: **EN62841-1:2015, EN 62841-4-2:2019, EN ISO 11806-1:2011.** Vendi dhe data e deklarimit: **Kortenberg, Belgjikë. 20. 12. 2022**

Personi përgjegjës: **Hiroshi Tsujimura, Drejtor - Makita Europe N.V.**

PARALAJMËRIME SIGURIE

Paralajmërime sigurie për prerësin e shkurreve me bosht me bateri

- Mbajini të gjitha pjesët e trupit larg fletës. Mos e largoni materialin e prerë dhe mos e mbani materialin që do të prisni kur fletët janë në lëvizje.** Fletët vazhdojnë të rrotullohen pasi çelësi të jetë fikur. Një moment pakujdesie gjatë përdorimit të prerësit të shkurreve mund të shkaktojë lëndim të rëndë personal.
- Transportojeni prerësin e shkurreve nga doreza me fletën të ndaluar dhe kujdesuni që të mos e vini në punë çelësin e energjisë.** Transportimi i duhur i prerësit të shkurreve do të ulë rrezikun e nisjes aksidentale dhe lëndimeve personale rezultuese nga fletët.
- Vendosni gjithmonë kapakun e fletës gjatë transportimit ose ruajtjes së prerësit të shkurreve.** Përdorimi i duhur i prerësit të shkurreve do të reduktojë rrezikun e lëndimit personal nga fletët.
- Gjatë pastrimit të materialit të ngecur ose shërbimit të njësisë, sigurohuni që të gjithë çelësat të jenë të fikur dhe paketa e baterisë të jetë e hequr ose e shkëputur.** Aktivizimi i papritur i prerësit të shkurreve gjatë pastrimit të materialit të ngecur ose shërbimit mund të rezultojë në lëndime të rënda personale.
- Mbajeni prerësin e shkurreve vetëm te sipërfaqet e izoluar të kapjes sepse fleta mund të prekë tela të fshehur.** Nëse fletët prekin një tel me rrymë atëherë pjesët metalike të prerësit të shkurreve elektrizohen dhe mund t'i japin përdoruesit goditje elektrike.
- Mbajini të gjithë kordonët e energjisë dhe kabllo të larg nga zona e prerjes.** Kordonët e energjisë ose kabllo mund të fshihen në gëmusha ose shkurre dhe mund të pritët aksidentalisht nga fleta.
- Mos e përdorni prerësin e shkurreve në kushte të këqija atmosferike, veçanërisht kur ka rrezik për vetëtimin.** Kjo redukton rrezikun e goditjes nga vetëtimin.
- Për të reduktuar rrezikun e goditjes elektrike, asnjëherë mos e përdorni prerësin e shkurreve pranë linjave elektrike.** Kontakti ose përdorimi pranë linjave elektrike mund të shkaktojë lëndime serioze ose goditje elektrike që rezultojnë në vdekje.
- Gjithmonë përdorni dy duar kur përdorni prerësin e shkurreve me bosht.** Mbajeni prerësin e shkurreve me bosht me të dyja duart për të shmangur humbjen e kontrollit.
- Gjithmonë përdorni mbrojtje për kokë kur e përdorni prerësin e shkurreve me bosht mbi kokë.** Copëzat që bien mund të rezultojnë në lëndime të rënda personale.

Udhëzime shtesë mbi sigurinë

Përgatitja

- KY PRERËS SHKURRËSH MUND TË SHKAKTOJË LËNDIME TË RËNDA.** Lexojini udhëzimet me kujdes për përdorimin, përgatitjen, mirëmbajtjen dhe ndalimin e duhur të veglës. Njihuni me të gjitha komandat dhe përdorimin e duhur të veglës.
- Kontrolloni kaçubat dhe shkurret për objekte të huaja, si p.sh. gardhe me tela ose instalime elektrike të fshehura përpara se të përdorni veglën.**
- Prerësi i shkurreve nuk duhet të përdoret nga fëmijët ose nga personat nën 18 vjeç.** Të rinjtë mbi 16 vjeç mund të përjashtohen nga ky kufizim nëse trajnohen nën mbikëqyrjen e një eksperti.
- Në rast emergjence, fikni veglën dhe hiqni kutinë e baterisë menjëherë.**
- RREZIK - Mbajini duart larg fletës.** Kontakti me fletën do të rezultojë në lëndim të rëndë personal.
- Përdoruesit fillestarë duhet të kenë pranë një përdorues me përvojë që t'u tregojë si përdoret vegla.**
- Përpara përdorimit, kontrolloni zonën e punës për gardhe me tela, gurë ose objekte të tjera të forta.** Ato mund të dëmtojnë fletët.
- Përdorimi prerësin e shkurreve vetëm nëse jeni në gjendje të mirë fizike.** Vëmendja reduktohet nëse jeni të lodhur. Tregohuni veçanërisht të kujdesshëm në fund të ditës së punës. Kryejini të gjitha punët me qetësi dhe kujdes. Përdoruesi është përgjegjës për të gjitha dëmtimet ndaj palëve të treta.
- Përpara se të filloni punën, kontrolloni për t'u siguruar që prerësi është në gjendje pune të mirë dhe të sigurt.** Sigurohuni që mbrojtëset janë vendosur siç duhet. Prerësi i shkurreve nuk duhet të përdoret nëse nuk është montuar plotësisht.
- Shmangni mjediset e rrezikshme. Mos e përdorni veglën në vende të lagështa ose të lagura dhe mos e ekspozoni ndaj shiut.** Uji që hyn në vegël mund të rrisë rrezikun e goditjeve elektrike.

Pajisjet për mbrojtjen personale

- Dorezat e punës prej lëkure të fortë janë pjesë e pajisjeve bazë të prerësit të shkurreve dhe duhet të vishen gjithmonë gjatë përdorimit të tij.** Mbani gjithashtu këpucë të forta me shuall kundër rrëshqitjes.
- Mbani mbrojtëse për veshët si p.sh. kufje mbrojtëse për të parandaluar humbjen e dëgjimit.**
- Mbani syze mbrojtëse, helmë të sigurie dhe doreza mbrojtëse që të mbrohni nga papastërtitë fluturuese ose nga objektet që bien.**
- Kur prekni fletët apo rregulloni këndin e fletëve, mbani veshur doreza mbrojtëse.** Fletët mund të shkaktojnë prerje të thella në duar.

Përdorimi

- Përdorini gjithmonë të dyja duart kur përdorni veglën.** Përdorimi i një dore mund të shkaktojë humbje të kontrollit dhe mund të rezultojë në lëndime të rënda personale.

2. Gjatë përdorimit të veglës, gjithmonë sigurohuni që pozicioni i punës të jetë i sigurt dhe i mbrojtur. Është shumë e rrezikshme të zgjateni me veglën, veçanërisht nga një shkallë. Mos punoni nga ndonjë vend i lëvizshëm ose të paqëndrueshëm.
3. Mos mbani njëkohësisht disa rripa brezi dhe/ose rripa krahu kur përdorni veglën.
4. Gjatë përdorimit, mbajini personat e pranishëm ose kafshët të paktën 15 m larg nga vegla. Fikeni veglën sapo të afrohet dikush.
5. Nëse vegla prerëse godet ndonjë objekt ose vegla fillon të bëjë zhurma ose dridhje të pazakonshme, fikeni veglën dhe hiqni kutinë e baterisë menjëherë dhe lëreni veglën të ndalojë. Më pas ndërmerri hapat e mëposhtëm:
 - inspektoni për dëmtim
 - kontrolloni dhe shtrëngoni pjesët e liruar
 - kërkoni që pjesët e dëmtuara të zëvendësohen ose të riparohen me pjesë origjinale këmbimi.
6. Përdorni veglën vetëm për qëllimin për të cilin është destinuar. Mos e përdorni veglën për qëllime të tjera.
7. Fikeni veglën dhe hiqni kutinë e baterisë përpara se:
 - ta pastroni ose kur pastroni një bllokimin,
 - ta kontrolloni, të kryeni mirëmbajtje apo të punoni me veglën,
 - të rregulloni pozicionin e punës së fletëve të gërshërëve,
 - ta lini veglën të pamonitoruar.
8. Sigurohuni që vegla të ndodhet saktësisht në pozicionin e përcaktuar të punës përpara se të nisni veglën.
9. Mos e përdorni veglën me fletë gërshere të dëmtuara ose të konsumuara shumë.
10. Gjithmonë tregohuni vigjilent për ambientin rotull dhe për rreziqet e mundshme për të cilat mund të mos jeni në dijeni për shkak të zhurmës së veglës.
11. Bëni kujdes të mos prekni aksidentalisht ndonjë gardh metalik ose objekte të tjera të forta gjatë përdorimit. Disku do të thyhet dhe mund të shkaktojë lëndim të rëndë.
12. Shmangni ndezjen e paqëllimshme. Mos e transportoni veglën kur kutia e baterisë është e instaluar dhe me gishtin në çelës. Sigurohuni që çelësi të jetë fikur gjatë instalimit të kutisë së baterisë.
13. Mos kapni me dorë disqet prerëse ose tehet prerëse të ekspozuara kur e ngrini ose mbani veglën.
14. Mos ushtroni forcë mbi veglën. Ajo e kryen punën më mirë dhe me më pak gjasa rreziku lëndimi në shpejtësinë për të cilën është projektuar.
15. Mos e përdorni veglën në shi ose në kushte shumë të lagështa. Motori elektrik nuk është rezistues ndaj ujit.
16. Mbajeni veglën fort gjatë përdorimit.
17. Mos e përdorni veglën pa ngarkesë nëse nuk është e nevojshme.
18. Fikeni gjithmonë veglën dhe hiqni kutinë e baterisë përpara se të kontrolloni fletët e gërshërëve, të ndreqni defektet ose të hiqni materialet e huaja të ngecura te vegla.
19. Asnjëherë mos i drejtoni fletët e gërshërëve ndaj vetes ose të tjerëve.
20. Nëse fletët ndalojnë lëvizjen për shkak të ngecjes së objekteve të huaja mes fletëve gjatë përdorimit, fikni veglën dhe hiqni kutinë e baterisë, më pas hiqni objektet e huaja duke përdorur vegla të tilla si pincat. Heqja e objekteve të huaja me dorë mund të shkaktojë plagosje për arsye se fletët mund të lëvizin si reagim ndaj heqjes së objekteve të huaja.
21. Kur montoni ose hiqni kapakun e fletës, kini kujdes të mos lëndoni duart.

Siguria elektrike dhe e baterisë

1. Shmangni mjediset e rrezikshme. Mos e përdorni veglën në vende të lagështa ose të lagura dhe mos e ekspozoni ndaj shiut. Uji që hyn në vegël mund të rrisë rrezikun e goditjeve elektrike.
2. Mos e hidhni baterinë(të) në zjarr. Ajo mund të shpërthejë. Kontrolloni kodet vendore për udhëzime të mundshme të veçanta të hedhjes.
3. Mos e hapni dhe mos e shformoni baterinë(të). Elektroliti i çliuar është gërryes dhe mund të dëmtojë sytë ose lëkurën. Ai mund të jetë toksik nëse gëlltitet.
4. Mos e karikoni baterinë në shi ose në vende të lagura.
5. Mos e karikoni baterinë në ambiente të jashtme.
6. Mos e manovroni me duar të lagura karikuesin, as spinën dhe kontaktet e tij.

Mirëmbajtja dhe ruajtja

1. Kur vegla ndalon për shërbim, inspektim ose magazinim, fikeni veglën dhe hiqni kutinë e baterisë, dhe sigurohuni që të gjitha pjesët lëvizëse të kenë ndaluar plotësisht. Lëreni veglën të ftohet përpara se të bëni inspektime, rregullime etj.
2. Lëreni gjithmonë veglën të ftohet përpara se ta magazinoni.
3. Kur nuk e përdorni veglën, vendosni kapakun e fletës dhe ruajeni brenda në një vend të thatë dhe të lartë e të kyçur, larg fëmijëve.
4. Mirëmbajeni veglën me kujdes. Mbajeni tehun prerës të mprehtë dhe të pastër për performancë më të mirë dhe për të reduktuar rrezikun e lëndimit. Ndiqni udhëzimet për lubrifikimin dhe ndërrimin e aksesorëve. Mbajni mbajtëset të thata, të pastra dhe pa vaj apo graso.
5. Kontrolloni pjesët e dëmtuara. Përpara përdorimit të mëtejshëm të veglës, çdo pjesë që është dëmtuar duhet të kontrollohet me kujdes për të përcaktuar që funksionon siç duhet dhe që e kryen funksionin për të cilin është destinuar. Kontrolloni centrimin e pjesëve lëvizëse, lidhjen e pjesëve lëvizëse, dëmtimin e pjesëve, montimin dhe ndonjë gjendje tjetër që mund të ndikojë te përdorimi i saj. Mbrojtësja ose ndonjë pjesë tjetër e dëmtuar duhet të riparohet siç duhet ose të ndërrohet nga qendra juaj e autorizuar e shërbimit.

6. Përdorni vetëm pjesë këmbimi origjinale.
7. Hiqeni gjithmonë kutinë e baterisë dhe vendoseni kapakun e fletëve mbi fletët e gërsërëve gjatë lëvizjes së veglës në një vend tjetër apo gjatë punës. Asnjëherë mos e mbanini ose mos e transportoni veglën ndërkohë që fletët janë në punë. Mos i kapni asnjëherë fletët me duar.
8. Pastrojini veglën dhe sidomos fletët e gërsërëve pas përdorimit dhe përpara se ta magazinoni veglën për periudha të gjata kohore. Lyeni fletët e gërsërëve pak me vaj dhe vendosni kapakun e fletës.
9. Mos e hidhni baterinë(të) në zjarr. Ajo mund të shpërthejë. Kontrolloni kodet vendore për udhëzime të mundshme të veçanta të hedhjes.
10. Mos e hapni dhe mos e shformoni baterinë(të). Elektroliti i çliruar është gërryes dhe mund të dëmtojë sytë ose lëkurën. Ai mund të jetë toksik nëse gëlltitet.
11. Mos e karikoni baterinë në shi ose në vende të lagura.

RUAJINI KËTO UDHËZIME.

▲ PARALAJMËRIM: MOS lejoni që njohja ose familjarizimi me produktin (të fituara nga përdorimi i shpeshtë) të zëvendësojnë zbatimin me përpikëri të rregullave të sigurisë për produktin në fjalë. KEQPËRDORIMI ose mosndjekja e rregullave të sigurisë të dhëna në këtë manual përdorimi mund të shkaktojë dëmtime të rënda personale.

PËRSHKRIMI I PJESËVE

- **Fig.1:** 1. Kapaku i fletës 2. Doreza e rregullimit të këndit 3. Kapaku 4. Fletët e gërsërëve 5. Leva e rrëshqitjes 6. Mbajtësja e përparme

MONTIMI

▲ PARALAJMËRIM: Përpara montimit ose kalibrimit të pajisjes, fikeni motorin dhe hiqeni kutinë e baterisë. Përndryshe makineria mund të ndizet pa dashje duke rezultuar në lëndime.

▲ PARALAJMËRIM: Kur montoni ose kalibroni pajisjen, gjithmonë uleni atë poshtë. Montimi ose rregullimi i pajisjes në pozicion vertikal mund të rezultojë në lëndime të rënda.

▲ PARALAJMËRIM: Ndiqni paralajmërimet dhe masat paraprake në kapitullin "PARALAJMËRIME SIGURIE" dhe në manualin e përdorimit të njësies elektrike.

Montimi i aksesorit

1. Hiqeni kapakun nga aksessori.
► **Fig.2:** 1. Kapaku
2. Futni tubin në aksesor në mënyrë që vrima e tubit të jetë në një drejtim me vrimën në aksesor. Në fillim shtrëngoni bulonin e shkurtër dhe më pas të gjatin për të fiksuar tubin.
► **Fig.3:** 1. Vrima 2. Tubi 3. Buloni (i shkurtër) 4. Buloni (i gjatë)

SHËNIM: Kur shtrëngoni bulonat, ushtroni 4,0 - 6,0 N.m. si forcë shtrëngimi.

Montimi i tubit bashkues

▲KUJDES: Kontrolloni gjithmonë që tubi i aksesorit të jetë i siguar pas instalimit. Instalimi i gabuar mund të bëjë që aksessori të bjerë nga njësia elektrike dhe të shkaktojë lëndim të personit.

Montojeni tubin bashkues te njësia elektrike.

1. Hiqni kapakun nga fundi i tubit.
► **Fig.4:** 1. Tubi 2. Kapaku

VINI RE: Mos e hidhni kapakun sepse nevojitet për ruajtjen e aksesorit.

2. Rrotullojeni levën drejt aksesorit.
► **Fig.5:** 1. Leva
3. Bashkërenditni kunjin me shenjën e shigjetës në njësinë elektrike. Futni tubin derisa butoni i lëshimit të kërcejë jashtë.
Sigurohuni që vija e pozicionit në majë të shigjetës në njësinë elektrike, shenja e shigjetës në njësinë elektrike dhe shenja e shigjetës në tub të jenë përballë njëra-tjetrës.
► **Fig.6:** 1. Butoni i lëshimit 2. Shenja e shigjetës në njësinë elektrike 3. Kunji 4. Vija e pozicionit 5. Shenja e shigjetës në tub

4. Lëvizeni levën drejt njësies elektrike.
► **Fig.7:** 1. Leva

Sigurohuni që sipërfaqja e levës të jetë paralele me tubin.

VINI RE: Mos e shtrëngoni levën pa pasur të futur tubin e aksesorit. Ndryshe, leva mund ta shtrëngojë hyrjen e boshtit të transmisionit më shumë se sa duhet dhe mund ta dëmtojë.

Për ta hequr tubin, rrotullojeni levën drejt aksesorit dhe nxirreni tubin ndërsa shtypni për poshtë butonin e lëshimit.

- **Fig.8:** 1. Butoni i lëshimit 2. Leva 3. Tubi

Instalimi ose heqja e fletëve të gërshërëve

▲KUJDES: Gjatë ndërrimit të fletëve të gërshërëve, mbani gjithmonë doreza në mënyrë që duart të mos kenë kontakt të drejtpërdrejtë me fletët.

▲KUJDES: Vendosni kapakun e fletëve përpara se të hiqni ose të instaloni fletët e gërshërëve.

VINI RE: Kur zëvendësoni fletët e gërshërëve, mos e fshini grason nga mekanizmi i ndezjes.

SHËNIM: Përpara instalimit ose heqjes së fletëve të gërshërëve, shpaloseni aksesori në mënyrë që ai të jetë drejt me tubin.

- Vendosni kapakun e fletëve te fletët e gërshërëve.
▶ **Fig.9:** 1. Kapaku i fletës
- Vendoseni aksesori me kokë poshtë.
- Hiqni 4 bulonat me çelës heksagonal dhe gjithashtu kapakun dhe pllakën (e madhe).
▶ **Fig.10:** 1. Buloni 2. Kapaku 3. Pllaka (e madhe)
- Rrotulloni mekanizmin e ndezjes me kaçavidën e sheshtë që mekanizmi të vendoset në drejtimin e treguar në figurë.
▶ **Fig.11:** 1. Mekanizmi i ndezjes
- Hiqni 2 bulonat.
▶ **Fig.12:** 1. Buloni
- Hiqni pllakën me shajak (të shkurtër), pllakën me shajak (të gjatë), pllakën (e vogël) dhe manshetat.
▶ **Fig.13:** 1. Pllaka me shajak (e shkurtër) 2. Pllaka me shajak (e gjatë) 3. Pllaka (e vogël) 4. Bokulla
- Hiqni fletët e gërshërëve nga aksesori.
▶ **Fig.14**
- Hiqni kapakun e fletëve dhe më pas vendoseni te fletët e reja të gërshërëve.
- Hiqni mbrojtësen e pluhurit nga fletët e gërshërëve dhe më pas vendoseni në pozicionin e treguar në figurë më fletët e reja të gërshërëve.
▶ **Fig.15:** 1. Mbrojtësja e pluhurit
- Futni bulonin e hequr në hapin 5 në vrimën në fletët e gërshërëve përmes vrimës në kapakun e fletës.
▶ **Fig.16:** 1. Vrima 2. Buloni
- Aplikoni një sasi të vogël grasoje në pjesën periferike të mekanizmit të ndezjes. Vendosni fletët e gërshërëve në aksesori.
▶ **Fig.17**
- Vendosni manshetat, pllakën (e vogël) në fletët e gërshërëve dhe më pas shtrëngoni bulonin.
▶ **Fig.18:** 1. Buloni 2. Pllaka (e vogël) 3. Bokulla
- Hiqni bulonin e futur në vrimën në fletët e gërshërëve në hapin 10 dhe më pas shtrëngojeni për të fiksuar fletët e gërshërëve.
- Vendosni pllakën me shajak (të shkurtër) dhe pllakën me shajak (të gjatë).
▶ **Fig.19:** 1. Pllaka me shajak (e shkurtër) 2. Pllaka me shajak (e gjatë)
- Vendosni pllakën (e madhe) dhe kapakun, dhe më pas shtrëngoni 4 bulonat.
▶ **Fig.20:** 1. Buloni 2. Kapaku 3. Pllaka (e madhe)

VINI RE: Nëse fletët e gërshërëve nuk punojnë siç duhet, fletët nuk po e përdorin mekanizmin ndezës siç duhet. Hiqni fletët dhe instaloni sërish.

VINI RE: Nëse pjesët ndryshe nga fletët e gërshërëve, si p.sh. mekanizmi i ndezjes, janë konsumuar, pyesni pranë Qendrave të autorizuar të shërbimit të Makita për pjesë zëvendësuese ose riparime.

PËRSHKRIMI I PUNËS

▲KUJDES: Sigurohuni gjithmonë që vegla të jetë e fikur dhe kutia e baterisë të jetë hequr përpara se ta rregulloni apo t'i kontrolloni funksionet e veglës.

Rregullimi i këndit të prerjes

▲KUJDES: Sigurohuni gjithmonë që vegla të jetë fikur përpara se të rregulloni këndin e prerjes.

Këndi i kokës mund të rregullohet me 13 hapa. Për të ndryshuar këndin e kokës, ndiqni hapat më poshtë.

- Mbajeni dorezën e rregullimit të këndit dhe më pas rregulloni këndin e kokës, ndërsa tërhiqni levën e rrëshqitjes, dhe më tej lëshoni levën e rrëshqitjes.
▶ **Fig.21:** 1. Leva e rrëshqitjes 2. Doreza e rregullimit të këndit

- Hiqni kokën lehtë derisa të bllokohet me një klikim.

SHËNIM: Sigurohuni që koka të jetë e bllokuar mirë përpara se të përdorni veglën.

PËRDORIMI

▲PARALAJMËRIM: Ndiqni paralajmërimet dhe masat paraprake në kapitullin "PARALAJMËRIME SIGURIE" dhe në manualin e përdorimit të njësisë elektrike.

Përdorimi i veglës

▲PARALAJMËRIM: Mos e përdorni veglën pranë linjave elektrike. Kontakti me linjat elektrike ose përdorimi i veglës pranë linjave elektrike mund të shkaktojë lëndime serioze ose goditje elektrike që rezulton në vdekje.

▲PARALAJMËRIM: Mbajni duart larg fletëve të gërshërëve.

▲PARALAJMËRIM: Bëni kujdes maksimal për të ruajtur kontrollin e veglës gjatë gjithë kohës. Mos lejoni që vegla të afrohet drejt jush ose ndokujt në afërsi të ambientit të punës. Humbja e kontrollit të veglës mund të shkaktojë lëndime serioze për personat në afërsi dhe përdoruesin.

▲KUJDES: Shmangni përdorimin e veglës në mot shumë të nxehtë sa më shumë që të jetë e mundur. Tregoni kujdes për gjendjen tuaj fizike gjatë përdorimit të veglës.

▲KUJDES: Bëni kujdes të mos prekni aksidentalisht ndonjë gardh metalik ose objekte të tjera të forta gjatë prerjes. Fletët e gërsërëve do të thyhen dhe mund të shkaktojnë lëndim.

▲KUJDES: Kini kujdes të mos lejoni që fletët e gërsërëve të kontaktojnë me tokën. Vegla do të zbrapset dhe mund të shkaktojnë lëndim.

▲KUJDES: Është shumë e rrezikshme të zgjateni me prerësin e shkurreve, veçanërisht nga një shkallë. Mos punoni ndërsa qëndroni në këmbë mbi ndonjë vend i lëvizshëm ose të paqëndrueshëm.

VINI RE: Mos provoni të prisni degë më të trasha se 10 mm në diametër me veglën. Pritini paraprakisht degët 10 cm më ulët se lartësia e prerjes duke përdorur prerëse degësh përpara se të përdorni veglën.

► Fig.22: (1) Lartësia e prerjes (2) 10 cm

VINI RE: Mos pritni pemë të thata ose objekte të ngjashme të forta. Duke vepruar kështu mund të dëmtoni veglën.

VINI RE: Mos pritni bar ose barishte gjatë përdorimit të fletëve të gërsërëve. Fletët e gërsërëve mund të ngecin nëpër bar ose barishte.

Mbajeni veglën me të dyja duart, duke mbajtur dorezën e përparme të njësisë elektrike ose mbajtësen e përparme të aksesorit dhe mbajtësen e pasme të njësisë elektrike.

► Fig.23: 1. Doreza e përparme 2. Mbajtësja e pasme

Tërhiqni këmbëzën e çelësit, ndërkohë që shtypni levën e zhblokimit dhe më pas lëvizni veglën përpara.

► Fig.24

Për përdorim bazë, anoni fletët e gërsërëve në drejtimin e prerjes dhe lëvizni lehtë dhe ngadalë me shpejtësi prej 3 deri 4 sekondash për metër.

► Fig.25

Për ta prerë pjesën anësore të shkurreve në mënyrë të njëtrajtshme, pritni nga poshtë lart.

► Fig.26

Kur pritni për të bërë një formë të rrumbullakët (perja e drurit të bushit ose të rododendrës, etj.), prisni nga rrethja deri lart për një paraqitje të bukur.

► Fig.27

MIRËMBAJTJA

▲PARALAJMËRIM: Përpara inspektimit apo mirëmbajtjes së pajisjes, fikni motorin dhe hiqni kutinë e baterisë. Përndryshe makineria mund të ndizet pa dashje duke shkaktuar lëndim të rëndë.

▲PARALAJMËRIM: Kur inspektoni ose kryeni mirëmbajtjen e pajisjes, gjithmonë uleni poshtë atë. Montimi ose rregullimi i pajisjes në pozicion vertikal mund të rezultojë në lëndime të rënda.

▲PARALAJMËRIM: Ndiqni paralajmërimet dhe masat paraprake në kapitullin "PARALAJMËRIME SIGURIE" dhe në manualin e përdorimit të njësisë elektrike.

▲KUJDES: Vini gjithmonë doreza kur kryeni inspektimin ose mirëmbajtjen.

VINI RE: Mos përdorni kurrë benzinë, benzinë pastrimi, hollues, alkoool dhe të ngjashme. Mund të shkaktoni çngjyrosje, deformime ose krisje.

Për të ruajtur SIGURINË dhe QËNDRUESHMËRINË, riparimet dhe çdo mirëmbajtje apo rregullim tjetër duhen kryer nga qendrat e autorizuar të shërbimit ose të shërbimit të fabrikës të Makita-s, duke përdorur gjithnjë pjesë këmbimi të Makita-s.

Pastrimi i veglës

Pastrojeni veglën duke e fshirë tallashin me një leckë të thatë ose me një të njomur me ujë me sapun dhe të shtrydhur.

VINI RE: Mos përdorni kurrë benzinë, benzinë pastrimi, hollues, alkoool dhe të ngjashme. Mund të shkaktoni çngjyrosje, deformime ose krisje.

Mirëmbajtja e fletës së gërsërëve

Përpara përdorimit ose një herë në orë gjatë përdorimit, aplikoni te fletët e gërsërëve vaj me viskozitet të ulët (vaj makinerie ose vaj lubrifikues të llojit me sprucim).

► Fig.28

Pas përdorimit, hiqni tallashin nga të dyja anët e fletëve të gërsërëve me fuqë me tela, fshijeni me një leckë dhe më pas aplikoni te fletët e gërsërëve vaj me viskozitet të ulët (vaj makinerie ose vaj lubrifikues të llojit me sprucim).

► Fig.29

VINI RE: Mos i lani fletët e gërsërëve me ujë. Duke vepruar kështu mund të shkaktohet ndryshje ose dëmtim i veglës.

VINI RE: Papastërtitë dhe gërryerja shkaktojnë fërkim të tepërt të fletës dhe shkurtojnë kohën e funksionimit për çdo karikim baterie.

Magazinimi

Vendosni kapakun e fletëve në fletët e gërshërëve në mënyrë që fletët të mos jenë të ekspozuara. Ruajeni veglën larg fëmijëve. Ruajeni veglën në vende që nuk janë të ekspozuara ndaj lagështirës dhe shiut. Kur e magazinoni aksesorin veçmas njësisë elektrike, vendosni kapakun në fund të tubit.

► Fig.30

Lubrifikimi i pjesëve lëvizëse

VINI RE: Ndiqni udhëzimin për shpeshhtësinë dhe sasinë e grasos që aplikohet. Ndryshe, lubrifikimi i papërshtatshëm mund të dëmtojë pjesët lëvizëse.

Aksi i transmisionit:

Aplikoni graso (graso Makita N No.2 ose ekuivalent të saj) çdo 30 orë pune.

► Fig.31

SHËNIM: Grasoja origjinale Makita mund të blihet nga shitësi juaj lokal i Makita.

Lubrifikimi me graso

Intervali i lubrifikimit: Çdo 25 orë pune

1. Hiqni bulonin nga vrima për lubrifikim.

► Fig.32: 1. Buloni

2. Hiqni kapakun nga ena e grasos. Drejtoni daljen e enës së grasos me vrimën në kapak dhe më pas kthejeni enën e grasos për ta lidhur daljen e saj me vrimën.

► Fig.33: 1. Ena e grasos 2. Vrima

3. Aplikoni grason në vegël (rreth 3 g si udhëzim).
4. Hiqni enën e grasos.
5. Shtërngoni bulonin.

Konsumimi i fletëve të gërshërëve

VINI RE: Nëse fletët e gërshërëve janë të deformuara shumë nga konsumimi, ndërroni fletët e gërshërëve me të reja.

1. Instaloni kutinë e baterisë në vegël.
2. Ndzini dhe nisni veglën në mënyrë që fleta e sipërme dhe fleta e poshtme të pozicionohen në formë të alternuar.

► Fig.34

3. Fikeni veglën dhe hiqni kutinë e baterisë nga vegla.
4. Vendoseni këndin e limës në 45° dhe lëmoni fletën e sipërme nga 3 drejtime me limë.

► Fig.35: (1) Lima (2) 45°

▲KUJDES: Përpara lëmimit të fletëve të gërshërëve, sigurohuni që vegla të jetë e fikur dhe kutia e baterisë të jetë hequr nga vegla.

5. Vendoseni veglën me kokë poshtë, më pas hiqni cifat nga fletët e gërshërëve me gurin e lëmimit.

► Fig.36: 1. Guri i lëmimit

6. Vendoseni këndin e limës në 45° dhe lëmoni fletën e poshtme nga 3 drejtime me limë.

7. Kthejeni veglën në pozicionin normal, më pas hiqni cifat nga fletët e gërshërëve me gurin e lëmimit.

NDREQJA E DEFEKTEVE

Përpara se të kërkonti riparime bëni inspektimet tuaja. Nëse zbuloni ndonjë problem që nuk shpjegohet në manual, mos u mundoni të çmontoni veglën. Por për riparime drejtojueni Qendrave të Autorizuara të Shërbimit Makita, duke përdorur gjithmonë pjesë zëvendësuese Makita.

Gjendja anormale	Shkaku i mundshëm (keqfunksionimi)	Zgjidhja
Motori nuk ndizet.	-	Referojuni manualit të përdorimit të njësisë elektrike.
Motori ndalon shpejt.	-	Referojuni manualit të përdorimit të njësisë elektrike.
Shpejtësia e motorit nuk rritet.	-	Referojuni manualit të përdorimit të njësisë elektrike.
Fletët e gërshërëve nuk lëvizin: ⇒ ndalojeni menjëherë makinerinë!	Kanë ngecur objekte të huaja mes fletëve të gërshërëve. Sistemi i lëvizjes nuk funksionon mirë.	Fikeni veglën dhe hiqni kutinë e baterisë, më pas hiqni objektet e huaja duke përdorur vegla të tilla si pinca. Kërkojini qendrës lokale të autorizuar të shërbimit që ta riparojë.
Dridhje jonormale: ⇒ ndalojeni menjëherë makinerinë!	Fletët e gërshërëve janë thyer, përthyer ose konsumuar. Sistemi i lëvizjes nuk funksionon mirë.	Zëvendësoni fletët e gërshërës. Kërkojini qendrës lokale të autorizuar të shërbimit që ta riparojë.
Fletët e gërshërëve dhe motori nuk ndalojnë: ⇒ Hiqni menjëherë baterinë!	Keqfunksionim elektrik.	Hiqni baterinë dhe kërkojini qendrës lokale të autorizuar të shërbimit që ta riparojë.

AKSESORË OPSIONALË

⚠️KUJDES: Këta aksesorë ose shtojca rekomandohen për përdorim me makinerinë Makita të përcaktuar në këtë manual. Përdorimi i aksesorëve apo i shtojcave të tjera mund të përbëjë rrezik lëndimi ndaj njerëzve. Aksesorët ose shtojcat përdorini vetëm për qëllimin e tyre të përcaktuar.

Nëse keni nevojë për më shumë të dhëna në lidhje me aksesorët, pyesni qendrën vendore të shërbimit të Makita-s.

- Grupi i fletëve të gërshërëve
- Ena e grasos
- Bateri dhe ngarkues origjinal Makita

SHËNIM: Disa artikuj të listës mund të përfshihen në paketën e produktit si aksesorë standardë. Ato mund të ndryshojnë nga njëri shtet në tjetrin.

СПЕЦИФИКАЦИИ

Модел:	EN402MP
Дължина на острието	500 мм
Обща дължина	1444 мм
Нето тегло	2,4 кг

- Поради нашата непрекъсната научно-развойна дейност посочените тук спецификации могат да бъдат променени без предизвестие.
- Спецификациите може да са различни в различните държави.

Одобрен задвижващ механизъм

Тази приставка е одобрена за използване само със следния(те) захранващ(и) механизъм(и):

- Многофункционална задвижваща глава без кабел DUX60
- Многофункционална задвижваща глава без кабел DUX18
- Многофункционална задвижваща глава без кабел UX01G

▲ ПРЕДУПРЕЖДЕНИЕ: Никога не използвайте приставката с неodobрен задвижващ механизъм. Неodobрената комбинация може да причини сериозни наранявания.

Символи

По-долу са описани символите, които може да се използват за тази машина. Задължително е да се запознаете с техните значения, преди да пристъпите към работа.



Прочетете и спазвайте ръководството за експлоатация.



ОПАСНОСТ - Дръжте ръцете си далеч от острието.



Пазете се от електропроводи. Опасност от токов удар.



Носете предпазна каска, очила и предпазни средства за слуха и очите.



Носете предпазни ръкавици.



Носете здрави обувки с неплъзгащи се подметки.



Не допускайте странични лица и животни по-близо от 15 м (50 ft) от електрическия инструмент.



Не допускайте в зоната на работа хора и животни.



Гарантирано ниво на звукова мощност съгласно директивата на ЕС за шумовите емисии на съоръжения, предназначени за употреба извън сградите.



Ниво на звукова мощност съгласно Регламента за управление на шума на Нов Южен Уелс, Австралия

Предназначение

Тази приставка е предназначена единствено за подрязване на жив плет, заедно с одобрен захранващ блок. Никога не използвайте приставката за други цели. Неправилното използване на приставката може да доведе до сериозни наранявания.

ЕО декларация за съответствие

Само за европейските страни

В качеството си на производители: **ние, Makita Europe N.V.**, търговски адрес: **Jan-Baptist Vinkstraat 2 3070 Kortenberg БЕЛГИЯ**. Упълномощаваме **Hiroshi Tsujimura** да състави техническата документация и декларираме на своя лична отговорност, че продуктът(ите);

Обозначение: **Приставка тример за жив плет.**

Обозначение на типа(овете): **EN402MP.**

Отговаря на всички приложими клаузи на **2006/42/ЕО**, също и на всички приложими клаузи на следващите Директиви на ЕО/ЕС: **2000/14/ЕО** и са произведени в съответствие със следните хармонизирани стандарти: **EN62841-1:2015, EN 62841-4-2:2019, EN ISO 11806-1:2011.**

Място и дата на декларацията: **Kortenberg, Белгия. 20. 12. 2022**

Отговорно лице: **Hiroshi Tsujimura, директор – Makita Europe N.V.**

ПРЕДУПРЕЖДЕНИЯ ЗА БЕЗОПАСНОСТ

Предупреждения за безопасна работа с акумулаторен телескопичен хросторез

1. По време на работа дръжте всички части на тялото си далеч от острието. Не правете опити да чистите отрязания материал или да задържате материал, който трябва да бъде отрязан, докато режете остриета са в движение. Остриетата продължават да се движат и след изключването на превключвателя. Един миг на невнимание по време на работа с хростореза може да доведе до сериозно наранявания.
2. Носете хростореза за дръжката, със спряно острие, като внимавате да не задействате нито един мрежов ключ. Правилното носене на хростореза ще намали риска от неволното му включване и предизвиканото от това нараняване от остриетата.
3. При транспортиране или съхраняване на хростореза винаги поставяйте капака на остриетата. Правилното боравене с хростореза ще намали риска от нараняване от остриетата.
4. При почистване на заседналият материал или обслужване на инструмента, се уверете, че всички мрежови ключове са изключени и батерията е извадена или разкачена. Неочакваното задействане на хростореза по време на почистване на заседналият материал или обслужване може да доведе до сериозно нараняване.
5. Дръжте хростореза само за изолираните повърхности за хващане, защото има опасност острието да влезе в контакт със скрити проводници. Ако остриетата докоснат проводник под напрежение, токът може да премине през металните части на хростореза и да подложи работещия на електрически удар.
6. Дръжте всички захванващи и други кабели далече от зоната на рязане. В живия плет или хростите може да има скрити електрически проводници или кабели, които може случайно да бъдат прерязани от острието.
7. Не използвайте хростореза при лоши атмосферни условия, особено когато има риск от светкавици. Това намалява риска да бъдете ударени от мълния.
8. За да намалите риска от електрически удар, никога не използвайте телескопичния хросторез в близост до електропроводи. Контактът с електропроводи или използването в близост до тях може да причини сериозно нараняване или електрически удар, който да доведе до смърт.
9. При работа с телескопичния хросторез винаги използвайте и двете си ръце. Дръжте телескопичния хросторез с две ръце, за да избегнете загуба на контрол.

10. Винаги използвайте предпазни средства за главата, когато работите с телескопичния хросторез на височина над главата си. Падащите изрезки може да предизвикат сериозно нараняване.

Допълнителни инструкции за безопасност

Подготовка

1. **ХРОСТОРЕЗЪТ МОЖЕ ДА ПРИЧИНИ СЕРИОЗНИ НАРАНЯВАНИЯ.** Прочетете внимателно инструкциите относно правилното боравене, подготовка, поддръжка, пускане в действие и спиране на инструмента. Запознайте се с всички органи за управление и с правилната експлоатация на инструмента.
2. Преди да работите с инструмента, проверете живия плет и хростите за наличие на чужди предмети, например телени огради или скрити кабели.
3. С хростореза не трябва да работят деца и младежи под 18-годишна възраст. Младежи над 16-годишна възраст може да бъдат освободени от това ограничение, ако преминават обучение под надзора на специалист.
4. В аварийна ситуация изключете инструмента и незабавно извадете акумулаторната батерия.
5. **ОПАСНОСТ - Дръжте ръцете далеч от диска.** Допирът до диска ще доведе до сериозно наранявания.
6. **Опитен потребител трябва да покаже на потребителят, които ще работят с инструмента за първи път, как да го използват.**
7. Преди работа прегледайте работната зона за наличие на телени огради, камъни или твърди предмети. Те могат да повредят ножовете.
8. Използвайте хростореза само ако сте в добро физическо състояние. Ако сте уморени, вниманието ви е притъпено. Бъдете особено внимателни в края на работния ден. Изпълнявайте всички работни дейности спокойно и внимателно. Потребителят носи отговорност за всички щети, нанесени на трети страни.
9. Преди започване на работа проверете дали тримерът е в добро и безопасно работно състояние. Уверете се, че предпазителите са правилно поставени. Хросторезът не трябва да се използва, освен ако не е напълно сглобен.
10. Избягвайте опасни среди. Инструментът да не се използва във влажни или мокри участъци и да не се излага на дъжд. Попадналата в инструмента вода увеличава риска от токов удар.

Лични предпазни средства

1. Работните ръкавици от здрава кожа са неотменима част от базовото оборудване на хростореза и трябва винаги да бъдат носени при работа с него. Необходимо е да се носят и здрави обувки с подметки, осигуряващи добро сцепление.

2. Носете предпазни средства за слуха като наушници, за да не се стигне до увреждане на слуха.
3. Носете защитни очила, каска и ръкавици, за да се предпазите от отхвъркнали изрезки или падащи предмети.
4. Когато пипате ножовете или регулирате ръчката на ножовете, носете предпазни ръкавици. Ножовете могат да порежат жестоко незащитени ръце.
11. По време на работа внимавайте да не влезете в случаен контакт с метална ограда или други твърди обекти. Острието може да се счупи и да причини сериозно нараняване.
12. Избягвайте случайно пускане в действие. Не пренасяйте инструмента с монтирана акумулаторна батерия и пръст, поставен на прекъсвача. Уверете се, че прекъсвачът е изключен, когато монтирате акумулаторната батерия.

Работа

1. При работа с инструмента винаги използвайте и двете си ръце. Работата с една ръка може да доведе до загуба на контрол и сериозно нараняване.
2. Когато работите с инструмента, винаги се уверявайте, че работното положение, което сте заели, е безопасно и сигурно. Прекомерното протягане с инструмента, особено от стълба, е изключително опасно. Не работете, застанали върху нещо, което се клати или е нестабилно.
3. Когато работите с инструмента, не носете едновременно няколко ремъка за колан и/или за рамо.
4. По време на работа не допускайте странични лица или животни по-близо от 15 м до инструмента. При приближаване на външно лице веднага спрете инструмента.
5. Ако режещият инструмент се удари в някакъв предмет или инструментът започне да издава необичайни шумове или вибрации, изключете го, извадете незабавно акумулаторната батерия и оставете инструмента да спре. И изпълнете следните стъпки:
 - проверете за наличие на повреда
 - проверете и затегнете разхлабените части
 - сменете или ремонтирайте всички повредени части с оригинални резервни части.
6. Използвайте инструмента само по предназначение. Не използвайте инструмента за никаква друга цел.
7. Изключете инструмента и извадете акумулаторната батерия преди:
 - почистване или премахване на задръстване,
 - проверка, извършване на поддръжка или работа по инструмента,
 - регулиране на работното положение на режещите остриета,
 - оставяне на инструмента без надзор.
8. Преди да пуснете в действие инструмента, уверете се, че той е правилно поставен в обозначено работно положение.
9. Не работете с инструмента, ако режещите остриета са повредени или прекалено износени.
10. Винаги внимавайте за това, което става наоколо, и бъдете нащрек за възможни опасности, на които може да не сте обърнали внимание поради шума от инструмента.
11. Когато вдигате или държите инструмента, не хващайте непокритите режещи остриета или режещи ръбове.
12. Не натискайте прекалено силно инструмента. Той ще върши работата си по-добре и с по-малка вероятност за възникване на опасност или нараняване, ако работите със скоростта, за която е проектиран.
13. Не използвайте инструмента при дъжд или при много мокри или влажни условия. Електромоторът не е водоустойчив.
14. По време на работа дръжте инструмента здраво.
15. Не оставяйте инструмента да работи излишно на празен ход.
16. Преди проверка на режещите остриета, поправка на неизправности или почистване на чужди предмети, захванати в режещите остриета, винаги изключвайте инструмента и изваждайте акумулаторната батерия.
17. Никога не насочвайте остриетата на ножа към себе си или към други хора.
18. Ако дисковете спрат да се движат поради заклещване на чужди предмети между тях по време на работа, изключете инструмента и извадете акумулаторната батерия, след което извадете чуждите предмети посредством инструменти, например клещи. Изваждането на чуждите предмети с ръка може да доведе до нараняване, тъй като дисковете може да се задвижат при изваждането на чуждите предмети.
19. Когато поставяте или сваляте капака на остриетата, внимавайте да не нараните ръцете си.

Безопасност при работа с електрически ток и акумулаторната батерия

1. Избягвайте опасни среди. Инструментът да не се използва на влажни или мокри места и да не се излага на дъжд. Попадналата в инструмента вода увеличава риска от токов удар.
2. Не изхвърляйте акумулаторната(ите) батерия(и) в огън. Клетките на батерията могат да експлодират. Проверете местните разпоредби за евентуални специални инструкции за унищожаване.
3. Не отваряйте или повреждайте акумулаторната батерия(и). Изтичащият електролит има разяждащо действие и може да увреди очите или кожата. Може да бъде токсичен при поглъщане.
4. Не зареждайте батерията под дъжд или на влажни места.

5. Не зареждайте акумулаторната батерия на открито.
6. Не хващайте зарядното устройство, включително щепсела и изводите му, с мокри ръце.

Техническа поддръжка и съхранение

1. Когато спрете инструмента, за да извършите обслужване, проверка или съхранение, изключете го, извадете акумулаторната батерия и се уверете, че всички движещи се части са спрели. Оставете инструмента да се охлади, преди да направите проверки, регулировка и т.н.
2. Винаги изчакайте инструмента да се охлади преди да го приберете за съхранение.
3. Когато не използвате инструмента, поставете капака на остриетата и съхранявайте инструмента на закрито, на сухо и високо разположено заключващо се място, далече от достъпа на деца.
4. Поддържайте грижливо инструмента. Поддържайте режещия ръб остър и чист, за да си осигурите най-добра ефективност и да намалите риска от нараняване. Следвайте инструкциите за смазване и смяна на принадлежности. Поддържайте дръжките сухи и чисти – без масло и грес.
5. Проверявайте за повредени части. Преди да продължите да използвате инструмента, всяка повредена част трябва да бъде проверена внимателно, за да се определи дали тя ще работи правилно и ще изпълнява предназначението си. Проверявайте подравняването на движещите се части за огъване, повреди, монтаж или други условия, които могат да повлияят на функционирането им. Ако предпазителят или друга част са повредени, те трябва да бъдат съответно ремонтирани или заменени в оторизиран сервизен център.
6. Използвайте само оригинални резервни части.
7. При пренасяне на инструмента на друго място, включително и по време на работа, винаги изваждайте акумулаторната батерия и поставяйте капака върху режещите остриета. Не носете и не транспортирайте инструмента, когато остриетата се движат. Никога не докосвайте остриетата с ръце.
8. Почистявайте инструмента и особено режещите остриета след употреба и преди съхраняването му за продължителни периоди от време. Леко смажете с масло режещите остриета и поставете капака им.
9. Не извърляйте акумулаторната(ите) батерия(и) в огън. Клетките на батерията могат да експлодират. Проверете местните разпоредби за евентуални специални инструкции за унищожаване.
10. Не отваряйте или повреждайте акумулаторната батерия(и). Изтичащият електролит има разяждащо действие и може да увреди очите или кожата. Може да бъде токсичен при поглъщане.

11. Не зареждайте батерията под дъжд или на влажни места.

ЗАПАЗЕТЕ НАСТОЯЩИТЕ ИНСТРУКЦИИ.

▲ ПРЕДУПРЕЖДЕНИЕ: НЕ позволявайте комфорта от познаването на продукта (придобит при дългата му употреба) да замени стриктното спазване на правилата за безопасност за въпросния продукт. **НЕПРАВИЛНАТА УПОТРЕБА** и неспазването на правилата за безопасност, посочени в настоящото ръководство за експлоатация, може да доведе до тежки наранявания.

ОПИСАНИЕ НА ЧАСТИТЕ

- **Фиг.1:** 1. Капак на ножа 2. Ръкохватка за регулиране на ъгъла 3. Капачка 4. Остриета на ножа 5. Плъзгач 6. Предна дръжка

СГЛОБЯВАНЕ

▲ ПРЕДУПРЕЖДЕНИЕ: Преди сглобяване или регулиране на оборудването изключете мотора и извадете акумулаторната батерия. В противен случай машината може да се стартира внезапно и да причини нараняване.

▲ ПРЕДУПРЕЖДЕНИЕ: При сглобяване или регулиране на оборудването винаги го поставяйте на земята. Сглобяването или регулирането на оборудването в изправено положение може да доведе до сериозно нараняване.

▲ ПРЕДУПРЕЖДЕНИЕ: Следвайте предупрежденията и мерките за безопасност в главата „ПРЕДУПРЕЖДЕНИЯ ЗА БЕЗОПАСНОСТ“ и в ръководството за експлоатация на задвижващия механизъм.

Сглобяване на приставката

1. Отстранете капачката от приставката.

► **Фиг.2:** 1. Капачка

2. Поставете тръбата в приставката, така че отворът на тръбата да е подравнен с този на приставката. Затегнете здраво първо късия болт, а след това затегнете дългия болт, за да фиксирате тръбата.

► **Фиг.3:** 1. Отвор 2. Тръба 3. Болт (къс) 4. Болт (дълъг)

ЗАБЕЛЕЖКА: При затягането на болтовете прилагайте момент на затягане 4,0 – 6,0 N•m.

Монтиране на тръбата за приставка

⚠ВНИМАНИЕ: Винаги проверявайте закрепването на тръбата за приставката след монтажа. Неправилният монтаж може да доведе до падане на приставката от задвижващия механизъм и да предизвика нараняване.

Монтирайте тръбата за приставка към инструмента.

1. Свалете капачката от края на тръбата.
- **Фиг.4:** 1. Тръба 2. Капачка

БЕЛЕЖКА: Не изхвърляйте капачката, тъй като тя ще е необходима при прибиране на приставката.

2. Завъртете лоста към приставката.
- **Фиг.5:** 1. Лост
3. Изравнете щифта със стрелката на задвижващия механизъм. Вмъквайте тръбата, докато бутонът за освобождаване изскочи.

Уверете се, че линията за позициониране е върху върха на стрелката на задвижващия механизъм, а стрелката на задвижващия механизъм и стрелката на тръбата са обърнати една към друга.

- **Фиг.6:** 1. Освобождаващ бутон 2. Стрелка на задвижващия механизъм 3. Щифт 4. Линия на позициониране 5. Стрелка на тръбата

4. Завъртете лоста към задвижващия механизъм.
- **Фиг.7:** 1. Лост

Уверете се, че повърхността на лоста е паралелна на тръбата.

БЕЛЕЖКА: Не затягайте лоста, без да сте поставили тръбата за приставката. В противен случай лостът може да затегне прекалено много входа на задвижващия вал и да го повреди.

За да свалите тръбата, завъртете лоста към приставката и издръпайте тръбата навън, като натискате надолу бутона за освобождаване.

- **Фиг.8:** 1. Освобождаващ бутон 2. Лост 3. Тръба

Монтиране или демонтиране на остриетата на ножа

⚠ВНИМАНИЕ: Когато сменяте остриетата на ножа, винаги носете ръкавици, за да избегнете пряк контакт на ръцете си с режещите ръбове.

⚠ВНИМАНИЕ: Монтирайте капака на острието преди демонтаж или монтаж на режещите остриета.

БЕЛЕЖКА: Когато сменяте режещите остриета, не изчиствайте греста от ексцентрика.

ЗАБЕЛЕЖКА: Преди да монтирате или да свалите режещите остриета, разгънете приставката, така че да е права спрямо тръбата.

1. Поставете капака на острието на режещите остриета.

► **Фиг.9:** 1. Капак на ножа

2. Поставете приставката с горната страна надолу.

3. Свалете 4-те болта с шестограмния ключ и свалете капака и пластината (голяма).

► **Фиг.10:** 1. Болт 2. Капак 3. Пластина (голяма)

4. Завъртете ексцентрика с правата отвертка, така че ексцентрикът да бъде позициониран в посоката, показана на фигурата.

► **Фиг.11:** 1. Ексцентрик

5. Свалете 2-та болта.

► **Фиг.12:** 1. Болт

6. Свалете филцовата подложка (къса), филцовата подложка (дълга), пластината (малка) и пръстените.

► **Фиг.13:** 1. Филцова подложка (къса) 2. Филцова подложка (дълга) 3. Пластина (малка) 4. Пръстен

7. Извадете режещите остриета от приставката.
- **Фиг.14**

8. Свалете капака на режещите остриета и след това го прикрепете към новите.

9. Свалете прахозащитната капачка от режещите остриета и след това я поставете в позицията, показана на фигурата, върху новите режещи остриета.

► **Фиг.15:** 1. Прахозащитна капачка

10. Поставете болта, изваден в стъпка 5, в отвора на режещите остриета през отвора на капака на остриетата.

► **Фиг.16:** 1. Отвор 2. Болт

11. Нанесете малко количество грес по периферията на ексцентрика. Прикрепете режещите остриета към приставката.

► **Фиг.17**

12. Поставете пръстените, пластината (малка) към режещите остриета и след това затегнете болта.

► **Фиг.18:** 1. Болт 2. Пластина (малка) 3. Пръстен

13. Отстранете болта, поставен в отвора на остриетата в стъпка 10, след което го затегнете, за да се фиксират режещите остриета.

14. Поставете филцовата подложка (къса) и филцовата подложка (дълга).

► **Фиг.19:** 1. Филцова подложка (къса) 2. Филцова подложка (дълга)

15. Поставете пластината (голяма) и капака и след това затегнете 4-те болта.

► **Фиг.20:** 1. Болт 2. Капак 3. Пластина (голяма)

БЕЛЕЖКА: Ако режещите остриета не работят правилно, те не са зацелени правилно на ексцентрика. Свалете остриетата и ги монтирайте отново.

БЕЛЕЖКА: Ако се износят други части, различни от остриетата, например ексцентрика, попитайте в оторизираните сервизни центрове на Makita за резервни части или ремонт.

ОПИСАНИЕ НА ФУНКЦИИТЕ

⚠ВНИМАНИЕ: Винаги проверявайте дали инструментът е изключен и касетата с акумулаторната батерия е извадена, преди да регулирате или проверявате дадена функция на инструмента.

Регулиране на ъгъла на рязане

⚠ВНИМАНИЕ: Винаги проверявайте дали инструментът е изключен, преди да регулирате ъгъла на рязане.

Ъгълът на главата може да се регулира на 13 стъпки. За да промените ъгъла на главата, изпълнете стъпките по-долу.

1. Хванете ръкохватката за регулиране на ъгъла и регулирайте ъгъла на главата, докато дърпате плъзгача, и след това освободете плъзгача.

► **Фиг.21:** 1. Плъзгач 2. Ръкохватка за регулиране на ъгъла

2. Придвигнете леко главата, докато се блокира с щракване.

ЗАБЕЛЕЖКА: Преди да работите с инструмента, уверете се, че главата е здраво блокирана.

Експлоатация

⚠ПРЕДУПРЕЖДЕНИЕ: Следвайте предупрежденията и мерките за безопасност в главата „ПРЕДУПРЕЖДЕНИЯ ЗА БЕЗОПАСНОСТ“ и в ръководството за експлоатация на задвижващия механизъм.

Работа с инструмента

⚠ПРЕДУПРЕЖДЕНИЕ: Не използвайте инструмента в близост до електропроводи. Контактът с електропроводи или използването на инструмента в близост до тях може да причини сериозно нараняване или електрически удар, който да доведе до смърт.

⚠ПРЕДУПРЕЖДЕНИЕ: Дръжте ръцете си далеч от остриетата на ножа.

⚠ПРЕДУПРЕЖДЕНИЕ: Особено внимавайте в такива моменти уредът да е под контрол. Не допускайте уредът да се накланя към вас или друг човек, намиращ се наблизо. Ако не се поддържа контрол върху уреда, съществува опасност от сериозно нараняване на оператора и близо стоящи хора.

⚠ВНИМАНИЕ: Доколкото е възможно, избягвайте работа с инструмента при много горещо време. При работа с инструмента обръщайте внимание на вашето физическо състояние.

⚠ВНИМАНИЕ: По време на подрязване внимавайте да не влезете в случаен контакт с метална ограда или други твърди обекти. Остриетата на ножа може да се счупят и да причинят нараняване.

⚠ВНИМАНИЕ: Не допускайте режещите остриета да влизат в контакт със земята. Инструментът може да отскочи и да причини нараняване.

⚠ВНИМАНИЕ: Прекомерното протягане с хростореза, особено от стълба, е изключително опасно. Не работете, застанали върху платформа, която се клати или е нестабилна.

БЕЛЕЖКА: Не опитвайте да режете с инструмента клони, които са по-дебели от 10 мм в диаметър. Преди да използвате инструмента, с резачките за клони предварително подрежете клоните на 10 см под височината на рязане.

► **Фиг.22:** (1) Височина на рязане (2) 10 см

БЕЛЕЖКА: Не отрязвайте мъртви дървета или подобни твърди обекти. Това може да повреди инструмента.

БЕЛЕЖКА: Не подрязвайте трева и плевели, използвайки остриетата на ножа. Остриетата на ножа може да се залепат в тревата или плевелите.

Хванете инструмента с две ръце, като държите предната ръкохватка на задвижващия механизъм или предната ръкохватка на приставката и задната дръжка на задвижващия механизъм.

► **Фиг.23:** 1. Предна ръкохватка 2. Задна дръжка

Натиснете пусковия прекъсвач, като едновременно с това натиснете блокиращия лост, и след това придвижете инструмента напред.

► **Фиг.24**

За основна операция наклонете остриетата на ножа по посока на подрязването и внимателно и бавно го движете напред със скорост от 3 до 4 секунди на метър.

► **Фиг.25**

За равно рязане на страните на живия плет, режете от долу нагоре.

► **Фиг.26**

Когато при подрязването искате да получите кръгла форма (подрязване на чемшир, рододендрон и др.), подрязвайте от корена към върха, за да се получи красив вършек.

► **Фиг.27**

ПОДДРЪЖКА

▲ ПРЕДУПРЕЖДЕНИЕ: Преди да проверите или да извършите техническа поддръжка на оборудването, изключете двигателя и извадете акумулаторната батерия. В противен случай машината може да се стартира внезапно и да причини сериозно нараняване.

▲ ПРЕДУПРЕЖДЕНИЕ: Когато проверявате или извършвате техническо обслужване на оборудването, винаги го поставяйте на земята. Сглобяването или регулирането на оборудването в изправено положение може да доведе до сериозно нараняване.

▲ ПРЕДУПРЕЖДЕНИЕ: Следвайте предупрежденията и мерките за безопасност в главата „ПРЕДУПРЕЖДЕНИЯ ЗА БЕЗОПАСНОСТ“ и в ръководството за експлоатация на задвижващия механизъм.

▲ ВНИМАНИЕ: Носете предпазни ръкавици при извършване на проверка или техническо обслужване.

БЕЛЕЖКА: Не използвайте бензин, нафта, разреждател, спирт и др. подобни. Това може да причини обезцветяване, деформация или пукнатини.

За да се поддържа БЕЗОПАСНОСТТА и НАДЕЖНОСТТА на продукта, ремонтите, поддръжката или регулирането трябва да се извършват от упълномощен сервиз или фабрични сервизни центрове на Makita, като винаги трябва да използвате резервни части от Makita.

Почистяване на инструмента

Почистете инструмента, като избършете праха със суха кърпа или кърпа, напоена с вода и миещ препарат и изстискана.

БЕЛЕЖКА: Не използвайте бензин, нафта, разреждател, спирт и др. подобни. Това може да причини обезцветяване, деформация или пукнатини.

Поддръжка на остриетата на ножа

Преди да пристъпите към работа или веднъж на час по време на работа, нанесете нисковискозитетно масло (машинно масло или смазочно масло във вид на спрей) върху остриетата на ножа.

► Фиг.28

След работа отстранете праха от двете страни на остриетата на ножа с телена четка, забършете ги с кърпа и след това нанесете нисковискозитетно масло (машинно масло или смазочно масло във вид на спрей) върху остриетата на ножа.

► Фиг.29

БЕЛЕЖКА: Не мийте остриетата на ножа с вода. Това може да доведе до образуване на ръжда или повреждане на инструмента.

БЕЛЕЖКА: Замърсяванията и корозията предизвикват прекомерно триене на острието и скъсяват времето за работа с едно зареждане на батерията.

Съхранение

Поставете капака за острието така, че режещите остриета да не са открити. Съхранявайте инструмента извън обсега на деца. Съхранявайте инструмента на място, което не е изложено на влага или дъжд.

Когато съхранявате приставката отделно от задвижващия механизъм, поставете капачката на края на тръбата.

► Фиг.30

Смазване на движещите се части

БЕЛЕЖКА: Спазвайте инструкциите за честотата на гресиране и за количеството грес. В противен случай, недостатъчното смазване може да повреди движещите се части.

Задвижващ мост:

Добавяйте грес (грес Makita N No.2 или еквивалентна) на всеки 30 часа работа.

► Фиг.31

ЗАБЕЛЕЖКА: Оригинална грес на Makita можете да закупите от Вашия местен търговски представител на Makita.

Смазване със смазка

Интервал на смазване: На всеки 25 работни часа

1. Отстранете болта от отвора за смазване.

► Фиг.32: 1. Болт

2. Свалете капачката от съда със смазка.

Подравнете отвора на съда със смазка с този на капака, след което завъртете съда със смазка, за да закрепите изхода му към отвора.

► Фиг.33: 1. Съд със смазка 2. Отвор

3. Нанесете смазка към инструмента (Приблизително 3 г).

4. Отстранете съда със смазка.

5. Затегнете болта.

Заточване на остриетата на ножа

БЕЛЕЖКА: Ако остриетата на ножа са значително деформирани от заточването, сменете ги с нови.

1. Монтирайте акумулаторната батерия към инструмента.

2. Включете и стартирайте инструмента така, че горното и долното острие да се позиционират последователно.

► Фиг.34

3. Изключете инструмента и извадете акумулаторната батерия от инструмента.

4. Настройте ъгъла на пилата на 45° и с нея заточете горното острие от 3 посоки.

► Фиг.35: (1) Пила (2) 45°

⚠ ВНИМАНИЕ: Преди заточване на остриетата на ножа, винаги проверявайте дали инструментът е изключен и акумулаторната батерия е извадена от него.

5. Поставете инструмента с горната част надолу, след което отстранете стружките от остриетата на ножа с помощта на шлифовъчния камък за заточване.

► Фиг.36: 1. Шлифовъчен камък за заточване

6. Настройте ъгъла на пилата на 45° и с нея заточете долното острие от 3 посоки.

7. Върнете инструмента в нормално положение и отстранете стружките от остриетата на ножа с помощта на шлифовъчния камък за заточване.

ОТСТРАНЯВАНЕ НА НЕИЗПРАВНОСТИ

Преди да заявите ремонт, сами извършете проверка. Ако установите проблем, който не е обяснен в ръководството, не се опитвайте да разглобявате инструмента. Вместо това го занесете в някой от оторизираните сервиси на Makita, които винаги използват за ремонтите резервни части от Makita.

Състояние на неизправност	Възможно причина (неизправност)	Мерки за отстраняване
Двигателят не стартира.	–	Направете справка с ръководството за експлоатация на захранващия блок.
Двигателят спира бързо.	–	Направете справка с ръководството за експлоатация на захранващия блок.
Оборотите на двигателя не се увеличават.	–	Направете справка с ръководството за експлоатация на захранващия блок.
Режещите остриета не се движат: ⇒ спрете веднага машината!	Между режещите остриета са захванати чужди предмети.	Изключете инструмента и извадете акумулаторната батерия, след което отстранете чуждите предмети, като използвате например клещи.
	Задвижващата система не работи нормално.	Обърнете се към местния упълномощен сервис за извършване на ремонт.
Ненормални вибрации: ⇒ спрете веднага машината!	Режещите остриета са счупени, огънати или износени.	Сменете режещите остриета.
	Задвижващата система не работи нормално.	Обърнете се към местния упълномощен сервис за извършване на ремонт.
Режещите остриета и двигателят не могат да спрат: ⇒ Незабавно извадете акумулаторната батерия!	Електрическа неизправност.	Свалете акумулаторната батерията и се обърнете към местния упълномощен сервис за извършване на ремонт.

ДОПЪЛНИТЕЛНИ АКСЕСОАРИ

⚠ ВНИМАНИЕ: Препоръчва се използването на тези аксесоари или приспособления с Вашата машина Makita, описана в настоящото ръководство. Използването на други аксесоари или приспособления може да доведе до опасност от телесни наранявания. Използвайте съответните аксесоар или приспособление само по предназначение.

Ако имате нужда от помощ за повече подробности относно тези аксесоари, се обърнете към местния сервизен център на Makita.

- Блок на режещо острие
- Съд със смазка
- Оригинална акумулаторна батерия и зарядно устройство на Makita

ЗАБЕЛЕЖКА: Някои артикули от списъка може да са включени в комплекта на продукта като стандартни аксесоари. Те може да са различни в различните държави.

SPECIFIKACIJE

Model:	EN402MP
Dužina oštrice	500 mm
Ukupna dužina	1444 mm
Neto težina	2,4 kg

- Zahvaljujući našem stalnom programu razvoja i istraživanja, navedene specifikacije podložne su promjenama bez obavijesti.
- Specifikacije mogu biti različite ovisno o zemlji.

Odobrena jedinica napajanja

Ovaj priključak odobren je za uporabu isključivo sa sljedećim jedinicama napajanja:

- Bežičnom višefunkcijskom električnom glavom DUX60
- Bežičnom višefunkcijskom električnom glavom DUX18
- Bežičnom višefunkcijskom električnom glavom UX01G

⚠ UPOZORENJE: Uporaba priključka bez odobrene jedinice napajanja nije dopuštena. Kombinacija koja nije odobrena može uzrokovati ozbiljne ozljede.

Simboli

U nastavku su prikazani simboli koji se upotrebljavaju za opremu. Prije korištenja provjerite jeste li razumjeli njihovo značenje.



Pročitajte i pridržavajte se uputa iz priručnika s uputama.



OPASNOST – Ruke držite podalje od noža.



Pazite na električne vodove. Postoji opasnost od strujnog udara.



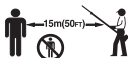
Nosite zaštitnu kacigu, naočale i štitnike za uši.



Nosite zaštitne rukavice.



Nosite robusne čizme s potplatima koji se ne klizu.



Slučajne prolaznike i životinje držite najmanje 15 m dalje od električnog alata.



Sve osobe i kućne ljubimce držite podalje od radnog područja.



Zajamčena razina jačine zvuka u skladu s Direktivom EU o emisiji buke u okoliš.



Razina jačine zvuka u skladu s Uredbom o kontroli buke u Australiji (Novi Južni Wales)

Namjena

Ovaj priključak namijenjen je samo rezanju živice u kombinaciji s odobrenom jedinicom napajanja. Zabranjena je uporaba priključka u bilo koje druge svrhe. U slučaju njegove zlouporabe moguće su ozbiljne ozljede.

Izjava o sukladnosti EZ

Samo za države članice Europske unije

Mi, kao proizvođači: **Makita Europe N.V.**, poslovna adresa: **Jan-Baptist Vinkstraat 2 3070 Kortenberg BELGIUM**. Ovlašćujemo **Hiroshi Tsujimura** za sastavljanje tehničke dokumentacije i s punom odgovornošću izjavljujemo da proizvodi s opisom:

Namjena: **Dodatak za trimer za živicu**. Oznaka tipa: **EN402MP**.

Ispunjava sve mjerodavne odredbe Direktive **2006/42/EZ** i mjerodavne odredbe sljedećih direktiva EZ-a/EU-a: **2000/14/EZ** te da su proizvedeni u skladu sa sljedećim usklađenim normama: **EN62841-1:2015, EN 62841-4-2:2019, EN ISO 11806-1:2011**.

Mjesto i datum izjave: **Kortenberg, Belgija. 20. 12. 2022**

Odgovorna osoba: **Hiroshi Tsujimura, direktor – Makita Europe N.V.**

SIGURNOSNA UPOZORENJA

Sigurnosne napomene za bežične štapne škare za živicu

- Sve dijelove kućišta držite dalje od oštrice. Ne uklanjajte odrezani materijal i ne držite materijal koji treba rezati dok se oštrice miču.** Oštrice se nastavljaju okretati i nakon isključivanja prekidača. Trenutak nepažnje dok rukujete škarama za živicu može dovesti do ozbiljnih tjelesnih ozljeda.
- Škare za živicu nosite držeći ih za ručku dok je oštrica zaustavljena i pritom pripazite da ne pritisnete bilo koji prekidač napajanja.** Ispravnim nošenjem škara za živicu smanjuje se mogućnost nehotičnog pokretanja oštrice i tjelesnih ozljeda od oštrica.
- Kada prenosite ili spremate škare za živicu uvijek stavite poklopac na oštricu.** Ispravnim rukovanjem škarama za živicu smanjuje se mogućnost tjelesnih ozljeda od oštrica.
- Pri uklanjanju zaglavljene materijala ili popravljanju uređaja provjerite jesu li svi prekidači napajanja isključeni te je li baterija uklonjena ili odspojena.** Neočekivano pokretanje škara za živicu pri uklanjanju zaglavljene materijala ili popravljanju može uzrokovati ozbiljne tjelesne ozljede.
- Škare za živicu držite isključivo za izolirane rukohvatne površine jer inače oštrica može doći u dodir sa skrivenim kabelima.** Oštrice koje dođu u doticaj sa žicom pod naponom mogu dovesti pod napon izložene metalne dijelove škara za živicu i rukovatelj može pretrpjeti strujni udar.
- Držite sve kabele za napajanje i kabele dalje od područja rezanja.** Kabeli za napajanje ili kabeli mogu biti skriveni u gmlju i oštrica ih može slučajno prerezati.
- Ne upotrebljavajte škare za živicu u lošim vremenskim uvjetima, osobito kada postoji opasnost od udara munje.** Time se smanjuje mogućnost udara munje.
- Kako bi se smanjila mogućnost strujnog udara, ne upotrebljavajte štapne škare za živicu u blizini električnih vodova.** Kontakt s električnim vodovima ili upotreba u blizini njih može uzrokovati ozbiljnu ozljedu ili strujni udar sa smrtnim ishodom.
- Prilikom rukovanja škarama za živicu uvijek upotrebljavajte obje ruke.** Držite štapne škare za živicu objema rukama kako ne biste izgubili kontrolu.
- Prilikom rukovanja štapnim škarama za živicu uvijek upotrebljavajte zaštitu za glavu.** Padajući ostaci mogu uzrokovati ozbiljne tjelesne ozljede.

Dodatne sigurnosne upute

Priprema

- OVE ŠKARE ZA ŽIVICU MOGU UZROKOVATI OZBILJNE OZLJEDE.** Pažljivo pročitajte upute o ispravnom rukovanju alatom, njegovoj pripremi, održavanju, pokretanju i zaustavljanju. Upoznajte se s kontrolama i saznajte kako pravilno upotrebljavati alat.
- Prije rukovanja alatom provjerite da u živici i gmlju nema stranih predmeta, kao što su žičane ograde ili skriveni kabeli.**
- Trimer za živicu ne smiju upotrebljavati djeca i osobe mlađe od 18 godina.** Mlade osobe iznad 16 godina starosti mogu biti izuzete od ovog ograničenja ako se osposobljavaju pod nadzorom stručnjaka.
- U hitnom slučaju odmah isključite alat i uklonite baterijski uložak.**
- OPASNOST - Ruke držite dalje od oštrice.** Kontakt s oštricom rezultirat će ozbiljnim tjelesnim ozljedama.
- Iskusni korisnik alata trebao bi pokazati osobama koji ga prvi put upotrebljavaju kako se njime rukuje.**
- Prije rada provjerite ima li na radnom području žičanih ograda, kamenja ili drugih čvrstih predmeta.** Oni mogu oštetiti noževe.
- Trimerom za živicu rukujte samo ako ste u dobrom fizičkom stanju.** Ako ste umorni, koncentracija će vam biti smanjena. Budite osobito oprezni krajem radnog dana. Sve radove obavljajte smireno i pažljivo. Korisnik snosi odgovornost za sve ozljede nanesene trećim stranama.
- Prije početka rada provjerite je li trimer u dobrom stanju sigurnom za rad.** Pazite da su štitnici propisno namješteni. Trimer za živicu ne smijete upotrebljavati ako nije u potpunosti sastavljen.
- Izbjegavajte rad u opasnom okruženju.** Alat nemojte koristiti na vlažnim ili mokrim mjestima niti ga izlagati kiši. Ulazak vode u alat može povećati rizik od strujnog udara.

Osobna zaštitna oprema

- Radne rukavice od grube kože** dio su osnovne opreme trimera za živicu i uvijek ih morate nositi dok rukujete trimerom. Također nosite čvrstu obuću s gumenim potplatom.
- Nosite zaštitu za uši** poput slušalica kako biste spriječili gubitak sluha.
- Nosite zaštitne naočale, sigurnosnu kacigu i rukavice da biste se zaštitili od letećih ostataka i padajućih predmeta.**
- Nosite zaštitne rukavice ako dodirujete noževe ili namještate kut noža.** Noževi mogu prouzročiti posjekotine na golim rukama.

Rad

- Prilikom rukovanja alatom uvijek upotrebljavajte obje ruke.** Rukovanje jednom rukom može uzrokovati gubitak kontrole i ozbiljne tjelesne ozljede.
- Pri rukovanju alatom uvijek provjerite je li radni položaj siguran.** Predaleko doseganje alatom, osobito sa ljestvi, iznimno je opasno. Ne radite stojeći na nečemu nesigurnom ili labavom.

3. Ne nosite istodobno više sigurnosnih pojaseva i/ili sigurnosnih uprtača pri rukovanju alatom.
 4. Tijekom rada držite promatrače ili životinje najmanje 15 m dalje od alata. Isključite alat čim se netko približi.
 5. Ako rezni alat udari o bilo koji predmet ili ako alat počne proizvoditi neobične zvukove ili vibracije, odmah ga isključite, izvadite baterijski uložak i pričekajte da se zaustavi. Potom poduzmite sljedeće korake:
 - pregledajte je li alat oštećen
 - provjerite ima li labavih dijelova i zategnite ih
 - sve oštećene dijelove zamijenite ili popravite originalnim rezervnim dijelovima.
 6. Alat upotrebljavajte samo u svrhu za koju je namijenjen. Upotreba alata u druge svrhe zabranjena je.
 7. Isključite alat i uklonite baterijski uložak prije sljedećeg:
 - čišćenja ili uklanjanja blokade
 - provjere, održavanja alata ili rada na njemu
 - prilagodbe radnog položaja oštrica škara
 - ostavljanja alata bez nadzora.
 8. Prije pokretanja alata provjerite je li u ispravnom položaju za rad.
 9. Ne rukujte alatom s oštećenim ili pretjerano istrošenim oštricama škara.
 10. Uvijek budite svjesni svog okruženja i pripazite na moguće opasnosti kojih možda niste svjesni zbog buke alata.
 11. Pazite da slučajno ne dodirnete metalnu ogradu ili neki drugi čvrsti predmet tijekom rada. Oštrica će se slomiti i može uzrokovati ozbiljnu ozljedu.
 12. Izbjegavajte nenamjerno pokretanje alata. Nemojte nositi alat s umetnutim baterijskim uloškom i s prstom na prekidaču. Provjerite je li prekidač isključen pri umetanju baterijskog uloška.
 13. Nemojte hvatati izložene rezne oštrice ili rezne rubove prilikom dizanja ili držanja kosilice.
 14. Nemojte primjenjivati silu na alat. On posao obavlja sigurnije i s manje opasnosti od ozljeđivanja pri brzini za koju je namijenjen.
 15. Alat ne upotrebljavajte kada pada kiša, ili u mokrim ili vrlo važnim uvjetima. Električni motor nije otporan na vodu.
 16. Prilikom upotrebe alat čvrsto držite.
 17. Ne ostavljajte alat da radi bez opterećenja ako to nije potrebno.
 18. Prije nego što pregledate oštrice škara, uklonite kvarove ili uklonite materijal koji je zapeo u oštricama škara uvijek isključite alat i izvadite baterijski uložak.
 19. Nemojte oštrice škara usmjeravati prema sebi ili drugima.
 20. Ako se listovi prestanu pomicati zbog stranih predmeta zaglavijenih između listova tijekom rada, isključite alat i uklonite baterijski uložak, a zatim uklonite strane predmete s pomoću klijesta ili sličnog pribora. Ručno uklanjanje stranih predmeta može prouzročiti ozljedu uslijed pomicanja listova prilikom uklanjanja stranih predmeta.
 21. Prilikom pričvršćivanja ili uklanjanja poklopcu oštrice, pazite da ne ozlijedite ruke.
- Električna sigurnost i sigurnost baterije**
1. Izbjegavajte opasno okruženje. Alat nemojte koristiti na vlažnim ili mokrim mjestima niti ga izlagati kiši. Ulazak vode u alat može povećati rizik od strujnog udara.
 2. Bateriju/e ne bacajte u vatru. Čelija bi mogla eksplodirati. Provjerite u lokalnim propisima postoje li posebne upute za odlaganje.
 3. Nemojte otvarati niti uništavati bateriju/e. Ispušteni elektrolit jest korozivan i može oštetiti oči ili kožu. Možete se otrovati ako ga progutate.
 4. Ne punite bateriju na kiši ili na mokrim mjestima.
 5. Ne punite bateriju na otvorenom.
 6. Ne rukujte punjačem, uključujući utikač punjača, i priključcima punjača mokrim rukama.
- Održavanje i skladištenje**
1. Nakon zaustavljanja alata radi servisiranja, pregleda ili skladištenja isključite alat i izvadite baterijski uložak te provjerite jesu li zaustavljeni svi pomični dijelovi. Ostavite alat da se ohladi prije pregledavanja, prilagodbi itd.
 2. Uvijek ostavite alat da se ohladi prije skladištenja.
 3. Kada ne upotrebljavate alat, prekrijte oštricu alata i spremite alat na zatvoreno, suho i zaključano mjesto izvan dosega djece.
 4. Pažljivo održavajte alat. Pazite da rezna oštrica ostane oštra i čista radi najboljih performansi i smanjenja mogućnosti ozljeda. Postupajte prema uputama za podmazivanje i zamjenu pribora. Održavajte drške suhima, čistima te bez ulja i masti.
 5. Provjerite oštećene dijelove. Prije daljnjeg korištenja alata, potrebno je pažljivo provjeriti sve oštećene dijelove kako biste se uvjerali da je moguće ispravno koristiti alat u njegovoj namijenjenoj funkciji. Provjerite jesu li pomični dijelovi poravnati i dobro povezani, ima li slomljenih dijelova i jesu li dobro postavljeni te svako drugo stanje koje bi moglo utjecati na rad stroja. Ovlašteni servisni centar treba ispravno popraviti ili zamijeniti štitičnik ili drugi oštećeni dio.
 6. Upotrebljavajte samo originalne rezervne dijelove.
 7. Prilikom premještanja alata na drugo mjesto, uključujući i tijekom rukovanja, uvijek uklonite baterijski uložak i stavite štitičnik oštrice na oštrice škara. Nikada ne nosite i ne prenosite alat dok su oštrice u pokretu. Nikada ne hvatajte oštrice rukama.
 8. Alat, a osobito oštrice škara, očistite nakon upotrebe i prije spremanja alata na dulje vrijeme. Oštrice škara malo nauljite i stavite štitičnik oštrice.
 9. Bateriju/e ne bacajte u vatru. Čelija može eksplodirati. Provjerite u lokalnim propisima postoje li posebne upute za odlaganje.
 10. Ne otvarajte niti uništavajte bateriju/e. Ispušteni elektrolit korozivan je i može oštetiti oči ili kožu. Može biti otrovan ako se proguta.

11. Ne punitite bateriju na kiši ili na mokrim mjestima.

ČUVAJTE OVE UPUTE.

▲ UPOZORENJE: NEMOJTE dozvoliti da udobnost ili znanje o proizvodu (stečeno stalnim korištenjem) zamijene strogo pridržavanje sigurnosnih propisa za određeni proizvod. ZLOUPORABA ili nepridržavanje sigurnosnih propisa navedenih u ovom priručniku s uputama mogu prouzročiti ozbiljne ozljede.

OPIS DIJELOVA

- **SI.1:** 1. Poklopac oštrice 2. Ručka za prilagodbu kuta 3. Poklopac 4. Oštrice škara 5. Klizna poluga 6. Prednja drška

MONTAŽA

▲ UPOZORENJE: Prije sastavljanja ili prilagodbe opreme isključite motor i izvadite baterijski uložak. U protivnom se stroj može nehotično pokrenuti i dovesti do ozljede.

▲ UPOZORENJE: Opremu prije sastavljanja ili prilagodbe uvijek odložite na tlo. Sastavljanje ili prilagodba opreme u uspravnom položaju može prouzročiti ozbiljne ozljede.

▲ UPOZORENJE: Pridržavajte se upozorenja i mjera opreza iz poglavlja „SIGURNOSNA UPOZORENJA” i priručnika s uputama za jedinicu napajanja.

Sastavljanje priključka

1. Uklonite poklopac s priključka.
► **SI.2:** 1. Poklopac
2. Umetnite cijev u priključak tako da otvor na cijevi bude poravnat s otvorom na priključku. Prvo čvrsto zategnite kratki svornjak, a zatim zategnite dugi svornjak kako biste fiksirali cijev.
► **SI.3:** 1. Otvor 2. Cijev 3. Svornjak (kratki) 4. Svornjak (dugi)

NAPOMENA: Prilikom zatezanja svornjaka primijenite moment pritezanja od 4,0 – 6,0 N•m.

Montaža cijevi nastavka

▲ OPREZ: Nakon instaliranja uvijek provjerite je li priključna cijev dobro pričvršćena. Neispravna instalacija može dovesti do odvajanja priključka od jedinice napajanja i prouzročiti ozljede.

Montirajte cijev nastavka na jedinicu napajanja.

1. Uklonite poklopac s kraja cijevi.
► **SI.4:** 1. Cijev 2. Poklopac

NAPOMENA: Nemojte bacati poklopac jer je poklopac je potreban za pohranjivanje priključka.

2. Okrenite ručicu prema priključku.
► **SI.5:** 1. Ručica
3. Poravnajte zatik s oznakom strelice na jedinici napajanja. Umetnite cijev dok ne iskoči gumb za otpuštanje. Provjerite nalazi li se pozicijska linija na vrhu oznake strelice na jedinici napajanja te jesu li oznaka strelice na jedinici napajanja i oznaka strelice na cijevi okrenute jedna prema drugoj.
► **SI.6:** 1. Gumb za otpuštanje 2. Oznaka strelice na jedinici napajanja 3. Zatik 4. Pozicijska linija 5. Oznaka strelice na cijevi

4. Okrenite ručicu prema jedinici napajanja.
► **SI.7:** 1. Ručica

Pripazite da je površina ručice paralelna s cijevi.

NAPOMENA: Nemojte zatezati ručicu ako priključna cijev nije umetnuta. U protivnom ručica može previše zategnuti otvor na pogonskom vratilu i oštetiti ga.

Kako biste uklonili cijev, okrenite ručicu prema priključku i izvucite cijev dok pritišćete gumb za otpuštanje.

- **SI.8:** 1. Gumb za otpuštanje 2. Ručica 3. Cijev

Montiranje ili uklanjanje oštrica škara

▲ OPREZ: Kada mijenjate oštrice škara, uvijek nosite rukavice tako da ruke nisu izravno izložene oštricama.

▲ OPREZ: Postavite štitnik oštrice prije uklanjanja ili postavljanja oštrica škara.

NAPOMENA: Pri zamjenjivanju oštrica škara nemojte brisati mazivo s vratila.

NAPOMENA: Prije postavljanja ili uklanjanja oštrica škara, otkopite priključak tako da priključak bude poravnat s cijevi.

1. Pričvrstite poklopac oštrice na oštrice škara.
► **SI.9:** 1. Poklopac oštrice
2. Postavite priključak naopako.
3. Uklonite 4 svornjaka imbus ključem i uklonite poklopac i ploču (velika).
► **SI.10:** 1. Vijak 2. Poklopac 3. Ploča (velika)
4. Okrenite vratilo pomoću ravnog odvijača tako da vratilo bude postavljeno u smjeru prikazanom na slici.
► **SI.11:** 1. Vratilo
5. Uklonite 2 svornjaka.
► **SI.12:** 1. Vijak
6. Uklonite podložak od filca (kratki), podložak od filca (dugi), ploču (mala) i rukavce.
► **SI.13:** 1. Podložak od filca (kratki) 2. Podložak od filca (dugi) 3. Ploča (mala) 4. Rukavac
7. Uklonite oštrice škara iz priključka.
► **SI.14**

8. Uklonite štitičnik oštrice, a zatim ga pričvrstite na nove oštrice škara.

9. Uklonite štitičnik protiv prašine iz oštrica škara, a zatim pričvrstite u položaj prikazan na slici na novim oštricama škara.

► **SI.15:** 1. Štitičnik protiv prašine

10. Kroz otvor na poklopcu noža umetnite svornjak uklonjen u 5. koraku u otvor na poklopcu oštrice.

► **SI.16:** 1. Otvor 2. Vijak

11. Stavite malo masti oko ruba vratila. Pričvrstite oštrice škara na priključak.

► **SI.17**

12. Pričvrstite rukavce, ploču (mala) na oštrice škara, a zatim zategnite svornjak.

► **SI.18:** 1. Vijak 2. Ploča (mala) 3. Rukavac

13. Uklonite svornjak umetnut u otvor na oštricama škara u 10. koraku, a zatim zategnite kako biste fiksirali oštrice škara.

14. Pričvrstite podložak od filca (kratki) i podložak od filca (dugi).

► **SI.19:** 1. Podložak od filca (kratki) 2. Podložak od filca (dugi)

15. Pričvrstite ploču (velika) i poklopac, a zatim zategnite 4 svornjaka.

► **SI.20:** 1. Vijak 2. Poklopac 3. Ploča (velika)

NAPOMENA: Ako oštrice škara ne rade ispravno, oštrice ne zahvaćaju vratilo pravilno. Uklonite oštrice i ponovno ih postavite.

NAPOMENA: Ako su istrošeni drugi dijelovi, primjerice vratila, zatražite zamjenu dijelova ili popravak u ovlaštenim servisnim centrima tvrtke Makita.

FUNKCIONALNI OPIS

▲ **OPREZ:** Prije podešavanja ili provjere rada alata obavezno provjerite je li stroj isključen i baterija uklonjena.

Prilagođavanje kuta rezanja

▲ **OPREZ:** Uvijek provjerite je li alat isključen prije prilagodbe kuta rezanja.

Kut glave možete prilagoditi u 13 koraka. Kako biste promijenili kut glave, slijedite korake u nastavku.

1. Držite ručku za prilagodbu kuta, a zatim prilagodite kut glave dok povlačite kliznu polugu, a zatim otpustite kliznu polugu.

► **SI.21:** 1. Klizna poluga 2. Ručka za prilagodbu kuta

2. Pomaknite glavu lagano dok ne sjedne na mjesto s klikom.

NAPOMENA: Provjerite je li glava dobro učvršćena prije rukovanja alata.

RAD

▲ **UPOZORENJE:** Pridržavajte se upozorenja i mjera opreza iz poglavlja „SIGURNOSNA UPOZORENJA” i priručnika s uputama za jedinicu napajanja.

Rukovanje alatom

▲ **UPOZORENJE:** Ne upotrebljavajte alat u blizini električnih vodova. Kontakt s električnim vodovima ili upotreba u blizini njih može uzrokovati ozbiljne ozljede ili strujni udar sa smrtnim ishodom.

▲ **UPOZORENJE:** Ruke držite dalje od oštrica škara.

▲ **UPOZORENJE:** Budite iznimno oprezni kako biste uvijek održavali kontrolu nad alatom. Ne dopustite odbijanje alata prema vama ili nekome u blizini rada. Ako izgubite kontrolu nad alatom, može doći do teških tjelesnih ozljeda promatrača ili rukovatelja.

▲ **OPREZ:** Izbjegavajte rukovanje alatom na visokim temperaturama koliko god je moguće. Kada rukujete alatom pazite na svoje fizičko stanje.

▲ **OPREZ:** Pazite da slučajno ne dodirnete metalnu ogradu ili neki drugi čvrsti predmet tijekom rezanja. Oštrice škara mogu se slomiti i prouzročiti ozbiljnu ozljedu.

▲ **OPREZ:** Nemojte dopustiti da oštrice škara dodiruju tlo. Alat može odskočiti i prouzročiti ozljede.

▲ **OPREZ:** Predaleko doseganje trimenom za živicu, osobito sa ljestvi, iznimno je opasno. Nemojte raditi stojeći na nesigurnoj ili mekanj podlozi.

NAPOMENA: Ne pokušavajte rezati grane deblje od 10 mm ovim alatom. Odrežite grane do 10 cm ispod visine rezanja s pomoću rezača za grane prije upotrebe alata.

► **SI.22:** (1) Visina rezanja (2) 10 cm

NAPOMENA: Ne režite mrtva stabla ili slične čvrste objekte. U protivnom možete oštetiti alat.

NAPOMENA: Ne režite travu ili korov kada koristite oštrice škara. Oštrice škara mogu zapeti u travu ili korovu.

Alat držite objema rukama držeći prednju ručku jedinice napajanja ili prednju dršku priključka i stražnju dršku jedinice napajanja.

► **SI.23:** 1. Prednja ručka 2. Stražnja drška

Povucite uključno/isključnu sklopku i istodobno pritisnite polugu za deblokadu, a zatim pomaknite alat prema naprijed.

► **SI.24**

Za osnovni rad nagnite oštrice škara u smjeru rezanja i pomaknite ga lagano i blago brzinom od 3 do 4 sekundi po metru.

► **SI.25**

Da biste živicu ravnomjerno rezali sa strane, režite odozdo prema gore.

► **SI.26**

Kada režete kako biste dobili okrugao oblik (rezanje šimširovine ili rododendrona i sl.), režite od korijena prema vrhu da biste postigli lijep izgled.

► **SI.27**

ODRŽAVANJE

▲ UPOZORENJE: Prije pregleda ili održavanja opreme isključite motor i izvadite baterijski uložak. U protivnom se stroj može nehotično pokrenuti i dovesti do teške ozljede.

▲ UPOZORENJE: Opremu prije pregleda ili održavanja uvijek odložite opremu na tlo. Sastavljanje ili prilagodba opreme u uspravnom položaju može prouzročiti ozbiljne ozljede.

▲ UPOZORENJE: Pridržavajte se upozorenja i mjera opreza iz poglavlja „SIGURNOSNA UPOZORENJA” i priručnika s uputama za jedinicu napajanja.

▲ OPREZ: Nosite rukavice tijekom pregleda ili održavanja.

NAPOMENA: Nikada nemojte koristiti benzin, mješavinu benzina, razrjeđivač, alkohol ili slično. Kao rezultat toga može se izgubiti boja, pojaviti deformacija ili pukotine.

Da biste zadržali SIGURNOST I POUZDANOST proizvoda, održavanje ili namještanja trebali biste prepustiti ovlaštenim servisnim ili tvorničkim centrima tvrtke Makita; uvijek rabite originalne rezervne dijelove.

Čišćenje alata

Očistite alat brisanjem prašine suhom krpom ili krpom namočenom u sapunicu a zatim iscijedenom.

NAPOMENA: Nikada nemojte koristiti benzin, mješavinu benzina, razrjeđivač, alkohol ili slično. Kao rezultat toga može se izgubiti boja, pojaviti deformacija ili pukotine.

Održavanje škara za rezanje

Prije rada ili jednom po satu tijekom rada, stavite ulje niske viskoznosti (motorno ulje ili nanesite ulje za podmazivanje iz spreja) na oštrice škara.

► **SI.28**

Nakon rada očistite prašinu s obje strane oštrica škara žičanom četkom, obrišite ih krpom i zatim nanesite dovoljno ulja niske viskoznosti (motorno ulje ili nanesite ulje za podmazivanje iz spreja) na oštrice škara.

► **SI.29**

NAPOMENA: Oštrice škara ne perite u vodi. U protivnom alat može zahrdati ili se oštetiti.

NAPOMENA: Prljavština i korozija uzrokuju pretjerano trenje oštrice i skraćuju vrijeme rada po punjenju baterije.

Skладиštenje

Štitnik oštrice pričvrstite na oštrice škara tako da oštrice nisu izložene. Pohranite alat tako da ne bude dostupan djeci. Alat spremite na mjesto koje nije izloženo vlazi ili kiši. Prilikom skladištenja priključka odvojeno od jedinice napajanja stavite poklopac na kraj cijevi.

► **SI.30**

Podmazivanje pomičnih dijelova

NAPOMENA: Slijedite isporučene upute o učestalosti podmazivanja i potrebnoj količini maziva. Nedovoljno podmazivanje može oštetiti pokretne dijelove.

Pogonsko vratilo:

Nanesite mazivo (mazivo Makita N No.2 ili jednakovrijedno) nakon svakih 30 radnih sati.

► **SI.31**

NAPOMENA: Originalno mazivo tvrtke Makita možete kupiti kod svog trgovca tvrtke Makita.

Podmazivanje

Interval podmazivanja: Svakih 25 radnih sati

1. Izvadite vijak iz otvora za podmazivanje.
► **SI.32:** 1. Vijak
2. Uklonite poklopac s posude za mazivo. Poravnajte izlaz posude za mazivo s otvorom na poklopcu, a zatim okrenite posudu za mazivo da biste pričvrstili izlaz posude za mazivo u otvor.
► **SI.33:** 1. Posuda za mazivo 2. Otvor
3. Nanesite mazivo na alat (pribl. 3 g okvirno).
4. Uklonite posudu za mazivo.
5. Zategnite vijak.

Brušenje oštrica škara

NAPOMENA: Ako su se oštrice škara značajno iskrivile brušenjem, zamijenite ih novima.

1. Umetnite baterijski uložak u alat.
2. Uključite i pokrenite alat tako da se gornja i donja oštrica izmjenjuju.
► **SI.34**
3. Isključite alat i uklonite baterijski uložak iz alata.
4. Postavite kut brusa na 45°, a zatim brusite gornju oštricu iz 3 smjera koristeći brus.
► **SI.35:** (1) Brus (2) 45°

▲ OPREZ: Prije brušenja oštrica škara obavezno provjerite jeste li isključili alat i uklonili baterijski uložak.

5. Postavite alat naopako, a zatim brusnim kamenom uklonite strugotine s oštrica škara.
► **SI.36:** 1. Brusni kamen
6. Postavite kut brusa na 45°, a zatim brusite donju oštricu iz 3 smjera koristeći brus.
7. Postavite alat u normalan položaj, a zatim brusnim kamenom uklonite strugotine s oštrica škara.

RJEŠAVANJE PROBLEMA

Prije nego zatražite popravak, sami pregledajte stroj. Ako pronađete problem za koji ne postoji objašnjenje u uputama, nemojte pokušavati rastaviti alat. Umjesto toga obratite se ovlaštenom servisnom centru tvrtke Makita koji za popravke uvijek koristi zamjenske dijelove tvrtke Makita.

Stanje nepravilnosti	Mogući uzroci (kvar)	Otklanjanje problema
Motor se ne može pokrenuti.	-	Pogledajte priručnik s uputama za jedinicu napajanja.
Motor se ubrzo zaustavlja.	-	Pogledajte priručnik s uputama za jedinicu napajanja.
Brzina se motora ne povećava.	-	Pogledajte priručnik s uputama za jedinicu napajanja.
Oštrice škara ne pomiču se: ⇒ odmah zaustavite stroj!	Strani objekti zapeli su između oštrica škara.	Isključite alat i uklonite baterijski uložak, a zatim uklonite strane predmete s pomoću kliješta ili sličnog pribora.
	Pogonski sustav ne radi pravilno.	Za popravak se obratite lokalnom ovlaštenom servisu.
Neuobičajene vibracije: ⇒ odmah zaustavite stroj!	Oštrice škara su polomljene, iskrivljene ili istrošene.	Zamijenite oštrice škara.
	Pogonski sustav ne radi pravilno.	Za popravak se obratite lokalnom ovlaštenom servisu.
Oštrice škara i motor ne zaustavljaju se: ⇒ Odmah izvadite bateriju!	Električni kvar.	Izvadite bateriju i obratite se ovlaštenom lokalnom servisu radi popravka.

DODATNI PRIBOR

⚠ OPREZ: Ovaj dodatni pribor i dodaci preporučuju se za upotrebu s proizvodom tvrtke Makita navedenim u ovom priručniku. Upotreba bilo kojeg drugog dodatnog pribora ili dodataka može prouzročiti ozljede. Upotrebjavajte dodatni pribor ili dodatak samo za njegovu navedenu svrhu.

Ako vam je potrebna pomoć za više detalja u pogledu ovih dodatnih pribora, obratite se najbližem Makita servisnom centru.

- Sklop oštrice škara
- Posuda za mazivo
- Originalna baterija i punjač Makita

NAPOMENA: Neke stavke s popisa mogu se isporučiti zajedno s proizvodom kao standardni dodatni pribor. One mogu biti različite ovisno o zemlji.

СПЕЦИФИКАЦИИ

Модел:	EN402MP
Должина на сечилото	500 мм
Вкупна должина	1444 мм
Нето тежина	2,4 кг

- Поради нашата континуирана програма за истражување и развој, спецификациите тука подлежат на промена без најава.
- Спецификациите може да се разликуваат од држава до држава.

Одобрен уред за напојување

Овој додаток е одобрен само за употреба со следниве уреди за напојување:

- DUX60 Безжична повеќефункционална глава за напојување
- DUX18 Безжична повеќефункционална глава за напојување
- UX01G Безжична повеќефункционална глава за напојување

▲ ПРЕДУПРЕДУВАЊЕ: Никогаш не користете го додатокот со неodobрен уред за напојување. Неodobрената комбинација може да предизвика сериозна повреда.

Симболи

Долунаведените ги прикажуваат симболите што може да се користат кај опремата. Пред употребата, проверете дали го разбирате нивното значење.



Прочитајте го и следете го прирачникот со упатства.



ОПАСНОСТ - држете ги рацете подалеку од сечилото.



Пазете се од електрични кабли. Ризик од струен удар.



Носете заштитен шлем, заштитни очила и заштита за уши.



Носете заштитни ракавици.



Носете цврсти чизми со ѓонови што не се лизгаат.



Лицата во близина и животните нека бидат на најмалку 15 м од електричниот алат.



На местото каде што работите не треба да има други лица и миленици.



Гарантирано ниво на јачина на звукот во согласност со Директивата на ЕУ за бучава на отворено.



Ниво на јачина на звукот во согласност со Регулативата за контрола на бучава во Австралија, Нов Јужен Велс

Наменета употреба

Овој додаток е предвиден само за поткастрување живи огради, заедно со одобрен уред за напојување. Никогаш не користете го додатокот за други намени. Со неправилна употреба на додатокот може да предизвикате сериозна повреда.

Декларација за сообразност од ЕУ

Само за земјите во Европа

Ние како производители: **Makita Europe N.V.**, деловна адреса: **Jan-Baptist Vinkstraat 2 3070 Kortenberg BELGIUM**, го овластуваме **Hiroshi Tsujimura** за составување на техничкиот документ и со наша целосна лична одговорност изјавуваме дека производите;

Ознака: **Додаток за поткастрување жива ограда**. Ознака на типот(овите): **EN402MP**.

Ги исполнува сите релевантни одредби од **2006/42/ЕС** и исто така ги исполнува сите релевантни одредби од следниве Директиви на ЕЗ/ЕУ: **2000/14/ЕС** и се произведени во согласност со следниве хармонизирани стандарди: **EN62841-1:2015, EN 62841-4-2:2019, EN ISO 11806-1:2011**.

Место и датум на изјавата: **Контенберг, Белгија. 20. 12. 2022**

Одговорно лице: **Hiroshi Tsujimura**, директор - **Makita Europe N.V.**

БЕЗБЕДНОСНИ ПРЕДУПРЕДУВАЊА

Безбедносни предупредувања за безжичната фреза за жива ограда со продолжеток

1. Држете ги сите делови од телото настрана од сечилото. Не отстранувајте го пресечениот материјал и не држете го материјалот што треба да се сече кога сечилата се во движење. Сечилата продолжуваат да се вртат откако ќе го исклучите прекинувачот. Момент на невнимание при работата со тримерот за жива ограда може да резултира со тешка телесна повреда.
2. Носете го тримерот за жива ограда држејќи ја за рачката со блокирано сечило и внимавајќи да не ракувате со прекинувач за напојување. Правилното носење на тримерот за жива ограда ќе го намали ризикот од ненамерно стартување и последична телесна повреда од сечилата.
3. Кога го транспортирате или складирате тримерот за жива ограда, секогаш поставувајте го капакот на сечилото. Правилното ракување со тримерот за жива ограда ќе го намали ризикот од телесна повреда од сечилата.
4. При чистење на заглавен материјал или сервисирање на уредот, проверете дали сите прекинувачи за напојување се исклучени и батеријата е отстранета или исклучена. Неочекуваното активирање на тримерот за жива ограда при чистење на заглавен материјал или сервисирање може да резултира во сериозна телесна повреда.
5. Држете го тримерот за жива ограда само за изолираните држачи затоа што сечилото може да дојде во допир со скриени жици. Сечилото што ќе допре жица под напон може да ја пренесе струјата до металните делови на тримерот за жива ограда и да предизвика струен удар на операторот.
6. Држете ги сите жици и кабли подалеку од областа на сечење. Жиците и каблите за напојување може да бидат сокриени во жива ограда или грмушки и може случајно да се пресечат со сечилото.
7. Не користете го тримерот за жива ограда при лоши временски услови, особено кога има ризик од грмотевици. Со тоа се намалува ризикот од удар на гром.
8. За да го намалите ризикот од електричен удар, не користете го тримерот за жива ограда во близина на какви било електрични водови. Контакт со или користење во близина на жици може да предизвика сериозна повреда или електричен шок кој може да резултира со смрт.

9. Секогаш користете ги двете раце кога работите со тримерот за жива ограда. Држете го тримерот за жива ограда со двете раце за да избегнете губење контрола.
10. Секогаш користете заштита за главата кога работите со тримерот за жива ограда над главата. Паѓањето на остатоци може да резултира со сериозна телесна повреда.

Дополнителни безбедносни упатства

Подготовка

1. ОВОЈ ТРИМЕР ЗА ЖИВА ОГРАДА МОЖЕ ДА ПРЕДИЗВИКА СЕРИОЗНИ ПОВРЕДИ. Прочитајте ги упатствата внимателно за правилно ракување, подготовка, одржување, стартување и стопирање на алатот. Запознајте се со сите контроли и со правилната употреба на алатот.
2. Проверете дали има туѓи предмети во живата ограда и грмушките, како на пример, жичени огради или сокриени кабли, пред да започнете со работата.
3. Фрезата за жива ограда не смеат да ја користат деца или млади лица под 18-годишна возраст. Младите лица над 16-годишна возраст може да бидат исклучени од ова ограничување кога се обучуваат под надзор на стручно лице.
4. Во итен случај, веднаш исклучете го алатот и веднаш отстранете ја касетата за батерија.
5. ОПАСНОСТ - Држете ги рацете настрана од сечилото. Контактот со сечилото ќе резултира со сериозна телесна повреда.
6. Корисниците-почетници треба да бидат обучени од искусен корисник кој треба да им покаже како се користи алатот.
7. Пред работењето, испитајте дали во работната област има жичени огради, камења или други тврди предмети. Тие може да ги оштетат ножевите.
8. Ракувајте со фрезата за жива ограда само ако сте во добра физичка состојба. Ако сте уморни, вашето внимание ќе биде намалено. Бидете особено внимателни на крајот од работниот ден. Сите работи изведувајте ги смилено и внимателно. Корисникот е одговорен за сите штети нанесени на трети страни.
9. Пред да започнете со работа, проверете и осигурете се дека фрезата е безбедна и е во добра работна состојба. Осигурете се дека штитниците се правилно поставени. Фрезата за жива ограда не смее да се користи освен ако не е целосно составена.
10. Избегнувајте опасни средини. Не користете го алатот на влажни места и не изложувајте го на дожд. Ако навлезе вода во алатот, тоа може да го зголеми ризикот од струен удар.

Лична заштитна опрема

1. Работните кожни ракавици се дел од основната опрема на фрезата за жива ограда и мора да се носат кога се работи со неа. Исто така, носете обувки со дебели ѓон што не се лизгаат.

2. Носете заштита за уши, како на пример тампони за уши, за да спречите загуба на слухот.
3. Носете заштитни очила, безбедносен шлем и заштитни ракавици за да се заштитите од разлетан отпад или предмети што паѓаат.
4. При допирање на ножевите или нагодување на аголот на ножевите, носете заштитни ракавици. Ножевите може да нанесат сериозни исеченици на голите раце.
12. Избегнувајте ненамерно стартување. Не го носете алатот кога касетата за батерија е монтирана и со прст на прекинувачот. Осигурајте се дека прекинувачот е исклучен кога ја монтирате касетата за батерија.
13. Не фаќајте ги изложените сечила или рабови за сечење кога го крврате или држите алатот.

Работење

1. Секогаш користете ги двете раце за да работите со алатот. Користењето на една рака може да предизвика губење контрола и да резултира со сериозна телесна повреда.
2. Додека работите со алатот, секогаш осигурајте се дека работната позиција е безбедна и сигурна. Пресегнувањето со алатот, особено од скала, е многу опасно. Не работете качени на структура што се ниша или не е стабилна.
3. Немојте истовремено да носите повеќе ремени за појас и/или ремени за рамо кога работите со алатот.
4. При работењето, држете ги луѓето и животните што се наоѓаат во близина на растојание од најмалку 15 м од алатот. Исклучете го алатот веднаш штом некој се приближи.
5. Ако алатот за сечење удри во било каков предмет или ако алатот започне да прави невообичаен звук или вибрација, исклучете го алатот и веднаш извадете ја касетата за батерија и оставете го алатот да застане. А потоа преземете ги следниве чекори:
 - Проверете дали има оштетувања
 - проверете ги и прицврстете ги сите олабавени делови
 - заменете ги или поправете ги сите оштетени делови со оригинални резервни делови.
6. Користете го алатот само за неговата предвидена намена. Не користете го алатот за никаква друга цел.
7. Исклучете го алатот и извадете ја касетата за батерија пред:
 - чистење или кога чистите заглавени остатоци,
 - проверка, одржување или работење со алатот,
 - прилагодување на работната позиција на сечилата за стрижење,
 - да го оставите алатот без надзор.
8. Осигурајте се дека алатот е правилно поставен во предвидената работна позиција пред да го стартувате алатот.
9. Не работете со алат со оштетени или значително изабени сечила за стрижење.
10. Секогаш бидете свесни за вашата околина и бидете внимателни за можните опасности за кои можеби не сте биле свесни поради бучавата на алатот.
11. Внимавајте случајно да не допрете метална ограда или други тврди предмети за време на работењето. Сечилото ќе се скрши и може да предизвика тешка повреда.
14. Не форсирајте го алатот. Работата ќе биде подобро завршена и со помал ризик од повреда работејќи со темпо за кое е наменета.
15. Не користете го алатот на дожд или во влажни и мокри услови. Електромоторот не е водоотпорен.
16. Држете го алатот цврсто кога го користите.
17. Не работете со алатот без оптоварување кога тоа не е неопходно.
18. Секогаш пред да ги проверите сечилата за стрижење, да поправете дефекти или да отстраните материјали заглавени во сечилата за стрижење, исклучувајте го алатот и вадете ја касетата за батерија.
19. Никогаш не насочувајте ги сечилата за стрижење кон себе или кон другите.
20. Доколку сечилата престанат да се движат поради заглавувањето туѓи предмети помеѓу нив за време на работата, исклучете го алатот и отстранете ја касетата за батерија, а потоа отстранете ги туѓите предмети користејќи алати како клешта. Отстранувањето на туѓите предмети со раце може да предизвика повреда од причина што сечилата може да се поместат како реакција на отстранување на туѓите предмети.
21. Кога го прикачувате или вадите капакот за сечилата, внимавајте да не си ги повредите дланките.

Безбедност на електричните делови и батеријата

1. Избегнувајте опасно опкружување. Не користете го алатот на влажни места и не изложувајте го на дожд. Ако навлеге вода во алатот, тоа може да го зголеми ризикот од струен удар.
2. Не фрлајте ги батериите во оган. Келијата може да експлодира. Проверете ги локалните прописи за можни упатства за специјален отпад.
3. Не отворајте ги и не уништувајте ги батериите. Електролитот што се ослободува е корозивен и може да предизвика оштетување на очите или кожата. Може да е токсичен ако се голтне.
4. Не полнете ја батеријата на дожд или на влажни места.
5. Не полнете ја батеријата надвор.
6. Не држете го полначот, вклучувајќи го и приклучокот за полначот и терминалот на полначот со влажни раце.

Одржување и чување

1. Кога алатот е стопиран за сервисирање, проверка или складирање, исклучете го алатот и извадете ја касетата за батерија и осигурајте се дека сите движечки делови се застанати. Дозволете алатот да се излади пред да правите каква било проверка, прилагодување и тн.

2. Секогаш оставајте ја косилката да се излади пред да ја складирате.
3. Кога не се користи, поставете го капакот за сечилото на алатот и складирајте го алатот во затворена просторија, на суво и високо или заклучено место, подалеку од дофат на деца.
4. Одржувајте го алатот грижливо. Чувајте го работ за сечење остар и чист за најдобри перформанси и да го намалите ризикот од повреда. Следете ги упатствата за подмачкување и замена на додаточите. Дршките нека бидат суви, чисти и без масло и маснотии.
5. Проверете дали има оштетени делови. Пред натамошно користење на алатот, секој дел што е оштетен треба внимателно да се провери за да се утврди дека ќе работи исправно и ќе ја изведува функцијата за која е наменет. Проверете го порамнувањето на подвижните делови, спојот на подвижните делови, скршени делови, монтажа и сите други состојби што може да влијаат врз работата. Штитникот или друг дел што е оштетен треба соодветно да се поправи или замени од страна на ваш овластен сервисен центар.
6. Користете само оригинални делови.
7. Кога го преместувате алатот на друго место, вклучувајќи и за време на работата, секогаш вадете ја касетата за батерија и поставувајте го капакот за сечилото на сечилата. Никогаш не носете го и не транспортирајте го алатот додека сечилата се во движење. Никогаш не фаќајте ги сечилата со вашите раце.
8. Чистете го алатот и особено сечилата за стрижење по употребата и пред складирање на алатот за подолги периоди. Подмачкајте ги малку сечилата за стрижење и поставете го капакот.
9. Не фрлајте ги батериите во оган. Келијата може да експлодира. Проверете ги локалните прописи за можни упатства за специјален отпад.
10. Не отворајте ги и не уништувајте ги батериите. Електролитот што се ослободува е корозивен и може да предизвика оштетување на очите или кожата. Може да е токсичен ако се голтне.
11. Не полнете ја батеријата на дожд или на влажни места.

ЧУВАЈТЕ ГО УПАТСТВОТО.

▲ ПРЕДУПРЕДУВАЊЕ: НЕ ДОЗВОЛУВАЈТЕ удобност или познавањето на производот (стекнати со подолга употреба) да ве наведат да не се придржувате строго до безбедносните правила за овој производ. ЗЛОУПОТРЕБАТА или непочитувањето на безбедносните правила наведени во ова упатство може да предизвикаат тешка телесна повреда.

ОПИС НА ДЕЛОВИТЕ

- **Сл.1:** 1. Капак на сечилото 2. Рачка за нагудување на аголот 3. Капаче 4. Сечила за стрижење 5. Лизгачки лост 6. Предна дршка

СОСТАВУВАЊЕ

▲ ПРЕДУПРЕДУВАЊЕ: Пред да ја склопувате или нагудувате опремата, исклучете го моторот и извадете ја касетата за батеријата. Во спротивно, машината може да се активира ненадејно и тоа да резултира со повреда.

▲ ПРЕДУПРЕДУВАЊЕ: Кога ќе ја склопувате или нагудувате опремата, секогаш спуштете ја долу. Склопувањето или нагудувањето на опремата во исправена положба може да резултира со сериозна повреда.

▲ ПРЕДУПРЕДУВАЊЕ: Следете ги предупредувањата и мерките на претпазливост во поглавјето „БЕЗБЕДНОСНИ ПРЕДУПРЕДУВАЊА“ и упатството за користење на уредот за напојување.

Склопување на додатокот

1. Извадете го капакот од додатокот.
- **Сл.2:** 1. Капак
2. Вметнете ја цевката во додатокот така што отворот на цевката да биде порамнет со отворот на додатокот. Прво, безбедно затегнете ја кратката завртка, па потоа затегнете ја долгата завртка за да ја фиксирате цевката.
- **Сл.3:** 1. Отвор 2. Цевка 3. Завртка (кратка) 4. Завртка (долга)

НАПОМЕНА: При затегнување на завртките, применете 4,0 - 6,0 N•m како вртежен момент на затегнување.

Монтирање на приклучната цевка

▲ ВНИМАНИЕ: По монтирањето, секогаш проверувајте дали приклучната цевка е прицврстена. Несоодветното монтирање може да предизвика додатокот да падне од уредот за напојување и да предизвика лична повреда.

Монтирајте ја приклучната цевка на уредот за напојување.

1. Отстранете го капачето од крајот на цевката.
- **Сл.4:** 1. Цевка 2. Капаче

ЗАБЕЛЕШКА: Не фрлајте го капачето бидејќи е потребно за складирање на додатокот.

2. Свртете го лостот кон додатокот.
- **Сл.5:** 1. Лост

3. Порамнете ја иглата со ознаката за стрелка на уредот за напојување. Вметнете ја цевката додека не се појави копчето за отпуштање.

Осигурете се дека линијата за положба е на врвот од ознаката за стрелка на уредот за напојување, а ознаките за стрелка на уредот за напојување и на цевката се насочени една кон друга.

► **Сл.6:** 1. Копче за отпуштање 2. Ознака за стрелка на уредот за напојување 3. Чепче 4. Линија за положба 5. Ознака за стрелка на цевката

4. Свртете го лостот кон уредот за напојување.

► **Сл.7:** 1. Лост

Осигурете се дека површината на лостот е паралелна во однос на цевката.

ЗАБЕЛЕШКА: Не стегајте го лостот без да биде вметната приклучната цевка. Инаку, лостот може да го престегне и да го оштети влезниот отвор на погонската оска.

За да ја отстраните цевката, свртете го лостот во насока на додатокот и извлечете ја цевката додека го притискате копчето за отпуштање.

► **Сл.8:** 1. Копче за отпуштање 2. Лост 3. Цевка

Монтирање или вадење на сечилата за стрижење

⚠ВАЖНО: Кога ги заменува сечилата за стрижење, секогаш носете ракавици за да не дојдат рацете и лицето во директен допир со сечилата.

⚠ВАЖНО: Прикачете го капакот за сечилото пред да ги извадите или монтирате сечилата за стрижење.

ЗАБЕЛЕШКА: Кога ги заменува сечилата за стрижење, не бришете го мазивото од курблата.

НАПОМЕНА: Пред монтирање или вадење на сечилата за стрижење, одвиткајте го додатокот така што додатокот да биде рамен со цевката.

1. Прикачете го капакот за сечилото на сечилата за стрижење.

► **Сл.9:** 1. Капак на сечилото

2. Поставете го додатокот свртен наопаку.

3. Извадете ги 4-те завртки со инбус-клуч, па извадете го капакот и плочката (голема).

► **Сл.10:** 1. Завртка 2. Капак 3. Плочка (голема)

4. Свртете ја курблата со засечениот одвртувач, така што курблата да биде поставена во насоката прикажана во сликата.

► **Сл.11:** 1. Курбла

5. Отстранете ги 2-те завртки.

► **Сл.12:** 1. Завртка

6. Извадете ја подлогата од филц (кратка), подлогата од филц (долга), плочката (мала) и муфовите.

► **Сл.13:** 1. Подлога од филц (кратка) 2. Подлога од филц (долга) 3. Плочка (мала) 4. Муф

7. Извадете ги сечилата за стрижење од додатокот.

► **Сл.14**

8. Извадете го капакот за сечилото, а потоа прикачете го на новите сечила за стрижење.

9. Извадете го штитникот против прашина од сечилата за стрижење, па потоа прикачете го на новите сечила за стрижење во положбата прикажана во сликата.

► **Сл.15:** 1. Штитник против прашина

10. Поставете ја завртката извадена во чекор 5 во отворот на сечилата за стрижење низ отворот на капакот на сечилото.

► **Сл.16:** 1. Отвор 2. Завртка

11. Нанесете мала количина мазиво на периферијата на курблата. Прикачете ги сечилата за стрижење на додатокот.

► **Сл.17**

12. Прикачете ги муфовите и плочката (мала) кон сечилата за стрижење, па затегнете ја завртката.

► **Сл.18:** 1. Завртка 2. Плочка (мала) 3. Муф

13. Извадете ја завртката што беше ставена во отворот на сечилата за стрижење во чекор 10, па потоа затегнете ја за да ги фиксирате сечилата за стрижење.

14. Прикачете ја подлогата од филц (кратка) и подлогата од филц (долга).

► **Сл.19:** 1. Подлога од филц (кратка) 2. Подлога од филц (долга)

15. Прикачете ја плочката (голема) и капакот, па потоа затегнете ги 4-те завртки.

► **Сл.20:** 1. Завртка 2. Капак 3. Плочка (голема)

ЗАБЕЛЕШКА: Ако сечилата за стрижење не работат правилно, тогаш тие не ја зафаќаат правилно курблата. Отстранете ги сечилата и монтирајте ги повторно.

ЗАБЕЛЕШКА: Ако има изабени делови што не се сечила за стрижење, како на пример курбла, побарајте замена или поправка на деловите од овластените сервисни центри на Makita.

ОПИС НА ФУНКЦИИТЕ

▲ВНИМАНИЕ: Пред секое нагодување или проверка на алатот, проверувајте дали е исклучен и батеријата е извадена.

Нагодување на аголот на сечење

▲ВНИМАНИЕ: Пред нагодување на аголот на сечење, секогаш осигурете дека алатот е исклучен.

Аголот на главата може да се нагоди во 13 чекори. За промена на аголот на главата, следете ги чекорите подолу.

1. Држете ја рачката за нагодување на аголот, па нагодете го аголот на главата додека го влечете лизгачкиот лост, па потоа отпуштете го лизгачкиот лост.

► **Сл.21:** 1. Лизгачки лост 2. Рачка за нагодување на аголот

2. Малку поместете ја главата додека не се заклучи со кликување.

НАПОМЕНА: Осигурете се дека главата е сигурно заклучена пред да работите со алатот.

РАБОТЕЊЕ

▲ПРЕДУПРЕДУВАЊЕ: Следете ги предупредувањата и мерките на претпазливост во поглавјето „БЕЗБЕДНОСНИ ПРЕДУПРЕДУВАЊА“ и упатството за користење на уредот за напојување.

Работење со алатот

▲ПРЕДУПРЕДУВАЊЕ: Не користете го алатот во близина на какви било електрични водови. Контакт со електрични водови или користење на алатот во близина на електрични водови може да предизвика сериозна повреда или електричен шок кој може да резултира со смрт.

▲ПРЕДУПРЕДУВАЊЕ: Држете ги рацете настрана од сечилата за стрижење.

▲ПРЕДУПРЕДУВАЊЕ: Бидете многу внимателни во одржувањето контрола врз алатот цело време. Не дозволувајте алатот да се одбие кон вас или кој било во работната област. Ако не одржувате контрола врз алатот, може да дојде до тешка повреда на лицата во близина или на операторот.

▲ВНИМАНИЕ: Избегнувајте работа со алатот на многу топло време колку што е можно повеќе. Кога работите со алатот, внимавајте на вашата физичка состојба.

▲ВНИМАНИЕ: Внимавајте случајно да не допрете метална ограда или други тврди предмети за време на стрижењето. Сечилата за стрижење може да се скршат и да предизвикаат повреда.

▲ВНИМАНИЕ: Бидете внимателни и не дозволувајте сечилата за стрижење да дојдат во допир со земјата. Алатот може да се врати наназад и да предизвика повреда.

▲ВНИМАНИЕ: Пресегнувањето со фрезата за жива ограда, особено од скала, е многу опасно. Не работете качени на структура што се ниша или не е стабилна.

ЗАБЕЛЕШКА: Не обидувајте се да сечете гранки со дијаметар поголем од 10 мм со овој алат. Сечете ги гранките на 10 цм пониско од висината на сечењето со помош на сечачите за гранки пред да го употребите овој алат.

► **Сл.22:** (1) Висина на сечењето (2) 10 цм

ЗАБЕЛЕШКА: Не сечете исушени дрва или слични тврди предмети. Тоа може да го оштети алатот.

ЗАБЕЛЕШКА: Не стрижете трева или плевел додека ги користите сечилата за стрижење. Сечилата за стрижење може да се заплеткаат во тревата или плевелот.

Држете го алатот со двете раце преку држење на предната рачка на уредот за напојување или предната дршка на додатокот и задната дршка на уредот за напојување.

► **Сл.23:** 1. Предна рачка 2. Задна дршка

Повлечете го прекинувачот за стартување додека го притискате лостот за деблокирање, па потоа придвижете го алатот нанапред.

► **Сл.24**

За основно работење, навалете ги сечилата за стрижење во насока на стрижењето и движете ги мирно и бавно со брзина од 3 до 4 секунди на метар.

► **Сл.25**

За рамномерно стрижење на страните на живата ограда, сечете од долу нагоре.

► **Сл.26**

Кога сакате да направите кружен облик (потстрижување зеленика или рододендрон, итн.), потстрижувајте од коренот до врвот за убава завршица.

► **Сл.27**

ОДРЖУВАЊЕ

▲ ПРЕДУПРЕДУВАЊЕ: Пред проверка и одржување на опремата, исклучете ја и извадете ја касетата за батеријата. Во спротивно, машината може да се активира ненадејно и тоа да резултира со тешка повреда.

▲ ПРЕДУПРЕДУВАЊЕ: При проверка или одржување на опремата, секогаш ставајте ја долу. Склопувањето или нагодувањето на опремата во исправна положба може да резултира со сериозна повреда.

▲ ПРЕДУПРЕДУВАЊЕ: Следете ги предупредувањата и мерките на претпазливост во поглавјето „БЕЗБЕДНОСНИ ПРЕДУПРЕДУВАЊА“ и упатството за користење на уредот за напојување.

▲ ВНИМАНИЕ: Носете ракавици кога извршувате проверка или одржување.

ЗАБЕЛЕШКА: За чистење, не користете нафта, бензин, разредувач, алкохол или слично. Тие средства ја вадат бојата и може да предизвикаат деформации или пукнатини.

За да се одржи БЕЗБЕДНОСТА и СИГУРНОСТА на производот, поправките, одржувањата или дотерувањата треба да се вршат во овластени сервисни или фабрички центри на Makita, секогаш со резервни делови од Makita.

Чистење на алатот

Чистете го алатот, така што ќе ја бришете прашиката со сува крпа или крпа натопена во сапуница, па исцедена.

ЗАБЕЛЕШКА: За чистење, не користете нафта, бензин, разредувач, алкохол или слично. Тие средства ја вадат бојата и може да предизвикаат деформации или пукнатини.

Одржување на сечилото за стрижење

Пред работењето или еднаш на час за време на работата, нанесете масло со ниска вискозност (масло за машини или масло за подмачкување во вид на спреј) на сечилата за стрижење.

► Сл.28

По работата, исчистете ја правта од двете страни на сечилата за стрижење со жичена четка, избришете ги со крпа и потоа нанесете доволна количина масло со ниска вискозност (масло за машини или масло за подмачкување во вид на спреј) на сечилата за стрижење.

► Сл.29

ЗАБЕЛЕШКА: Не мијте ги сечилата за стрижење во вода. Во спротивно, може да дојде до кородирање или оштетување на алатот.

ЗАБЕЛЕШКА: Нечистотијата и корозијата предизвикуваат прекумерно триење на сечилата и го намалуваат работното време на полната батерија.

Складирање

Прикачете го капакот за сечилото на сечилата за стрижење за да не бидат изложени. Складирајте го алатот надвор од дофат на деца. Складирајте го алатот на место што не е изложено на влага или дожд.

При одделно складирање на додатокот од уредот за напојување, ставете го капачето на крајот од цевката.

► Сл.30

Подмачкување на подвижните делови

ЗАБЕЛЕШКА: Следете ги упатствата за зачестеноста и количеството на обезбеденото средство за подмачкување. Инаку, недоволното подмачкување може да ги оштети подвижните делови.

Погонска оска:

Нанесувајте средство за подмачкување (масло Makita N No.2 или слично) на секои 30 часа од работата.

► Сл.31

НАПОМЕНА: Оригинално средство за подмачкување на Makita може да се купи од вашиот локален продавач на Makita.

Подмачкување со масло

Интервал на подмачкување: на секои 25 часа работење

1. Извадете ја завртката од отворот за подмачкување.

► Сл.32: 1. Завртка

2. Извадете го капачето од садот со масло. Порамнете го излезниот отвор на садот со масло со отворот на капакот, а потоа свртете го садот со масло за да се прикачи излезниот отвор на садот со масло во отворот.

► Сл.33: 1. Сад со масло 2. Отвор

3. Нанесете масло на алатот (Приближно 3 г како насочувач).

4. Извадете го садот со масло.

5. Затегнете ја завртката.

Брусење на сечилата за стрижење

ЗАБЕЛЕШКА: Доколку сечилата за стрижење значително се деформирале со брусење, заменете ги со нови.

1. Монтирајте ја касетата за батерија на алатот.

2. Вклучете го и стартувајте го алатот така што горното и долното сечило се поставуваат наизменично.

► Сл.34

3. Исклучете го алатот и извадете ја касетата за батерија од него.
 4. Поставете го аголот на турпијата на 45° и брусете го горното сечило од 3 насоки со турпијата.
- **Сл.35:** (1) Турпија (2) 45°

⚠ ВНИМАНИЕ: Пред брусење на сечилата за стрижење, секогаш проверувајте дали алатот е исклучен и касетата за батеријата е извадена од алатот.

5. Поставете го алатот наопаку и потоа отстранете ја назабеноста од сечилата за стрижење со каменот за брусење.
- **Сл.36:** 1. Камен за брусење
6. Поставете го аголот на турпијата на 45° и брусете го долното сечило од 3 насоки со турпијата.
 7. Вратете го алатот во нормална положба и потоа отстранете ја назабеноста од сечилата за стрижење со каменот за брусење.

РЕШАВАЊЕ ПРОБЛЕМИ

Пред да нарачате поправка, прво сами проверете ја состојбата. Ако најдете проблем што не е објаснет во упатството, не обидувајте се да го расклопите алатот. Наместо тоа, побарајте помош од овластените сервисни центри на Makita и секогаш користете делови за замена и поправка од Makita.

Состојба на аномалии	Можна причина (дефект)	Поправка
Моторот не стартува.	-	Погледнете во прирачникот со упатства за уредот за напојување.
Моторот запира брзо.	-	Погледнете во прирачникот со упатства за уредот за напојување.
Брзината на моторот не се зголемува.	-	Погледнете во прирачникот со упатства за уредот за напојување.
Сечилата за стрижење не се движат: ⇒ веднаш запрете ја машината!	Туѓи предмети се заглавуваат помеѓу сечилата за стрижење.	Исклучете го алатот и извадете ја касетата за батерија, а потоа отстранете ги туѓите предмети користејќи алати како клешта.
	Погонскиот систем не работи правилно.	Побарајте помош од локален, овластен, сервисен центар за поправка.
Абнормални вибрации: ⇒ веднаш запрете ја машината!	Сечилата за стрижење се скршени, извиткани или изабени.	Заменете ги сечилата за стрижење.
	Погонскиот систем не работи правилно.	Побарајте помош од локален, овластен, сервисен центар за поправка.
Сечилата за стрижење и моторот не запираат: ⇒ веднаш извадете ја батеријата!	Електричен дефект.	Отстранете ја батеријата и побарајте го вашиот локален, овластен, сервисен центар за поправка.

ОПЦИОНАЛЕН ПРИБОР

⚠ ВНИМАНИЕ: Овој прибор или додатоци се препорачуваат за користење со машината од Makita наведена во упатството. Со користење друг прибор или додатоци може да се изложите на ризик од телесни повреди. Користете ги приборот и додатоците само за нивната назначена намена.

Ако ви треба помош за повеќе детали за приборот, прашајте во локалниот сервисен центар на Makita.

- Склоп на сечилото за стрижење
- Сад со масло
- Оригинална батерија и полнач на Makita

НАПОМЕНА: Некои ставки на листата може да се вклучени со пакетот производи како стандарден прибор. Тие може да се разликуваат од држава до држава.

ТЕХНИЧКИ ПОДАЦИ

Модел:	EN402MP
Дужина сечива	500 мм
Укупна дужина	1444 мм
Нето тежина	2,4 кг

- Због нашег непрестаног истраживања и развоја задржавамо право измена наведених спецификација без претходне најаве.
- Спецификације могу да се разликују у различитим земљама.

Одобрена погонска јединица

Овај наставак је одобрен за коришћење само са следећим погонским јединицама:

- DUX60 Бежична вишенаменска погонска глава
- DUX18 Бежична вишенаменска погонска глава
- UX01G Бежична вишенаменска погонска глава

▲УПОЗОРЕЊЕ: Никада немојте да користите наставак са неодобреном погонском јединицом. Коришћење неодобрених делова може довести до наношења озбиљних повреда.

Симболи

У наставку су приказани симболи који се односе на опрему. Пре употребе се обавезно упознајте са њиховим значењем.



Прочитајте и пратите приручник са упутствима.



ОПАСНОСТ – Руке држите даље од сечива.



Чувајте се електричних жица. Постоји ризик од струјног удара.



Носите заштитни шлем, заштитне наочаре и заштитне слушалице.



Носите заштитне рукавице.



Носите робусне чизме са неклизајућим ђоном.



Водите рачуна о томе да посматрачи и животиње буду удаљени од електричног алата најмање 15 м (50 стопа).



Постарајте се да у области рада нема људи ни животиња.



Гарантовани ниво звучне снаге у складу са ЕУ директивом о буци коју емитује опрема на отвореном простору.



Ниво звучне снаге у складу са уредбом о контроли буке у Аустралији, НЈБ

Намена

Овај наставак је дизајниран само за поткресивање живе ограде заједно са одобреном погонском јединицом. Никада немојте да користите наставак за друге намене. Неправилно коришћење наставка може довести до наношења озбиљних повреда.

ЕЗ декларација о усаглашености

Само за европске земље

У име произвођача: **Makita Europe N.V.**, пословна адреса: **Jan-Baptist Vinkstraat 2 3070 Kortenberg BELGIUM. Hiroshi Tsujimura** је овлашћен за скупљање техничких датотека и изјављује под пуном одговорношћу да производи

Ознака: **Наставак за пример за живу ограду.**

Ознака типа: **EN402MP.**

Испуњавају све релевантне одредбе директиве **2006/42/EC** и такође испуњавају све релевантне одредбе следећих директива ЕЗ/ЕУ: **2000/14/EC** и произведени су у складу са следећим усклађеним стандардима: **EN62841-1:2015, EN 62841-4-2:2019, EN ISO 11806-1:2011.**

Место и датум декларације: **Kortenberg, Белгија. 20. 12. 2022**

Одговорна особа: **Hiroshi Tsujimura, директор – Makita Europe N.V.**

БЕЗБЕДНОСНА УПОЗОРЕЊА

Сигурносна упозорења за бежични телескопски тример за живу ограду

1. **Држите све делове тела даље од сечива.** Немојте уклањати исечени материјал или држати материјал који сечете док се сечива покрећу. Сечива настављају да се крећу након што се прекидач искључи. Један тренутак непажње током руковања тримером за живу ограду може да доведе до озбиљне повреде руковаоца.
2. **Носите тример за живу ограду држећи га за ручку док је сечиво заустављено и водећи рачуна да не притиснете ниједан прекидач за укључивање.** Адекватно ношење тримера за живу ограду смањује ризик од случајног покретања и телесних повреда од сечива.
3. **Приликом транспорта или складиштења тримера за живу ограду увек ставите поклопац на сечива.** Адекватно руковање тримером за живу ограду умањује ризик од телесних повреда од сечива.
4. **Када чистите заглављени материјал или сервисирате уређај, уверите се да су сви прекидачи за укључивање искључени и да је батерија укључена или искључена.** Неочекивано покретање тримера за живу ограду током чишћења заглављеног материјала или сервисирања може да доведе до тешких телесних повреда.
5. **Тример за живу ограду држите искључиво за изоловане површине за хватање јер сечиво може да дође у додир са сакривеним електричним инсталацијама.** Сечива која додиру струјни кабл могу да ставе под напон изложене металне делове тримера за живу ограду и изложе руковаоца струјном удару.
6. **Све електричне каблове држите даље од области резања.** Електрични каблови могу бити скривени у живици или жбуњу и можете случајно да их исечете сечивом.
7. **Немојте да користите тример за живу ограду у лошим временским условима, нарочито када постоји ризик од удара грома.** Тако смањујете опасност од удара грома.
8. **Да бисте смањили опасност од смрти од електричног удара, никада не користите телескопски тример за живу ограду у близини водова електричне мреже.** Контакт са електричном мрежом или коришћење алата у близини електричне мреже могу да доведу до озбиљних повреда или струјног удара и смрти.
9. **Увек користите две руке приликом рада са телескопским тримером за живу ограду.** Држите телескопски тример за живу ограду обема рукама да бисте избегли губитак контроле.
10. **Увек користите заштиту за главу када радите са телескопским тримером за живу ограду изнад главе.** Опилци који падају могу да доведу до тешких телесних повреда.

Додатна безбедносна упутства

Припрема

1. **ОВАЈ ТРИМЕР ЗА ЖИВУ ОГРАДУ МОЖЕ ДА ДОВЕДЕ ДО ОЗБИЉНИХ ТЕЛЕСНИХ ПОВРЕДА.** Пажљиво прочитајте упутства у вези са исправним руковањем, припремом, одржавањем, покретањем и заустављањем алата. Упознајте се са свим управљачким елементима и одговарајућом употребом алата.
2. **Проверите да ли у живици и жбуњу постоје страни предмети, као што су жичане ограде или скривене жице, пре него што употребите овај алат.**
3. **Тример за живу ограду не смеју да користе деца или лица млађа од 18 година.** Младе особе које имају више од 16 година могу да буду изузете од овог ограничења ако су прошле обуку под надзором стручњака.
4. **У случају опасности одмах искључите алат и уклоните уложак батерије.**
5. **ОПАСНОСТ - Држите шакве даље од сечива.** Додир са сечивом може довести до озбиљне телесне повреде.
6. **Лицима која први пут употребљавају уређај искусан корисник би требало да покаже како да користе алат.**
7. **Пре почетка рада проверите да ли у простору за рад има жичаних ограда, камења или других чврстих предмета. Они могу оштетити сечива.**
8. **Користите тример за живу ограду само ако сте у добром физичком стању.** Ако сте уморни, пажња ће вам бити умањена. Будите посебно пажљиви пред крај радног дана. Сав рад обављајте смирено и пажљиво. Корисник је одговоран за сву штету нанету трећим лицима.
9. **Пре него што почнете са радом проверите да ли је тример у добром и исправном стању. Постарајте се да штитници буду правилно постављени. Тример за живу ограду се не сме користити уколико није у потпуности склопљен.**
10. **Избегавајте опасна окружења. Немојте користити алат на влажним или мокрым местима или га излагати киши. Вода која уђе у алат повећава ризик од струјног удара.**

Лична заштитна опрема

1. **Радне рукавице од отпорне коже** предлавају део основне опреме тримера за живу ограду и морају се увек носити приликом руковања тримером. Такође носите чврсте ципеле са ђоновима које спречавају клизање.
2. **Носите заштиту за уши** попут слушалица да бисте спречили губитак слуха.
3. **Носите заштитне наочаре, безбедносни шлем и заштитне рукавице** како бисте се заштитили од летећих опилка и предмета који падају.
4. **Носите заштитне рукавице** када додирујете сечива или када подешавате угао сечива. Сечива могу озбиљно да повреду голе руке.

Рад

1. Увек користите две руке за руковање алатом. Ако користите једну руку, то може да доведе до губитка контроле и тешких телесних повреда.
2. Док радите са алатом, уверите се да је положај за рад увек безбедан. Протезање са алатом, посебно са мердевина, је изузетно опасно. Немојте радити док сте на површини која је несигурна или нестабилна.
3. Немојте истовремено да носите више појасева за струк и/или појасева за рамена када радите са алатом.
4. Током рада водите рачуна да посматрачи или животиње буду удаљени од алата најмање 15 м. Зауставите алат чим се неко приближи.
5. Ако резни алат удари неки предмет или алат почне да прави необичну буку или да вибрира, одмах га искључите и уклоните уложак батерије и сачекајте да се алат заустави. Затим обавите следеће кораке:
 - прегледајте да ли има оштећења
 - проверите да ли постоје лабави делови и затегните их
 - замените оштећене делове или их поправите користећи оригиналне резервне делове.
6. Алат користите само за предвиђену намену. Немојте да користите алат у друге сврхе.
7. Искључите алат и уклоните уложак батерије пре:
 - чишћења или када чистите блокаду,
 - провере, обављања одржавања или рада на алату,
 - подешавања сечива маказа у положај за рад,
 - остављања алата без надзора.
8. Уверите се да се алат налази у исправном радном положају пре него што га покренете.
9. Немојте да користите алат са оштећеним или претерано похабаним сечивима маказа.
10. Увек обратите пажњу на окружење и водите рачуна о могућим опасностима којих можда нисте свесни због буке алата.
11. Водите рачуна да случајно не додирнете металну ограду или друге чврсте предмете током рада. Сечиво ће се сломити и може да изазове повреду.
12. Водите рачуна да не покренете случајно алат. Не носите алат када је у њега постављен уложак батерије и са прстом на прекидачу. Уверите се да је прекидач искључен када постављате уложак батерије.
13. Немојте да хватате истурена резна сечива или резне ивице када подижете или придржавате алат.
14. Не притискајте алат. Он ће обавити посао боље и са мањом вероватноћом настанка ризика од повреда уколико ради при брзини за коју је пројектован.
15. Немојте користити алат по киши или у мокрим или веома влажним условима. Електрични мотор није водоотпоран.
16. Чврсто држите алат приликом руковања.
17. Немојте непотребно руковати алатом без оптерећења.

18. Пре провере сечива маказа, уклањања кварова или страних предмета ухваћених у сечива маказа, увек искључите алат и уклоните уложак батерије.
19. Немојте никада упирати сечива маказа према себи или другима.
20. Ако сечива престану да се okreћу услед заглављивања страних предмета између сечива током рада, искључите алат и уклоните уложак батерије, па затим извадите страни предмет помоћу алата као што су клешта. Ако уклањате стране предмете руком, могуће су повреде услед тога што се сечива могу покренути када извадите страни предмет.
21. Приликом причвршћивања и скидања поклопца сечива, пазите да не повредите руке.

Заштита електричних инсталација и акумулатора

1. Избегавајте опасна окружења. Немојте користити алат на влажним или мокрим местима или га излагати киши. Вода која уђе у алат повећава ризик од струјног удара.
2. Батерије немојте бацати у ватру. Могле би да експлодирају. Проверите да ли локални закони предвиђају посебна упутства за одлагање.
3. Немојте да отварате или разбијате батерије. Ослобођени електрицит је корозиван и може да повреди очи или кожу. Може да буде токсичан уколико се прогута.
4. Немојте да пуните батерију на киши или на влажним местима.
5. Немојте да пуните батерију на отвореном.
6. Не дирајте пуњач, укључујући утикач пуњача и прикључке пуњача мокрим рукама.

Одржавање и складиштење

1. Када алат зауставите ради сервисирања, провере или одлагања, искључите алат и уклоните уложак батерије, па се уверите да су се сви покретни делови зауставили. Сачекајте да се алат охлади пре него што га проверите, подесите итд.
2. Увек оставите алат да се охлади пре него што га одложите.
3. Када га не користите, поставите поклопац сечива на алат и чувајте алат у затвореном простору, на сувом, високом и зашћеном месту, ван домаћаја деце.
4. Пажљиво одржавајте алат. Резна ивица треба да буде оштра да бисте остварили најбоље радне карактеристике и смањили опасност од повреде. Пратите упутства за подмазивање и замену додатног прибора. Руховати морају бити суви, чисти и на њима не сме бити уља нити мазива.
5. Проверите да ли има оштећених делова. Пре следећег коришћења алата, сваки оштећени део треба детаљно да прегледате и да процените да ли ће исправно да ради и обавља своју функцију. Проверите усклађеност покретних делова, спојеве покретних делова, ломове делова, монтажу и све друге услове који могу да утичу на рад алата. Штитник или друге оштећене делове треба ваљано поправити или заменити у вашем овлашћеном сервисном центру.

6. Користите само оригиналне резервне делове.
7. Приликом пребацивања алата на неко друго место, укључујући и током рада, увек скините уложак батерије и ставите поклопац на сечива маказа. Никада немојте да носите или транспортујете алат док се сечива крећу. Никада не хватајте сечива рукама.
8. Очистите алат, а нарочито сечива маказа после употребе и пре складиштења примера на дуже временске периоде. Лагано науљите сечива маказа и ставите поклопац на њих.
9. Батерије немојте бацати у ватру. Могле би да експлодирају. Проверите да ли локални закони предвиђају посебна упутства за одлагање.
10. Немојте отварати или разбијати батерије. Ослобођени електролит је корозиван и може повредити очи или кожу. Може да буде токсичан уколико се прогута.
11. Немојте да пуните батерију на киши или на влажним местима.

САЧУВАЈТЕ ОВО УПУТСТВО.

▲УПОЗОРЕЊЕ: НЕМОЈТЕ себи да дозволите да занемарите строга безбедносна правила која се односе на овај производ услед чињенице да сте производ добро упознали и стекли рутину у руковању њиме (услед честог коришћења). **НЕНАМЕНСКА УПОТРЕБА** или непоштовање безбедносних правила наведених у овом упутству могу довести до тешких телесних повреда.

ОПИС ДЕЛОВА

- **Слика1:** 1. Поклопац сечива 2. Ручка за подешавање угла 3. Поклопац 4. Сечива маказа 5. Клизна полуга 6. Предњи рукохват

СКЛАПАЊЕ

▲УПОЗОРЕЊЕ: Искључите мотор и уклоните уложак батерије пре склапања или подешавања опреме. У супротном, машина може изненада да се укључи и изазове повреде.

▲УПОЗОРЕЊЕ: Приликом склапања или подешавања опреме, увек спустите опрему. Склапање или подешавање опреме у исправном положају може довести до озбиљних повреда.

▲УПОЗОРЕЊЕ: Пратите упозорења и мере предострожности у одељку „БЕЗБЕДНОСНА УПОЗОРЕЊА“ и приручник са упутствима за погонску јединицу.

СКЛАПАЊЕ НАСТАВКА

1. Уклоните поклопац са наставка.
► **Слика2:** 1. Поклопац
2. Уметните цев у наставка тако да отвор на цеви буде у равни са отвором на наставку. Прво добро затегните кратки вијак, а затим и дугачки да бисте фиксирали цев.
► **Слика3:** 1. Отвор 2. Осовина 3. Вијак (кратки) 4. Вијак (дугачки)

НАПОМЕНА: Када притеже вијке, примените моменат затезања од 4,0 – 6,0 Н•м.

Постављање цеви наставка

▲ПАЖЊА: Увек проверите да ли је цев наставка чврсто постављена након монтирања. Ако је неправилно монтирате, наставка би могао да се откачи са погонске јединице и изазове повреде.

Поставите наставка на погонску јединицу.

1. Уклоните поклопац на крају осовине.

► **Слика4:** 1. Осовина 2. Поклопац

ОБАВЕШТЕЊЕ: Не одлажите поклопац јер је неопходан за складиштење наставка.

2. Окрените полугу ка наставку.

► **Слика5:** 1. Полуга

3. Поравнајте иглу са ознаком стрелице на погонској јединици. Уметните цев док не искочи дугме за отпуштање.

Уверите се да се линија положаја налази на врху ознаке стрелице на погонској јединици, а да су ознака стрелице на погонској јединици и ознака на цеви усмерене једна према другој.

► **Слика6:** 1. Дугме за отпуштање 2. Ознака стрелице на погонској јединици 3. Игла 4. Линија положаја 5. Ознака стрелице на цеви

4. Окрените полугу ка погонској јединици.

► **Слика7:** 1. Полуга

Проверите да ли је површина полуге паралелна у односу на цев.

ОБАВЕШТЕЊЕ: Немојте стезати полугу без уметните осовине наставка. Полуга може превише да затегне улаз погонске осовине и оштети је.

Да бисте уклонили осовину, окрените полугу у правцу наставка и извучите осовину док притискате дугме за отпуштање.

► **Слика8:** 1. Дугме за отпуштање 2. Полуга 3. Цев

Постављање и уклањање сечива маказа

ПАЖЊА: Приликом замене сечива маказа, увек носите рукавице да руке не би дошле у директан контакт са сечивима.

ПАЖЊА: Поставите поклопац сечива пре уклањања или постављања сечива маказа.

ОБАВЕШТЕЊЕ: Приликом замене сечива маказа, немојте брисати мазиво са обртне ручице.

НАПОМЕНА: Пре постављања или уклањања сечива маказа, расклопите наставак тако да буде усправан у односу на цев.

1. Поставите поклопац сечива на сечива маказа.

► **Слика9:** 1. Поклопац сечива

2. Поставите наставак наопако.

3. Уклоните 4 вијак помоћу имбус кључа и уклоните поклопац и плочу (велику).

► **Слика10:** 1. Вијак 2. Поклопац 3. Плоча (велика)

4. Окрените обртну ручицу помоћу одвијача са равним врхом тако да обртна ручица буде у положају као што је приказано на слици.

► **Слика11:** 1. Обртна ручица

5. Уклоните 2 вијка.

► **Слика12:** 1. Вијак

6. Уклоните плочу обложену филцом (кратку), плочу обложену филцом (дугу), плочу (малу) и навлаке.

► **Слика13:** 1. Плоча обложена филцом (кратка)
2. Плоча обложена филцом (дугачка)
3. Плоча (мала) 4. Наглавак

7. Скините сечива маказа са наставка.

► **Слика14**

8. Уклоните поклопац сечива, а затим га поставите на нова сечива маказа.

9. Скините штитник од прашине са сечива маказа, а затим га причврстите на нова сечива маказа у положају приказаном на слици.

► **Слика15:** 1. Штитник од прашине

10. Уметните вијак уклоњен у кораку 5 у рупу на сечивима маказа кроз отвор на поклопу сечива.

► **Слика16:** 1. Отвор 2. Вијак

11. Нанесите малу количину мазива на обод обртне ручице. Причврстите сечива маказа на наставак.

► **Слика17**

12. Причврстите навлаке, плочу (малу) на сечива маказа, а затим притегните вијак.

► **Слика18:** 1. Вијак 2. Плоча (мала) 3. Наглавак

13. Уклоните вијак уметнут у рупу на сечивима маказа у кораку 10, а затим га затегните да бисте причврстили сечива маказа.

14. Причврстите плочу обложену филцом (кратку) и плочу обложену филцом (дугачку).

► **Слика19:** 1. Плоча обложена филцом (кратка)
2. Плоча обложена филцом (дугачка)

15. Причврстите плочу (велику) и поклопац, па затим притегните 4 вијка.

► **Слика20:** 1. Вијак 2. Поклопац 3. Плоча (велика)

ОБАВЕШТЕЊЕ: Ако сечива маказа не раде правилно, сечива неће исправно активирати обртну ручицу. Уклоните сечива, па их поново поставите.

ОБАВЕШТЕЊЕ: Ако се неки други делови осим сечива маказа похабају, на пример, обртна ручица, затражите заменске делове или поправку у овлашћеним сервисним центрима компаније Makita.

ОПИС НАЧИНА ФУНКЦИОНИСАЊА

ПАЖЊА: Пре подешавања или провере функција алата увек проверите да ли је алат искључен и да ли је уложак батерије уклоњен.

Подешавање угла резања

ПАЖЊА: Увек проверите да ли је алат искључен пре подешавања угла сечења.

Угао главе може да се подеси у 13 корака. Да бисте подесили угао главе, пратите следеће кораке.

1. Држите ручку за подешавање угла, па подесите угао главе док повлачите клизну полуку, а затим отпустите клизну полуку.

► **Слика21:** 1. Клизна полука 2. Ручка за подешавање угла

2. Померајте помало главу док је не закључате уз звук клика.

НАПОМЕНА: Пре него што почнете да радите са алатом, проверите да ли је глава закључана.

РАД

УПОЗОРЕЊЕ: Пратите упозорења и мере предострожности у одељку „БЕЗБЕДНОСНА УПОЗОРЕЊА“ и приручник са упутствима за погонску јединицу.

Рад са алатом

УПОЗОРЕЊЕ: Немојте да користите алат у близини водова електричне мреже. Контакт са електричном мрежом или коришћење алата у близини електричне мреже могу да доведу до озбиљних повреда или струјног удара и смрти.

УПОЗОРЕЊЕ: Држите шаке даље од сечива маказа.

УПОЗОРЕЊЕ: Будите изузетно пажљиви да одржавате контролу над алатом у сваком тренутку. Немојте да дозволите да се алат савија према вама или некој другој особи у близини простора за рад. Губитак контроле над алатом може да доведе до озбиљне повреде посматрача или руковаоца.

▲ПАЖЊА: Избегавајте да рукујете алатом по веома топлом времену колико год је то могуће. Када рукујете алатом водите рачуна о свом физичком стању.

▲ПАЖЊА: Водите рачуна да случајно не додирнете металну ограду или друге чврсте предмете током подрезивања. Сечива маказа могу да се сломе и изазову повреду.

▲ПАЖЊА: Водите рачуна да не дозволите да сечива маказа дођу у додир са тлом. Алат се може сломити и изазвати повреду.

▲ПАЖЊА: Протезање са тримером за живу ограду, посебно са мердевина, је изузетно опасно. Немојте радити док стојите на површини која је несигурна или нестабилна.

ОБАВЕШТЕЊЕ: Не покушавајте да овим алатом сечете гране чији је пречник већи од 10 мм. Режите гране на висину 10 цм мању од висине сечења користећи сечаче за гране пре употребе алата.

► **Слика22:** (1) Висина сечења (2) 10 цм

ОБАВЕШТЕЊЕ: Не сеците осушено дрвеће или сличне чврсте предмете. То може да оштети алат.

ОБАВЕШТЕЊЕ: Немојте да подрезујете траву или коров користећи сечиво маказа. Сечива маказа могу да се упетљају у траву или корове.

Држите алат обема рукама тако што ћете ухватити предњу ручку погонске јединице или предњи рукохват наставка и задњи рукохват погонске јединице.

► **Слика23:** 1. Предња ручка 2. Задњи рукохват

Повуците окидач прекидача док притискате полуку за ослобађање из блокираног положаја, а затим померите алат унапред.

► **Слика24**

За основни рад нагните сечива маказа у смеру подрезивања и смирено и полако их померајте брзином од 3 до 4 секунде по метру.

► **Слика25**

Да бисте равномерно исекли бочну страну живе ограде, сечите од дна према врху.

► **Слика26**

Ако опсецањем желите да направите заобљени облик (шимшир или рододендрон итд.), сечите од корена ка врху да бисте добили лепу завршну обраду.

► **Слика27**

ОДРЖАВАЊЕ

▲УПОЗОРЕЊЕ: Искључите мотор и уклоните уложак батерије пре провере или одржавања опреме. У супротном, машина може изненада да се укључи и изазове тешке повреде.

▲УПОЗОРЕЊЕ: Приликом провере или одржавања опреме, увек спустите опрему. Склапање или подешавање опреме у усправном положају може довести до озбиљних повреда.

▲УПОЗОРЕЊЕ: Пратите упозорења и мере предосторожности у одељку „БЕЗБЕДНОСНА УПОЗОРЕЊА“ и приручник са упутствима за погонску јединицу.

▲ПАЖЊА: Носите рукавице када обављате радове провере или одржавања.

ОБАВЕШТЕЊЕ: Никад немојте да користите нафту, бензин, разређивач, алкохол и слична средства. Може доћи до губитка боје, деформације или оштећења.

БЕЗБЕДАН и ПОУЗДАН рад алата гарантујемо само ако поправке, свако друго одржавање или подешавање, препустите овлашћеном сервису компаније Makita или фабричком сервису, уз употребу оригиналних резервних делова компаније Makita.

Чишћење алата

Алат чистите тако што ћете пребрисати прашину сувом тканином или тканином натопљеном сапуницом и исцеђеном.

ОБАВЕШТЕЊЕ: Никад немојте да користите нафту, бензин, разређивач, алкохол и слична средства. Може доћи до губитка боје, деформације или оштећења.

Одржавање сечива маказа

Пре коришћења или на сваких сат времена током рада, нанесите уље ниске вискозности (машинско уље или уље за подмазивање у спреју) на сечива маказа.

► **Слика28**

Након рада, жичаном четком уклоните прашину са обе стране сечива маказа, пребришите их крпом, а затим на њих нанесите уље ниске вискозности (машинско уље или уље за подмазивање у спреју).

► **Слика29**

ОБАВЕШТЕЊЕ: Немојте прати сечива маказа водом. Тако може да дође до корозије или оштећења алата.

ОБАВЕШТЕЊЕ: Прљавштина и корозија доводе до прекомерног трења сечива и скраћују време рада по пуњењу акумулатора.

Чување

Поставите поклопац сечива на сечива маказа тако да сечива не буду изложена. Чувајте алат изван домаћаја деце. Чувајте алат на месту које није изложено влази и киши.

Приликом складиштења наставка одвојено од погонске јединице, поставите поклопац на крај цеви.

► **Слика30**

Подмазивање покретних делова

ОБАВЕШТЕЊЕ: Пратите испоручена упутства о учесталости и количини масти.

Недовољно подмазивање може да оштети покретне делове.

Погонски мост:

Нанесите мазиво (Makita мазиво N No.2 или слично) на сваких 30 сати рада.

► **Слика31**

НАПОМЕНА: Оригинално Makita мазиво можете да купите код локалног Makita продавца.

Мазиво

Учесталост подмазивања: На сваких неколико (25) сати рада

1. Уклоните вијак из отвора ради подмазивања.

► **Слика32:** 1. Вијак

2. Скините поклопац са тубе са мазивом. Поравнајте отвор на туби са мазивом са отвором на поклопцу, а затим окрените тубу са мазивом да бисте причврстили отвор на туби са мазивом у отвор.

► **Слика33:** 1. Туба са мазивом 2. Отвор

3. Нанесите мазиво у алат (око 3 г као референца).

4. Скините тубу са мазивом.

5. Притегните вијак.

Брушење сечива маказа

ОБАВЕШТЕЊЕ: Ако су се сечива маказа значајно деформисала од брушења, замените их новим.

1. Поставите уложак батерије у алат.

2. Укључите и покрените алат тако да су горња и доња сечива постављена наизменично.

► **Слика34**

3. Искључите алат и уклоните уложак батерије из њега.

4. Подесите угао турпије на 45° и брусите горње сечиво из 3 правца помоћу турпије.

► **Слика35:** (1) Турпија (2) 45°

ПАЖЊА: Пре брушења сечива маказа, уверите се да је алат искључен и да је уложак батерије извађен из алата.

5. Поставите алат наопако, а затим уклоните опилке са сечива маказа помоћу брусног камена.

► **Слика36:** 1. Брусни камен

6. Подесите угао турпије на 45° и брусите доње сечиво из 3 правца помоћу турпије.

7. Поставите алат у нормалан положај, а затим уклоните опилке са сечива маказа помоћу брусног камена.

РЕШАВАЊЕ ПРОБЛЕМА

Пре него што затражите поправку, најпре сами извршите преглед. Уколико наиђете на проблем који није објашњен у упутству, не покушавајте да расклопите алат. Уместо тога тражите поправке од овлашћених сервисних центара Makita и увек користите оригиналне Makita резервне делове приликом поправки.

Неисправно стање	Вероватан узрок (квар)	Отклањање квара
Мотор се не покреће.	–	Погледајте приручник са упутствима за погонску јединицу.
Мотор се брзо зауставља.	–	Погледајте приручник са упутствима за погонску јединицу.
Брзина мотора се не повећава.	–	Погледајте приручник са упутствима за погонску јединицу.
Сечива се не померају; ⇒ одмах зауставите машину!	Страни предмети су ухваћени у сечива маказа.	Искључите алат и уклоните уложак батерије, а затим уклоните стране предмете помоћу алата као што су клешта.
	Погонски систем не ради како треба.	Затражите поправку од свог локалног овлашћеног сервисног центра.
Необичне вибрације; ⇒ одмах зауставите машину!	Сечива маказа су поломљена, савијена или похабана.	Замените сечива маказа.
	Погонски систем не ради како треба.	Затражите поправку од свог локалног овлашћеног сервисног центра.
Сечива маказа и мотор не могу да се зауставе; ⇒ Одмах уклоните батерију!	Електрични квар.	Уклоните батерију и затражите поправку од локалног овлашћеног сервисног центра.

ОПЦИОНИ ПРИБОР

⚠ ПАЗЊА: Ова опрема и прибор су предвиђени за употребу са Makita машином описаном у овом упутству за употребу. Употреба друге опреме и прибора може да доведе до повреда. Додатну опрему или прибор користите искључиво за предвиђену намену.

Да бисте добили више детаља у вези са овим прибором, обратите се локалном сервисном центру компаније Makita.

- Скlop сечива маказа
- Туба са мазивом
- Makita оригинална батерија и пуњач

НАПОМЕНА: Поједине ставке на листи могу бити укључене у садржај паковања производа као стандардна опрема. Оне се могу разликовати од земље до земље.

SPECIFICAȚII

Model:	EN402MP
Lungime lamă	500 mm
Lungime totală	1444 mm
Greutate netă	2,4 kg

- Datorită programului nostru continuu de cercetare și dezvoltare, specificațiile pot fi modificate fără o notificare prealabilă.
- Specificațiile pot varia în funcție de țară.

Unitate de acționare aprobată

Acest dispozitiv de atașare este aprobat pentru utilizare numai cu următoarele unități/următoarea unitate de acționare:

- Cap cu motor universal fără cablu DUX60
- Cap cu motor universal fără cablu DUX18
- Cap cu motor universal fără cablu UX01G

⚠️ AVERTIZARE: Nu utilizați niciodată dispozitivul de atașare cu o unitate de acționare neaprobă. Combinațiile neaprobate pot cauza leziuni grave.

Simboluri

Mai jos sunt prezentate simbolurile care pot fi utilizate pentru echipament. Asigurați-vă că înțelegeți sensul acestora înainte de utilizare.



Citiți și respectați manualul de instrucțiuni.



PERICOL - Țineți mâinile la distanță de lamă.



Feriți-vă de liniile electrice. Risc de șoc electric.



Purtați cască de protecție, protecție pentru ochi și urechi.



Purtați mănuși de protecție.



Purtați cizme robuste cu talpă antiderapantă.



Țineți persoanele din zonă și animalele la cel puțin 15 m (50 ft) de unitatea de acționare.



Țineți toate persoanele și animalele de companie departe de zona de operare.



Nivel de putere acustică garantat în conformitate cu Directiva UE privind zgomotul emis de echipamentele utilizate în exterior.



Nivel de putere acustică în conformitate cu Regulamentul NSW al Australiei privind atenuarea zgomotului

Destinația de utilizare

Acest dispozitiv de atașare este conceput numai pentru tunderea gardurilor vii împreună cu o unitate de acționare aprobată. Nu utilizați niciodată dispozitivul de atașare în alte scopuri. Utilizarea necorespunzătoare a dispozitivului de atașare poate cauza leziuni grave.

Declarație de conformitate CE

Numai pentru țările europene

Noi, în calitate de producători: **Makita Europe N.V.**, cu adresa profesională: **Jan-Baptist Vinkstraat 2 3070 Kortenberg BELGIA**. Îl autorizăm pe **Hiroshi Tsujimura** pentru compilarea fișierului tehnic și declarăm pe propria răspundere faptul că produsul (produsele):

Denumire: **Dispozitiv de atașare pentru mașina de tuns gardul viu**. Denumirea tipului (tipurilor): **EN402MP**.

Îndeplinește toate prevederile relevante ale Directivei **2006/42/CE**, precum și toate prevederile relevante ale următoarelor Directive CE/UE: **2000/14/CE** și este fabricat în conformitate cu următoarele standarde armonizate: **EN62841-1:2015, EN 62841-4-2:2019, EN ISO 11806-1:2011**.

Locul și data declarației: **Kortenberg, Belgia. 20. 12. 2022**

Persoana responsabilă: **Hiroshi Tsujimura, director - Makita Europe N.V.**

AVERTIZĂRI DE SIGURANȚĂ

Avertizări de siguranță pentru mașina de tuns gardul viu înalt cu acumulator

- Țineți-vă toate părțile corpului departe de lamă. Când lamele sunt în mișcare, nu îndepărtați materialul tăiat sau nu țineți materialul care va fi tăiat.** Lamele continuă să se miște după oprirea întrerupătorului. Un moment de neatenție în timpul utilizării mașinii de tuns gardul viu poate cauza răniri grave.
- Transportați mașina de tuns gardul viu de mâner, cu lama oprită și având grijă să nu acționați niciun comutator de acționare.** Transportarea corectă a mașinii de tuns gardul viu va reduce riscul de pornire accidentală și implicit de vătămare corporală din cauza lamelor.
- Când transportați sau depozitați mașina de tuns gardul viu, montați întotdeauna capacul pentru lame.** Manipularea corectă a mașinii de tuns gardul viu va reduce riscul de vătămare corporală din cauza lamelor.
- Atunci când îndepărtați materialul blocat în unitate sau efectuați operațiuni de service la aceasta, asigurați-vă că toate comutatoarele de alimentare sunt oprite și că acumulatorul este demontat sau deconectat.** Acționarea pe neașteptate a mașinii de tuns gardul viu în timp ce îndepărtați materialul blocat sau efectuați operațiuni de service poate cauza vătămări corporale grave.
- Țineți mașina de tuns gardul viu doar de suprafețele de prindere izolate, deoarece lama poate intra în contact cu fire ascunse.** Contactul lamelor cu un cablu aflat sub tensiune poate pune sub tensiune piesele metalice expuse ale mașinii de tuns gardul viu, conducând la electrocutarea operatorului.
- Țineți toate cablurile de alimentare la distanță de zona de tăiere.** Întrucât cablurile de alimentare pot fi ascunse prin gardul viu sau prin tufișuri, există riscul ca acestea să fie tăiate din greșeală cu lama.
- Nu utilizați mașina de tuns gardul viu în condiții de vreme nefavorabilă, în special când există riscul de descărcări electrice.** Astfel reduceți riscul de a fi lovit de fulger.
- Pentru a reduce pericolul de electrocutare, nu utilizați niciodată mașina de tuns gardul viu înalt în apropierea unor linii electrice.** Contactul cu liniile electrice sau utilizarea mașinii în apropierea acestora poate provoca vătămări grave sau moarte prin electrocutare.
- Folosiți întotdeauna ambele mâini atunci când utilizați mașina de tuns gardul viu înalt.** Țineți mașina de tuns gardul viu înalt cu ambele mâini pentru a evita pierderea controlului.
- Purtați întotdeauna cască de protecție atunci când utilizați mașina de tuns gardul viu înalt mai sus de nivelul capului.** Resturile care cad pot provoca vătămări corporale grave.

Instrucțiuni de siguranță suplimentare

Pregătire

- 1. ACEASTĂ MAȘINĂ DE TUNS GARDUL VIU POATE CAUZA VĂTĂMĂRI CORPORALE GRAVE.** Citiți cu atenție instrucțiunile pentru manipularea, pregătirea, întreținerea, pornirea și oprirea în mod corect a mașinii. Familiarizați-vă cu toate comenzile și cu utilizarea corectă a mașinii.
- 2. Verificați dacă există obiecte străine în gardurile vii și în tufișuri, cum ar fi garduri de sârmă sau fire ascunse, înainte de a utiliza mașina.**
- 3. Mașina de tuns gardul viu nu trebuie folosită de copii sau adolescenți cu vârstă mai mică de 18 ani.** Adolescenții cu vârstă mai mare de 16 ani pot fi excepții de la această restricție în cazul în care beneficiază de instrucții sub supravegherea unui expert.
- 4. În caz de urgență, opriți mașina și scoateți cartușul acumulatorului imediat.**
- 5. PERICOL - Țineți mâinile la distanță de lamă.** Contactul cu lama poate cauza vătămări corporale grave.
- 6. Cei care utilizează pentru prima dată mașina trebuie să lucreze împreună cu un utilizator cu experiență care să le arate cum să o folosească.**
- 7. Înainte de operare, verificați dacă în zona de lucru există garduri de sârmă, pietre sau alte obiecte solide.** Acestea pot deteriora lamele.
- 8. Utilizați mașina de tuns gardul viu numai dacă vă aflați într-o stare fizică bună.** Dacă sunteți obosit/ă, atenția vă va fi redusă. Fiți atenți/ă, în special la finalul zilei de muncă. Executați fiecare lucrare cu calm și cu atenție. Utilizatorul este responsabil pentru toate distrugerile provocate unor țărțe părți.
- 9. Înainte de a începe lucrul, verificați mașina de tuns pentru a vă asigura că este în stare bună și sigură de funcționare.** Asigurați-vă că apărătorii sunt montate corect. Mașina de tuns gardul viu nu trebuie utilizată dacă nu este complet asamblată.
- 10. Evitați mediile periculoase. Nu utilizați mașina în locații cu umezeală și nu o expuneți la ploaie.** Dacă intră apă în mașină, riscul electrocutării este mai mare.

Echipping individual de protecție

- 1. Mănușile de lucru din piele rezistentă sunt componente ale echipamentului de bază al mașinii de tuns gardul viu și trebuie să fie purtate întotdeauna în timpul utilizării acesteia.** De asemenea, purtați încălțăminte rezistentă și cu tălpi antiderapante.
- 2. Purtați protecție pentru urechi, precum anti-foane, pentru a preveni pierderea auzului.**
- 3. Purtați ochelari de protecție, cască și mănuși de protecție pentru a vă proteja împotriva resturilor proiectate sau a obiectelor căzătoare.**
- 4. Când atingeți lamele sau la reglarea unghiului lamei, purtați mănuși de protecție.** Lamele pot cauza tăieturi grave dacă nu purtați mănuși de protecție.

Operarea

1. **Folosiți întotdeauna ambele mâini pentru a manevra mașina.** Dacă o folosiți cu o singură mână, puteți pierde controlul și vă puteți accidenta grav.
2. **În timp ce utilizați mașina, asigurați-vă întotdeauna că poziția de operare este sigură și stabilă.** Este extrem de periculos să vă întindeți cu mașina, în special de pe o scară. Nu lucrați de pe suporturi instabile sau lipsite de fermitate.
3. **Nu purtați în același timp mai multe hamuri cu centură și/sau centuri de umăr când utilizați mașina.**
4. **În timpul operării, țineți mașina la o distanță de cel puțin 15 m de persoanele din jur sau de animale.** Oprțiți mașina atunci când o persoană se apropie de dumneavoastră.
5. **Dacă unealta de tăiere se lovește de un obiect sau dacă mașina emite sunete neobișnuite sau vibrează în mod neobișnuit, oprțiți mașina, scoateți cartușul acumulatorului imediat și așteptați ca mașina să ajungă la punctul de oprire.** Apoi, parcurgeți următorii pași:
 - **inspectați pentru a detecta eventuale deteriorări;**
 - **verificați și strângeți eventualele piese slăbite;**
 - **solicitați înlocuirea sau repararea pieselor deteriorate cu piese de schimb originale.**
6. **Utilizați mașina numai în scopul prevăzut. Nu utilizați mașina în alte scopuri.**
7. **Oprțiți mașina și scoateți cartușul acumulatorului înainte de:**
 - **curățare sau când eliminați un blocaj;**
 - **verificare, efectuarea lucrărilor de întreținere sau o intervenție la mașină;**
 - **reglarea poziției de lucru a lamelor de foarfecă;**
 - **a lăsa mașina nesupravegheată.**
8. **Înainte de a porni mașina, asigurați-vă că este așezată corect într-o poziție de lucru stabilă.**
9. **Nu utilizați mașina dacă lamele de foarfecă sunt deteriorate sau foarte uzate.**
10. **Fiiți atenți mereu la ce se întâmplă în jur și la eventualele pericole care ar putea trece neobservate din cauza zgomotului produs de mașină.**
11. **În timpul utilizării, aveți grijă să nu atingeți accidental un gard metalic sau alte obiecte tari.** Lama se va rupe și poate cauza vătămări corporale grave.
12. **Evitați pornirea accidentală. Nu transportați mașina când cartușul acumulatorului este instalat și ținând degetul pe întrerupător. Asigurați-vă că întrerupătorul este oprit atunci când instalați cartușul acumulatorului.**
13. **Nu apucați lamele sau muchiile de tăiere expuse atunci când ridicați sau țineți mașina.**
14. **Nu forțați mașina.** Va funcționa mult mai eficient, iar riscurile de rănire vor fi mult mai reduse, dacă aceasta va opera în condițiile pentru care a fost concepută.
15. **Nu utilizați mașina în condiții de ploaie, umiditate sau de umezeală foarte ridicată.** Motorul electric nu este etanș la apă.
16. **Țineți ferm unealta atunci când o utilizați.**
17. **Nu acționați unealta în gol în mod inutil.**
18. **Înainte de a examina lamele de foarfecă, de a remedia defecțiunile sau de a scoate obiectele străine prinse în lamele de foarfecă, oprțiți întotdeauna mașina și scoateți cartușul acumulatorului.**
19. **Nu îndreptați niciodată lamele de foarfecă spre dumneavoastră sau spre alte persoane.**
20. **Dacă lamele se opresc din cauza blocării unor obiecte străine între acestea în timpul funcționării, oprțiți mașina și scoateți cartușul acumulatorului, iar apoi îndepărtați obiectele străine cu ajutorul unor unelte precum cleștele.** Îndepărtarea manuală a obiectelor străine poate cauza accidente deoarece, ca reacție la îndepărtarea obiectelor străine, lamele s-ar putea mișca.
21. **Când atășați sau scoateți capacul pentru lame, aveți grijă să nu vă răniți mâinile.**

Siguranța electrică și a acumulatorului

1. **Evitați mediile periculoase. Nu utilizați mașina în locații cu umezeală și nu o expuneți la ploaie.** Dacă intră apă în mașină, riscul electrocutării este mai mare.
2. **Nu aruncați acumulatorul(ii) în foc.** Elementul poate exploda. Consultați codurile locale pentru posibile instrucțiuni speciale privind eliminarea.
3. **Nu deschideți și nu dezmembrați acumulatorul(ii).** Electrolitul eliberat este coroziv și poate cauza afecțiuni ale pielii și ochilor. Acesta poate fi toxic dacă este înghițit.
4. **Nu încărcați bateria în ploaie sau în zone cu umezeală.**
5. **Nu încărcați acumulatorul în exterior.**
6. **Nu manipulați încărcătorul, inclusiv fișa și bornele acestuia, cu mâinile ude.**

Întreținere și depozitare

1. **Atunci când mașina este oprită pentru operațiuni de service, inspecție sau depozitare, oprțiți mașina și scoateți cartușul acumulatorului, asigurându-vă că toate piesele aflate în mișcare s-au oprit.** Înainte de a efectua eventuale lucrări de inspecție, reglaje etc., lăsați mașina să se răcească.
2. **Lăsați întotdeauna mașina să se răcească înainte de a o depozita.**
3. **Când nu este în uz, atășați capacul pentru lame la mașină și depozitați mașina în interior, într-un loc uscat, la înălțime și încuiat, astfel încât să nu fie la îndemâna copiilor.**
4. **Întrețineți mașina cu grijă. Păstrați muchia de tăiere ascuțită și curată pentru performanțe optime și pentru reducerea pericolului de rănire. Respectați instrucțiunile de lubrifiere și de schimbare a accesoriilor. Asigurați-vă că mânerul sunt uscate, curate și fără ulei sau unsoare.**

5. Verificați componentele deteriorate. Înainte de a continua utilizarea mașinii, trebuie să verificați cu atenție orice componentă care este deteriorată, pentru a stabili dacă va funcționa în mod corespunzător și își va îndeplini scopul pentru care a fost concepută. Verificați alinierea componentelor mobile, funcționarea liberă a componentelor mobile, starea fizică a componentelor, montarea sau orice altă stare care ar putea afecta operarea acestora. O apărătoare sau orice altă componentă care este deteriorată trebuie să fie reparată în mod corespunzător sau înlocuită de către centrul de service autorizat.
6. Utilizați numai piese de schimb originale.
7. Când mutați mașina într-o altă locație, inclusiv în timpul desfășurării activității, îndepărtați întotdeauna cartușul acumulatorului și montați capacul pentru lame peste lamele de foarfecă. Nu transportați niciodată mașina atunci când lamele sunt în funcțiune. Nu apucați niciodată lamele cu mâinile.
8. După utilizare și înainte de a o depozita pentru o perioadă lungă de timp, curățați mașina și, în special, lamele de foarfecă. Ungeți lamele de foarfecă cu puțin ulei și puneți capacul pentru lame.
9. Nu aruncați acumulatorul(ii) în foc. Elementul poate exploda. Consultați codurile locale pentru instrucțiunile corecte de depunere la deșeuri.
10. Nu deschideți și nu dezmembrați acumulatorul(ii). Electrolitul eliberat este coroziv și poate cauza afecțiuni ale pielii și ochilor. Acesta poate fi toxic dacă este înghițit.
11. Nu încărcați bateria în ploaie sau în zone cu umezeală.

PĂSTRAȚI ACESTE INSTRUCȚIUNI.

⚠️ AVERTIZARE: NU permiteți comodității și familiarizării cu produsul (obținute prin utilizare repetată) să înlocuiască respectarea strictă a normelor de securitate pentru acest produs. FOLOSIREA INCORECTĂ sau nerespectarea normelor de securitate din acest manual de instrucțiuni poate provoca vătămări corporale grave.

DESCRIERE COMPONENTE

- Fig.1: 1. Capacul lamei 2. Mâner de reglare a unghiului 3. Capac 4. Lame de foarfecă 5. Pârghie glisantă 6. Mâner frontal

ASAMBLARE

⚠️ AVERTIZARE: Înainte de asamblarea sau de reglarea echipamentului, opriți motorul și scoateți cartușul acumulatorului. În caz contrar, utilajul ar putea porni brusc și provoca accidente.

⚠️ AVERTIZARE: La asamblarea sau reglarea echipamentului, întotdeauna puneți-l jos. Asamblarea sau reglarea echipamentului într-o poziție verticală poate duce la răni grave.

⚠️ AVERTIZARE: Respectați avertizările și precauțiile din capitolul „AVERTIZĂRI DE SIGURANȚĂ” și manualul de instrucțiuni al unității de acționare.

Asamblarea dispozitivului de atașare

1. Scoateți capacul de pe dispozitivul de atașare.
► Fig.2: 1. Capac
2. Introduceți țeava în dispozitivul de atașare astfel încât orificiul de pe țeavă să fie aliniat cu orificiul de pe dispozitivul de atașare. Strângeți bine mai întâi bolțul scurt și apoi strângeți bolțul lung pentru a fixa țeava.
► Fig.3: 1. Orificiu 2. Țeavă 3. Bolț (scurt) 4. Bolț (lung)

NOTĂ: Atunci când strângeți bolțurile, aplicați un cuplu de strângere de 4,0 - 6,0 N*m.

Montarea țevii de fixare

⚠️ ATENȚIE: Verificați întotdeauna dacă țeava de fixare este strânsă după instalare. O instalare necorespunzătoare poate duce la căderea dispozitivului de atașare de pe unitatea de acționare și la vătămarea corporală.

Montați țeava de fixare pe unitatea de acționare.

1. Scoateți capacul de la capătul țevii.
► Fig.4: 1. Țeavă 2. Capac

NOTĂ: Nu aruncați capacul, deoarece acesta este necesar pentru depozitarea dispozitivului de atașare.

2. Rotiți pârghia spre dispozitivul de atașare.
► Fig.5: 1. Pârghie
3. Aliniați știftul cu marcajul săgeată de pe unitatea de acționare. Introduceți țeava până la deblocarea butonului de eliberare.
Asigurați-vă că linia de poziție este localizată în vârful marcajului săgeată de pe unitatea de acționare și că marcajul săgeată de pe unitatea de acționare și cel de pe țeavă sunt orientate unul către celălalt.
► Fig.6: 1. Buton de eliberare 2. Marcajul săgeată de pe unitatea de acționare 3. Știft 4. Linia de poziționare 5. Marcajul săgeată de pe țeavă
4. Rotiți pârghia spre unitatea de acționare.
► Fig.7: 1. Pârghie

Asigurați-vă că suprafața pârghiei este paralelă cu țeava.

NOTĂ: Nu strângeți pârghia fără ca țeava de fixare să fie introdusă. În caz contrar, pârghia poate strânge excesiv porțiunea de intrare a arborelui motor și o poate deteriora.

Pentru a scoate țeava, rotiți pârghia spre dispozitivul de atașare și trageți țeava în afară în timp ce apăsați butonul de eliberare.

► Fig.8: 1. Buton de eliberare 2. Pârghie 3. Țeavă

Montarea sau demontarea lamelor de foarfecă

⚠ATENȚIE: Atunci când înlocuiți lamele de foarfecă, purtați întotdeauna mănuși, astfel încât mâinile și fața dvs. să nu intre în contact direct cu lamele.

⚠ATENȚIE: Atașați capacul pentru lame înainte de a demonta sau monta lamele de foarfecă.

NOTĂ: La înlocuirea lamelor de foarfecă, nu ștergeți unsoarea de pe pârghie.

NOTĂ: Înainte de a monta sau a demonta lamele de foarfecă, depliați dispozitivul de atașare astfel încât dispozitivul de atașare să fie drept pe țeavă.

1. Atașați capacul pentru lame la lamele de foarfecă.

► Fig.9: 1. Capacul lamei

2. Așezați dispozitivul de atașare cu susul în jos.

3. Scoateți 4 bolțuri cu cheia imbus și scoateți capacul și plăcuța (mare).

► Fig.10: 1. Bolț 2. Capac 3. Plăcuță (mare)

4. Rotiți pârghia cu șurubelnița cu cap crestat, astfel încât pârghia să fie poziționată în direcția indicată în figură.

► Fig.11: 1. Pârghie

5. Scoateți 2 bolțuri.

► Fig.12: 1. Bolț

6. Scoateți talerul de păslă (scurt), talerul de păslă (lung), plăcuța (mică) și manșoanele.

► Fig.13: 1. Taler de păslă (scurt) 2. Taler de păslă (lung) 3. Plăcuță (mică) 4. Manșon

7. Scoateți lamele de foarfecă din dispozitivul de atașare.

► Fig.14

8. Scoateți capacul pentru lame, apoi atașați-l la noile lame de foarfecă.

9. Scoateți apărătoarea de praf din lamele de foarfecă și atașați-o la noile lame de foarfecă, în poziția indicată în figură.

► Fig.15: 1. Apărătoare de praf

10. Introduceți bolțul scos la pasul 5 în orificiul de pe lamele de foarfecă prin orificiul de pe capacul pentru lame.

► Fig.16: 1. Orificiu 2. Bolț

11. Aplicați o cantitate mică de unsoare în zona periferică a pârghiei. Atașați lamele de foarfecă la dispozitivul de atașare.

► Fig.17

12. Atașați manșoanele și plăcuța (mică) la lamele de foarfecă și strângeți bolțul.

► Fig.18: 1. Bolț 2. Plăcuță (mică) 3. Manșon

13. Scoateți bolțul introdus în orificiul de pe lamele de foarfecă la pasul 10 și apoi strângeți-l pentru a fixa lamele de foarfecă.

14. Atașați talerul de păslă (scurt) și talerul de păslă (lung).

► Fig.19: 1. Taler de păslă (scurt) 2. Taler de păslă (lung)

15. Atașați plăcuța (mare) și capacul, apoi strângeți 4 bolțuri.

► Fig.20: 1. Bolț 2. Capac 3. Plăcuță (mare)

NOTĂ: Dacă lamele de foarfecă nu funcționează corect, lamele nu angrenează pârghia în mod corespunzător. Scoateți lamele și remontați-le.

NOTĂ: Dacă alte piese, cu excepția lamelor de foarfecă, cum ar fi pârghia, se uzează, solicitați-centrelor de service autorizate Makita înlocuirea pieselor sau efectuarea de reparații.

DESCRIEREA FUNCȚIILOR

⚠ATENȚIE: Asigurați-vă întotdeauna că mașina este oprită și cartușul acumulatorului este scos înainte de a ajusta sau verifica funcționarea mașinii.

Reglarea unghiului de tăiere

⚠ATENȚIE: Înainte de a regla unghiul de tăiere, asigurați-vă întotdeauna că mașina este oprită.

Unghiul capului poate fi reglat în 13 pași. Pentru a modifica unghiul capului, urmați pașii de mai jos.

1. Țineți mânerul de reglare a unghiului și apoi reglați unghiul capului trăgând în același timp pârghia glisantă și apoi eliberați pârghia glisantă.

► Fig.21: 1. Pârghie glisantă 2. Mâner de reglare a unghiului

2. Deplasați ușor capul până când se blochează cu un clic.

NOTĂ: Înainte de a utiliza mașina, asigurați-vă că ați fixat bine capul.

OPERAREA

⚠️ AVERTIZARE: Respectați avertizările și precauțiile din capitolul „AVERTIZĂRI DE SIGURANȚĂ” și manualul de instrucțiuni al unității de acționare.

Utilizarea mașinii

⚠️ AVERTIZARE: Nu folosiți mașina în apropierea unor linii electrice. Contactul cu liniile electrice sau utilizarea mașinii în apropierea acestora poate provoca vătămări grave sau moarte prin electrocutare.

⚠️ AVERTIZARE: Țineți mâinile la distanță de lamele de foarfecă.

⚠️ AVERTIZARE: Fiți foarte atenți pentru a menține controlul mașinii în orice moment. Nu lăsați mașina să fie deviată spre dumneavoastră sau orice altă persoană din apropierea zonei de lucru. Scăparea de sub control a mașinii poate duce la accidente grave ale operatorului și persoanelor din jur.

⚠️ ATENȚIE: Pe cât posibil, evitați operarea uneltei în condiții de temperatură foarte ridicată. La operarea uneltei, țineți cont de condiția dumneavoastră fizică.

⚠️ ATENȚIE: În timpul tunderii, aveți grijă să nu atingeți accidental un gard metalic sau alte obiecte tari. Lamele de foarfecă se pot rupe și pot produce răni.

⚠️ ATENȚIE: Aveți grijă să nu lăsați lamele de foarfecă să intre în contact cu solul. Unealta poate recula, cauzând răni.

⚠️ ATENȚIE: Întinderea cu o mașină de tuns gardul viu, în special de pe o scară, este extrem de periculoasă. Nu lucrați în timp ce stați pe suporturi instabile sau lipsite de fermitate.

NOTĂ: Nu încercați să tăiați ramuri mai groase de 10 mm cu mașina. Înainte de a utiliza mașina, tăiați crengile la o înălțime cu 10 cm mai mică decât înălțimea de tăiere utilizând un cuțit de crengi.

► Fig.22: (1) Înălțime de tăiere (2) 10 cm

NOTĂ: Nu tăiați copaci uscați sau alte obiecte similare dure. Această acțiune poate deteriora unealta.

NOTĂ: Nu tundeți iarba sau buruienile utilizând lamele de foarfecă. Lamele de foarfecă se pot încălci în iarbă sau în buruieni.

Țineți mașina cu ambele mâini, apucând mânerul frontal al unității de acționare sau mânerul frontal al dispozitivului de atașare și mânerul posterior al unității de acționare.

► Fig.23: 1. Mâner frontal 2. Mâner posterior

Trageți butonul declanșator apăsând în același timp pârghia de deblocare, apoi deplasați mașina în față.

► Fig.24

Ca operație de bază, înclinați lamele de foarfecă spre direcția de tundere și deplasați-le calm și lent la o viteză nominală de 3 – 4 secunde pe metru.

► Fig.25

Pentru a tunde uniform o față a gardului viu, tăiați de jos în sus.

► Fig.26

Când tundeți în scopul de a crea o formă rotunjită (tunderea speciilor de Buxus sau Rododendron etc.), tundeți de la rădăcină spre partea superioară, pentru a obține un finisaj aspectuos.

► Fig.27

ÎNTREȚINERE

⚠️ AVERTIZARE: Înainte de verificarea sau de întreținerea echipamentului, opriți motorul și scoateți cartușul acumulatorului. În caz contrar, utilajul ar putea porni brusc și provoca accidente grave.

⚠️ AVERTIZARE: La inspectarea sau întreținerea echipamentului, puneți-l întotdeauna jos. Asamblarea sau reglarea echipamentului într-o poziție verticală poate duce la răni grave.

⚠️ AVERTIZARE: Respectați avertizările și precauțiile din capitolul „AVERTIZĂRI DE SIGURANȚĂ” și manualul de instrucțiuni al unității de acționare.

⚠️ ATENȚIE: Purtați mănuși atunci când efectuați o inspecție sau activitate de întreținere.

NOTĂ: Nu utilizați niciodată gazolină, benzină, diluant, alcool sau alte substanțe asemănătoare. În caz contrar, pot rezulta decolorări, deformări sau fisuri.

Pentru a menține SIGURANȚA și FIABILITATEA produsului, reparațiile și orice alte lucrări de întreținere sau reglare trebuie executate de centre de service Makita autorizate sau proprii, folosind întotdeauna piese de schimb Makita.

Curățarea uneltei

Curățați unealta ștergând praful cu o lavetă uscată și cu o lavetă umezită cu apă cu săpun și stoarsă.

NOTĂ: Nu utilizați niciodată gazolină, benzină, diluant, alcool sau alte substanțe asemănătoare. În caz contrar, pot rezulta decolorări, deformări sau fisuri.

Întreținerea lamelor de foarfecă

Înainte de utilizare, sau o dată pe oră în timpul operării, aplicați ulei cu vâscozitate redusă (ulei de mașină sau ulei de lubrifiere cu aplicare prin pulverizare) pe lamele de foarfecă.

► Fig.28

După utilizare, eliminați praful de pe ambele părți ale lamelor de foarfecă cu o perie din sârmă, ștergeți-le cu o lavetă și apoi aplicați ulei cu vâscozitate redusă (ulei de mașină sau ulei de lubrifiere cu aplicare prin pulverizare) pe lamele de foarfecă.

► Fig.29

NOTĂ: Nu spălați lamele de foarfecă în apă. În caz contrar, unealta poate fi deteriorată sau poate rugini.

NOTĂ: Murdăria și coroziunea pot cauza o frecțiune excesivă a lamei și pot scurta timpul de operare între încărcările acumulatorului.

Depozitare

Atașați capacul pentru lame pe lamele de foarfecă, astfel încât lamele să nu fie expuse. Depozitați unealta departe de raza de acțiune a copiilor. Depozitați unealta într-un loc care nu este expus la umezeală sau ploaie. Când depozitați dispozitivul de atașare separat de unitatea de acționare, puneți capacul pe capătul țevii.

► Fig.30

Lubrifierea pieselor în mișcare

NOTĂ: Urmați instrucțiunile pentru frecvența și cantitatea de unsoare furnizate. În caz contrar, lubrifierea insuficientă poate deteriora componentele în mișcare.

Axa motoare:

Aplicați vaselină (vaselină Makita N No.2 sau echivalent) la fiecare 30 de ore de funcționare.

► Fig.31

NOTĂ: Vaselina Makita originală poate fi achiziționată de la distribuitorul dumneavoastră Makita local.

Lubrifiere cu unsoare

Interval de lubrifiere: La fiecare 25 ore de funcționare

1. Scoateți bolțul din orificiul pentru lubrifiere.

► Fig.32: 1. Bolț

2. Scoateți capacul recipientului cu unsoare. Aliniați orificiul de evacuare al recipientului cu unsoare cu orificiul de pe capac, iar apoi rotiți recipientul cu unsoare pentru a atașa orificiul de evacuare al recipientului cu unsoare pe orificiu.

► Fig.33: 1. Recipient cu unsoare 2. Orificiu

3. Aplicați unsoare pe unealtă (Aproximativ 3 g ca indicație).

4. Îndepărtați recipientul cu unsoare.

5. Strângeți bolțul.

Ascuțirea lamelor de foarfecă

NOTĂ: Dacă lamele de foarfecă s-au deformat considerabil prin ascuțire, înlocuiți-le cu un set nou.

1. Montați cartușul acumulatorului pe unealtă.

2. Porniți unealta astfel încât lama superioară și lama inferioară să fie poziționate alternativ.

► Fig.34

3. Deconectați sursa de alimentare și scoateți cartușul acumulatorului din unealtă.

4. Reglați unghiul pilei la 45° și ascuțiți lama superioară din 3 direcții cu pila.

► Fig.35: (1) Pila (2) 45°

ATENȚIE: Înainte de ascuțirea lamelor de foarfecă, asigurați-vă întotdeauna că unealta este oprită și cartușul acumulatorului este scos.

5. Așezați unealta cu partea de jos în sus, apoi îndepărtați impuritățile vegetale de pe lamele de foarfecă cu piatra de rectificat.

► Fig.36: 1. Piatră de rectificat

6. Reglați unghiul pilei la 45° și ascuțiți lama inferioară din 3 direcții cu pila.

7. Așezați unealta în poziție normală, apoi îndepărtați impuritățile vegetale de pe lamele de foarfecă cu piatra de rectificat.

DEPANARE

Înainte de a solicita reparații, efectuați mai întâi propria inspecție. În cazul în care găsiți o problemă care nu este explicată în manual, nu încercați să demontați echipamentul. În schimb, adresați-vă Centrelor de service autorizate Makita, utilizând întotdeauna piese de schimb Makita pentru reparații.

Stare de anormalitate	Cauză probabilă (defecțiuni)	Remediu
Motorul nu pornește.	-	Consultați manualul de instrucțiuni al unității de acționare.
Motorul se oprește imediat.	-	Consultați manualul de instrucțiuni al unității de acționare.
Turația motorului nu crește.	-	Consultați manualul de instrucțiuni al unității de acționare.
Lamele de foarfecă nu se mișcă: ⇒ opriți imediat mașina!	Obiecte străine sunt prinse între lamele de foarfecă.	Opriți mașina și scoateți cartușul acumulatorului, apoi îndepărtați obiectele străine cu ajutorul unor unelte precum cleștii.
	Sistemul de acționare nu funcționează corect.	Solicitați centrului de service autorizat local efectuarea reparațiilor.
Vibrații anormale: ⇒ opriți imediat mașina!	Lamele de foarfecă sunt rupte, îndoite sau uzate.	Înlocuiți lamele de foarfecă.
	Sistemul de acționare nu funcționează corect.	Solicitați centrului de service autorizat local efectuarea reparațiilor.
Lamele de foarfecă și motorul nu se opresc: ⇒ Scoateți imediat acumulatorul!	Defecțiune electrică.	Scoateți acumulatorul și solicitați reparații din partea centrului de service autorizat local.

ACCESORII OPȚIONALE

⚠ ATENȚIE: Folosiți accesoriile sau piesele auxiliare recomandate pentru mașina dumneavoastră Makita în acest manual. Utilizarea altor accesorii sau piese auxiliare poate prezenta risc de accidentări. Utilizați accesoriile sau piesele auxiliare numai în scopul destinat.

Dacă aveți nevoie de asistență sau de mai multe detalii referitoare la aceste accesorii, adresați-vă centrului local de service Makita.

- Ansamblu lame de foarfecă
- Recipient cu unsoare
- Acumulator și încărcător original Makita

NOTĂ: Unele articole din listă pot fi incluse ca accesorii standard în ambalajul produsului. Acestea pot diferi în funcție de țară.

ТЕХНІЧНІ ХАРАКТЕРИСТИКИ

Модель:	EN402MP
Довжина полотна	500 мм
Загальна довжина	1444 мм
Маса нетто	2,4 кг

- Оскільки наша програма наукових досліджень і розробок триває безперервно, наведені тут технічні характеристики можуть бути змінені без попередження.
- У різних країнах технічні характеристики можуть бути різними.

Схвалений приводний інструмент

Цю насадку схвалено для використання з такими приводними інструментами:

- Акумуляторний багатофункціональний приводний інструмент DUX60
- Акумуляторний багатофункціональний приводний інструмент DUX18
- Акумуляторний багатофункціональний приводний інструмент UX01G

⚠ ПОПЕРЕДЖЕННЯ: Заборонено використовувати насадку з приводним інструментом, який не було схвалено. Використання комбінації пристроїв, яку не було схвалено, може призвести до серйозних травм.

Символи

Далі наведено символи, які можуть застосовуватися для позначення обладнання. Перед користуванням переконайтеся, що ви розумієте їхнє значення.



Прочитайте посібник з експлуатації та дотримуйтеся наведених у ньому вказівок.



НЕБЕЗПЕЧНО! Тримайте руки на безпечній відстані від леза.



Обережно: електричні дроти. Ризик ураження електричним струмом.



Надягайте каску, засоби захисту органів зору та слуху.



Надягайте захисні рукавиці.



Надягайте міцне взуття із підшвами, що не ковзають.



Сторонні особи та тварини не повинні наближатися до електроінструмента на відстань менше 15 м (50 футів).



Слідкуйте, щоб на робочій ділянці не було людей та домашніх тварин.



Гарантований рівень звукової потужності відповідно до Директиви ЄС щодо шумів поза приміщеннями.



Рівень звукової потужності відповідно до Регламенту Австралії (Новий Південний Уельс) з контролю за шумом

Призначення

Ця насадка призначена лише для підстригання живої плоти в поєднанні зі схваленим приводним інструментом. Заборонено використовувати насадку для інших задач. Неналежне використання насадки може призвести до тяжких травм.

Декларація про відповідність стандартам ЄС

Тільки для країн Європи

Ми, виробники цього обладнання: компанія **Makita Europe N.V.**, юридична адреса: **Jan-Baptist Vinkstraat 2 3070 Kortenberg BELGIUM** (Бельгія), уповноважуємо **Хіроши Цудзимуру (Hiroshi Tsujimura)** скласти технічну документацію та під свою виключну відповідальність заявляємо про те, що виріб;

Позначення: **пила для підрізування живої плоти. Моделі: EN402MP.**

Відповідає усім застосовним вимогам директиви **2006/42/EC**, а також відповідає усім застосовним вимогам таких директив ЄС, як **2000/14/EC**, і виробляється згідно з такими гармонізованими стандартами: **EN62841-1:2015, EN 62841-4-2:2019, EN ISO 11806-1:2011.**

Місце й дата декларації: **Kortenberg, Belgium (Бельгія). 20. 12. 2022**

Відповідальна особа: **Хіроши Цудзимура (Hiroshi Tsujimura), директор компанії Makita Europe N.V.**

ПОПЕРЕДЖЕННЯ ПРО ДОТРИМАННЯ ТЕХНІКИ БЕЗПЕКИ

Попередження про техніку безпеки під час роботи з акумуляторною штанговою пилою для підрізання живоплоту

1. Тримайтеся подалі від леза. Не видаляйте зрізаний матеріал і не притримуйте матеріал, який ви хочете зрізати, під час руху лез. Леза продовжують рухатися після вимкнення вимикача. Одна мить необережності під час роботи з пилою для підрізання живоплоту може призвести до важкої травми.
2. Переносьте пилу для підрізання живоплоту за ручку після повної зупинки леза та будьте обережні, щоб не натиснути вимикач живлення. Дотримання правил техніки безпеки під час перенесення пили для підрізання живоплоту знизить ризик випадкового пуску й отримання травм від лез.
3. Під час транспортування або зберігання пили для підрізання живоплоту встановлюйте чохол на леза. Поводження з пилою для підрізання живоплоту з дотриманням правил техніки безпеки знизить ризик отримання травм від лез.
4. Під час видалення застряглих обрізків або обслуговування інструмента переконайтеся в тому, що всі вимикачі живлення вимкнені, блок акумулятора вийнято або від'єднано. Несподіване ввімкнення пили для підрізання живоплоту під час видалення застряглих предметів або обслуговування може призвести до важких травм.
5. Тримайте пилу для підрізання живоплоту тільки за спеціальні ізольовані поверхні, оскільки лезо може зачепити приховану електропроводку. Торкання лезом дроту під напругою може призвести до передавання напруги до оголених металевих частин пили для підрізання живоплоту та до ураження оператора електричним струмом.
6. Тримайте всі шнури живлення та кабелі подалі від місця зрізання. Шнури живлення або кабелі можуть бути сховані в живоплотах або кущах і можуть бути випадково розрізані лезом.
7. Не використовуйте пилу для підрізання живоплоту за поганих погодних умов, особливо коли є ризик виникнення грозового розряду. Це зменшує ризик ураження блискавкою.
8. Щоб зменшити ризик ураження електричним струмом, заборонено використовувати пилу для підрізання живоплоту поблизу ліній електропередач. Контакт із лініями електропередач або використання пристрою поблизу них може призвести до важких травм або ураження електричним струмом із летальним результатом.

9. Під час роботи пилю для підрізання живоплоту слід тримати двома руками. Тримайте пилу для підрізання живоплоту двома руками, щоб не допустити втрати контролю.
10. Під час роботи з пилою для підрізання живоплоту над головою використовуйте засоби захисту голови. Уламки, що падають, можуть призвести до важких травм.

Додаткові інструкції з техніки безпеки

Підготовка

1. ЦЯ ПИЛА ДЛЯ ПІДРІЗАННЯ ЖИВОПЛОТУ МОЖЕ ЗАВДАТИ ВАЖКИХ ТРАВМ. Уважно прочитайте інструкції з експлуатації, підготовки, технічного обслуговування, запуску й зупинки інструмента. Ознайомтеся з усіма елементами керування й правилами належного використання інструмента.
2. Перед початком робіт з інструментом перевіряйте живопліт і куші на наявність сторонніх предметів, як-от дротяні загорожі чи прихована електропроводка.
3. Дітям і підліткам молодшим 18 років забороняється користуватися пилою. Цю заборону може бути знято з молодих людей віком понад 16 років під час проходження практики під наглядом майстра.
4. У разі надзвичайної ситуації негайно вимкніть інструмент і вийміть касету з акумулятором.
5. НЕБЕЗПЕЧНО - Тримайте руки подалі від ножового полотна. Контакт із полотном призведе до серйозної травми.
6. У разі використання інструмента користувачами-початківцями досвідчений користувач має показати, як правильно працювати з інструментом.
7. Перед початком роботи перевірте робочу ділянку на наявність дротяних загорож, каміння або інших твердих предметів. Вони можуть пошкодити леза.
8. Працювати з пилою можна, лише якщо ви в хорошому фізичному стані. Якщо ви втомлені, ваша увага знижена. Будьте особливо обережними наприкінці робочого дня. Усю роботу виконуйте спокійно та обережно. Користувач несе відповідальність за будь-яку шкоду, завдану іншим особам.
9. Перед початком роботи перевірте, чи справна пила та чи в належному вона робочому стані. Перевірте, чи правильно закріплені запобіжні деталі корпусу. Пилу для підрізання живоплоту можна використовувати тільки в повністю зібраному стані.
10. Не працюйте з інструментом у небезпечних умовах. Не користуйтеся інструментом у вологих або мокрих місцях і не допускайте його знаходження під дощем. У випадку потрапляння води в інструмент зростає ризик ураження електричним струмом.

Засоби індивідуального захисту

1. Робочі рукавиці з міцної гуми входять до набору обладнання пили; обов'язково вдягайте їх під час роботи з нею. Взуття має бути міцним, із підшваами, що не ковзають.
2. Щоб запобігти втраті слуху, користуйтеся засобами захисту органів слуху, наприклад навушниками.
3. Щоб захистити себе від уламків, що розлітаються, або предметів, що падають, користуйтеся засобами захисту очей, шоломом і захисними рукавичками.
4. Коли торкається лез або регулюєте кут лева, користуйтеся захисними рукавицями. Незахищені руки можна сильно поранити лезами.

Робота

1. Під час роботи інструмент слід утримувати двома руками. Утримання інструмента одною рукою може призвести до втрати контролю й важкої травми.
2. Під час роботи з інструментом завжди контролюйте, щоб робоче положення було безпечним і надійним. Не дотягуйте до віддалених зон, коли працюєте з інструментом, особливо стоячи на драбині: це надзвичайно небезпечно. Під час роботи не стійте на нестійкій або неміцній поверхні.
3. Під час роботи з інструментом не використовуйте одночасно кілька ременів та / або плечових ременів.
4. Під час роботи сторонні особи і тварини мають перебувати на відстані щонайменше 15 м від інструмента. У разі наближення будь-якої особи або тварини негайно вимкніть інструмент.
5. Якщо різальний інструмент вдариться об який-небудь предмет або в разі виникнення ненормального шуму або вібрації в інструменті, вимкніть інструмент, негайно витягніть касету з акумулятором і зачекайте, доки інструмент зупиниться. Після цього зробіть наступні кроки:
 - огляньте інструмент на предмет пошкодження;
 - перевірте на наявність незакріплених деталей і затягніть їх;
 - замініть пошкоджені деталі на оригінальні або відремонтуйте їх.
6. Використовуйте інструмент лише за призначенням. Не використовуйте інструмент для будь-яких інших цілей.
7. Вимикайте інструмент і виймайте касету з акумулятором перед такими процедурами:
 - очищення або усунення засмічення;
 - перевірка, виконання технічного обслуговування або робота з інструментом;
 - регулювання робочого положення лез секатора;
 - коли залишаєте інструмент без нагляду.
8. Перед запуском переконайтеся в тому, що інструмент розташовано правильно в належному положенні.

9. Не використовуйте інструмент із пошкодженнями або надмірно зношеними лезами секатора.
10. Завжди контролюйте навколишню ситуацію й будьте пильні щодо можливих небезпек, про які ви можете не знати через шум інструмента.
11. Будьте обережні: не допускайте випадкового контакту з металом або іншими твердими предметами під час роботи. Лезо зламається й може спричинити важкі травми.
12. Не допускайте випадкового запуску. Не переносьте інструмент з установленою в нього касетою з акумулятором і поклавши палець на перемикач. Під час установки касети з акумулятором переконайтеся в тому, що вимикач вимкнений.
13. Піднімаючи інструмент або тримаючи його, не торкайтеся відкритих різальних пластин або різальної кромки.
14. Не прикладайте силу до інструмента. Він працюватиме краще та з меншою ймовірністю нанесення травм під час роботи на швидкості, на яку його розраховано.
15. Не використовуйте інструмент під час дощу або за умов високої вологості чи вогкості. Електричний двигун не є водостійким.
16. Під час роботи міцно тримайте інструмент.
17. Без потреби не допускайте, щоб інструмент працював без навантаження.
18. Перед перевіркою лез секатора, усуненням поломок чи видаленням сторонніх предметів, які застрягли в лезах секатора, завжди вимикайте інструмент і виймайте касету з акумулятором.
19. Ніколи не направляйте леза секатора на себе або інших людей.
20. Якщо під час роботи ножі зупиняються внаслідок потрапляння між ними сторонніх предметів, вимкніть інструмент і витягніть касету з акумулятором, після чого видаліть сторонні предмети, наприклад, плоскогубцями. Видалення сторонніх предметів руками пов'язане з ризиком травмування, оскільки під час видалення сторонніх предметів ножі можуть зміститися.
21. Під час надягання чи зняття кожуха лева будьте уважні, щоб не травмувати свої руки.

Електробезпека й техніка безпеки під час роботи з акумулятором

1. Уникайте чинників небезпеки. Не користуйтеся інструментом у вологих або мокрих місцях і не допускайте його знаходження під дощем. У разі потрапляння води в інструмент зростає ризик ураження електричним струмом.
2. Не спалюйте акумулятори. Акумулятор може вибухнути. Ознайомтеся з місцевими законами, які можуть містити спеціальні інструкції щодо утилізації відходів.
3. Не відкривайте й не деформуйте акумулятори. Електроліт є їдкою речовиною, тому в разі контакту зі шкірою або очима може завдати травму. У разі проковтування він може бути токсичним.

4. Не заряджайте акумулятор під дощем або в місцях із підвищеною вологістю.
5. Перезаряджайте акумулятор тільки в приміщенні.
6. Не торкайтеся зарядного пристрою, а також штекера й контактів зарядного пристрою вологими руками.

Технічне обслуговування й зберігання

1. У разі зупинки інструмента для обслуговування, перевірки або для зберігання вимкніть інструмент, вийміть касету з акумулятором і переконайтеся в тому, що всі рухомі частини зупинилися. Дайте інструменту охолонути, перш ніж виконувати перевірки, налаштування тощо.
2. Перед тим як ставити інструмент на зберігання, дайте йому охолонути.
3. Коли інструмент не використовується, вдягайте чохол на леза інструмента й зберігайте інструмент у сухому замкненому місці на висоті поза зоною досяжності дітей.
4. Будьте обережні під час технічного обслуговування інструмента. Різальний край повинен завжди бути заточеним і чистим для забезпечення максимально ефективної роботи й уникнення травм. Дотримуйтеся інструкцій щодо змащення й заміни додаткового приладдя. Ручки мають бути сухими, чистими, вони не повинні бути забрудненими мастилом або жиром.
5. Перевірте елементи на предмет пошкодження. Перш ніж продовжувати використання інструмента, слід перевірити пошкоджену деталь, щоб переконатися в тому, що вона може й далі виконувати свої функції належним чином. Переконайтеся в співвідношенні, відсутності пошкодження рухомих деталей, надійності кріплення й відсутності інших дефектів, які можуть вплинути на роботу інструмента. Ремонтувати або замінювати пошкоджені деталі або захисний кожух повинні спеціалісти авторизованого сервісного центру.
6. Використовуйте лише оригінальні запчастини.
7. Під час переміщення інструмента в інше місце, зокрема під час роботи, завжди знімайте касету з акумулятором і встановлюйте чохол на лезо секатора. Заборонено переносити й перевозити інструмент для підрізання живоплуту з лезами, що рухаються. Заборонено торкатися руками лез.
8. Очищуйте інструмент і особливо леза секатора після використання, а також перед тривалим зберіганням. Нанесіть невелику кількість мастила на леза секатора та вдягніть чохол.
9. Не спалюйте акумулятор(и). Акумулятор може вибухнути. Ознайомтеся з місцевими законами на предмет можливих спеціальних інструкцій з утилізації відходів.
10. Не відкривайте та не деформуйте акумулятор(и). Пролитий електроліт є роз'їдаючою речовиною, тому може нанести травму при контакті зі шкірою або очима. При проковтуванні може бути токсичним.

11. Не заряджайте акумулятор під дощем або в місцях із підвищеною вологістю.

ЗБЕРІГАЙТЕ ЦІ ВКАЗІВКИ.

▲ПОПЕРЕДЖЕННЯ: НИКОЛИ НЕ втрачайте пильності та не розслабляйтеся під час користування виробом (що можливо при частому використанні); обов'язково строго дотримуйтеся відповідних правил безпеки. **НЕНАЛЕЖНЕ ВИКОРИСТАННЯ** або недотримання правил техніки безпеки, викладених у цій інструкції з експлуатації, може призвести до серйозних травм.

ОПИС ДЕТАЛЕЙ

- Рис.1: 1. Кожух пили 2. Рукотка регулювання кута 3. Ковпачок 4. Леза секатора 5. Пересувний важіль 6. Передня ручка

ЗБОРКА

▲ПОПЕРЕДЖЕННЯ: Перед збиранням або регулюванням обладнання вимкніть двигун і витягніть касету з акумулятором. У разі недотримання цієї вимоги машина може випадково ввімкнутися, що може призвести до травмування.

▲ПОПЕРЕДЖЕННЯ: Обов'язково кладіть обладнання на горизонтальну поверхню перед збиранням або регулюванням. Збирання або регулювання обладнання у вертикальному положенні може призвести до серйозної травми.

▲ПОПЕРЕДЖЕННЯ: Дотримуйтеся попереджень і застережень, наведених у розділі «ПОПЕРЕДЖЕННЯ ПРО НЕОБХІДНІСТЬ ДОТРИМАННЯ ТЕХНІКИ БЕЗПЕКИ» та посібнику з експлуатації приводного інструмента.

Збирання насадки

1. Зніміть ковпачок із насадки.

► Рис.2: 1. Ковпачок

2. Перевірте трубку в насадці й упевніться, що отвір трубки суміщений з отвором насадки. Надійно затягніть спершу короткий болт, а потім довгий болт, щоб зафіксувати трубу.

► Рис.3: 1. Отвір 2. Трубка 3. Болт (короткий) 4. Болт (довгий)

ПРИМІТКА: Затягніть болти з крутним моментом 4,0–6,0 Н•м.

Монтаж трубки-насадки

⚠ ОБЕРЕЖНО: Завжди перевіряйте надійність закріплення трубки насадки після її встановлення. Неналежне встановлення може призвести до падіння насадки з приводного інструмента й травм.

Монтаж трубки-насадки на приводний блок.

1. Зніміть ковпачок з кінця трубки.

► **Рис.4:** 1. Трубка 2. Ковпачок

УВАГА: Не викидайте ковпачок – він знадобиться для зберігання насадки.

2. Натисніть на важіль у бік насадки.

► **Рис.5:** 1. Важіль

3. Сумістіть штифт зі стрілкою на приводному агрегаті. Вставте трубку таким чином, щоб піднялася кнопка розблокування.

Переконайтеся в тому, що лінія положення суміщена з кінцем мітки у вигляді стрілки на приводному агрегаті, а мітка у вигляді стрілки на приводному агрегаті й мітка на трубі розташовані одна навпроти іншої.

► **Рис.6:** 1. Кнопка розблокування 2. Мітка у вигляді стрілки на приводному агрегаті 3. Штифт 4. Лінія позиціонування 5. Мітка у вигляді стрілки на трубі

4. Поверніть важіль у бік приводного інструмента.

► **Рис.7:** 1. Важіль

Поверхня важеля має бути розташована паралельно трубці.

УВАГА: Не затягуйте важіль, якщо трубку насадки не вставлено. Інакше важіль може занадто сильно стиснути вхідний отвір приводного вала й пошкодити його.

Щоб зняти трубку, поверніть важіль у бік насадки й витягніть трубку, одночасно натискаючи на кнопку розблокування.

► **Рис.8:** 1. Кнопка розблокування 2. Важіль 3. Трубка

Встановлення та зняття лез секатора

⚠ ОБЕРЕЖНО: Для заміни лез секатора завжди надягайте рукавиці, щоб уникнути прямого контакту рук із лезами.

⚠ ОБЕРЕЖНО: Установіть кришку перед зняттям чи встановленням ножового полотна.

УВАГА: Під час заміни лез секатора не витирайте мастило з кривошипного механізму.

ПРИМІТКА: Перш ніж установлювати чи знімати леза секатора, розкладіть насадку, щоб вона розташувалася прямо відносно труби.

1. Установіть кожух пили на ножове полотно.

► **Рис.9:** 1. Кожух пили

2. Помістіть насадку нижньою частиною догори.

3. Вийміть 4 болти гайковим ключем і зніміть ковпачок і пластину (велику).

► **Рис.10:** 1. Болт 2. Кришка 3. Пластина (велика)

4. Поверніть кривошипний механізм за допомогою шліцьової викрутки, щоб він розташувався за напрямком, показаним на рисунку.

► **Рис.11:** 1. Кривошипний механізм

5. Вийміть 2 болти.

► **Рис.12:** 1. Болт

6. Вийміть повстяну підкладку (коротку), повстяну підкладку (довгу), пластину (малу) і муфти.

► **Рис.13:** 1. Повстяна підкладка (коротка)

2. Повстяна підкладка (довга)

3. Пластина (мала) 4. Муфта

7. Зніміть леза секатора з насадки.

► **Рис.14**

8. Зніміть чохол леза та встановіть його на нові леза секатора.

9. Зніміть пилозахисний кожух із лез секатора й закріпіть його на нових лезах секатора в положенні, показаному на рисунку.

► **Рис.15:** 1. Пилозахисний кожух

10. Вставте болт, витягнутий на кроці 5, в отвір на лезах секатора крізь отвір на кожусі полотна леза.

► **Рис.16:** 1. Отвір 2. Болт

11. Змастіть краї кривошипного механізму невеликою кількістю мастила. Прикріпіть леза секатора до насадки.

► **Рис.17**

12. Прикріпіть муфти й пластину (малу) до лез секатора, а потім затягніть болт.

► **Рис.18:** 1. Болт 2. Пластина (мала) 3. Муфта

13. Вийміть болт, вставлений в отвір на лезах секатора під час кроку 10, а потім затягніть його, щоб зафіксувати леза секатора.

14. Прикріпіть повстяну підкладку (коротку) і повстяну підкладку (довгу).

► **Рис.19:** 1. Повстяна підкладка (коротка)

2. Повстяна підкладка (довга)

15. Прикріпіть пластину (велику) й кришку, а потім затягніть 4 болти.

► **Рис.20:** 1. Болт 2. Кришка 3. Пластина (велика)

УВАГА: Якщо ножове полотно не працює відповідним чином, це означає, що його не з'єднано як слід із кривошипним механізмом. Зніміть полотно й установіть його знову.

УВАГА: У разі зношення будь-яких деталей інструмента (крім лез секатора), наприклад кривошипа, зверніться до авторизованого сервісного центру Makita, щоб їх замінити або відремонтувати.

ОПИС РОБОТИ

▲ОБЕРЕЖНО: Обов'язково переконайтеся, що прилад вимкнено, а касету з акумулятором знято, перед регулюванням або перевіркою функціонування інструмента.

Порядок регулювання кута різання

▲ОБЕРЕЖНО: Перед регулюванням кута різання переконайтеся, що інструмент вимкнено.

Кут головки можна відрегулювати в межах 13 положень. Для зміни кута головки виконайте вказані далі дії.

1. Утримуйте рукоятку регулювання кута й відрегулюйте кут головки, потягнувши пересувний важіль та відпустивши його в потрібному положенні.

► **Рис.21:** 1. Пересувний важіль 2. Рукоятка регулювання кута

2. Злегка посуňte головку, поки вона не зафіксується з клацанням.

ПРИМІТКА: Перед увімкненням інструмента переконайтеся в тому, що головка надійно зафіксована.

РОБОТА

▲ПОПЕРЕДЖЕННЯ: Дотримуйтеся попереджень і застережень, наведених у розділі «ПОПЕРЕДЖЕННЯ ПРО НЕОБХІДНІСТЬ ДОТРИМАННЯ ТЕХНІКИ БЕЗПЕКИ» та посібнику з експлуатації приводного інструмента.

Експлуатація інструмента

▲ПОПЕРЕДЖЕННЯ: Не використовуйте інструмент поблизу ліній електропередач. Контакт із лініями електропередач або використання пристрою поблизу них може призвести до важких травм або ураження електричним струмом із летальним результатом.

▲ПОПЕРЕДЖЕННЯ: Тримайте руки на відстані від лез секатора.

▲ПОПЕРЕДЖЕННЯ: Будьте надзвичайно обережні й постійно зберігайте контроль над інструментом. Не дозволяйте інструменту відхилитися у ваш бік або в бік інших осіб, що знаходяться поблизу місця роботи. Через втрату контролю над інструментом оператор та інші особи можуть отримати серйозні травми.

▲ОБЕРЕЖНО: Якнайменше використовуйте інструмент у спекотну погоду. Під час використання інструмента стежте за своїм фізичним станом.

▲ОБЕРЕЖНО: Будьте обережні: не допускайте випадкового контакту з металом або іншими твердими предметами під час підрізання. Леза секатора можуть зламатися та спричинити травму.

▲ОБЕРЕЖНО: Уникайте контакту ножового полотна із землею. Інструмент може відскочити та спричинити травму.

▲ОБЕРЕЖНО: Не дотягуйте до віддалених зон, коли працюєте з пилою, особливо стоячи на драбині: це надзвичайно небезпечно. Під час роботи не стійте на нестійкій або неміцній поверхні.

УВАГА: Не намагайтеся зрізати пилою гілки, товстіші за 10 мм у діаметрі. Перш ніж скористатися цим інструментом, підріжте гілки на 10 см нижче висоти різання за допомогою садових ножиць.

► **Рис.22:** (1) Висота різання (2) 10 см

УВАГА: Не зрізуйте засохлі дерева чи інші подібні тверді предмети. Це може призвести до виходу інструмента з ладу.

УВАГА: Не підрізайте траву чи бур'ян цими лезами секатора. Леза секатора можуть залплатися в траві чи бур'яні.

Тримайте інструмент обома руками, тримаючись за передню ручку приводного інструмента чи передню ручку насадки та задню ручку приводного інструмента.

► **Рис.23:** 1. Передня ручка 2. Задня ручка

Потягніть курок вмикача, натискаючи при цьому важіль блокування вимкненого положення, а потім рухайте інструмент уперед.

► **Рис.24**

Для роботи у звичайному режимі нахиліть леза секатора в напрямку різання, плавно й повільно рухайте інструмент в напрямку різання зі швидкістю один метр за 3 – 4 секунди.

► **Рис.25**

Щоб рівномірно підрізати бокову частину живоплоту, підріжуйте в напрямку знизу вгору.

► **Рис.26**

Щоб досягти гарного результату у створенні круглої форми (наприклад, у роботі з самшитом чи рододендроном), підріжуйте в напрямку від коріння до верхини.

► **Рис.27**

ТЕХНІЧНЕ ОБСЛУГОВУВАННЯ

▲ ПОПЕРЕДЖЕННЯ: Перед оглядом або технічним обслуговуванням обладнання вимкніть двигун і зніміть касету з акумулятором. У разі недотримання цієї вимоги машина може випадково запуститися й спричинити тяжкі травми.

▲ ПОПЕРЕДЖЕННЯ: Обов'язково кладіть обладнання на горизонтальну поверхню перед оглядом або технічним обслуговуванням. Збирання або регулювання обладнання у вертикальному положенні може призвести до серйозної травми.

▲ ПОПЕРЕДЖЕННЯ: Дотримуйтеся попереджень і застережень, наведених у розділі «ПОПЕРЕДЖЕННЯ ПРО НЕОБХІДНІСТЬ ДОТРИМАННЯ ТЕХНІКИ БЕЗПЕКИ» та посібнику з експлуатації приводного інструмента.

▲ ОБЕРЕЖНО: Під час огляду або проведення технічного обслуговування одягайте рукавиці.

УВАГА: Ніколи не використовуйте газолін, бензин, розріджувач, спирт та подібні речовини. Їх використання може призвести до зміни кольору, деформації або появи тріщин.

Для забезпечення БЕЗПЕКИ та НАДІЙНОСТІ продукції, її ремонт, а також роботи з обслуговування або регулювання повинні виконуватися уповноваженими або заводськими сервісними центрами Makita із використанням запчастин виробництва компанії Makita.

Очищення інструмента

Щоб очистити інструмент, протріть на ньому пил сухою тканиною або занурте його в мильну воду та вийміть звідти.

УВАГА: Ніколи не використовуйте газолін, бензин, розріджувач, спирт та подібні речовини. Їх використання може призвести до зміни кольору, деформації або появи тріщин.

Технічне обслуговування леза секатора

Перед роботою чи щогодини під час роботи змащуйте леза секатора мастилом із низькою в'язкістю (наприклад, машинне мастило чи змащувальний матеріал, що розпиляється).

► Рис.28

Після роботи слід видалити пил з обох боків лез секатора за допомогою дряпної щітки, протерти їх тканиною, після чого нанести мастило з низькою в'язкістю (наприклад, машинне мастило чи змащувальний матеріал, що розпиляється).

► Рис.29

УВАГА: Не мийте леза секатора водою. Це може призвести до утворення іржі та пошкодження інструмента.

УВАГА: Бруд і корозія спричиняють надмірне тертя нового полотна та скорочують час роботи після кожного циклу заряджання акумулятора.

Зберігання

Установіть кришку на ножове полотно так, щоб закрити його. Зберігайте інструмент у недоступному для дітей місці. Зберігайте інструмент у місці, що не зазнає впливу вологи та дощу. Якщо насадка зберігається окремо від приводного інструмента, закривайте кінець труби ковпачком.

► Рис.30

Змащування деталей, що рухаються

УВАГА: Виконуйте інструкції щодо періодичності й обсягу застосування консистентного мастила. У разі невиконання цієї вимоги недостатнє змащування може призвести до пошкодження рухомих деталей.

Ведуча вісь

Наносіть мастило (мастило Makita N No.2 або аналогічне) кожні 30 годин роботи.

► Рис.31

ПРИМІТКА: Оригінальне мастило Makita можна придбати в дилера компанії Makita.

Змащування консистентним мастилом

Інтервал змащування: кожні 25 години роботи

1. Вийміть болт з отвору для змащення.

► Рис.32: 1. Болт

2. Зніміть ковпачок із тубика з мастилом. Сумістіть вихідний отвір тубика з мастилом з отвором у кришці та поверніть тубик із мастилом, щоб вкрутити вихідний отвір тубика з мастилом в отвір.

► Рис.33: 1. Резервуар для мастила 2. Отвір

3. Нанесіть мастило на інструмент (приблизно 3 г).

4. Зніміть резервуар для мастила.

5. Затягніть болт.

Заточування лез секатора

УВАГА: Якщо леза секатора було сильно деформовано під час заточування, замініть їх новими.

1. Установіть касету з акумулятором в інструмент.

2. Увімкніть і запустіть інструмент, щоб верхнє та нижнє леза розташувалися у розбїг.

► Рис.34

3. Вимкніть інструмент і витягніть з нього касету з акумулятором.

4. Тримавши напилек під кутом 45° і рухаючи ним у 3 напрямках, заточіть верхнє лезо.

► **Рис.35:** (1) Напилек (2) 45°

⚠ ОБЕРЕЖНО: Перед заточуванням лез переконайтеся в тому, що інструмент вимкнено й касету з акумулятором витягнуто з інструмента.

5. Переверніть інструмент і видаліть задирки з лез секатора точильним каменем.

► **Рис.36:** 1. Точильний камінь

6. Тримавши напилек під кутом 45° і рухаючи ним у 3 напрямках, заточіть нижнє лезо.

7. Поверніть інструмент у нормальне положення й видаліть задирки з лез секатора точильним каменем.

УСУНЕННЯ НЕСПРАВНОСТЕЙ

Перш ніж звертатися з приводу ремонту інструмента, проведіть його перевірку самостійно. У разі виявлення несправності, яку не описано в цьому посібнику, не намагайтеся розібрати інструмент. Натомість зверніться до авторизованих сервісних центрів Makita та використовуйте для ремонту тільки запасні частини виробництва компанії Makita.

Стан відхилення від норми	Можлива причина (несправність)	Спосіб виправлення
Двигун не запускається.	—	Див. посібник з експлуатації приводного інструмента.
Двигун швидко зупиняється.	—	Див. посібник з експлуатації приводного інструмента.
Швидкість обертів двигуна не збільшується.	—	Див. посібник з експлуатації приводного інструмента.
Леза секатора не рухаються: ⇒ негайно зупиніть інструмент!	Сторонні предмети застрягли між лезами секатора.	Вимкніть живлення інструмента й витягніть касету з акумулятором, після чого видаліть гілки або сміття, наприклад, плоскогубцями.
	Система приводу працює неправильно.	Зверніться до місцевого авторизованого сервісного центру з приводу ремонту.
Аномальна вібрація: ⇒ негайно зупиніть інструмент!	Леза секатора зламані, зігнуті або зношені.	Замініть леза секатора.
	Система приводу працює неправильно.	Зверніться до місцевого авторизованого сервісного центру з приводу ремонту.
Леза секатора й мотор не зупиняються: ⇒ Негайно зніміть акумулятор!	Несправність електричної частини.	Зніміть акумулятор та зверніться до місцевого авторизованого сервісного центру з приводу ремонту.

ДОДАТКОВЕ ПРИЛАДДЯ

⚠ ОБЕРЕЖНО: Це допоміжне приладдя й насадки рекомендовано використовувати з машиною Makita, зазначеною в цьому посібнику. Використання будь-якого іншого додаткового приладдя й насадок може призвести до травмування. Використовуйте додаткове приладдя й насадки лише за призначенням.

У разі необхідності отримати допомогу в більш детальному ознайомленні з оснащенням звертайтеся до місцевого сервісного центру Makita.

- Комплект ножового полотна
- Резервуар для мастила
- Оригінальний акумулятор та зарядний пристрій Makita

ПРИМІТКА: Деякі елементи в списку можуть входити до комплекту поставки обладнання як стандартне приладдя. Вони можуть різнитися залежно від країни.

ТЕХНИЧЕСКИЕ ХАРАКТЕРИСТИКИ

Модель:	EN402MP
Длина ножа	500 мм
Общая длина	1444 мм
Масса нетто	2,4 кг

- Благодаря нашей постоянно действующей программе исследований и разработок указанные здесь технические характеристики могут быть изменены без предварительного уведомления.
- Технические характеристики могут различаться в зависимости от страны.

Одобренный силовой агрегат

Допустимо использование этой насадки только со следующими силовыми агрегатами:

- Многофункциональный аккумуляторный привод для садовых насадок DUX60
- Многофункциональный аккумуляторный привод для садовых насадок DUX18
- Многофункциональный аккумуляторный привод для садовых насадок UX01G

⚠ ОСТОРОЖНО: Запрещается использовать насадку с неодобренным силовым агрегатом. Неодобренное сочетание компонентов может стать причиной серьезной травмы.

Символы

Ниже приведены символы, которые могут использоваться для обозначения оборудования. Перед использованием убедитесь в том, что вы понимаете их значение.



Прочтите инструкцию по эксплуатации и соблюдайте все предписания.



ОПАСНО! Держите руки на безопасном расстоянии от режущего диска.



Берегитесь электрических проводов. Риск поражения электрическим током.



Надевайте каску, защитные очки и используйте средства защиты слуха.



Используйте защитные перчатки.



Обувайте прочные ботинки с нескользящими подошвами.



Следите, чтобы люди и животные находились на расстоянии не менее 15 метров (50 футов) от силового агрегата.



Не допускайте в рабочую зону посторонних лиц и животных.



Гарантированный уровень звуковой мощности в соответствии с Директивой ЕС по шумам вне помещений.



Уровень звуковой мощности в соответствии с Регламентом Австралии (Новый Южный Уэльс) по контролю за шумом

Назначение

Эта насадка предназначена только для обрезки живой изгороди в сочетании с одобренным силовым агрегатом. Использование насадки для других целей запрещается. Несоблюдение инструкций по эксплуатации насадки может стать причиной серьезной травмы.

Декларация о соответствии ЕС

Только для европейских стран

Мы, производители: **Makita Europe N.V.**, адрес компании: **Jan-Baptist Vinkstraat 2 3070 Kortenberg BELGIUM (Бельгия)**, предоставляем **Хироши Цудзимуре (Hiroshi Tsujimura)** право на составление технической документации и заявляем под нашу исключительную ответственность, что продукция; Обозначение: **Насадка: Кусторез**. Обозначение типа(-ов): **EN402MP**.

Соответствует всем применимым положениям директивы **2006/42/ЕС**, а также всем применимым положениям следующих директив Европейского совета/Европейского Союза: **2000/14/ЕС** – и изготовлена в соответствии со следующими гармонизированными стандартами: **EN62841-1:2015, EN 62841-4-2:2019, EN ISO 11806-1:2011**.

Место и дата принятия декларации: **Kortenberg, Belgium (Бельгия), 20. 12. 2022**

Ответственное лицо: **Хироши Цудзимуре (Hiroshi Tsujimura)**, руководитель компании **Makita Europe N.V.**

МЕРЫ БЕЗОПАСНОСТИ

Правила техники безопасности при эксплуатации аккумуляторного штангового кустореза

1. **Держитесь на расстоянии от лезвия. Не удаляйте срезанные ветки и не придерживайте ветки, которые собираетесь срезать, когда лезвия находятся в движении.** После выключения устройства лезвия продолжают двигаться. Секундная невнимательность при работе с электрическим кусторезом может привести к тяжелой травме.
2. **Переносите электрический кусторез за ручку после полной остановки лезвия и следите за тем, чтобы не нажать выключатель питания.** Соблюдение мер безопасности при переносе электрического кустореза снижает риск непреднамеренного пуска и получения травм от лезвий.
3. **При транспортировке или хранении электрического кустореза надевайте на лезвия чехол.** Соблюдение мер безопасности при обращении с электрическим кусторезом снижает риск получения травм от лезвий.
4. **При удалении застрявших обрезков или обслуживании инструмента убедитесь в том, что все выключатели питания выключены, аккумуляторный блок извлечен или отсоединен.** Неожиданное срабатывание электрического кустореза во время удаления застрявших предметов или обслуживания может привести к тяжелым травмам.
5. **Держите электрический кусторез только за специальные изолированные поверхности, поскольку при выполнении работ существует риск контакта лезвия со скрытой электропроводкой.** Контакт лезвий с находящимся под напряжением проводом приведет к тому, что на металлические детали электрического кустореза также будет подано напряжение, что приведет к поражению оператора электрическим током.
6. **Держите все шнуры питания и кабели на расстоянии от места срезания.** Труднозаметные в живых изгородях или кустах шнуры или кабели питания можно случайно разрезать лезвием.
7. **Не используйте электрический кусторез в неблагоприятных погодных условиях, особенно когда возможны грозовые разряды.** Это снижает риск удара молнией.
8. **Чтобы уменьшить риск поражения электрическим током, запрещено использовать штанговый электрический кусторез вблизи линий электропередач.** Контакт с линиями электропередач или использование устройства вблизи них может привести к тяжелым травмам или поражению электрическим током с летальным исходом.

9. **Во время работы штанговый электрический кусторез следует держать двумя руками.** Во избежание потери контроля держите штанговый электрический кусторез двумя руками.
10. **При работе со штанговым электрическим кусторезом над головой надевайте средства защиты головы.** Падающие обломки могут привести к тяжелым травмам.

Дополнительные инструкции по технике безопасности

Подготовка

1. **ЭЛЕКТРИЧЕСКИЙ КУСТОРЕЗ МОЖЕТ СТАТЬ ПРИЧИНОЙ ТЯЖЕЛЫХ ТРАВМ.** Внимательно прочитайте инструкции по эксплуатации, подготовке, техническому обслуживанию, запуску и остановке инструмента. Ознакомьтесь со всеми элементами управления и правилами надлежащего использования инструмента.
2. **Перед началом работ с инструментом проверяйте изгороди и кустарники на наличие посторонних предметов, таких как проволочные ограждения или скрытая электропроводка.**
3. **Электрическим кусторезом не должны пользоваться дети или лица, не достигшие 18-летнего возраста.** Лица старше 16 лет могут не подпадать под действие этого ограничения в случае, если они проходят обучение под надзором специалиста.
4. **При возникновении экстренной ситуации выключите инструмент и немедленно извлеките блок аккумулятора.**
5. **ОПАСНО - Держите руки на расстоянии от режущего диска.** Прикосновение к диску может привести к серьезной травме.
6. **В случае использования инструмента впервые необходимо, чтобы опытный специалист показал приемы работы с ним.**
7. **Перед началом работ убедитесь в отсутствии на рабочем месте проволочных изгородей, камней или других твердых предметов. Они могут повредить лезвия.**
8. **Используйте электрический кусторез только в том случае, если находитесь в хорошей физической форме.** Если вы устали, ваше внимание будет ослаблено. Соблюдайте особую осторожность в конце рабочего дня. Выполняйте все работы спокойно и аккуратно. Пользователь несет ответственность за ущерб, причиненный третьим лицам.
9. **Перед началом работы убедитесь, что инструмент находится в исправном состоянии. Проверьте наличие и правильность установки соответствующих защитных ограждений.** Электрический кусторез можно использовать только в полностью собранном виде.
10. **Избегайте опасных сред. Не используйте инструмент в местах с повышенной влажностью и под дождем.** Попавшая в инструмент вода повышает опасность поражения электрическим током.

Индивидуальные средства защиты

1. Перчатки из толстой кожи являются обязательной сопутствующей принадлежностью. Обязательно надевайте их при эксплуатации электрического кустореза. Кроме того, обязательно обувайте прочные ботинки с противоскользящими подошвами.
2. Используйте средства защиты органов слуха (например, наушники) во избежание потери слуха.
3. Чтобы защитить себя от разлетающихся обломков и падающих предметов, надевайте защитные очки, шлем и защитные перчатки.
4. Прикасайтесь к лезвиям и регулируйте угол их наклона только в защитных перчатках. Лезвия могут сильно поранить незащищенные руки.

Эксплуатация

1. Во время работы инструмент следует держать двумя руками. Удерживание инструмента одной рукой может привести к потере контроля и тяжелой травме.
2. Во время работы с инструментом всегда следите за тем, чтобы рабочее положение было безопасным и надежным. Не пытайтесь дотянуться инструментом до отдаленных участков, особенно с лестницы. Это очень опасно. Не работайте, стоя на шатких или неустойчивых предметах.
3. Во время работы с инструментом не используйте одновременно несколько ремней и / или плечевых ремней.
4. Люди и животные не должны находиться в радиусе 15 м от работающего инструмента. Остановите инструмент, как только увидите, что кто-то подошел ближе.
5. В случае столкновения режущего узла с каким-либо предметом или возникновения нехарактерного шума или вибрации в инструменте, выключите его, немедленно извлеките блок аккумулятора и подождите, пока движущиеся элементы инструмента остановятся. После этого выполните следующие действия:
 - осмотрите устройство на предмет повреждений;
 - проверьте устройство на предмет ослабленных деталей и подтяните их;
 - замените поврежденные детали оригинальными или отремонтируйте их.
6. Используйте инструмент только по назначению. Не используйте инструмент для каких-либо других целей.
7. Выключайте инструмент и извлекайте блок аккумулятора:
 - перед очисткой или устранением засорения;
 - перед проверкой, выполнением технического обслуживания или работой с инструментом;
 - перед регулировкой рабочего положения лезвий секатора;
 - перед тем, как оставить инструмент без присмотра.
8. Перед запуском убедитесь в том, что инструмент расположен правильно в надлежащем положении.

9. Не используйте инструмент с поврежденными или чрезмерно изношенными лезвиями секатора.
10. Всегда контролируйте окружающую обстановку и будьте бдительны в отношении возможных опасностей, о которых вы можете не знать из-за шума инструмента.
11. Во время работы соблюдайте осторожность, чтобы случайно не задеть металлическую ограду или другие твердые предметы. Лезвие сломается и может нанести тяжелые травмы.
12. Не допускайте случайного запуска. Не переносите инструмент с установленным в него блоком аккумулятора и держи палец на переключателе. При установке блока аккумулятора убедитесь в том, что выключатель выключен.
13. Поднимая или удерживая инструмент, не беритесь за лезвия или режущие кромки.
14. Не прилагайте излишних усилий к инструменту. Используя инструмент с расчетной скоростью, вы добьетесь лучших результатов с меньшим риском травмирования.
15. Не используйте инструмент во время дождя и в условиях высокой влажности. Электродвигатель не защищен от влаги.
16. Во время работы крепко удерживайте инструмент.
17. Не эксплуатируйте инструмент без нагрузки, если в этом нет необходимости.
18. Перед проверкой лезвий секатора, устранением неисправностей или удалением застрявших в лезвиях секатора посторонних предметов обязательно выключите инструмент и извлеките блок аккумулятора.
19. Никогда не направляйте лезвия секатора на себя или окружающих.
20. Если во время работы ножи останавливаются вследствие застревания между ними посторонних предметов, отключите инструмент и извлеките блок аккумулятора, после чего удалите посторонние предметы, например, плоскогубцами. Удаление посторонних предметов руками сопряжено с риском травмирования, поскольку при удалении посторонних предметов ножи могут сместиться.
21. При креплении или снятии кожуха лезвия соблюдайте осторожность во избежание травмирования рук.

Электробезопасность

1. Избегайте опасных сред. Не используйте инструмент в местах с повышенной влажностью и не допускайте его нахождения под дождем. Попавшая в инструмент вода повышает опасность поражения электрическим током.
2. Не бросайте аккумуляторные блоки в огонь. Они могут взорваться. Уточните местные правила утилизации аккумуляторов.
3. Не вскрывайте и не разбивайте аккумуляторы. Содержащийся в них электролит очень едкий, вы можете повредить глаза или кожу. При проглатывании это вещество может вызвать отравление.

4. Не заряжайте аккумулятор под дождем или в местах с повышенной влажностью.
5. Не заряжайте аккумулятор на улице.
6. Не касайтесь зарядного устройства, а также штекера и контактов зарядного устройства влажными руками.
10. Не вскрывайте и не разбивайте аккумуляторы. Содержащийся в них электролит очень едкий, вы можете повредить глаза или кожу. При проглатывании может привести к отравлению.
11. Не заряжайте аккумулятор под дождем или в местах с повышенной влажностью.

Техническое обслуживание и хранение

1. В случае остановки инструмента для обслуживания, проверки или для хранения отключите инструмент, извлеките блок аккумулятора и убедитесь в том, что все движущиеся части остановились. Прежде чем проводить какие-либо проверки, выполняйте регулировку и т. д., дайте инструменту остыть.
2. Перед размещением на хранение дайте инструменту остыть.
3. Когда инструмент не используется, устанавливайте на лезвие чехол и храните инструмент в сухом запечатанном месте на высоте, вне зоны досягаемости детей.
4. Соблюдайте осторожность во время технического обслуживания инструмента. Следите, чтобы режущая кромка была заточенной и чистой для обеспечения максимальной эффективности работы и во избежание травм. Следуйте инструкциям по смазке и замене принадлежностей. Рукоятки инструмента всегда должны быть сухими и чистыми, они не должны быть испачканы маслом или смазкой.
5. Проверьте элементы на предмет повреждений. Перед дальнейшим использованием инструмента поврежденную деталь следует тщательно осмотреть, чтобы убедиться в том, что инструмент будет работать нормально и выполнять функции, для которых он предназначен. Убедитесь в соосности, отсутствии повреждений движущихся деталей, надежности крепления и отсутствии других дефектов, которые могут повлиять на работу электроинструмента. Поврежденный кожух или другая деталь должны быть качественно отремонтированы или заменены в авторизованном сервисном центре.
6. Используйте только оригинальные запчасти.
7. Переносите инструмент в другое место (в том числе во время работы), обязательно извлекайте блок аккумулятора и надевайте чехол лезвий на лезвия секатора. Запрещено переносить или перевозить инструмент с движущимися лезвиями. Запрещено брать руками за лезвия.
8. Очищайте инструмент и особенно лезвия секатора после использования, а также перед длительным хранением. Нанесите небольшое количество смазки на лезвия секатора и наденьте на них чехол лезвия.
9. Не бросайте аккумуляторные блоки в огонь. Они могут взорваться. Уточните местные правила утилизации аккумуляторов.

СОХРАНИТЕ ДАННЫЕ ИНСТРУКЦИИ.

▲ОСТОРОЖНО: НЕ ДОПУСКАЙТЕ, чтобы удобство или опыт эксплуатации данного устройства (полученный от многократного использования) доминировали над строгим соблюдением правил техники безопасности при обращении с этим устройством. **НЕПРАВИЛЬНОЕ ИСПОЛЬЗОВАНИЕ** инструмента или несоблюдение правил техники безопасности, указанных в данном руководстве, может привести к тяжелой травме.

ОПИСАНИЕ ДЕТАЛЕЙ

- Рис.1: 1. Чехол для лезвий 2. Рукоятка регулировки угла 3. Крышка 4. Лезвие секатора 5. Рычаг скольжения 6. Передняя рукоятка

СБОРКА

▲ОСТОРОЖНО: Перед сборкой или настройкой оборудования отключите двигатель и извлеките блок аккумулятора. В противном случае возможен непреднамеренный запуск инструмента, который может привести к получению травмы.

▲ОСТОРОЖНО: Обязательно кладите инструмент на землю, прежде чем приступить к сборке или регулировке. Сборка или регулировка устройства в вертикальном положении может привести к серьезной травме.

▲ОСТОРОЖНО: Соблюдайте меры безопасности и предосторожности, приведенные в главе «МЕРЫ БЕЗОПАСНОСТИ» и руководстве по эксплуатации силового агрегата.

Сборка насадки

1. Снимите заглушку с насадки.

► Рис.2: 1. Заглушка

2. Вставьте трубку в насадку таким образом, чтобы отверстие в трубке было совмещено с отверстием в насадке. Сначала плотно затяните короткий болт, а затем затяните длинный болт для фиксации трубки.

► Рис.3: 1. Отверстие 2. Трубка 3. Болт (короткий) 4. Болт (длинный)

ПРИМЕЧАНИЕ: При затягивании болтов крутящий момент затяжки должен составлять 4,0 - 6,0 Н•м.

Установка трубки насадки

ВНИМАНИЕ: Всегда проверяйте, зафиксирована ли трубка насадки, после установки. Неправильная установка насадки может привести к ее падению с силового агрегата и стать причиной травмы.

Установка трубки насадки на силовой агрегат.

1. Снимите заглушку с конца трубки.

► Рис.4: 1. Трубка 2. Заглушка

ПРИМЕЧАНИЕ: Не выбрасывайте заглушку – она нужна для хранения насадок.

2. Поверните рычаг по направлению к насадке.

► Рис.5: 1. Рычаг

3. Выровняйте положение штифта относительно метки в виде стрелки на силовом агрегате. Вставьте трубку таким образом, чтобы кнопка разблокировки поднялась.

Убедитесь в том, что линия положения совмещена с концом метки в виде стрелки на силовом агрегате, а метка в виде стрелки на силовом агрегате и метка на трубе расположены одна напротив другой.

► Рис.6: 1. Кнопка разблокировки 2. Метка в виде стрелки на силовом агрегате 3. Штифт 4. Линия положения 5. Метка в виде стрелки на трубе

4. Поверните рычаг по направлению к силовому агрегату.

► Рис.7: 1. Рычаг

Убедитесь, что поверхность рычага расположена параллельно трубке.

ПРИМЕЧАНИЕ: Не затягивайте рычаг, не вставив трубку насадки. В противном случае рычаг может слишком сильно зажать входное отверстие приводного вала и повредить его.

Для снятия трубки поверните рычаг по направлению к насадке и вытяните трубку, одновременно нажимая на кнопку разблокировки.

► Рис.8: 1. Кнопка разблокировки 2. Рычаг 3. Трубка

Установка или снятие лезвий секатора

ВНИМАНИЕ: При замене лезвий секатора обязательно надевайте перчатки, чтобы не касаться лезвий руками.

ВНИМАНИЕ: Установите чехол лезвия перед тем, как снимать или устанавливать режущие ножи.

ПРИМЕЧАНИЕ: При замене лезвий секатора не стирайте смазку с кривошипа.

ПРИМЕЧАНИЕ: Перед установкой или снятием лезвий секатора разложите насадку таким образом, чтобы она расположилась прямо относительно трубки.

1. Установите чехол для лезвий на лезвия секатора.

► Рис.9: 1. Чехол для лезвий

2. Разместите насадку в перевернутом положении.

3. Выверните 4 болта шестигранным ключом и снимите кожух и пластину (большую).

► Рис.10: 1. Болт 2. Кожух 3. Пластина (большая)

4. Поверните кривошип с помощью шлицевой отвертки таким образом, чтобы кривошип расположился в направлении, показанном на рисунке.

► Рис.11: 1. Кривошип

5. Выверните 2 болта.

► Рис.12: 1. Болт

6. Снимите войлочную подкладку (короткую), войлочную подкладку (длинную), пластину (малую) и муфты.

► Рис.13: 1. Войлочная подкладка (короткая) 2. Войлочная подкладка (длинная) 3. Пластина (малая) 4. Муфта

7. Снимите лезвия секатора с насадки.

► Рис.14

8. Снимите чехол лезвия и наденьте его на новые лезвия секатора.

9. Снимите пылезащитную крышку с лезвий секатора, а затем прикрепите ее в показанном на рисунке положении на новых лезвиях секатора.

► Рис.15: 1. Пылезащитная крышка

10. Вставьте болт, вывернутый на шаге 5, в отверстие лезвий секатора через отверстие в кожухе лезвий.

► Рис.16: 1. Отверстие 2. Болт

11. Нанесите немного смазки на боковую поверхность кривошипа. Прикрепите лезвия секатора к насадке.

► Рис.17

12. Прикрепите муфты и пластину (малую) к лезвиям секатора, а затем затяните болт.

► Рис.18: 1. Болт 2. Пластина (малая) 3. Муфта

13. Выньте болт, вставленный в отверстие лезвий секатора на шаге 10, а затем затяните его, чтобы зафиксировать лезвия секатора.

14. Прикрепите войлочную подкладку (короткую) и войлочную подкладку (длинную).

► Рис.19: 1. Войлочная подкладка (короткая) 2. Войлочная подкладка (длинная)

15. Прикрепите пластину (большую) и кожух, а затем затяните 4 болта.

► Рис.20: 1. Болт 2. Кожух 3. Пластина (большая)

ПРИМЕЧАНИЕ: При неправильной работе режущих ножей они не будут правильным образом взаимодействовать с кривошипом. Снимите режущие ножи и повторно установите их.

ПРИМЕЧАНИЕ: В случае износа каких-либо деталей инструмента (кроме лезвий секатора), например кривошипа, обратитесь в авторизованный сервисный центр Makita для их замены или ремонта.

ОПИСАНИЕ РАБОТЫ

▲ВНИМАНИЕ: Перед регулировкой или проверкой функций инструмента обязательно убедитесь, что он выключен и его аккумуляторный блок снят.

Регулировка угла срезания

▲ВНИМАНИЕ: Перед регулировкой угла резания необходимо убедиться в том, что инструмент выключен.

Угол головки может регулироваться в пределах 13 положений. Для изменения угла головки выполните указанные далее действия.

1. Возьмитесь за рукоятку регулировки угла, а затем отрегулируйте угол головки, оттягивая на себя рычаг скольжения, после чего отпустите рычаг скольжения.

► **Рис.21:** 1. Рычаг скольжения 2. Рукоятка регулировки угла

2. Слегка сдвиньте головку, пока она не зафиксирована за щелчком.

ПРИМЕЧАНИЕ: Перед включением инструмента убедитесь в том, что головка надежно зафиксирована.

ЭКСПЛУАТАЦИЯ

▲ОСТОРОЖНО: Соблюдайте меры безопасности и предосторожности, приведенные в главе «МЕРЫ БЕЗОПАСНОСТИ» и руководстве по эксплуатации силового агрегата.

Эксплуатация инструмента

▲ОСТОРОЖНО: Не используйте инструмент вблизи линий электропередач. Контакт с линиями электропередач или использование инструмента вблизи линий электропередач может привести к тяжелым травмам или поражению электрическим током с летальным исходом.

▲ОСТОРОЖНО: Держите руки на расстоянии от лезвий секатора.

▲ОСТОРОЖНО: Соблюдайте особую осторожность, чтобы сохранять контроль над инструментом во время работы. Не допускайте отклонения инструмента по направлению к вам или к другим людям, находящимся поблизости. Несоблюдение данного требования может привести к серьезным травмам посторонних лиц или оператора.

▲ВНИМАНИЕ: По возможности не используйте инструмент в жаркую погоду. При работе с инструментом учитывайте свое физическое состояние.

▲ВНИМАНИЕ: Соблюдайте осторожность, чтобы во время работы случайно не задеть металлическую ограду или другие твердые предметы. Лезвия секатора могут сломаться или нанести серьезную травму.

▲ВНИМАНИЕ: Соблюдайте осторожность, чтобы не допустить соприкосновения режущих ножей с землей. Инструмент может причинить серьезную травму из-за отдачи.

▲ВНИМАНИЕ: Не пытайтесь дотянуться инструментом до отдаленных веток, особенно с лестницы. Это очень опасно. Во время работы не стойте на шатких или неустойчивых предметах.

ПРИМЕЧАНИЕ: Не пытайтесь с помощью этого инструмента резать ветки толще 10 мм в диаметре. Перед использованием этого инструмента обрежьте ветки до высоты на 10 см ниже, чем высота срезания, с помощью веткорезов.

► **Рис.22:** (1) Высота срезания (2) 10 см

ПРИМЕЧАНИЕ: Не срезайте сухие деревья или аналогичные твердые объекты. Невыполнение этого требования может привести к повреждению инструмента.

ПРИМЕЧАНИЕ: Не подрезайте траву или сорняки лезвиями секатора. Лезвия секатора могут запутаться в траве или сорняках.

Держите инструмент обеими руками, взявшись за переднюю рукоятку силового агрегата или за переднюю рукоятку насадки и заднюю рукоятку силового агрегата.

► **Рис.23:** 1. Передняя рукоятка 2. Задняя рукоятка

Нажмите на триггерный переключатель, надавливая на рычаг блокировки в выключенном положении, и переместите инструмент вперед.

► **Рис.24**

Для работы в обычном режиме наклоните лезвия секатора в направлении резания, плавно и медленно перемещайте инструмент в направлении резания со скоростью один метр за 3 – 4 секунды.

► **Рис.25**

Чтобы ровно обрезать боковую часть живой изгороди, рекомендуется резать снизу вверх.

► **Рис.26**

Если вы хотите при стрижке придать объекту (например, кусту самшита, рододендрону и т. п.) шарообразную форму, выполняйте стрижку снизу вверх, начиная с основания. Так вам будет легче добиться желаемого результата.

► **Рис.27**

ОБСЛУЖИВАНИЕ

⚠ ОСТОРОЖНО: Перед осмотром или техническим обслуживанием оборудования отключите двигатель и извлеките блок аккумулятора. В противном случае возможен непреднамеренный запуск инструмента, который может привести к получению тяжелой травмы.

⚠ ОСТОРОЖНО: Во время осмотра или обслуживания оборудования обязательно положите его. Сборка или регулировка устройства в вертикальном положении может привести к серьезной травме.

⚠ ОСТОРОЖНО: Соблюдайте меры безопасности и предосторожности, приведенные в главе «МЕРЫ БЕЗОПАСНОСТИ» и руководстве по эксплуатации силового агрегата.

⚠ ВНИМАНИЕ: При осмотре и обслуживании надевайте защитные перчатки.

ПРИМЕЧАНИЕ: Запрещается использовать бензин, растворители, спирт и другие подобные жидкости. Это может привести к обесцвечиванию, деформации и трещинам.

Для обеспечения БЕЗОПАСНОСТИ и НАДЕЖНОСТИ обслуживания ремонт, любое другое техобслуживание или регулировку необходимо производить в уполномоченных сервис-центрах Makita или сервис-центрах предприятия с использованием только сменных частей производства Makita.

Очистка инструмента

При выполнении очистки инструмента требуется вытирать пыль сухой либо смоченной мыльной водой и выжатой тканью.

ПРИМЕЧАНИЕ: Запрещается использовать бензин, растворители, спирт и другие подобные жидкости. Это может привести к обесцвечиванию, деформации и трещинам.

Техническое обслуживание лезвия секатора

Перед началом или после каждого часа эксплуатации нанесите смазочный материал низкой вязкости (машинное масло или смазочное масло в виде спрея) на лезвия секатора.

► Рис.28

После завершения работ необходимо проволочной щеткой очистить обе стороны лезвий секатора от пыли, протереть их тканью, а затем нанести смазочный материал низкой вязкости (машинное масло или смазочное масло в виде спрея) на лезвия секатора.

► Рис.29

ПРИМЕЧАНИЕ: Не промывайте лезвия секатора водой. Это может привести к повреждению инструмента или появлению на нем ржавчины.

ПРИМЕЧАНИЕ: Грязь и коррозия приводят к чрезмерному трению лезвия и уменьшают срок работы от одного заряда аккумулятора.

Хранение

Наденьте чехол для лезвия на режущие ножи, чтобы они не подвергались внешним воздействиям. Храните инструмент в недоступном для детей месте. Не допускайте попадания на инструмент воды или дождя.

При помещении насадки на хранение отдельно от силового агрегата наденьте заглушку на конец трубки.

► Рис.30

Смазка движущихся деталей

ПРИМЕЧАНИЕ: Соблюдайте рекомендованную периодичность и количество подачи смазки. Недостаточное количество смазки может привести к повреждению движущихся частей.

Приводная ось:

Наносите смазку (смазку Makita N No.2 или аналогичную) каждые 30 часов работы.

► Рис.31

ПРИМЕЧАНИЕ: Оригинальную смазку Makita можно приобрести у дилера Makita.

Смазывание консистентной смазкой

Интервал смазывания: каждые 25 часов работы

1. Удалите болт из отверстия для смазывания.

► Рис.32: 1. Болт

2. Снимите крышку с тюбика со смазкой.

Совместите выходной конец тюбика со смазкой с отверстием в кожухе, а затем поверните тюбик, чтобы вернуть его выходной конец в отверстие.

► Рис.33: 1. Резервуар для смазки 2. Отверстие

3. Нанесите смазку на инструмент (приблизительно 3 г).

4. Отсоедините резервуар для смазки.

5. Затяните болт.

Заточка лезвий секатора

ПРИМЕЧАНИЕ: Если лезвия секатора были сильно деформированы при заточке, замените их новыми.

1. Установите блок аккумулятора на инструмент.

2. Включите и запустите инструмент, чтобы верхнее и нижнее лезвия располагались вразбежку.

► Рис.34

3. Отключите инструмент и извлеките из него блок аккумулятора.

4. Установите напильник под углом 45° и заточите им верхнее лезвие с трех направлений.

► Рис.35: (1) Напильник (2) 45°

⚠ ВНИМАНИЕ: Перед заточкой лезвий убедитесь в том, что инструмент выключен и блок аккумулятора извлечен из инструмента.

5. Переверните инструмент и удалите заусенцы с лезвий секатора шлифовальным камнем.

► **Рис.36:** 1. Шлифовальный камень

6. Установите напильник под углом 45° и заточите им нижнее лезвие с трех направлений.

7. Верните инструмент в нормальное положение и удалите заусенцы с лезвий секатора шлифовальным камнем.

ПОИСК И УСТРАНЕНИЕ НЕИСПРАВНОСТЕЙ

Прежде чем обращаться по поводу ремонта, проведите осмотр самостоятельно. Если обнаружена неисправность, не указанная в руководстве, не пытайтесь разобрать инструмент. Обратитесь в один из авторизованных сервисных центров Makita, в которых для ремонта всегда используются оригинальные детали Makita.

Состояние неисправности	Возможная причина (неисправности)	Способ устранения
Двигатель не запускается.	-	См. руководство по эксплуатации силового агрегата.
Двигатель останавливается вскоре после запуска.	-	См. руководство по эксплуатации силового агрегата.
Частота вращения двигателя не повышается.	-	См. руководство по эксплуатации силового агрегата.
Лезвия секатора не двигаются: ⇒ немедленно выключите машину!	Посторонние предметы застряли между лезвиями секатора.	Выключите инструмент и извлеките блок аккумулятора, а затем удалите посторонние предметы подходящими инструментами, например плоскогубцами.
	Привод работает неправильно.	Обратитесь в местный авторизованный центр для ремонта.
Сильная вибрация: ⇒ немедленно выключите машину!	Лезвия секатора сломаны, согнуты или изношены.	Замените лезвия секатора.
	Привод работает неправильно.	Обратитесь в местный авторизованный центр для ремонта.
Лезвия секатора и двигатель не останавливаются. ⇒ Немедленно извлеките аккумулятор!	Неисправность электрической части.	Извлеките аккумулятор и обратитесь в местный авторизованный сервисный центр для ремонта.

ДОПОЛНИТЕЛЬНЫЕ ПРИНАДЛЕЖНОСТИ

▲ ВНИМАНИЕ: Эти принадлежности или насадки рекомендованы для использования с машиной Makita, указанной в этом руководстве. Использование других принадлежностей или насадок может привести к травме. Используйте принадлежность или насадку только по назначению.

Если вам необходимо содействие в получении дополнительной информации по этим принадлежностям, свяжитесь с вашим сервис-центром Makita.

- Лезвие в сборе
- Резервуар для смазки
- Оригинальный аккумулятор и зарядное устройство Makita

ПРИМЕЧАНИЕ: Некоторые элементы из списка могут входить в комплект машины в качестве стандартных принадлежностей. Они могут различаться в зависимости от страны.

ТЕХНИКАЛЫҚ СИПАТТАМАЛАРЫ

Үлгі:	EN402MP
Жүзінің ұзындығы	500 мм
Жалпы ұзындығы	1444 мм
Таза салмағы	2,4 кг

- Зерттеу мен әзірлеудің үздіксіз бағдарламасына байланысты осы құжаттағы техникалық сипаттамалар ескертусіз өзгертілуі мүмкін.
- Техникалық сипаттамалары әр елде әр түрлі болуы мүмкін.

Мақұлданған қуат қондырғысы

Бұл саптама төменде көрсетілген қуат қондырғы(лар)ымен ғана пайдалануға арналған:

- DUX60 Бақша саптамаларына арналған көпфункционалды аккумуляторлы жетек
- DUX18 Бақша саптамаларына арналған көпфункционалды аккумуляторлы жетек
- UX01G Бақша саптамаларына арналған көпфункционалды аккумуляторлы жетек

⚠ ЕСКЕРТУ: Саптаманы мақұлданбаған қуат қондырғысымен пайдалануға болмайды. Мақұлданбаған тіркесімде пайдалану ауыр жарақатқа себеп болуы мүмкін.

Белгілер

Төменде жабдықта пайдаланылуы мүмкін белгілер көрсетілген. Пайдалану алдында олардың мағынасын түсініп алыңыз.



Пайдалану нұсқаулығын оқып шығып, ережелерді орындаңыз.



ҚАУІПТІ - Жүзіне қолыңызды жақындатпаңыз.



Электрлік желілерден абай болыңыз. Ток соғу қаупі бар.



Қорғағыш дулыға киіп, қорғағыш көзілдірік пен құлақпақ тағыңыз.



Қорғағыш қолғап киіңіз.



Табаны тайғанамайтын, мықты аяқ киім киіңіз.



Адамдар мен жануарлар қуат қондырғысынан кемінде 15 м (50 фут) қашықтықта тұруы қажет.



Жұмыс аймағында адамдар мен жануарлар болмауы тиіс.



Кепілдік берілетін дыбыс қысымының деңгейі ЕО сыртқы шуыл бойынша директивасына сәйкес келеді.



Дыбыс қуатының деңгейі Австралияның NSW шуылды басқару туралы ережесіне сәйкес келеді

Қолдану мақсаты

Бұл қондырма мақұлданған қуат блогына жалғанып бұталарды қырқуға ғана арналған. Қондырманы басқа мақсаттарда мүлде пайдалануға болмайды. Қондырманы басқа мақсатта пайдалансаңыз, ауыр жарақат алуыңыз мүмкін.

ЕС сәйкестік декларациясы

Тек Еуропа елдеріне арналған

Біз өндірушілер ретінде: **Makita Europe N.V.**, Бизнес мекен-жайы: **Jan-Baptist Vinkstraat 2 3070 Kortenberg, БЕЛЬГИЯ**. **Hiroshi Tsujimura** атты директорға техникалық құжатты аяқтауға уәкімдік беру және айрықша жауапкершілігімізбен өнім(дер)нің келесідей екенін мәлімдейміз;
Атауы: **Саптама-бұта кескіш**. Түр(лер)дің атауы: **EN402MP**.

2006/42/ЕС директивасының және **2000/14/ЕС** ЕК/ЕО директиваларының барлық тиісті талаптарына, сондай-ақ **EN62841-1:2015**, **EN 62841-4-2:2019**, **EN ISO 11806-1:2011** келісілген стандарттарына сәйкес келеді.

Декларацияның жасалған жері және күні: **Kortenberg, Бельгия. 20. 12. 2022**
Жауапты адам: **Hiroshi Tsujimura**, директор - **Makita Europe N.V.**

ҚАУІПСІЗДІК БОЙЫНША ЕСКЕРТУЛЕР

Аккумуляторлы штангалық бұтақескішке қатысты қауіпсіздік ескертүлері

1. Денеңіздің барлық бөлігін құрал жүзінен алыс ұстаңыз. Жүздер қозғалып тұрған кезде, кесіліп жатқан материалды алмаңыз және кесілетін материалды ұстамаңыз. Ауыстырып-қосқыш өшірілгеннен кейін, құрал жүздері айнала береді. Электрлі бұтақескішті пайдалану барысында сәл ғана көңіл бөлмесеңіз, ауыр жарақат алуыңыз мүмкін.
2. Электрлі бұтақескішті, жүзі тоқтаған кезде ғана, тұтқасынан ұстап алып жүріңіз және қуат ауыстырып-қосқыштарын байқаусызда іске қоспау үшін сақ болыңыз. Электрлі бұтақескішті дұрыс тасымалдасаңыз, байқаусызда іске қосылу және жүздерден жарақат алу қаупі азаяды.
3. Электрлі бұтақескішті тасымалдау немесе сақтау кезінде әрдайым жүз қақпағын орнатыңыз. Электрлі бұтақескішті дұрыс пайдалансаңыз, жүздерден жарақат алу қаупі азаяды.
4. Кептелген материалды тазалағанда немесе құрылғыға қызмет көрсеткенде, барлық қуат ауыстырып-қосқышы өшірілгеніне және аккумулятор блогы шығарылғанына немесе ажыратылғанына көз жеткізіңіз. Кептелген материалды тазалау немесе қызмет көрсету кезінде электрлі бұтақескіштің күтпеген жерден іске қосылуы ауыр жарақатқа әкелуі мүмкін.
5. Электрлі бұтақескішті оқшауланған ұстау беттерінен ғана ұстаңыз, себебі оның жүзі жасырын сымға тиіп кетуі мүмкін. Жүздер кернеулі сымға тиіп кетсе, электрлі бұтақескіштің ашық металл бөліктерінде кернеу пайда болады, нәтижесінде операторды ток соғуы мүмкін.
6. Барлық қуат сымдары мен кабельдерді кесу аймағынан алыс ұстаңыз. Қуат сымдары немесе кабельдер көгал немесе бұталар арасында көрінбей қалуы мүмкін, сол себепті оларды құрал жүзі кездейсоқ кесіп кетуі мүмкін.
7. Электрлі бұтақескішті жайсыз ауа райы жағдайларында, өсіресе найзағай соғу қаупі бар кезде пайдаланбаңыз. Бұл найзағай соғу қаупін азайтады.
8. Электр тогының соғу қаупін азайту үшін штангалық электр бұтақескішін электр желілерінің жанында пайдаланбаңыз. Электр желілерімен жанасу немесе олардың жанында пайдалану ауыр жарақатқа немесе электр тогының соғуына және өлімге әкелуі мүмкін.
9. Штангалық электр бұтақескішін әрдайым екі қолыңызбен ұстаңыз. Штангалық электр бұтақескішін басқара алмай қалмас үшін оны екі қолыңызбен ұстаңыз.

10. Штангалық электр бұтақескішімен жұмыс істеген кезде, әрдайым қорғаныш каскасын киіп жүріңіз. Қалдықтар құласа, ауыр жарақатқа әкелуі мүмкін.

Қосымша қауіпсіздік нұсқаулары

Жұмысқа дайындық

1. **ОСЫ ЭЛЕКТРЛІ БҰТАҚЕСКІШ АУЫР ЖАРАҚАТ АЛУҒА СЕБЕП БОЛУЫ МҮМКІН.** Құралды дұрыс пайдалану, дайындау, техникалық қызмет көрсету, іске қосу және тоқтату үшін нұсқауларды мұқият оқып шығыңыз. Құралды дұрыс пайдалану тәсілімен және басқару жолымен танысып шығыңыз.
2. Бұл құралды пайдаланбас бұрын көгал мен бұталарда бөгде заттардың, мысалы сым қоршауларының немесе жасырын сымдардың болмауын тексеріп алыңыз.
3. Құралды балалар немесе 18 жасқа толмаған адамдар пайдаланбауы керек. Маманның бақылауымен оқытудан өткен болса, 16 жасқа толған адамдар бұл құралды пайдалана алады.
4. Төтенше жағдайда құралды дереу өшіріңіз және аккумулятор картриджді алып тастаңыз.
5. **ҚАУІПТІ** - құрал жүзіне қолыңызды жақындатпаңыз. Жүзбен жанасу ауыр жарақатқа әкелуі мүмкін.
6. Құралды алғаш рет пайдаланушыға құралды пайдалану жолын тәжірибесі бар адам үйретуі тиіс.
7. Құралды пайдаланбай тұрып, жұмыс аймағында сымды қоршаудың, тастың немесе басқа қатты заттардың болмауын тексеріңіз. Олар жүздерді зақымдауы мүмкін.
8. Өзіңізді жақсы сезінсеңіз (ауырып тұрмасаңыз, шаршамасаңыз) ғана құралды пайдаланыңыз. Шаршаған болсаңыз, зейін жоюыңыз нашарлайды. Өсіресе жұмыс күнінің соңында сақ болыңыз. Барлық жұмысты байыппен және мұқият орындаңыз. Пайдаланушы үшінші тарапқа келтірілген барлық зақым үшін жауапты.
9. Жұмысты бастамас бұрын құралдың жақсы және қауіпсіз жұмыс күйінде екеніне көз жеткізіңіз. Сақтандырғыштардың дұрыс орнатылғанын тексеріңіз. Құралды толық жинамағанша, пайдаланбау қажет.
10. Қауіпті ортада жұмыс істемеңіз. Құралды дымқыл немесе ылғалды жерлерде пайдаланбаңыз немесе жаңбыр астында қалдырмаңыз. Құралға су енетін болса, ток соғу қаупі артады.

Жеке қорғаныс жабдығы

1. Тығыз төріден жасалған жұмыс қолғаптары — құралдың негізгі жабдығының бір бөлігі және оларды жұмыс істегенде киіп жүру керек. Табаны сырғанамайтын берік аяқ киім киіңіз.
2. Есту қабілетінен айырылмау үшін құлаққап тағыңыз.

3. Ұшатын қоқыстардан немесе құлайтын нысандардан қорғану үшін қорғаныш көзіндірігін, қорғаныш қаскасы мен қорғаныш қолғабын киіңіз.
 4. Жүздерді ұстаған кезде немесе жүздің бұрышын реттеген кезде, қорғаныш қолғабын киіңіз. Жүздер қолды қатты кесіп кетуі мүмкін.
- Пайдалану**
1. Құралмен жұмыс істеген кезде, әрдайым екі қолыңызды пайдаланыңыз. Бір қолыңызбен ғана ұстасаңыз, құралды басқара алмай қалуыңыз, содан жарақат алуыңыз мүмкін.
 2. Құралмен жұмыс істегенде құралды пайдалану күйінің қауіпсіз екеніне көз жеткізіңіз. Құралға тым қатты ұмтылу (өсіресе сатыда) өте қауіпті. Теңселетін немесе берік емес орында тұрып жұмыс істемеңіз.
 3. Құралмен жұмыс істегенде бірнеше аспа белдігін және/немесе иық белбеуін бір уақытта тақпаңыз.
 4. Жұмыс кезінде айналадағы адамдар мен жануарлар құралдан кемінде 15 м қашықтықта болуы керек. Біреу жақындаса, құралды өшіріңіз.
 5. Кескіш құрал қандай да бір затқа соғылса немесе әдеттен тыс шу немесе діріл шығара бастаса, құралды өшіріп, аккумулятор картриджін дереу шығарып алыңыз және құралдың тоқтағанын күтіңіз. Содан кейін келесі қадамдарды орындаңыз:
 - құралдың зақымдалмағанын тексеріңіз
 - бөлшектердің босап кетпегенін тексеріп, босап кетсе, бекемдеңіз
 - кез келген зақымдалған бөлшектерді жөндеңіз немесе түпнұсқа қосалқы бөлшектермен ауыстырыңыз.
 6. Құралды тек өз мақсатымен пайдаланыңыз. Құралды басқа мақсатпен пайдалануға болмайды.
 7. Келесілерді орындау алдында құралды өшіріп, аккумулятор картриджін алып тастаңыз:
 - тазалау немесе бітеліп қалған затты тазалау,
 - тексеру, техникалық қызмет көрсету немесе құралды жөндеу,
 - металға арналған жалпақ қайшы жүздерінің жұмыс күйін реттеу,
 - құралды қараусыз қалдыру.
 8. Құралды іске қоспай тұрып оның қажетті жұмыс күйінде дұрыс орнатылғанына көз жеткізіңіз.
 9. Зақымдалған немесе қатты тозған металға арналған жалпақ қайшы жүздері бар құралмен жұмыс істемеңіз.
 10. Айналаңызда не бар екеніне назар аударыңыз және құралдың шуына байланысты естілмейтін ықтимал қауіпке көңіл бөліңіз.
 11. Жұмыс кезінде металл қоршауға немесе басқа қатты затқа абайсызда тиіп кетуден сақтаныңыз. Жүз сынып, ауыр жарақатқа әкелуі мүмкін.
 12. Құралдың кездейсоқ іске қосылуынан сақ болыңыз. Аккумулятор картриджі орнатылған кезде, саусағыңызды ауыстырып-қосқышқа қойып, құралды тасымаңыз. Аккумулятор картриджін орнатқанда, ауыстырып-қосқыштың өшірілгеніне көз жеткізіңіз.
 13. Құралды көтергенде немесе ұстағанда, ашық кескіш жүздерді немесе кескіш жиектерді ұстауға болмайды.
 14. Құралға күш түсірмеңіз. Оны мақсатты номиналды көрсеткіштерімен қолдансаңыз, жұмысты жақсырақ істейді және жарақат алу қаупі төмен болады.
 15. Құралды жаңбырда немесе дымқыл не ылғалды жағдайда пайдаланбаңыз. Электр моторы суға төзімді емес.
 16. Құралды пайдаланған кезде оны қатты ұстаңыз.
 17. Қажет болмаса, құралды жүктемесіз пайдаланбаңыз.
 18. Металға арналған жалпақ қайшы жүздерін тексеруден, ақаулықтарды жоюдан немесе металға арналған жалпақ қайшы жүздеріне ілінген бөгде заттарды алудан бұрын, құралды өшіріп, аккумулятор картриджін алып тастаңыз.
 19. Металға арналған жалпақ қайшы жүздерін өзіңізге немесе басқаларға бағыттамаңыз.
 20. Жұмыс кезінде жүздер арасына бөгде заттар тұрып қалуына байланысты тоқтап қалса, құралды өшіріп, аккумулятор картриджін шығарып алыңыз, содан кейін бөгде заттарды қысқыш сияқты құралмен алып тастаңыз. Бөгде заттарды қолыңызбен алсаңыз, алынып жатқан бөгде заттар өсерінен жүздер қозғалып, жарақаттауы мүмкін.
 21. Пышақ жабынын таққанда немесе шешіп алғанда, қолыңызды жарақаттап алмаңыз.
- Электр жүйесіне және аккумуляторға қатысты қауіпсіздік**
1. Қауіпті ортада жұмыс істемеңіз. Құралды дымқыл немесе ылғалды жерлерде пайдаланбаңыз немесе жаңбырда қалдырмаңыз. Құралға су кіретін болса, тоқ соғу қаупі артады.
 2. Аккумулятор(лар)ды отқа тастамаңыз. Элементі жарылуы мүмкін. Көдеге жарату бойынша арнайы ықтимал нұсқауларды жергілікті нормалардан қараңыз.
 3. Аккумулятор(лар)ды ашпаңыз немесе бүлдірмеңіз. Құрамындағы электролит өте улы және көз немесе теріні зақымдауы мүмкін. Жұтып қойған жағдайда улы болуы мүмкін.
 4. Аккумуляторды жаңбыр астында немесе ылғалды жерлерде зарядтамаңыз.
 5. Аккумулятор картриджін сыртта зарядтамаңыз.
 6. Зарядтау ашасымен және клеммаларымен қоса зарядтау құрылғысын дымқыл қолмен ұстамаңыз.

Техникалық қызмет көрсету және сақтау

1. Құрал техникалық қызмет ету, тексеру немесе сақтау үшін тоқтатылса, құралды өшіріп, аккумулятор картриджін алып тастаңыз және барлық қозғалмалы бөлшектердің тоқтағанына көз жеткізіңіз. Қандай да бір тексеріс, реттеу және т.б. жұмысты жасамас бұрын құралды суытыңыз.
2. Сақтау алдында құралдың сууына мүмкіндік беріңіз.
3. Құралды пайдаланбаған кезде оған жүз қақпағын кигізіп, құрғақ және балалардың қолы жетпейтін жабық жерде, жоғарыда сақтаңыз.
4. Құралды күтіп ұстаңыз. Жақсы жұмыс істеу үшін және жарақат алу қаупін азайту үшін кесу жиегін өткір және таза күйде ұстаңыз. Керек-жарақтарды майлау және ауыстыру үшін нұсқауларды орындаңыз. Тұтқыштарды құрғақ, таза ұстаңыз және майлы болмауын қадағалаңыз.
5. Зақымдалған бөлшектерді тексеріңіз. Құралды әрі қарай пайдалануды жалғастырудан бұрын, оның дұрыс жұмыс істейтініне және мақсатты функциясын атқаратынына көз жеткізу үшін, бөлшектерінің зақымдалмағанын мұқият тексеру қажет. Қозғалмалы бөлшектердің туралануын, кептелмеуін, бөлшектердің сынбауын, бекітілуін және құралдың жұмысына әсер ететін басқа жағдайды тексеріңіз. Зақымдалған сақтандырғыш немесе басқа бөлшек өкілетті қызмет көрсету орталығы тарапынан тиісті түрде жөнделуі немесе ауыстырылуы керек.
6. Тек түпнұсқа қосалқы бөлшектерді пайдаланыңыз.
7. Құралды басқа орынға жылжитқан кезде (жұмыс барысында да) аккумулятор картриджін алып тастаңыз және металға арналған жалпақ қайшы жүздеріне жүз қақпағын кигізіңіз. Жүздері жұмыс істеп тұрған құралды алып жүрмеңіз немесе тасымалдамаңыз. Жүздерді қолыңызбен ұстамаңыз.
8. Құралды пайдаланып болғаннан кейін және ұзақ уақыт сақтауға қоймас бұрын құралды (өсіресе металға арналған жалпақ қайшы жүздерін) тазалаңыз. Металға арналған жалпақ қайшы жүздерін аздап майлап, жүз қақпағын кигізіңіз.
9. Аккумулятор(лар)ды отқа тастамаңыз. Элементі жарылуы мүмкін. Кәдеге жарату бойынша арнайы ықтимал нұсқауларды жергілікті нормалардан қараңыз.
10. Аккумулятор(лар)ды ашпаңыз немесе бүлдірмеңіз. Құрамындағы электролит өте улы және көз немесе теріні зақымдауы мүмкін. Жұтып қойған жағдайда ол улы болуы мүмкін.
11. Аккумуляторды жаңбыр астында немесе ылғалды жерлерде зарядтамаңыз.

ОСЫ НҰСҚАУЛАРДЫ САҚТАҢЫЗ.

▲ЕСКЕРТУ: Өнімді қайта пайдалану барысында САЛҒЫРТТЫҚ ТАНЫТПАЙ, қауіпсіздік ережелерін ұстаныңыз. Осы пайдалану жөніндегі нұсқаулықта келтірілген қауіпсіздік ережелерін ДҰРЫС ПАЙДАЛАНБАУ немесе орындамау ауыр жарақаттарға әкел соқтыруы мүмкін.

БӨЛШЕКТЕР СИПАТТАМАСЫ

- **Сурет1:** 1. Жүз тысы 2. Бұрышты реттеу сабы 3. Қақпақ 4. Металға арналған жалпақ қайшы жүздері 5. Сырғыту тетігі 6. Алдыңғы тұтқа

ҚҰРАСТЫРУ

▲ЕСКЕРТУ: жабдықты жинау немесе реттеу алдында моторды өшіріп, аккумулятор картриджін шығарыңыз. Әйтпесе машина абайсызда іске қосылып, адамды жарақаттауы мүмкін.

▲ЕСКЕРТУ: Жабдықты жинау немесе реттеу кезінде оны әрдайым төменге алып қойыңыз. Жабдықты жоғарыда жинау немесе реттеу ауыр жарақатқа әкелуі мүмкін.

▲ЕСКЕРТУ: "ҚАУІПСІЗДІК ШАРАЛАРЫ" тарауындағы ескерту мен сақтық шараларын және қуат блогының нұсқаулығын орындаңыз.

Қондырманы жинау

1. Қондырманың қаппағын шешіп алыңыз.
- **Сурет2:** 1. Қалпақ
2. Түтіктегі тесік пен қондырмадағы тесікті бірібіріне туралап, түтікті қондырмаға кіргізіңіз. Алдымен қысқа болтты мықтап бұраңыз, содан кейін ұзын болтты бұрап түтікті бекітіңіз.
- **Сурет3:** 1. Тесік 2. Түтік 3. Болт (қысқа) 4. Болт (ұзын)

ЕСКЕРТПЕ: Болттарды бұрап тартқанда, 4,0–6,0 Нм бұрау күшін қолданыңыз.

Қондырма түтігін орнату

▲САҚ БОЛЫҢЫЗ: Орнатқаннан кейін әрқашан қондырма түтігінің бекітілгенін тексеріңіз. Дұрыс орнатылмаған жағдайда қондырма қуат блогынан құлап, адам жарақат алуы мүмкін.

Қондырма түтігін қуат блогына орнатыңыз.

1. Түтік ұшынан қақпақты алып тастаңыз.
- **Сурет4:** 1. Түтік 2. Қақпақ

НАЗАР САЛЫҢЫЗ: Қақпақты лақтырмаңыз, себебі қақпақ қондырманы сақтау үшін қажет.

2. Тұтқаны қондырмаға қарай бұраңыз.

► **Сурет5:** 1. Тетік

3. Істікті қуат блогындағы көрсеткі белгісімен біріктіріңіз. Шлангты салғанда, босату түймесі жоғары көтерілуі керек.

Жайғасым сызығы қуат блогындағы көрсеткі белгісінің соңында, ал қуат блогындағы көрсеткі белгісі мен шлангтағы көрсеткі белгісі бір-біріне қарап тұрғанына көз жеткізіңіз.

► **Сурет6:** 1. Босату түймесі 2. Қуат блогындағы көрсеткі белгісі 3. Істік 4. Орналасу сызығы 5. Шлангтағы көрсеткі белгісі

4. Тұтқаны қуат блогына қарай бұраңыз.

► **Сурет7:** 1. Тетік

Тұтқаның беті түтікке параллель екеніне көз жеткізіңіз.

НАЗАР САЛЫҢЫЗ: Қондырма түтігін салмайынша тұтқаны тартпаңыз. Әйтпесе, тұтқа жетек білігінің кірісін тым қатты қысып, зақымдауы мүмкін.

Түтікті алу үшін тұтқаны қондырмаға қарай бұраңыз және босату түймесін басып тұрып, түтікті тартып шығарыңыз.

► **Сурет8:** 1. Босату түймесі 2. Тетік 3. Түтік

Металға арналған жалпақ қайшы жүздерін орнату немесе алып тастау

▲ САҚ БОЛЫҢЫЗ: Металға арналған жалпақ қайшы жүздерін ауыстыру кезінде қолдарыңыз жүздерге тиіп кетпеуі үшін, қолғап киіп жүріңіз.

▲ САҚ БОЛЫҢЫЗ: Металға арналған жалпақ қайшы жүздерін орнату немесе алып тастау алдында жүз қақпағын бекітіңіз.

НАЗАР САЛЫҢЫЗ: пышақтарды ауыстырған кезде, қосиіндегі майды сұртпеңіз.

ЕСКЕРТПЕ: Пышақтарды орнату немесе шешіп алу алдында, қондырманы түтікке қатысты түзу тұратындай етіп жазып жіберіңіз.

1. Жүз тысын пышақтарға бекітіңіз.

► **Сурет9:** 1. Жүз тысы

2. Қондырманы төңкеріп қойыңыз.

3. Алты қырлы кілтпен 4 болтты бұрап алыңыз да, жабын мен пластинаны (үлкен) шешіп алыңыз.

► **Сурет10:** 1. Болт 2. Қақпақ 3. Пластина (үлкен)

4. Қосиінді суретте көрсетілген бағытта тұратындай етіп жалпақ ұшты бұрауышпен бұраңыз.

► **Сурет11:** 1. Иінді білік

5. 2 болтты бұрап алыңыз.

► **Сурет12:** 1. Болт

6. Киіз төсемені (қысқа), киіз төсемені (ұзын), пластинаны (кішкентай) және манжеттерді шешіп алыңыз.

► **Сурет13:** 1. Киіз төсеме (қысқа) 2. Киіз төсеме (ұзын) 3. Пластина (кішкентай) 4. Жалғастырғыш

7. Пышақтарды қондырмадан шешіп алыңыз.

► **Сурет14**

8. Жүз қақпағын алып тастаңыз, содан кейін оны жаңа металға арналған жалпақ қайшы жүздеріне бекітіңіз.

9. Шаңнан қорғайтын тиекті пышақтардан шешіп алыңыз, содан кейін оны суретте көрсетілген жаңа пышақтардағы орынға бекітіңіз.

► **Сурет15:** 1. Шаңнан қорғайтын тиек

10. 5-қадамда бұрап алынған винтті пышақтардағы тесікке пышақ жабынындағы тесік арқылы өткізіп кіргізіңіз.

► **Сурет16:** 1. Саңылау 2. Болт

11. Қосиіннің айналасына аздап май жағыңыз. Пышақтарды қондырмаға бекітіңіз.

► **Сурет17**

12. Манжеттерді, пластинаны (кішкентай) пышақтарға бекітіңіз, содан кейін болтты бұрап тартыңыз.

► **Сурет18:** 1. Болт 2. Пластина (кішкентай) 3. Жалғастырғыш

13. 10-қадамда пышақтардағы тесікке салынған болтты бұрап алыңыз, содан кейін оны бұрап пышақтарды бекітіңіз.

14. Киіз төсемені (қысқа) және киіз төсемені (ұзын) бекітіңіз.

► **Сурет19:** 1. Киіз төсеме (қысқа) 2. Киіз төсеме (ұзын)

15. Пластинаны (үлкен) салыңыз, содан кейін 4 болтты бұрап тартыңыз.

► **Сурет20:** 1. Болт 2. Қақпақ 3. Пластина (үлкен)

НАЗАР САЛЫҢЫЗ: Егер металға арналған жалпақ қайшы жүздері дұрыс жұмыс істемесе, бұл иінді біліктің жүздерге дұрыс тимей тұрғанын білдіреді. Жүздерді алып, қайтадан орнатыңыз.

НАЗАР САЛЫҢЫЗ: Металға арналған жалпақ қайшы жүздерінен басқа бөлшектер (иінді білік) тозған болса, бөлшектерді ауыстыру немесе жөндеу үшін Makita өкілетті қызмет көрсету орталығына жүгініңіз.

ФУНКЦИОНАЛДЫҚ СИПАТТАМАСЫ

▲САҚ БОЛЫҢЫЗ: Құралдың функциясын реттемес және тексермес бұрын, әрдайым құралдың өшірулі екендігіне және аккумулятор картриджінің алынғанына көз жеткізіңіз.

Кесу бұрышын реттеу

▲САҚ БОЛЫҢЫЗ: кесу бұрышын реттемей тұрып, құралдың өшіп тұрғанына міндетті түрде көз жеткізіңіз.

Бастың бұрышын 13 әрекетті орындап реттеуге болады. Бастың бұрышын төмендегі әрекеттерді орындап өзгертуге болады.

1. Бұрышты реттеу сабын ұстаңыз да, сырғыту тетігін тартып тұрып, бастың бұрышын реттеңіз, содан кейін сырғыту тетігін жіберіңіз.

► **Сурет21:** 1. Сырғыту тетігі 2. Бұрышты реттеу сабы

2. Бастиекті сырт өткен дыбыс шыққанша ақырын жылжытыңыз.

ЕСКЕРТПЕ: Құралды пайдалану алдында бастиек мықтап құлыпталғанына көз жеткізіңіз.

ПАЙДАЛАНУ

▲ЕСКЕРТУ: "ҚАУІПСІЗДІК ШАРАЛАРЫ" тарауындағы ескерту мен сақтық шараларын және қуат блогының нұсқаулығын орындаңыз.

Құралмен жұмыс істеу

▲ЕСКЕРТУ: Құралды электр желілері жанында пайдалануға болмайды. Қуат желілерімен жанасу немесе құралды қуат желілерінің жанында пайдалану ауыр жарақат алуға немесе өлімге себепші электр тогының соғуына әкелуі мүмкін.

▲ЕСКЕРТУ: Қолыңызды металға арналған жалпақ қайшы жүздеріне жақындатпаңыз.

▲ЕСКЕРТУ: құралды үнемі қадағалау үшін өте сақ болыңыз. Құралдың жұмыс аймағында өзіңізге немесе өзге қарай ауытқып кетуіне жол бермеңіз. Құралды басқара алмай қалу оператордың және айналадағы адамның ауыр жарақат алуына әкелуі мүмкін.

▲САҚ БОЛЫҢЫЗ: Құралмен мүмкіндігінше ыстық ауа райында жұмыс істемеңіз. Құралмен жұмыс істеу кезінде физикалық жағдайыңызды есепке алыңыз.

▲САҚ БОЛЫҢЫЗ: Шөп шабу кезінде металл қоршауға немесе басқа қатты затқа абайсызда тиіп кетуден сақтаныңыз. Металға арналған жалпақ қайшы жүздері сынып, дене жарақатын тудыруы мүмкін.

▲САҚ БОЛЫҢЫЗ: Металға арналған жалпақ қайшы жүздері жерге тиіп кетпеуі тиіс. Өйтпесе құрал кері шегініп, дене жарақатын тудыруы мүмкін.

▲САҚ БОЛЫҢЫЗ: Электрлі бұтақескішке тым қатты ұмтылу (өсірес сатыда) өте қауіпті. Теңселетін немесе берік емес орында тұрып жұмыс істеуге болмайды.

НАЗАР САЛЫҢЫЗ: Құралмен диаметрі 10 мм ден асатын қалың бұтақтарды кесуге әрекеттенбеңіз. Құралды пайдалану алдында бұтақты кесуге арналған дискілі алмас араның көмегімен кесу биіктігінен 10 см төмен бұтақтарды кесіңіз.

► **Сурет22:** (1) Кесу биіктігі (2) 10 см

НАЗАР САЛЫҢЫЗ: Құраған ағаштарды немесе соған ұқсас қатты заттарды кесуге болмайды. Өйтпесе құралға зақым келуі мүмкін.

НАЗАР САЛЫҢЫЗ: Металға арналған жалпақ қайшы жүздерін пайдаланып, шөпті немесе арамшөпті қысқартуға болмайды. Себебі металға арналған жалпақ қайшы жүздеріне шөп немесе арамшөп оралып қалуы мүмкін.

Құралды қуат блогының алдыңғы сабынан немесе қондырманың алдыңғы тұтқасынан және қуат блогының артқы сабынан екі қолыңызбен ұстаңыз.

► **Сурет23:** 1. Алдыңғы сап 2. Артқы тұтқа

Құлыпты ашу тетігін басып тұрып, ауыстырғыш шүріппені басыңыз, содан кейін құралды алға жүргізіңіз.

► **Сурет24**

Негізгі жұмыс үшін металға арналған жалпақ қайшы жүздерін кесу бағытына қарай еңкейтіп, 3 - 4 метр/секунд жылдамдықпен байыппен баяу жылжытыңыз.

► **Сурет25**

Көгалды түзу кесу үшін төменнен жоғары қарай кесіңіз.

► **Сурет26**

Дөңгелек пішін жасау үшін кесу кезінде (шамшам немесе таураушан, т.с.с. кесу) тамырынан бастап жоғарғы жағына қарай кесіңіз.

► **Сурет27**

ТЕХНИКАЛЫҚ ҚЫЗМЕТ КӨРСЕТУ

▲ ЕСКЕРТУ: жабдықты тексеру немесе техникалық күтімін жасау алдында, моторды өшіріп, аккумулятор картриджін шығарыңыз. Өйтпесе машина абайсызда іске қосылып, адамды ауыр түрде жарақаттауы мүмкін.

▲ ЕСКЕРТУ: Жабдықты тексеру немесе техникалық қызмет көрсету кезінде оны **әрдайым төменге алып қойыңыз.** Жабдықты жоғарыда жинау немесе реттеу ауыр жарақатқа әкелуі мүмкін.

▲ ЕСКЕРТУ: "ҚАУІПСІЗДІК ШАРАЛАРЫ" тарауындағы ескерту мен сақтық шараларын және қуат блогының нұсқаулығын орындаңыз.

▲ САҚ БОЛЫҢЫЗ: қарап тексерген немесе техникалық күтім жасаған кезде, қолғап киіңіз.

НАЗАР САЛЫҢЫЗ: Жанармайды, бензинді, сұйылтқышты, спиртті немесе соған ұқсас заттарды ешқашан пайдаланбаңыз. Нәтижесінде түссіздену, бүліну немесе жарықтар пайда болуына әкелуі мүмкін.

Әніміңіз ҚАУІПСІЗДІГІ мен СЕНІМДІЛІГІН қамтамасыз ету үшін, жөндеу жұмыстары, кез келген басқа техникалық қызмет көрсету немесе реттеу әрдайым Makita қосалқы бөлшектерін пайдалану арқылы Makita компаниясының өкілетті немесе зауыттық қызмет көрсету орталықтары тарапынан орындалуы керек.

Құралды тазалау

Құрал шаңын құрғақ шүберекпен немесе сабынды суға батырылған шүберекті сығып алып тазалаңыз.

НАЗАР САЛЫҢЫЗ: Жанармайды, бензинді, сұйылтқышты, спиртті немесе соған ұқсас заттарды ешқашан пайдаланбаңыз. Нәтижесінде түссіздену, бүліну немесе жарықтар пайда болуына әкелуі мүмкін.

Металға арналған жалпақ қайшы жүзіне техникалық қызмет көрсету

Пайдалану алдында немесе жұмыс кезінде сағатына бір рет металға арналған жалпақ қайшы жүздеріне тұтқырлығы төмен (машина майы немесе бүріккіш түріндегі майлағыш) май жағыңыз.

► Сурет28

Жұмыс істеп болғаннан кейін металға арналған жалпақ қайшы жүздерінің екі жағындағы шаңды сым қылшақпен кетіріңіз, оны шүберекпен сүртіңіз, содан кейін оған тұтқырлығы төмен май (машина майы немесе бүріккіш түріндегі майлағыш) жағыңыз.

► Сурет29

НАЗАР САЛЫҢЫЗ: Металға арналған жалпақ қайшы жүздерін суға салып жууға болмайды. Бұл тот басуға немесе құралдың зақымдануына әкелуі мүмкін.

НАЗАР САЛЫҢЫЗ: Кір мен тот жүздің шамадан тыс үйкелуін тудырады және аккумуляторларға арналған зарядтау құрылғысының пайдалану уақытын қысқартады.

Сақтау

Жүздері ашық қалмайтындей етіп жүз қақпағын металға арналған жалпақ қайшы жүздеріне бекітіңіз. Құралды балалардың қолы жетпейтін жерде сақтаңыз. Құралды ылғал немесе жаңбыр тимейтін жерде сақтаңыз. Қондырма мен қуат блогын бөлек сақтаған кезде, қаппақты түтіктің ұшына кигізіңіз.

► Сурет30

Қозғалмалы бөлшектерін майлау

НАЗАР САЛЫҢЫЗ: Берілген майдың жиілігі мен мөлшері туралы нұсқауларды орындаңыз. Өйтпесе, майдың жеткіліксіз болуы қозғалмалы бөлшектерге зақым келтіруі мүмкін.

Жетекші білік:

Майды (Makita майы N No.2 немесе баламасы) жұмыстың әрбір 30 сағаты сайын жағып тұрыңыз.

► Сурет31

ЕСКЕРТПЕ: Түпнұсқа Makita майын жергілікті Makita дилерінен сатып алуға болады.

Қоюланған маймен майлау

Майлау аралығы: Пайдалану кезінде әр 25 сағат сайын

1. Майлау үшін болтын саңылаудан алып тастаңыз.

► Сурет32: 1. Болт

2. Май сықпасының қақпағын бұрап алыңыз. Май сықпасының аузын жабындағы тесікке туралаңыз да, май сықпасының аузын тесікке бұрап бекітіңіз.

► Сурет33: 1. Май ыдысы 2. Саңылау

3. Құралға май (үлгі ретінде шамамен 3 г) жағыңыз.

4. Май түтігін алып тастаңыз.

5. Болтты бекітіңіз.

Металға арналған жалпақ қайшы жүздерін ажарлау

НАЗАР САЛЫҢЫЗ: Егер металға арналған жалпақ қайшы жүздері ажарлаудан айтарлықтай тозған болса, оларды жаңасымен ауыстырыңыз.

1. Құралға аккумулятор картриджін орнатыңыз.

2. Жоғарғы және төменгі жүзі кезекпен орналасатындай етіп, құралды іске қосыңыз.

► Сурет34

- Құралды өшіріп, аккумулятор картридждін құралдан алып тастаңыз.
- Егеу бұрышын 45°-қа орнатыңыз және жоғарғы пышақты егеумен 3 жақтан қайраңыз.
► **Сурет35:** (1) Егеу (2) 45°

▲САҚ БОЛЫҢЫЗ: Металға арналған жалпақ қайшы жүздерін ажарлау алдында құралдың өшірулі екеніне және аккумулятор картридждің құралдан алынғанына көз жеткізіңіз.

- Құралды төңкеріп қойып, металға арналған жалпақ қайшы жүздеріндегі бұдырды қайрақ тас көмегімен кетіріңіз.
► **Сурет36:** 1. Қайрақ тас
- Егеу бұрышын 45°-қа орнатыңыз және төменгі пышақты егеумен 3 жақтан қайраңыз.
- Құралды қалыпты күйіне қойып, металға арналған жалпақ қайшы жүздеріндегі бұдырды егеудің көмегімен кетіріңіз.

АҚАУЛЫҚТАРДЫ ЖОЮ

Жөндеу жұмыстарына тапсырыс беруден бұрын, тексерулер жүргізіңіз. Нұсқаулықта көрсетілмеген мәселелер анықталса, құралды бөлшектемеңіз. Makita компаниясының өкілетті қызмет көрсету орталықтарына хабарласыңыз және жөндеу үшін әрқашан Makita қосалқы бөлшектерін пайдаланыңыз.

Ақаулы күйі	Ықтимал себебі (ақаулық)	Шешім
Мотор іске қосылмайды.	-	Сондай-ақ қуат блогының пайдалану нұсқаулығын қараңыз.
Мотор көп ұзамай тоқтайды.	-	Сондай-ақ қуат блогының пайдалану нұсқаулығын қараңыз.
Мотор жылдамдығы артпайды.	-	Сондай-ақ қуат блогының пайдалану нұсқаулығын қараңыз.
Металға арналған жалпақ қайшы жүздері жылжымайды: ⇒ машинаны дереу тоқтатыңыз!	Металға арналған жалпақ қайшы жүздерінің арасында бөгде заттар тұрып қалды. Жетек жүйесі дұрыс жұмыс істемейді.	Құралды өшіріп, аккумулятор картридждін алып тастаңыз, содан кейін қысқыш секілді құрал көмегімен бөгде заттарды алып тастаңыз. Жергілікті қызмет көрсету орталығынан жөндеуді сұраңыз.
Қалыптан тыс дірілдеу: ⇒ машинаны дереу тоқтатыңыз!	Металға арналған жалпақ қайшы жүздері сынған, майысқан немесе тозған. Жетек жүйесі дұрыс жұмыс істемейді.	Металға арналған жалпақ қайшы жүздерін ауыстырыңыз. Жергілікті қызмет көрсету орталығынан жөндеуді сұраңыз.
Металға арналған жалпақ қайшы жүздері мен мотор тоқтамайды: ⇒ Дереве аккумуляторды шығарып алыңыз!	Электрлік ақаулық.	Аккумуляторды шығарып алыңыз және жергілікті өкілетті қызмет көрсету орталығынан жөндеп беруін сұраңыз.

ҚОСЫМША КЕРЕК-ЖАРАҚТАР

▲САҚ БОЛЫҢЫЗ: Бұл керек-жарақтарды немесе қондырмаларды осы нұсқаулықта көрсетілген Makita машинасымен бірге пайдаланған дұрыс. Басқа керек-жарақтарды немесе қондырмаларды пайдалану адамдардың жарақаттануына әкелуі мүмкін. Керек-жарақты немесе қондырманы тек мақсатына сәйкес пайдаланыңыз.

Осы керек-жарақтар туралы қосымша мәлімет алу үшін көмек қажет болса, жергілікті Makita қызмет көрсету орталығына хабарласыңыз.

- Металға арналған жалпақ қайшы жүзі жинағы
- Май түтігі
- Makita түпнұсқа аккумуляторы және зарядтау құрылғысы

ЕСКЕРТПЕ: Тізімдегі кейбір элементтер стандартты керек-жарақтар ретінде өнімнің қаптамасында болуы мүмкін. Олар әр елде әртүрлі болуы мүмкін.

規格

型號：	EN402MP
刀片長度	500 mm
全長	1444 mm
淨重	2.4 kg

- 生產者保留變更規格不另行通知之權利。
- 規格可能因銷往國家之不同而異。

認可的動力裝置

該組件僅可與以下認可的動力裝置組合使用：

- DUX60 充電式多功能動力機
- DUX18 充電式多功能動力機
- UX01G 充電式多功能動力機

警告：切勿將本組件和未經認可的動力裝置組合使用。未經認可的組合可能會造成嚴重的傷害。

符號

以下顯示本設備可能使用的符號。在使用工具前，請務必理解其涵義。



閱讀並遵循使用說明書。



危險 - 將手保持遠離刀片。



留意電氣線路。存在觸電風險。



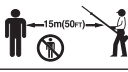
請佩帶保護頭盔、護目鏡和護耳罩！



佩帶保護手套。



穿著具有防滑底的結實靴。



確保工具的15 m範圍內無旁觀者或動物。



確保操作區域沒有人員和寵物。



符合歐盟戶外噪音指令的保證聲功率位準。



符合澳洲 NSW 噪音控制條例的聲功率位準

用途

該組件僅限用於修剪樹籬，且需搭配經認可的動力裝置使用。切勿將該組件挪作他用。不正當使用該組件可能造成嚴重的人身傷害。

EC符合性聲明

僅用於歐洲國家

我們作為製造商：**Makita Europe N.V.**，公司地址：**Jan-Baptist Vinkstraat 2 3070 Kortenberg BELGIUM**。授予 **Hiroshi Tsujimura** 編寫技術檔案之權利，並在權責範圍內發表以下產品聲明；名稱：**樹籬剪組件**。型式：**EN402MP**。遵守 **2006/42/EC** 所有相關條款，以及以下 **EC/EU** 指令的所有相關條款：**2000/14/EC** 並依照以下 Harmonised 標準製造：**EN62841-1:2015, EN 62841-4-2:2019, EN ISO 11806-1:2011**。
聲明地點和日期：**Kortenberg, Belgium。20. 12. 2022**
負責人：**Makita Europe N.V. 董事 - Hiroshi Tsujimura**。

安全警告

充電式樹籬剪安全警告

1. 身體所有部位請遠離刀片。請勿在刀片作動時，移除已切除的材料或握持待切除的材料。開關關閉後，刀片還會繼續轉動。在操作本電動樹籬剪期間分心，可能會導致嚴重人身傷害。
 2. 在刀片停止的情況下，以手柄搬運電動樹籬剪，並小心勿作動任何電源開關。正確搬運電動樹籬剪可降低不慎啟動，以及導致刀片造成人員受傷的風險。
 3. 搬運或存放電動樹籬剪時，請務必裝上刀片保護罩。正確處理電動樹籬剪可降低刀片造成人員受傷的風險。
 4. 清理卡住的材料或維修裝置時，請確認所有電源開關已關閉，且電池組已取下或中斷連接。清理卡住材料或進行維修時，若意外作動電動樹籬剪，可能會導致嚴重人身傷害。
 5. 由於刀片可能會接觸到隱藏的電線，請僅握持電動樹籬剪的絕緣握持表面。刀片接觸到「帶電」導線時，可能會使電動樹籬剪上曝露的金屬部分「帶電」，並使操作人員觸電。
 6. 使所有電源線及纜線遠離切割區域。電源線或纜線可能藏於灌木或樹叢中，有意外遭刀片割斷的可能性。
 7. 切勿在惡劣天氣環境下（尤其是雷雨）使用電動樹籬剪。這可降低遭受雷擊的風險。
 8. 若要降低觸電風險，切勿在靠近任何電氣線路的地方使用電動樹籬剪機。碰觸電氣線路或在電氣線路附近使用可能會造成嚴重傷害或因觸電而死亡。
 9. 務必使用雙手操作電動樹籬剪機。雙手握住電動樹籬剪機可避免機器失控。
 10. 在高處操作電動樹籬剪機時，請務必穿戴頭部防護。落下的碎片可能會造成嚴重的人身傷害。
2. 在操作本工具之前請檢查籬笆與樹叢中是否有任何異物，如鐵絲柵欄或隱藏電線。
 3. 兒童及未滿18歲的少年不得使用本籬笆修剪機。16歲以上的少年如果在是專家指導下接受訓練，則不受以上限制。
 4. 出現緊急情況時，請立即關閉工具開關，並取下電池組。
 5. 危險：讓雙手遠離刀片。與刀片接觸會導致嚴重的人身傷害。
 6. 初學者應請有經驗的使用者示範如何使用本工具。
 7. 操作之前，請檢查作業區域是否有鐵絲柵欄、石塊或其他堅硬物體。此類物體會損傷刀片。
 8. 如果您的身體狀況不佳，請勿使用本籬笆修剪機。如果您感到疲倦，您的注意力將會降低。當一天的工作接近尾聲時要特別小心。執行各項工作時，請冷靜和小心。如果對第三方造成任何損害，使用者要為此負責。
 9. 開始工作前，請檢查並確認本修剪機是否處於良好、安全的工作狀態。確保保護罩已安裝妥當。本籬笆修剪機只能在組裝完成的狀態下使用。
 10. 避免危險的環境。請勿在潮濕或淋雨環境中使用工具。若有水進入工具將增加觸電危險。

個人防護設備

1. 厚實的皮革工作手套是本籬笆修剪機的基本配備之一，操作本修剪機時務必全程佩戴。還請穿著堅固且具有防滑鞋底鞋子。
2. 請配戴耳罩等護耳裝置以防止聽力受損。
3. 請配戴護目鏡、安全頭盔和保護手套，以防止受到飛濺碎片或下落物體的傷害。
4. 接觸刀片或調整刀片角度時，請配戴保護手套。否則刀片可能會嚴重傷及手部。

操作

1. 請務必使用雙手操作工具。若使用單手操作，可能會造成失控並導致嚴重的人身傷害。
2. 操作工具時，請務必確認操作位置的安全性。使用工具時過度前傾伸展身體（尤其是站在梯子上時）極度危險。請勿站在任何搖晃或不穩固的平台上工作。
3. 操作工具時，請勿同時配戴多條腰帶及／或肩帶。

其他安全指示

準備

1. 本電動樹籬剪可能會導致嚴重的人員受傷。請仔細閱讀本說明手冊，以了解操作、準備、保養、啟動及停止工具的正确方式。請熟悉本工具所有的控制與正確使用方式。

- 操作期間，請確保工具的 15 m 範圍內無任何旁觀者或動物。若有他人靠近，請立即停止工具。
- 若切割工具撞擊到任何物體或工具開始發出異音或震動，請立即關閉工具開關並取下電池組，以停止工具。然後採取下列步驟：
 - 檢查是否受損
 - 檢查並鎖緊鬆開的部件
 - 以原廠備件更換或維修受損部件。
- 僅可將工具作為其預定用途使用。請勿將工具用於其他用途。
- 請先關閉工具並取下電池組，然後再：
 - 清潔或清除堵塞物，
 - 檢查、執行工具保養或維護作業，
 - 調整刀片的作業位置，
 - 留置工具。
- 啟動工具前，請先確認工具正確位於指定的作業位置。
- 請勿以受損或過度磨損的刀片操作工具。
- 請隨時注意周圍環境，並對可能因工具噪音而無法察覺的潛在危害保持警覺。
- 操作時，請小心不要意外接觸到金屬籬笆或其他堅硬物體。刀片可能斷裂，並可能導致人員嚴重受傷。
- 避免意外起動。裝有電池組且手指置於開關上時，請勿搬運工具。安裝電池組時，請確認開關已關閉。
- 搬動或握住本工具時，請勿抓握外露的刀片或切割邊緣。
- 請勿強壓工具。工具在預定速率下可更完善且安全地完成工作。
- 請勿在雨中、潮濕或濕氣極重的情況下使用本工具。電動馬達不具防水性能。
- 使用本工具時，請緊握本工具。
- 請勿在不必要的情況下空載操作本工具。
- 在檢查刀片、排除故障或去除卡在刀片內的異物前，請務必關閉工具開關並取下電池組。
- 切勿將刀片朝向自己或他人。
- 若鋸片運轉時因鋸片之間卡住異物而停止移動，請關閉工具電源並取出電池組，然後再使用如夾鉗等工具取出異物。用手取出異物可能會受傷，因為鋸片會伴隨取出異物的動作而移動。
- 安裝或拆卸刀片保護罩時，小心不要傷到手。

電氣及電池安全

- 避免危險環境。請勿在潮濕的場所或雨中使用工具。水若滲入工具將會增加觸電風險。
- 請勿將電池丟入火中。電池可能會爆炸。如需可能的特殊棄置說明，請查閱當地法規。
- 請勿開啟或破壞電池。流出的電解液為腐蝕性物質，會造成眼睛或皮膚受傷。若不慎吞下可能會中毒。
- 請勿在雨中或潮濕處為電池充電。
- 請勿於室外進行電池充電。
- 雙手潮濕時，請勿拿取充電器，包含充電器插頭及充電器端子。

維護與存放

- 工具停止進行維修、檢查或存放時，請關閉工具開關並取下電池組，並確保所有運動部件皆已停止。進行任何檢查及調整等工作前，請先讓工具冷卻。
- 存放前，請務必使工具充分冷卻。
- 不使用時，請在工具上安裝刀片保護罩，並將工具存放在兒童接觸不到的室內乾燥高處或加鎖位置。
- 細心保養本工具。使切割邊緣保持尖銳與清潔，以發揮最佳性能，並降低受傷風險。請遵循本說明書指示進行配件的潤滑及更換。把手務必保持乾燥清潔，無沾附油脂。
- 檢查受損部件。進一步使用工具前，應仔細檢查已受損的零件，判斷其是否能夠正確運作，並發揮其應有功能。檢查運動部件是否對正及卡滯、零件是否破損、安裝是否正確，以及其他可能影響其運作的情況。當保護罩或其他部件受損時，應交由授權維修服務中心妥善修復或更換。
- 僅可使用原廠備件。
- 將本工具移至另一位置時（包括在工作期間），請務必拆下電池組並在刀片上安裝刀片保護罩。若刀片仍持續運轉，切勿攜帶或搬運本工具。切勿徒手抓握刀片。
- 工具在使用後及長期存放前，請進行清潔，尤其是刀片的部份。在刀片上稍微塗抹低黏度油，然後裝上刀片保護罩。
- 請勿將電池棄於火中。否則會導致電池爆炸。有關適用的廢棄處理指南，請參照當地法規。
- 請勿打開或拆解電池。洩漏的電解質具有腐蝕性，可能會造成眼睛或皮膚損傷。若吞嚥，則可能中毒。

11. 請勿在雨中或潮濕處為電池充電。

妥善保存這些手冊。

警告：請勿為圖方便或因對產品足夠熟悉（因重複的使用）而不嚴格遵循產品的安全規則。使用不當或不遵循本說明書中的安全規則會導致嚴重的人身傷害。

部件說明

► 圖片1: 1. 刀片保護罩 2. 角度調整手柄
3. 蓋子 4. 刀片 5. 滑桿 6. 前把手

裝配

警告：組裝或調整設備前，請關閉馬達並取下電池組。否則，機器可能會意外啟動並導致受傷。

警告：組裝或調整設備時，請始終將其放倒。組裝或調整設備時直立放置設備可能造成嚴重人身傷害。

警告：遵循「安全警告」一節以及動力裝置使用說明書中的警告和注意事項。

組裝組件

1. 拆下組件護蓋。

► 圖片2: 1. 護蓋

2. 將外管插入組件，讓外管上的開孔對準組件上的開孔。先鎖緊短螺栓，再鎖緊長螺栓以固定外管。

► 圖片3: 1. 開孔 2. 外管 3. 螺栓（短）
4. 螺栓（長）

注：鎖緊螺栓時，請施加 4.0 - 6.0 N·m 的鎖緊扭力。

安裝連接管

小心：安裝完成後，務必檢查組件外管已確實固定。安裝不當可能造成組件自動力裝置脫落並導致人員受傷。

將連接管安裝於動力裝置。

1. 取下外管末端的蓋子。

► 圖片4: 1. 外管 2. 蓋子

注意：蓋子請勿丟棄，於收納本組件時會用到。

2. 將固定桿朝組件轉動。

► 圖片5: 1. 固定桿

3. 將插銷對齊動力裝置上的箭頭標誌。插入外管，直到釋放按鈕彈出。

確認位置線位於動力裝置上的箭頭標誌尖端，且動力裝置上的箭頭標誌及外管上的箭頭標誌彼此相對。

► 圖片6: 1. 釋放按鈕 2. 動力裝置上的箭頭標誌 3. 銷 4. 位置線 5. 外管上的箭頭標誌

4. 將固定桿朝動力裝置轉動。

► 圖片7: 1. 固定桿

確認固定桿表面與連接管平行。

注意：請勿在未插入組件外管的情況下鎖緊固定桿。否則固定桿可能會過度鎖緊傳動軸的入口並造成損壞。

若要取下組件外管，請將固定桿朝組件轉動，並於壓下釋放按鈕的同時拉出外管。

► 圖片8: 1. 釋放按鈕 2. 固定桿 3. 連接管

安裝或拆卸刀片

小心：更換刀片時，請務必配戴手套，以免雙手直接觸碰到刀片。

小心：在拆下或安裝刀片前，請裝上刀片保護罩。

注意：更換刀片時，請勿拭去曲柄上的潤滑脂。

注：安裝或拆卸刀片前，請先展開組件，使組件和管件呈筆直。

1. 將刀片保護罩裝在刀片上。

► 圖片9: 1. 刀片保護罩

2. 將組件倒置。

3. 使用六角扳手拆下 4 支螺栓，然後拆下外蓋及板子（大）。

► 圖片10: 1. 螺栓 2. 外蓋 3. 板子（大）

4. 使用開槽螺絲起子轉動曲柄，使曲柄位於圖中所示的方向。

► 圖片11: 1. 曲柄

5. 卸下 2 支螺栓。

► 圖片12: 1. 螺栓

6. 拆下氈墊片（短）、氈墊片（長）、板子（小）及套筒。

▶ 圖片13: 1. 氈墊片（短） 2. 氈墊片（長） 3. 板子（小） 4. 套筒

7. 拆下組件的刀片。

▶ 圖片14

8. 拆下刀片保護罩，然後裝在新的刀片上。

9. 拆下刀片的防塵裝置，並將其安裝至新刀片上圖中所示的位置。

▶ 圖片15: 1. 防塵裝置

10. 將步驟 5 取下的螺栓，穿過刀片保護罩上的開孔，插入刀片上的開孔。

▶ 圖片16: 1. 開孔 2. 螺栓

11. 在曲柄周圍塗抹少量的潤滑油。將刀片安裝至組件。

▶ 圖片17

12. 將套筒、板子（小）安裝至刀片，然後鎖緊螺栓。

▶ 圖片18: 1. 螺栓 2. 板子（小） 3. 套筒

13. 將在步驟 10 插入刀片上開孔的螺栓拆下，然後將其鎖緊以固定刀片。

14. 安裝氈墊片（短）和氈墊片（長）。

▶ 圖片19: 1. 氈墊片（短） 2. 氈墊片（長）

15. 安裝板子（大）和外蓋，然後鎖緊 4 支螺栓。

▶ 圖片20: 1. 螺栓 2. 外蓋 3. 板子（大）

注意： 如果刀片無法正常運作，則刀片並未與曲柄正確接合。拆下刀片，然後重新安裝。

注意： 若如曲柄等非刀片的零件已磨損，請洽詢 Makita 授權服務中心要求更換或維修零件。

功能描述

⚠️ 小心： 調節或檢查工具功能之前，請務必關閉工具電源開關並取下電池組。

調整切割角度

⚠️ 小心： 在調整切割角度之前，請務必關閉工具電源。

頭部角度可進行 13 段調整。請依照下列步驟變更頭部角度。

1. 握住角度調整手柄，並在拉動滑桿的同時調整頭部角度，然後放開滑桿。

▶ 圖片21: 1. 滑桿 2. 角度調整手柄

2. 輕輕移動頭部，直到其發出喀嗒聲並鎖入定位為止。

注： 操作工具前，請確認頭部已穩固鎖定。

操作

⚠️ 警告： 遵循「安全警告」一節以及動力裝置使用說明書中的警告和注意事項。

操作工具

⚠️ 警告： 請勿在靠近任何電氣線路的地方使用工具。碰觸電氣線路或在電氣線路附近使用工具可能會造成嚴重傷害或因觸電而死亡。

⚠️ 警告： 使雙手遠離刀片。

⚠️ 警告： 任何時候都務必特別小心地控制工具。切勿使工具偏向自身或工作區域中的任何人員。工具失控會對鄰近和操作人員造成嚴重的傷害。

⚠️ 小心： 盡量避免在非常熱的天氣下操作本工具。操作本工具時，請注意您的身體狀況。

⚠️ 小心： 進行修剪時，請小心不要意外接觸到金屬籬笆或其他堅硬物體。刀片可能斷裂，使人員受傷。

⚠️ 小心： 請小心勿使刀片接觸地面。本工具可能回彈，使人員受傷。

⚠️ 小心： 請勿將本籬笆修剪機伸得過遠，這樣做極為危險，尤其在梯子上作業時更是如此。請勿站在任何會晃動或不穩固的地方工作。

注意：請勿試圖以本工具切割直徑超過**10 mm**的樹枝。利用樹枝切割器將樹枝切割至低於切割高度**10 cm**後，再使用本工具。

► **圖片22:** (1) 切割高度 (2) 10 cm

注意：請勿砍倒枯樹或類似的硬物。這樣做可能使本工具受損。

注意：請勿以刀片修剪草或雜草。刀片可能會被草或雜草纏住。

用雙手握持工具時，握住動力裝置的前手柄或組件的前把手，以及動力裝置的後把手。

► **圖片23:** 1. 前手柄 2. 後把手

按下保護鎖定桿時扣動開關扳機，然後往前移動工具。

► **圖片24**

基本操作方式如下：將刀片朝修剪方向傾斜，並以每公尺3至4秒的速度平穩緩慢移動。

► **圖片25**

如果要將籬笆的側邊修剪平整，請由下往上修剪。

► **圖片26**

如果要修剪出圓形（例如修剪黃楊木或杜鵑等），請從根部往頂部修剪，以形成漂亮的弧度。

► **圖片27**

保養

警告：在檢查或保養設備前，請關閉馬達並取下電池組。否則，機器有可能意外啟動並導致重傷。

警告：檢查或保養本設備時，請一律將其放倒。組裝或調整設備時直立放置設備可能造成嚴重人身傷害。

警告：遵循「安全警告」一節以及動力裝置使用說明書中的警告和注意事項。

小心：進行檢查和保養時，請配戴手套。

注意：切勿使用汽油、苯、稀釋劑、酒精或類似物品清潔工具。否則可能會導致工具變色、變形或出現裂縫。

為了保證產品的安全與可靠性，任何維修或其他維修保養工作需由Makita（牧田）授權的或工廠維修服務中心來進行。務必使用Makita（牧田）的更換部件。

清潔本工具

清潔本工具時，請以乾布或泡過肥皂水並擠乾的布拭去灰塵。

注意：切勿使用汽油、苯、稀釋劑、酒精或類似物品清潔工具。否則可能會導致工具變色、變形或出現裂縫。

刀片保養

操作前或操作時每隔一小時，請在刀片上塗抹低黏滯性的油脂（機油或噴霧型潤滑油）。

► **圖片28**

操作後，以鋼絲刷去除刀片兩面的灰塵，並以布將灰塵拭去，然後為刀片塗上低黏性油（機油或噴霧式潤滑油）。

► **圖片29**

注意：請勿在水中清洗刀片，這樣做可能會使本工具生鏽或損壞。

注意：灰塵和腐蝕將會造成刀片的過度摩擦，從而縮短每次電池充電後的操作時間。

存放

將刀片保護罩裝在刀片上，以免刀片外露。請將本工具存放在兒童接觸不到的地方。請勿將本工具存放在潮濕有雨的地方。存放由動力裝置分離之組件時，請蓋上外管末端的封蓋。

► **圖片30**

潤滑移動部件

注意：按照頻度說明塗抹一定量的油脂。否則不充分的潤滑可能會損壞運動部件。

驅動軸：

每操作 30 小時塗抹潤滑脂（Makita 潤滑脂 N No.2 或同級品）。

► **圖片31**

注：Makita 原廠潤滑脂可向 Makita 當地經銷商購買。

潤滑油潤滑

潤滑間隔：每操作 25 小時

1. 取下開孔中的螺栓以進行潤滑。

▶ 圖片32: 1. 螺栓

2. 取下管裝潤滑油的蓋子。將管裝潤滑油出口對齊外蓋上的開孔，然後轉動管裝潤滑油，將其出口按入開孔。

▶ 圖片33: 1. 管裝潤滑油 2. 開孔

3. 將潤滑油擠入工具（參考值：大約 3 g）。

4. 取下管裝潤滑油。

5. 鎖緊螺栓。

磨削刀片

注意：若刀片因磨削而大幅變形，請將刀片更換為新品。

1. 將電池組安裝至工具。

2. 開啟並啟動工具，確認上刀片及下刀片呈交錯配置。

▶ 圖片34

3. 關閉工具並從工具取下電池組。

4. 將銼刀的角度設為 45°，然後用銼刀從 3 個方向磨削上刀片。

▶ 圖片35: (1) 銼刀 (2) 45°

小心：磨削刀片前，請務必關閉工具電源開關並取下電池組。

5. 將工具倒置，然後用磨石磨平刀片的毛刺。

▶ 圖片36: 1. 磨石

6. 將銼刀的角度設為 45°，然後用銼刀從 3 個方向磨削下刀片。


7. 將工具恢復正常位置，然後用磨石磨平刀片的毛刺。

故障排除

請求維修之前先自行檢查。如果您發現本手冊中未作說明的问题，請勿拆解工具。應詢問 Makita（牧田）授權的維修服務中心。務必使用 Makita（牧田）的更換部件進行維修。

異常狀態	可能原因（故障）	糾正措施
馬達未啟動。	-	請參閱動力裝置的使用說明書。
馬達很快停止。	-	請參閱動力裝置的使用說明書。
馬達速度未變快。	-	請參閱動力裝置的使用說明書。
刀片無法移動： ⇒ 立即停止機器！	異物卡在刀片間。	關閉工具並取下電池組，再使用鉗子等工具取出異物。
	驅動系統無法正常工作。	請當地授權的維修服務中心進行維修。
異常振動： ⇒ 立即停止機器！	刀片破損、彎曲或磨損。	更換刀片。
	驅動系統無法正常工作。	請當地授權的維修服務中心進行維修。
刀片及馬達無法停止： ⇒ 立即卸下電池組！	電氣故障。	拆下電池組並請當地授權的維修服務中心進行維修。

選購附件

 **小心：** 這些配件或組件為本說明書所列的 **Makita**（牧田）機器專用。如使用其他廠牌的配件或組件，可能會發生人員受傷的危險。僅可將選購配件或組件用於其規定目的。

如您需要瞭解更多關於這些選購附件的信息，請諮詢當地的 **Makita**（牧田）維修服務中心。

- 刀片總成
- 管裝潤滑油
- **Makita**（牧田）原裝電池和充電器

注： 本列表中的部分部件，可能為產品包裝內隨附的標準配件。內容可能因國家而異。

Makita Europe N.V. Jan-Baptist Vinkstraat 2,
3070 Kortenberg, Belgium

Makita Corporation 3-11-8, Sumiyoshi-cho,
Anjo, Aichi 446-8502 Japan

www.makita.com

885A28-914
EN, FR, DE, IT, NL,
ES, PT, DA, EL, TR,
SV, NO, FI, LV, LT,
ET, PL, HU, SK, CS,
SL, SQ, BG, HR,
MK, SR, RO, UK,
RU, KK, ZHTW
20221208